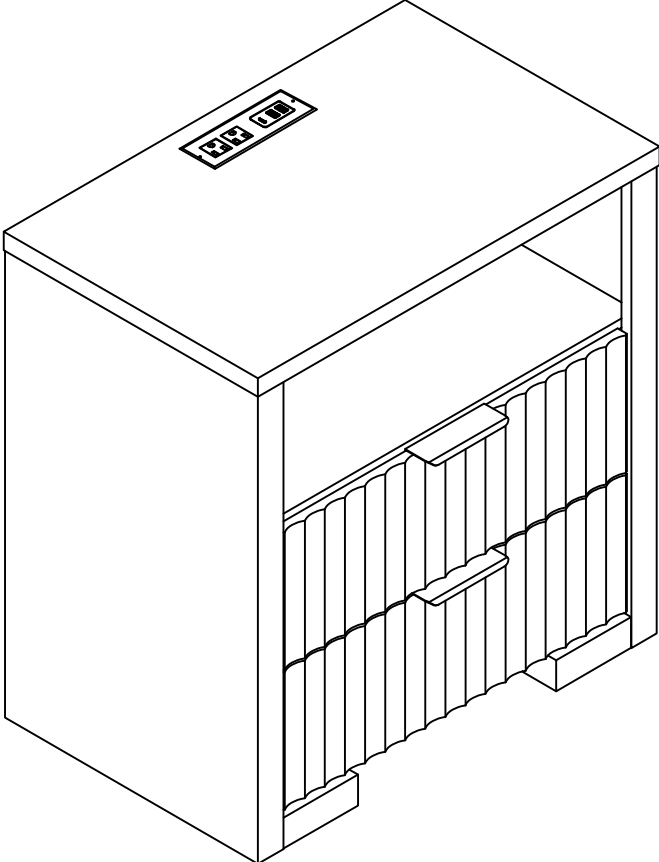


Instruction Manual

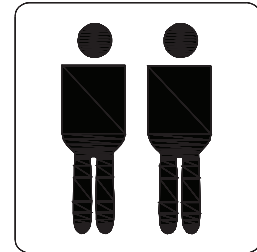
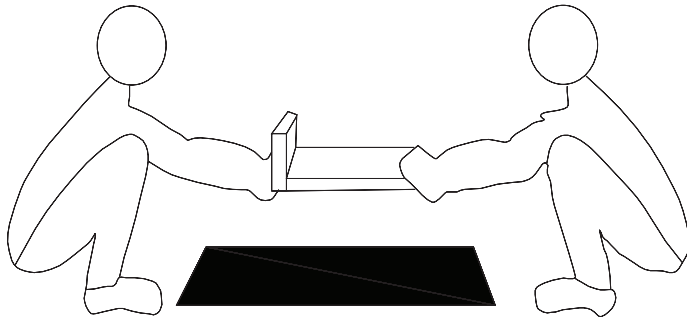


General Guidelines

- Please read the following instruction carefully and use the product accordingly.
- Please keep this manual and hand it over when you transfer the product.
- This summary may not include every detail of all variations and considered steps. Please contact us when further information and help needed.

Notes

- The product must be assembled and used in accordance with the provisions of the manual. Personal injury and damage to product may occur if products are used outside of their intended purposes and/or if product have been change/modified from their original design. The seller does not assume any responsibility or liability with respect to any injury/damage caused by incorrect assembly or improper use.
 - Avoid long-term exposure to humid environments to prevent mildew.
 - Keep the product away from fire sources and high temperatures. Do not expose the product to sunlight.
 - Do not place any hot objects on the surface of the product.
 - If there are any defective or missing parts after unpacking, please cease assembly immediately and contact us.
 - Please assemble the item on a spacious surface and do not place the unwrapped product directly on the ground to avoid product damage.
 - Please do not stand or sit on the wooden boards.
 - Please wear gloves during the assembly and/or disassembly process to avoid scratches from any sharp edges.
 - Please match the corresponding part and fitting based on the part number in the manual. If the part does not match with the fitting, please check the piece as specified in this manual.
 - During assembly, first loosely align all screws with the corresponding pre-drilled holes and then tighten the screws one by one.
 - Periodically inspect screw tightness while the product is in use. If necessary retighten to ensure structural integrity.
 - If you accidentally spill water or another liquid on the surface, immediately wipe clean with a dry towel.
- Please keep the product away from sharp, pointed objects and corrosive substances to prevent product damage.
- Please place this item on level, solid ground during use.



TIPS

1. When installing the product, use a soft surface (such as carpet or cardboard) to avoid scratching or damaging the surface of the product.
2. Please try to use a manual screwdriver instead of an electric screwdriver. A manual screwdriver can be used to better control the tightness of the screws.
3. Do not use glue.
4. The product is unstable before assembly. Please observe the product installation sequence and align all screws and screw holes before tightening.
5. The structure of this product may not meet the requirements of children climbing.

INTRODUCTION




Thank you very much for choosing our Pantry Cabinet.
Please read this manual before using the product, as it may contain some information you don't know. If you have any questions, please feel free to send us email.

PACKAGE CONTAINS

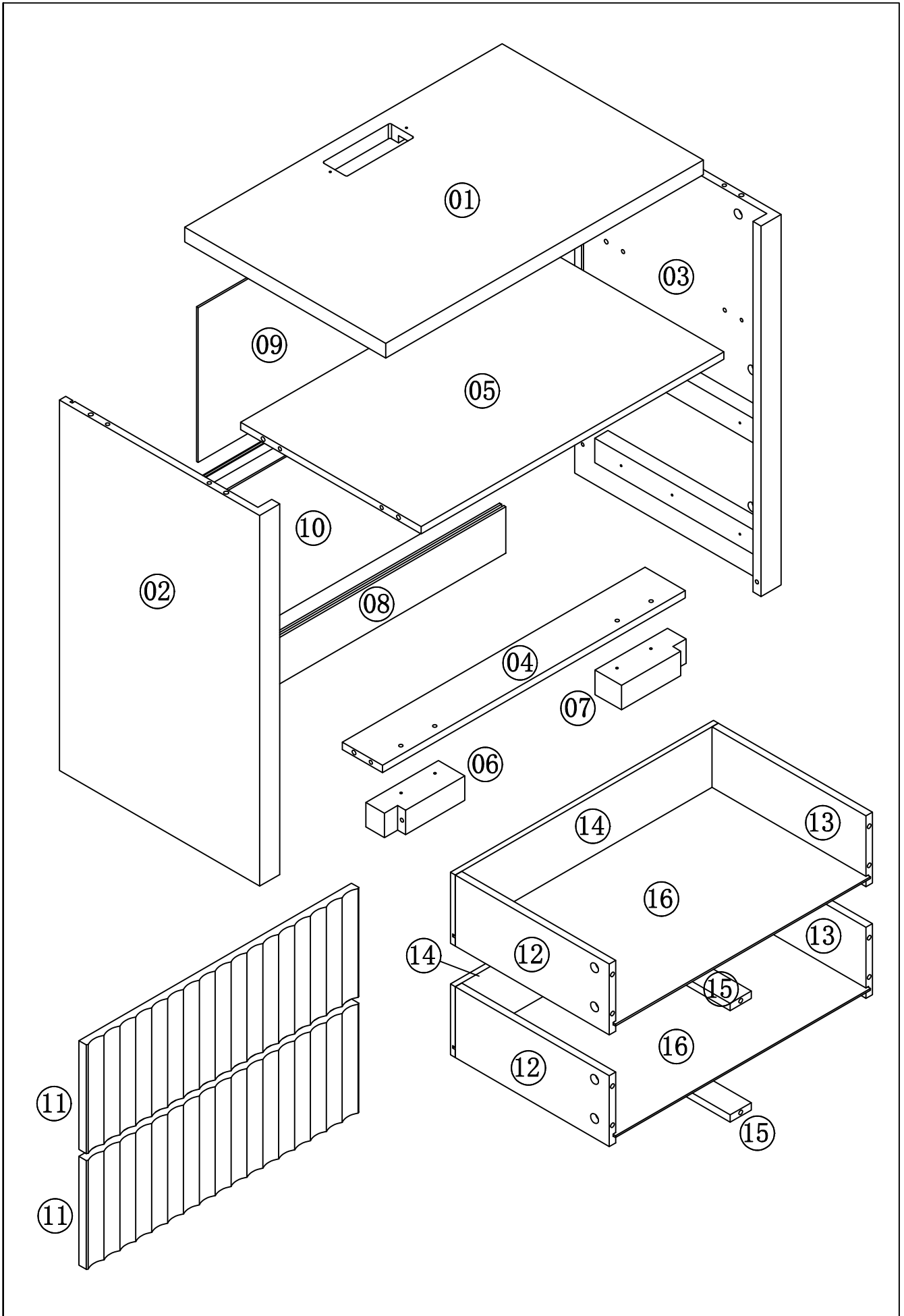
WARNING

Serious or fatal injury may occur from unexpected assembly or use.

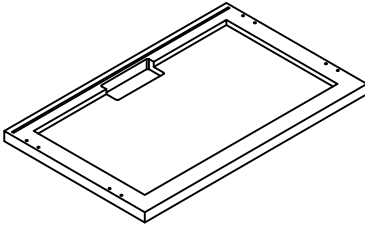
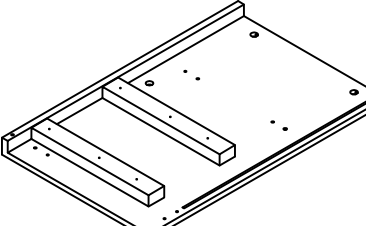
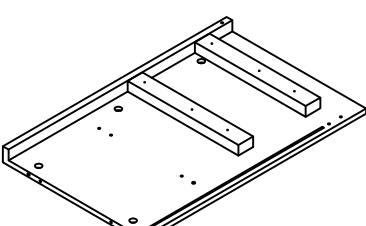
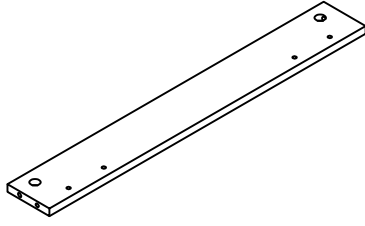
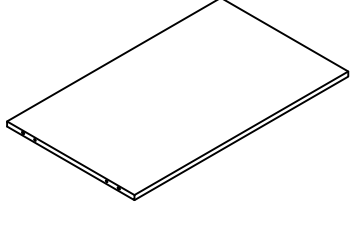
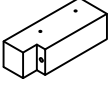
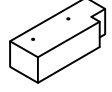
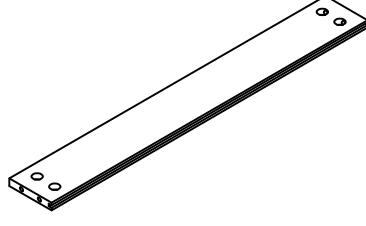
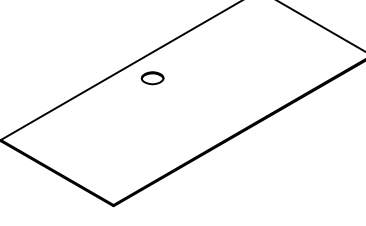
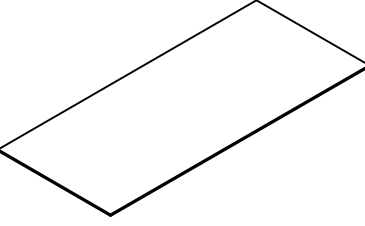
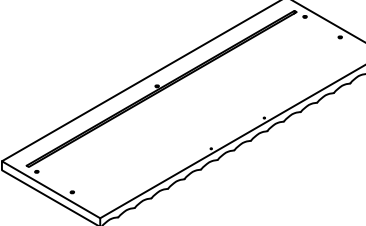
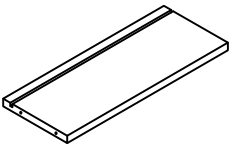
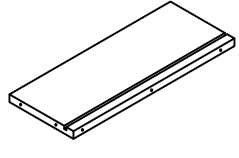
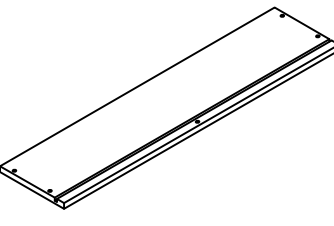
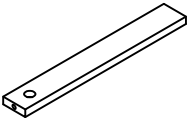
1. During assembly, keep all small parts out of reach of children. Swallowing or inhaling may be fatal.
2. To avoid the potential dangers of suffocation, please keep all parts and packaging (film, plastic bags, foam, etc.) away from babies and children.
3. Be sure to securely fix this product to the wall. Ensure that there are no hidden electrical wires, water pipes, or gas pipes in the wall where you plan to drill holes.
4. Children should not climb or play on the product in order to avoid tipping over the furniture and causing serious injury.
5. Use of tip-over restraints may only reduce, but not eliminate the risk of tip-over.
6. Unless specifically designed for that purpose, do not place heavy objects on this product.
7. Place the heaviest items on the lowest shelf.

 WARNING	
	<p>Children have died from furniture tipover. To reduce the risk of furniture tipover:</p> <ul style="list-style-type: none">• ALWAYS install tipover restraint provided.• NEVER put a TV on this product.• NEVER allow children to stand, climb or hang on drawers, doors, or shelves.• NEVER open more than one drawer at a time.• Place heaviest items in the lowest drawers.
	

Parts List(EN) / Teile Liste(DE)

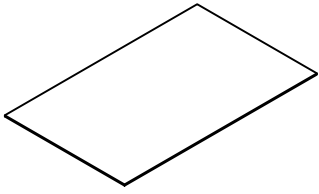


Parts List(EN) / Teile Liste(DE)

<p>①</p>  <p>1 PC</p>	<p>②</p>  <p>1 PC</p>	<p>③</p>  <p>1 PC</p>
<p>④</p>  <p>1 PC</p>	<p>⑤</p>  <p>1 PC</p>	<p>⑥</p>  <p>1 PC</p>
<p>⑦</p>  <p>1 PC</p>	<p>⑧</p>  <p>1 PC</p>	<p>⑨</p>  <p>1 PC</p>
<p>⑩</p>  <p>1 PC</p>	<p>⑪</p>  <p>2 PCS</p>	<p>⑫</p>  <p>2 PCS</p>
<p>⑬</p>  <p>2 PCS</p>	<p>⑭</p>  <p>2 PCS</p>	<p>⑮</p>  <p>2 PCS</p>

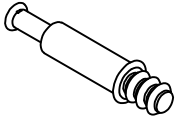

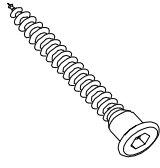
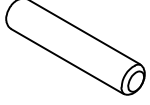
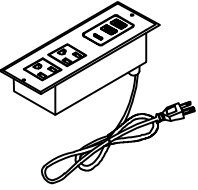
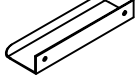
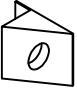



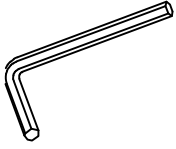
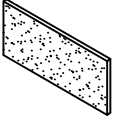
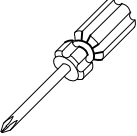

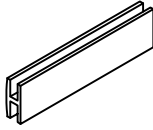
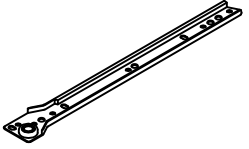
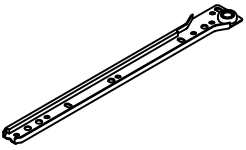
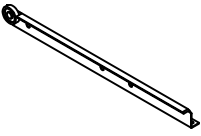
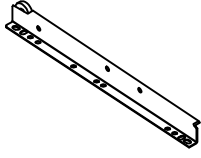
Parts List(EN) / Teile Liste(DE)

①6



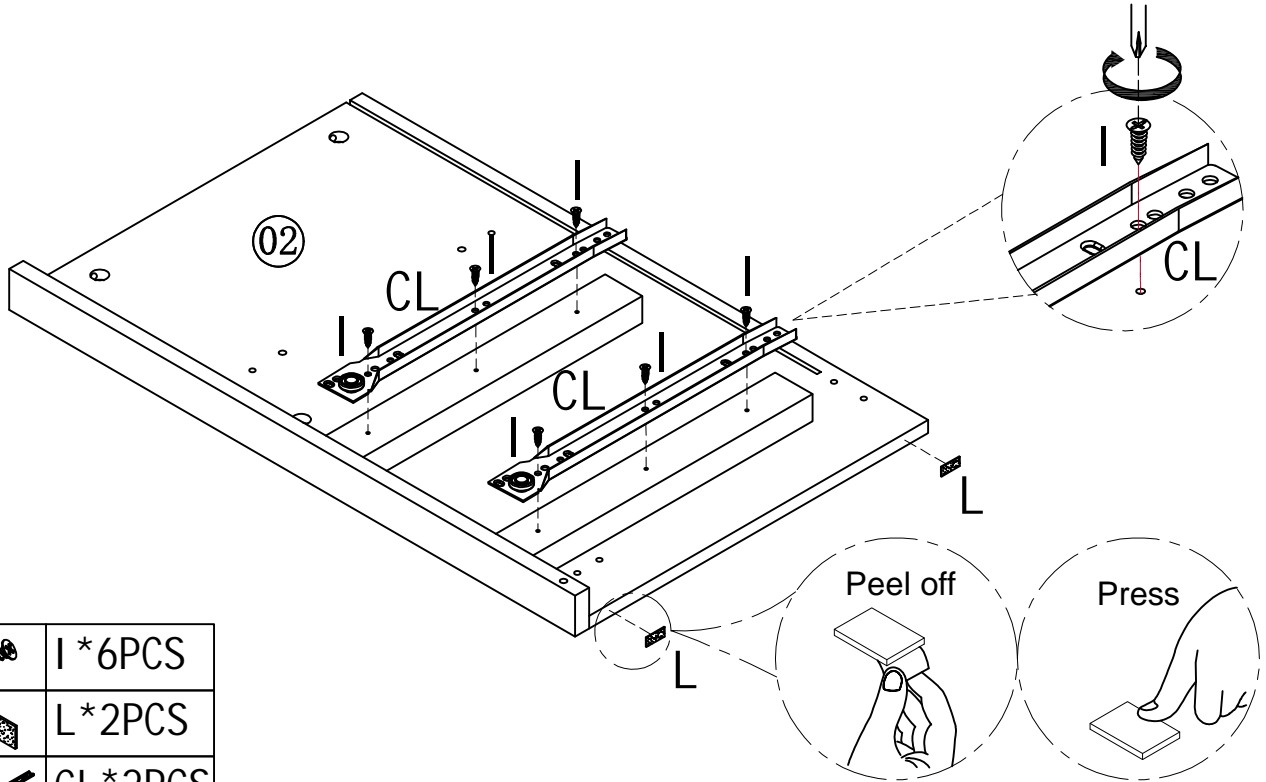
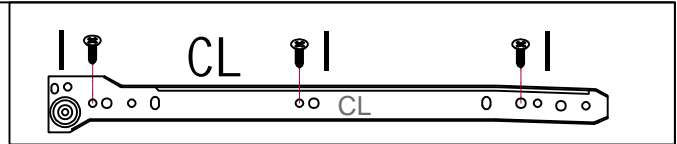
2 PCS




Hardware List(EN) / Teile Liste(DE)

<p>A</p>  <p>$\phi 6 * 35\text{mm}$ 24PCS</p>	<p>B</p>  <p>$\phi 15 * 10\text{mm}$ 24PCS</p>	<p>C</p>  <p>$\phi 5 * 45\text{mm}$ 4PCS</p>	<p>D</p>  <p>$\phi 6 * 30\text{mm}$ 12PCS</p>
<p>E</p>  <p>1PC</p>	<p>F</p>  <p>120*40*18 2PCS</p>	<p>G</p>  <p>13*13*11mm 12PCS</p>	<p>H</p>  <p>M3*16mm 12PCS</p>
<p>I</p>  <p>M3*12mm 30PCS</p>	<p>J</p>  <p>M4*35mm 10PCS</p>	<p>K</p>  <p>M4 1PC</p>	<p>L</p>  <p>35*12mm 4PCS</p>
<p>M</p>  <p>1PC</p>	<p>N</p>  <p>$\phi 21$ 24PCS</p>	<p>O</p>  <p>571mm 1PC</p>	<p>CL</p>  <p>L300mm 2PCS</p>
<p>CR</p>  <p>L300mm 2PCS</p>	<p>DL</p>  <p>L300mm 2PCS</p>	<p>DR</p>  <p>L300mm 2PCS</p>	

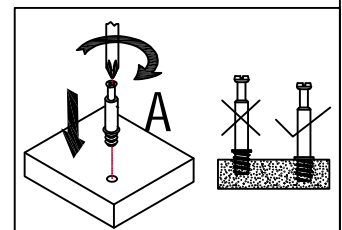
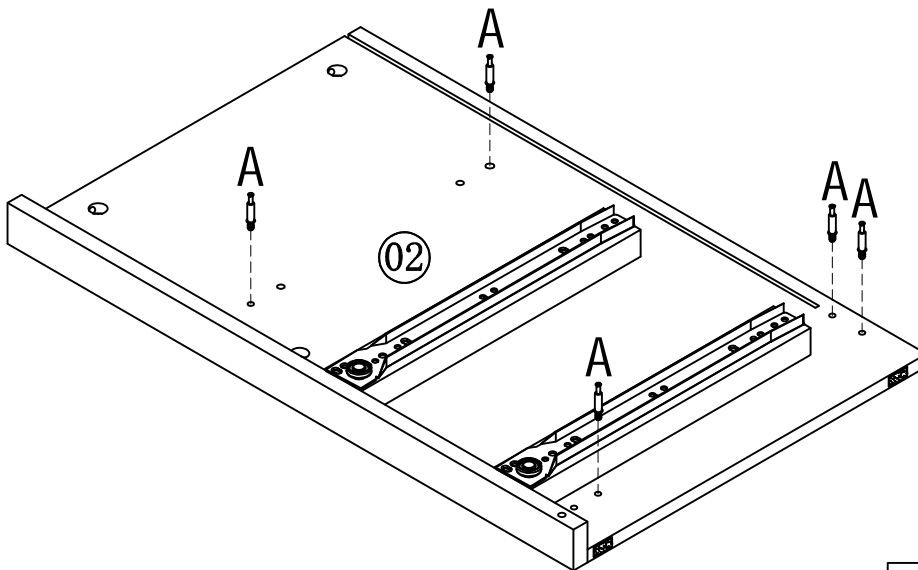
Assembly Steps(EN) / Montageschritte(DE)


STEP1



	I*6PCS
	L*2PCS
	CL*2PCS

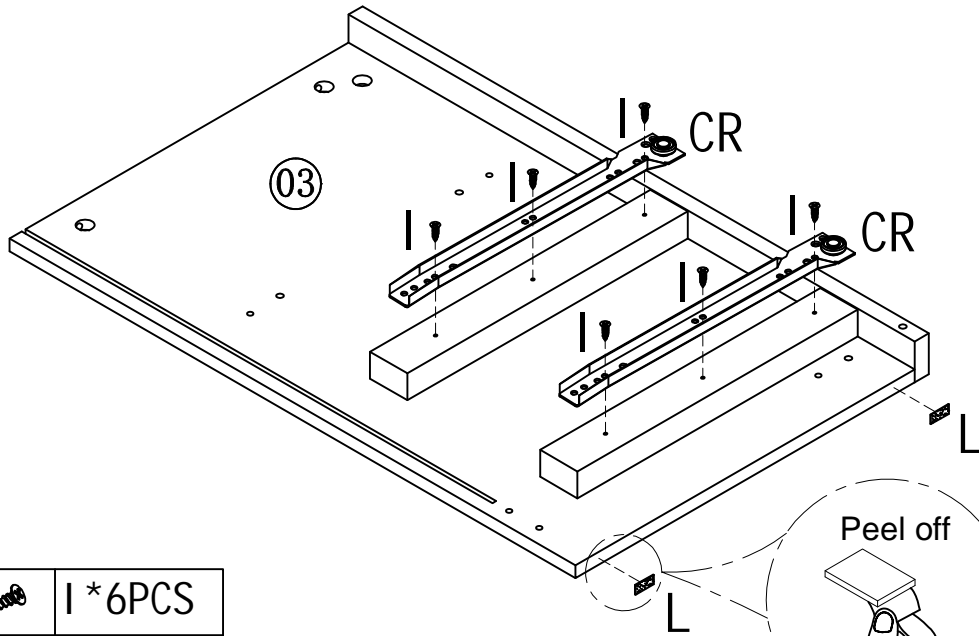
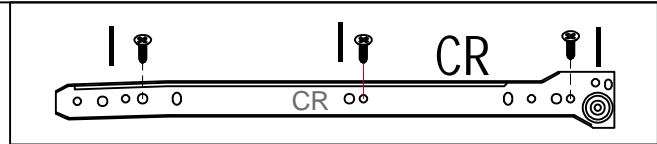
STEP2






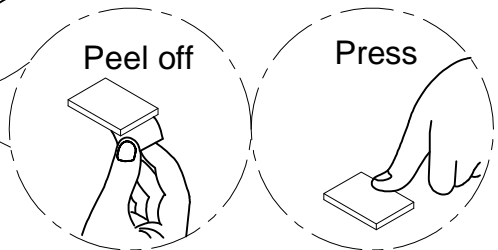
	A*5PCS
---	--------

Assembly Steps(EN) / Montageschritte(DE)

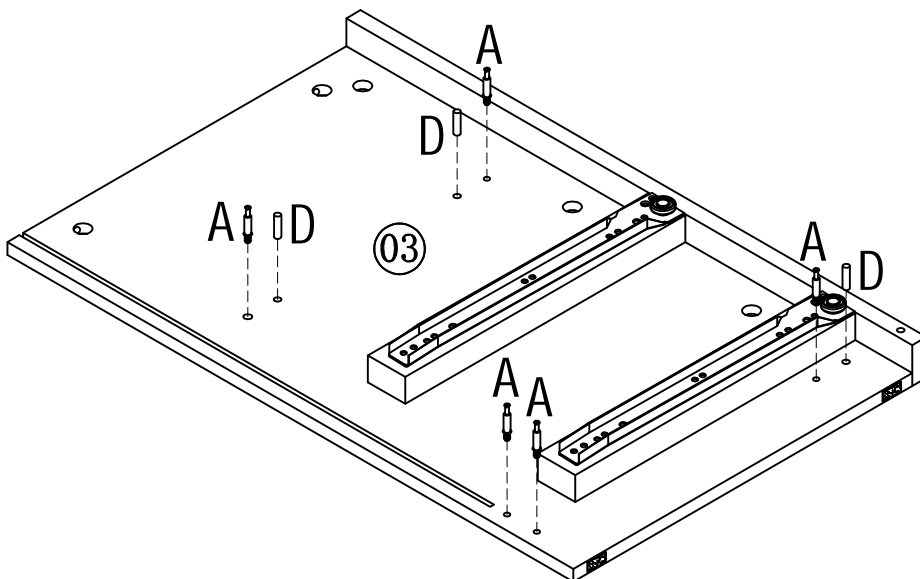
STEP3





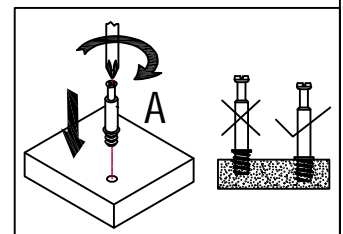
	I*6PCS
	L*2PCS
	CR*2PCS



STEP4

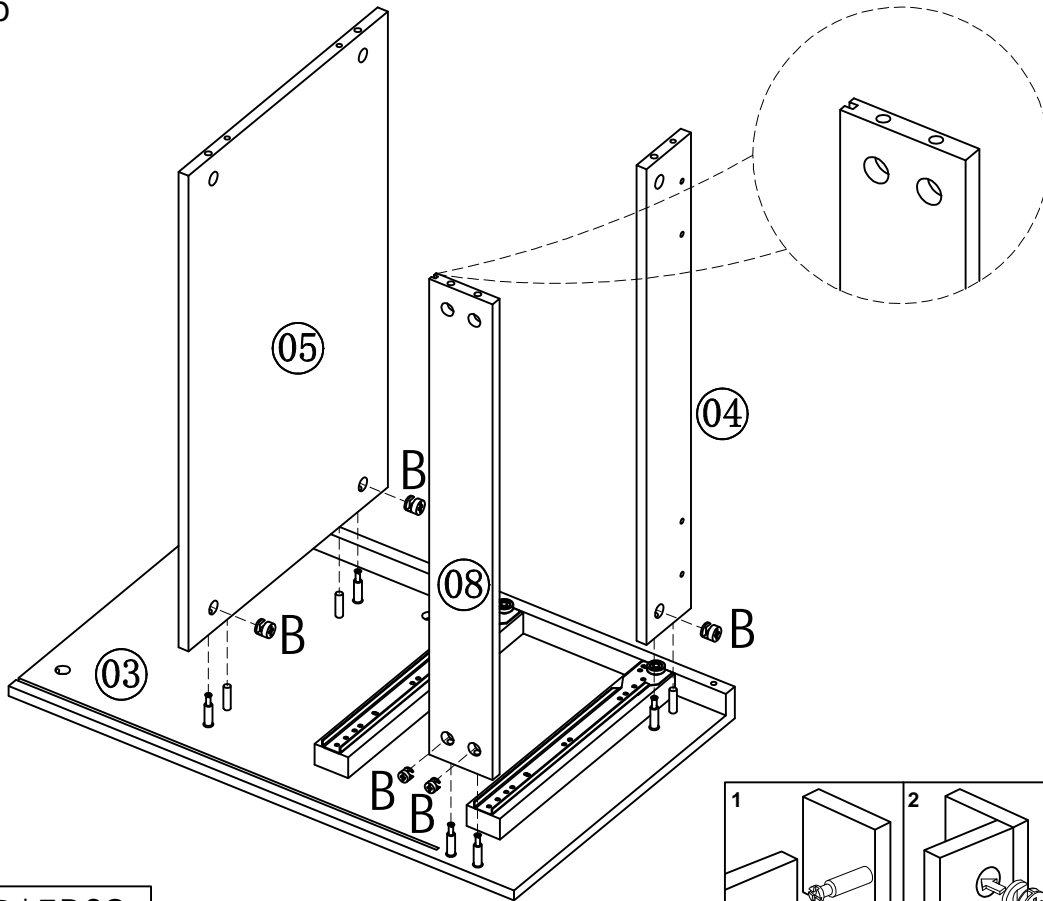


	A*5PCS
	D*3PCS

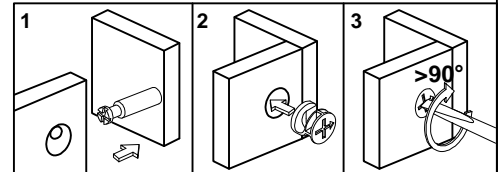


Assembly Steps(EN) / Montageschritte(DE)

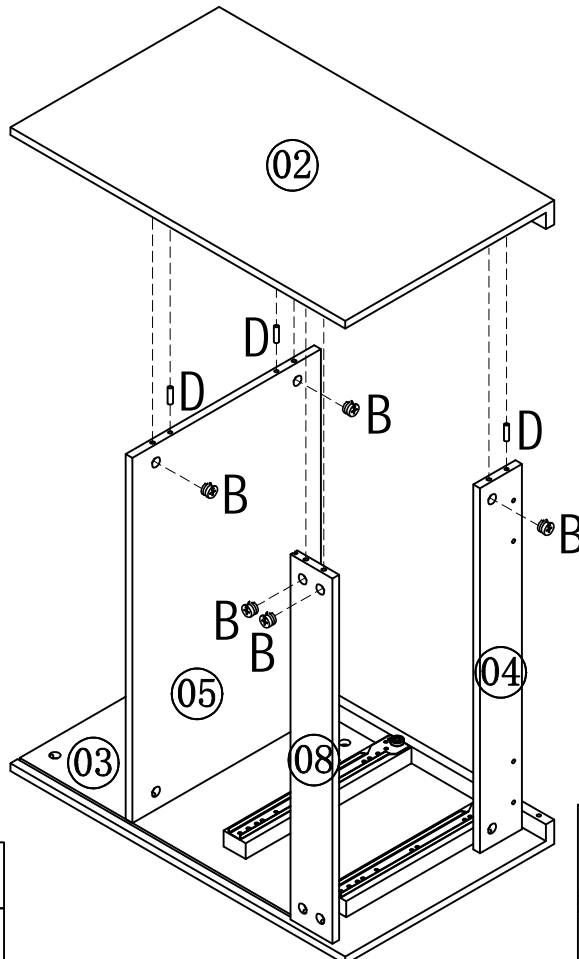
STEP5



B*5PCS



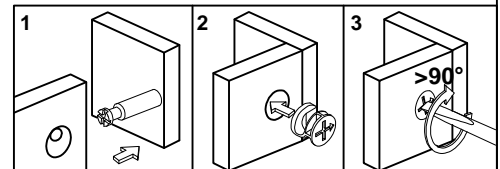
STEP6



B*5PCS

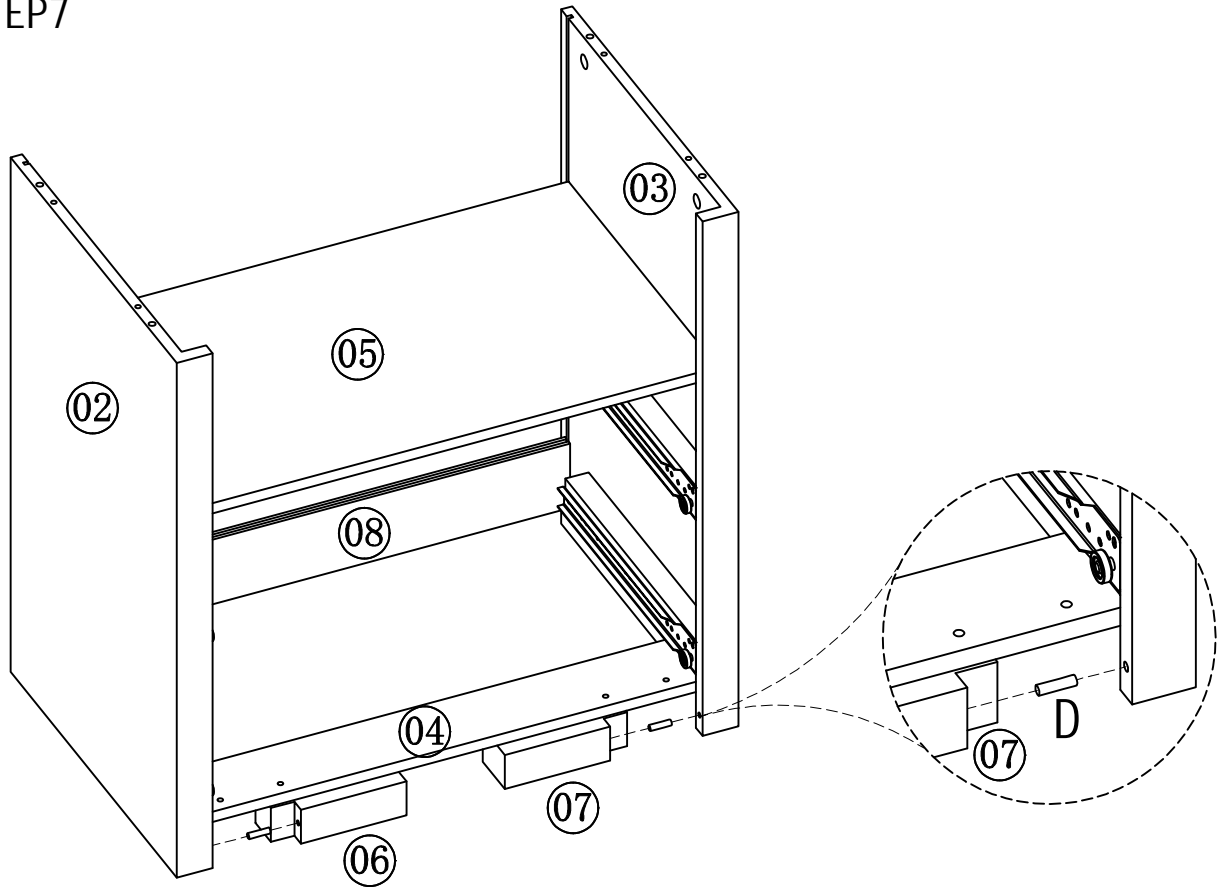


D*3PCS



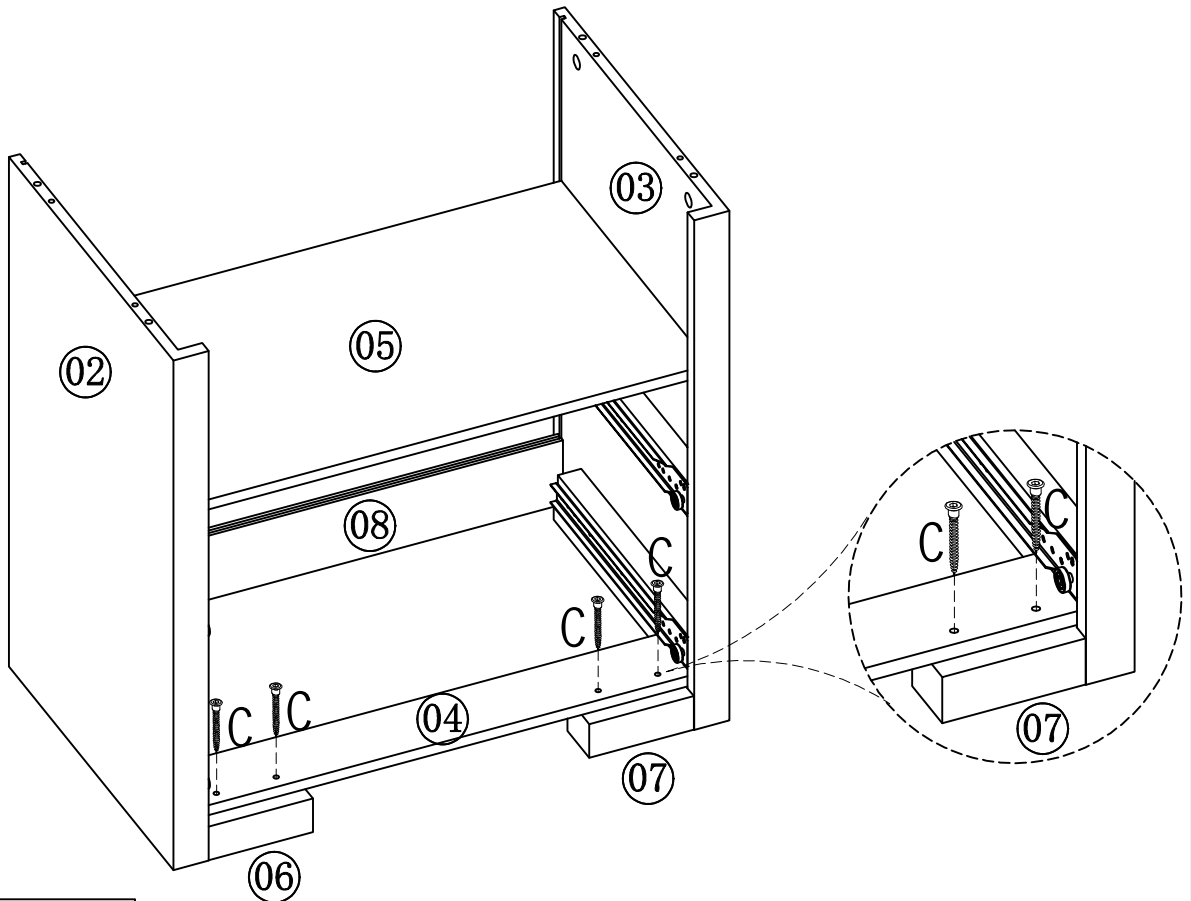
Assembly Steps(EN) / Montageschritte(DE)

STEP7



D*2PCS

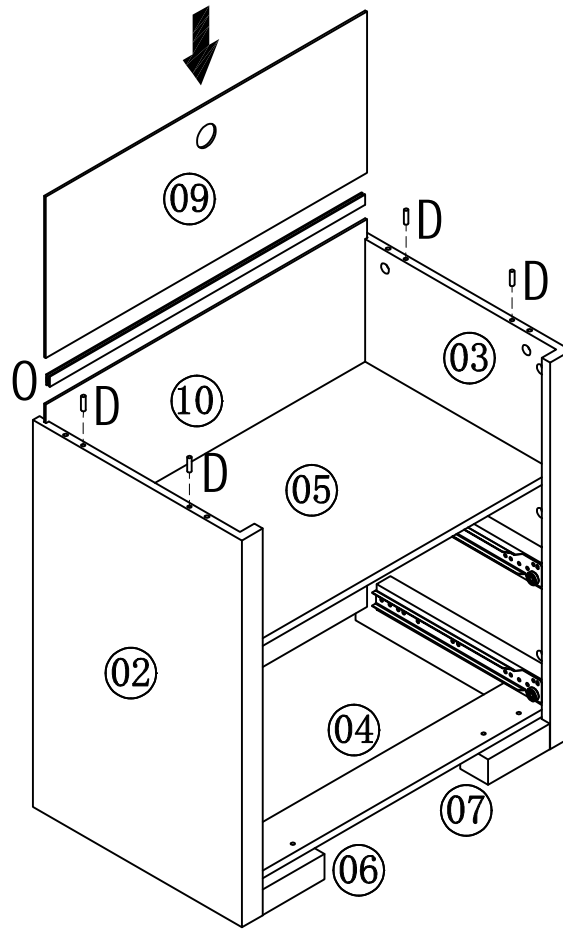
STEP8





C*4PCS

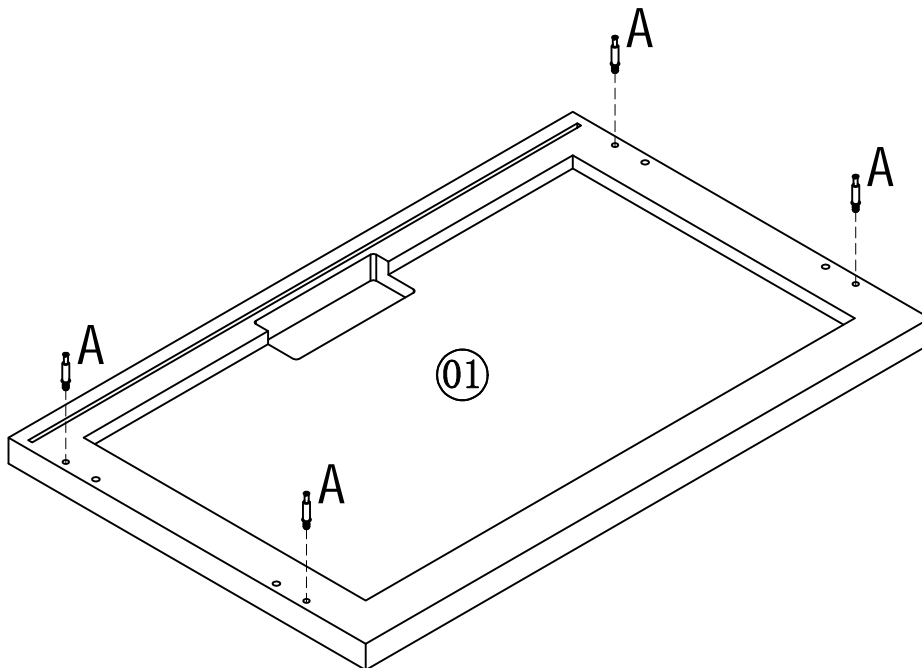
Assembly Steps(EN) / Montageschritte(DE)


STEP9

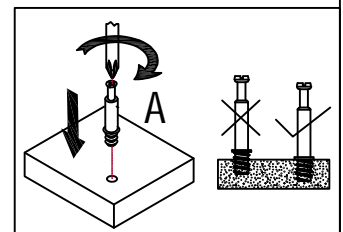


	D*4PCS
	0*1PC

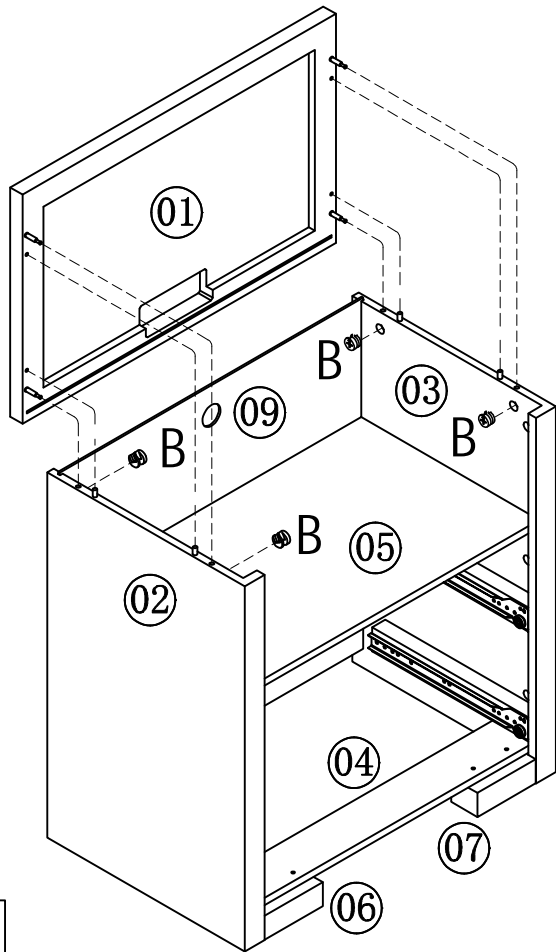
STEP10



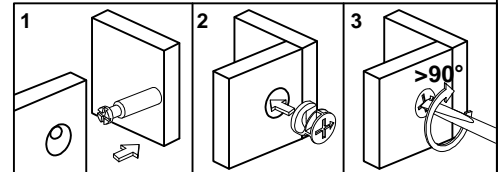
	A*4PCS
---	--------



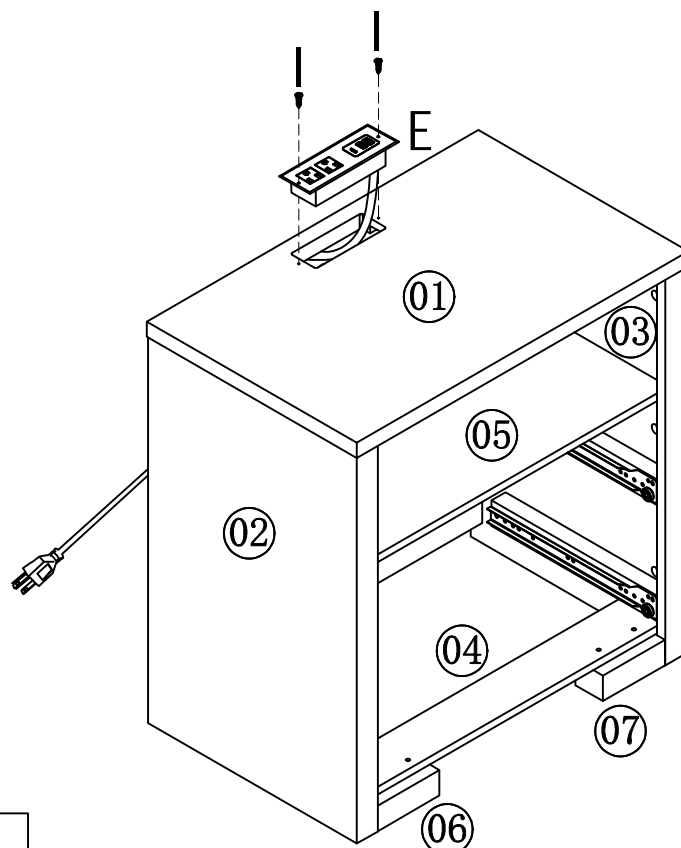
STEP11



B*4PCS



STEP12



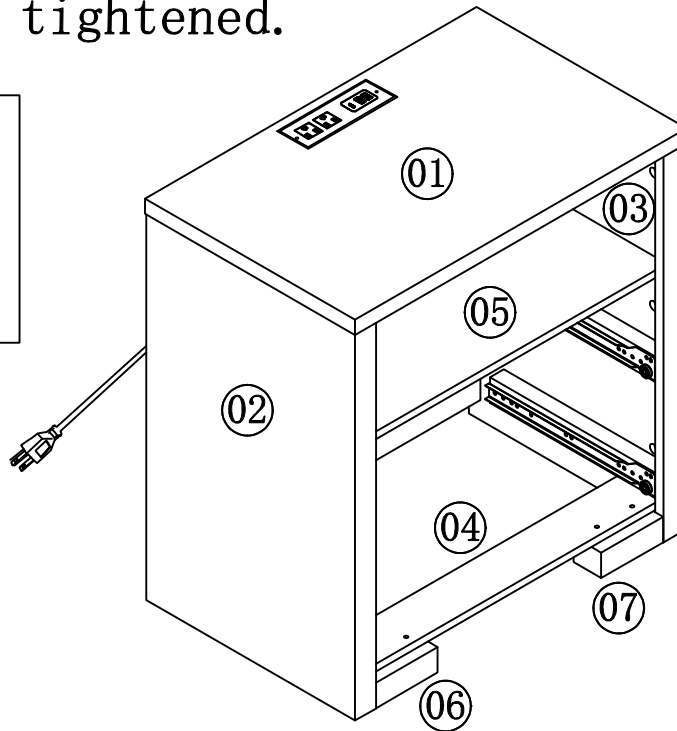
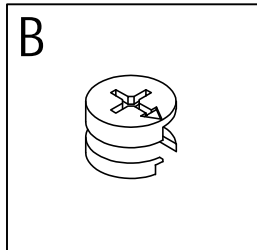
E*1PC



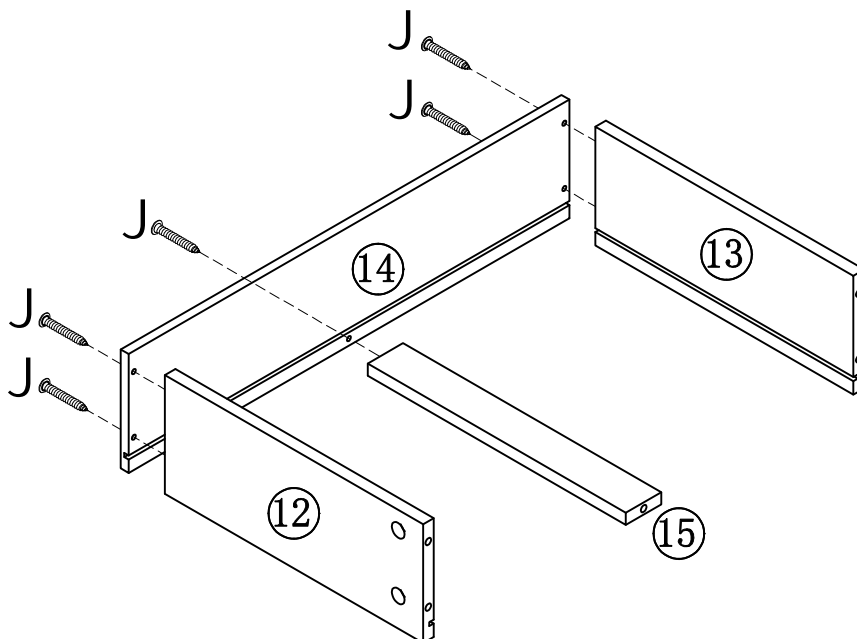
I*2PCS

STEP13

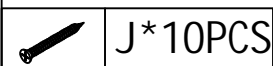
Verify that all Part B components are properly tightened.



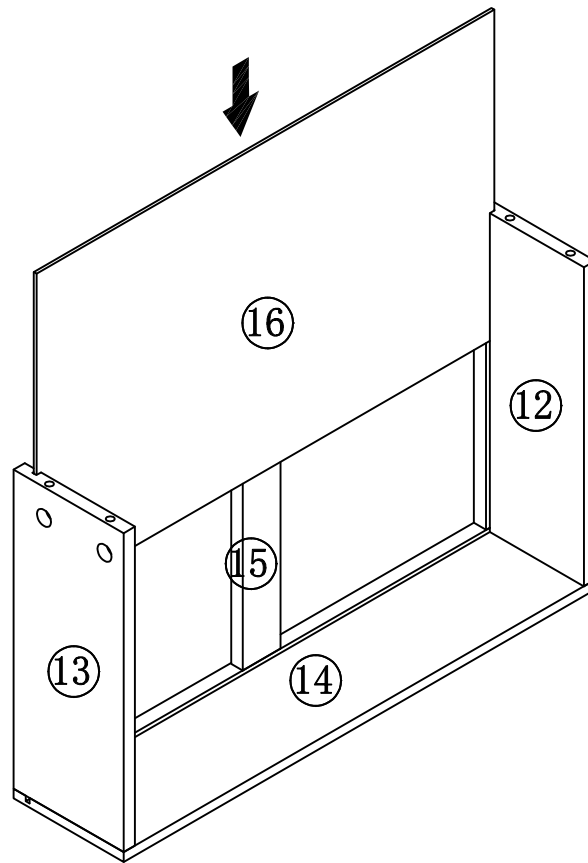
STEP14



X2

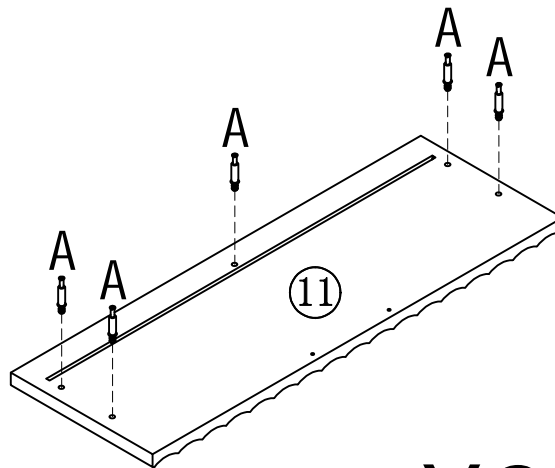


STEP15




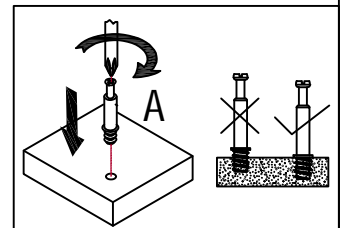
X2

STEP16

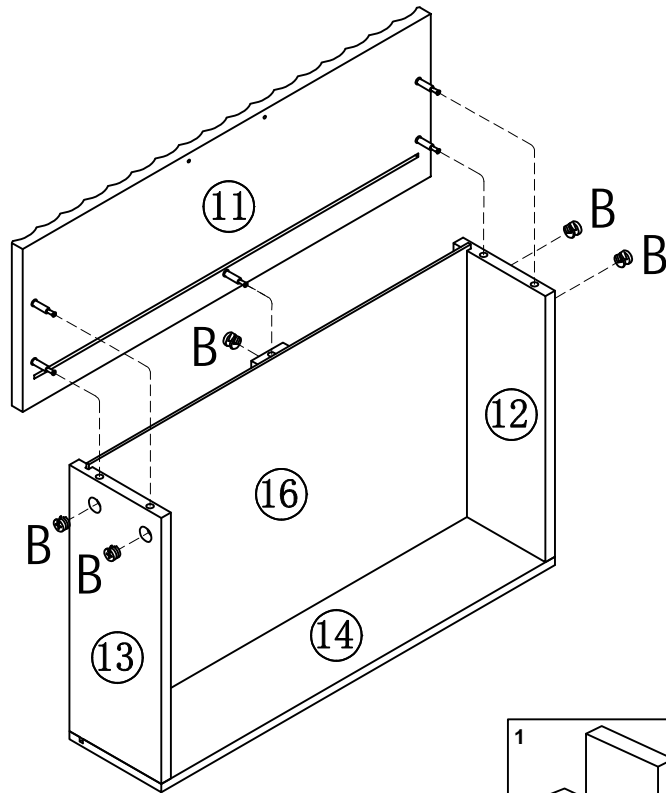


X2

 A*10PCS



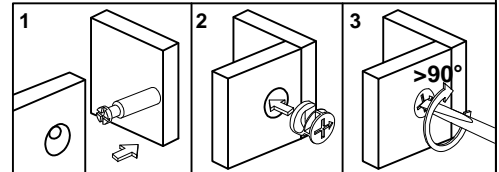
STEP17



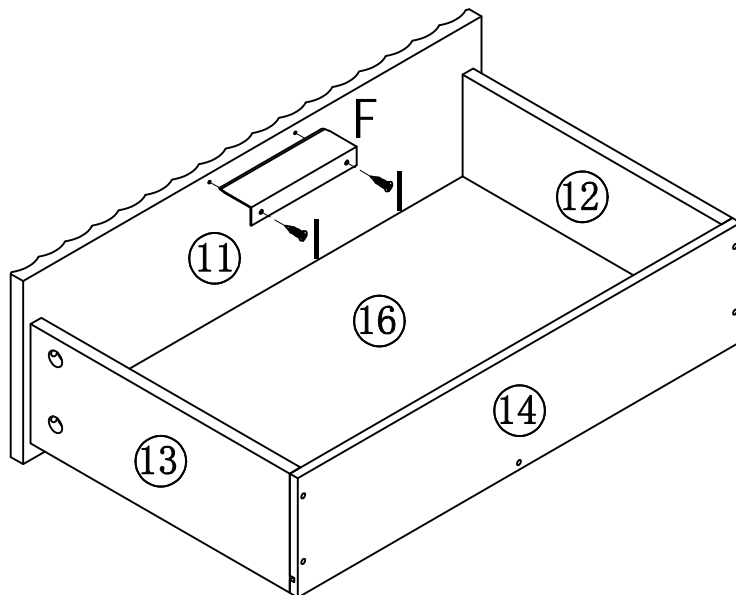
X2



B*10PCS



STEP18



X2

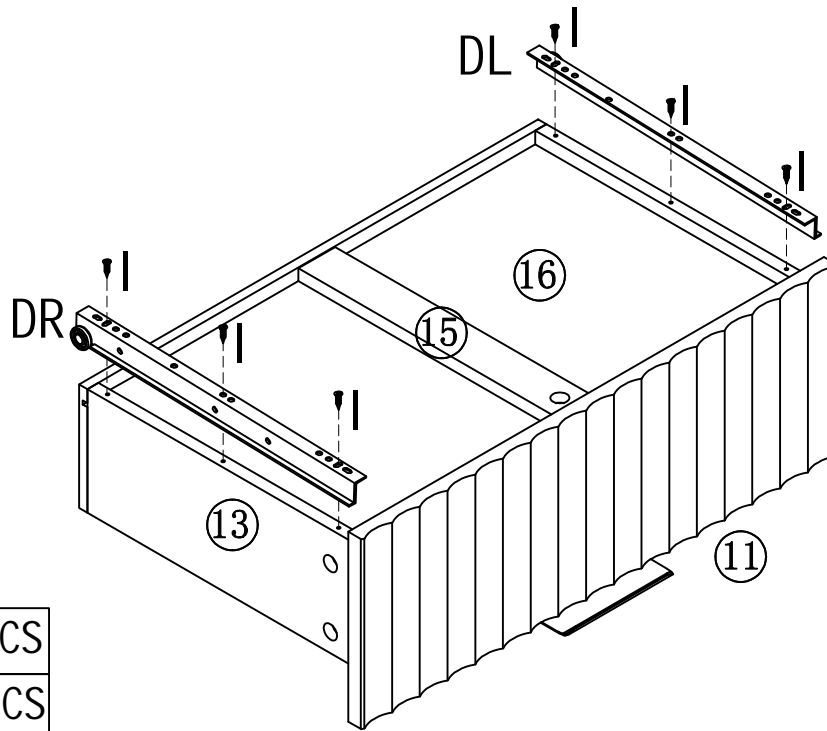
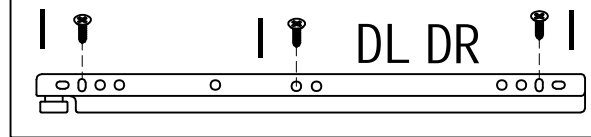


F*2PCS






I*4PCS

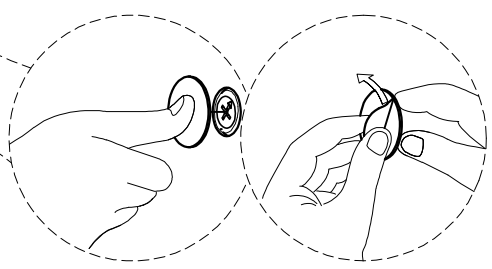
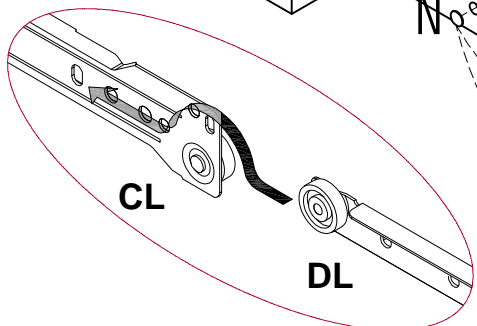
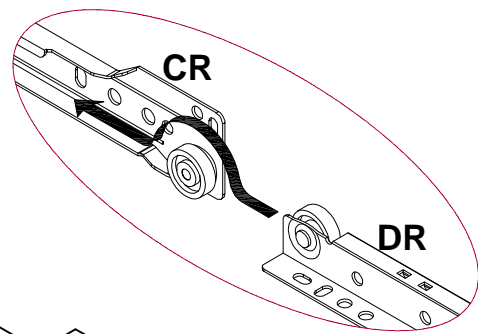
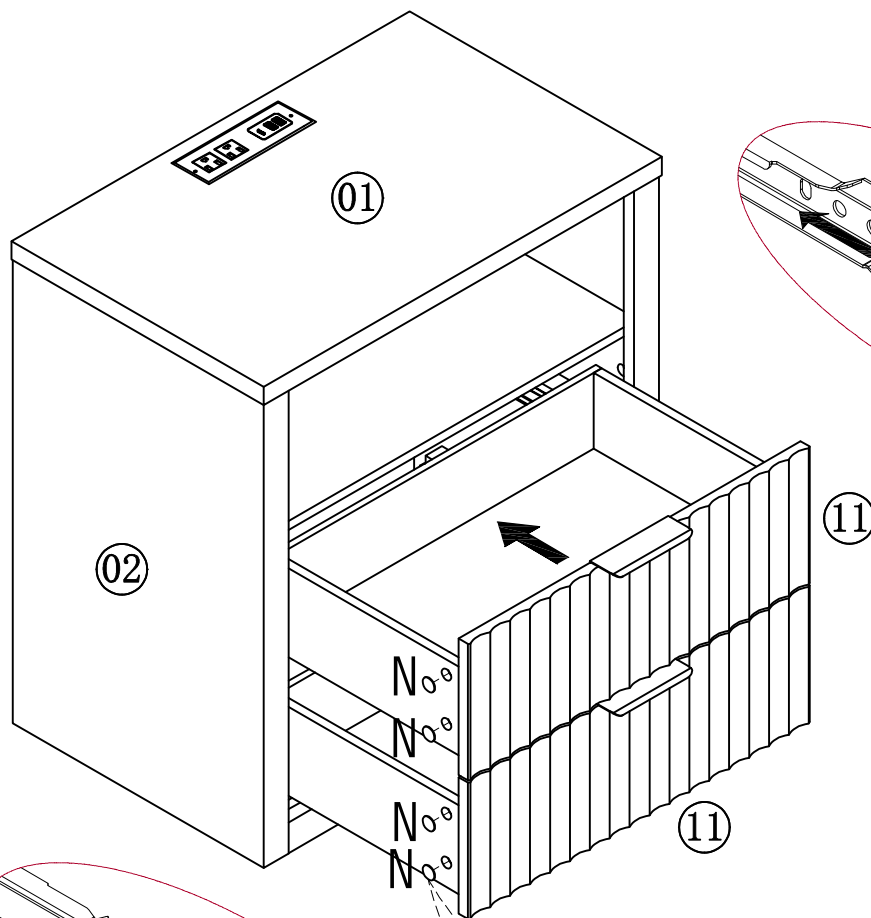
STEP19



X2

	I * 12PCS
	DL * 2PCS
	DR * 2PCS

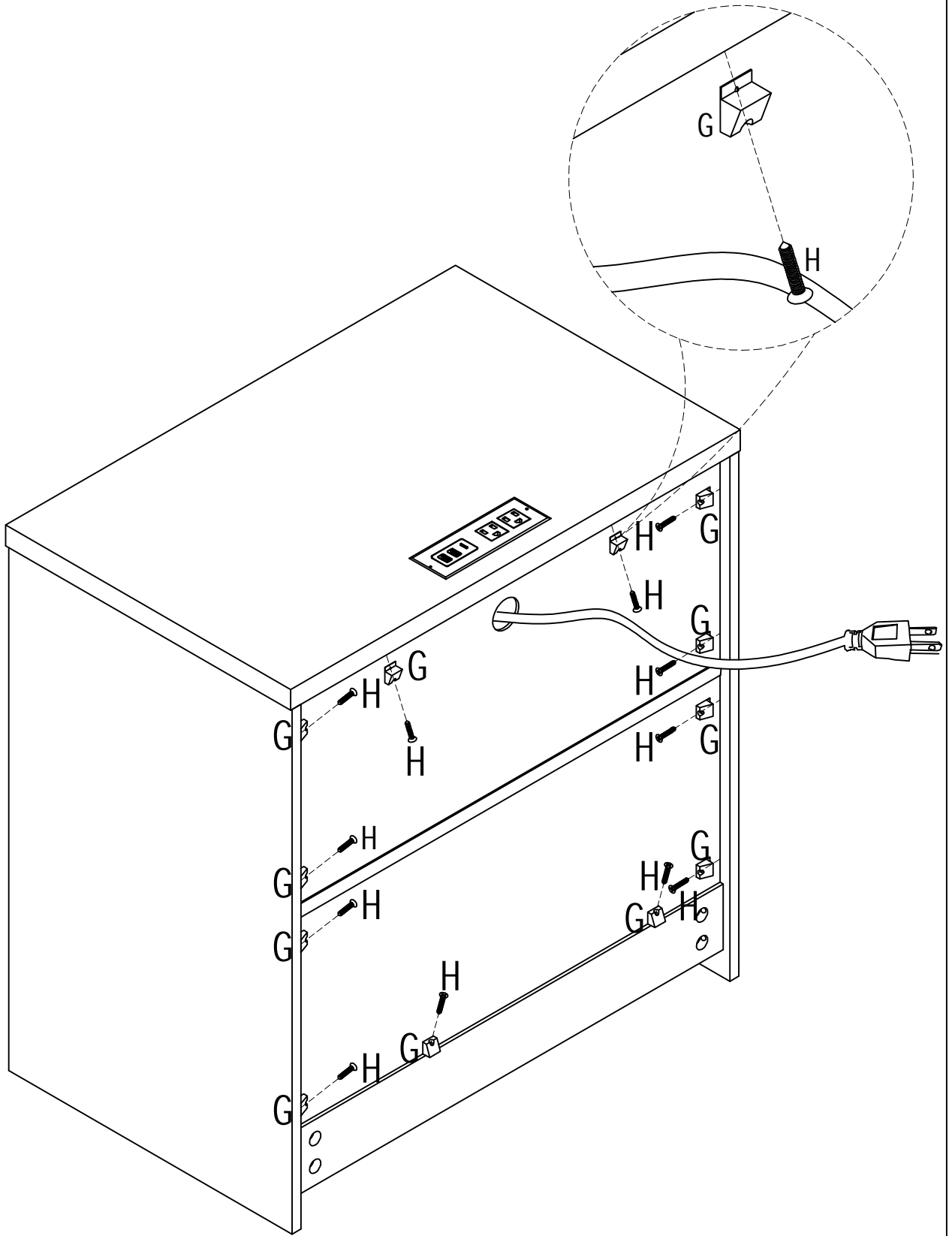
STEP20





Cover the visible

○ N*24PCS

STEP21



	G*12PCS
	H*12PCS