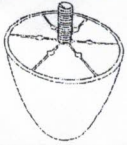
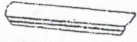


ASSEMBLY INSTRUCTION

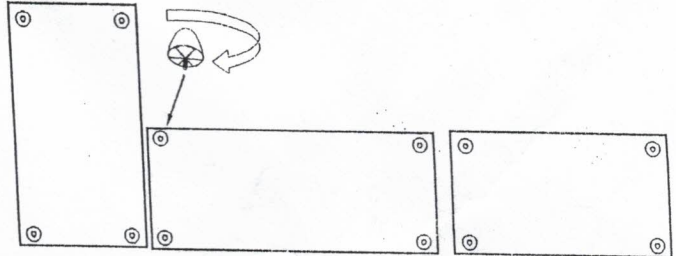
Please follow below Assembly Instruction step by step.

HARDWEAR LIST

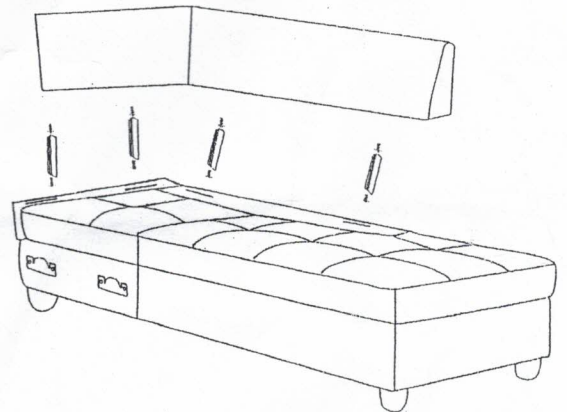
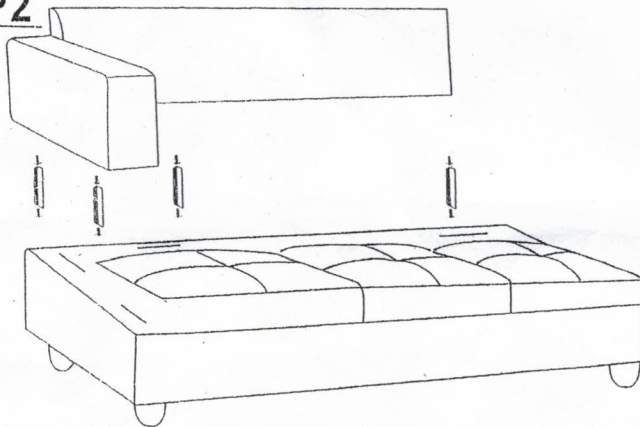
NO.	DESCRIPTION	QTY (pcs)
A	 leg	12
B		8

STEP1

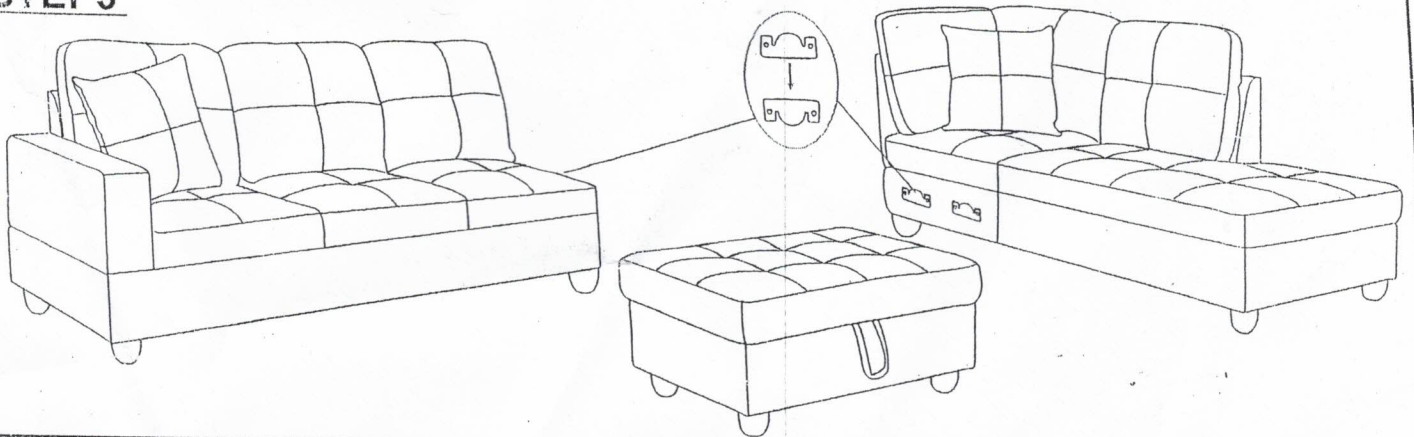
ATTENTION:
LEGS LOCATION:
Please check zipper
compartment underneath the seat area.



STEP2



STEP3



STEP4

