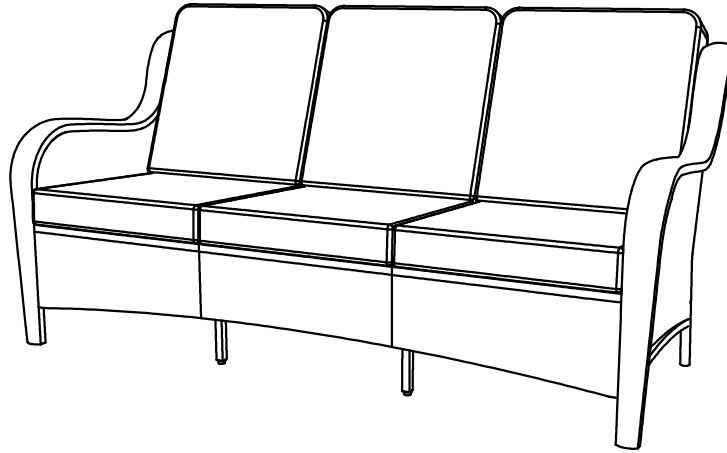


Assembly Instruction

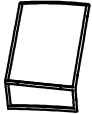

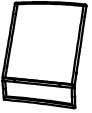


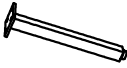
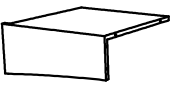
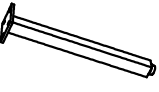
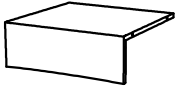
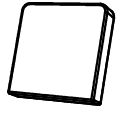
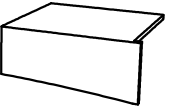

Advice:

1. Power tools are suggested to be used during installation.
2. More than one person may be required to assemble this product.
3. The best advice is not tightening up any screws until the whole piece is assembled. If having difficulty aligning holes, loosen the screws already installed and readjust the armrest.
4. To avoid mess-up or mismatch, please use the hardware of each box to install the furniture in the same box.



3-Seat Sofa

Parts List

NO.	Picture	Description	QTY	NO.	Picture	Description	QTY
S-A		Right Sofa Back	1	S-G		Right Arm	1
S-B		Center Sofa Back	1	S-H		Left Arm	1
S-C		Left Sofa Back	1	S-I		Short Center Sofa Legs	2
S-D		Right Sofa Seat	1	S-J		Long Center Sofa Legs	2
S-E		Center Sofa Seat	1	S-K		Back Cushion	3
S-F		Left Sofa Seat	1	S-L		Seat Cushion	3

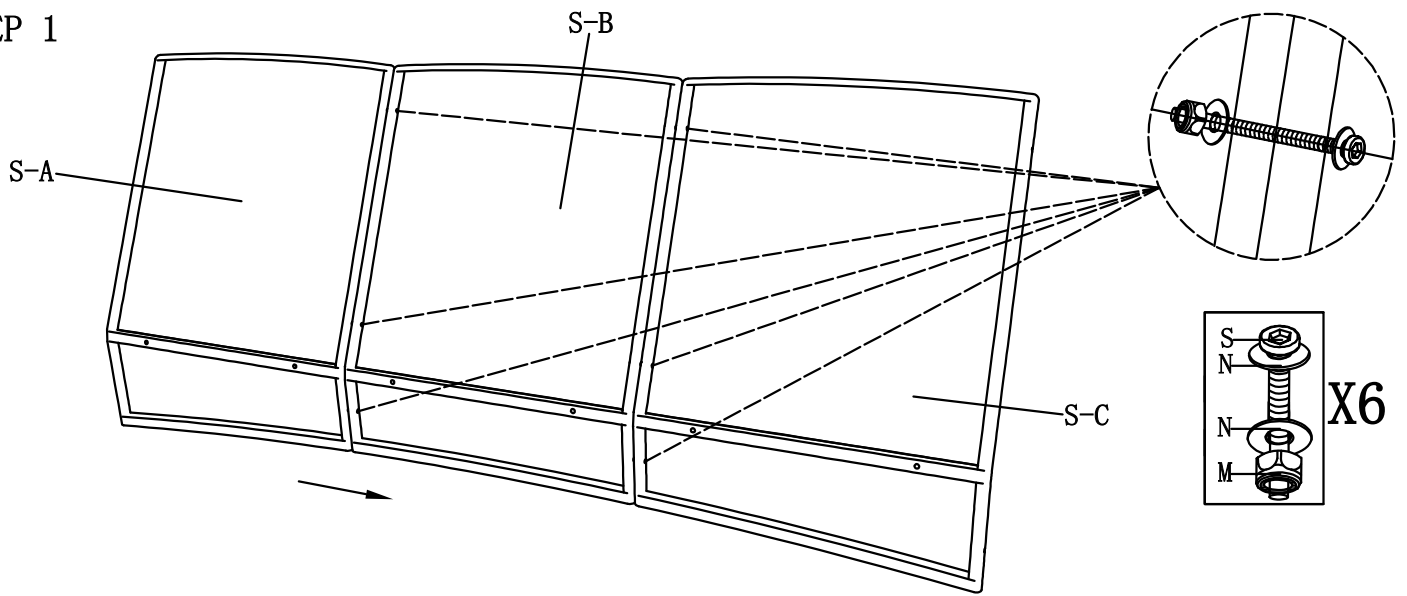
Parts List

NO.	Picture	Description	QTY
Z		Screw (M6*16)	16
V		Screw (M6*35)	4
U		Screw (M6*40)	6
T		Screw (M6*45)	4

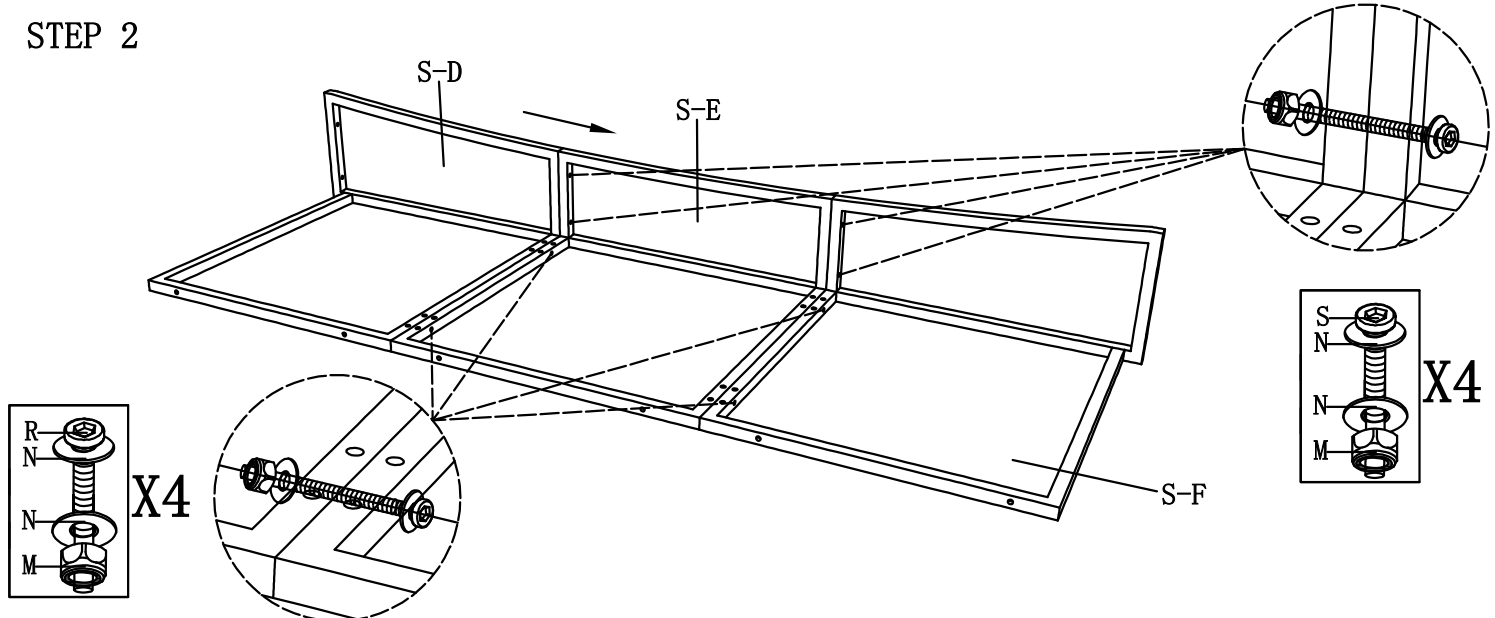
S		Screw (M6*60)	10
R		Screw (M6*65)	4
N		Washer (M6)	58
M		Nut (M6)	14
L		Allen Key	1
J		Wrench (M6)	1

The best advice is not tightening up any screws until the whole piece is assembled.

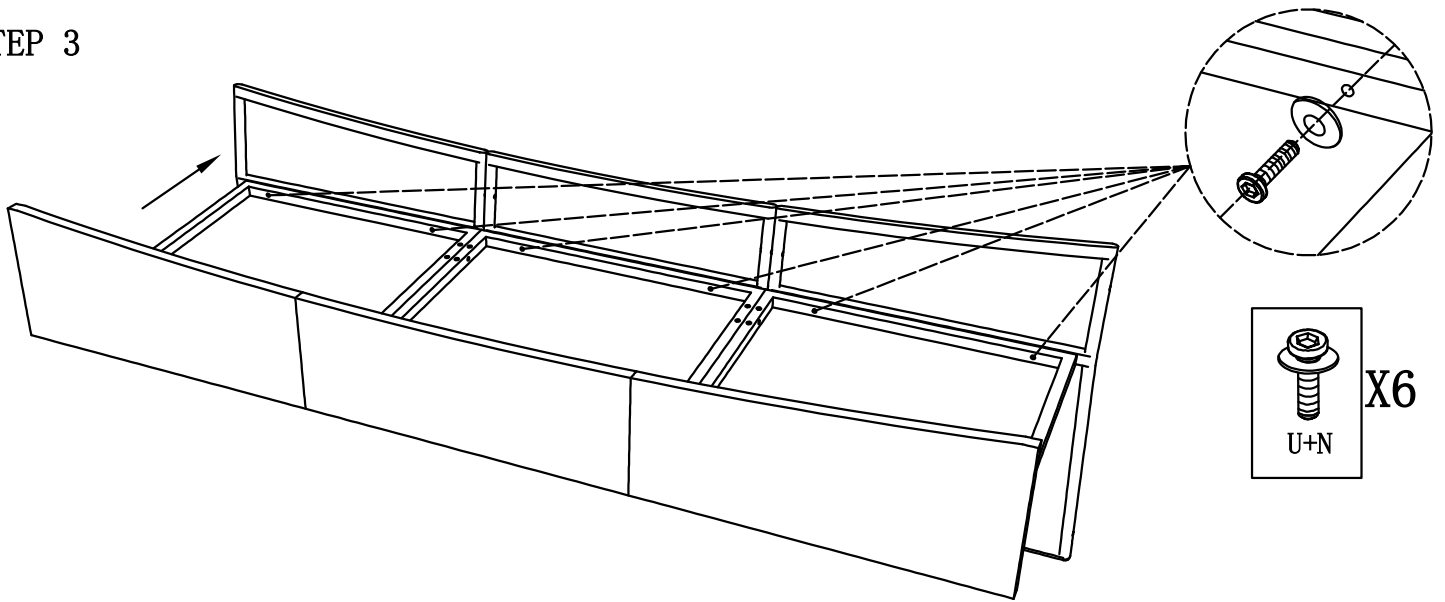
STEP 1



STEP 2

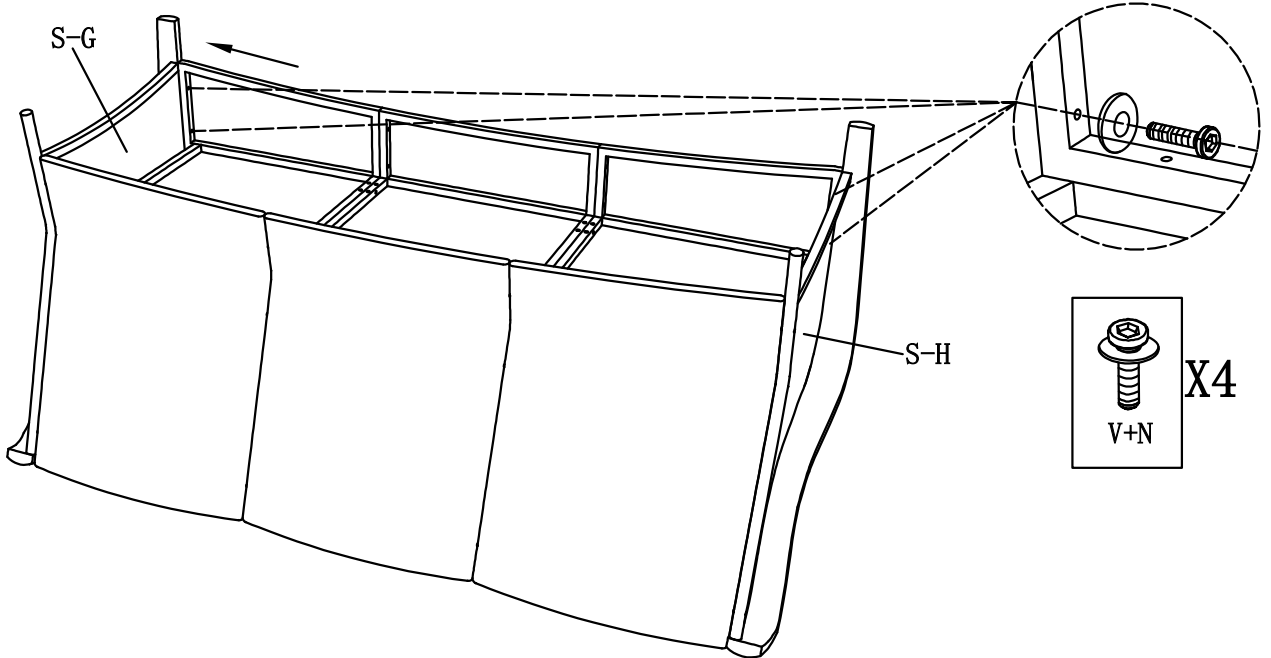


STEP 3

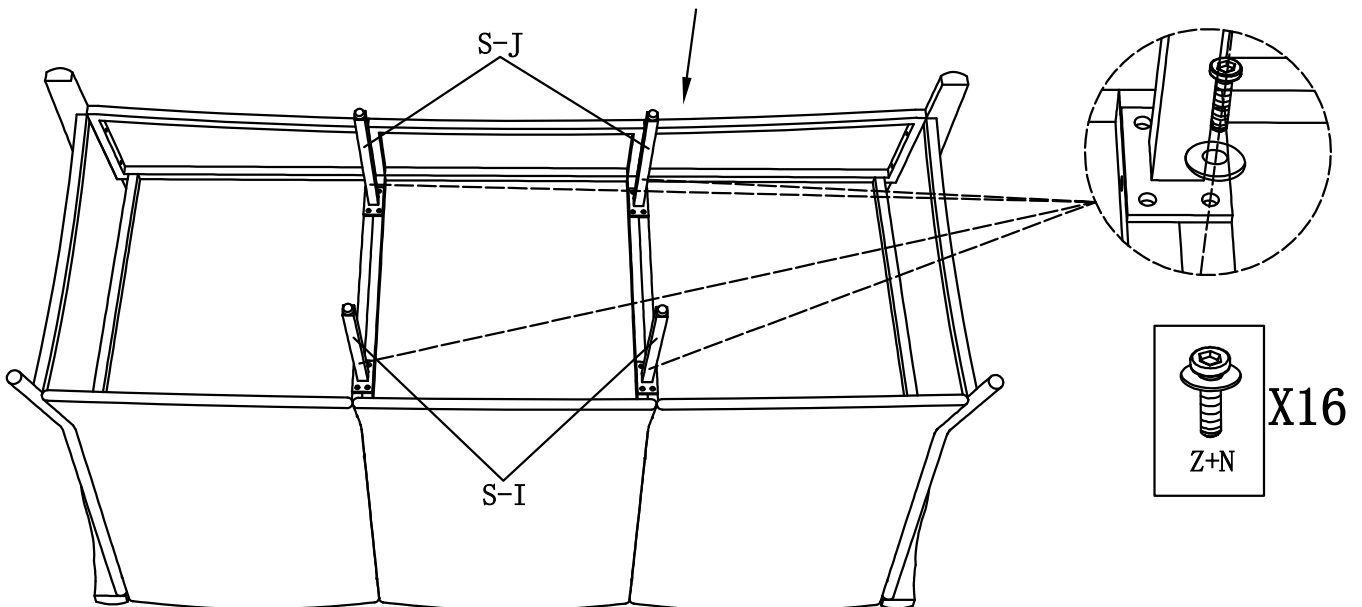


The best advice is not tightening up any screws until the whole piece is assembled.

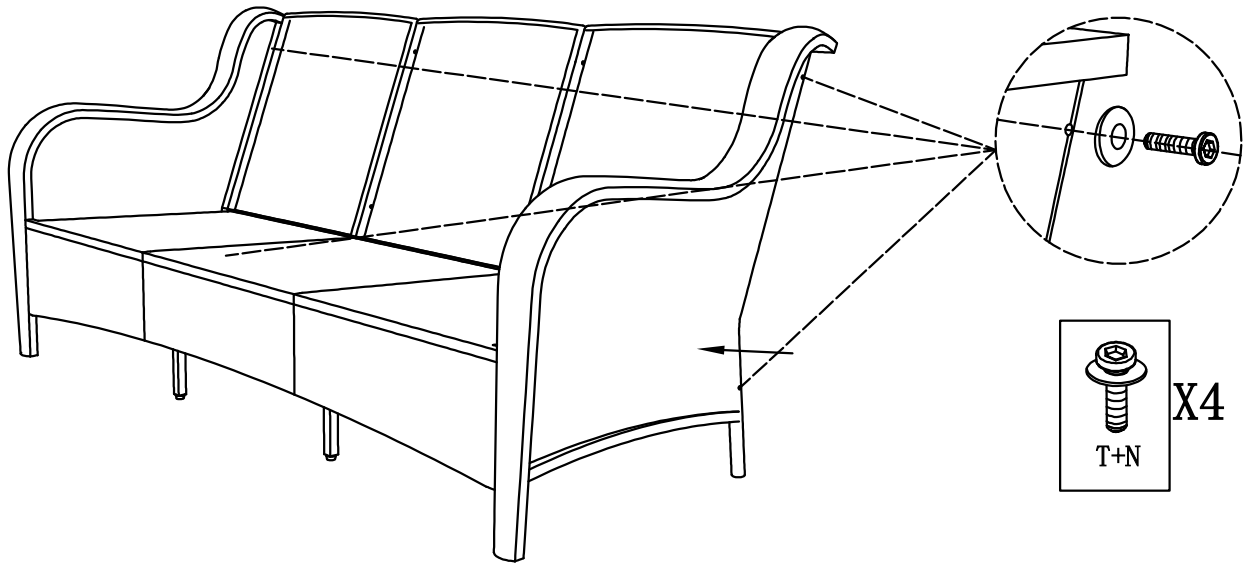
STEP 4



STEP 5

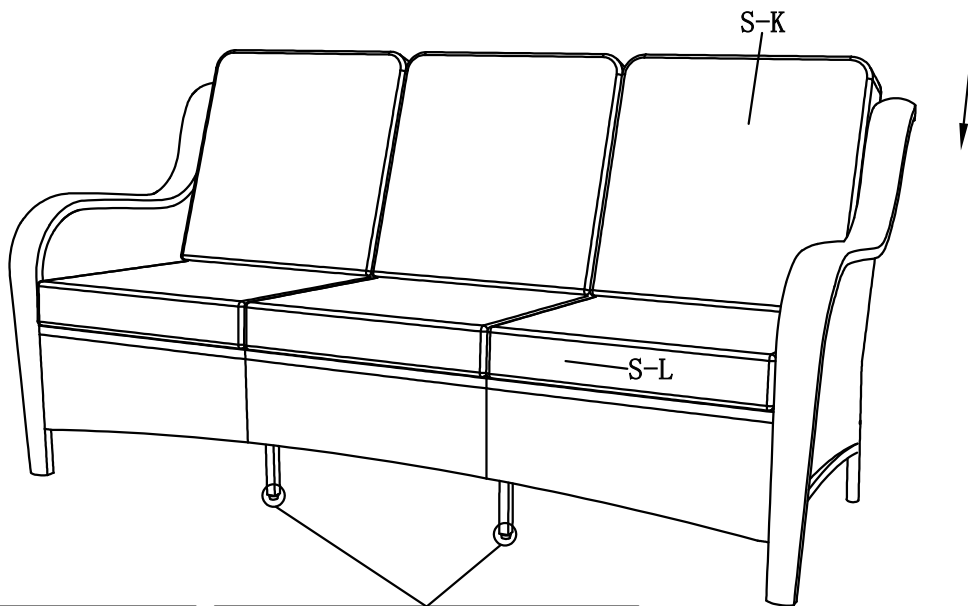


STEP 6



The best advice is not tightening up any screws until the whole piece is assembled.

FINISH



Please tap the cushions and wait 48 to 72 hours to fully rebound

When finish all the assembly of the sofa, adjust the middle legs and make the sofa parallel to the ground.