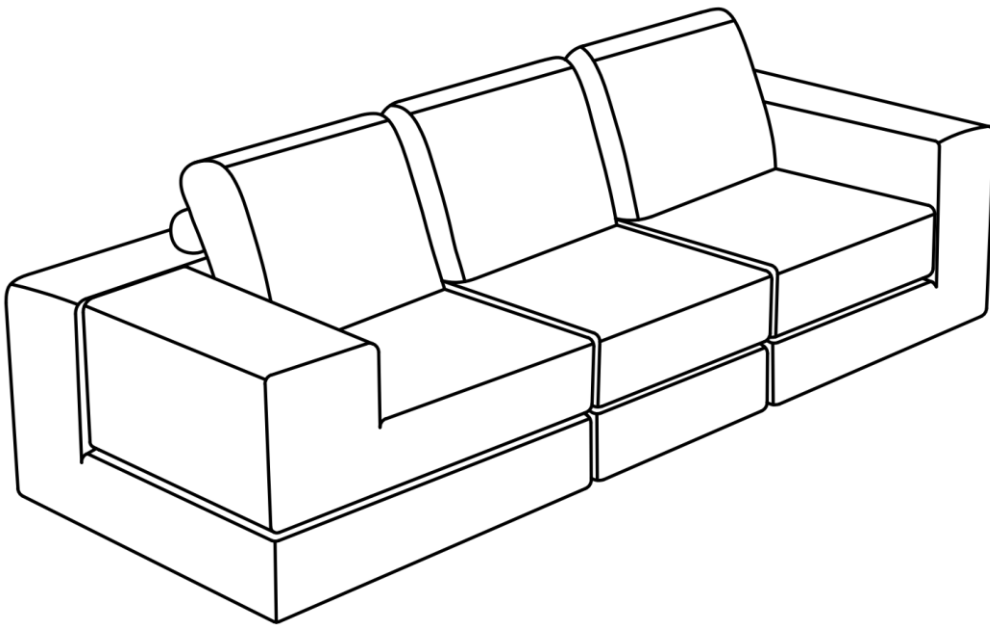


Convertible Sectional Modular Sofa

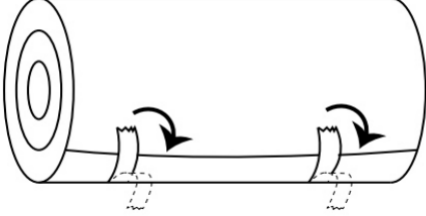

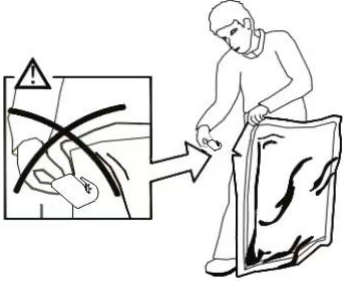

Customize Your Comfort!

Your Journey to Effortless Living Starts Here!



Unboxing Your Sofa

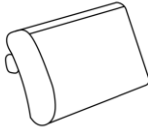
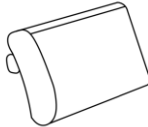
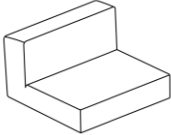
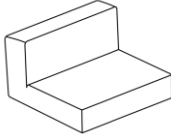
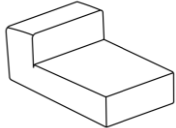
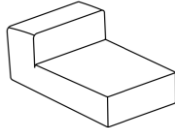
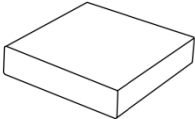
Your sofa comes in two boxes, named as A & B, they may arrive at the same time, or one coming later, which is on the way to you, thanks for your patience.

 <p>Step 1, Move the boxes into your desired room, open it and take rolled sofa out.</p>	 <p>Step 2, Unfold it.</p>
 <p>Step 3, Carefully cut and open the bagging.</p>	 <p>Step 4, After unwrapping, let it decompress naturally.</p>

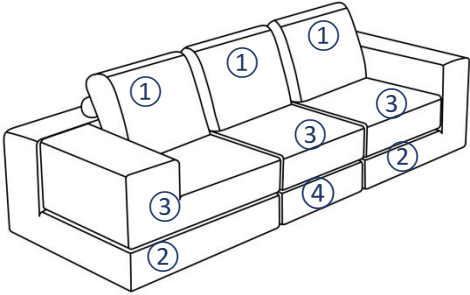
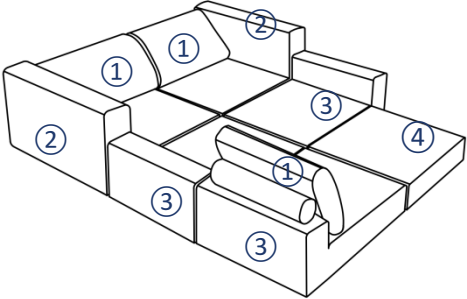
Warning

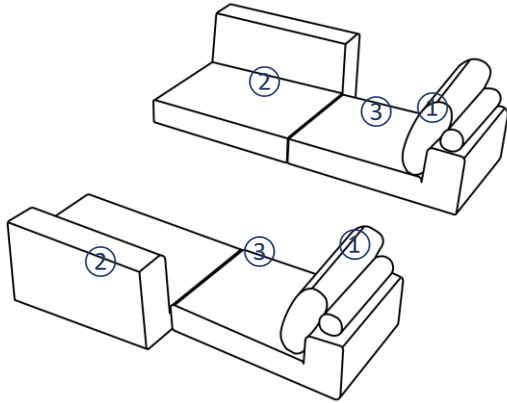
1. Be careful to only cut the plastic wrapping, and keep away from your children's reach.
2. Wrinkles may be on the covers, due to compress packing, but no worry, these wrinkles will disappear gradually.
3. After the sofa is unfolded, it is not fully rebounded. It will be a soft to sit on. After a certain period of time (24-72 hours), the support will become stronger. This is a normal phenomenon. So does the odor, please note it is harmless and will fade away in well ventilated area.
4. Warm Reminder: Different production batches have different rebound times. Some may take longer to rebound to the best effect. IF you have any questions about the product, you can contact us. We are always at your service.

What's in the Box

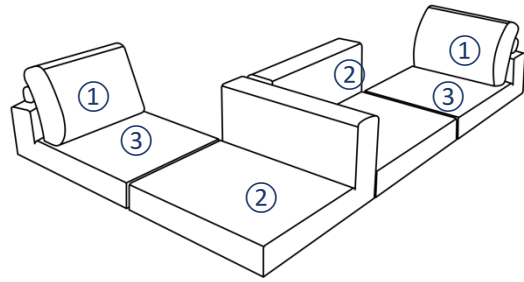
Box A	Box B
 <p>① Back cushion *2pcs</p>	 <p>① Back cushion *1pc</p>
 <p>② High back cushion *1pc</p>	 <p>② High back cushion *1pc</p>
 <p>③ Low back cushion *2pcs</p>	 <p>③ Low back cushion *1pc</p>
 <p>④ Flat cushion *1pc</p>	

Sofa Configurations

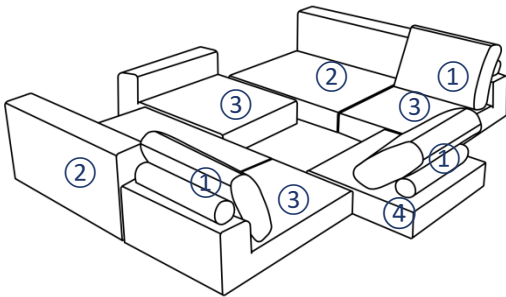
 <p>Perfect sofa for big living room for watching.</p>	 <p>Perfect full size bed for guest or party time.</p>
---	--



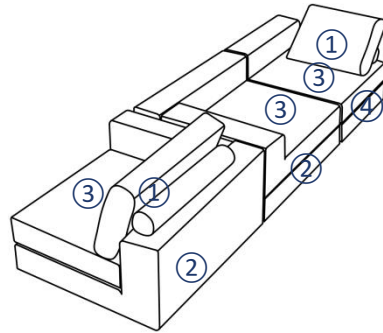
Perfect two separate small beds to relax without disturbing others.



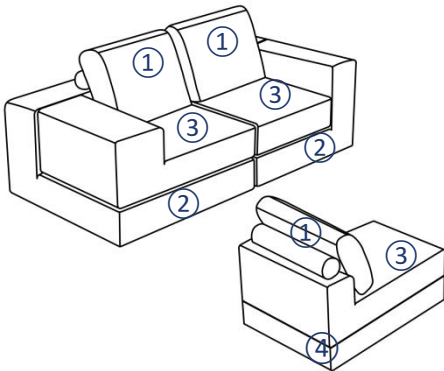
Perfect two beds to relax and have fun.



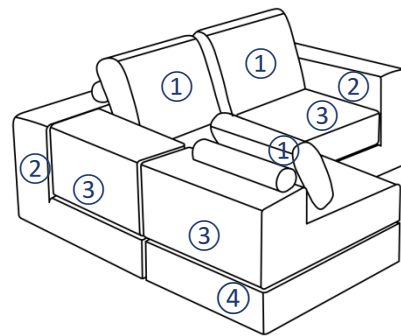
Perfect sofa for family party time.



Perfect sofa for big living room with private space.



Perfect for office when turn into two sofas.



Perfect corner sofa for apartments.

A little secret from our team: The more you rearrange the modules, the more you'll discover its genius!

Tips For Caring Your Sofa

Regular maintenance

- Vacuum regularly on low suction.
- Avoid placing the sofa in direct sunlight, as this can fade the fabric colour.

Spills and spot cleaning

- Remove any spills immediately.
- DO NOT scrub with a stiff brush.
- Use a clean cloth to blot out any excess liquid.
- Avoid using excess water as this may result in a water stain.
- Allow the fabric to dry in a well-ventilated area away from direct sunlight.

Thank You For Trusting Us!

Our goal is to make the most comfortable, convenient and durable sofa for our customers; Bring a convenient and comfortable experience to you; Thanks for your purchase, Best wishes for you!

For any inquiries, please feel free to contact us. We'll assist you promptly.