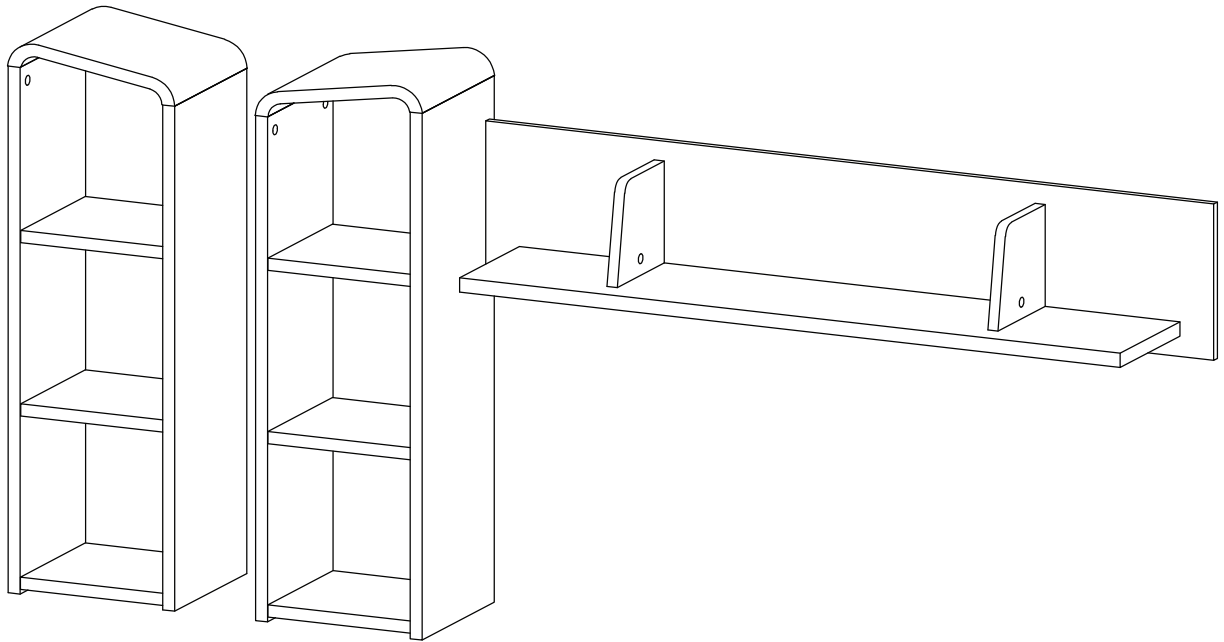


WALL UNIT

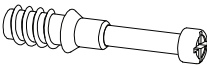


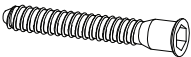

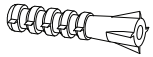
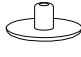


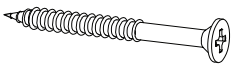

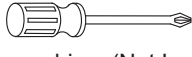
Thank you for purchasing the **WALL UNIT !**

Before you start, here are some helpful advice:

1. We suggest you spend a short time reading through this leaflet and then follow the simple step-by-step instructions.
2. Owing to the size and weight of the Wall Unit, we recommend that it is assembled by two adults, on a carpeted or padded area, in the room that it is intended for. Approximate assembly time: 60 minutes.
3. Please do not use any tools other than those provided or recommended in these instructions.
4. Please do not throw away any of the packaging or instructions until you have checked all the components and hardware and the furniture is fully assembled.
5. Assemble all components loosely until advised to tighten. Depending on use, it may be necessary to tighten the components from time to time, so please save the tools that have been provided.
6. Please keep all pieces out of reach of children.

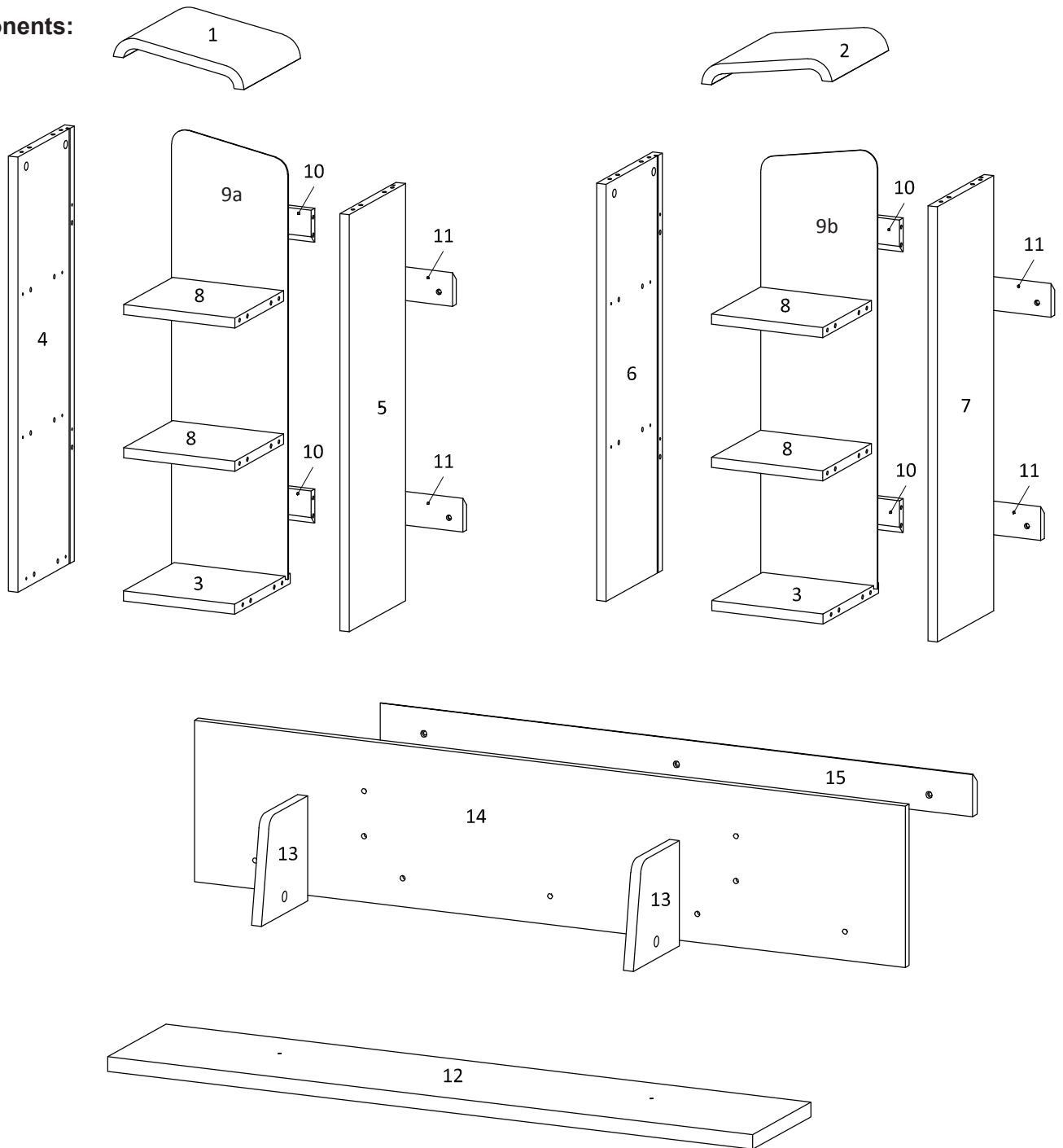


Hardware :

| | | | | |
|---|--|---|--|---|
| A) Cambolt/Metal  \varnothing 6 x 35 mm x 42 | B) CamLock Big/Metal  \varnothing 15 mm x 42 | C) Dowel/Wood  \varnothing 8 x 30 mm x 44 | D) Screw/Metal  M 7 x 50 mm x 5 | E) Key/Metal  L 4 x 1 |
| F) Fisher/Plastic  SO 02 x 11 | G) Screw Cup Grey/Plastic  \varnothing 15 mm x 8 | H) Wedge/Plastic  9 x 14 x 10 mm x 16 | I) Screw/Metal  M 3.5 x 15.5 mm x 16 | J) Screw/Metal  M 12 x 45 mm x 11 |
| K) Screw Cup Caramel/Plastic  \varnothing 15 mm x 2 | L) x 1  Screwdriver (Not Include) | | | |

WALL UNIT

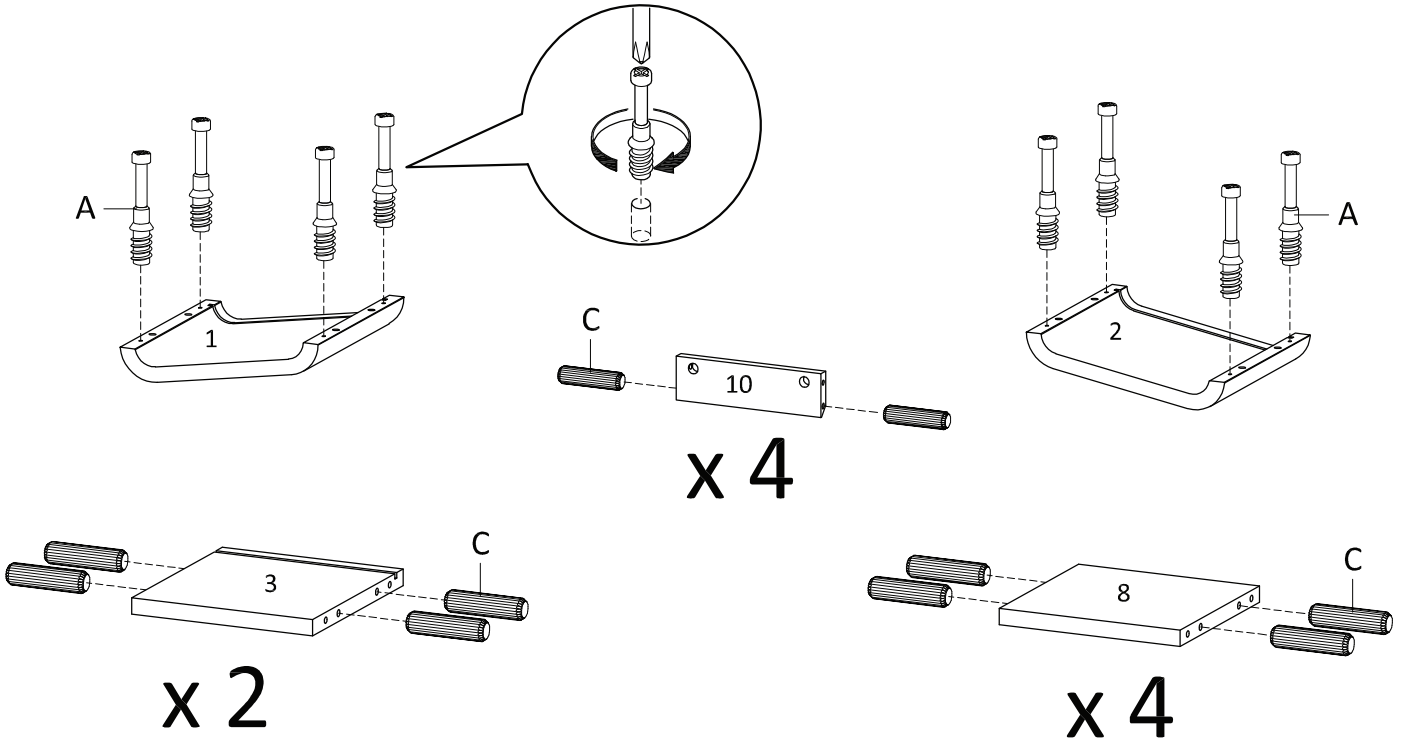
Components:

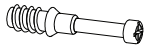
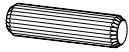
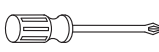


| | | | | | | | | | | | |
|----|--------------------|----|----|-------------------|----|----|--------------------|----|----|-------------------|----|
| 1 | Top Board 1 | x1 | 2 | Top Board 2 | x1 | 3 | Bottom Board 1 | x2 | 4 | Side Board Left 1 | x1 |
| 5 | Side Board Right 1 | x1 | 6 | Side Board Left 2 | x1 | 7 | Side Board Right 2 | x1 | 8 | Fixed Shelf | x4 |
| 9a | Back Board 1 | x1 | 9b | Back Board 1 | x1 | 10 | Support Board 1 | x4 | 11 | Support Board 2 | x4 |
| 12 | Bottom Board 2 | x1 | 13 | Centre Board | x2 | 14 | Back Board 2 | x1 | 15 | Support Board 3 | x1 |

WALL UNIT

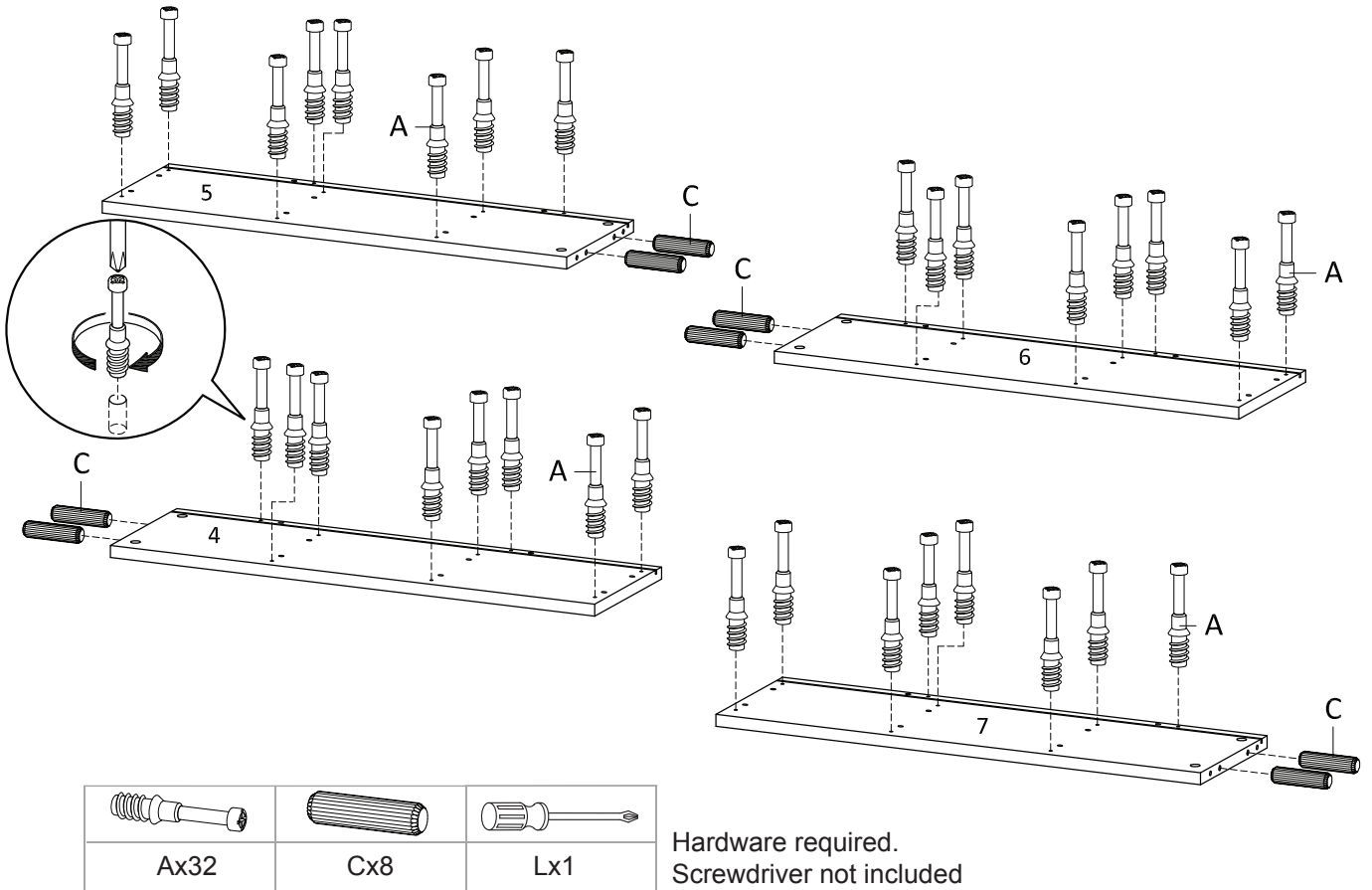
STEP 1:

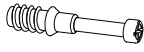
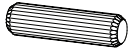
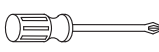


| | | |
|---|---|---|
|  |  |  |
| Ax8 | Cx32 | Lx1 |

Hardware required.
Screwdriver not included

STEP 2:

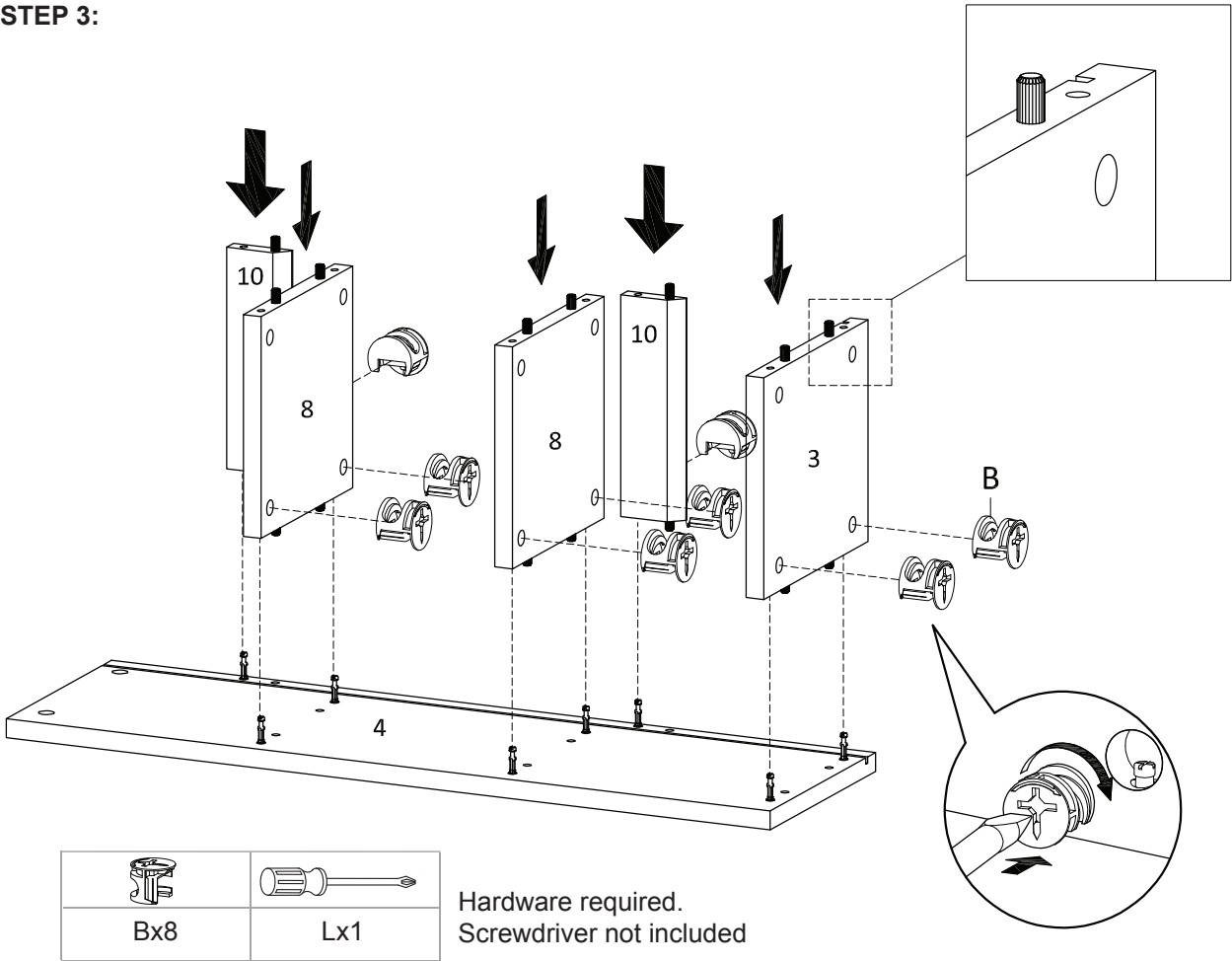


| | | |
|---|---|---|
|  |  |  |
| Ax32 | Cx8 | Lx1 |

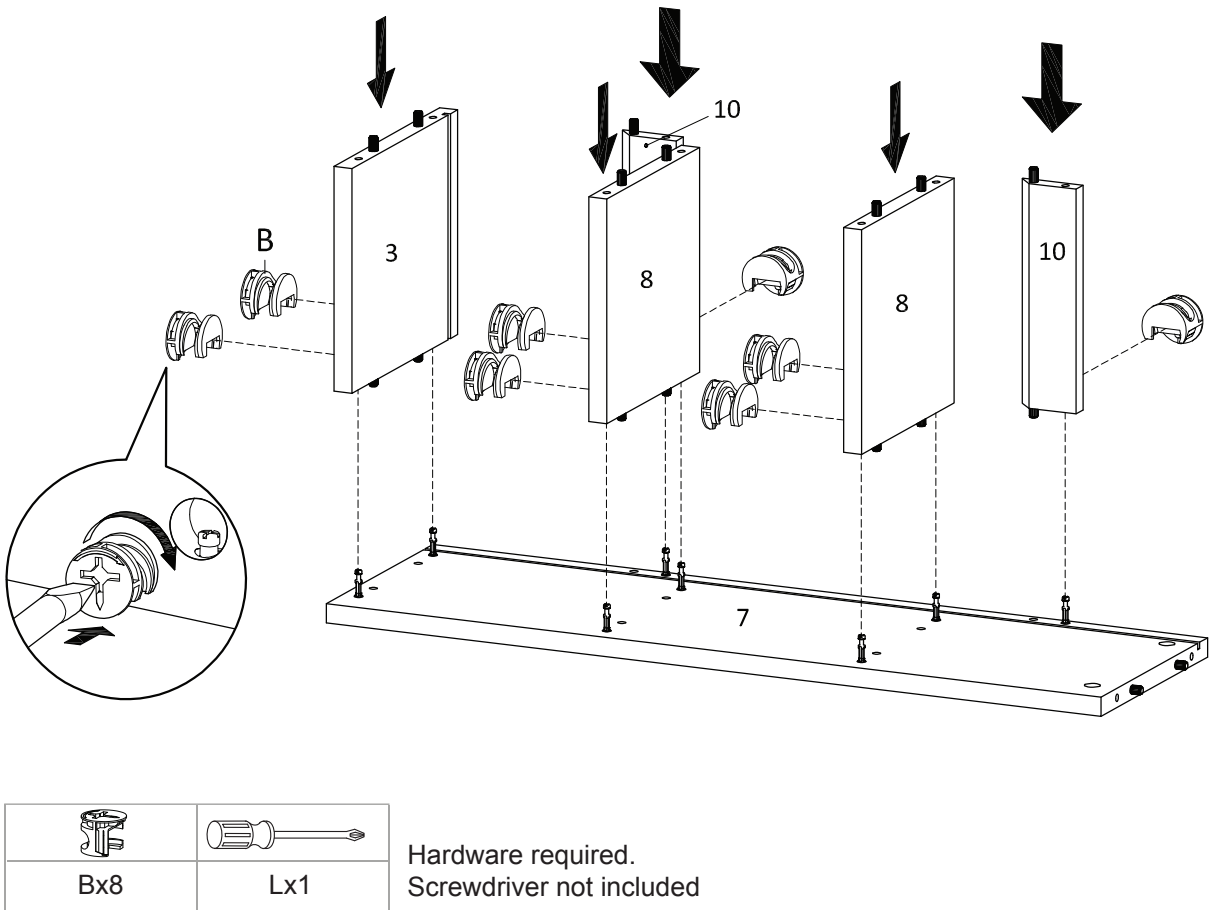
Hardware required.
Screwdriver not included

WALL UNIT

STEP 3:

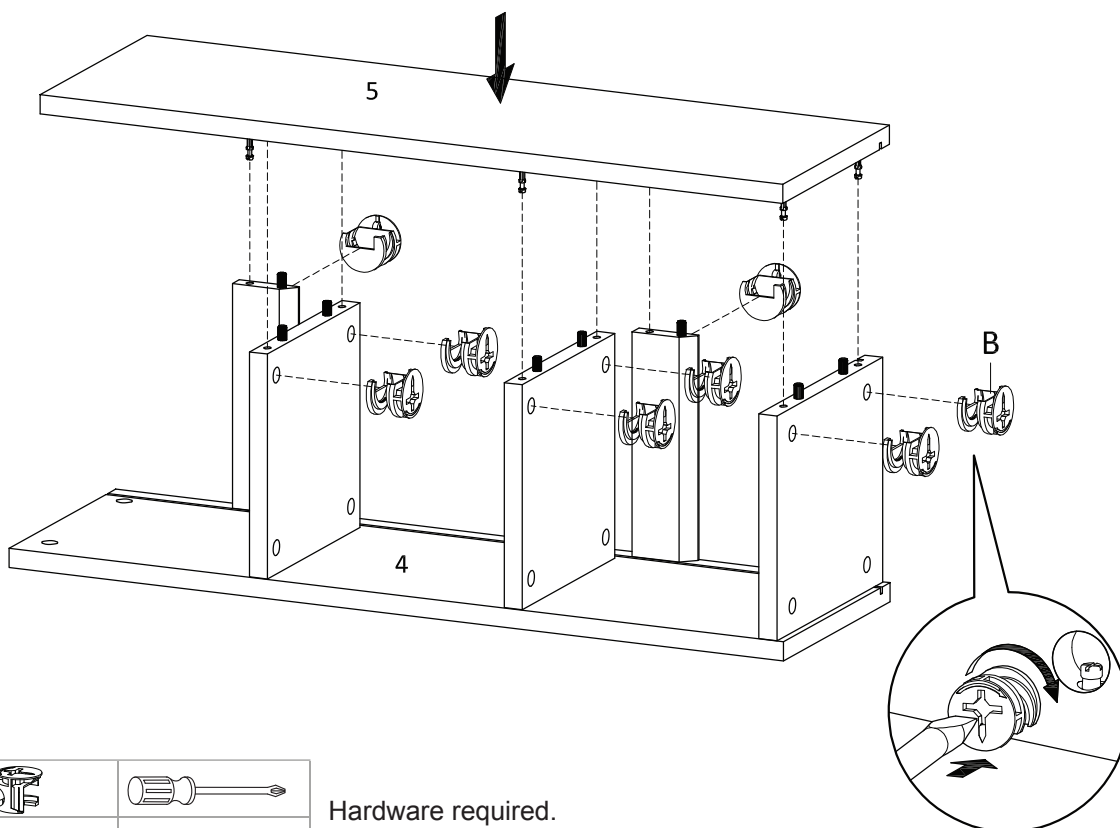




STEP 4:



WALL UNIT

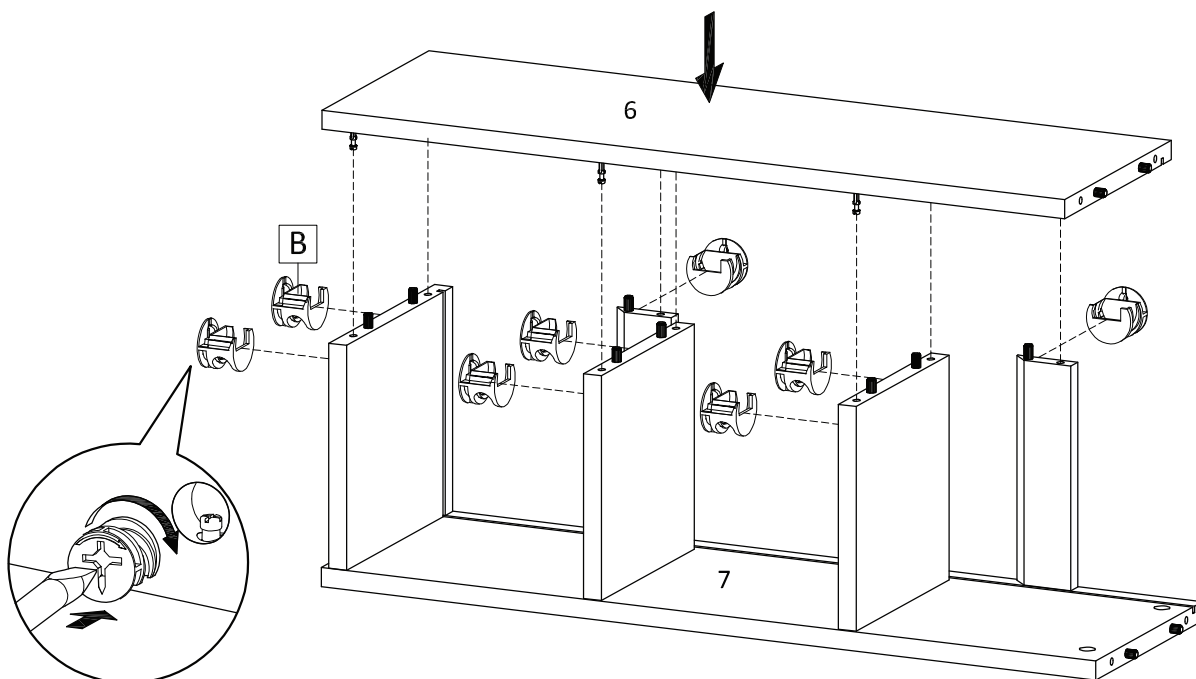
STEP 5:


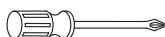


| | |
|---|---|
|  |  |
| Bx8 | Lx1 |

Hardware required.
Screwdriver not included

STEP 6:

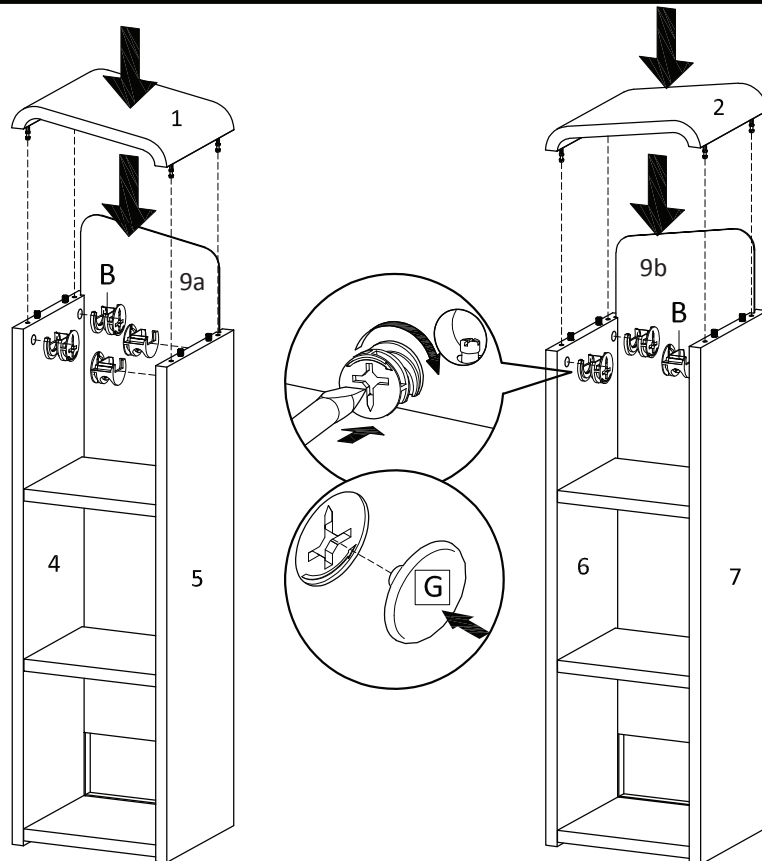


| | |
|---|---|
|  |  |
| Bx8 | Lx1 |

Hardware required.
Screwdriver not included

WALL UNIT

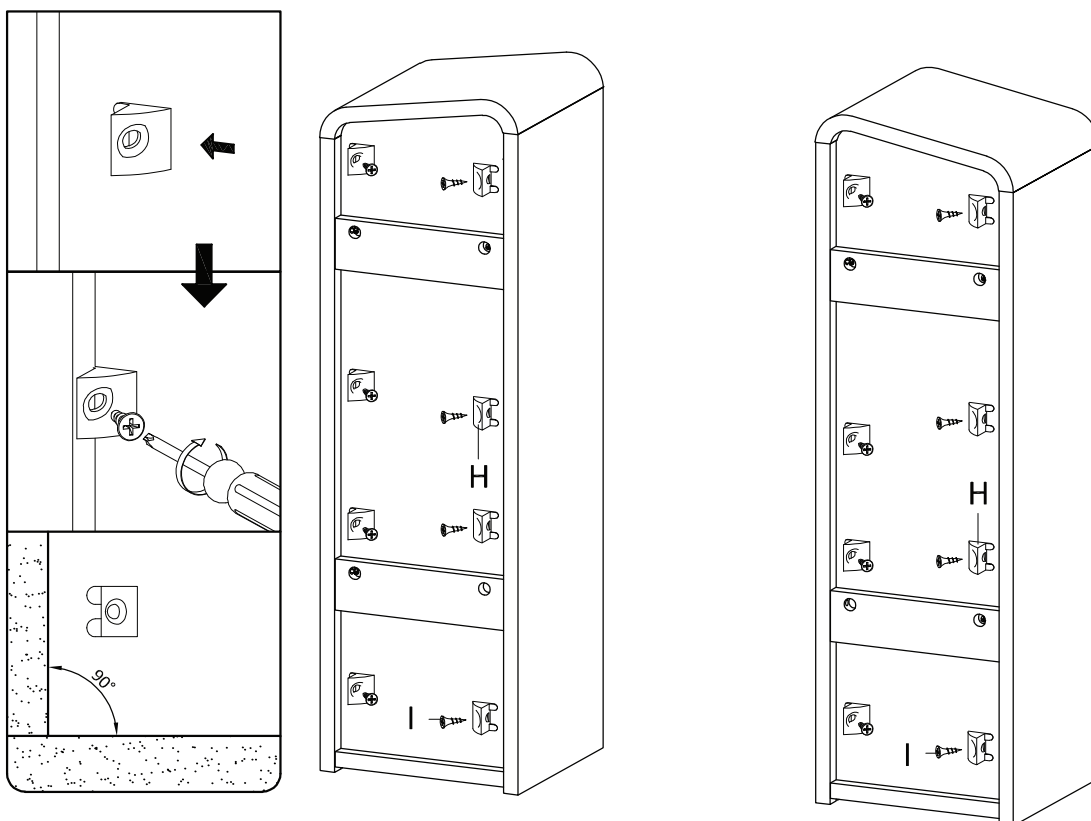
STEP 7:



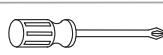


| | | |
|---|---|---|
|  |  |  |
| Bx8 | Gx8 | Lx1 |

Hardware required.
Screwdriver not included

STEP 8:

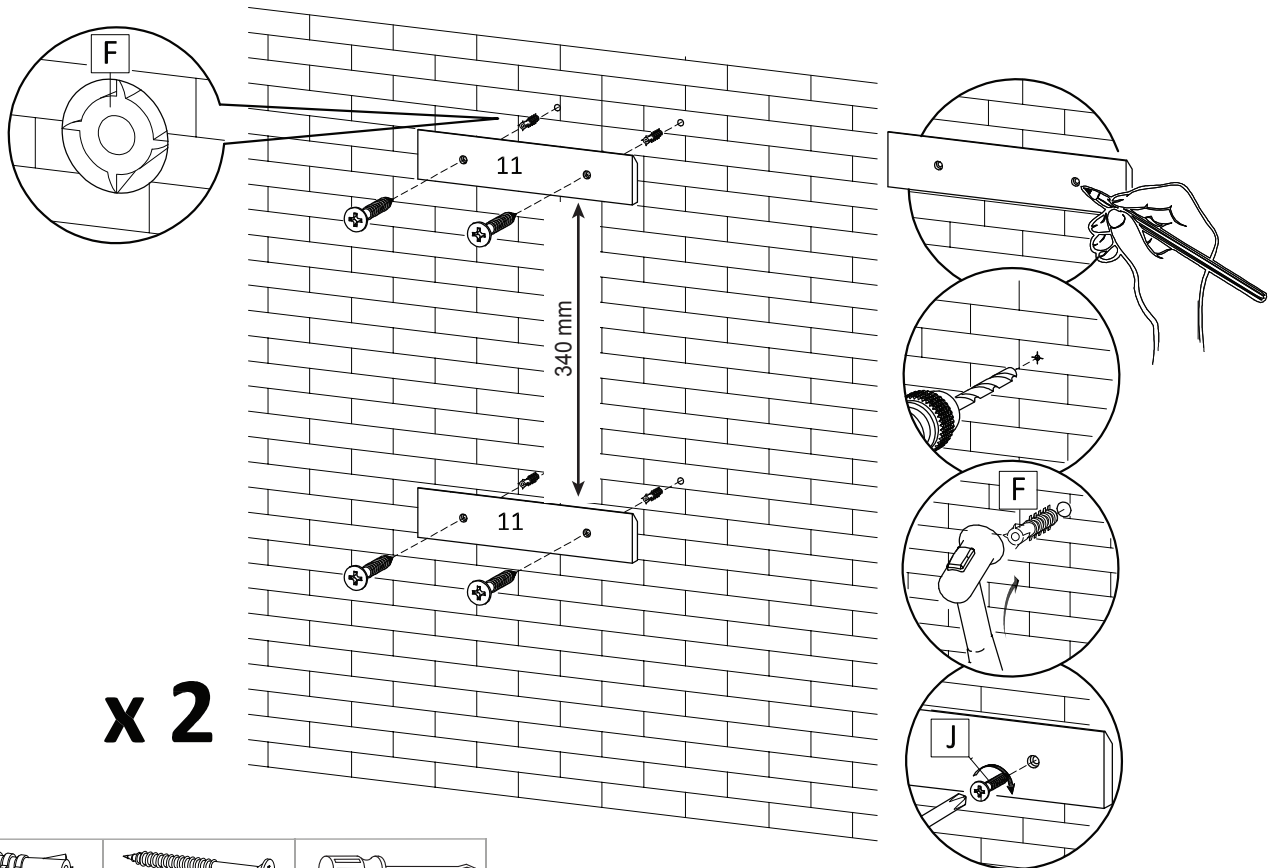


| | | |
|---|---|---|
|  |  |  |
| Hx16 | Ix16 | Lx1 |




Hardware required.
Screwdriver not included

WALL UNIT

STEP 9:

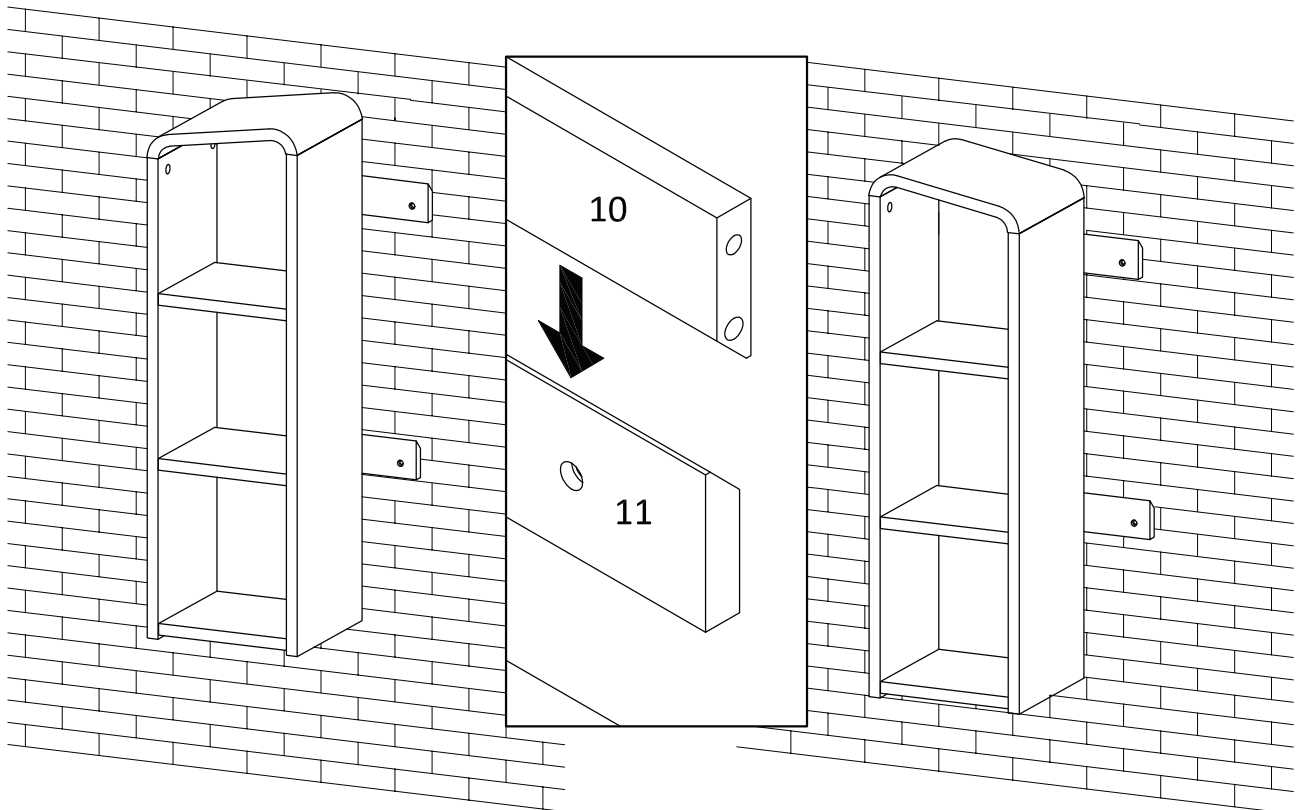


x 2

| | | |
|---|---|---|
|  |  |  |
| Fx8 | Jx8 | Lx1 |

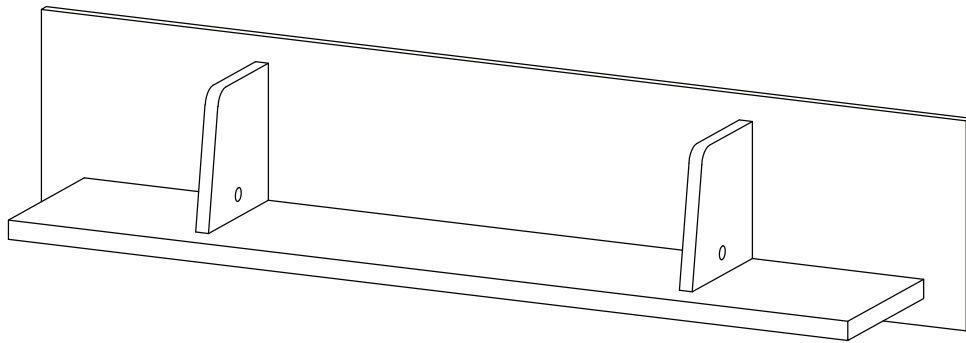
Hardware required.
Screwdriver not included

STEP 10:

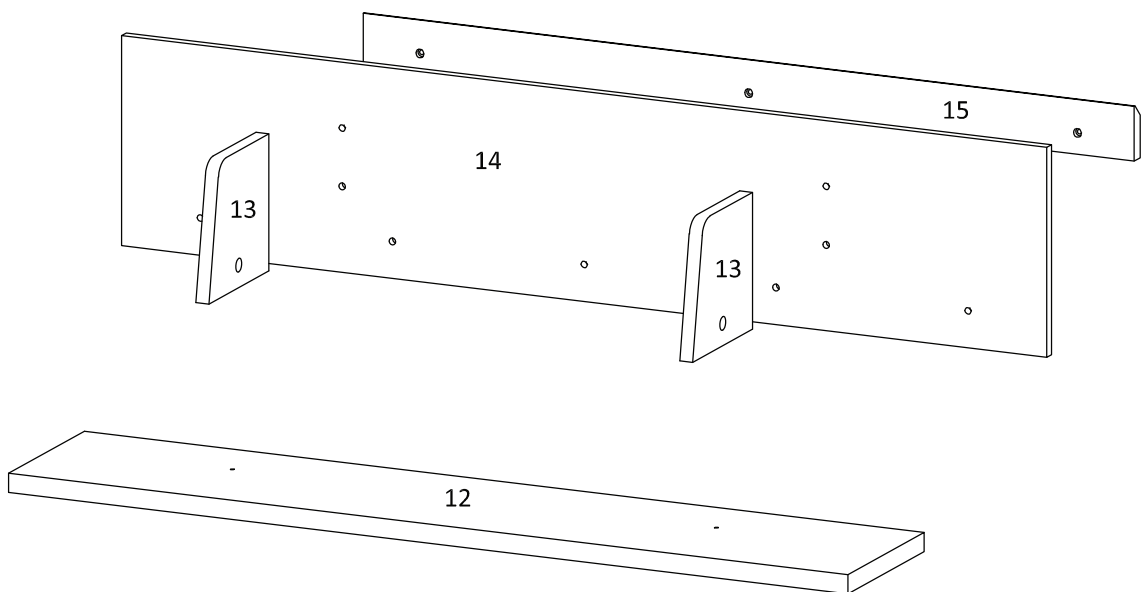


WALL UNIT

STEP 11:

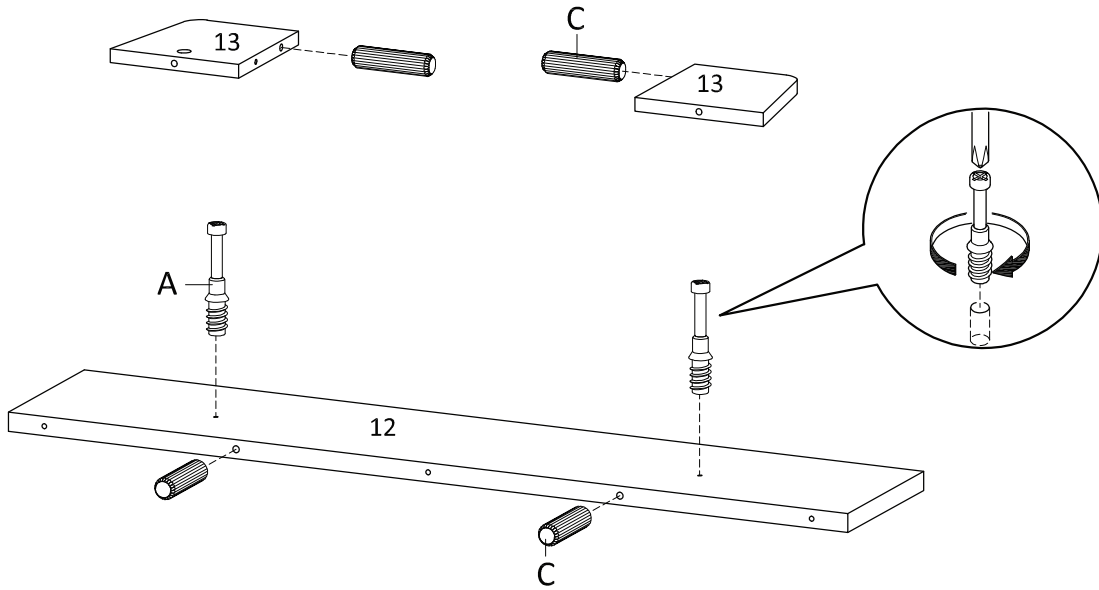


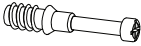

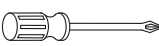
STEP 12:



WALL UNIT

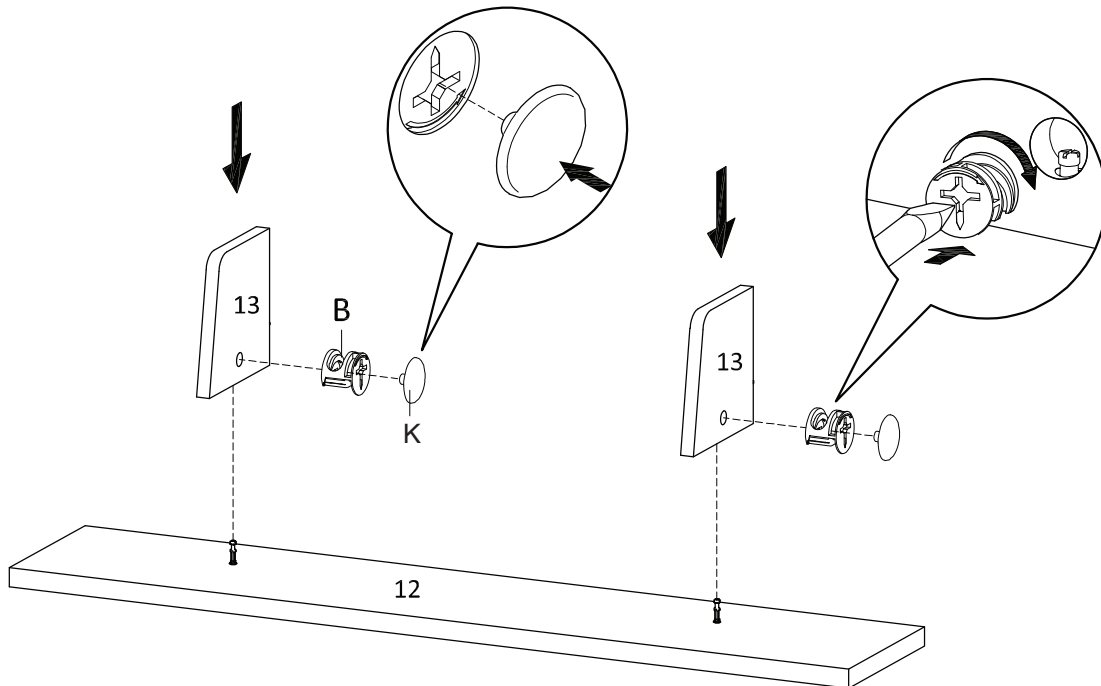
STEP 13:



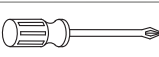


| | | |
|---|---|---|
|  |  |  |
| Ax2 | Cx4 | Lx1 |

Hardware required.
Screwdriver not included

STEP 14:

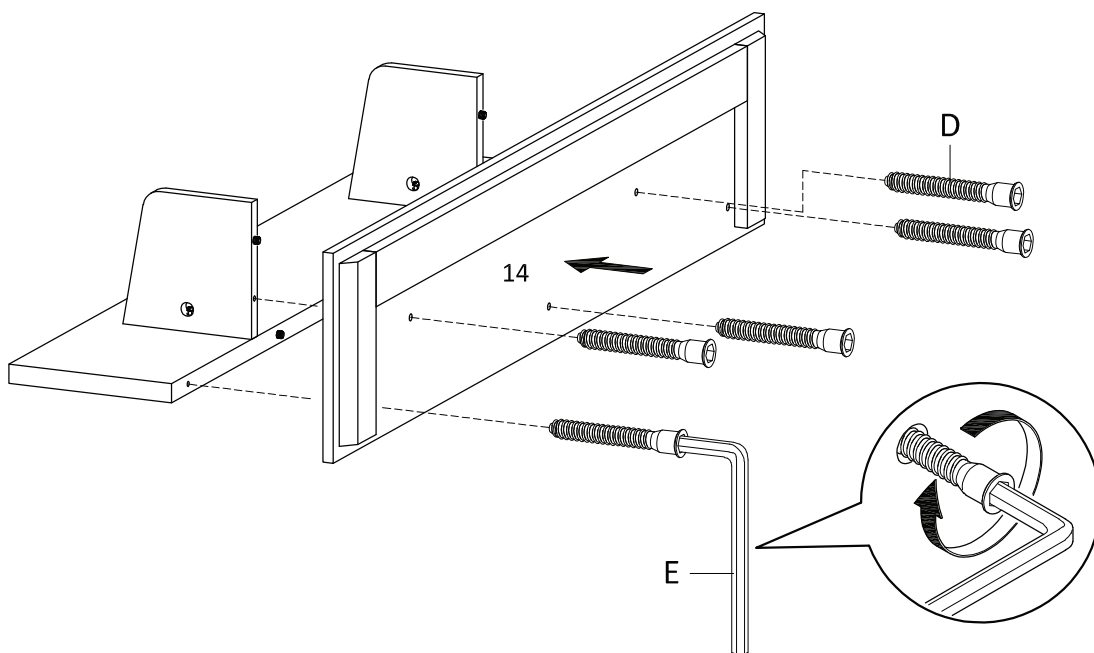




| | | |
|---|---|---|
|  |  |  |
| Bx2 | Kx2 | Lx1 |

Hardware required.
Screwdriver not included

WALL UNIT

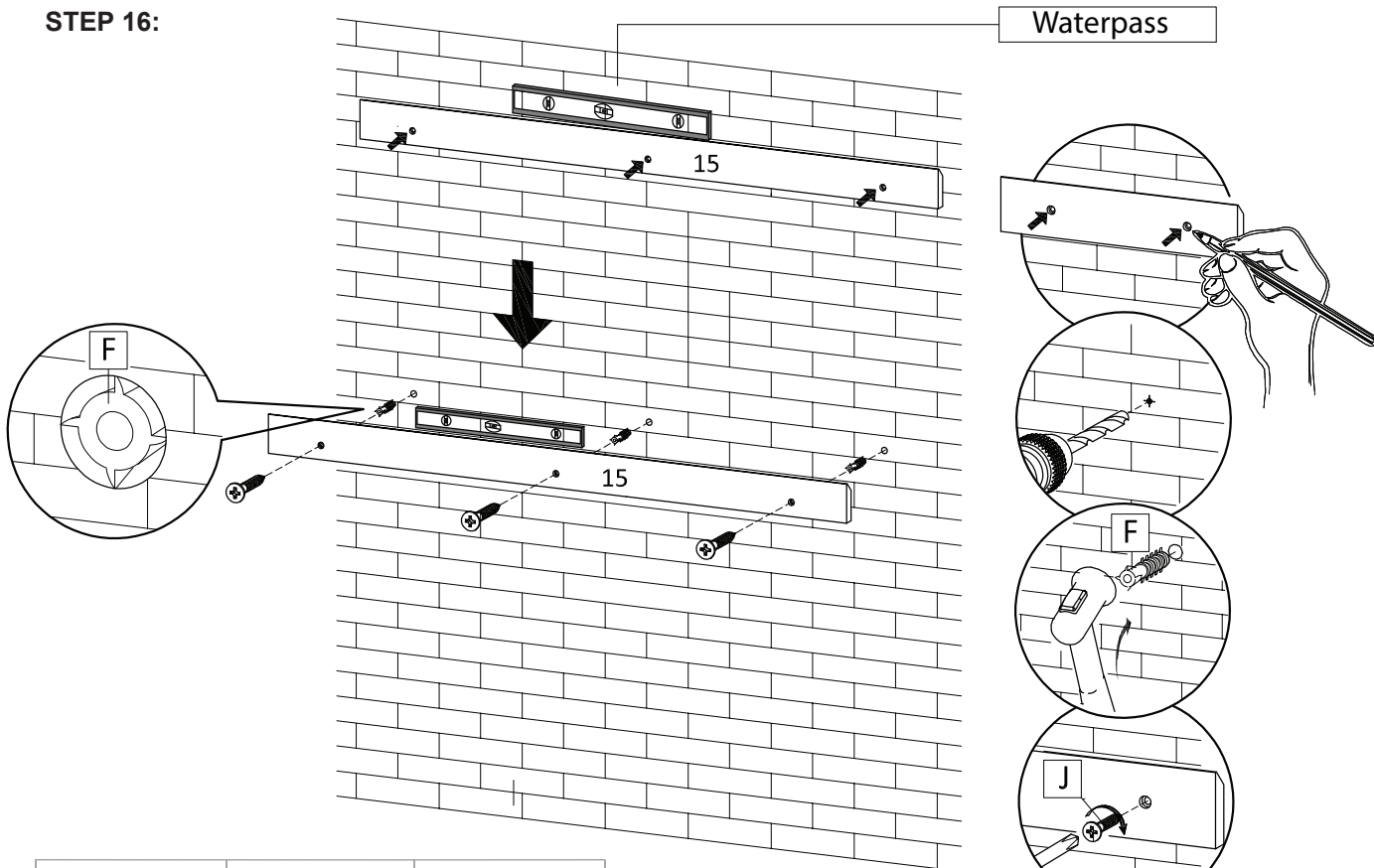
STEP 15:


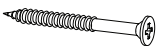
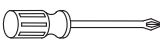


| | |
|---|---|
|  |  |
| Dx5 | Ex1 |

Hardware required.

STEP 16:

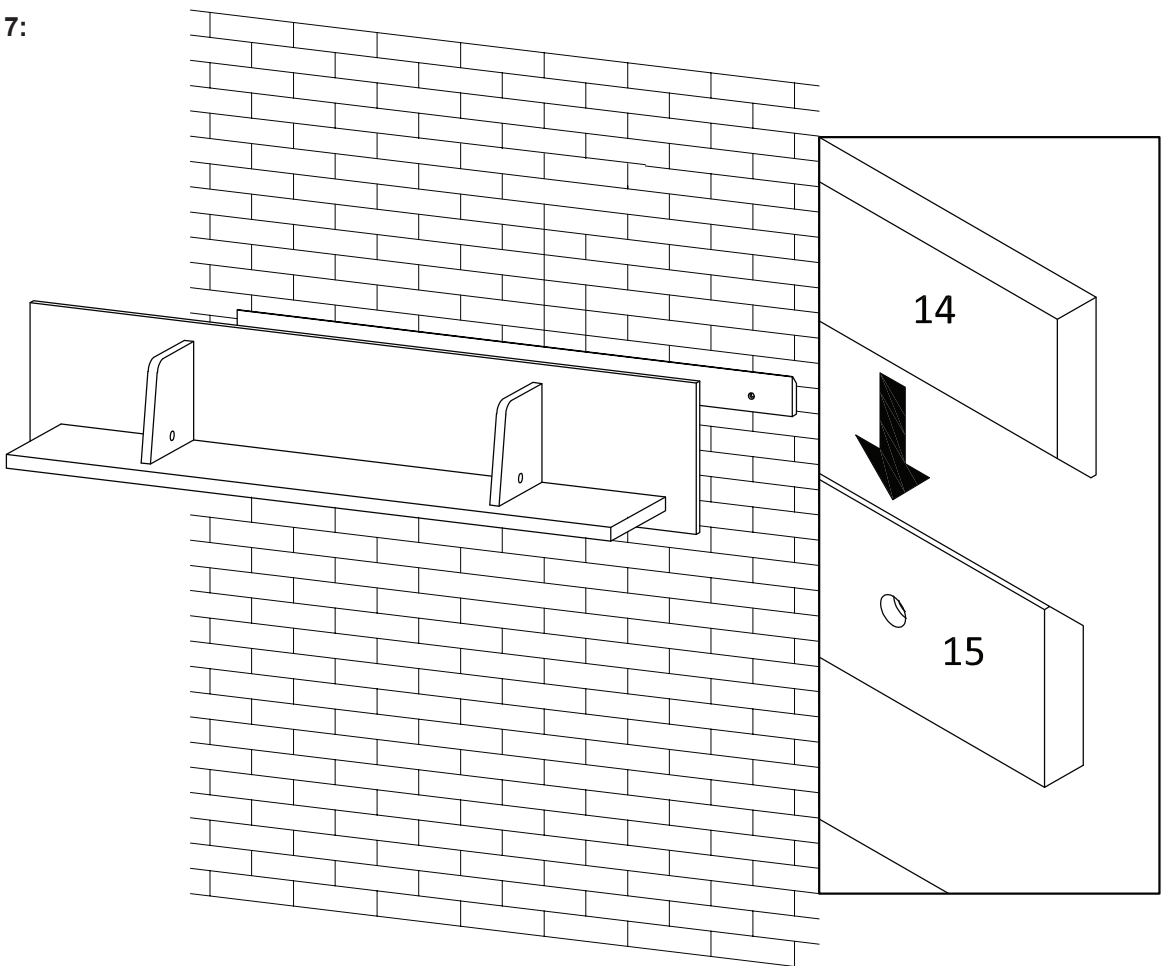


| | | |
|---|---|---|
|  |  |  |
| Fx3 | Jx3 | Lx1 |

Hardware required.
Screwdriver not included

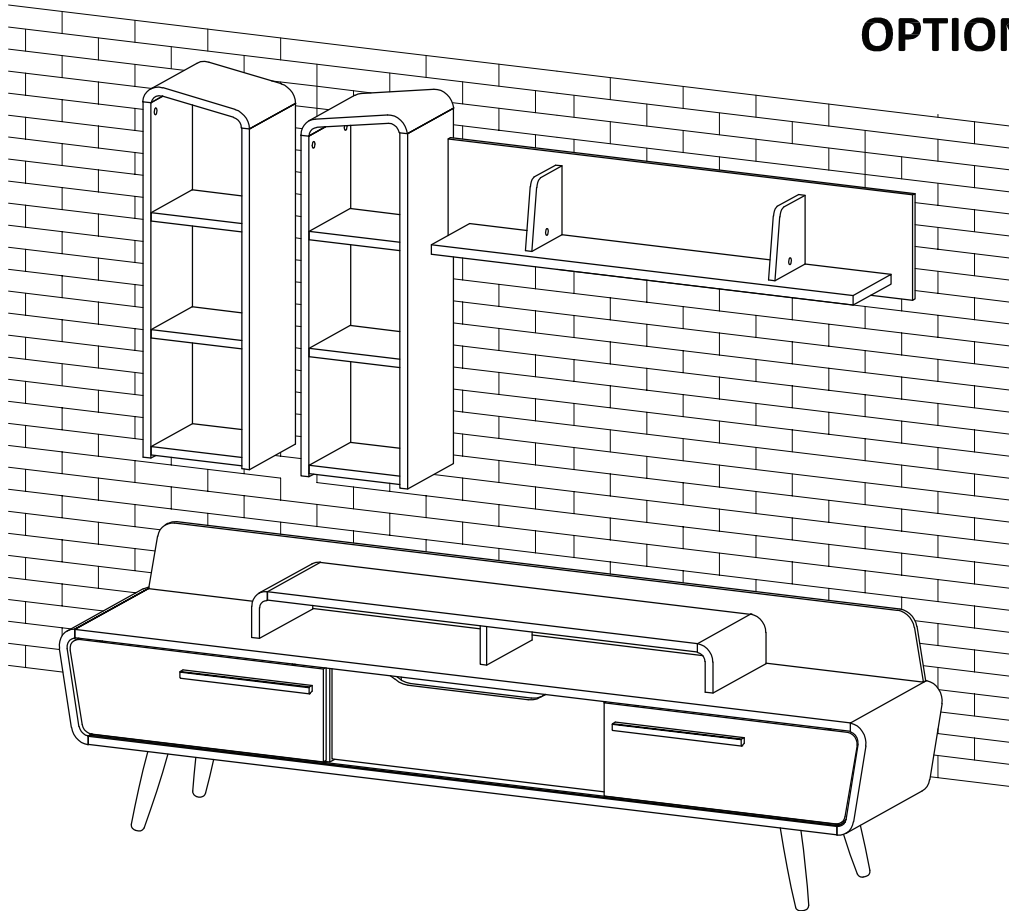
WALL UNIT

STEP 17:



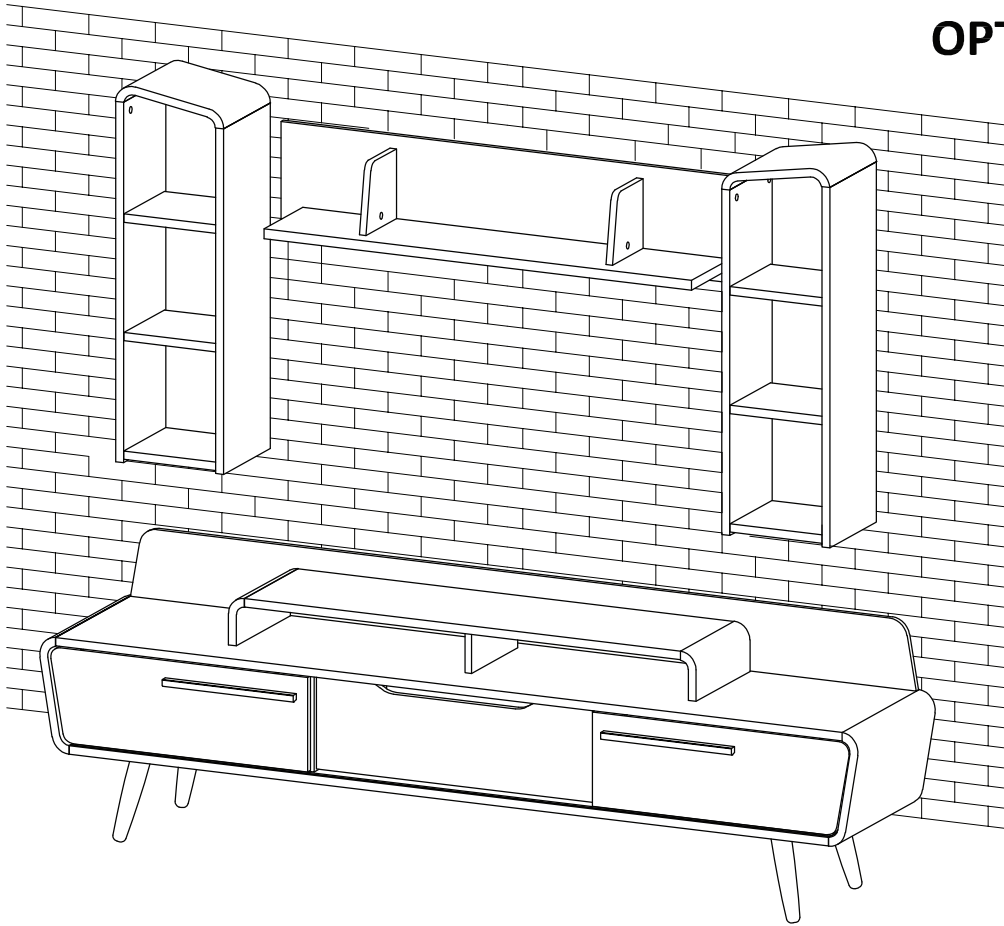
STEP 18:

OPTION 1



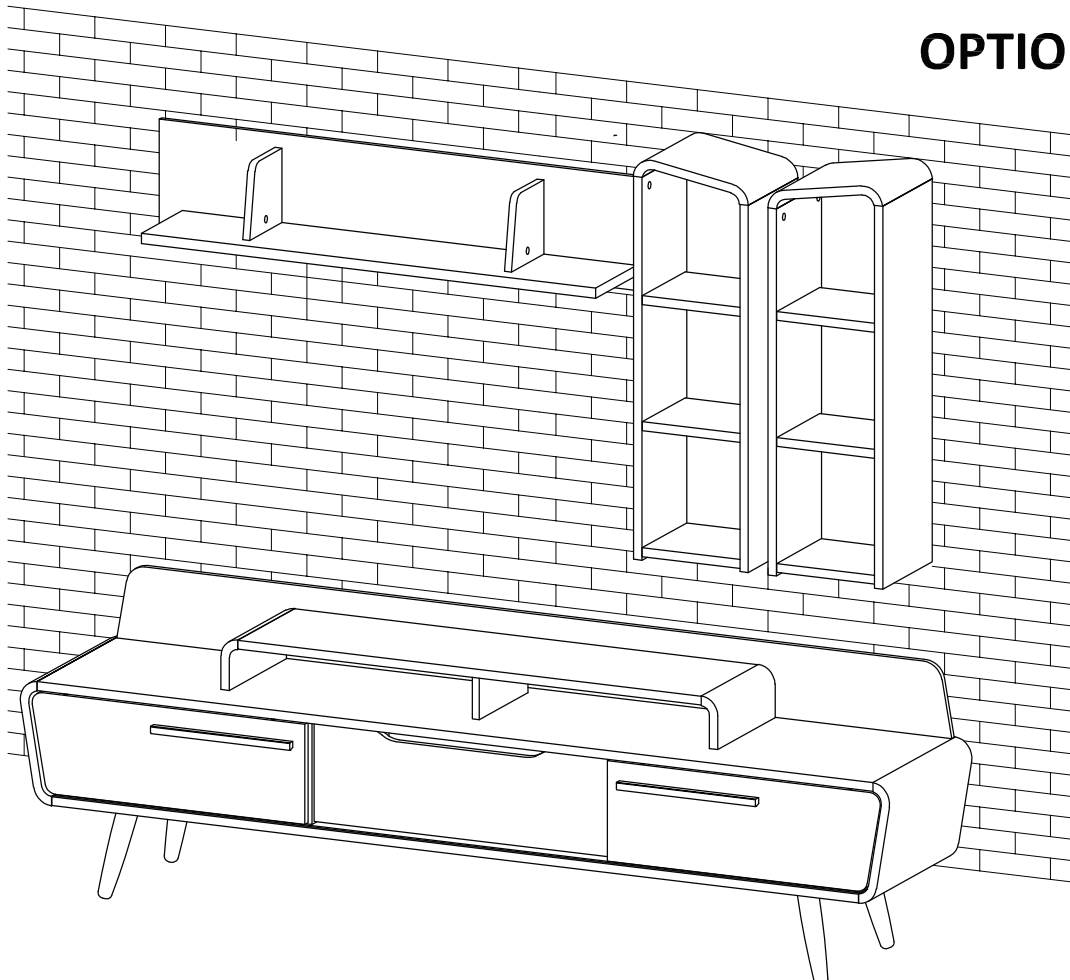
STEP 19:

OPTION 2



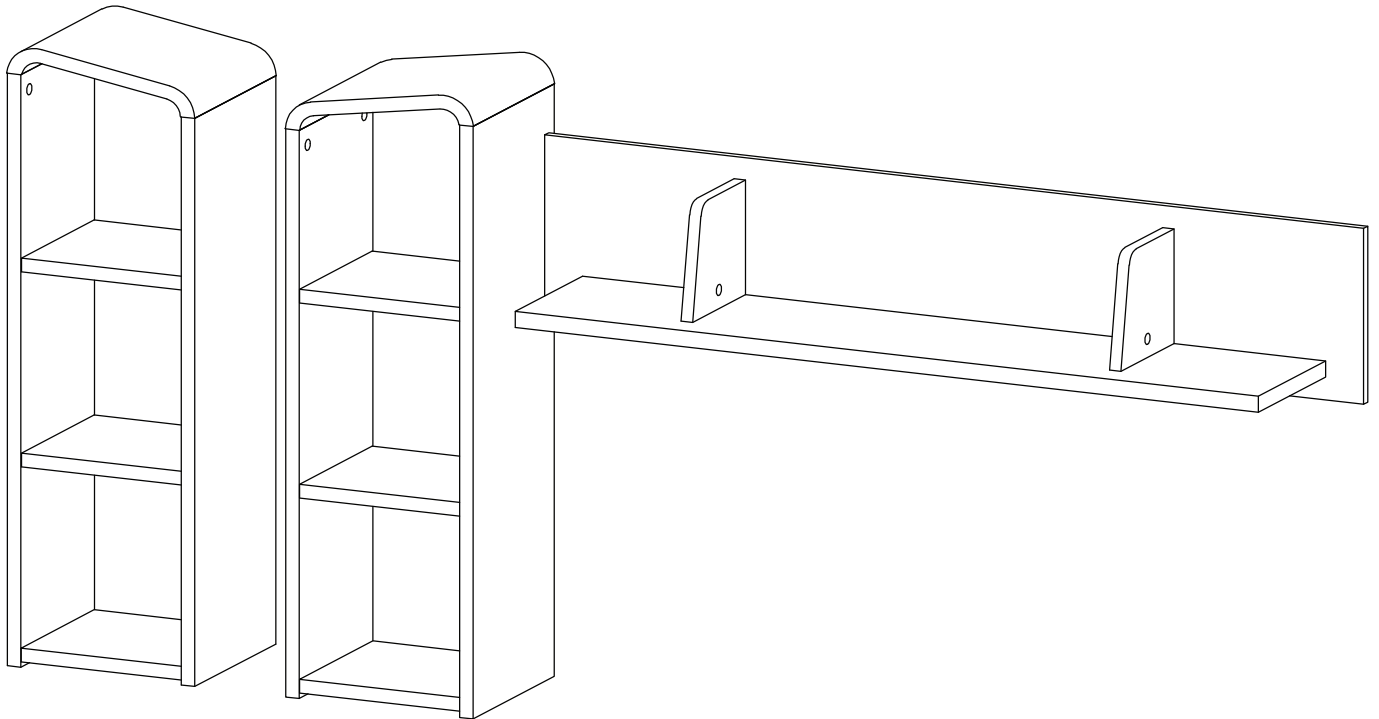
STEP 20:

OPTION 3



WALL UNIT

STEP 21:



Assembly is complete. The WALL UNIT is ready to enjoy now !