

# Installation & Assembly

## 4-Light Glass Pendant Light

**Caution:** Please turn off power before installation and read the manual carefully, we advise you contact professional electricians to install for safety purpose.

### Product Features

Style: Modern

Material: Metal, Glass

Base Type: E14

Light Source Included: NO

Voltage: 220VAC

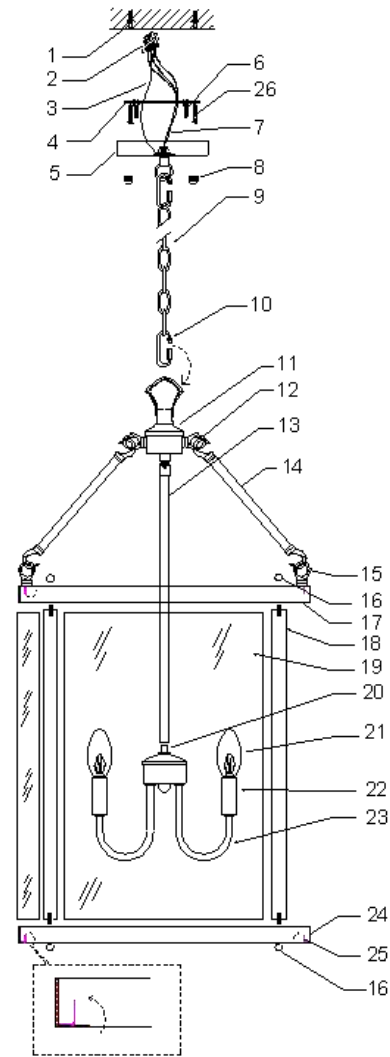
Wattage: 40W

### Package includes

1 x Pendant Light

1 x Accessories Kit

1 x User's Manual



### Installation Instructions

1. Thread the rod (13) through the light housing (11) and the main wire (7). Tighten it onto the threading (20) at the bottom of the cable barrel adjuster
2. Pass the hanging chain (9) and the canopy (5) through the main wire (7). Use the slip hook (10) to connect the hanging chain (9) to the upper hoisting ring of the light housing (11)
3. Connect the bottom metal hoop (24) to the side rod (18) using nuts (16) and tighten. Insert the glass shade (19) in it. Slide the bottom metal hoop (17) over the side rod (18) from above and secure it with nuts (16). Lift the clips inside the small metal slips (25) to hold the glass in place
4. Insert the ribbed plastic anchors (1) into the wall. Secure the back plate (4) to the ceiling using self-tapping screws (26)
5. Connect the positive "L" wire from the main wire of the lamp to the positive wire from the ceiling using wire caps. Similarly, connect the negative "N" wire from the main wire of the lamp to the negative wire from the ceiling using wire caps. Ensure no bare wires are exposed to prevent electrical leakage
6. Pass the canopy (5) through the threading (6), then tighten the cap nuts (8) to securely fix the lamp
7. Hook the upper end of the side rod (14) onto the hoisting ring (12) and the lower end onto the hoisting ring (15). Connect the glass shade to the lamp body
8. Finally, screw the light bulb (not included)(21) tightly into the lamp holder (22)

**Note:** please use this product accordingly to its intended purpose, do not retrofit or remodeling the product. The warranty does not cover if the failure is caused by the third party product, or natural disasters.