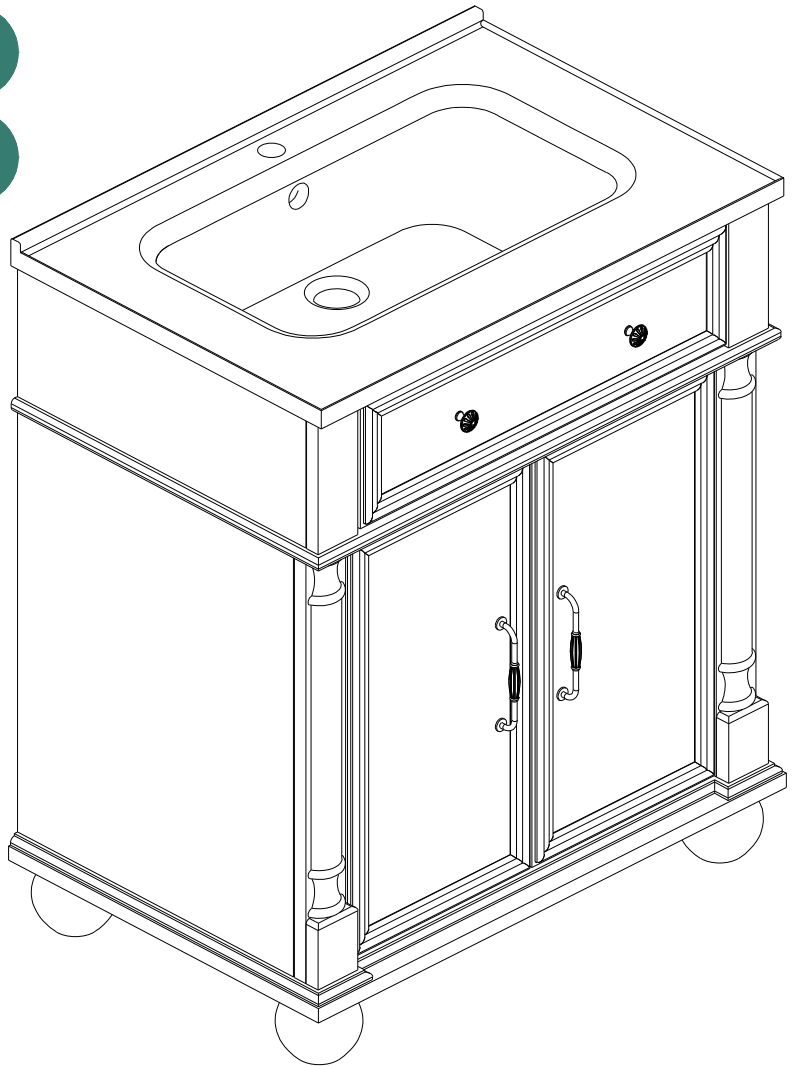


ASSEMBLY INSTRUCTIONS

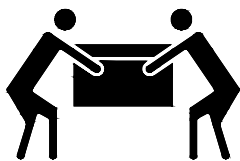
HYBC-006-G

HYBC-006-W

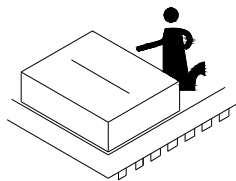


Notice:

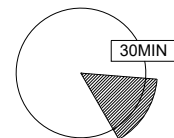
1. Follow the installation instructions. Please confirm all accessories are preset before installation.
2. Do not fully tighten the screws during initial assembly. Fully tighten screws only once all pieces which are correctly assembled.
3. If you encounter any problems during installation, please contact our customer service.
4. Please unbox the item from the side with an open-label and put a carpet on the floor to avoid scratching it.



Recommended installers:2



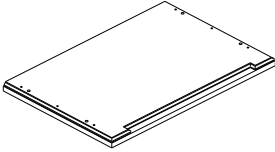
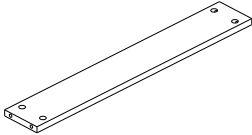
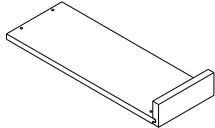
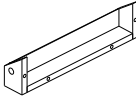
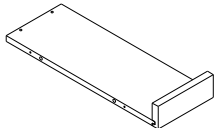
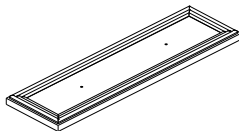
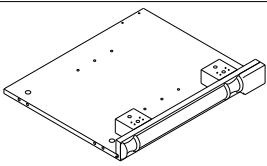
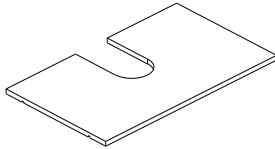
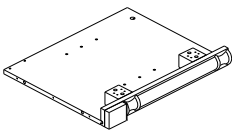
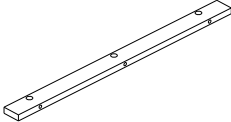
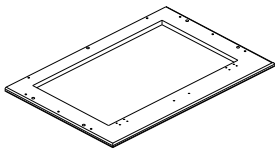
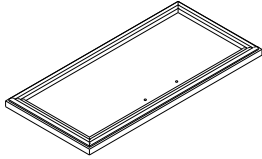
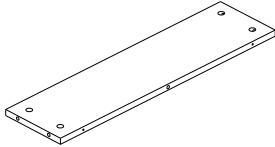
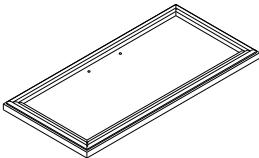
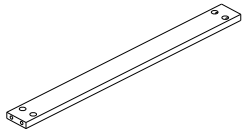
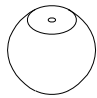
Put a carpet on the floor
before unpacking



Estimate installation time:
30minutes

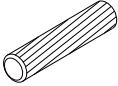
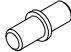
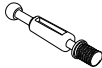

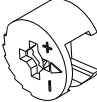
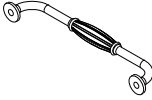


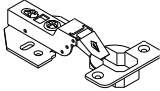
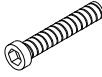
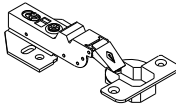
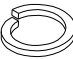
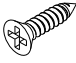

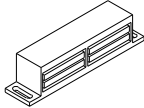
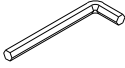
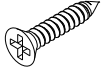
ASSEMBLY INSTRUCTIONS

PART LIST

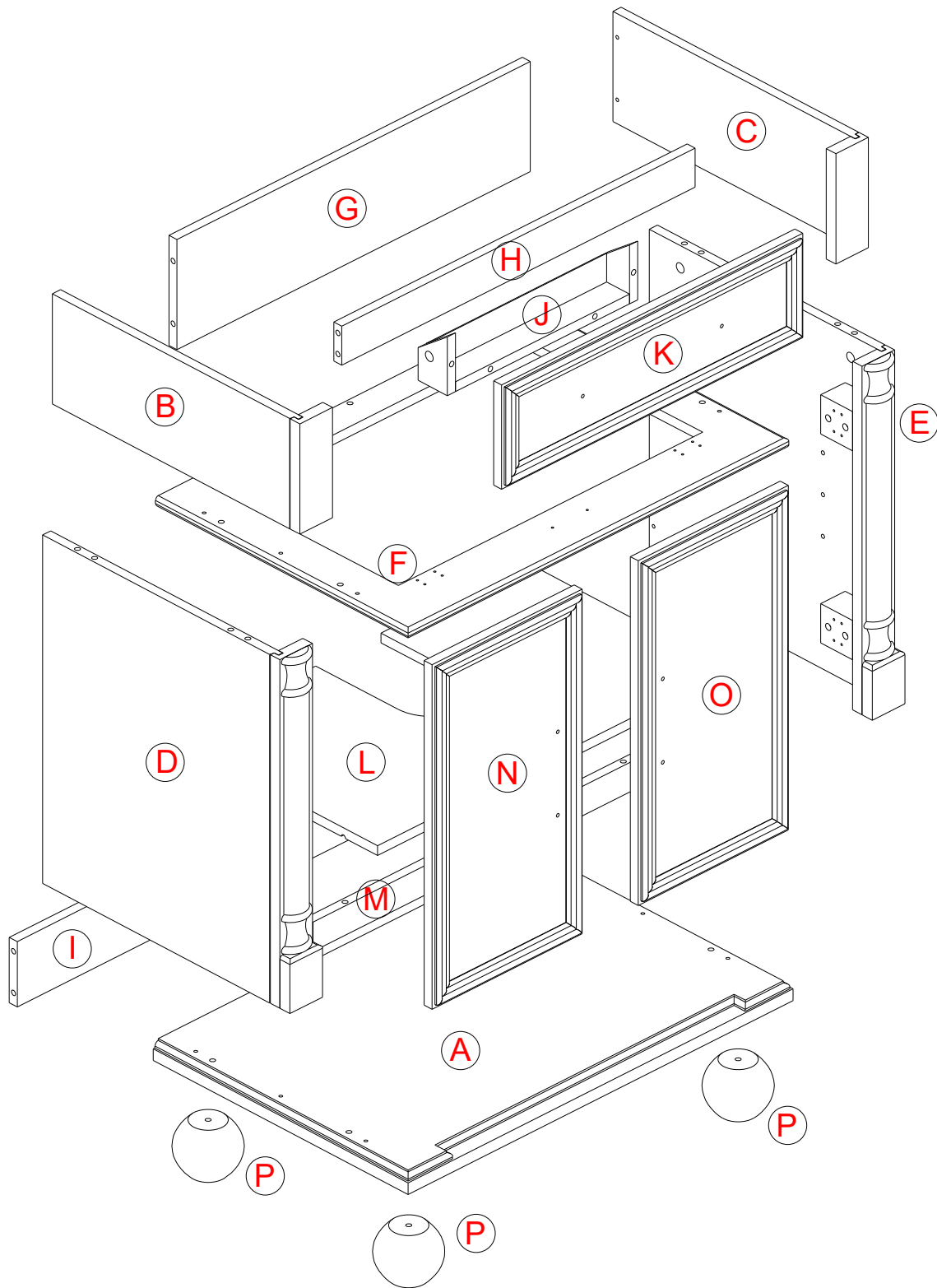
Item no.	Reference Image	Qty	Item no.	Reference Image	Qty
(A)		X1	(I)		X1
(B)		X1	(J)		X1
(C)		X1	(K)		X1
(D)		X1	(L)		X1
(E)		X1	(M)		X1
(F)		X1	(N)		X1
(G)		X1	(O)		X1
(H)		X1	(P)		X4

ASSEMBLY INSTRUCTIONS

HARDWARE LIST

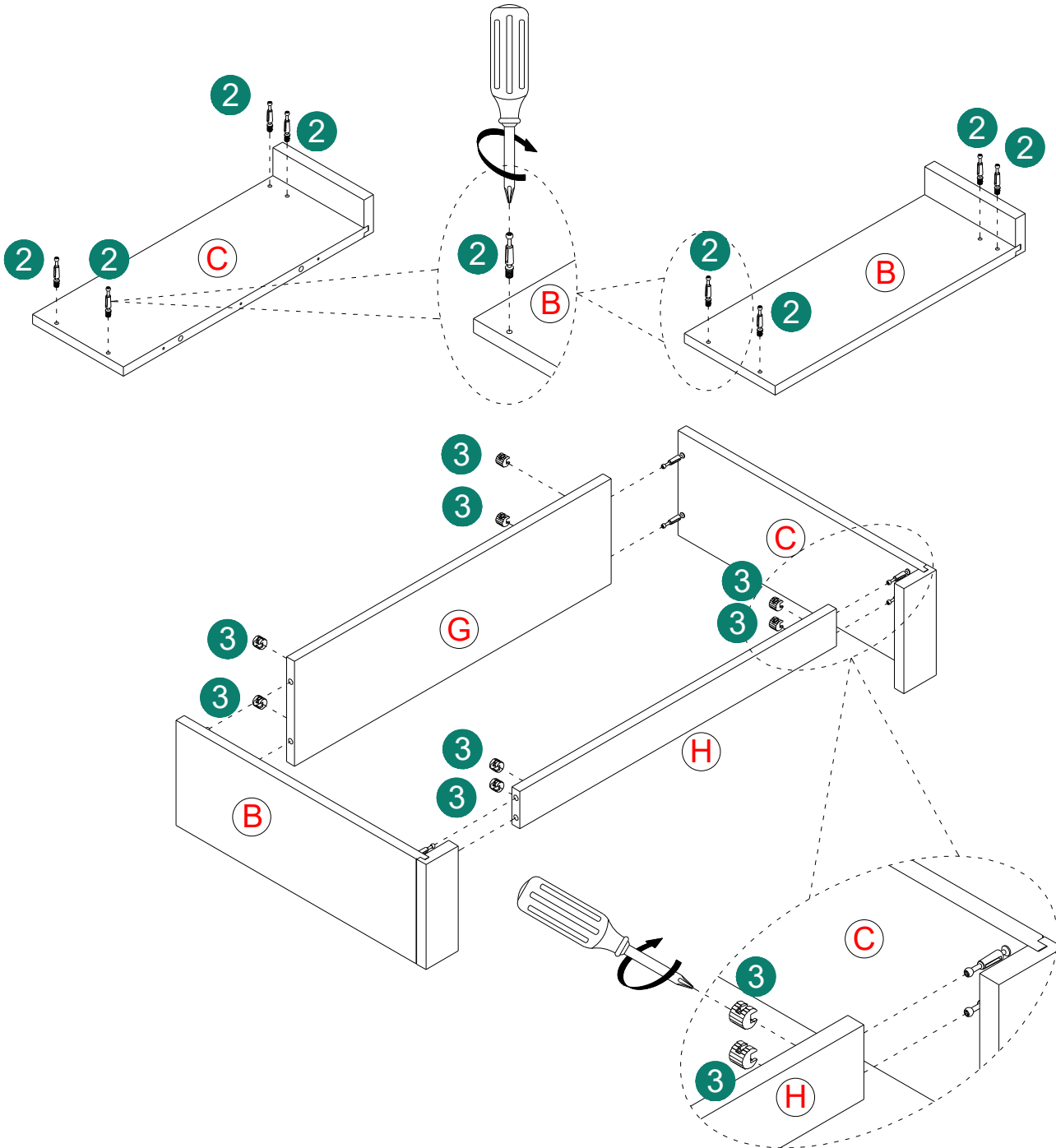
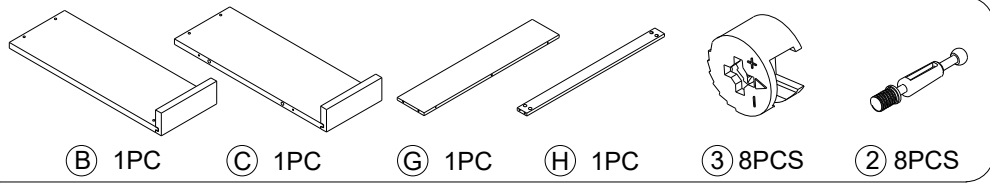
Item no.	Reference Image	Qty	Item no.	Reference Image	Qty
1	 Ø8*30mm	X13+1	10		X4
2		X23+2	11		X2
3		X23+2	12		X2
4	 Ø3.5*50mm	X14+1	13	 Ø5*3/4"	X6
5		X4	14	 Ø1/4"*2"	X4
6		X2	15		X4
7	 Ø3*14mm	X36+3	16	 Ø1/4"*1.0T*D12mm	X4
8		X1	17		X1
9	 Ø3*16mm	X2			

ASSEMBLY INSTRUCTIONS



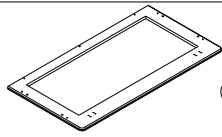
ASSEMBLY INSTRUCTIONS

1



ASSEMBLY INSTRUCTIONS

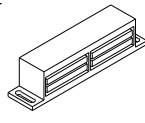
2



F 1PC



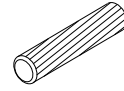
Ø3.5*50mm
4 8PCS



8 1PCS



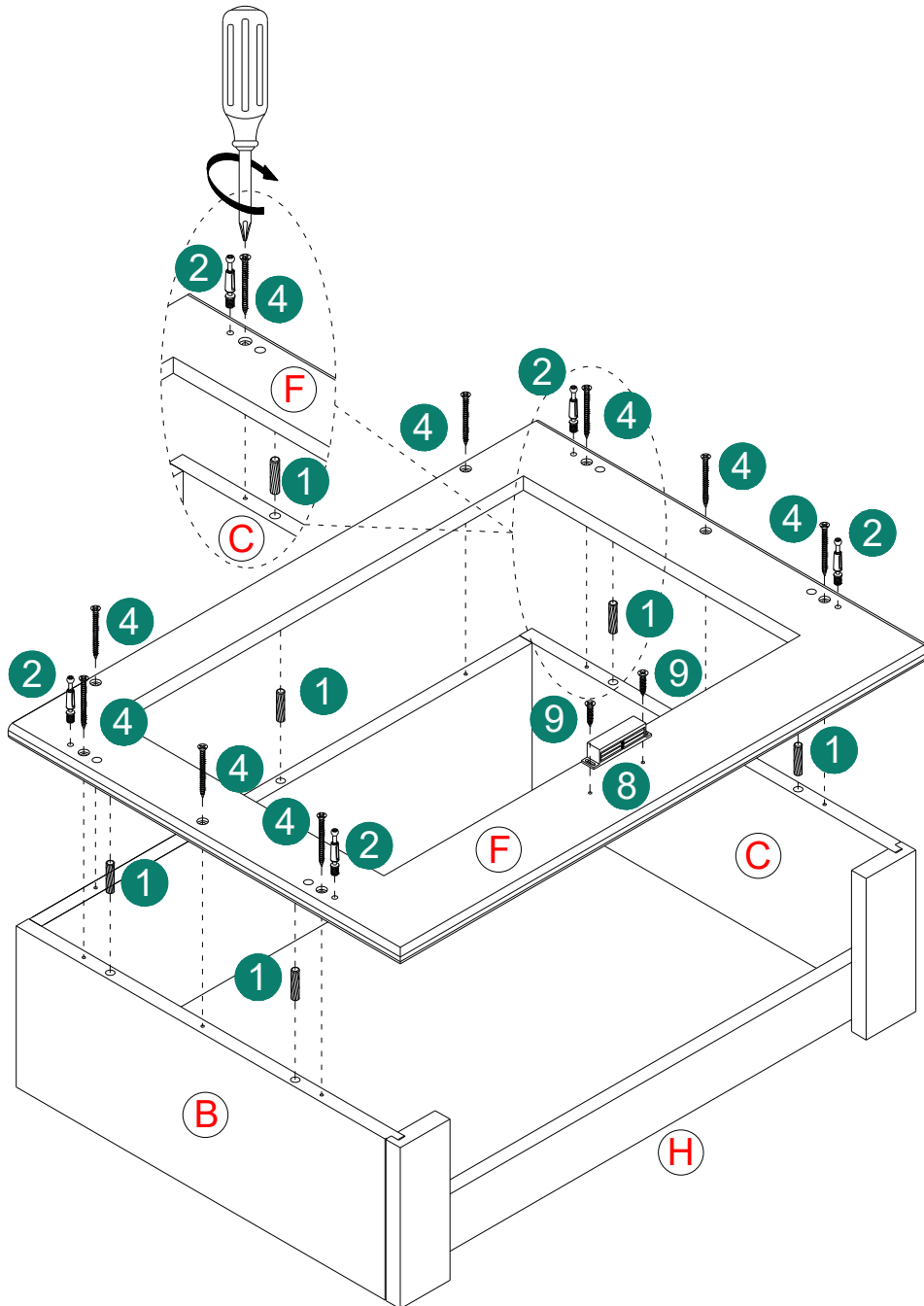
Ø3*16mm
9 2PCS



1 5PCS

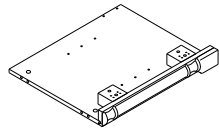


2 4PCS

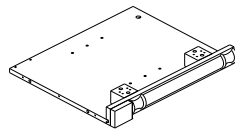


ASSEMBLY INSTRUCTIONS

3



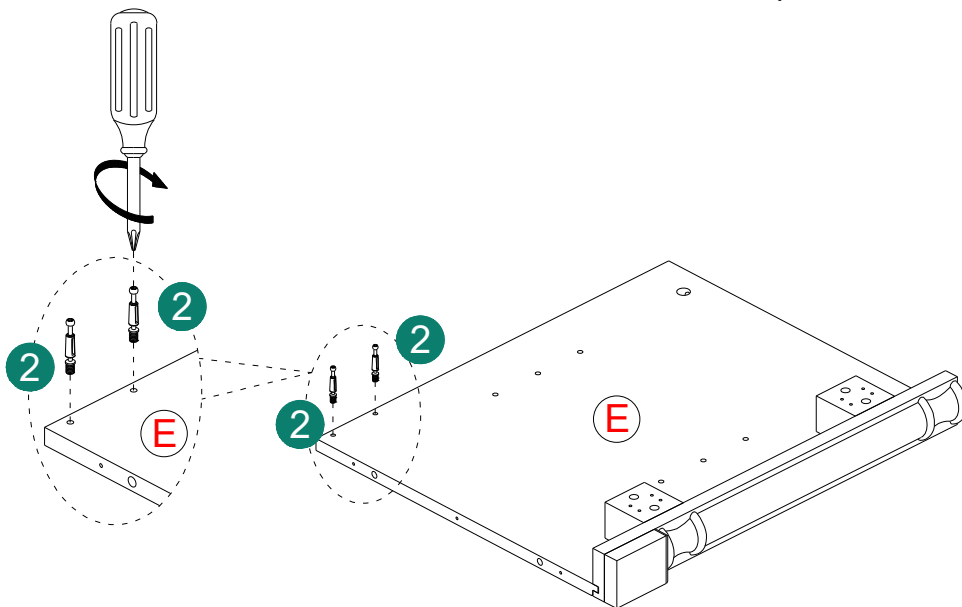
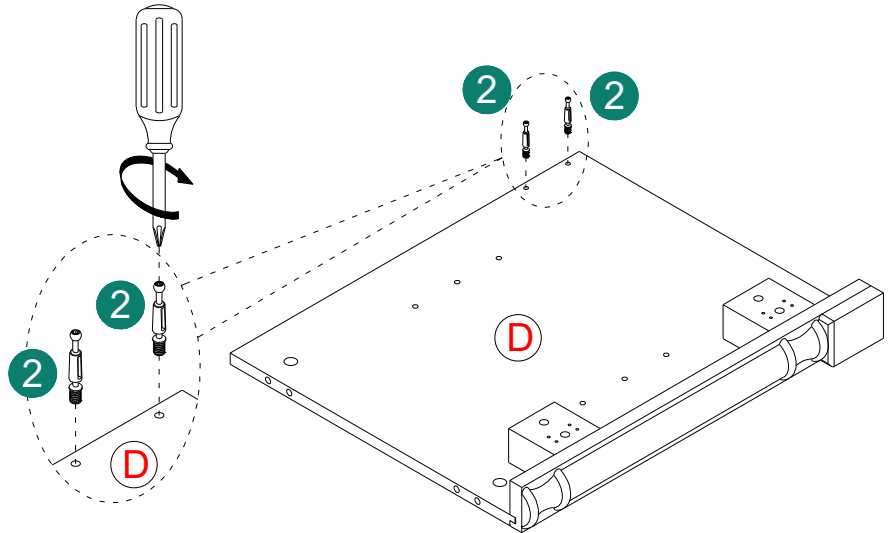
ⓓ 1PC



ⓔ 1PC

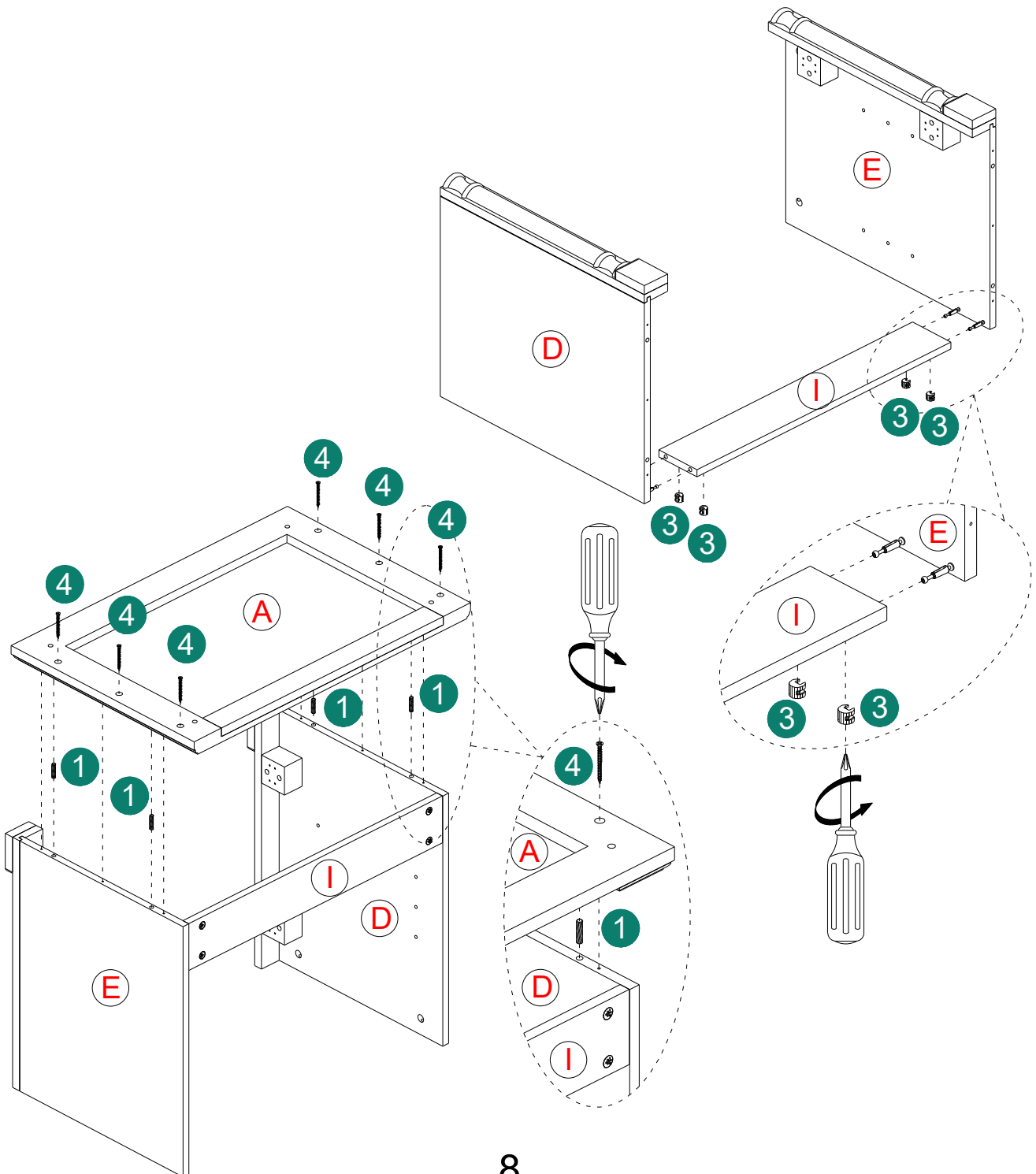
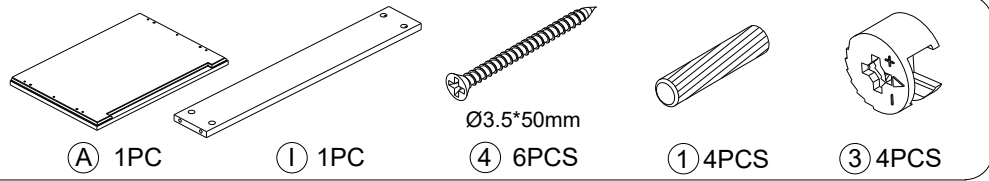


② 4PCS



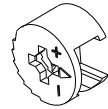
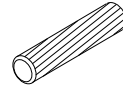
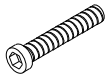
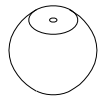
ASSEMBLY INSTRUCTIONS

4



ASSEMBLY INSTRUCTIONS

5



Ø1/4"×2"

(P) 4PC

(14) 4PCS

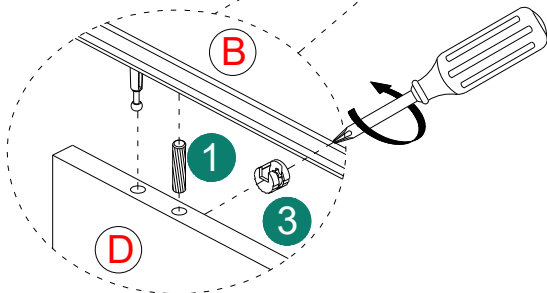
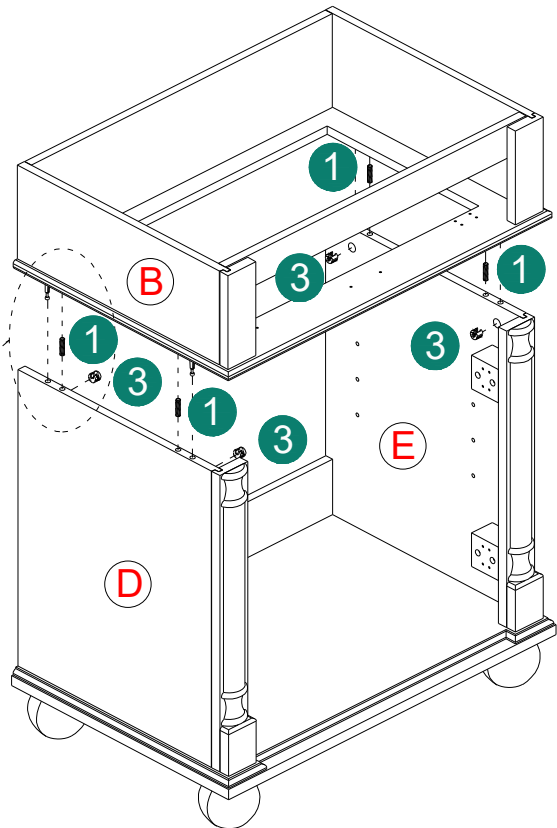
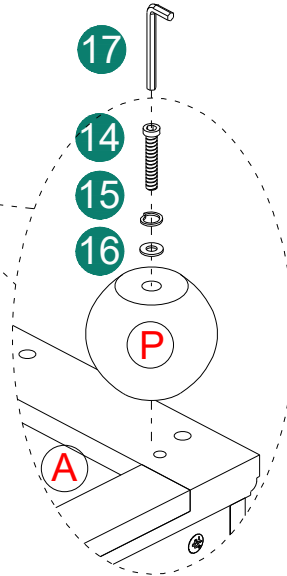
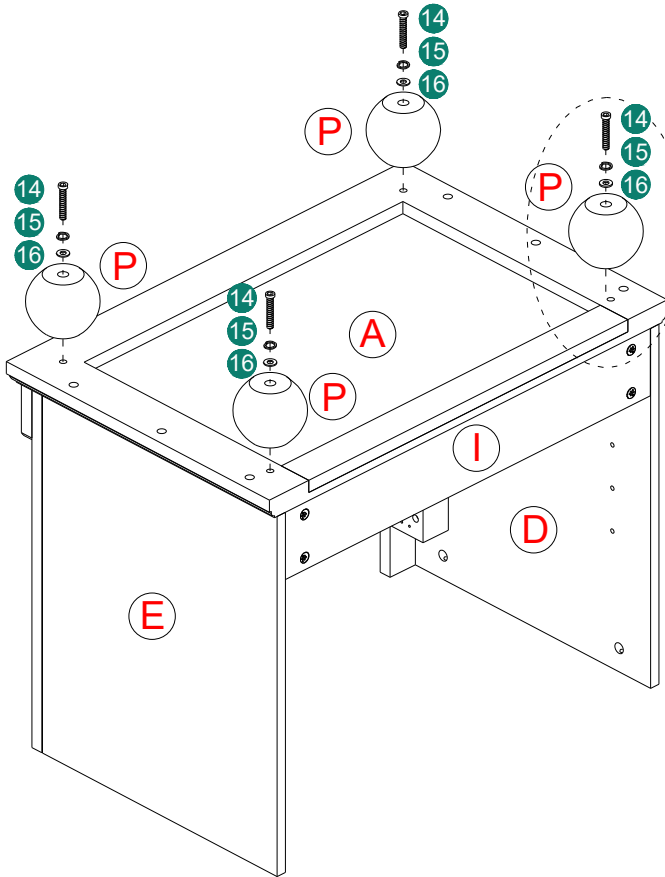
(15) 4PCS

(16) 4PCS

(17) 1PCS

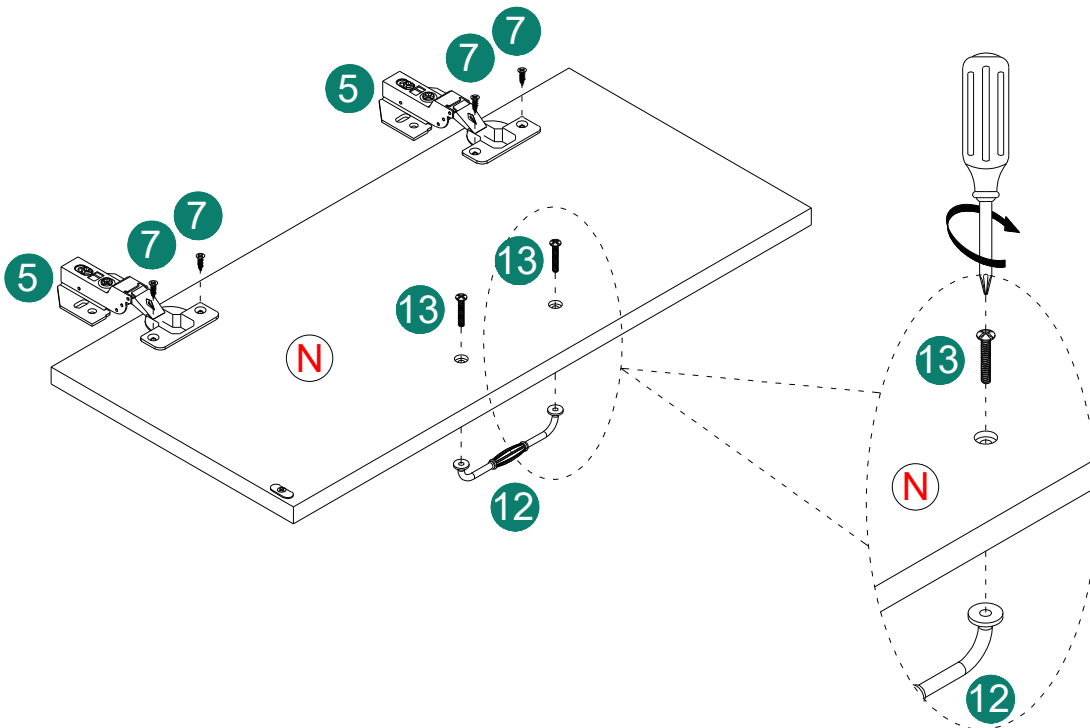
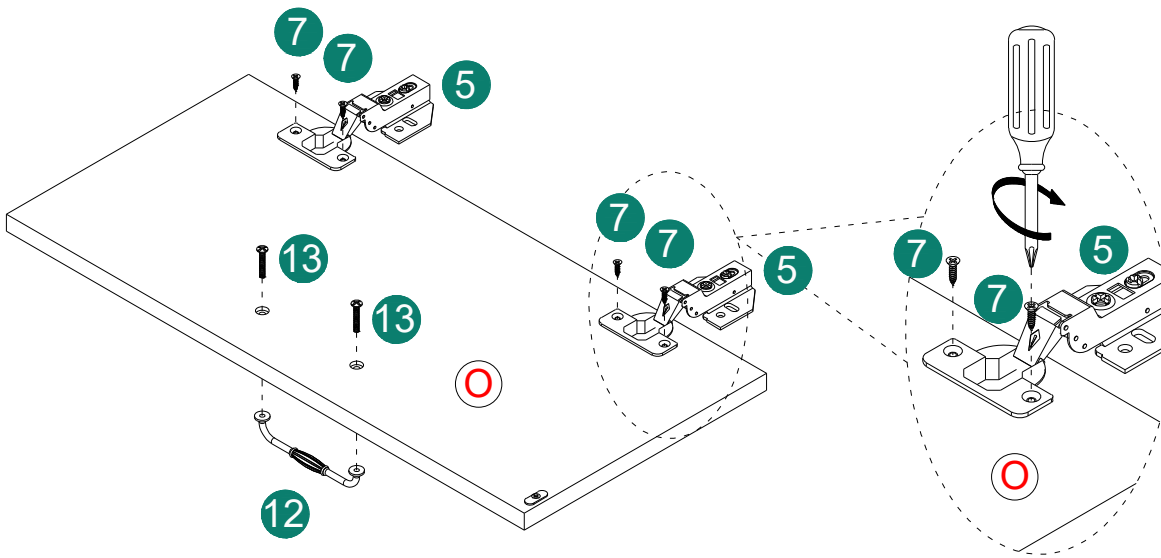
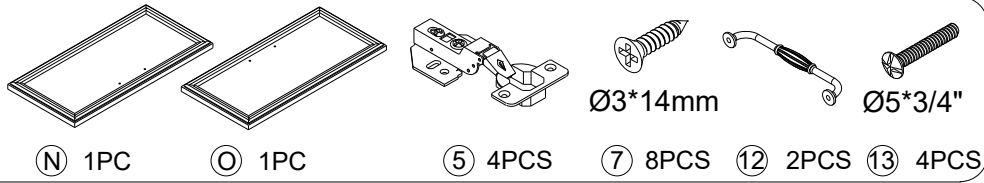
(1) 4PCS

(3) 4PCS



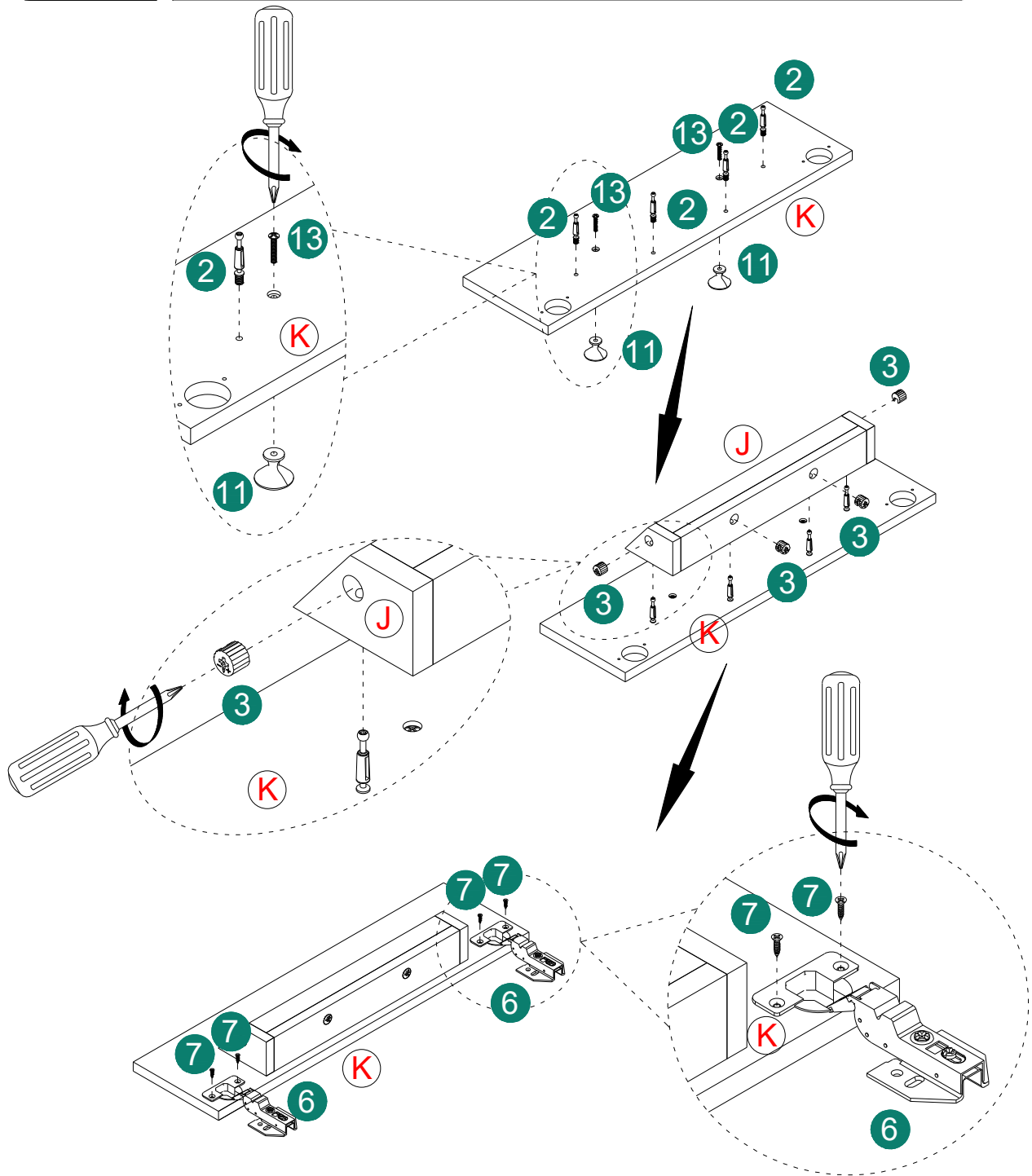
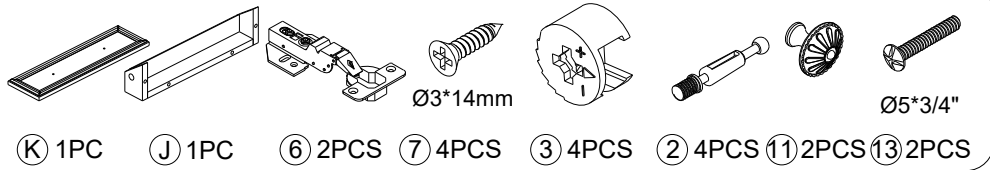
ASSEMBLY INSTRUCTIONS

6



ASSEMBLY INSTRUCTIONS

7



ASSEMBLY INSTRUCTIONS

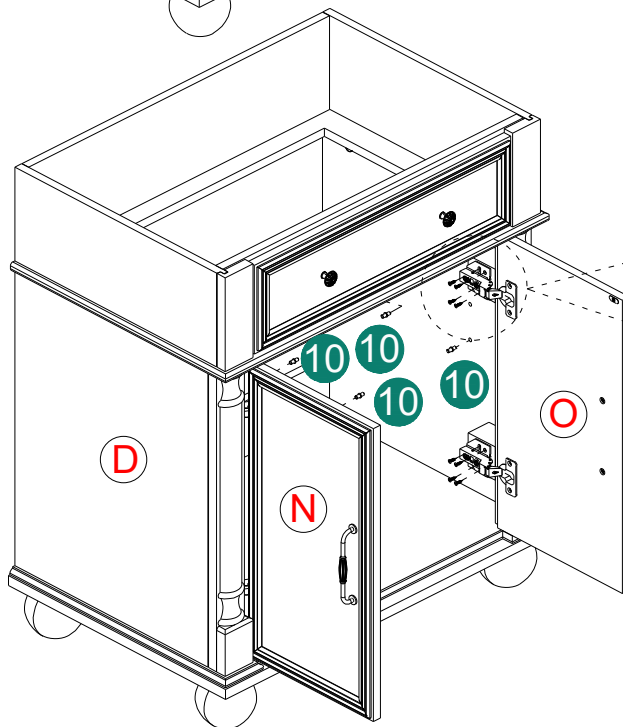
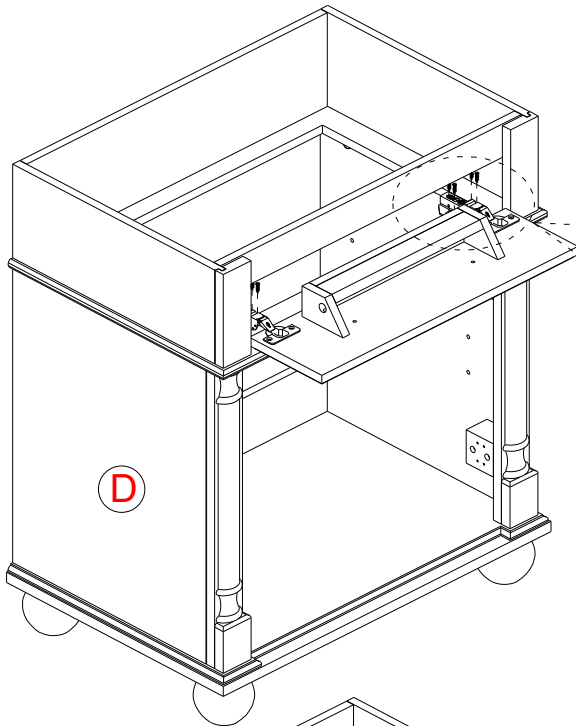
8



⑧ 24PCS

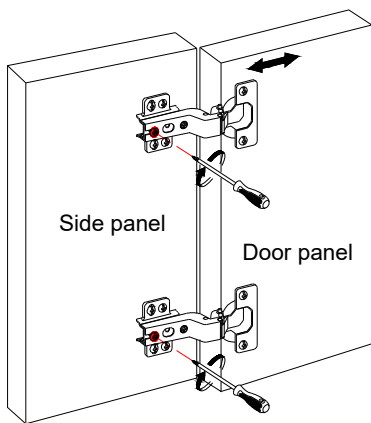


⑪ 4PCS



ASSEMBLY INSTRUCTIONS

9

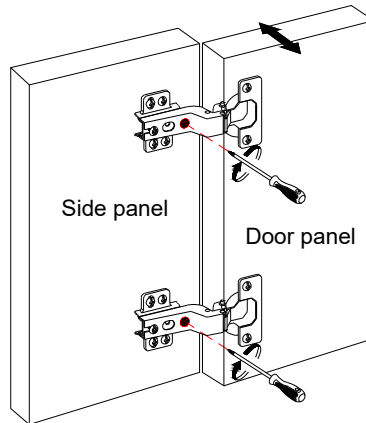


①

Front-to-Back Direction Adjustment:

Rotate the screws on the door hinges shown in the image. The door panel can be moved front-back.

Adjustment range: 4mm

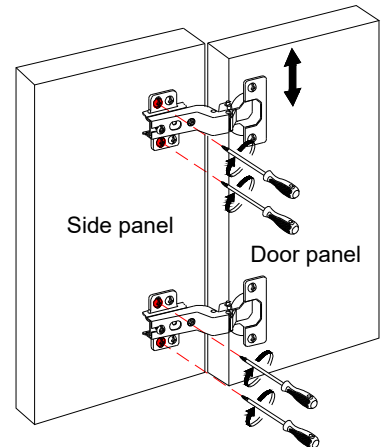


②

Left-Right Direction Adjustment:

Rotate the screws on the door hinges shown in the image. The door panel can be moved left-right.

Adjustment range: 3mm



③

Up-Down Direction Adjustment:

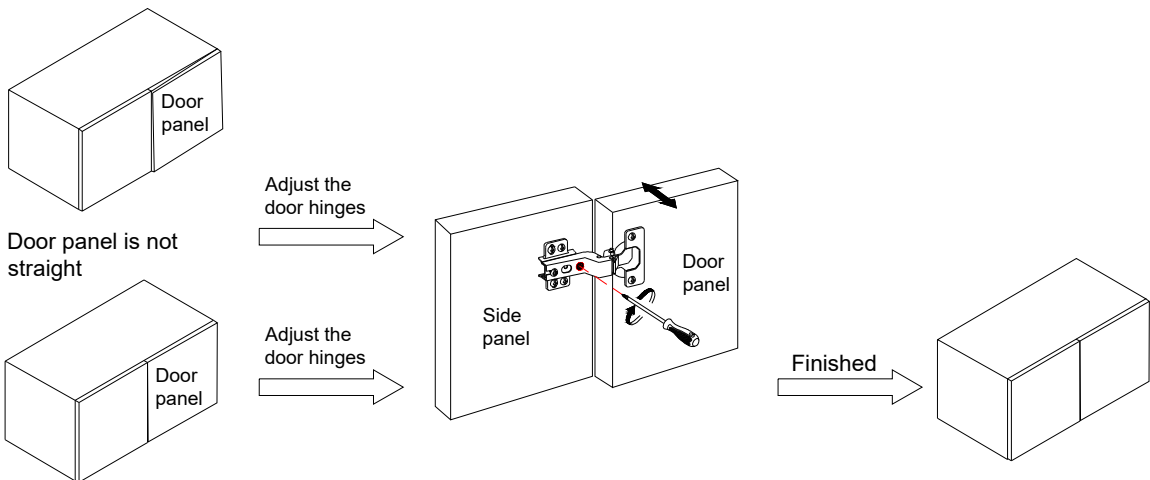
Rotate the screws on the door hinges shown in the image. The door panel can be moved up-down.

Adjustment range: 4mm

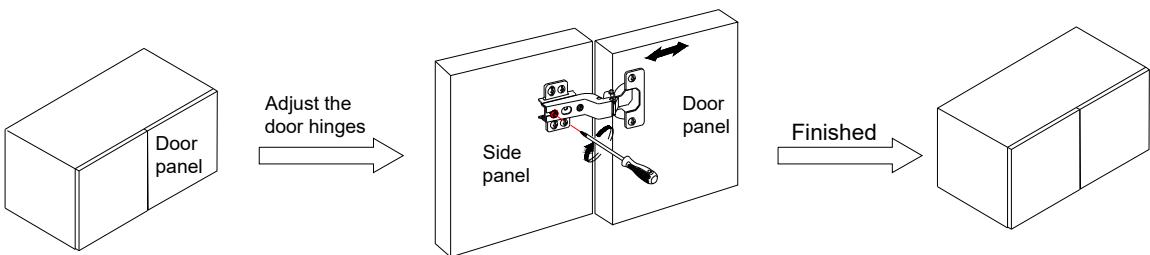
ASSEMBLY INSTRUCTIONS

10

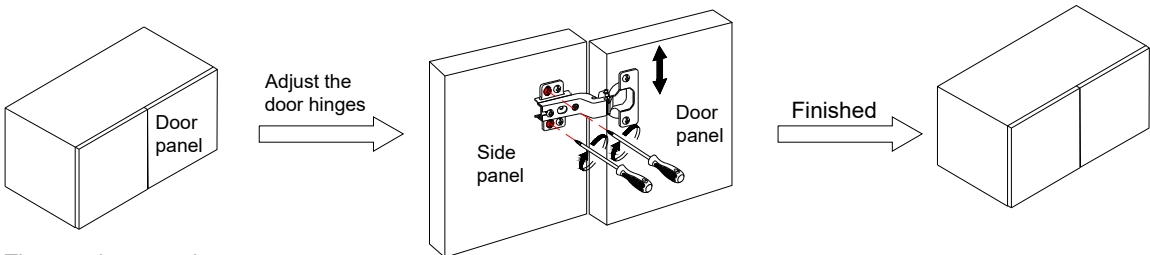
Common Door Panel Issues:



The gap between door panels is too large



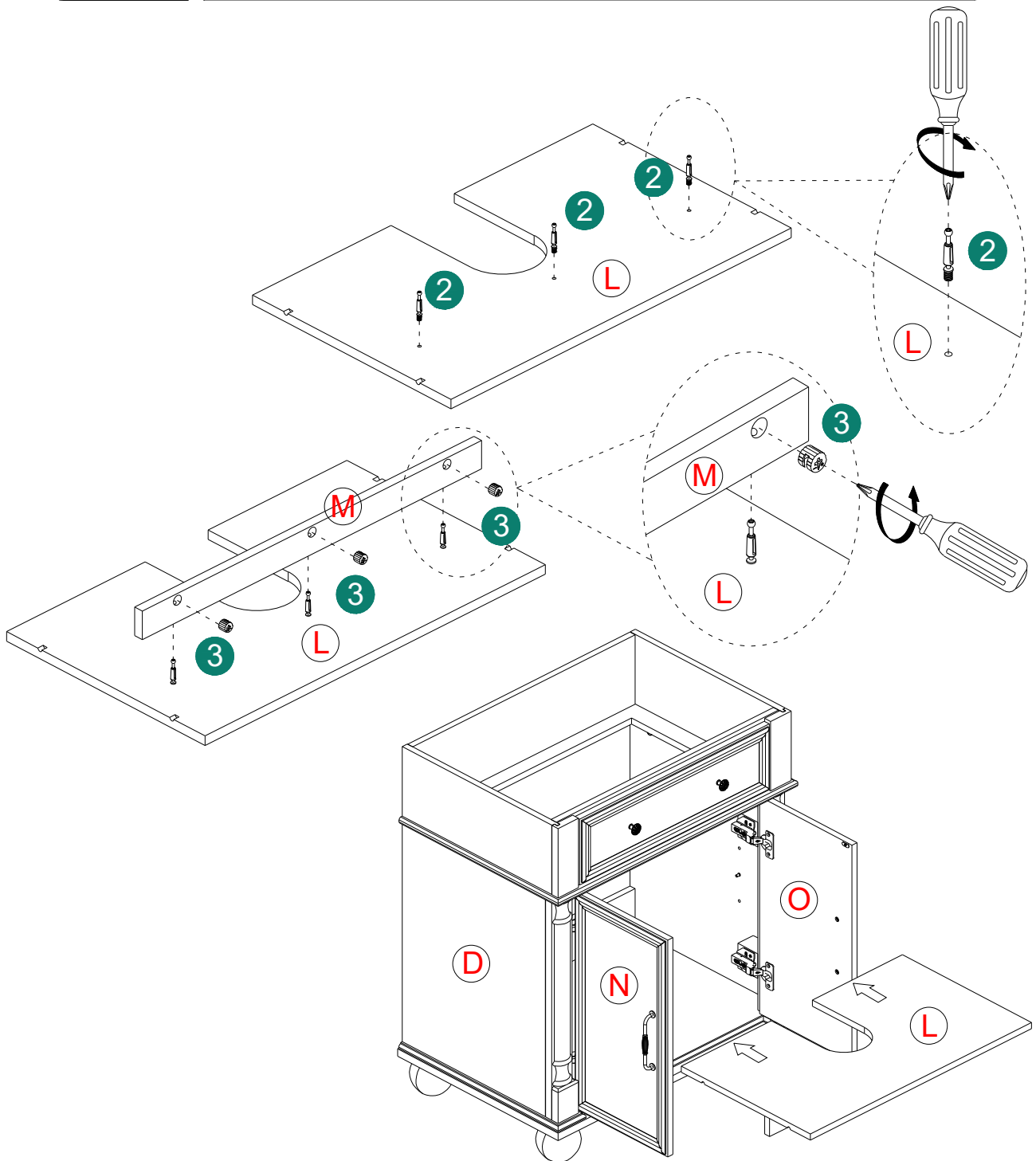
The door panels are not coplanar



The two door panels are not at the same height

ASSEMBLY INSTRUCTIONS

9



ASSEMBLY INSTRUCTIONS

10

