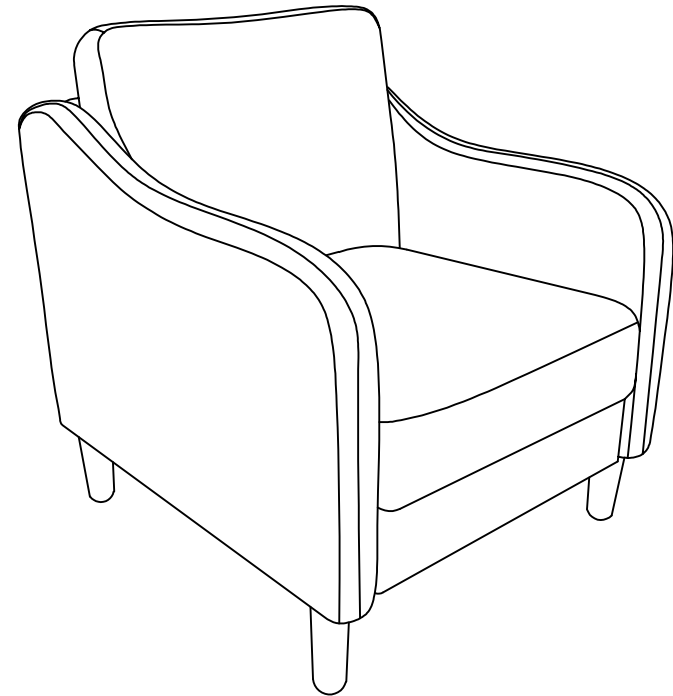


EDALYNN MODERN ACCENT CHAIR

DESIGN# SFA2002

Assembly Instructions



Need help?

Feel free to contact us via email or call
if you have any specific questions!

contact us:

cs@safavieh.com

866-422-9070

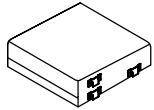
SAFAVIEH
C O N T U R E

Thanks for bringing Safavieh Couture into your home

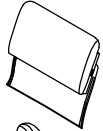
Everything we make is incredibly simple to set up, including your new chair. you won't need any additional tools.

PARTS LIST:

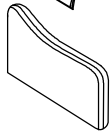
Ax1
Seat Base



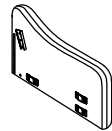
Bx1
Backrest



Cx1
LAF Arm



Dx1
RAF Arm



Ex4
Legs



Fx1
Crossbar



HARDWARE LIST:

HW1x2
Bolt 6.35*40mm



HW2x2
Flat washer 6.35*16*1.5mm

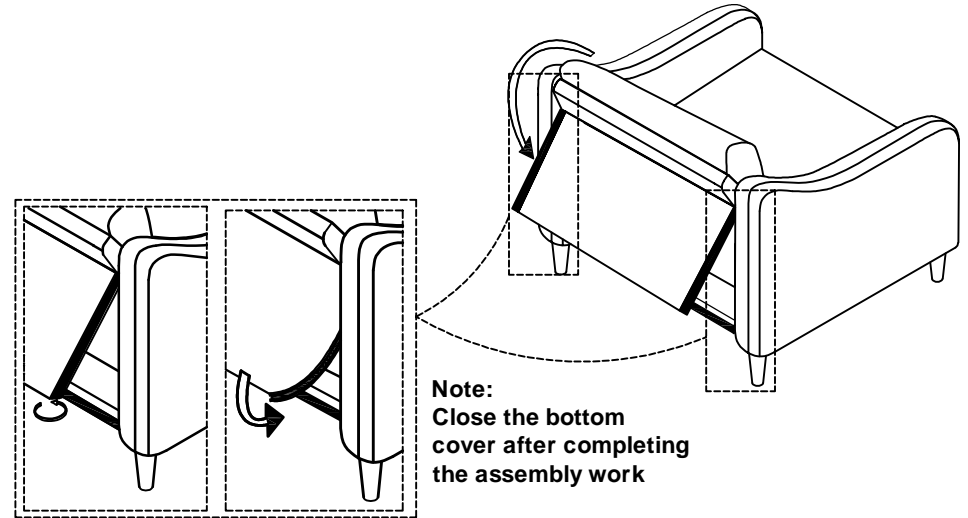


HW3x1
Allen key M4*59



5

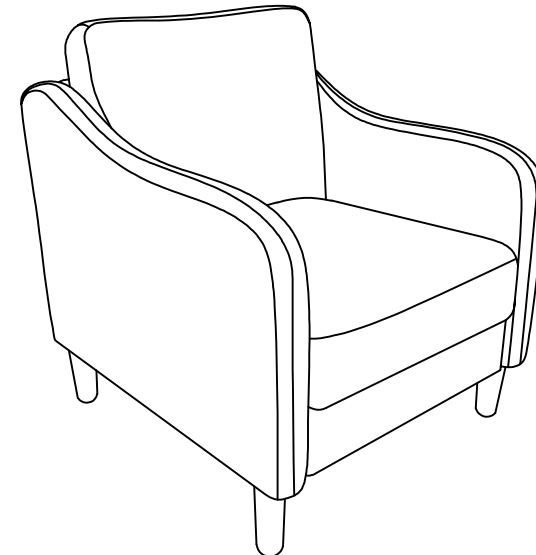
Secure the fabric cover to the back of the stretcher and the inside of the back of the arm by aligning the Velcro and firmly pressing into place.



6

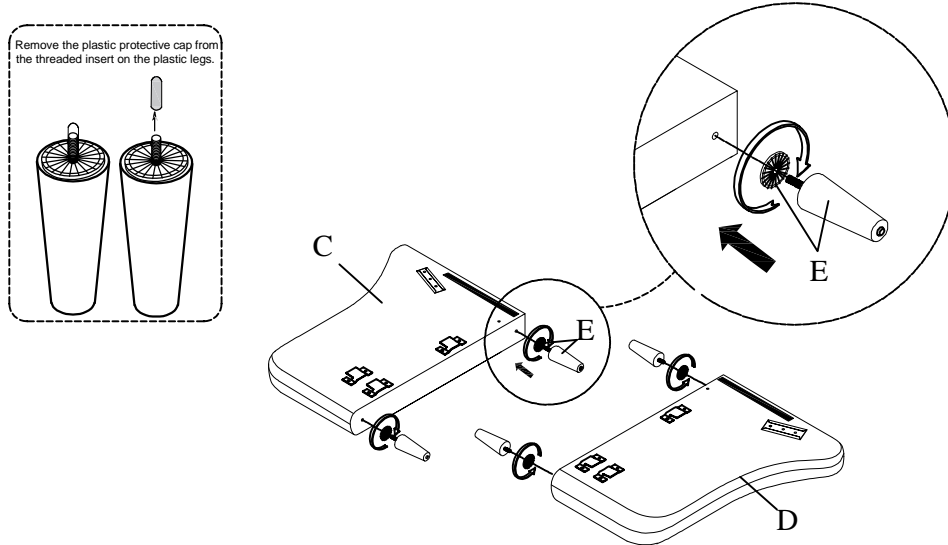
Place the chair in the place where you will use it. We'd love to see it – just tag us (we're @safavieh) and use the hashtag #safavieh on Instagram!

@safavieh



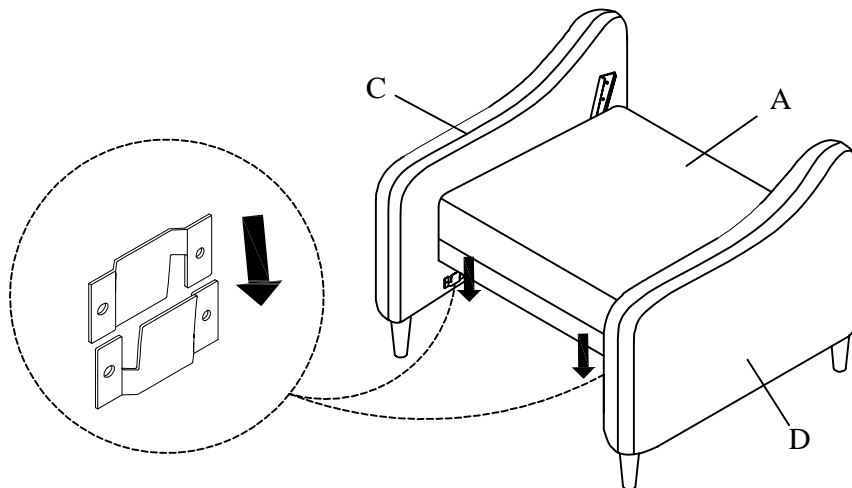
1

Screw the legs (E) clockwise into the Left arm rest (C) and right arm rest (D). Turn until they are fully tightened.



2

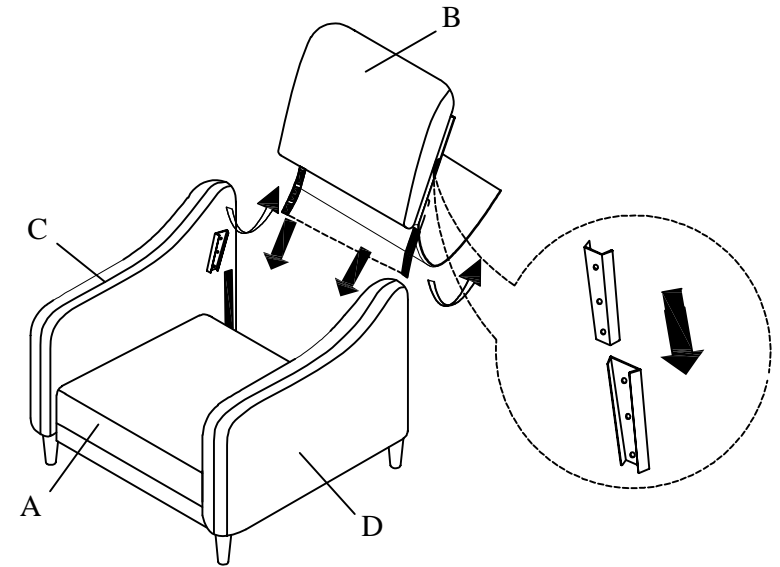
Align the hooks on the sides of the seat base (A) to the hooks on the insides of the arms (C&D). Push down firmly until they are secure.



3

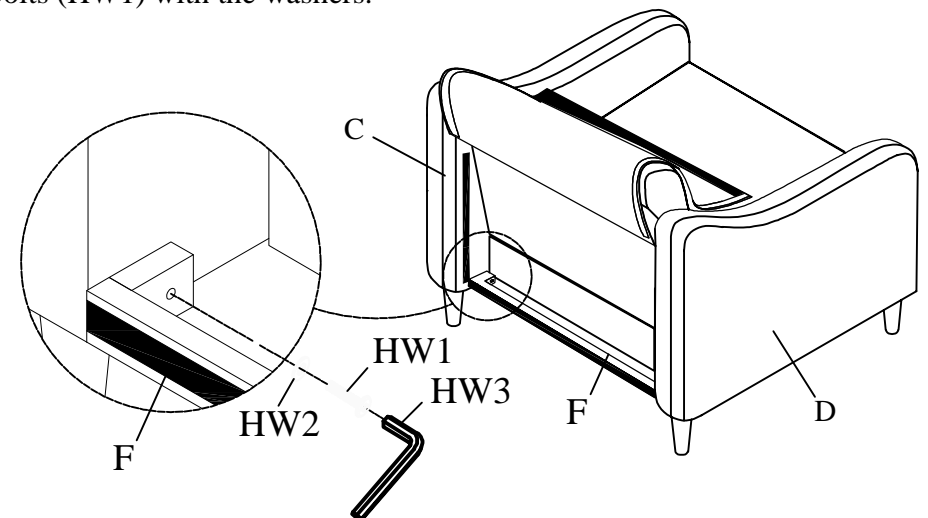
3

Align the brackets on the sides of the backrest (B) to the brackets on the insides of the arms (C&D). Push down from the top to secure the back.



4

Place the Flat washers (HW2) on the bolts (HW1). Align the screw holes on the crossbar (F) to the screw holes inside the arms, on the back side of the chair. Attach the crossbar (F) by using the Allen key (HW3) to screw in the bolts (HW1) with the washers.



4