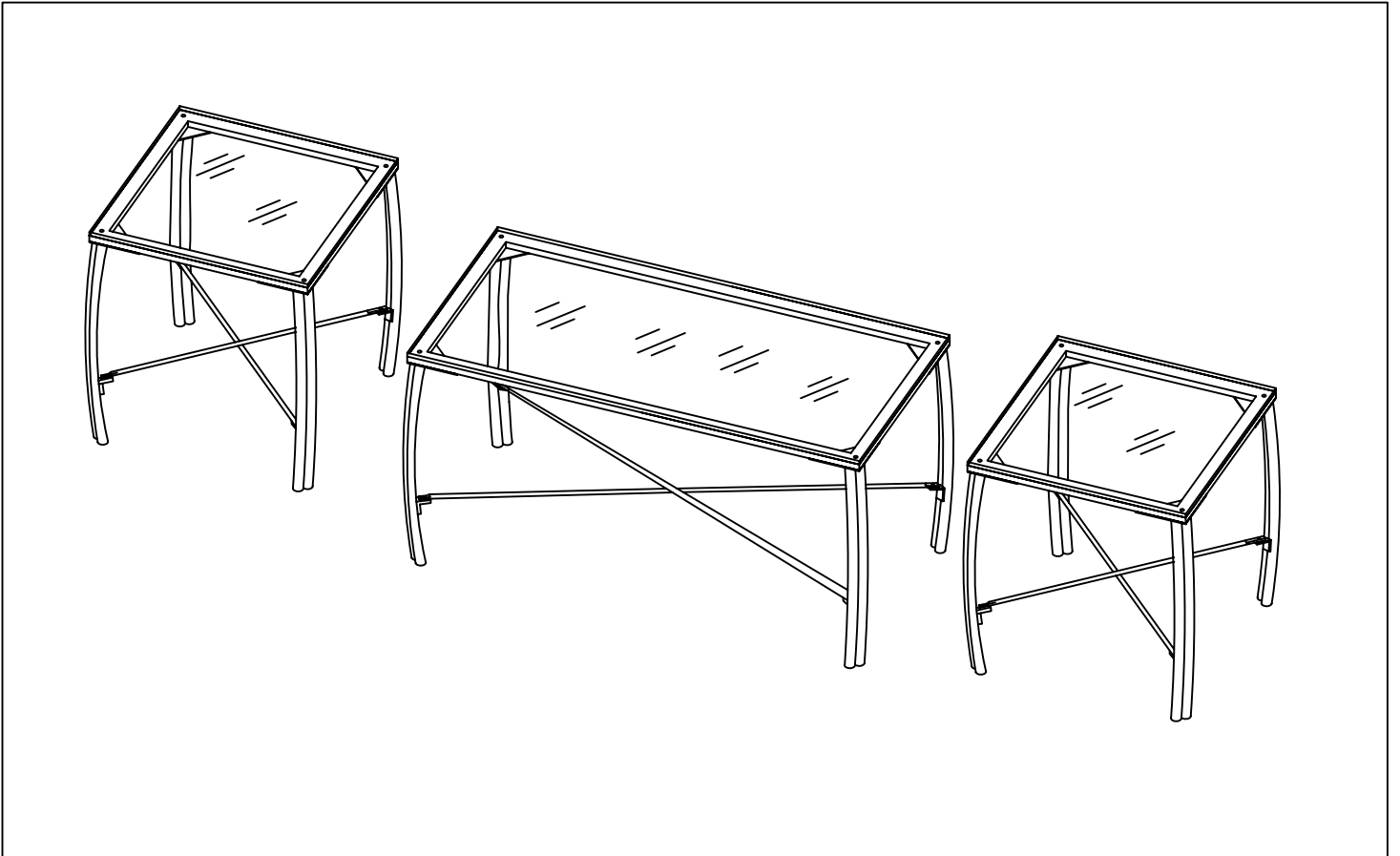
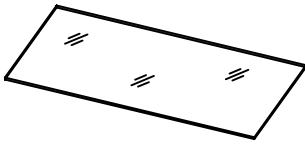


ASSEMBLY INSTRUCTIONS

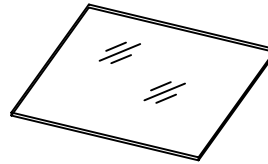
COFFEE TABLE



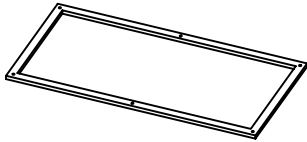
A1 COFFEE TABLE TOP GLASS PANEL
1PC



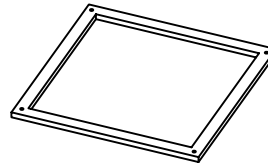
A6 END TABLE TOP GLASS PANEL
2PCS



A2 SURFACE FRAME 1PC



A7 SURFACE FRAME 2PCS



A3 SHORT LEG (for coffee table)

2PCS



A8 LONG LEG (for end tables)

8PCS

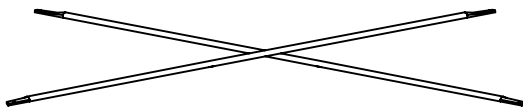


A4 SHORT LEG (for coffee table)

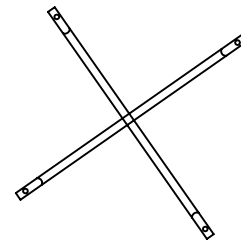
2PCS



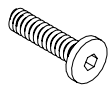
A5 COFFEE TABLE LEG STRETCHERS
1PC



A9 END TABLE LEG STRETCHER
2PCS



B1



BOLTS $\frac{1}{4} \times \frac{1}{2}$ " L (12mm)

24sets

B2



BOLTS $\frac{1}{4} \times \frac{3}{8}$ " L (9mm)

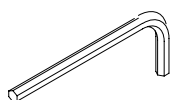
12sets

B3



SUCTION CUP (for top glass panel)

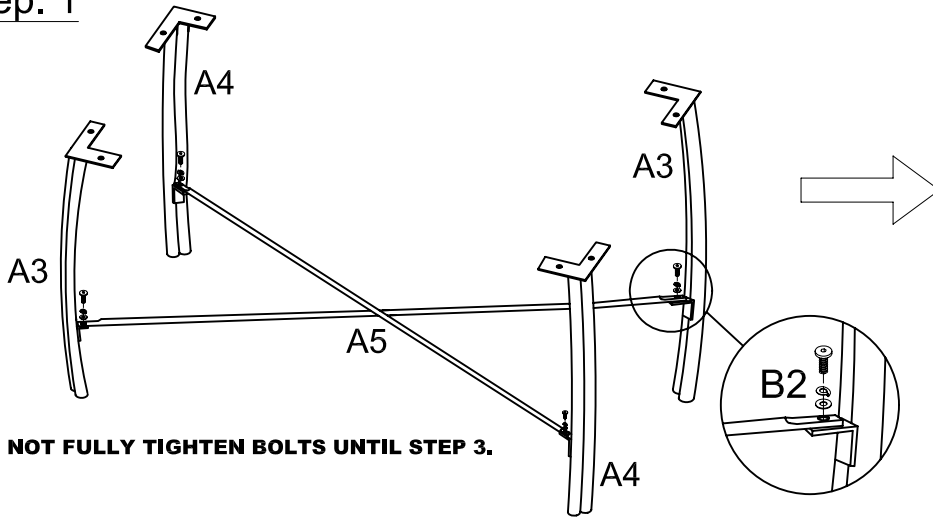
14PCS



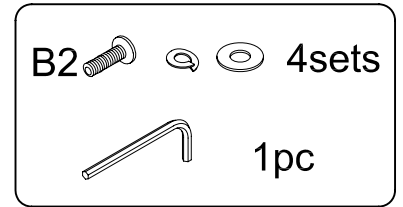
ALLEN WRENCH(4mm)

1PC

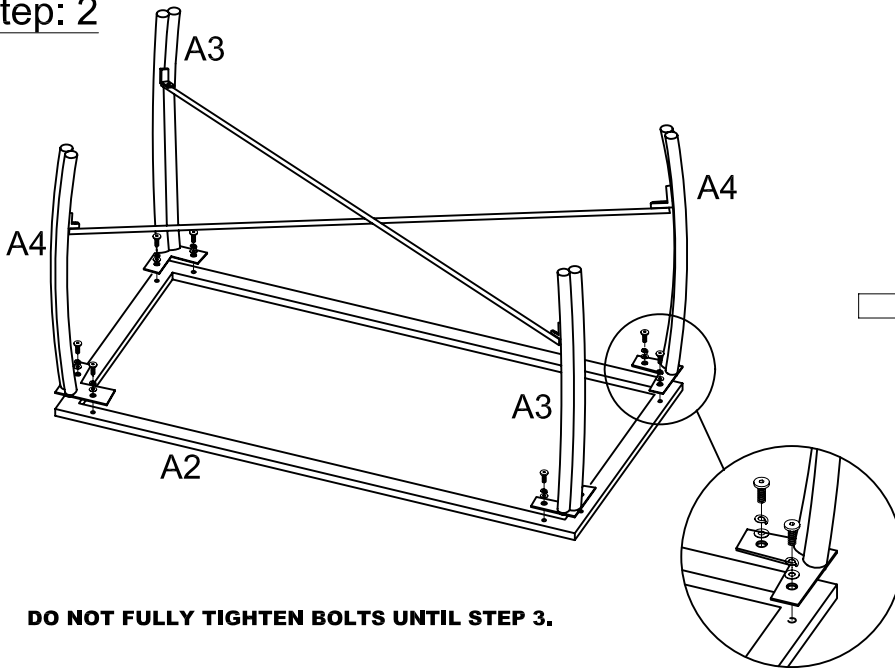
Step: 1



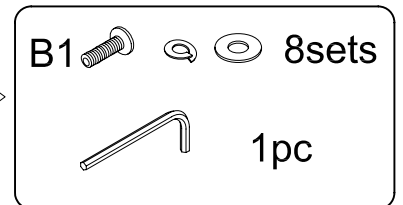
DO NOT FULLY TIGHTEN BOLTS UNTIL STEP 3.



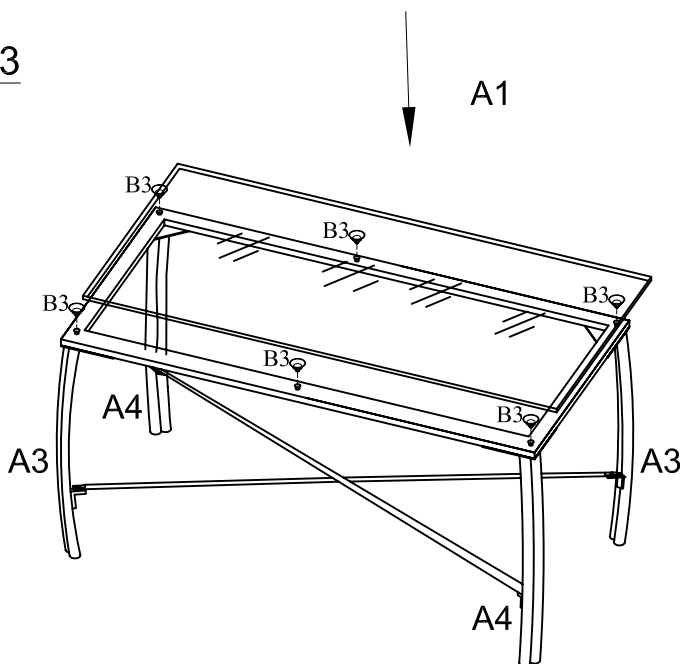
Step: 2



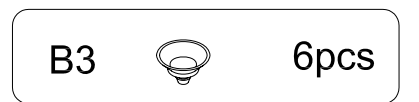
DO NOT FULLY TIGHTEN BOLTS UNTIL STEP 3.



Step: 3



TIGHTEN DOWN ALL BOLTS AT THIS TIME.

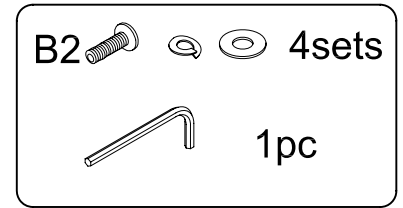
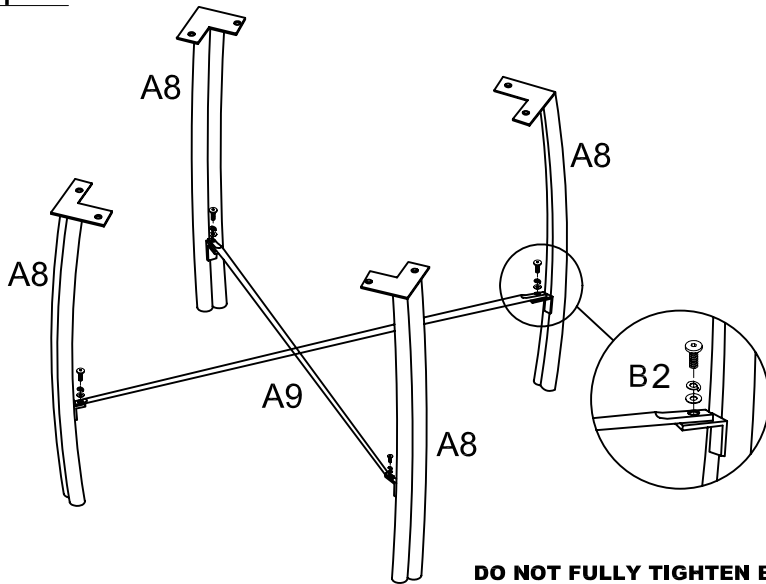


NOTE:

- 1), Please do not sit on the table.
- 2), Do not place very hot or very cold items directly on the table top.
- 3), Clean with non-abrasive cloth and no chemical cleaners used.

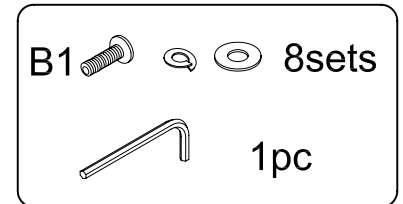
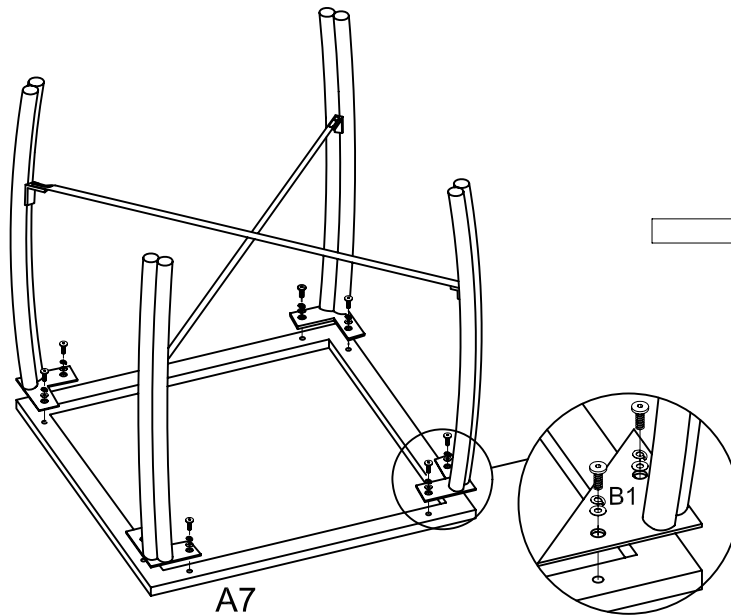
If you find the table with legs is not level, please loosen the bolts B1, B2, and place the table on a leveling surface and then tighten again.

Step: 4



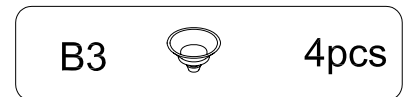
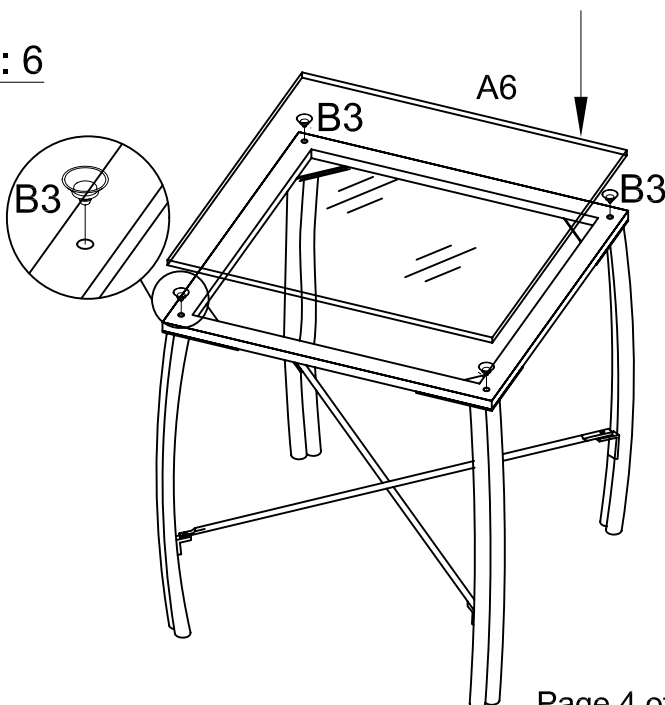
DO NOT FULLY TIGHTEN BOLTS UNTIL STEP 6.

Step: 5



DO NOT FULLY TIGHTEN BOLTS UNTIL STEP 6.

Step: 6



TIGHTEN DOWN ALL BOLTS AT THIS TIME.

NOTE:

- 1), Please do not sit on the table.
- 2), Do not place very hot or very cold items directly on the table top.
- 3), Clean with non-abrasive cloth and no chemical cleaners used.

If you find the table with legs is not level, please loosen the bolts B1, B2, and place the table on a leveling surface and then tighten again.