






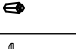

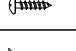
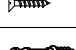


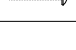
CARE AND MAINTENANCE

Spot clean using a mild water-free solvent. Only a professional cleaner should undertake a complete overall cleaning.
The use of steam or water-based cleaners may cause excessive shrinking or staining.

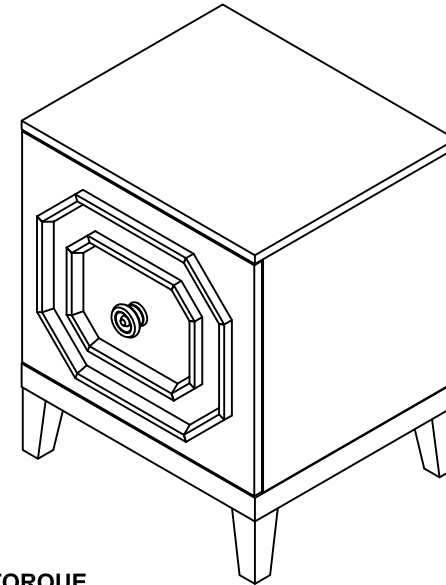
NOTICE

- * Please make sure that you have all parts indicated before you begin assembly of this item.
- * This item should be assembled on a soft surface to prevent scratching the finish during assembly.
- * This item may require periodic tightening.

Part List and Hardware List








| PIECE | DESCRIPTION | PICTURE | QUANTITY |
|-------|-----------------------|---|----------|
| A | TOP PANEL |  | 1X |
| B | SIDE PANEL |  | 2X |
| C | DOOR |  | 1X |
| D | BACK PANEL |  | 1X |
| E | BASE ASSEMBLY |  | 1X |
| F | LEG |  | 4X |
| 1 | 40 MM BOLT | M6x40mm  | 8X |
| 2 | 1/2" ROUND HEAD SCREW | M3x13mm  | 8X |
| 3 | 5/8" FLAT HEAD SCREW | M3x16mm  | 8X |
| 4 | CAMBOLT |  | 8X |
| 5 | CAMLOCK |  | 8X |
| 6 | HANDLE BOLT |  | 1X |

Product Dimensions: 18"W x 15 1/2"D x 22"H



WEIGHT CAPACITY:
TOP: 50 LBS

**WARNING: DO NOT OVER TORQUE
BOLTS/SCREWS**

| PIECE | DESCRIPTION | PICTURE | QUANTITY |
|-------|---------------|---|----------|
| 7 | HANDLE |  | 1X |
| 8 | HINGE |  | 2X |
| 9 | WEDGE |  | 8X |
| 10 | DOWEL |  | 8X |
| 11 | SPRING WASHER |  | 8X |
| 12 | FLAT WASHER |  | 8X |
| 13 | ALLEN KEY |  | 1X |

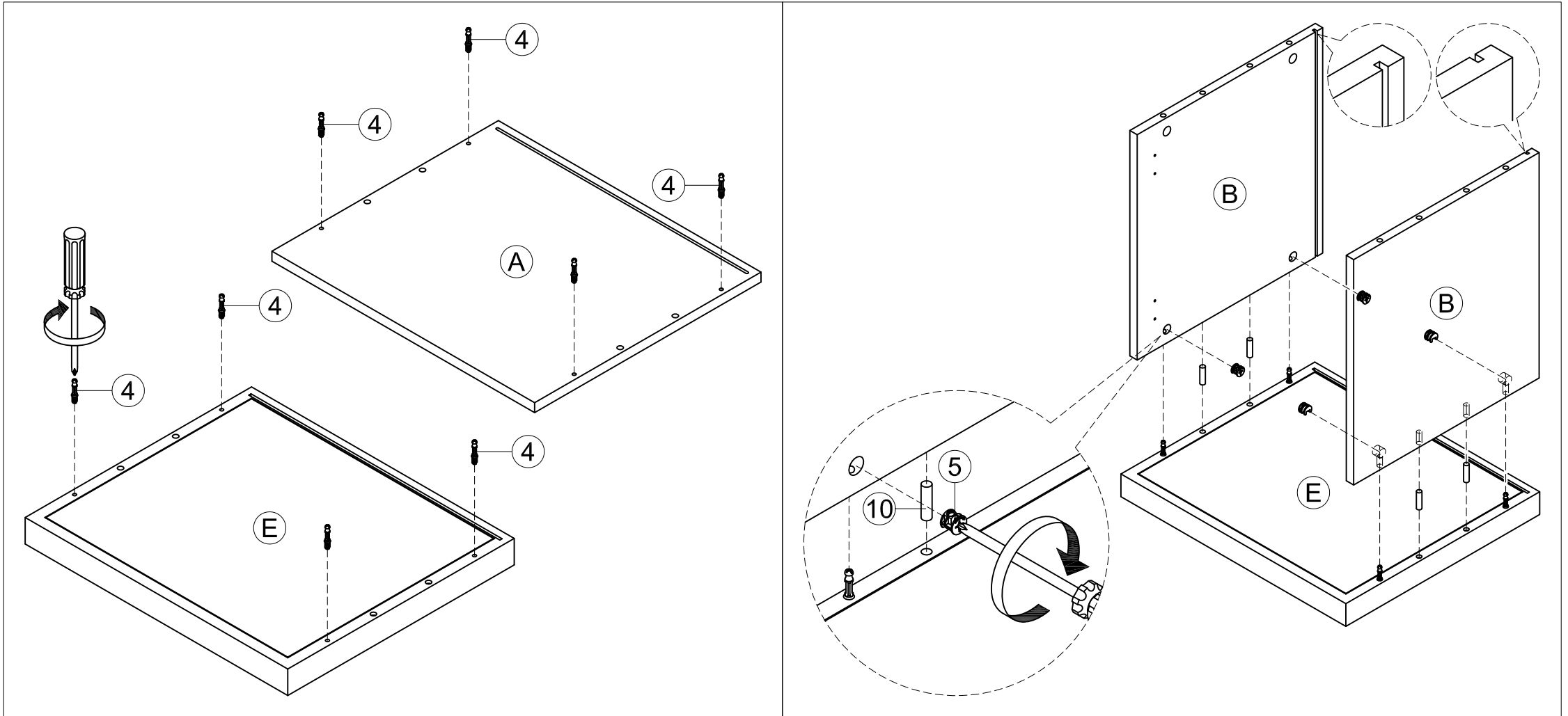
PREPARATION

Before beginning assembly of product, make sure all parts are present. Compare parts with package contents list and hardware contents list.

If any part is missing or damaged, do not attempt to assemble the product.

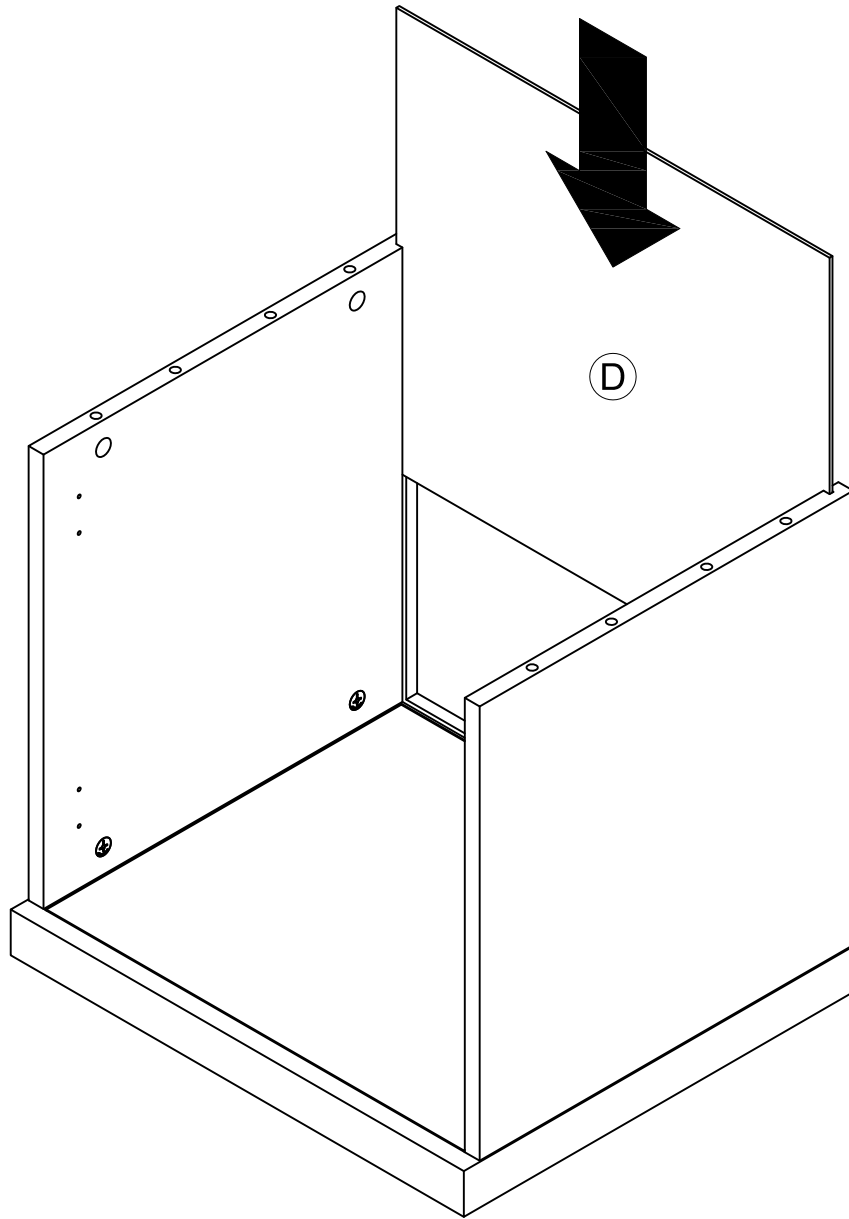
Estimated Assembly Time: 30 minutes.

Tools Required for Assembly : Phillips Screwdriver

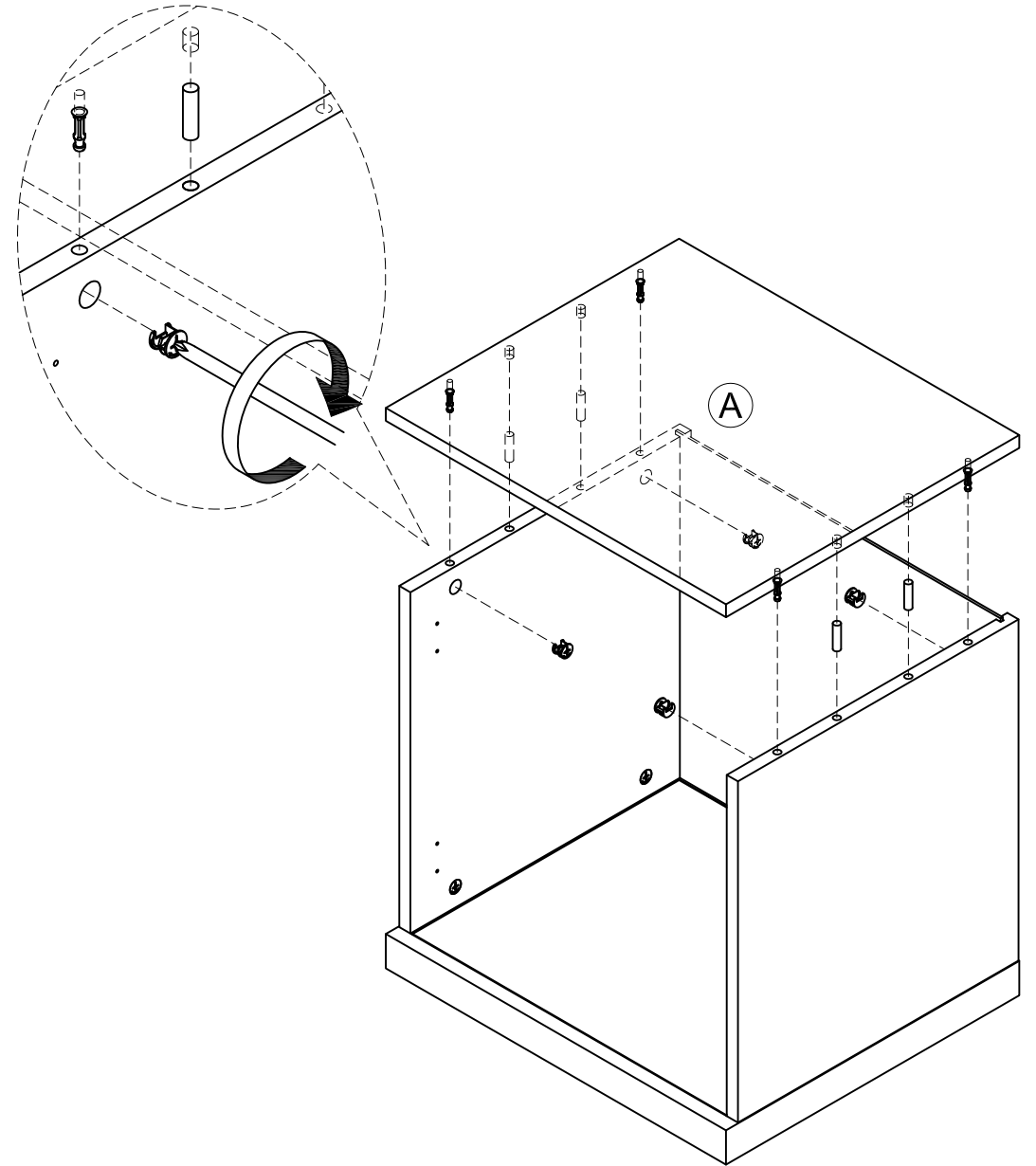


STEP 1 ATTACH CAMBOLT TO TOP PANEL AND BASE ASSEMBLY.

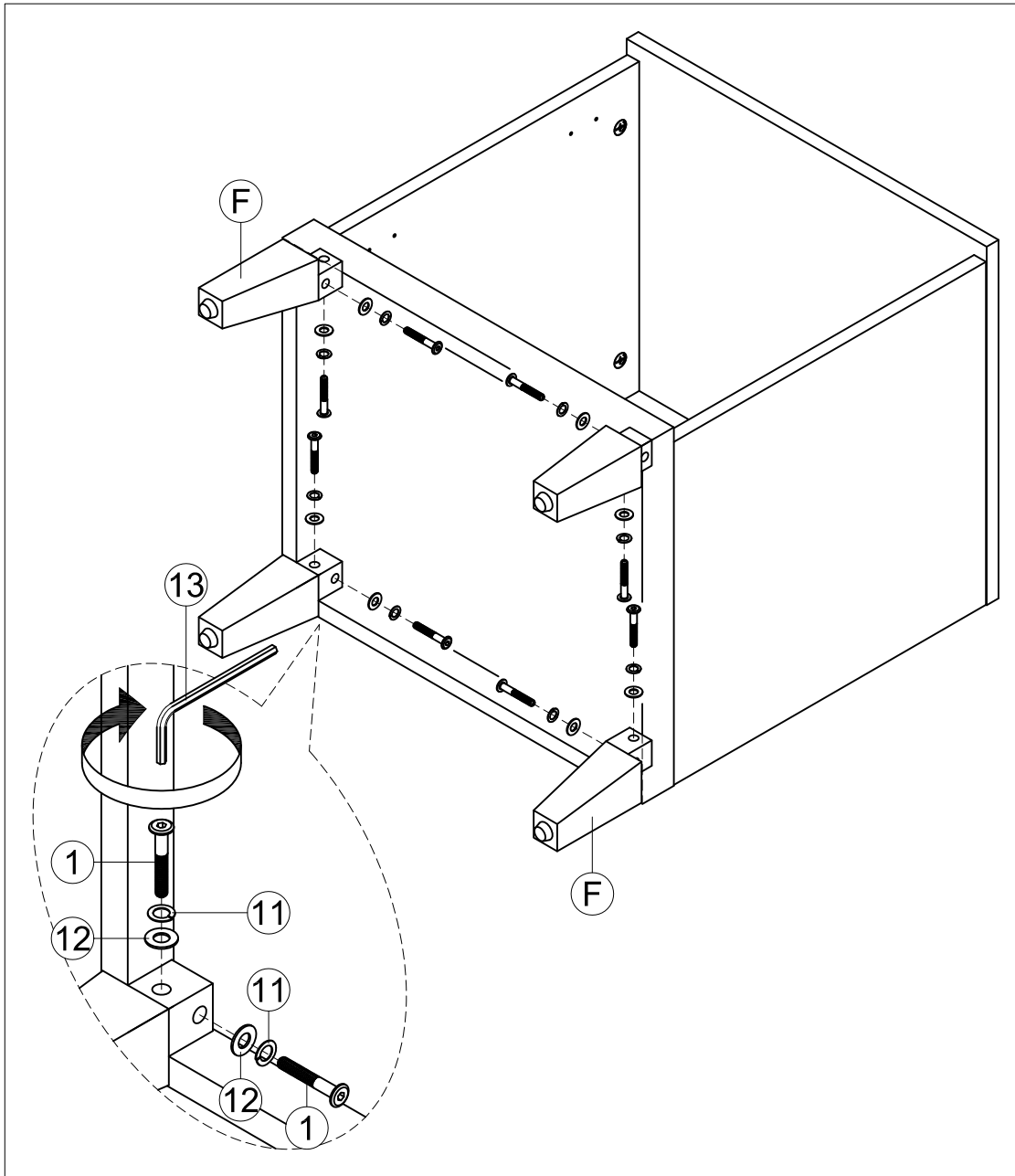
STEP 2 ATTACH SIDE PANELS TO BASE ASSEMBLY USING CAM LOCKS AND DOWELS.



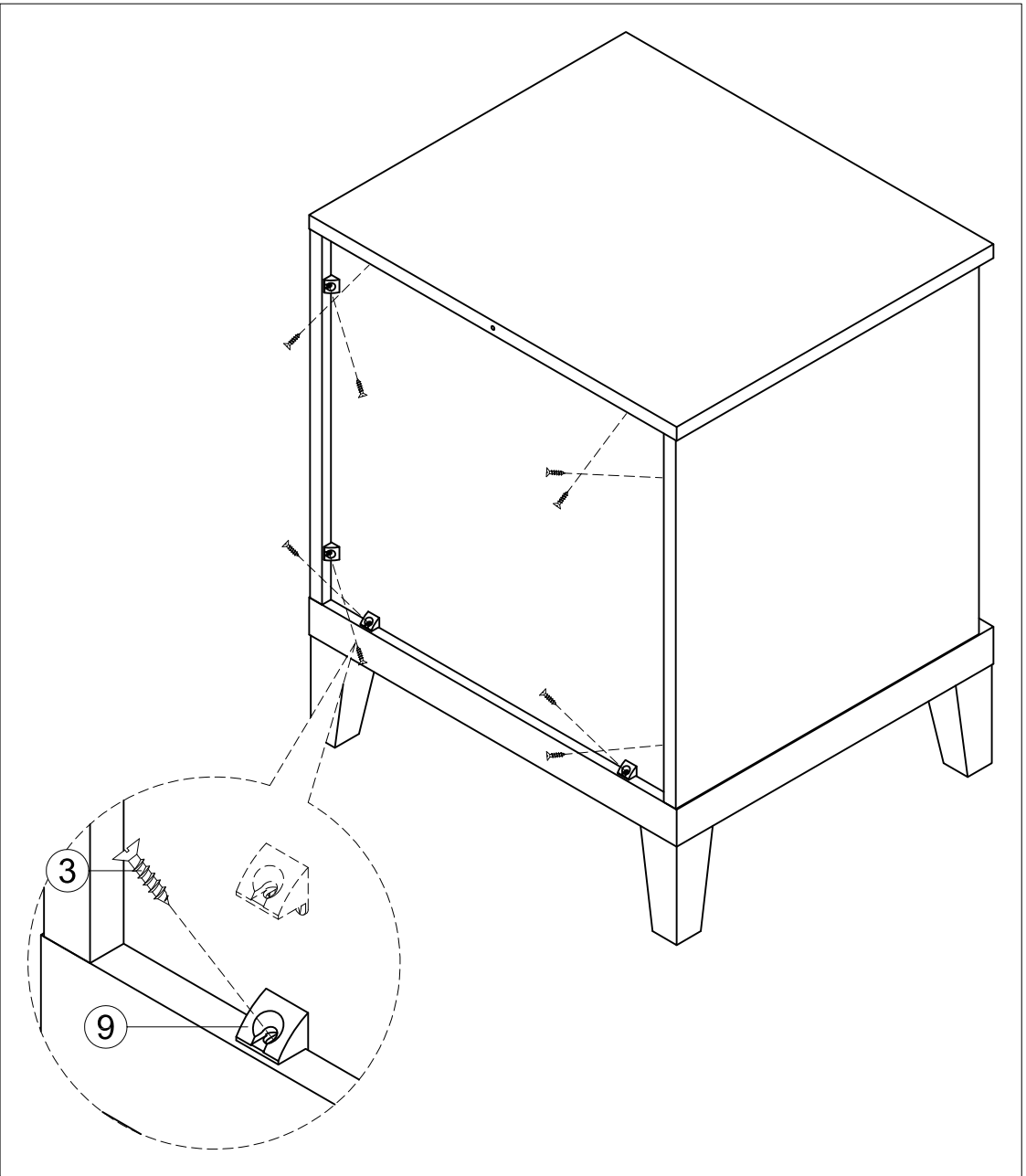
STEP 3 SLIDE BACK PANEL INTO THE GROOVE OF UNIT.



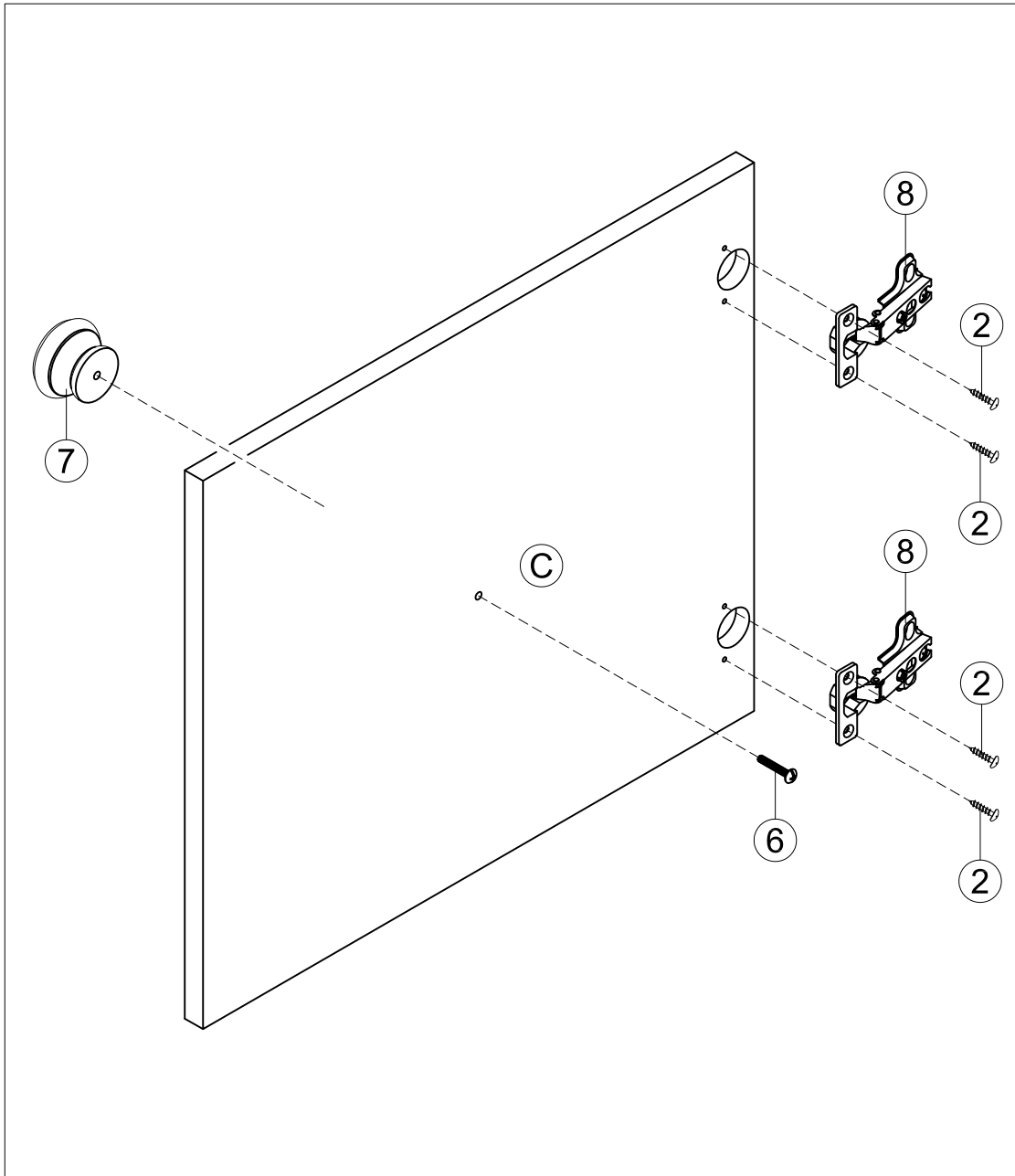
STEP 4 ATTACH TOP PANEL TO UNIT USING CAM LOCKS AND DOWELS.



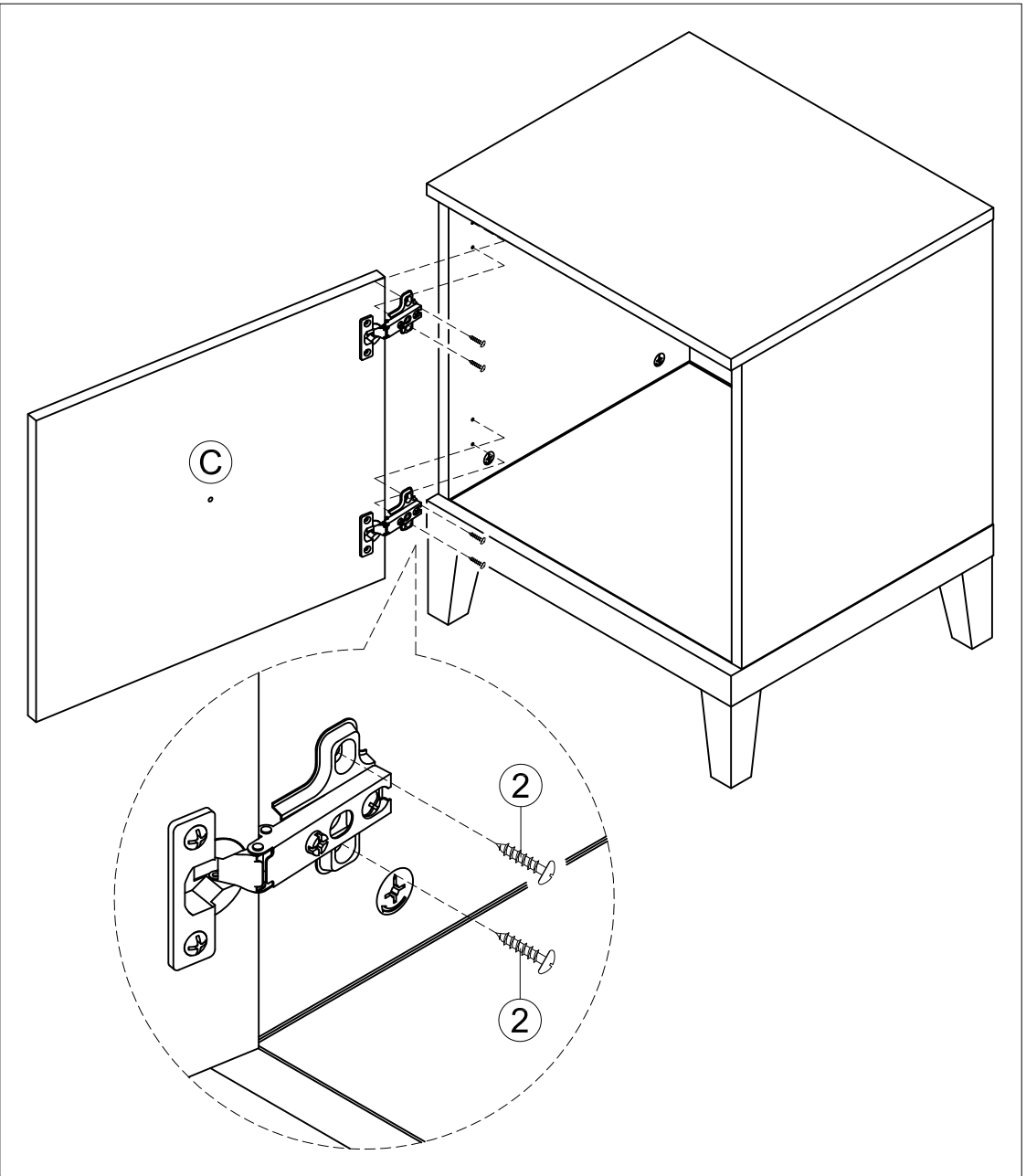
STEP 5 ATTACH LEGS TO UNIT USING BOLTS, SPRING AND FLAT WASHERS. TIGHTEN BOLTS USING ALLEN KEY.



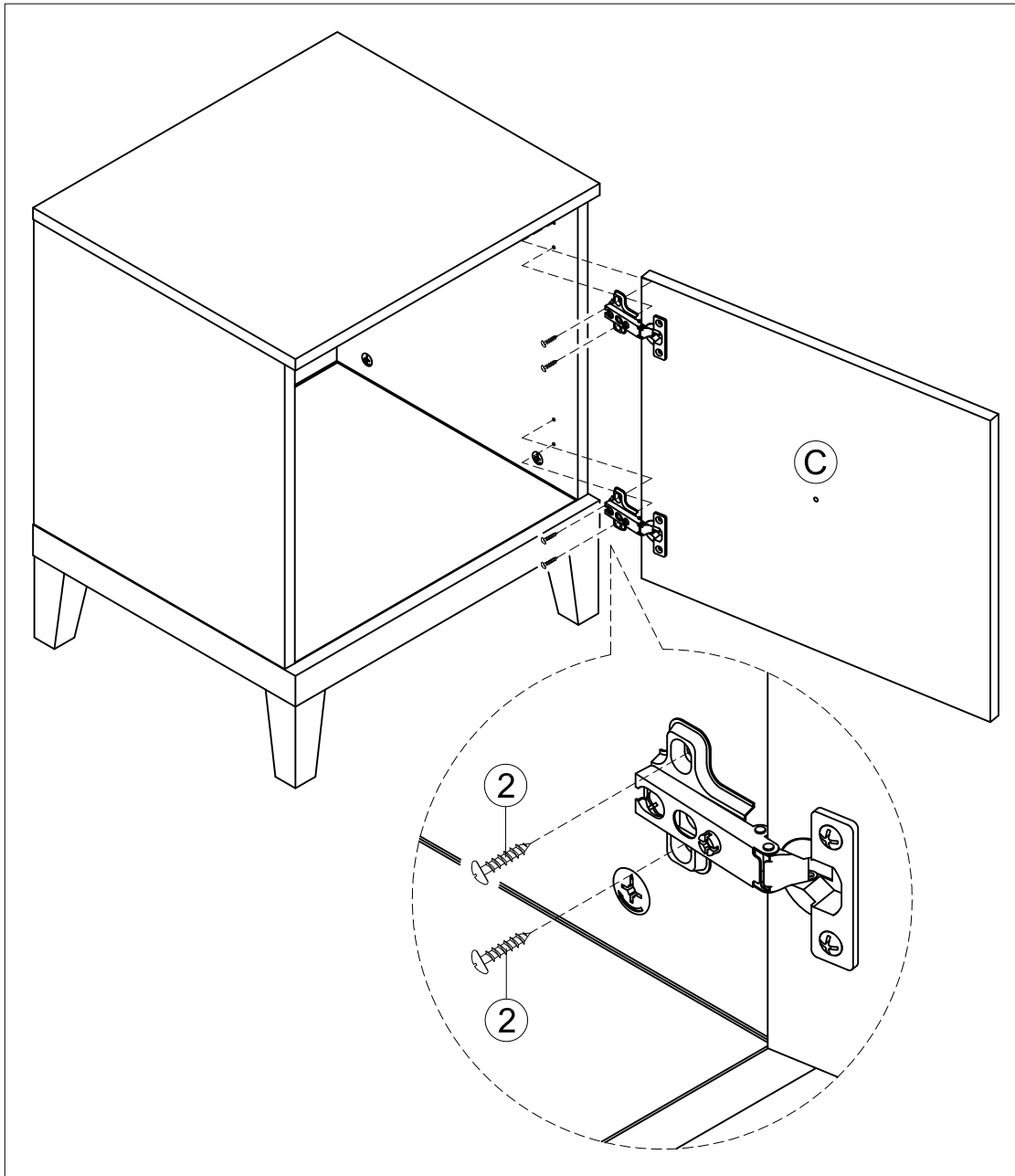
STEP 6 ATTACH WEDGE TO LOCK BACK PANEL USING 5/8" FLAT HEAD SCREW.



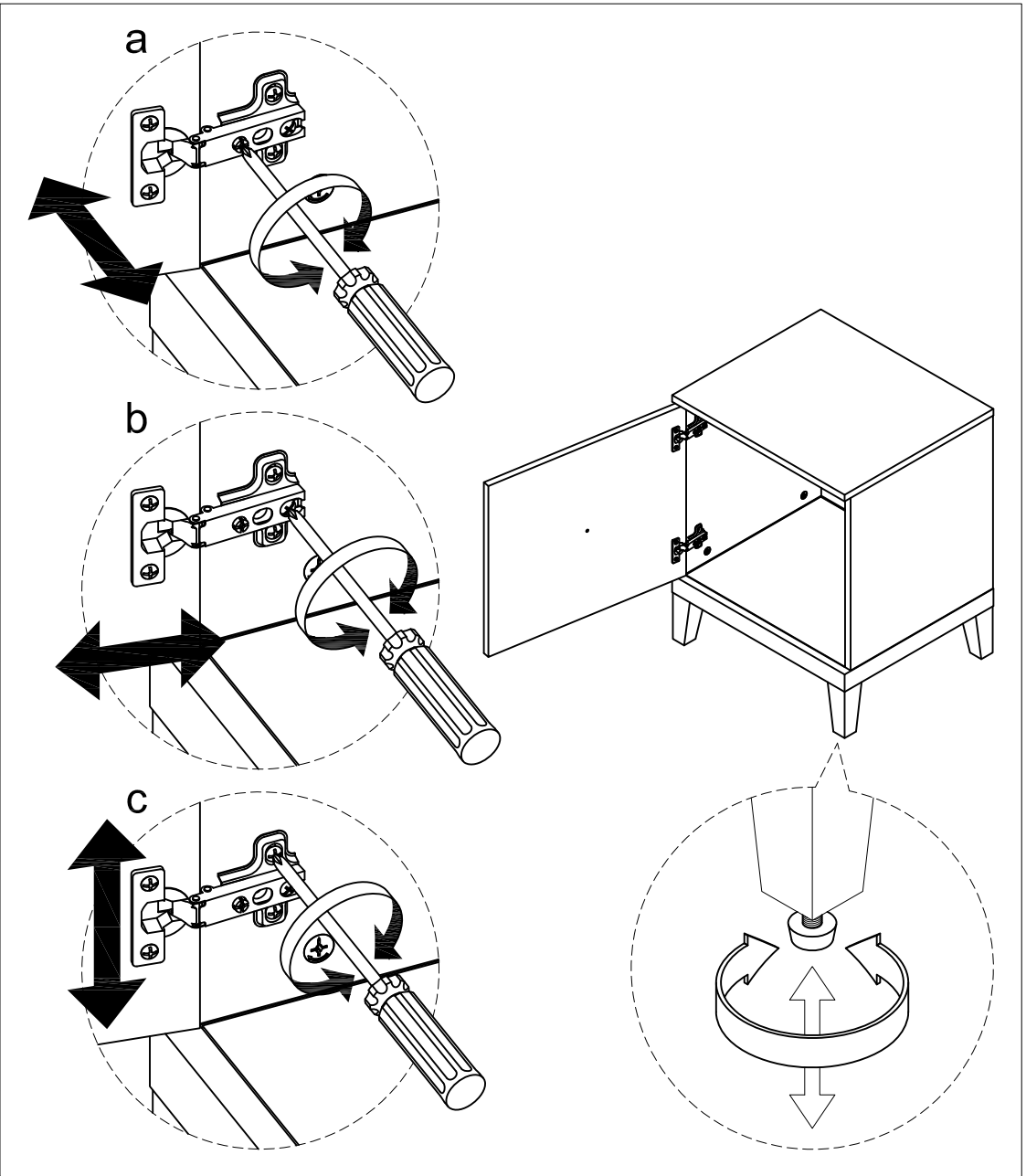
STEP 7 ATTACH HINGES TO DOOR USING 1/2" ROUND HEAD SCREWS. ATTACH HANDLE TO DOORS USING HANDLE BOLT.



STEP 8 IF YOU NEED THE UNIT WITH LEFT DOOR, ATTACH THE DOOR TO THE LEFT OF UNIT USING 1/2" ROUND HEAD SCREWS.



STEP 9 IF YOU NEED THE UNIT WITH RIGHT DOOR, ATTACH THE DOOR TO THE RIGHT OF UNIT USING 1/2" ROUND HEAD SCREWS.



STEP 10 (a) ADJUST THE DOOR PANEL LEFT OR RIGHT. (b) ADJUST THE DOOR PANEL FORWARD OR BACKWARD. (c) ADJUST THE DOOR PANEL UP OR DOWN. ADJUST THE ADJUSTER BOLT THAT HAS ALREADY ASSEMBLED TO THE LEGS TO STABILIZE YOUR UNIT.