

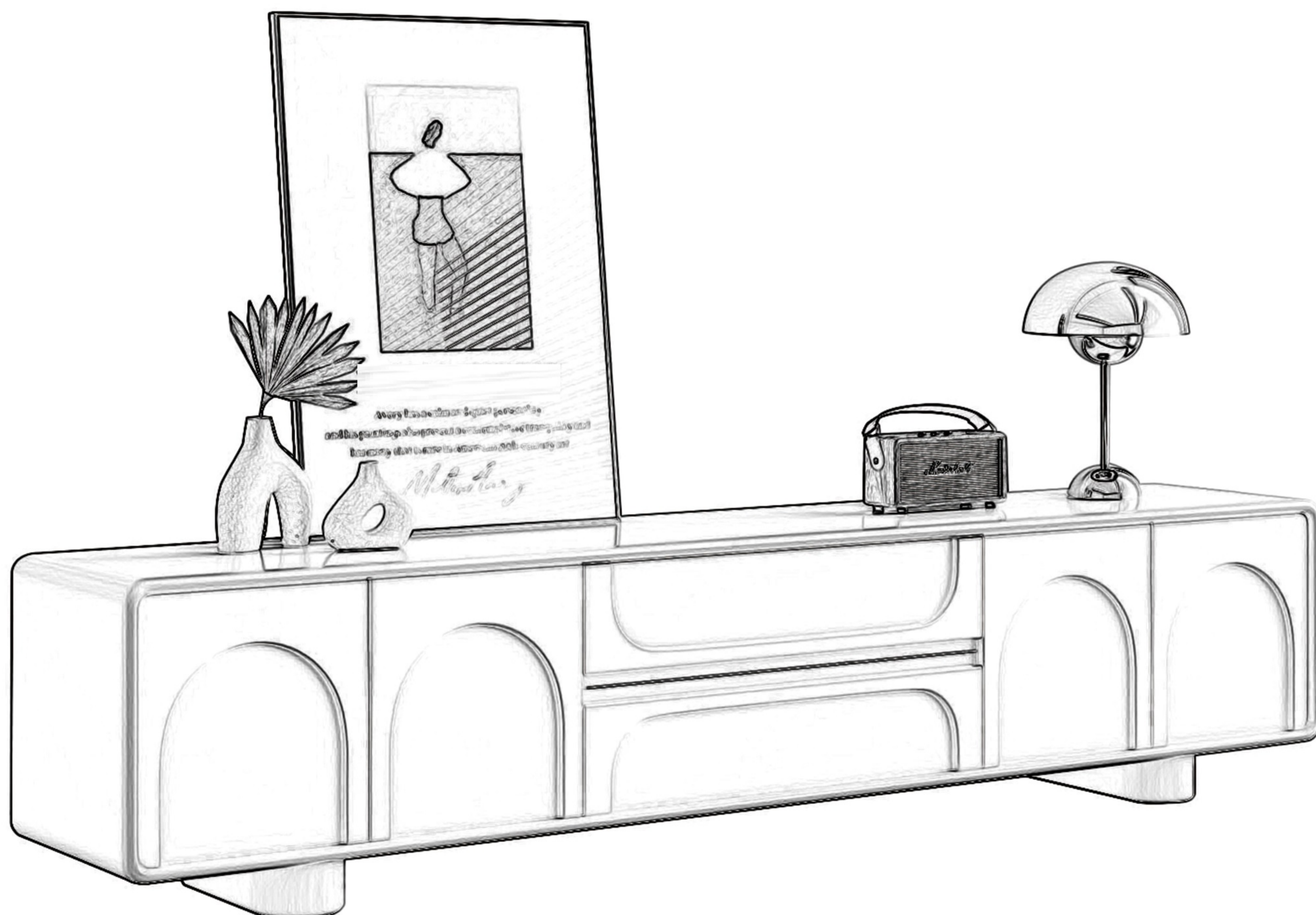
PRODUCT CARE

HANDBOOK

a guide to protect your product



Made of 100%
recyclable materials



GuideTo Assembly

Thank you for purchasing this product. Please read these instructions fully before starting assembly, then follow the simple step by step guide.

TOP TIPS BEFORE YOU START!

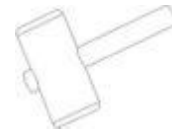
1. Please check that all parts & hardware are present before you start the assembly of your furniture. Do not destroy any of the packaging until you are certain that you have all the necessary parts for assembly.
2. For ease and speed of assembly, we recommend that before you commence each step of the assembly, please identify all the parts required for that step.
3. We recommend that where possible, all items are assembled near to the area in which they will be placed in use, to avoid moving the product unnecessarily once assembled.
4. For the protection of your furniture, particularly items of high gloss finish, we recommend that the product is placed on a protected surface during assembly to prevent any damage.
5. During assembly please take care not to over-tighten any fittings, as this may damage the product.
6. Keep children and animals away from the work area, small parts could cause choking if swallowed.

Tools Required For Assembly

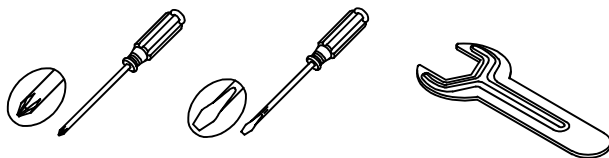


DO NOT USE POWER TOOLS TO ASSEMBLE THIS PRODUCT. USE OF POWER TOOLS WILL INVALIDATE ANY CLAIM AND MAY DAMAGE THIS PRODUCT MAKING IT UNSAFE.

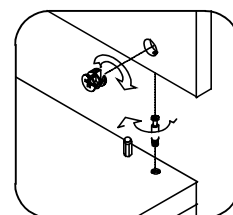
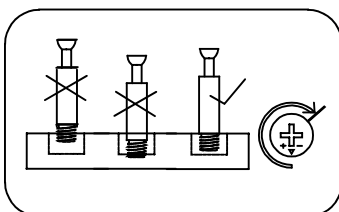
Rubber Hammer

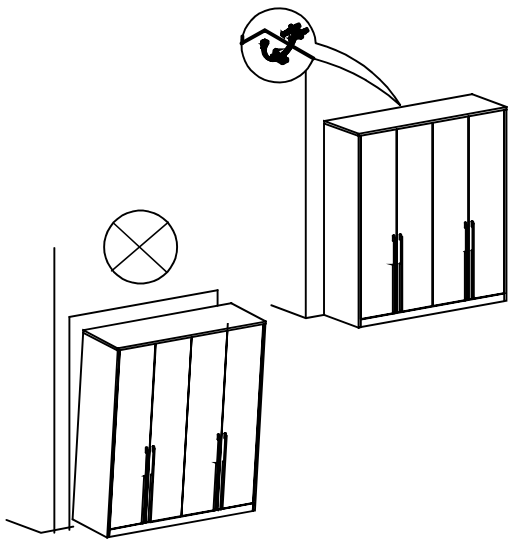


Self-provided general tool diagram:

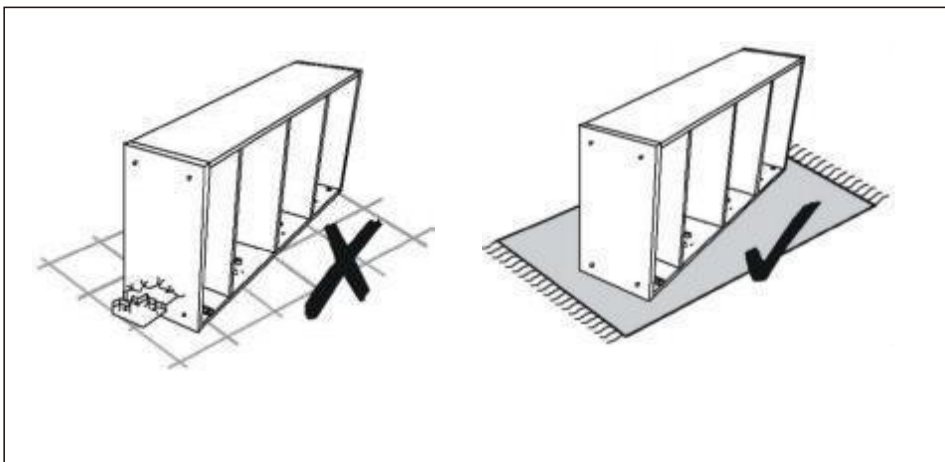
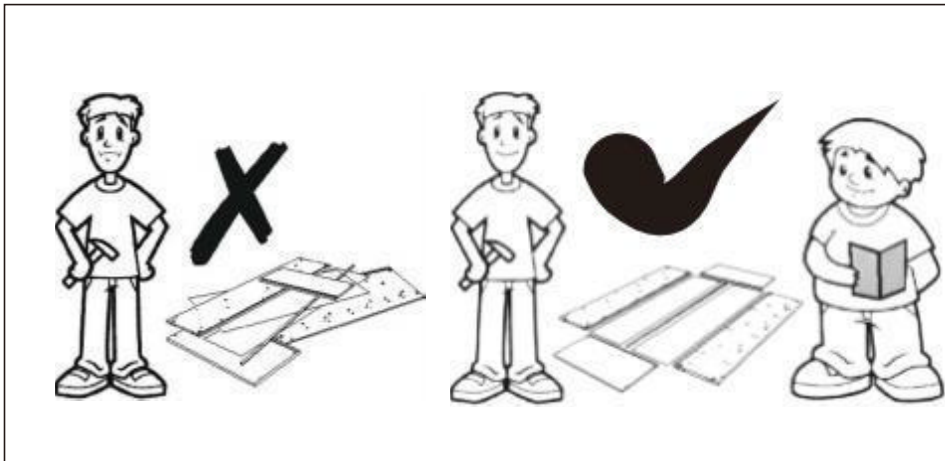


Tape Measure


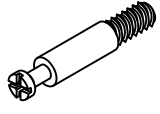

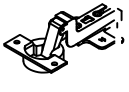

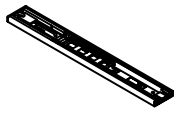
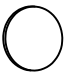
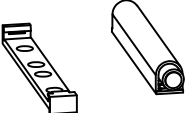

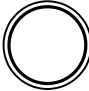
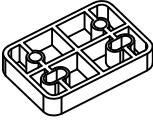





matters needing attention

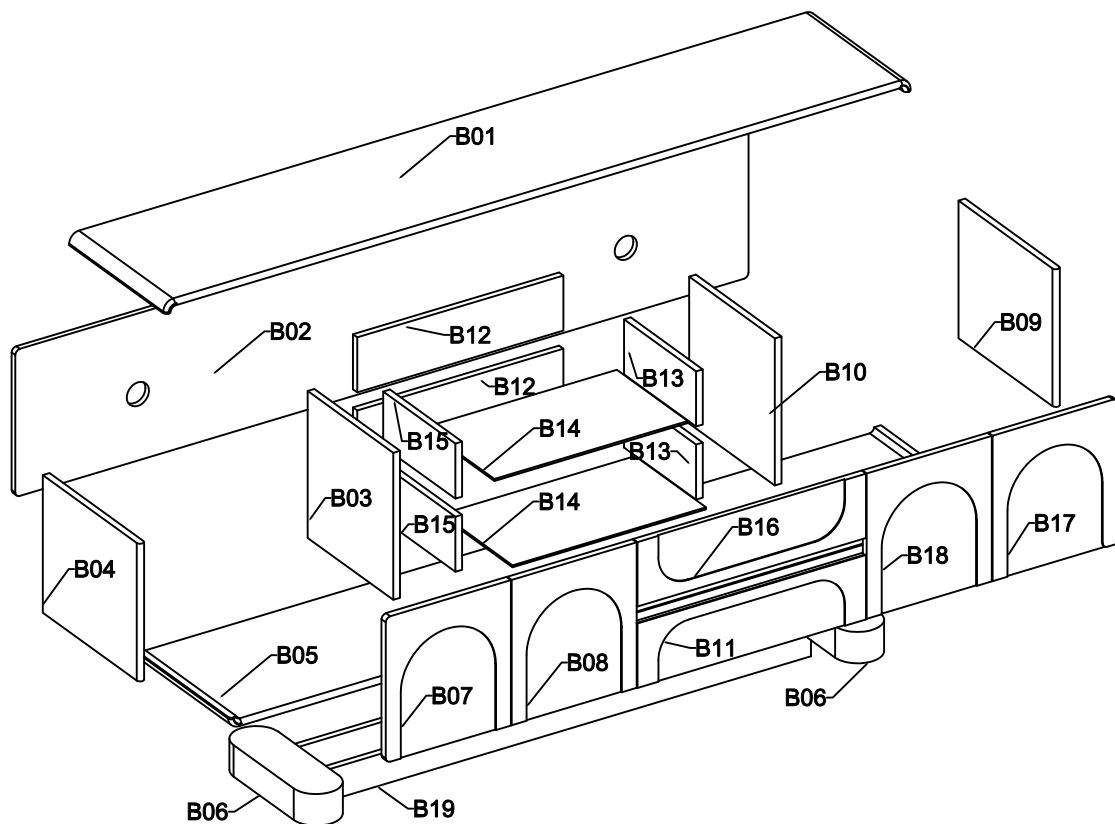


Installation Hardware List

<p>H1201</p>  <p>51PCS</p>	<p>H1101</p>  <p>51PCS</p>	<p>H1403</p>  <p>M3.5*16 64PCS</p>	<p>H2202</p>  <p>8PCS</p>
<p>H1511</p>  <p>M8*18 4PCS</p>	<p>H2114</p>  <p>12in*45 2PCS</p>	<p>H4108</p>  <p>28PCS</p>	<p>H2411</p>  <p>4PCS</p>
<p>H1223</p>  <p>M8 * 65 4PCS</p>	<p>H4208</p>  <p>2PCS</p>	<p>HK0096</p>  <p>4PCS</p>	<p>H1426</p>  <p>M3.5*25 16PCS</p>

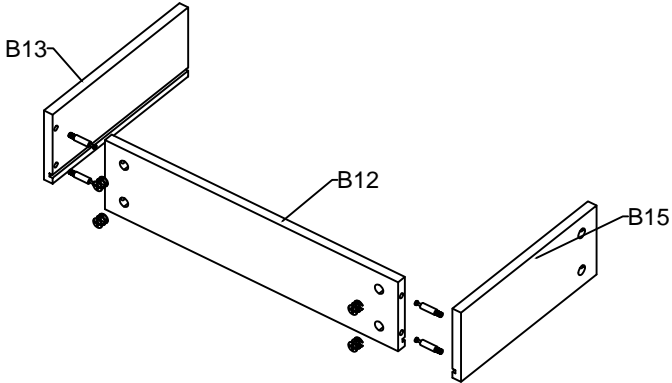
Panel List

B01*1 roof
B02*1 Back panel
B03*1 Left neutral panel
B04*1 Left side panel
B05*1 Bottom panel
B06*2 leg
B07*1 Left door panel
B08*1 Left middle door panel
B09*1 Right side panel
B10*1 Right neutral board
B11*1 Lower drawer panel
B12*2 Drawer backboard
B13*2 Drawer right panel
B14*2 Bottoming out
B15*2 Drawer left panel
B16*1 Upper drawer panel
B17*1 Right door panel
B18*1 Right middle door panel
B19*2 Support bar

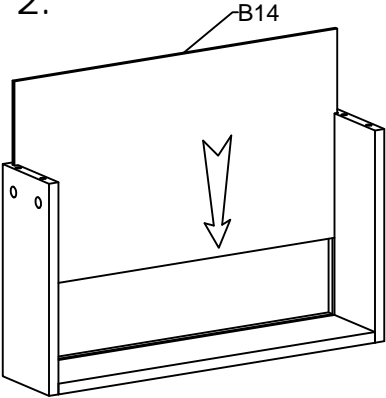


Installation steps

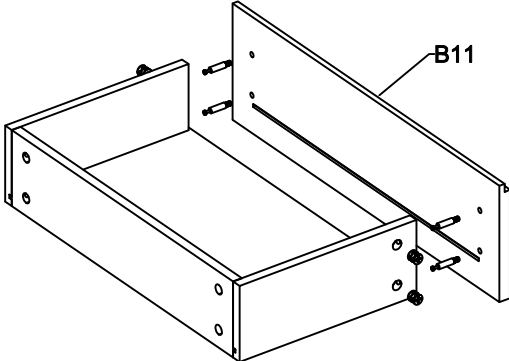
1:



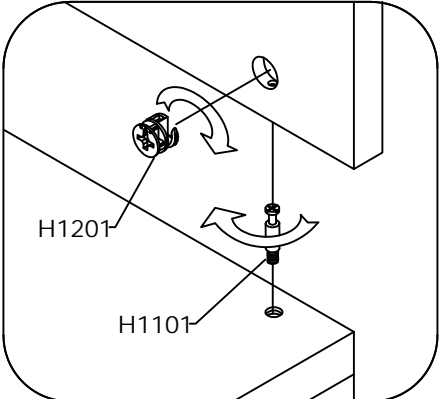
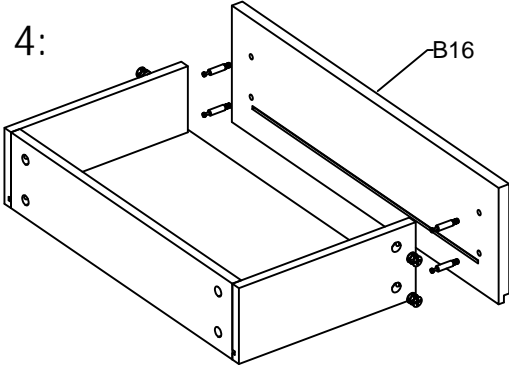
2:



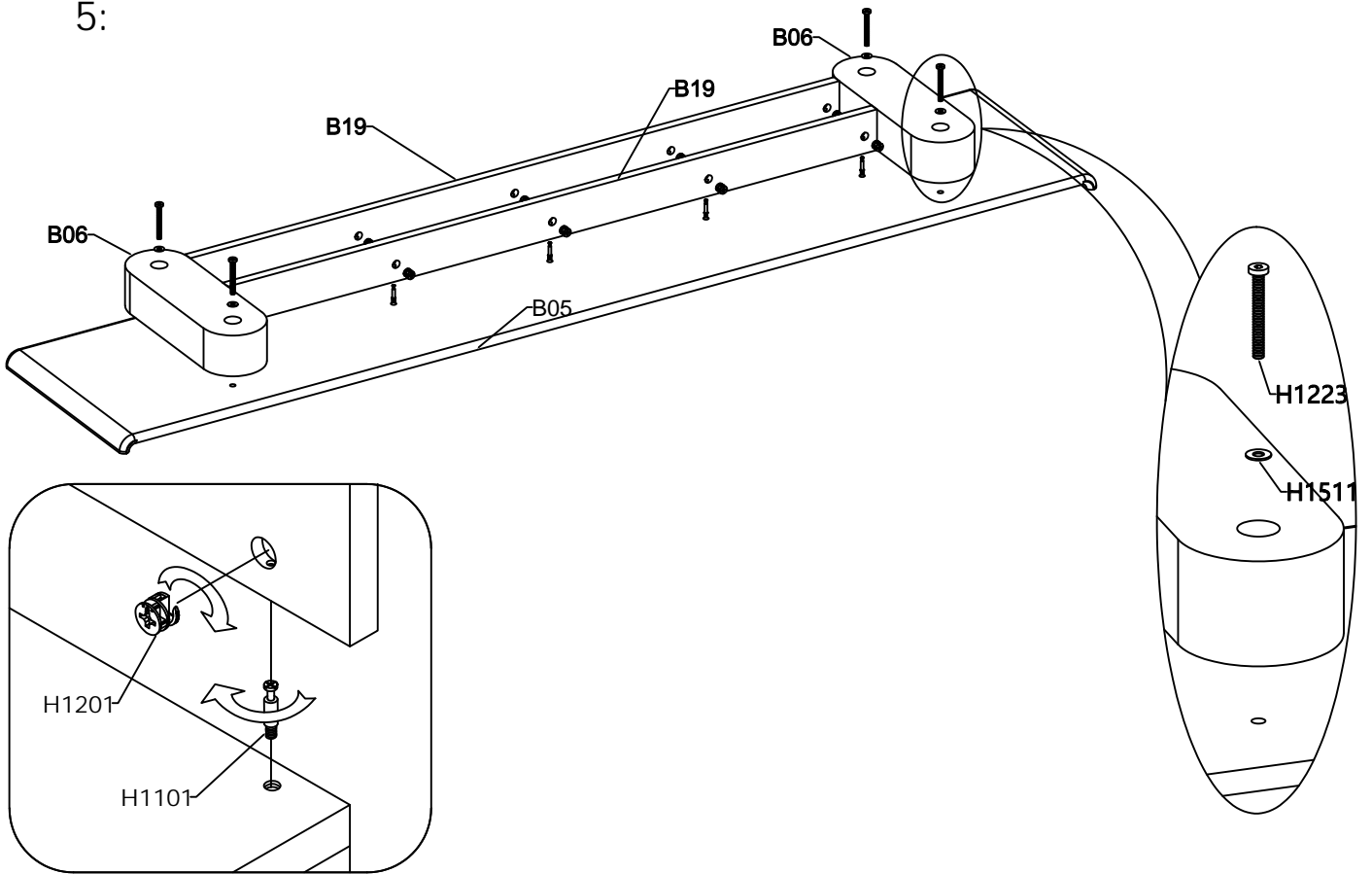
3:



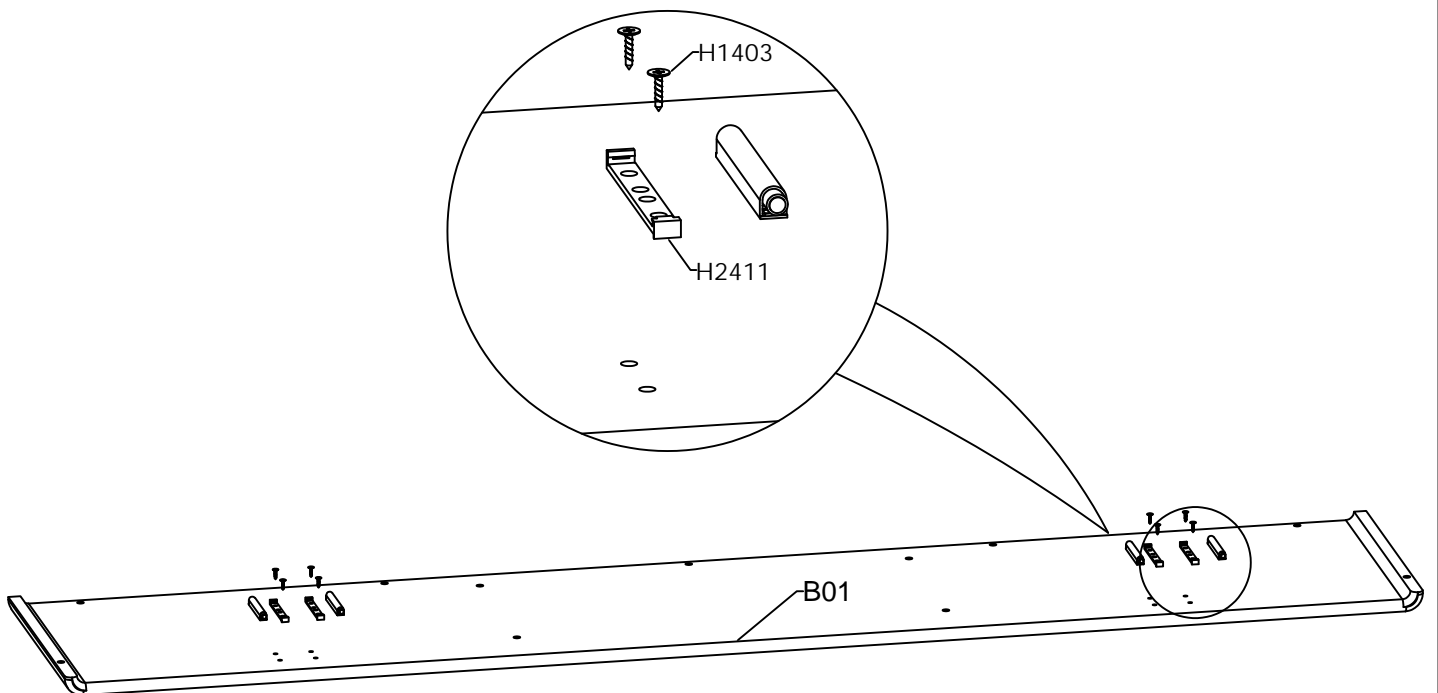
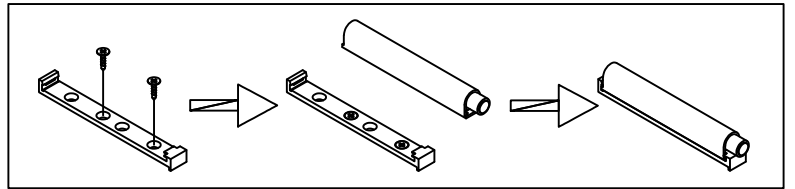
4:



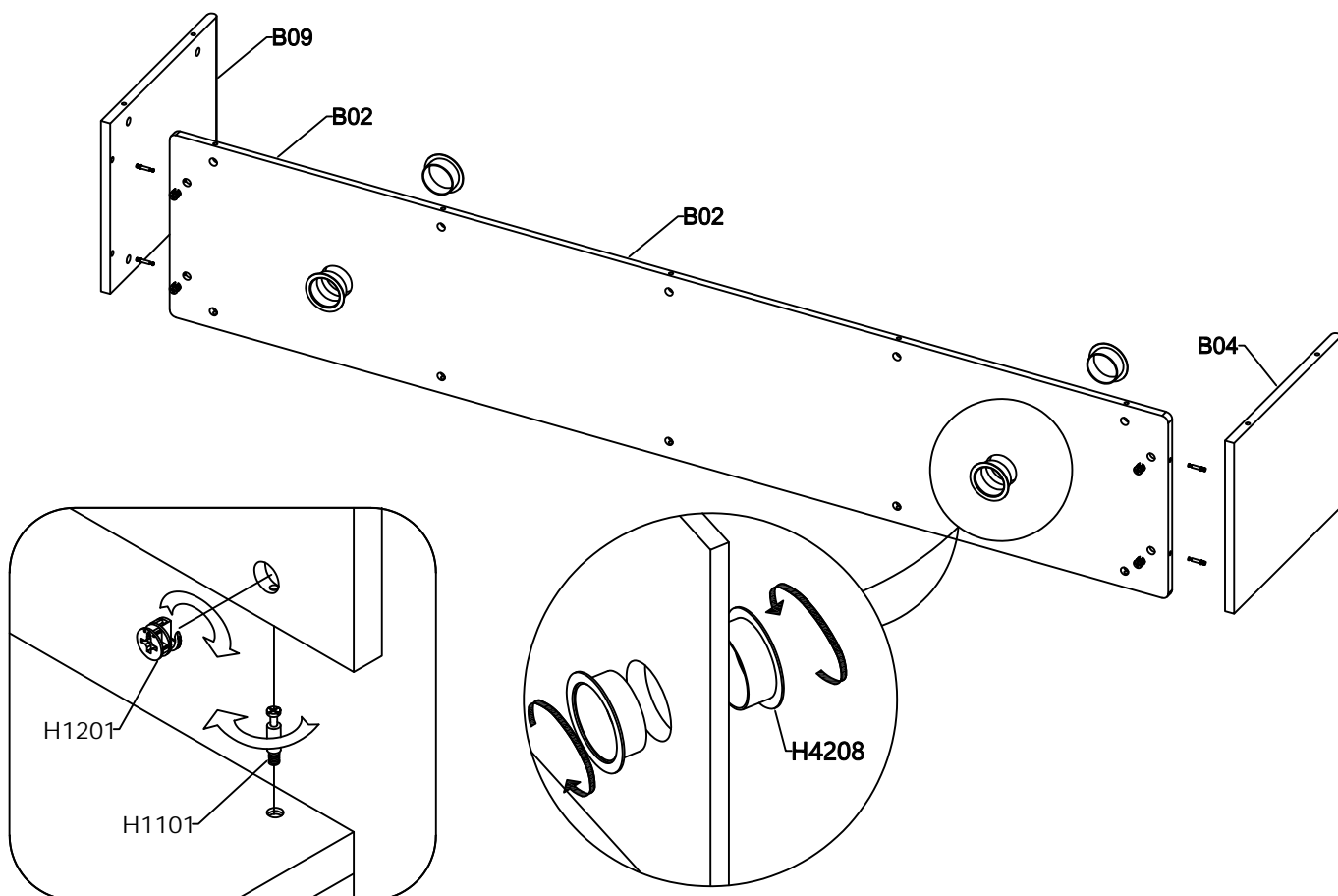
5:



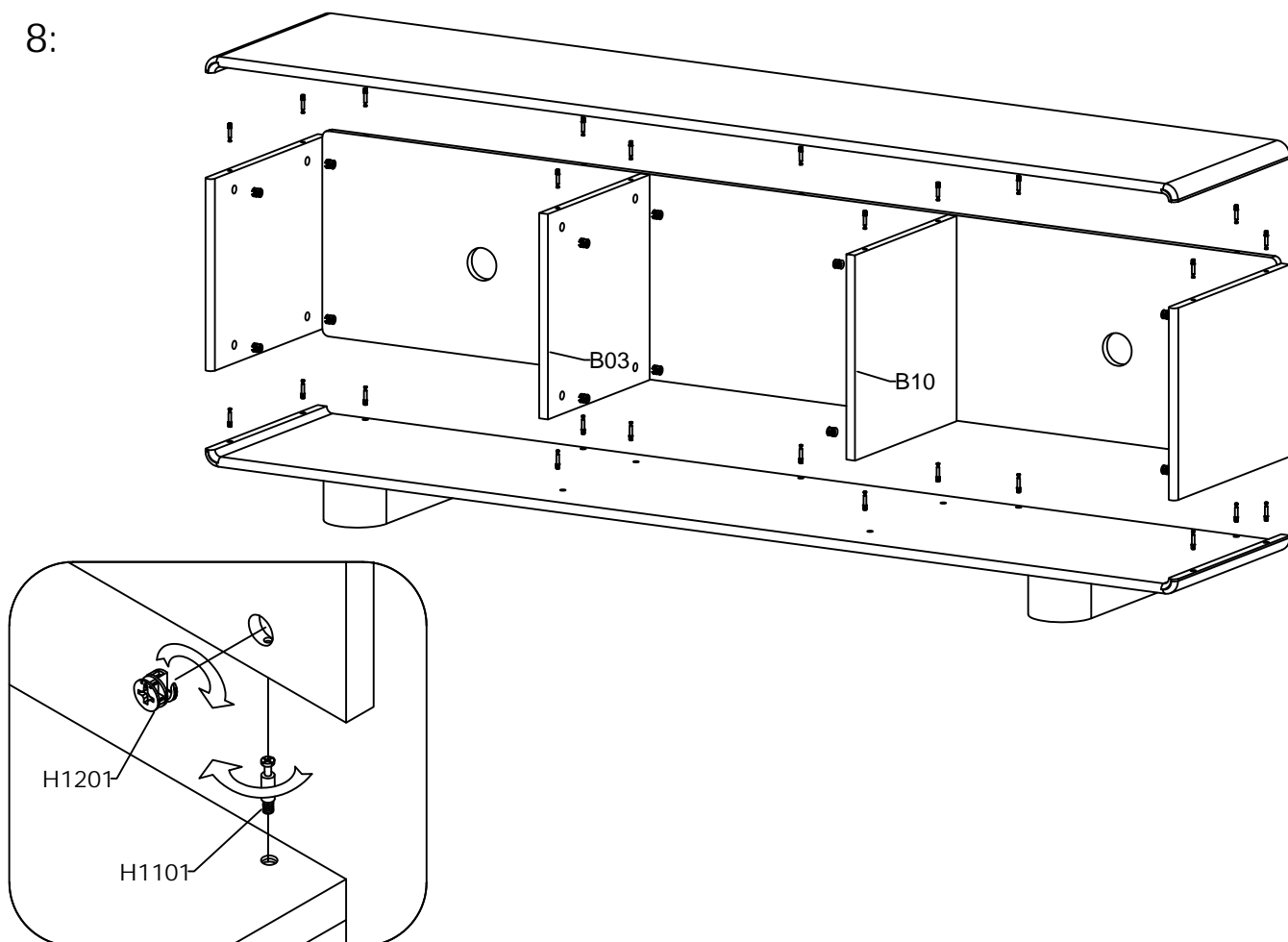
6:



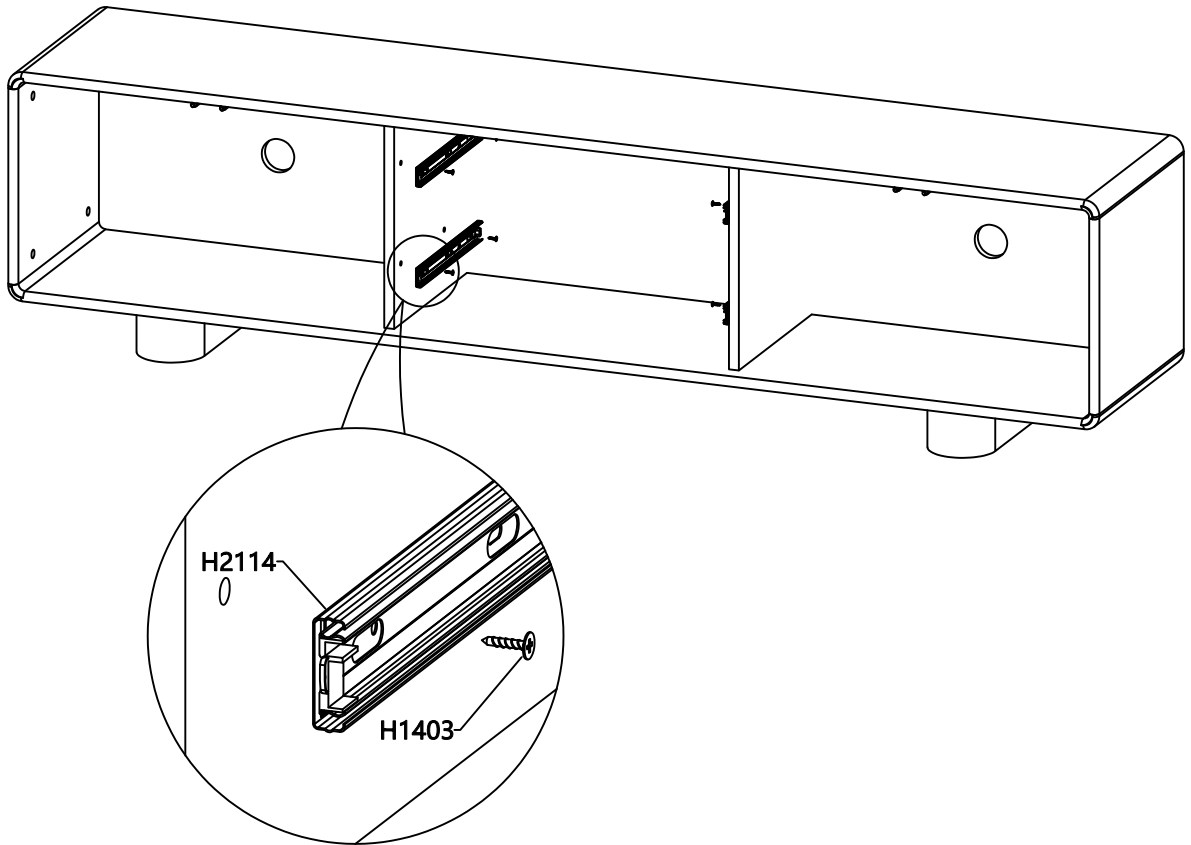
7:



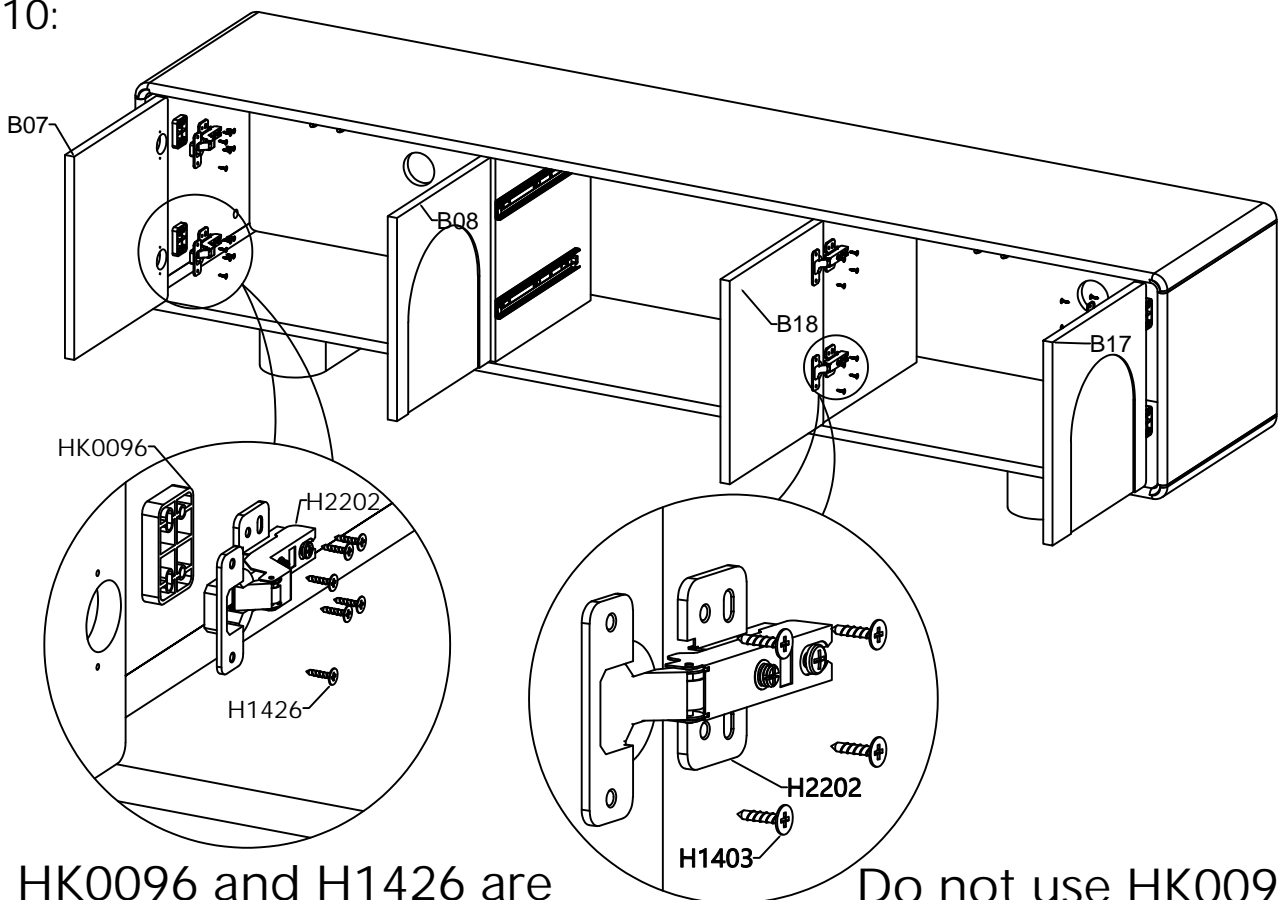
8:



9:



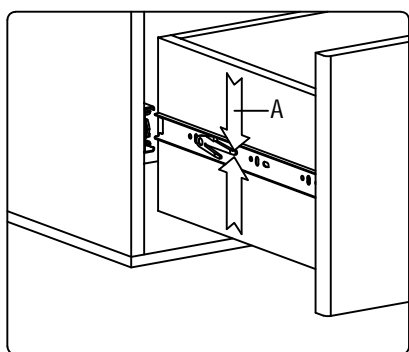
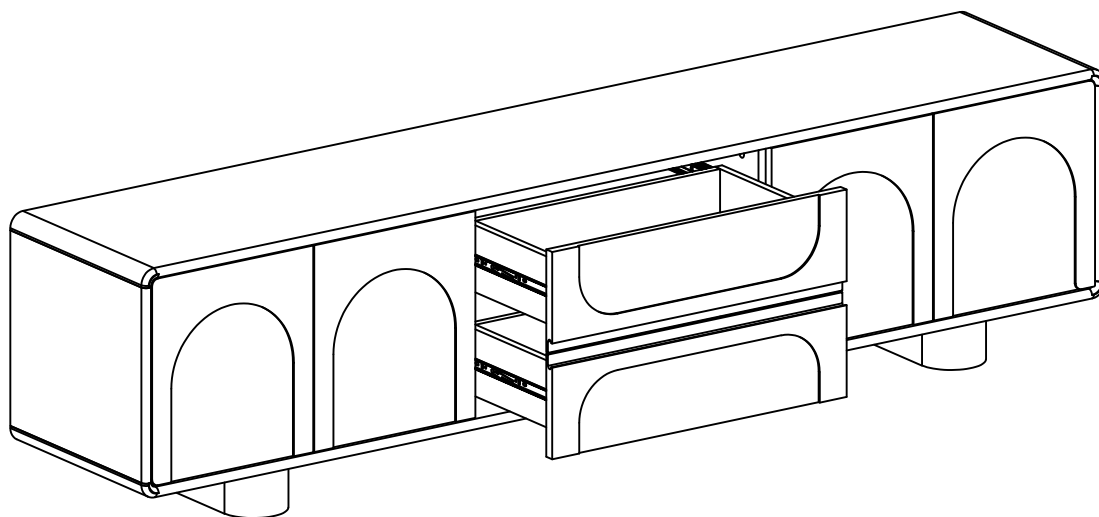
10:



HK0096 and H1426 are required to install B07 and B17 door panels.

Do not use HK0096 and H1426 to install B08 and B18 door panels.

11:



Install the drawer: Align it with the card slot and push it in
A - This function is a slide rail separation buckle,
The slide rails and drawers can be removed from the top
left and bottom right.

