

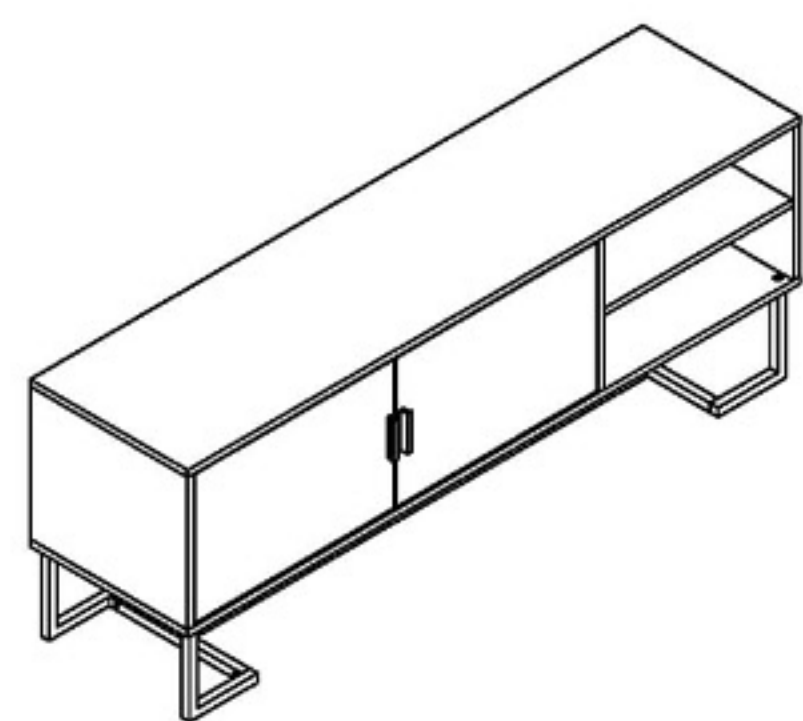
ASSEMBLY INSTRUCTION

PLEASE READ BEFORE ASSEMBLING!

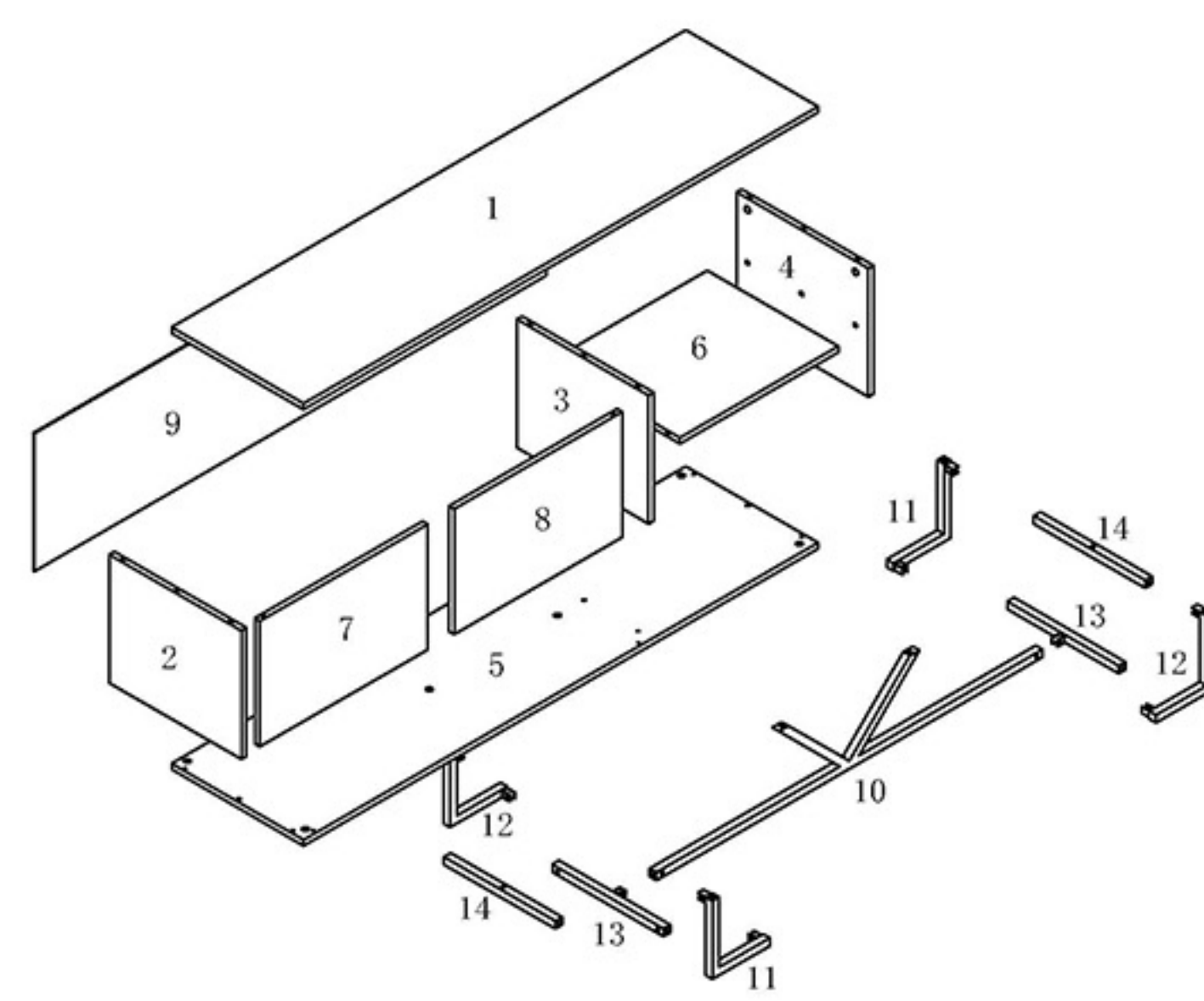
Tip #1: Make sure you've taken all the pieces and hardware out of its packaging before discarding the box.

Tip #2: Using page 2 and/or page 3 of instruction manual make sure all pieces and hardware are accounted for.

Tip #3: Read manual before assembling, it helps!



PARTS IDENTIFICATION

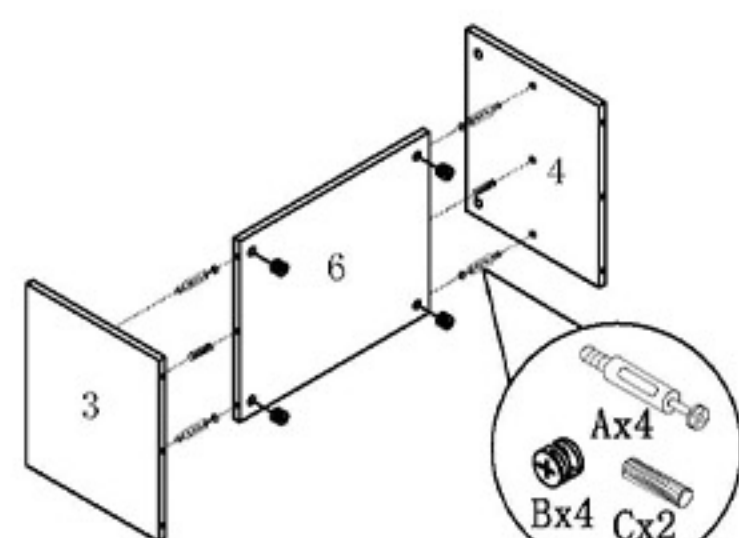


(1) 1pc	(7) 1pc	(13) 2pcs
(2) 1pc	(8) 1pc	(14) 2pcs
(3) 1pc	(9) 1pc	
(4) 1pc	(10) 1pc	
(5) 1pc	(11) 2pcs	
(6) 1pc	(12) 2pcs	

HARDWARE IDENTIFICATION

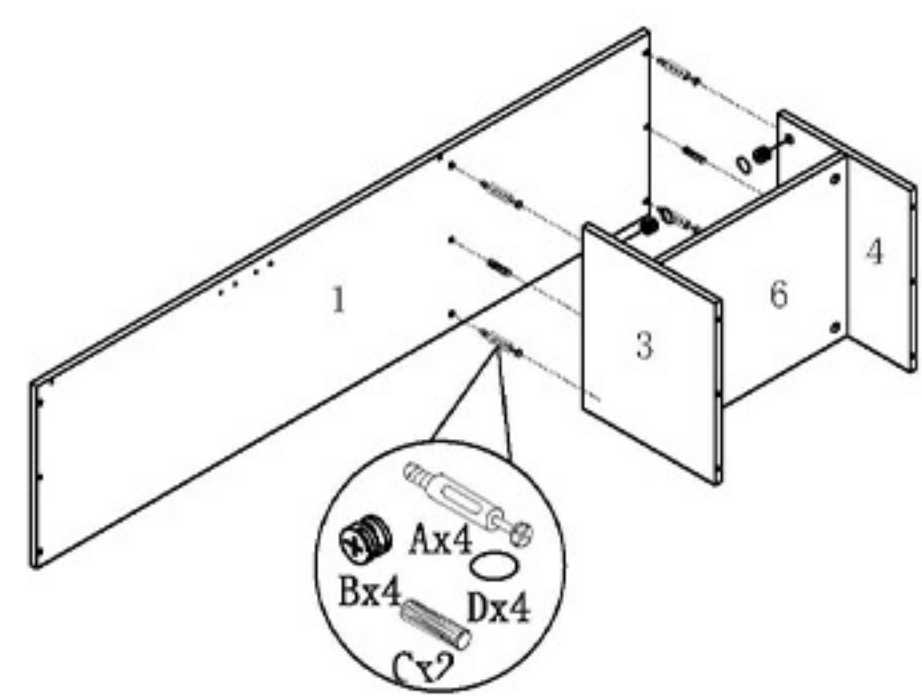
A		L29	10pcs
B		Ø15	10pcs
C		Ø8x25	8pcs
D		Ø22	12pcs
E		Ø4x40	6pcs
F		M6x25	6pcs
G		M6x12	10pcs
H		Ø4#	2pcs
I			40pcs
J		Ø4x20	4pcs
K			2pcs
L			2pcs
M		Ø3x16	4pcs
N			2pcs
O		Ø3x14	4pcs
P		M6x30	2pcs

ASSEMBLY INSTRUCTION

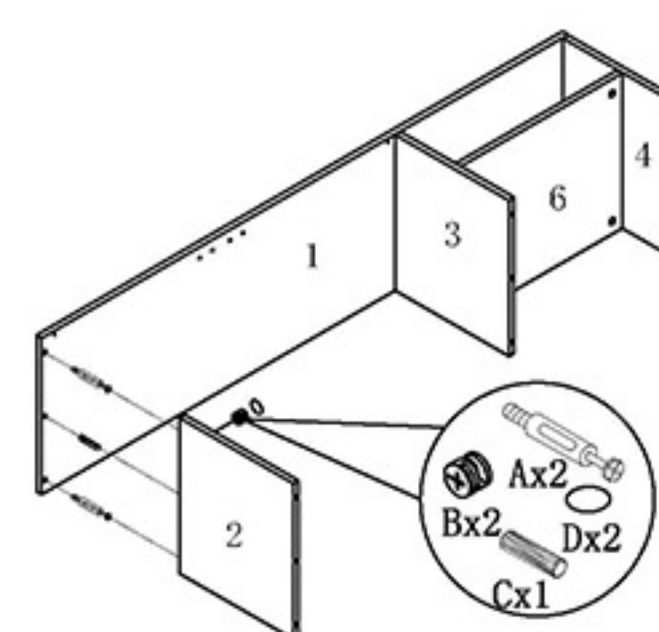


STEP1

STEP2

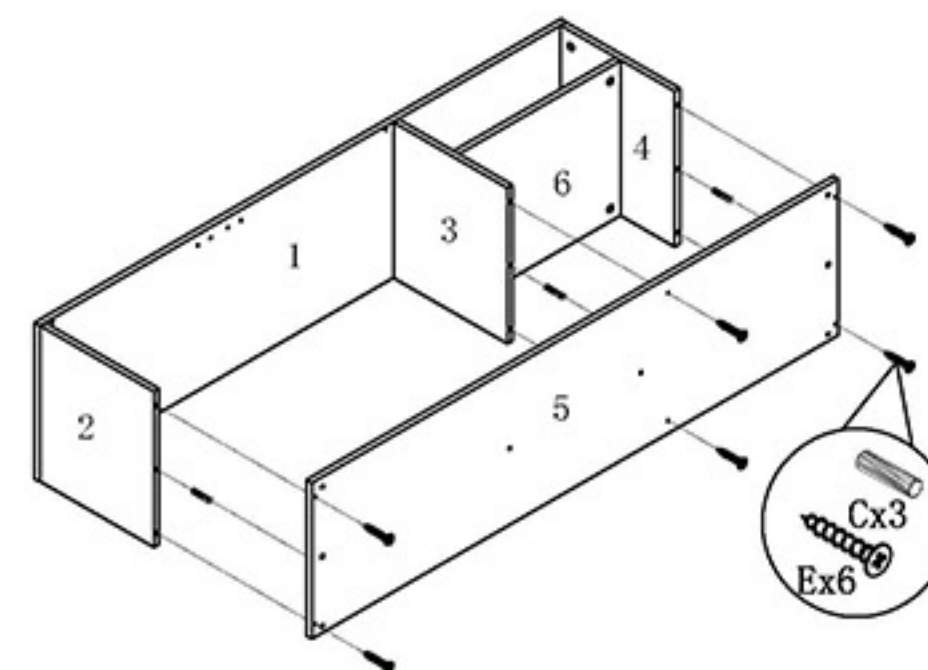


ASSEMBLY INSTRUCTION

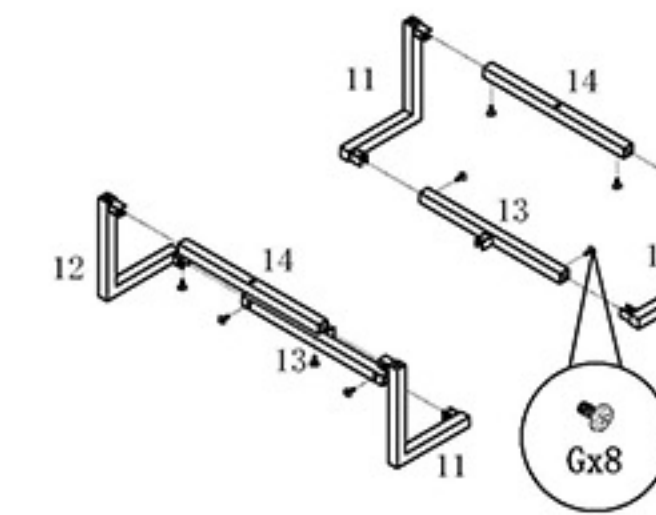


STEP3

STEP4

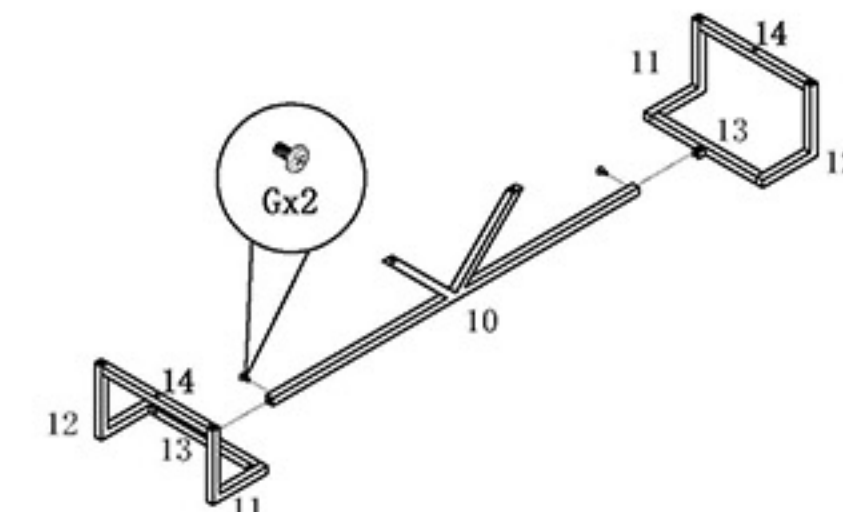


ASSEMBLY INSTRUCTION

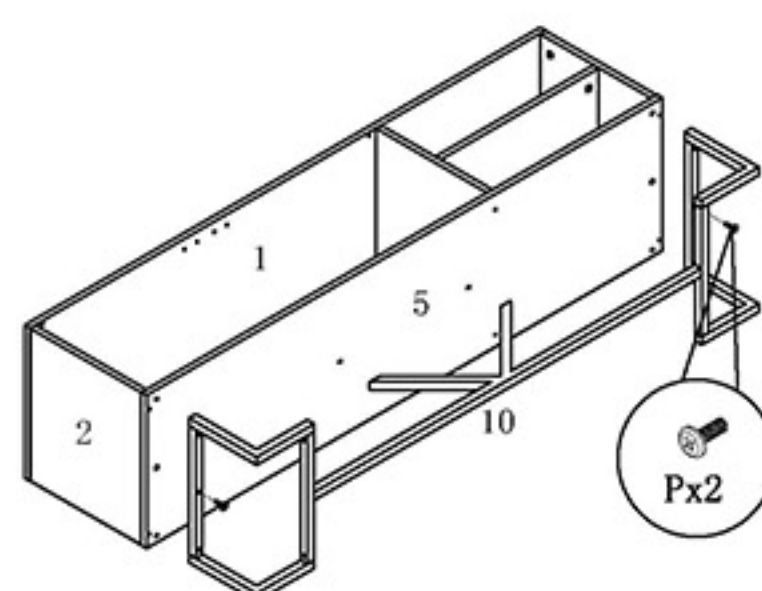


STEP5

STEP6

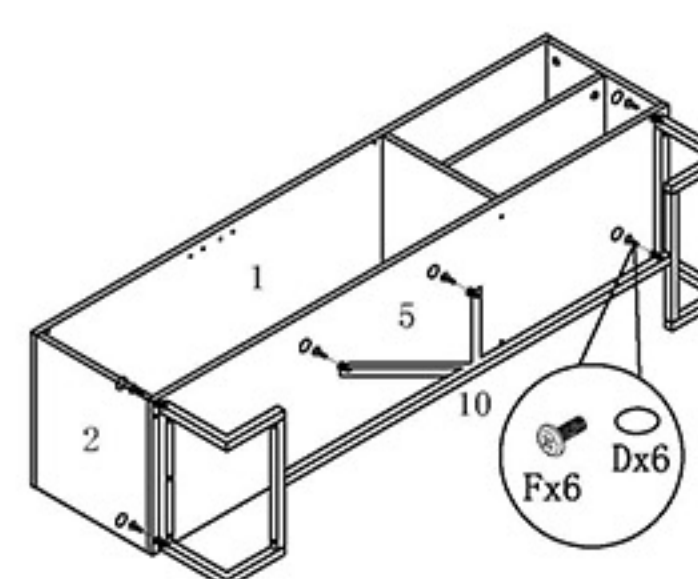


ASSEMBLY INSTRUCTION

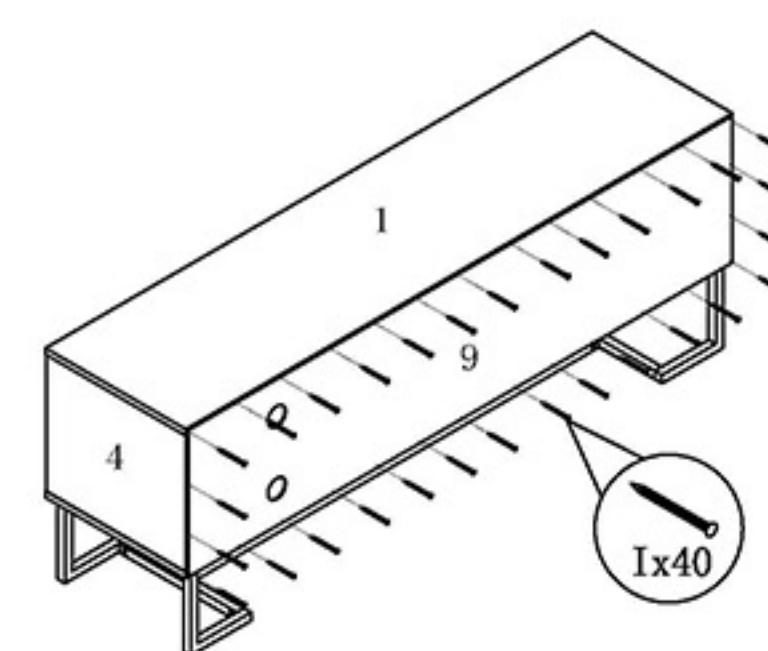


STEP7

STEP8



ASSEMBLY INSTRUCTION



STEP9

STEP10

