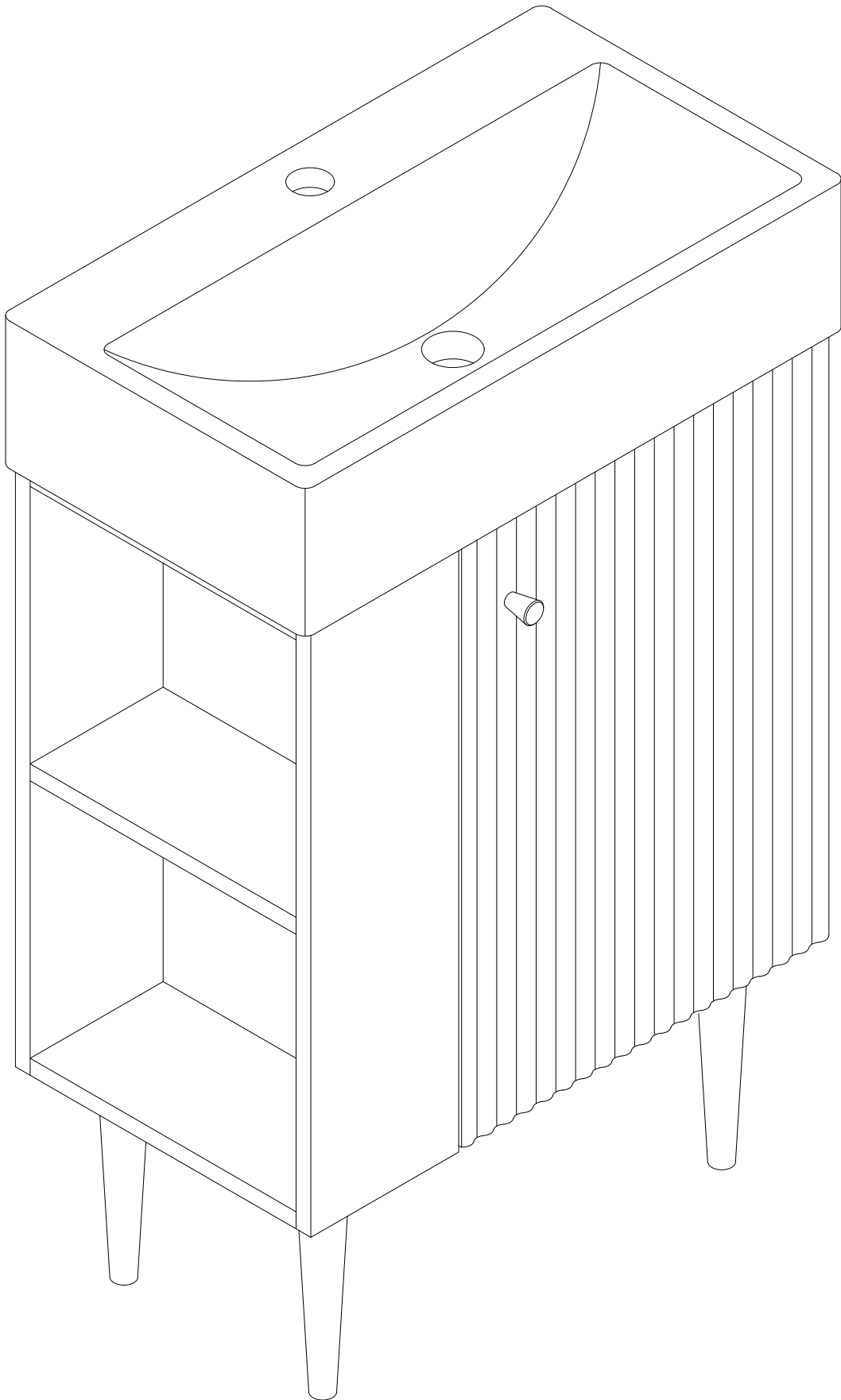


BATHROOM VANITY ASSEMBLY INSTRUCTIONS

Open Shelf on the Left





Safety and Care Advice

Important – Please read these instructions fully before starting assembly

- Check you have all the components and tools listed on the following pages.
- Remove all fittings from the plastic bags and separate them into their groups.
- Keep children and animals away from the work area, small parts could choke if swallowed.
- Make sure you have enough space to layout the parts before starting.

- During assembly do not stand or put weight on the product, this could cause damage.
- Assemble the item as close to its final position (in the same room) as possible.
- Assemble on a soft level surface to avoid damaging the unit or your floor.
- Parts of the assembly will be easier with 2 people.



- To reduce the likelihood of damaging your product please ensure that your power drill is set on a low torque setting.

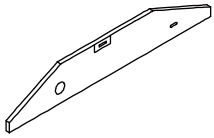
Care and maintenance

- Only clean using a damp cloth and mild detergent, do not use bleach or abrasive cleaners.
- From time to time check that there are no loose screws on this unit.
- This product should not be discarded with household waste. Take to your local authority waste disposal centre.

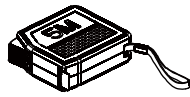
Handy Hints

- Assemble all parts and bolts loosely during assembly, only once the product is complete should you fully tighten the bolts
- Regularly check and ensure that all bolts and fittings are tightened properly.

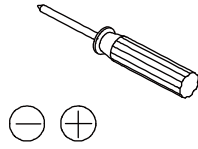
Tools Required (Not Supplied)



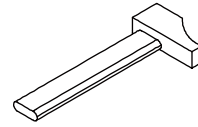
Spirit level



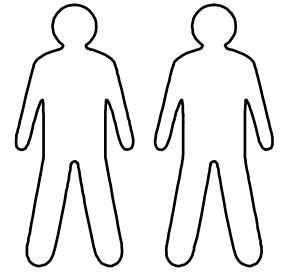
Tape measure



Screwdriver



Hammer



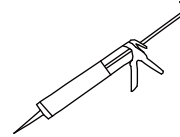
Drill



Drill bit
(Ø8)



Pencil



Silicone

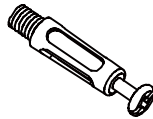
Part List

H1



23x

H2



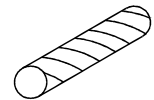
23x

H3



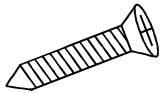
23x

H4



8xΦ8x30

H5



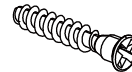
48xM4x16

H6



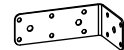
2x

H7



2x

H8



2x

H9



1x

H10



4x

H11



4xM4x70

H12



4xΦ8x40

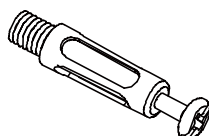
STAND-BY SPAREPARTS

H1



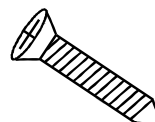
2X

H2

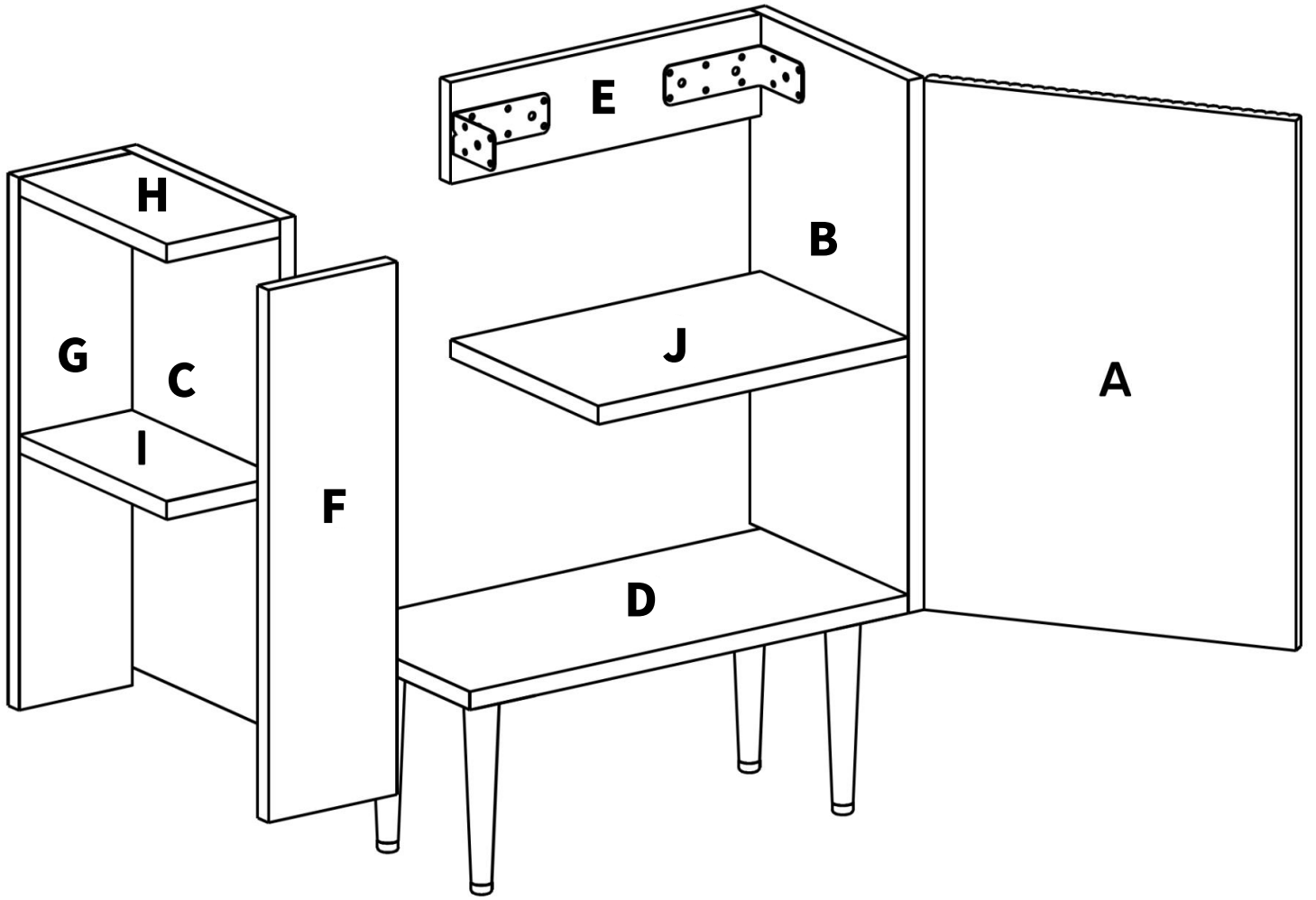


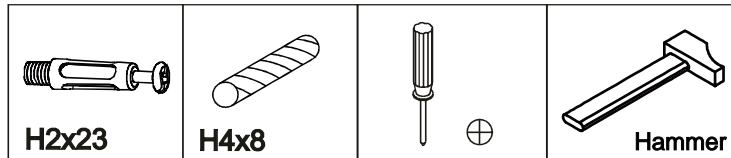
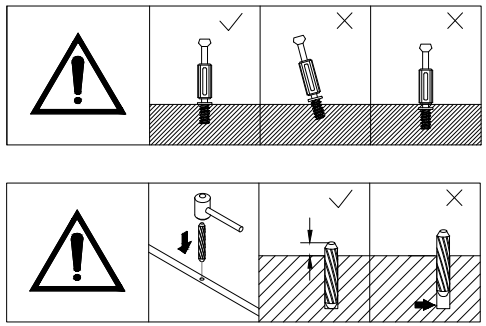
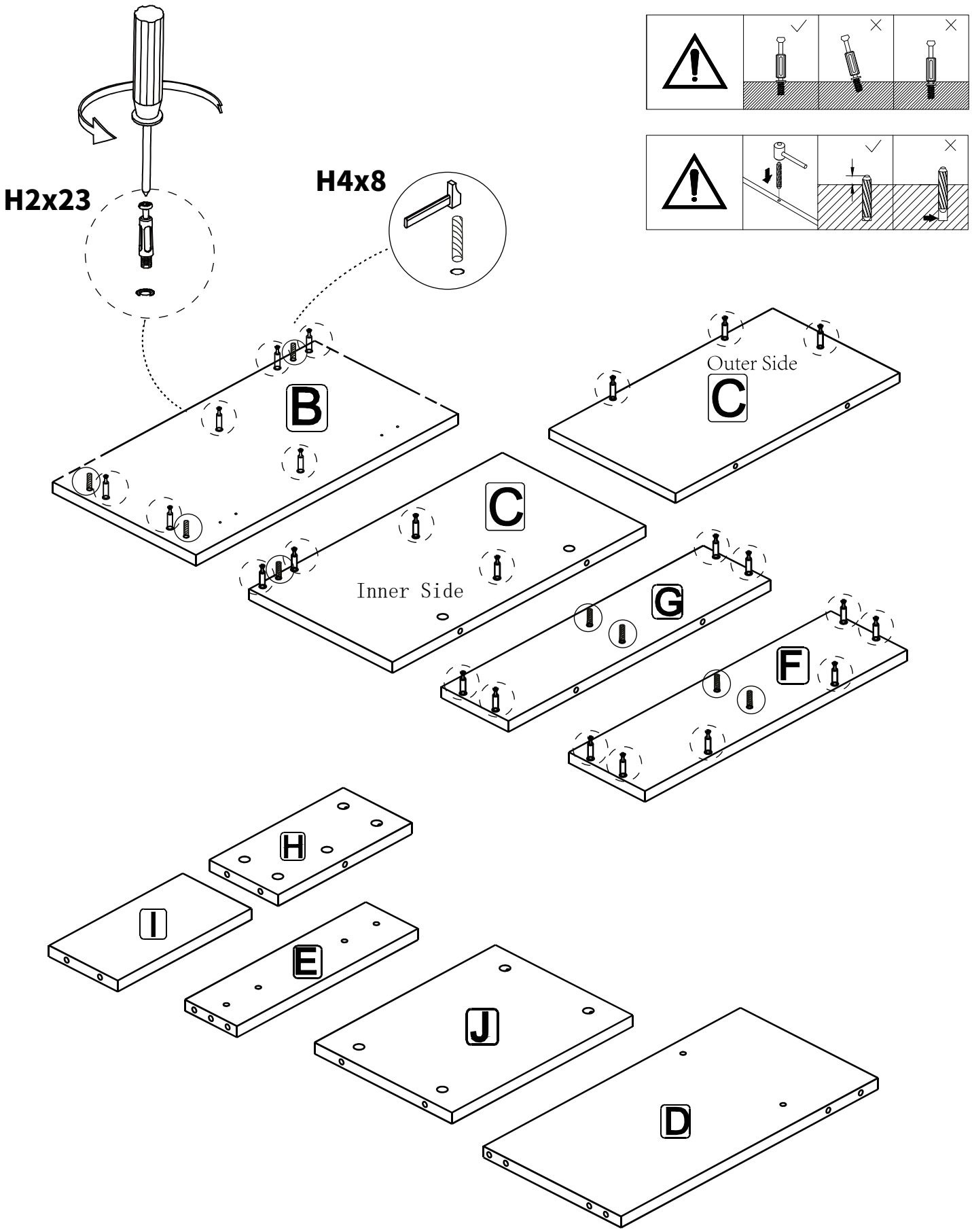
2X

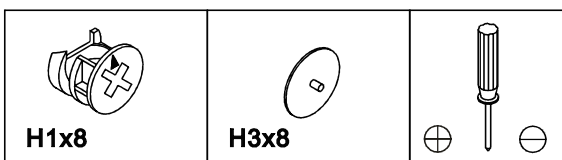
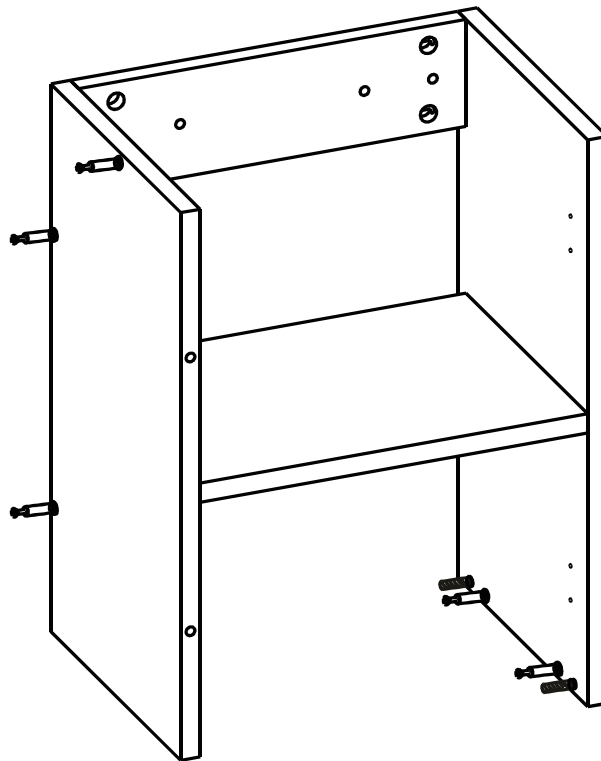
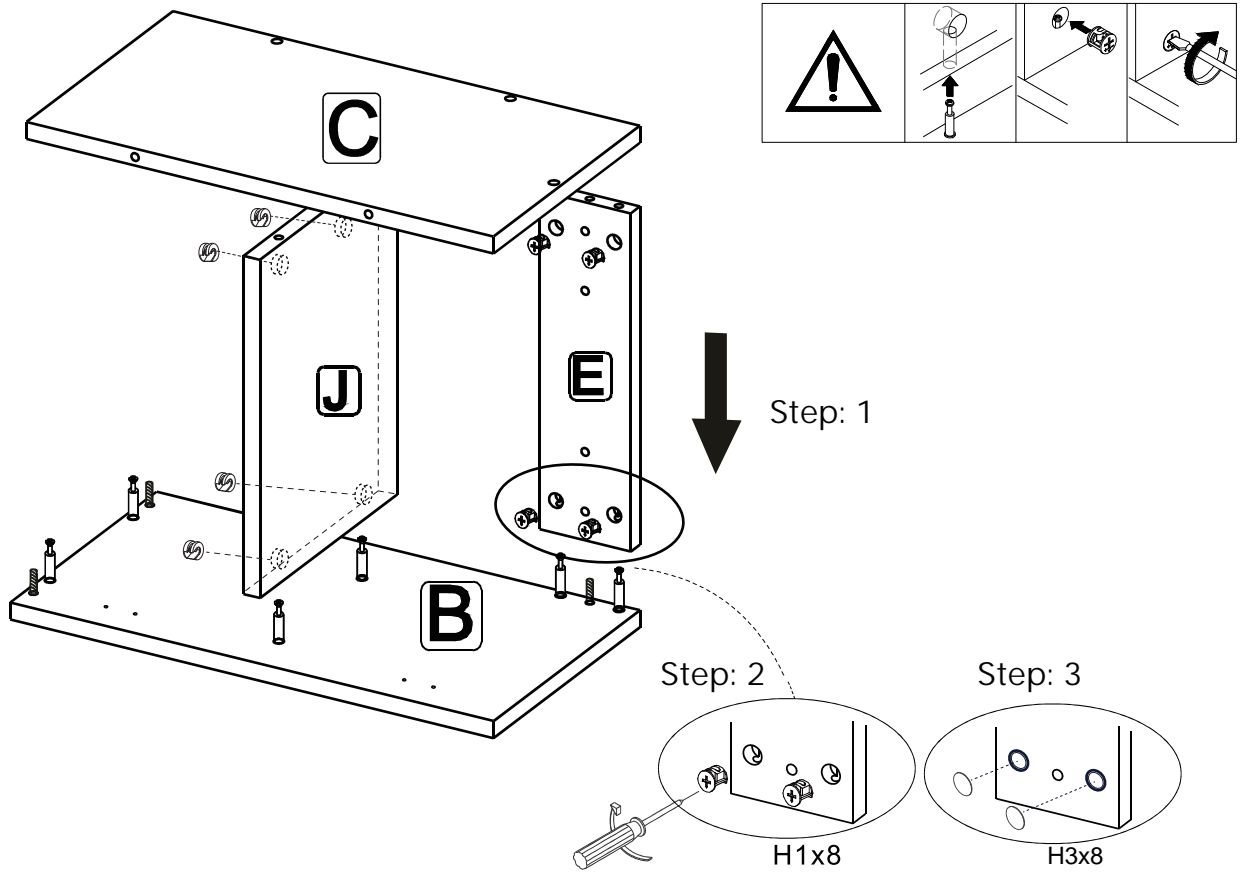
H5

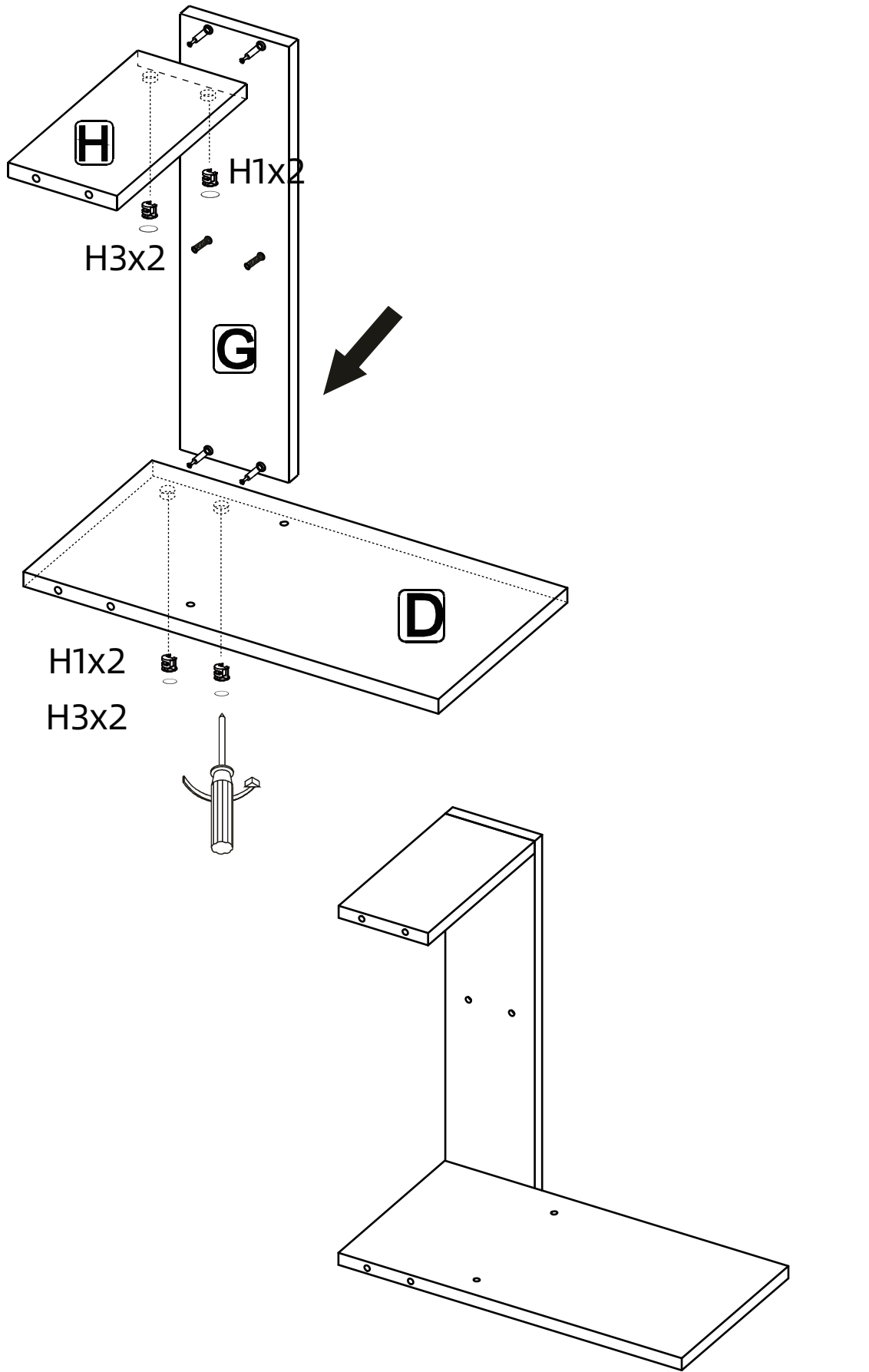


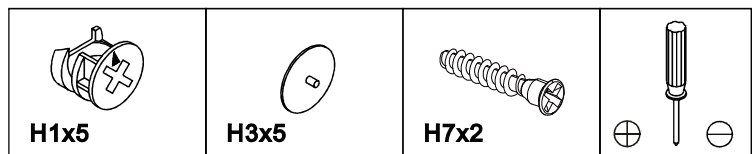
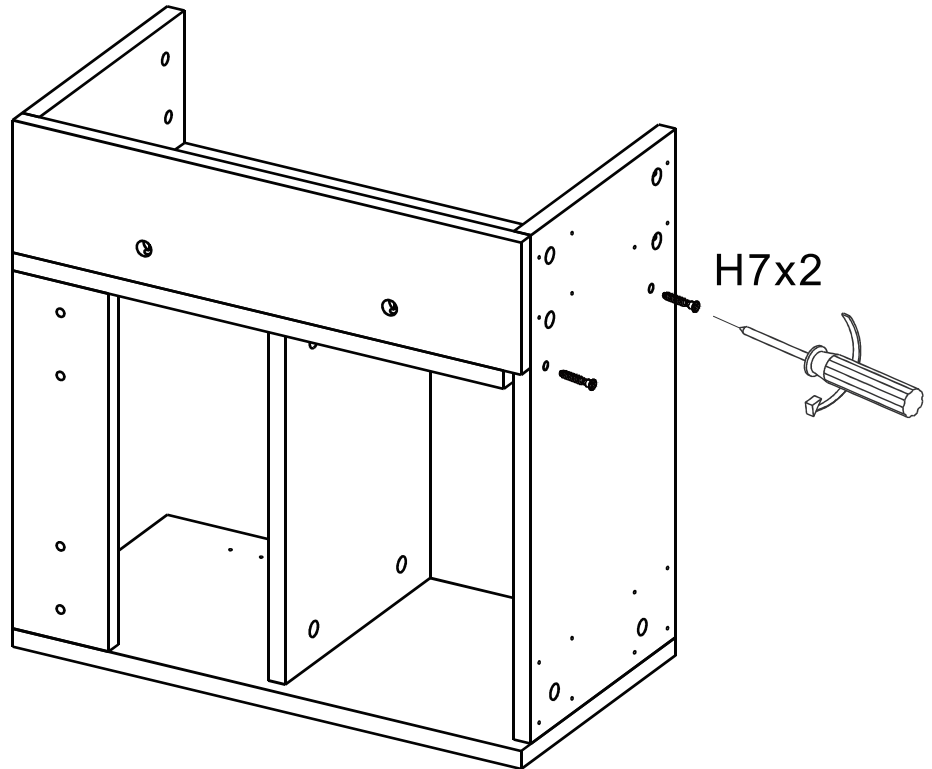
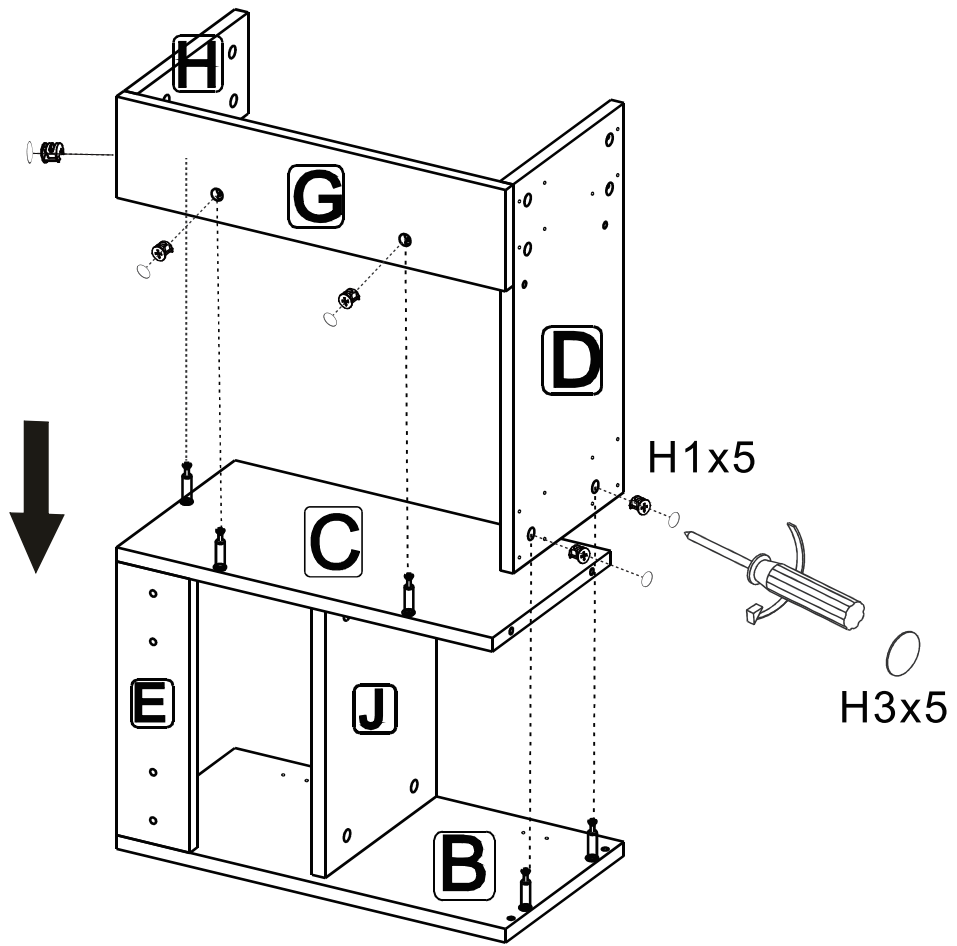
2X

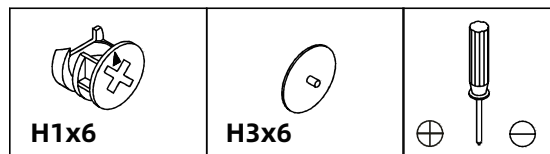
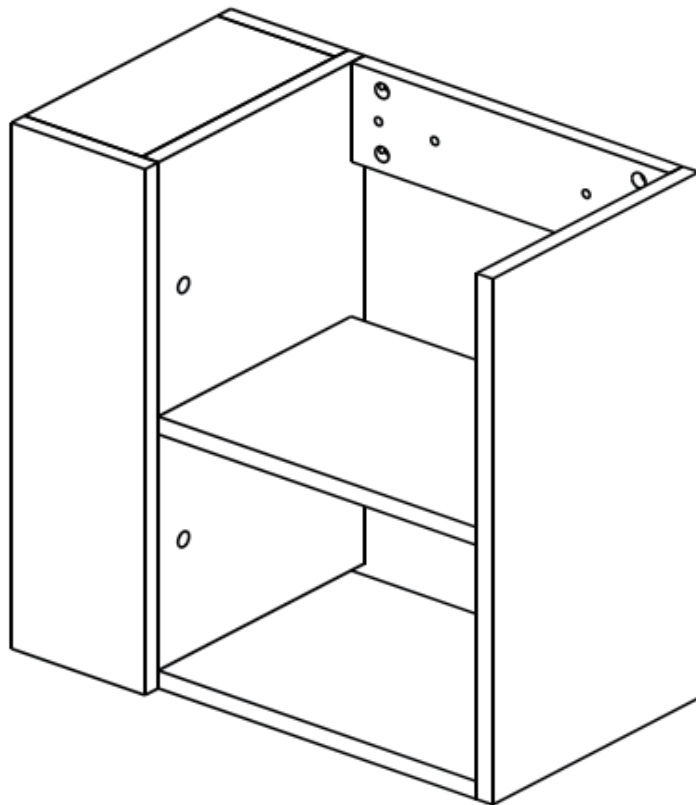
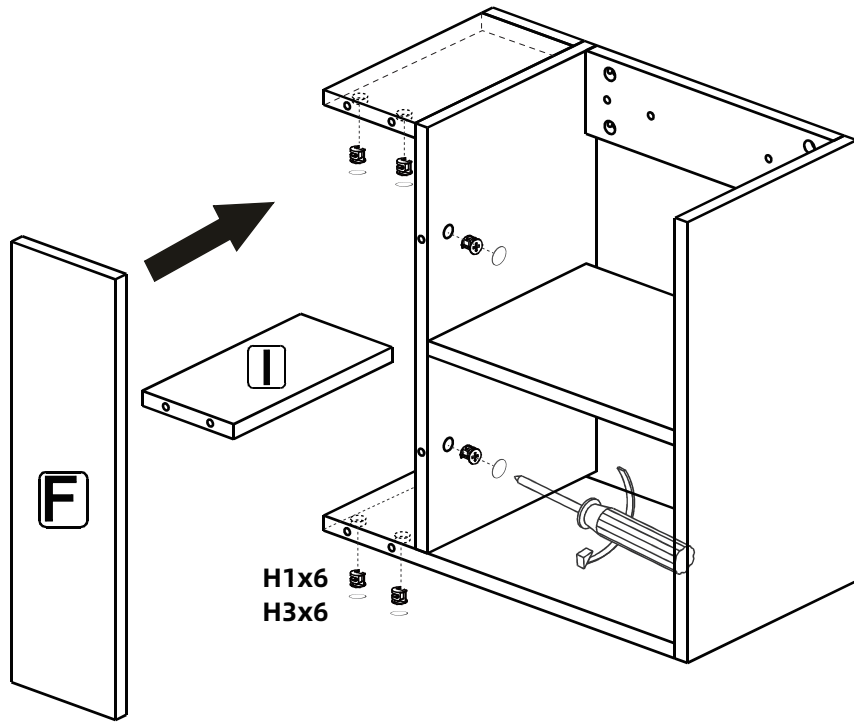


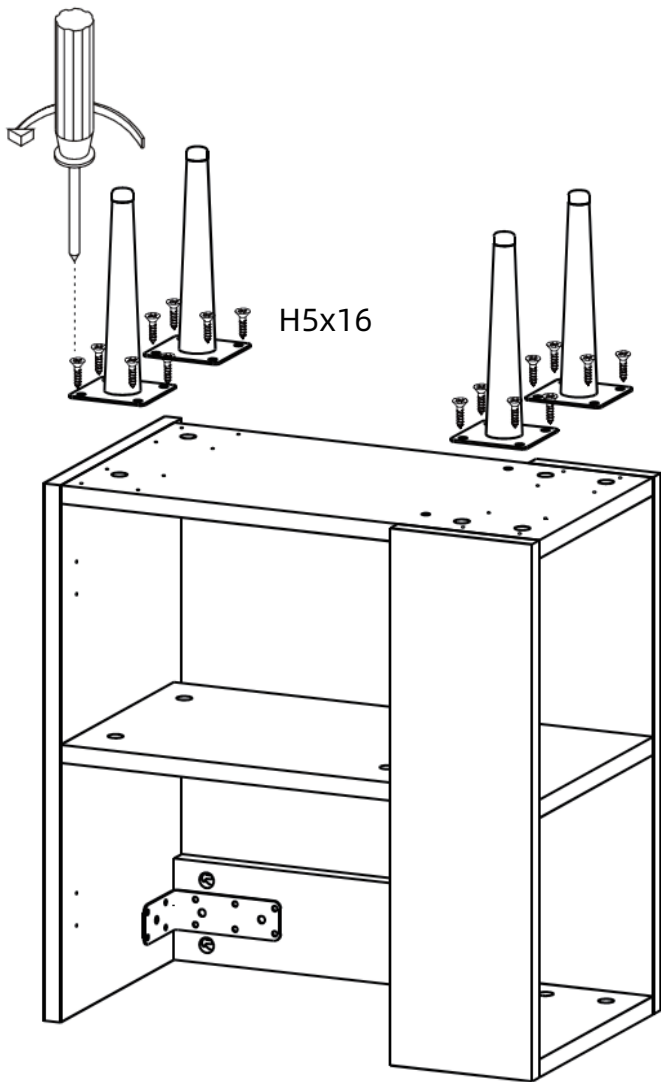
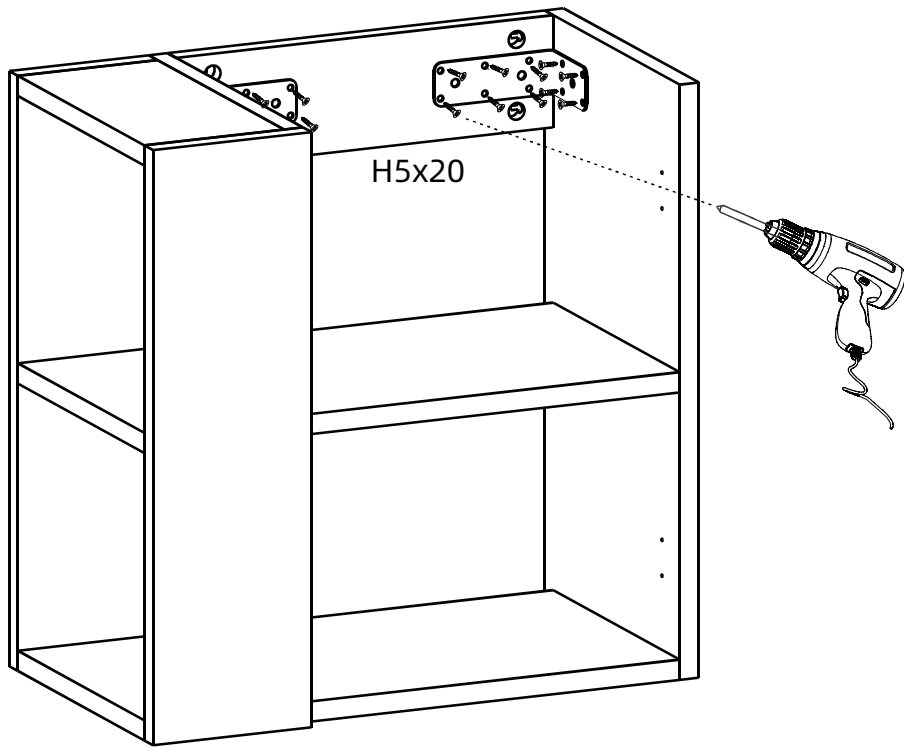




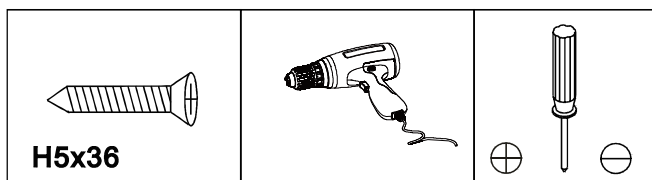


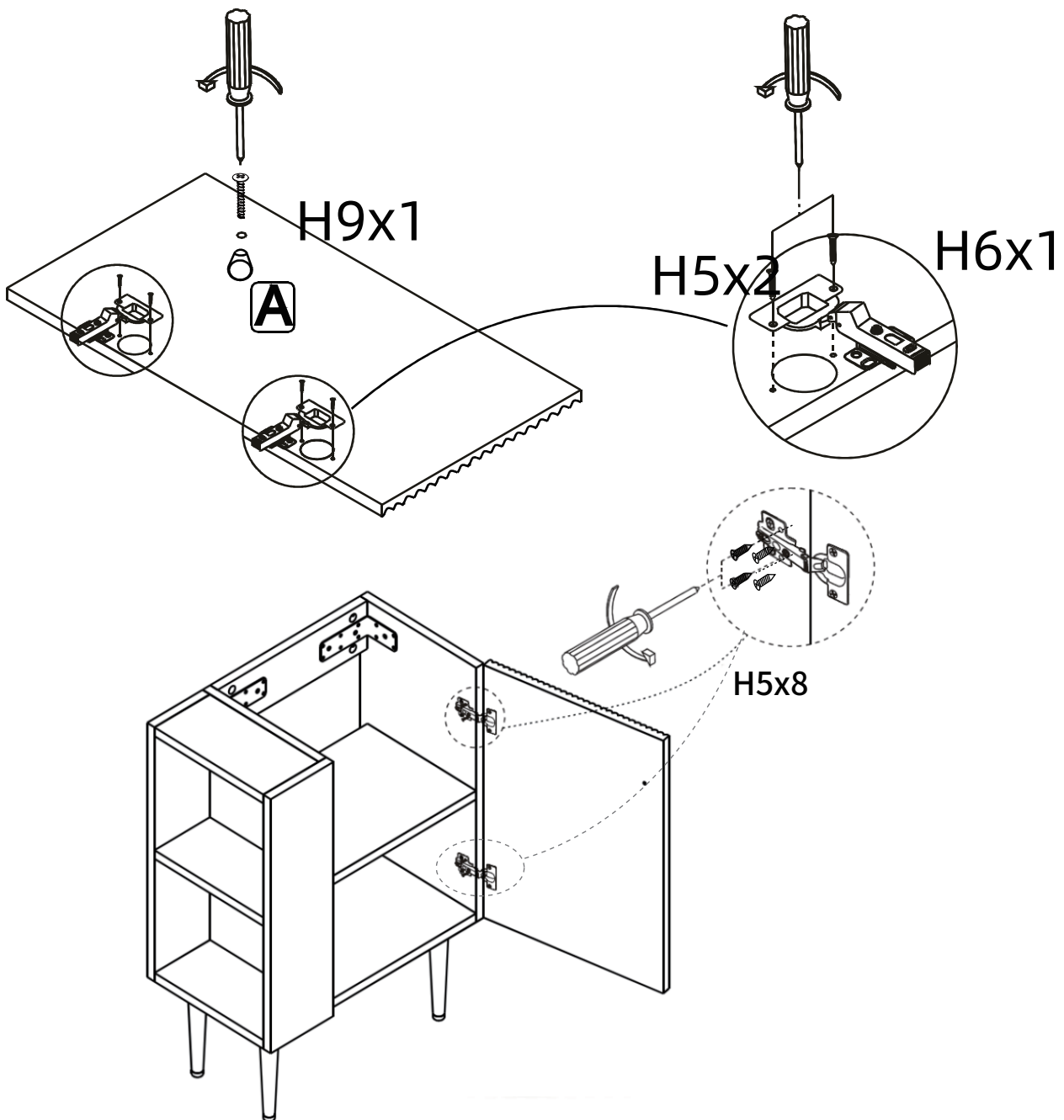


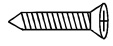


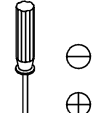




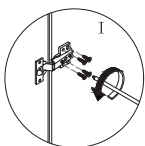
***This is a freestanding bathroom cabinet. The cabinet legs (H10) are optional and may be removed if the customer chooses to install the unit as a wall-hung cabinet.



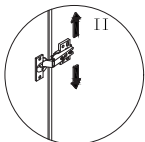


 H5x12	 H6x2	 H9x1	
---	---	--	---

Adjust the door up and down to match the cabinet.



I:loosen the screw.

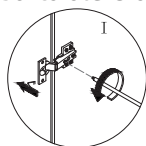


II:Adjust the upper and lower position.

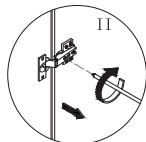


III:tighten the screw.

Adjust the door left and right to match the cabinet for suitable crack of the door

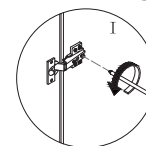


I:loosen the screw to keep hinge apply force toward the direction of arrow.

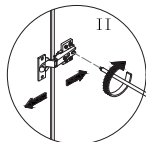


II:tighten the screw to keep hinge apply force toward the direction of arrow.

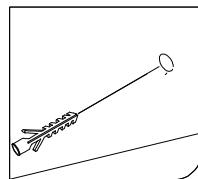
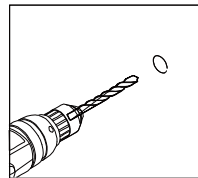
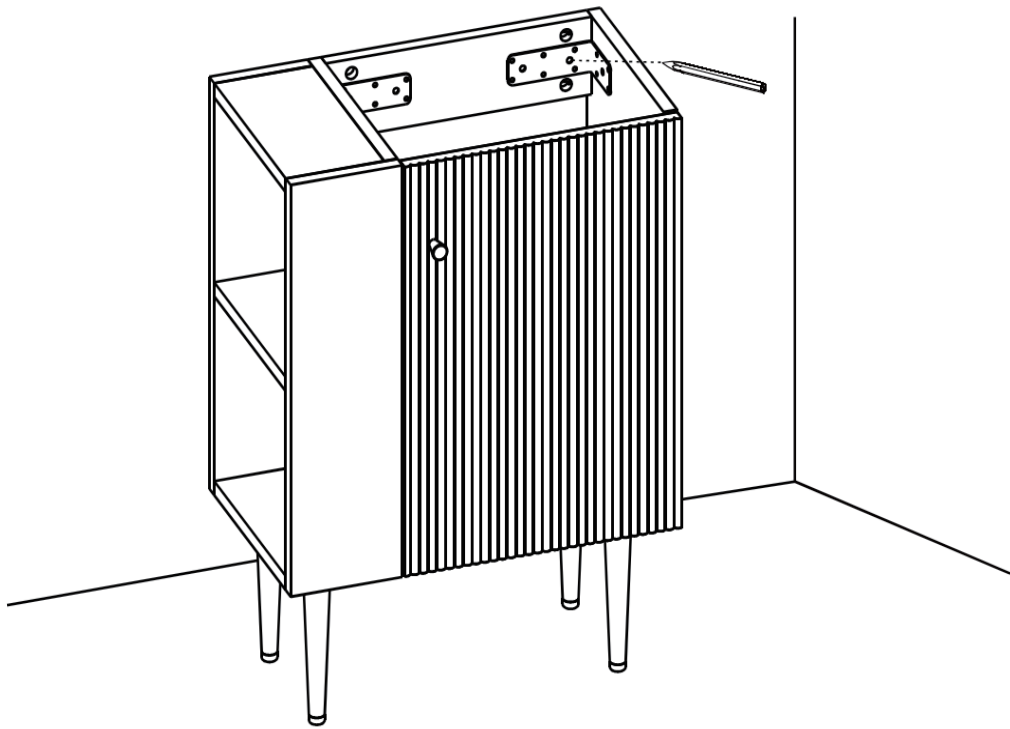
Adjust the door backwards and forwards to match the cabinet.



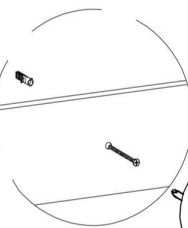
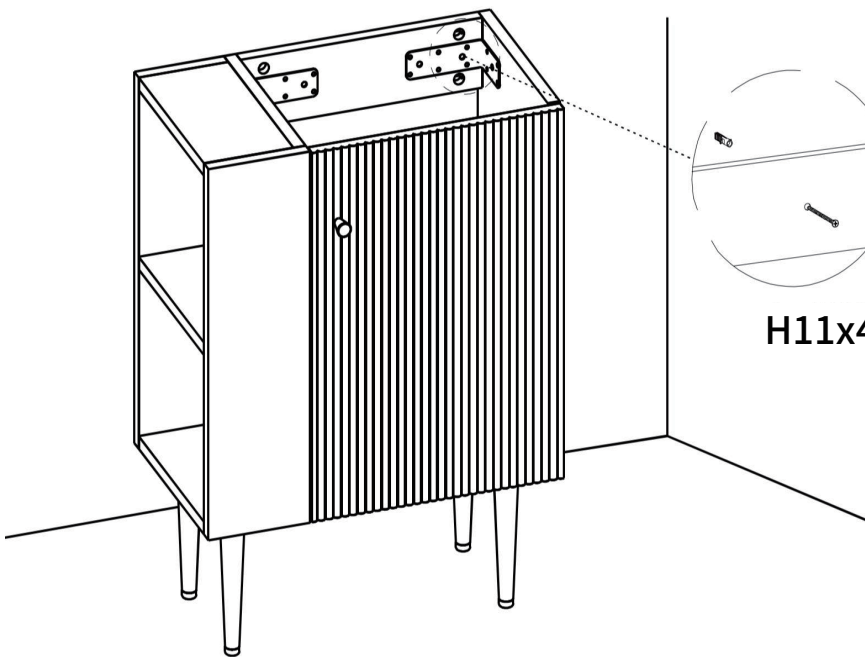
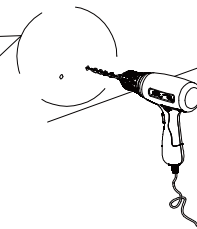
I:loosen the screw.



II:Adjust the distance between front and back.

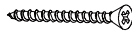





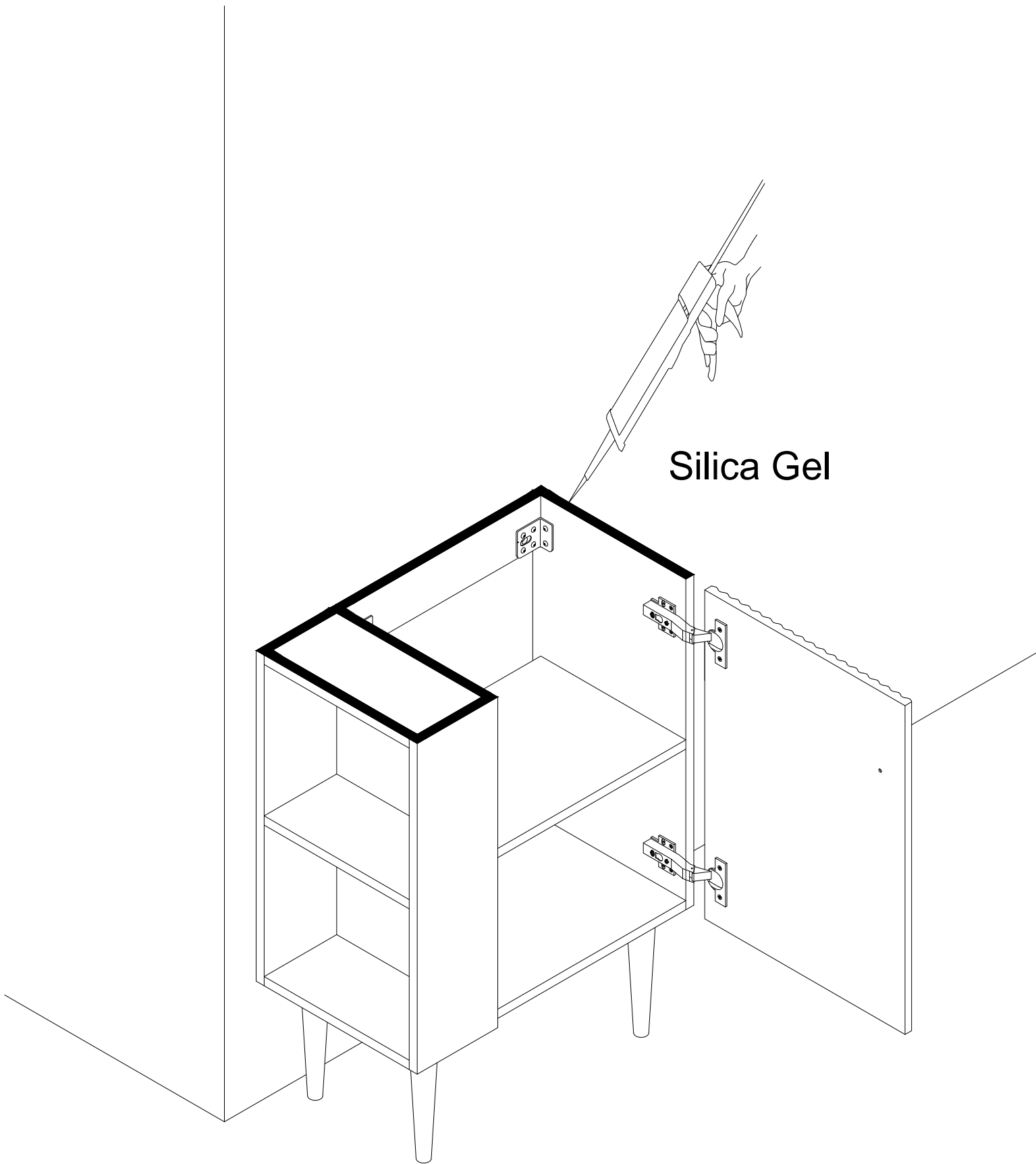
H12x4



H11x4



 <p>H11x4</p>	 <p>H12x4</p>		
---	--	---	---



Silica Gel

Wall

