

INSTRUCTION MANUAL

14FT x 20FT Gazebo

**IF YOU PURCHASED THE PRODUCT ONLINE AND HAVE ANY
QUESTIONS OR CONCERNS PLEASE
CONTACT US WITH EMAIL OR TEXT**

EMAIL: yardsightfurniture@outlook.com

TEXT: +1 323-400-0363

Thank you for your purchase of Gazebo and follow this assembly and operation guide.

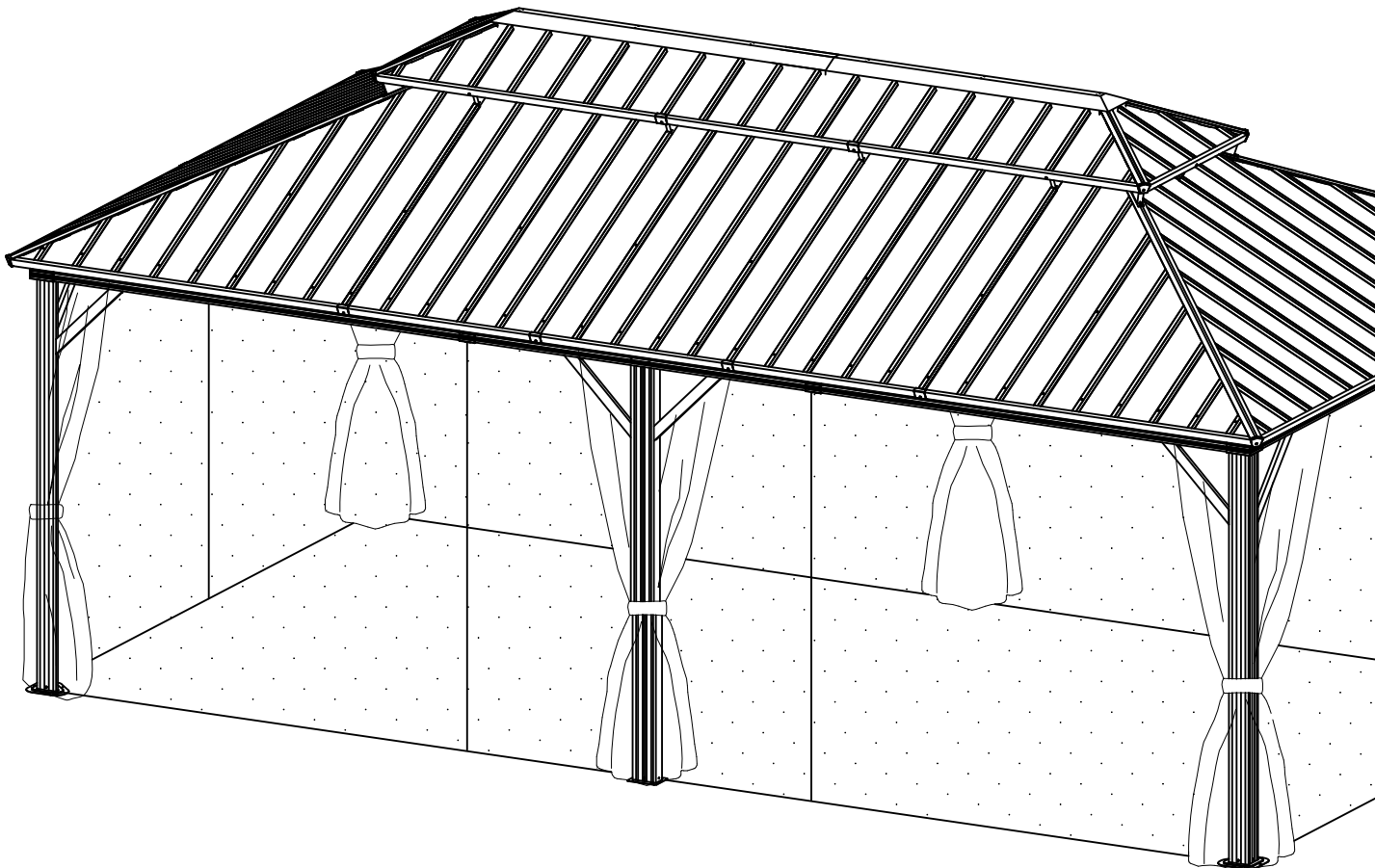
To reduce personal injury and damage to your gazebo, please attach your gazebo netting to the post when it is incoming over **20 mph** wind.

We recommend a **five-person team** for assembly and disassembly.

If you like our products,
please follow more.

Care and Cleaning

- Wash frame parts and fabric with mild soap and water, rinse thoroughly.
- Dry the frame completely and allow the fabric to drip dry.
- Do not use bleach, acid, or other solvents on the fabric or frame parts.
- Please inspect and tighten all bolts or fasteners on a regular basis to ensure the proper performance and safety of your gazebo.



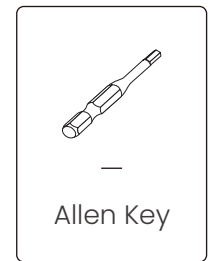
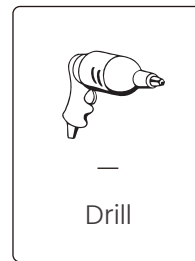
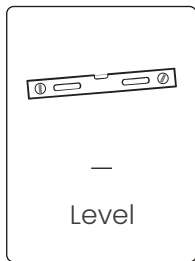
Warnings and Cautions

- Please retain this instruction for future usage and read carefully before assembly.
- Make sure you have all the parts & hardware as the item list shows.
- 5 adults or more are recommended to install your gazebo.
- Do not discard any of the packaging until you have checked that you have all the parts and pack of fittings.
- Check all bolts for tightness before use, and periodically check and tighten bolts to ensure your gazebo works properly.
- Some parts might have sharp edges/corners. Please follow basic safety precautions to reduce the risk of hurt.
- It is essential to place the gazebo on level ground and not less than 6 feet from any obstruction such as fences, garages, the house, overhanging branches, laundry lines, or electrical wires.
- Lastly, be careful the parts are not swallowed by pets and kids.

Pre-assembly

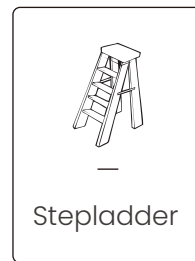
TOOLS THAT MAY BE REQUIRED (NOT included in the boxes)

*NOTE: Tools / equipment are not shown to actual size and scale



EQUIPMENT REQUIRED (NOT included in the boxes)

*NOTE: Equipment are not shown to actual size and scale



Matters needing attention



Five or more people are required for assembly.



Do not fully tighten screws prior to complete assembly.

Warranty

One Year Warranty

Frames

Frames constructions are warranted to be free from defects in material and workmanship for 1 year from item purchased. Damage to frame from negligence won't be covered by this warranty.

Bolts & nuts

Bolts and nuts are warranted to be free from defects in material and workmanship for 1 year from item purchased. Damage from exposure to chemicals (including not only oils, spills, fluids) won't be covered by this warranty.

Netting

Nettings are warranted to be free from defects in material and workmanship for 1 year from item purchased. Damage from exposure to chemicals (including but not only oils, spills, fluids) won't be covered by this warranty.

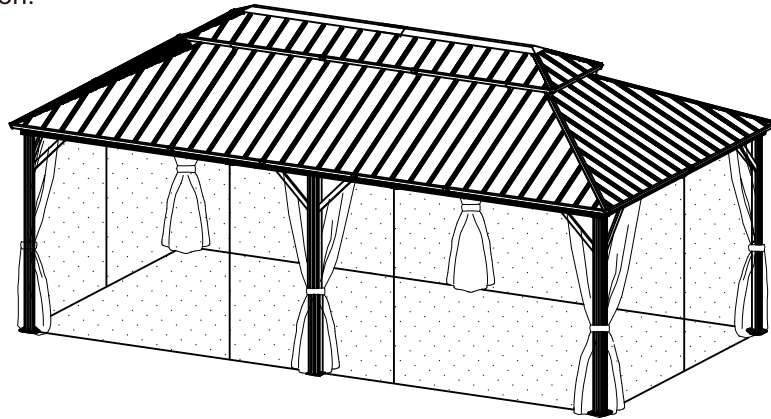
Warranty Limitation

This warranty is for the original purchase order only. (Order number required). This warranty is non-transferable.

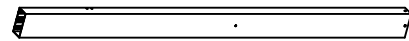
Carton-1/6		Carton-2/6		Carton-4/6	
Part	Qty	Part	Qty	Part	Qty
A	4	G12	2	S1	4
A4	2			S2	4
C15	4			X32	6
C16	4	Carton-3/6		X33	4
D26	4	Part	Qty	X34	4
E5	4	D24	4	X38	2
F8	3	F18	4	H	6
G7	2	F19	4	H1	6
G8	2	L5A	1		
I7	2	M5	1		
I8	2	I1	2	Carton-5/6	
V1	2	Q1	8	Part	Qty
V5a	2	Q3	8	X1	4
V5b	2	Q4	12	X2	4
U	160	N	12	X3	4
		N1	8	X4	4
		K1	6	X37	2
Carton-2/6		K	4	X40	6
Part	Qty	J	4	S3	6
B11	4	J1	2		
B12	4	V	6		
B15	2	Y	164	Carton-6/6	
D25	2	Z	72	Part	Qty
D27	2	Z1	16	X40	12
F5	4	Z2	8	D15	8
F15	4	T	4+2	P	6
F16	4	T1	4+2	1.2.3.4.5.7.8.9.10. 11.12.14.15.16	
F25	4				
G1	2				

Attention:

1. Please do not fully tighten all the screws prior to complete assembly.
2. Please check the manual carefully and make sure you have received all the parts.
3. If there is any missing, please let us know the parts with the part number you need.
4. If there is any damage, please send clear photos to us, we will check and offer you best solution soon.



(A) 4x



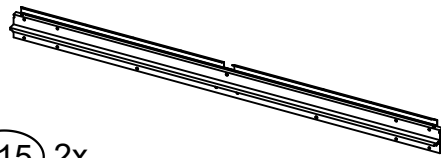
(A4) 2x



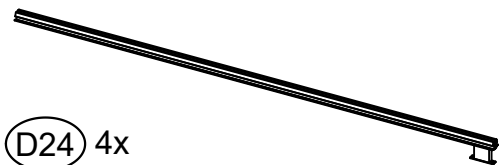
(B11) 4x



(B12) 4x



(B15) 2x



(D24) 4x



(D25) 2x



(D26) 4x



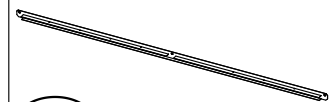
(D27) 2x



(C15) 4x



(C16) 4x



(G12) 2x



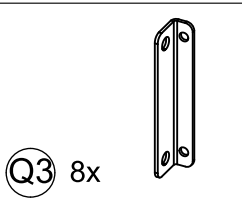
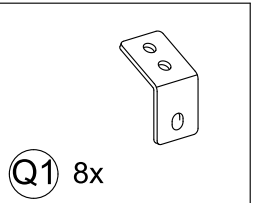
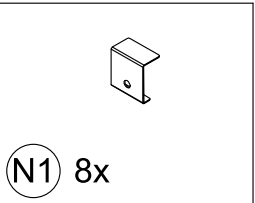
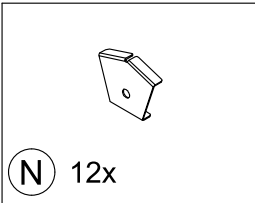
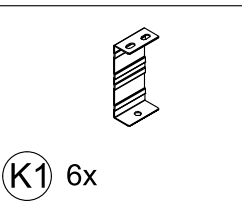
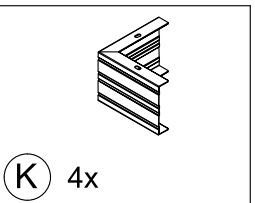
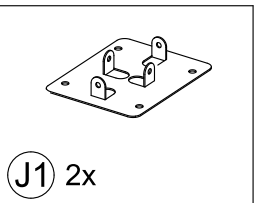
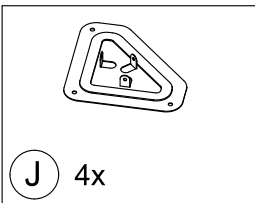
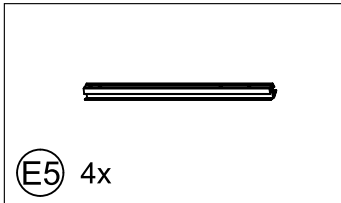
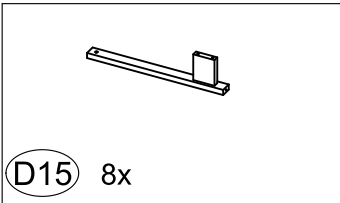
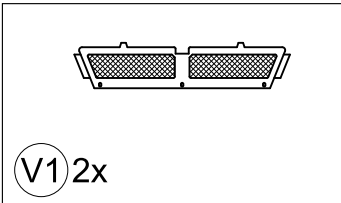
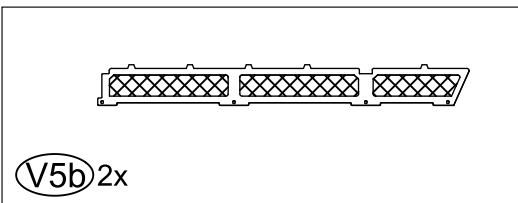
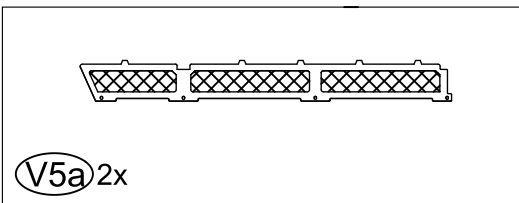
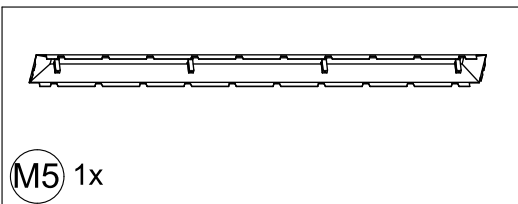
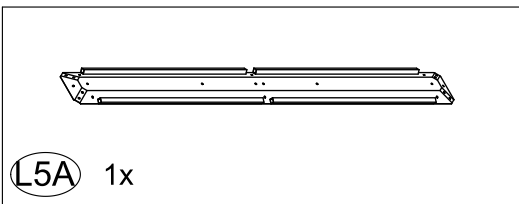
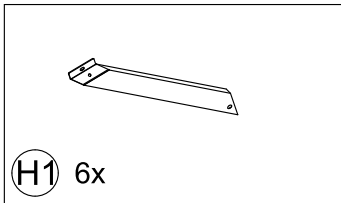
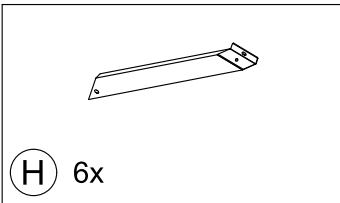
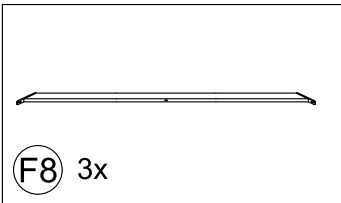
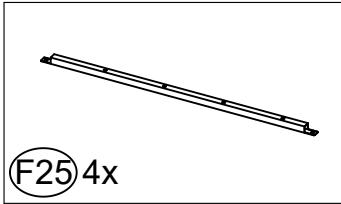
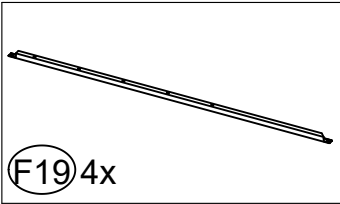
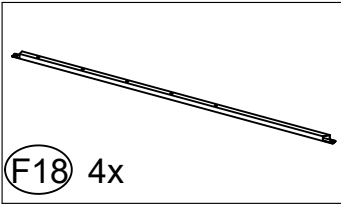
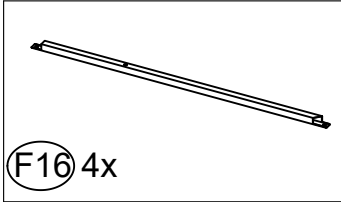
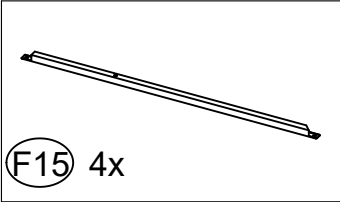
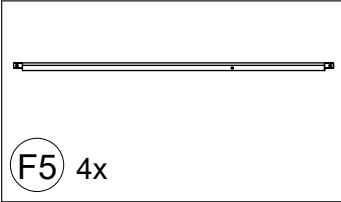
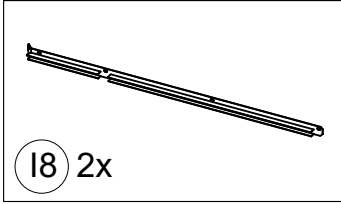
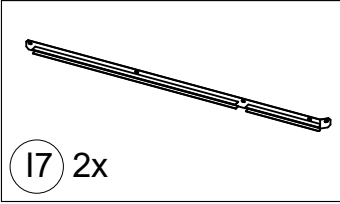
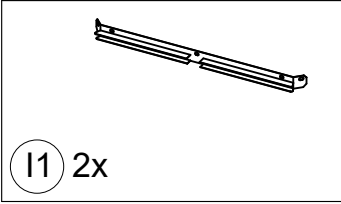
(G1) 2x

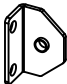

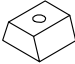

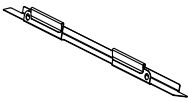
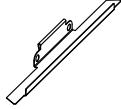
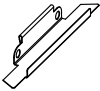
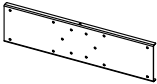

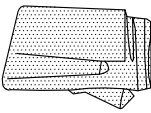

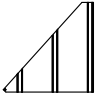
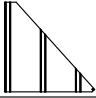
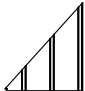
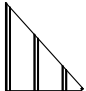
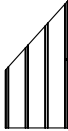
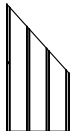











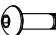



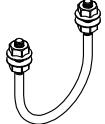

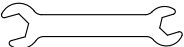




(G7) 2x



(G8) 2x



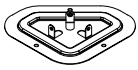
 Q4 12x	 V 6x	 Y 164x	 U 160x
 Z 72x	 Z1 16x	 Z2 8x	 P 6x
 T 4x + 2x	 T1 4x + 2x	 S3 6x	 S1 4x
 S2 4x	 X1 4x	 X2 4x	 X3 4x
 X4 4x	 X32 6x	 X33 4x	 X34 4x
 X37 2x	 X38 2x	 X40 18x	 M6x15 1 248x
 M6x23 2 96x	 M6x25 3 6x	 ST 4.8x12 4 8x	 5 3x
 M6x47 7 68x	 8 20x	 M6x10 9 12x	 M8x50 10 20x
 11 1x	 4mm 12 2x	 14 1x	 M5x15 15 40x
 M6x35 16 16x			

<1>

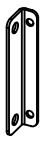
(A) 4x



(J) 4x



(Q3) 8x



(Q4) 8x



(1) 12x

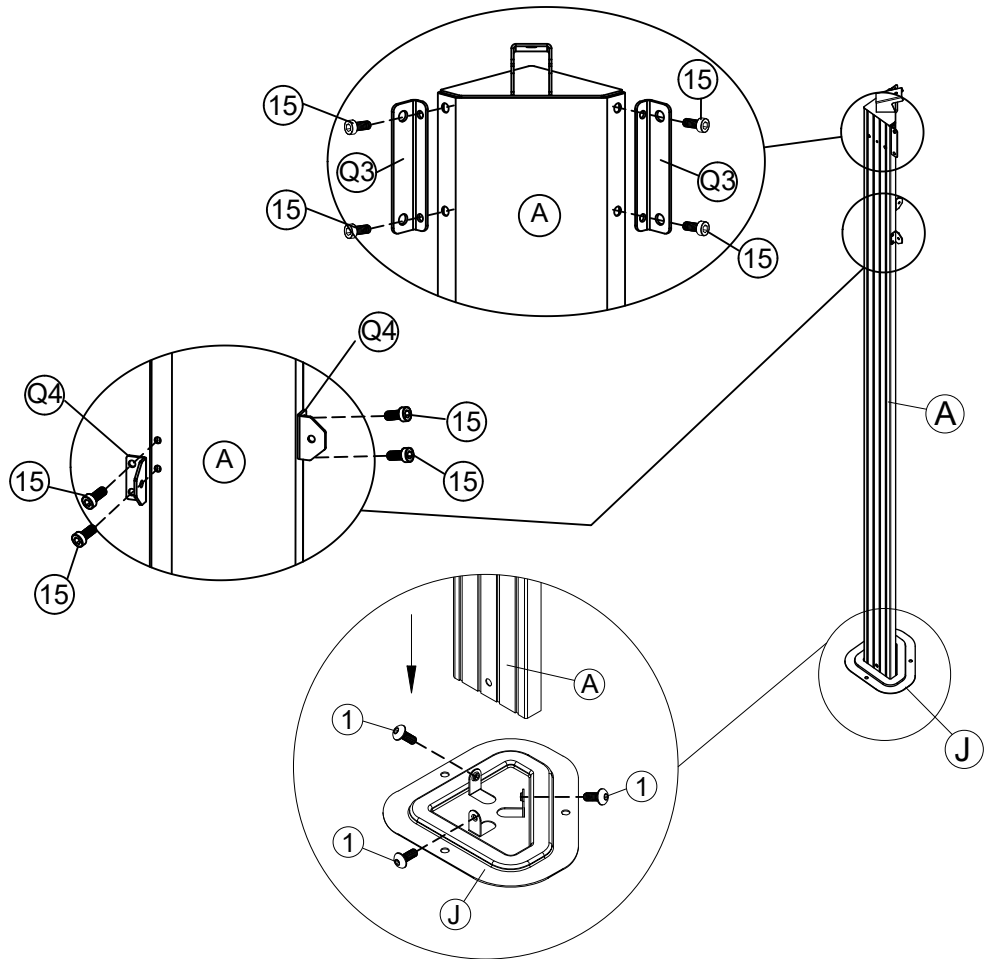


M6x15

(15) 32x



M5x15

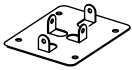


<2>

A4 2x



J1 2x



Q4 4x



1 8x

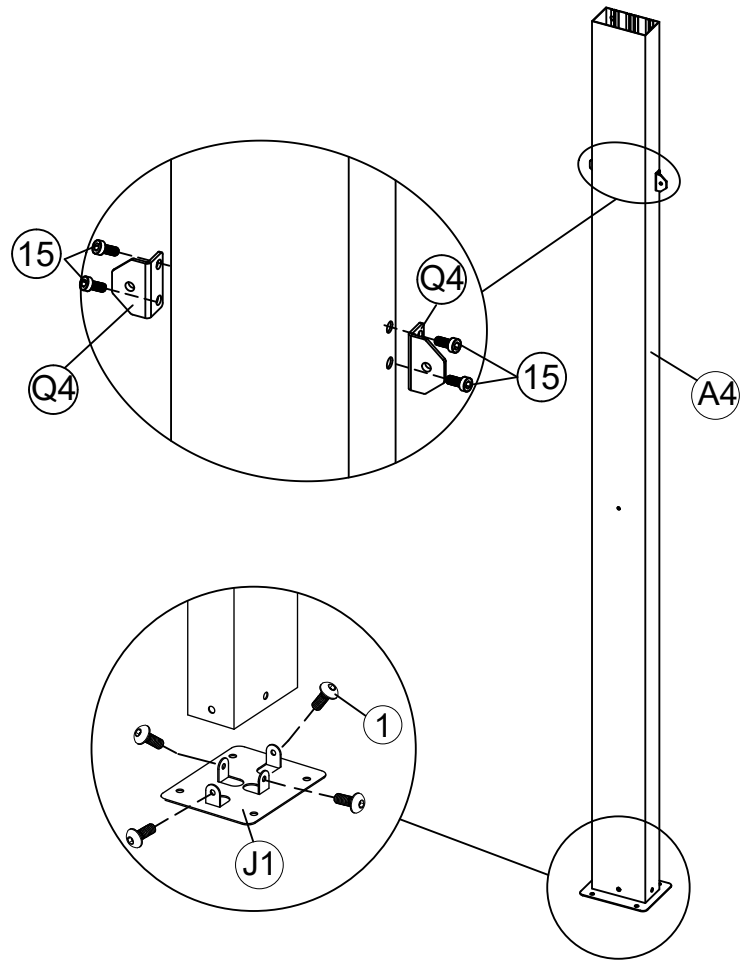


M6x15

15 8x



M5x15



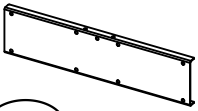
<3>



B11 2x



B12 2x

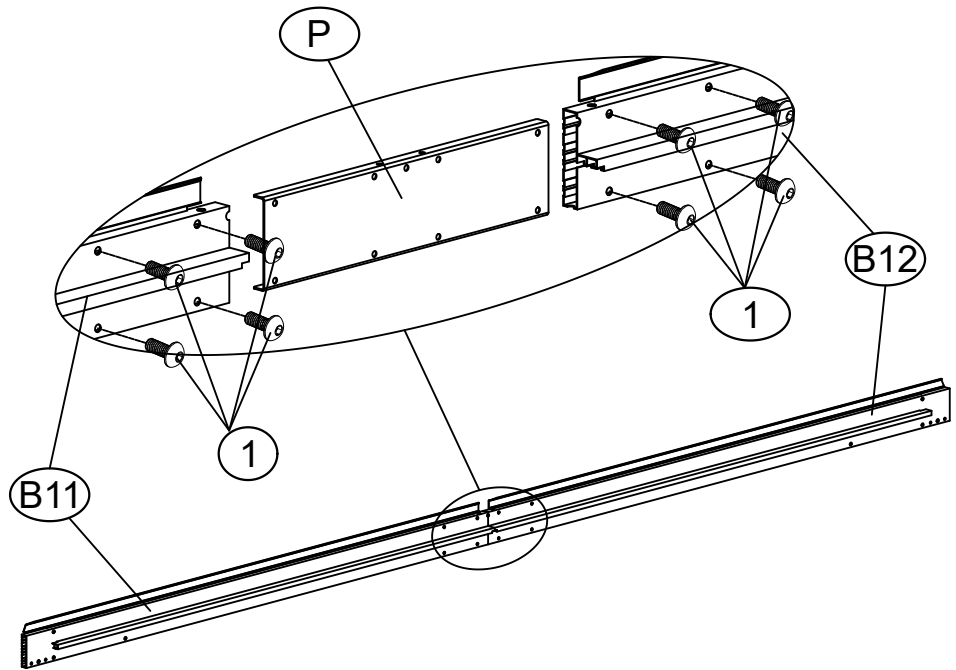




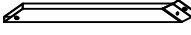
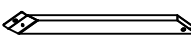


P 2x

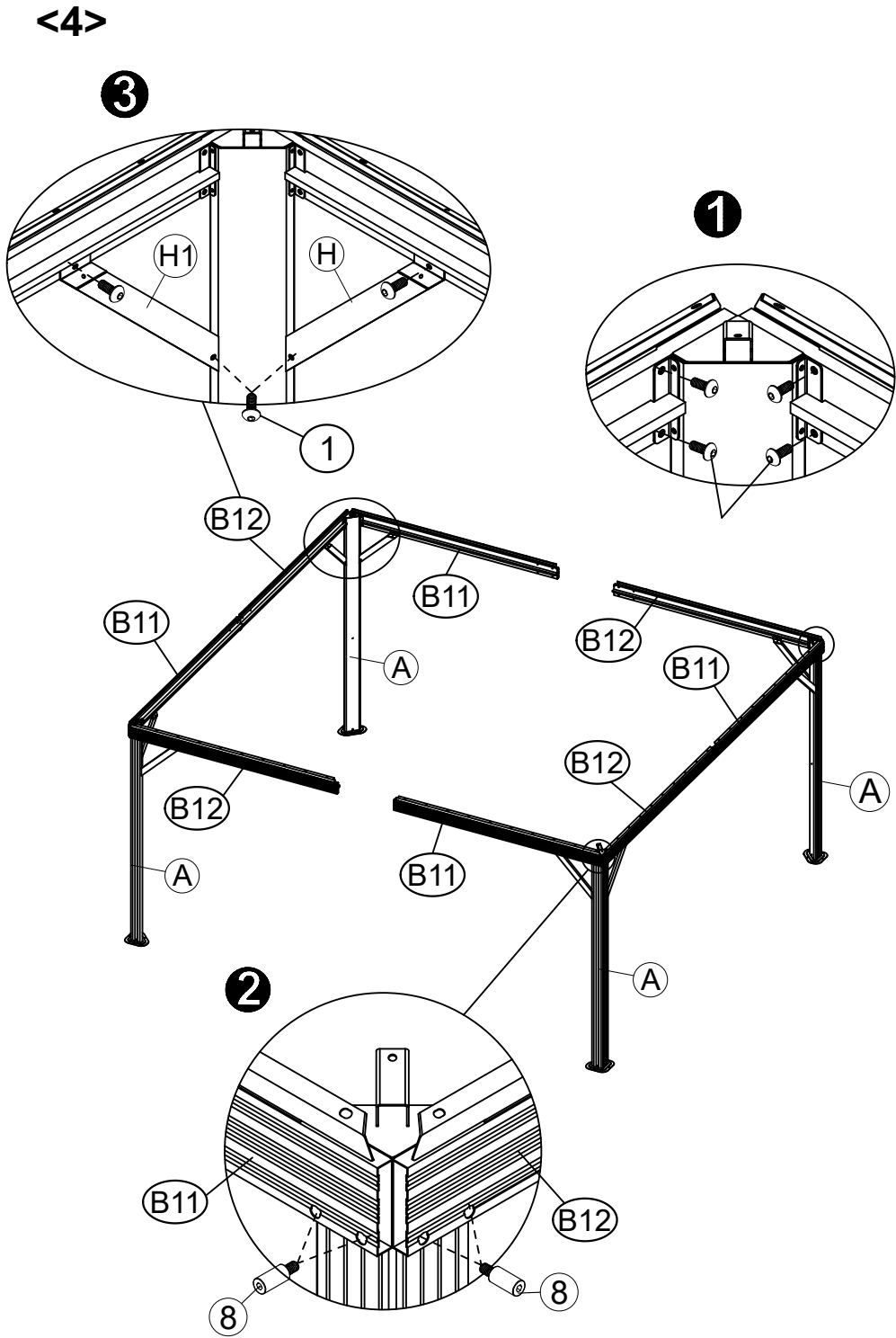


M6x15

1 16x

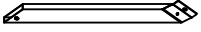


-  (B11) 2x
-  (B12) 2x
-  (H) 4x
-  (H1) 4x
-  M6x15
(1) 32x
- 
- (8) 16x

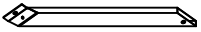




B15 2x



H 2x



H1 2x



P 4x



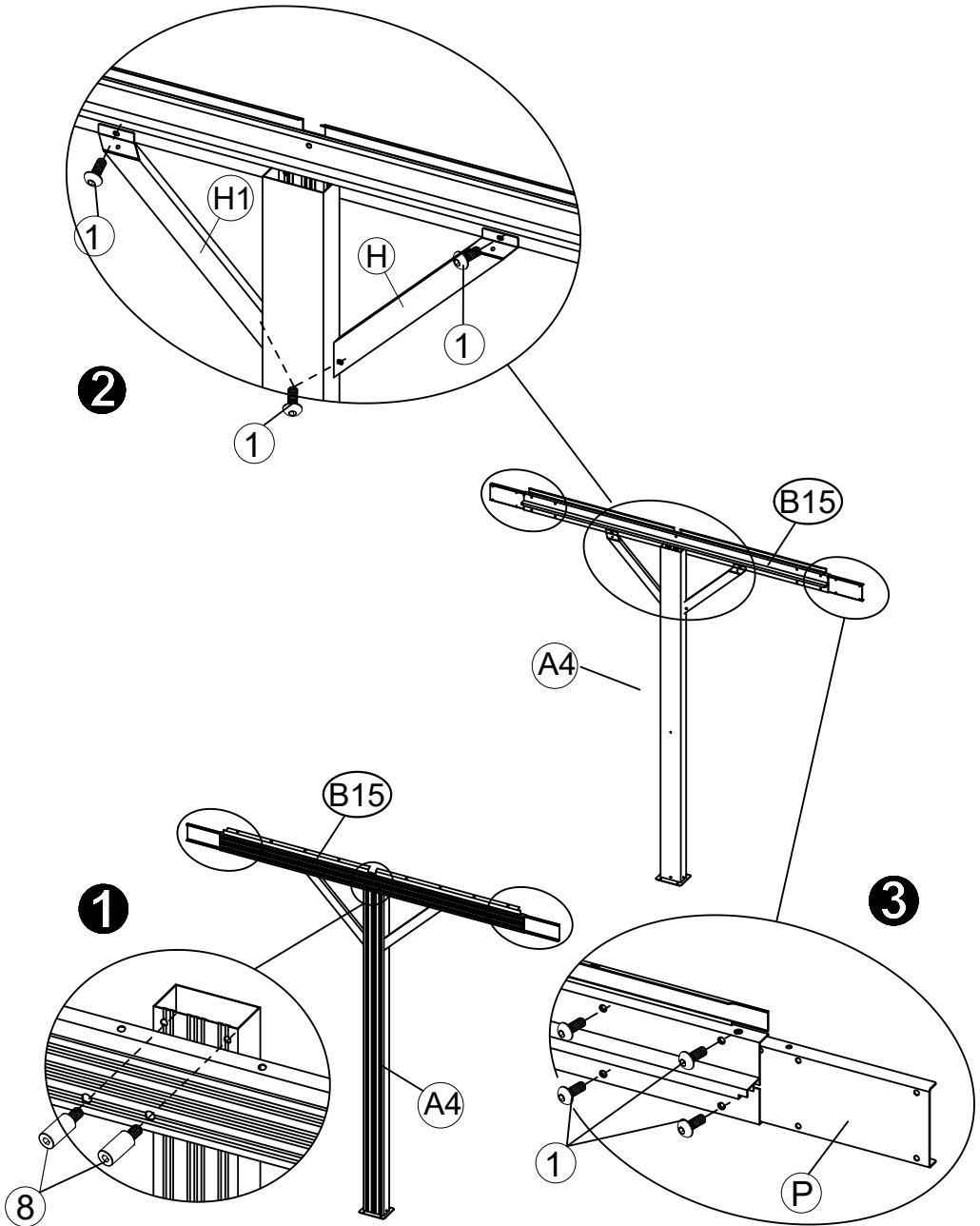
M6x15

1 24x

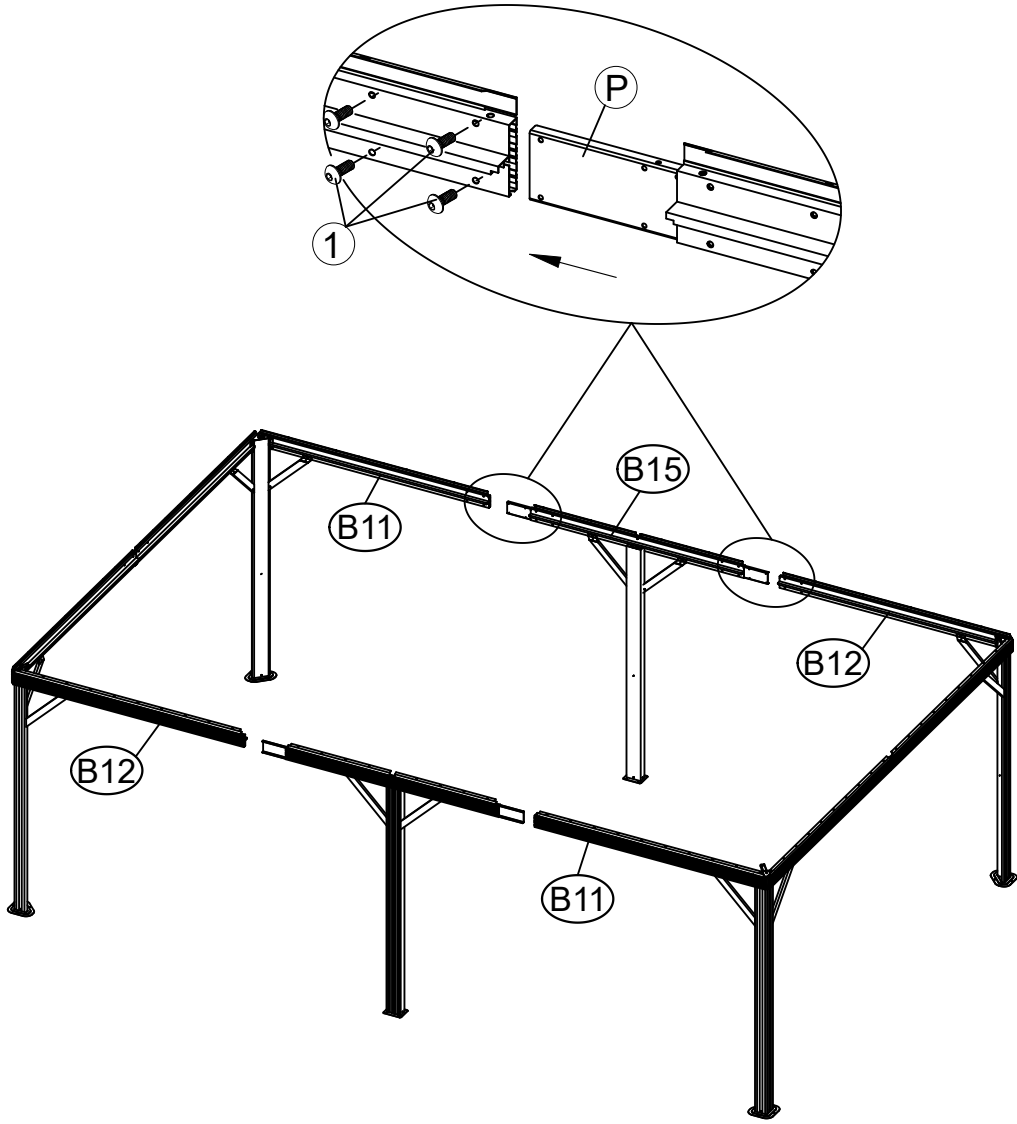


8 4x

<5>



<6>

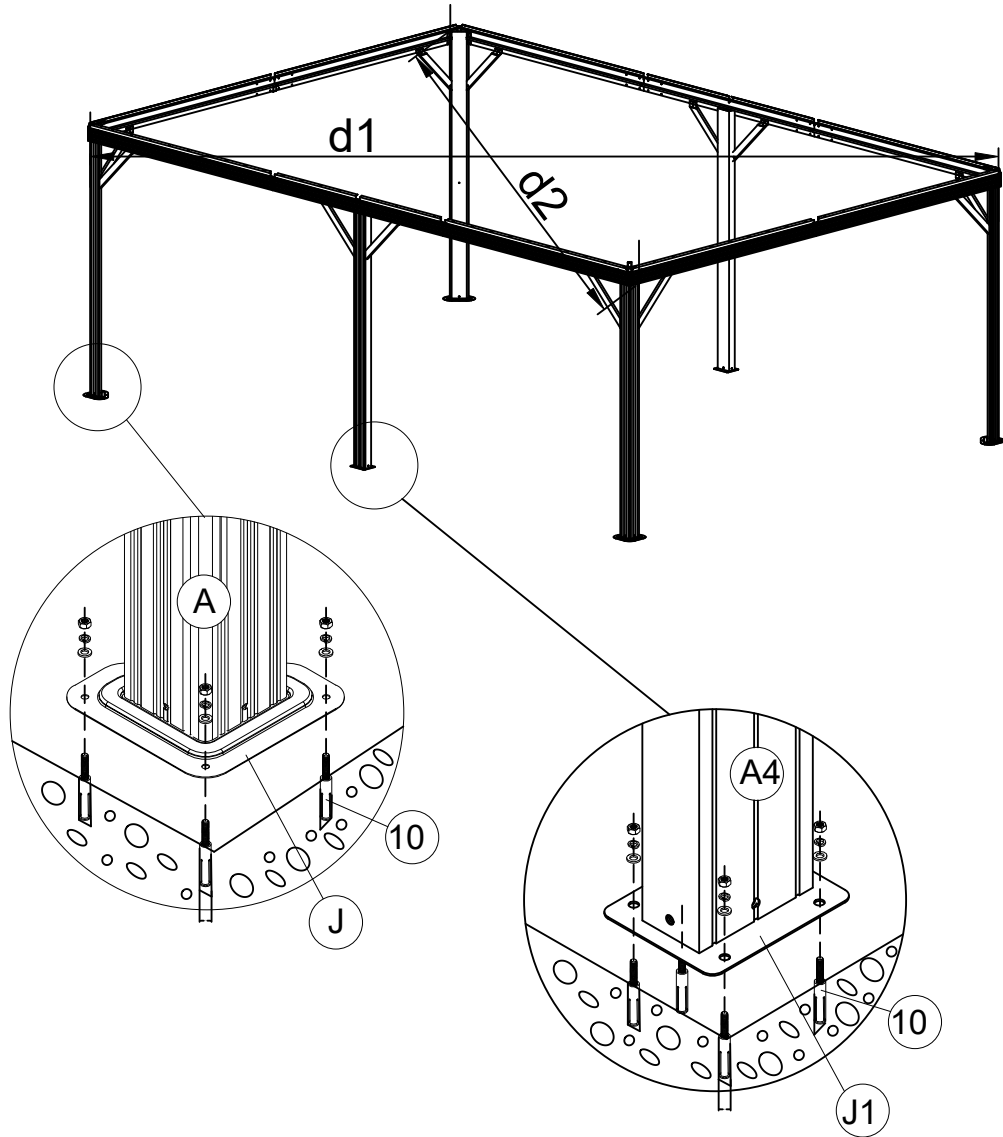


M6x15

1 16x

16

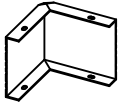
<7>



10 20x

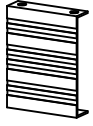
17

Tips: Please measure to make sure the length of d1 is equal to d2 before moving to next step to ensure a square frame and best results. Otherwise, please loosen the "H" or "H1" screws and adjust them. Keep the beam at right angles to the post, the post at right angles to the ground, and keep the beam horizontal.



(K)

4x



(K1)

6x



(U)

160x



(V)

6x



M6x15

(1)

18x

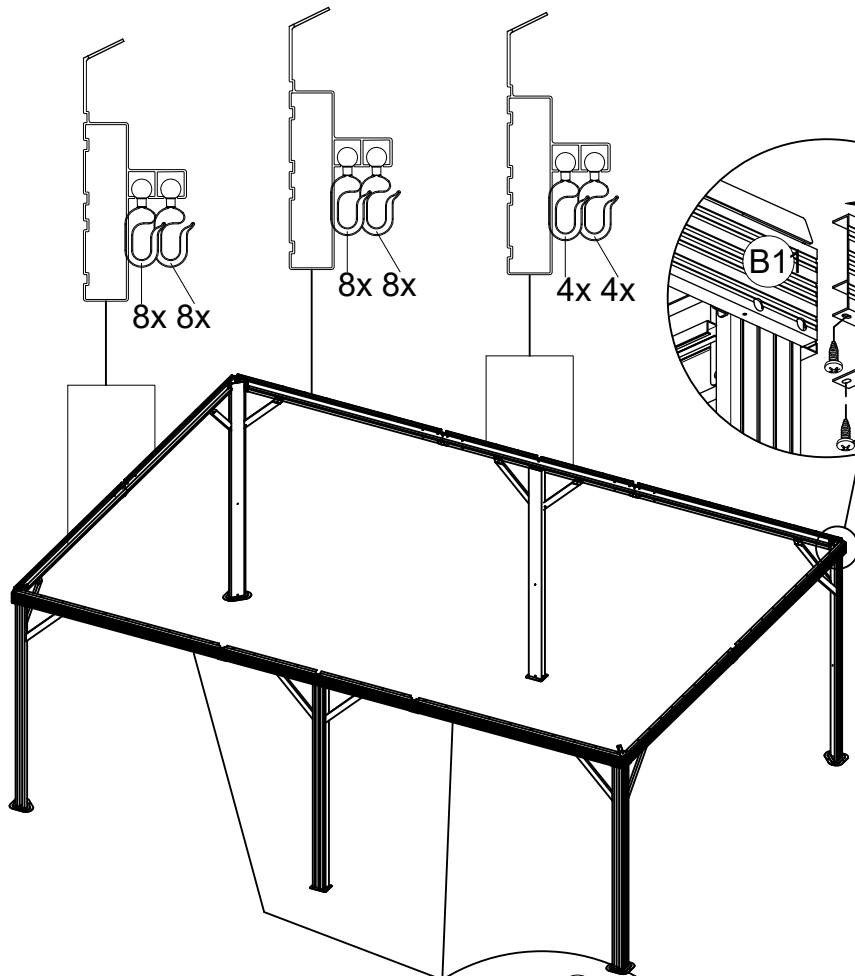


ST4.8x12

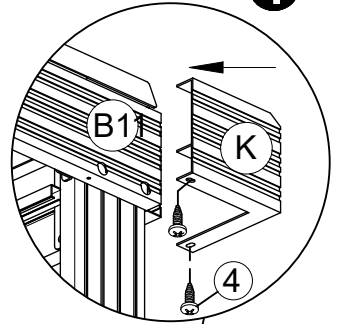
(4)

8x

<8>

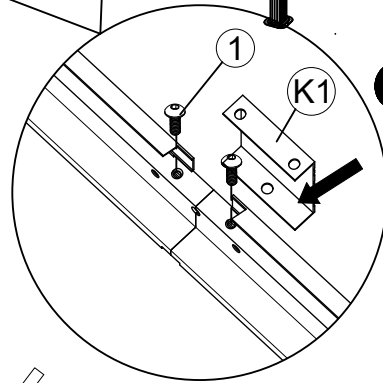


1



4

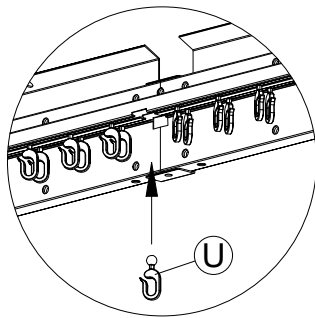
2



1

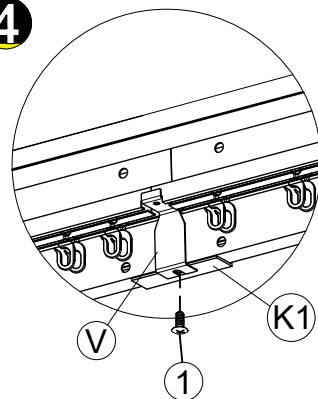
K1

3



U

4

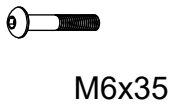
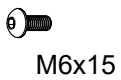
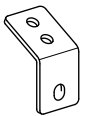
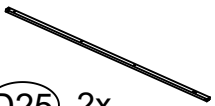
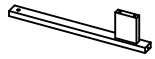
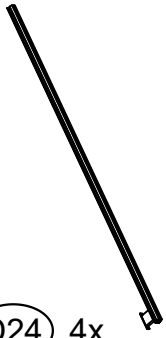


V

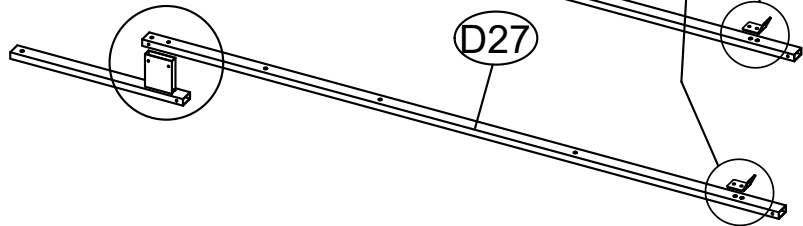
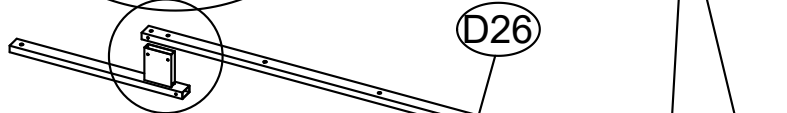
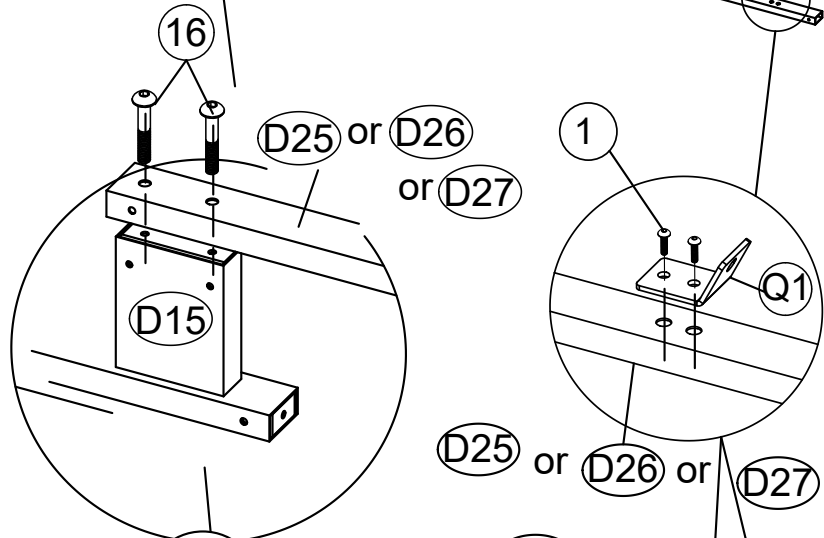
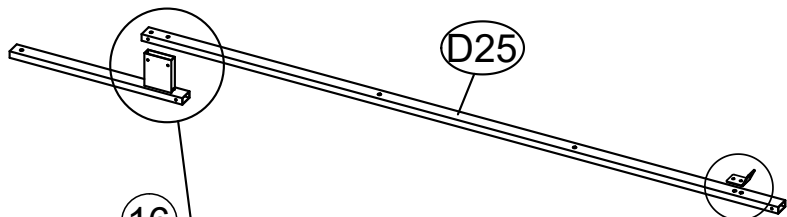
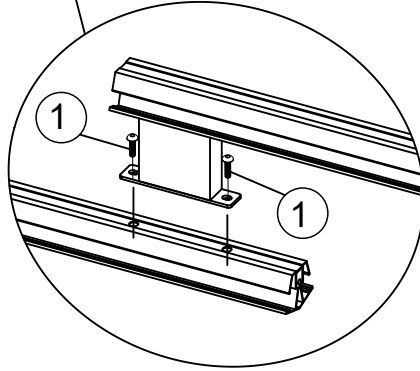
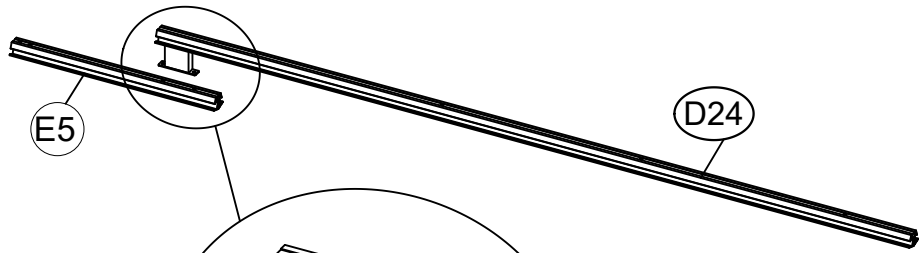
1

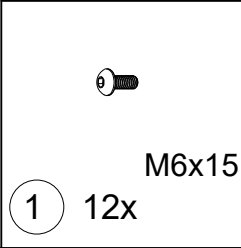
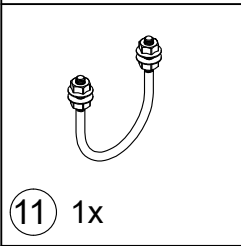
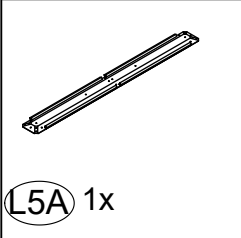
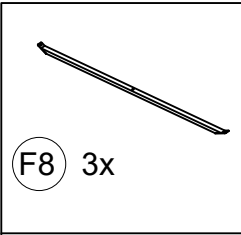
K1

<9>

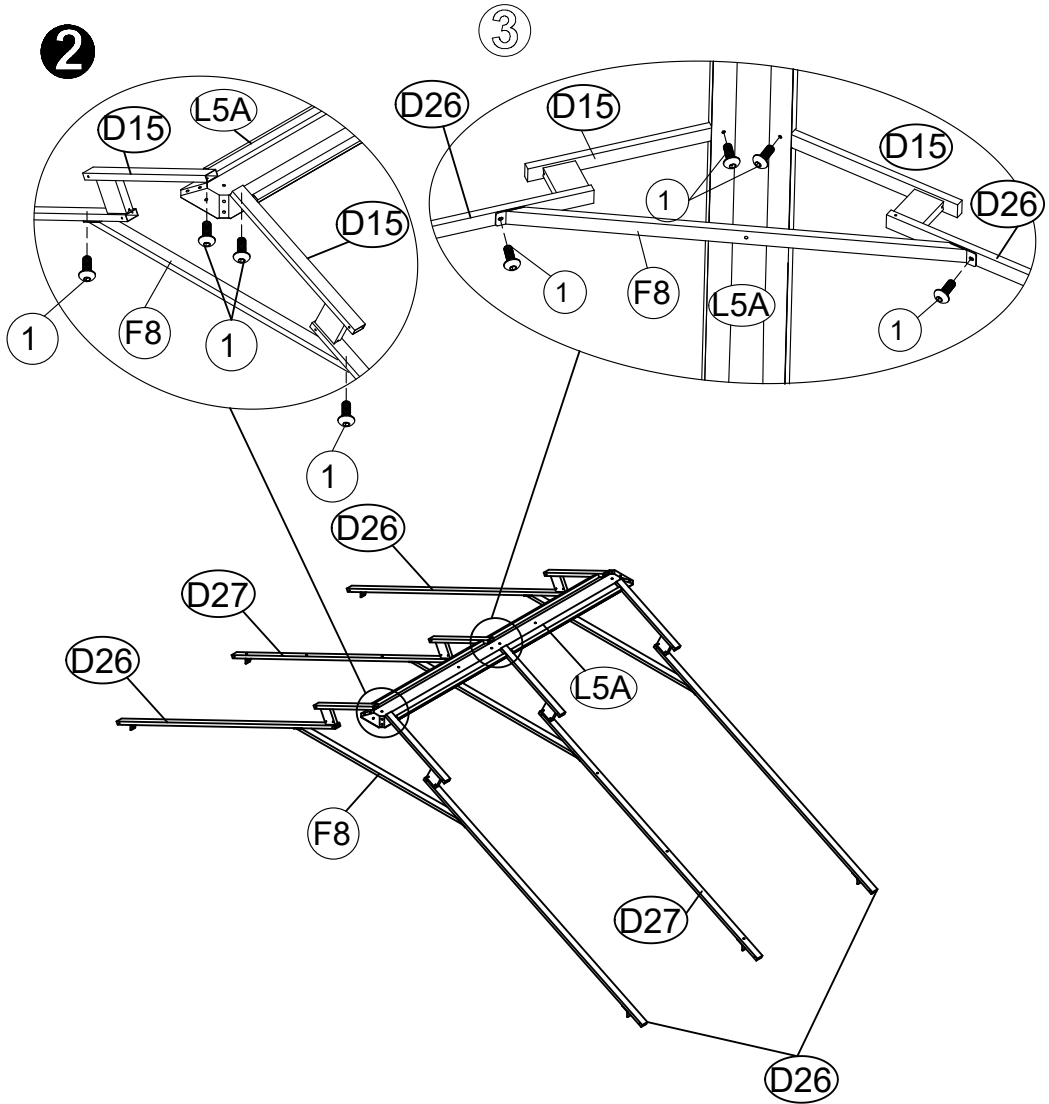
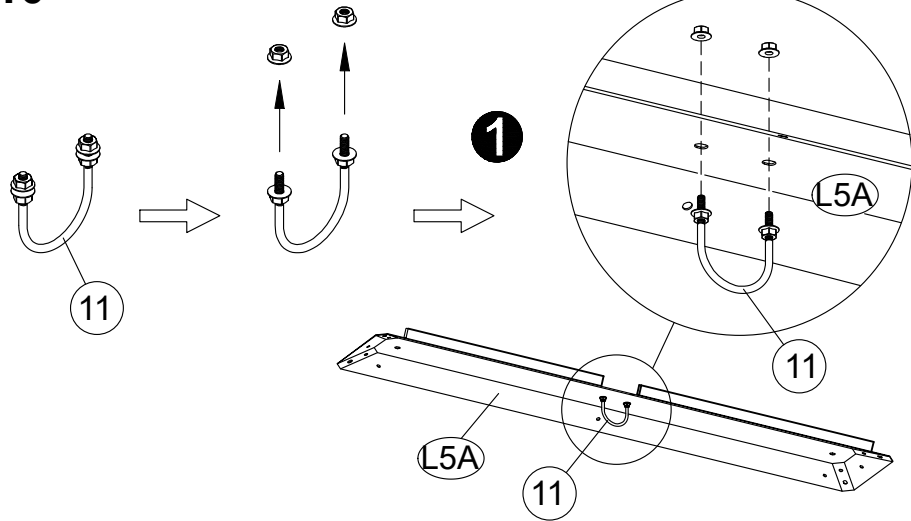


19





<10>



<11>

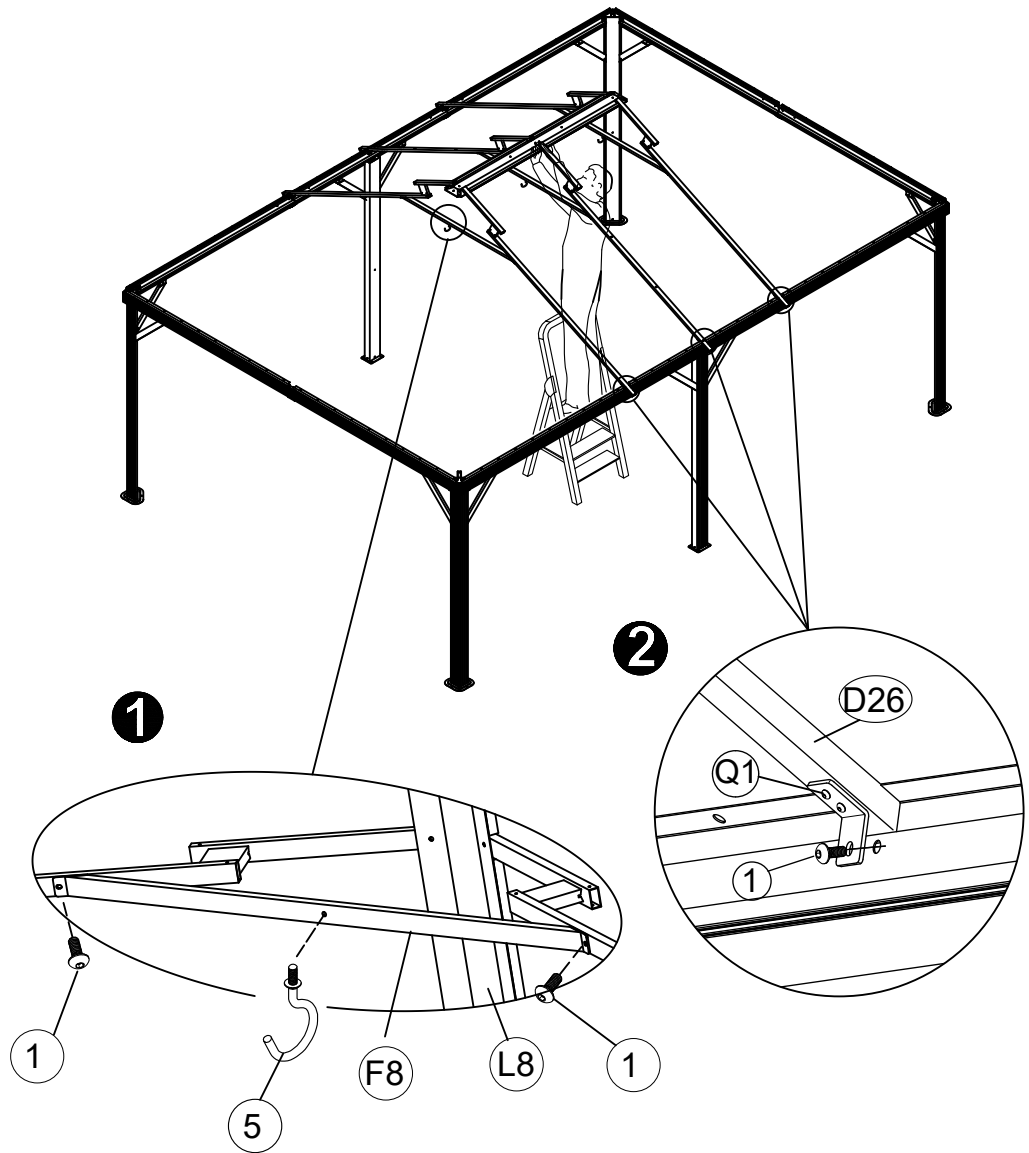


M6x15

① 6x



⑤ 3x



Note:

1. Let one person stand on the ladder to lift "L8" and hold and let others fasten the screws connecting both ends of "D26".

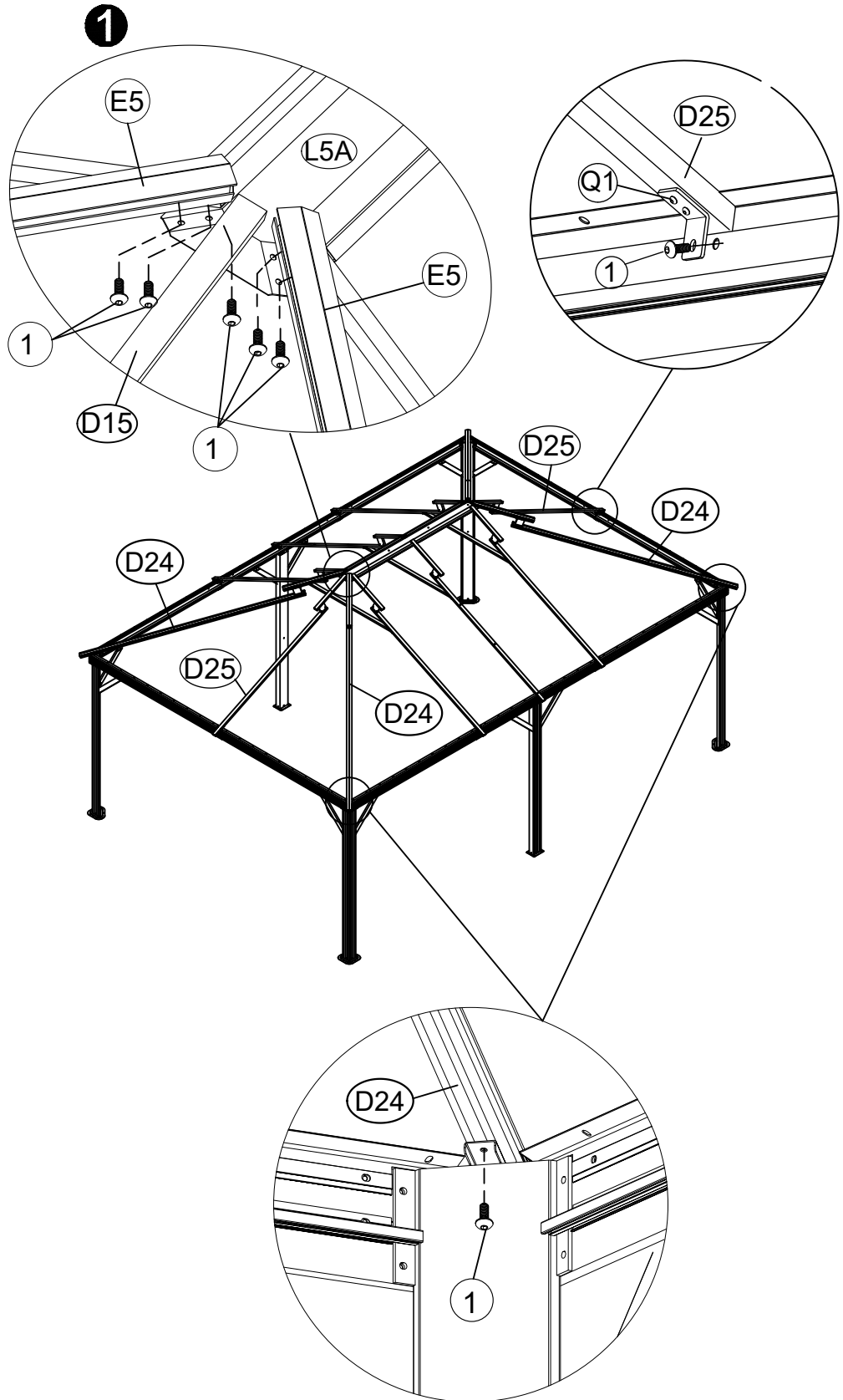
2. Please do not let go of holding "L8" until all the "D26" screws are installed.



M6x15

① 16x

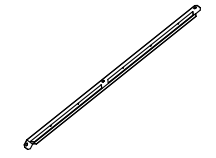
<12>



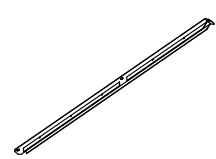
<13>



G1 2x



G7 2x



G8 2x



N 4x

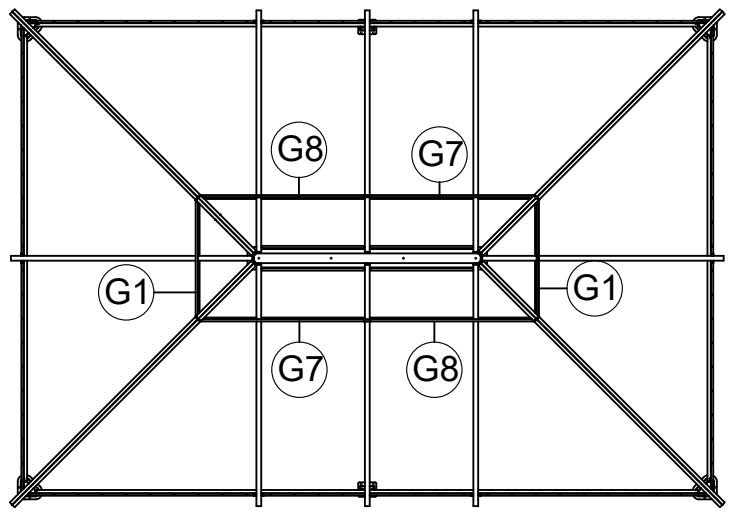
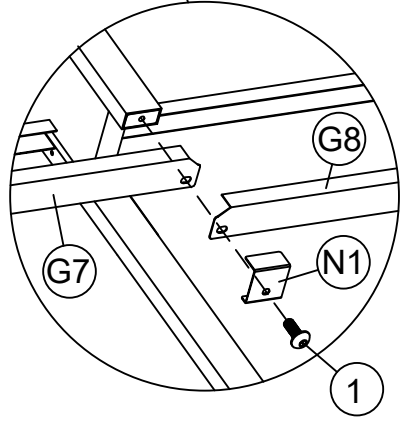
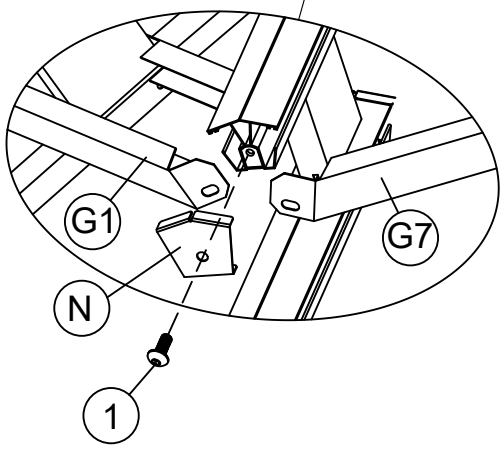
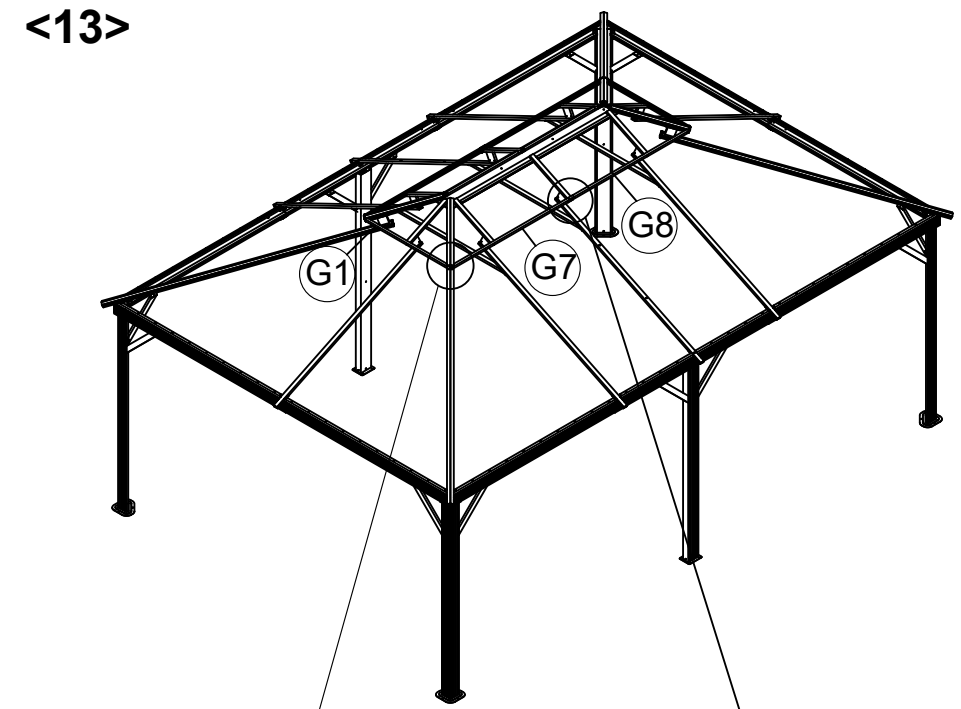


N1 2x





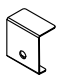



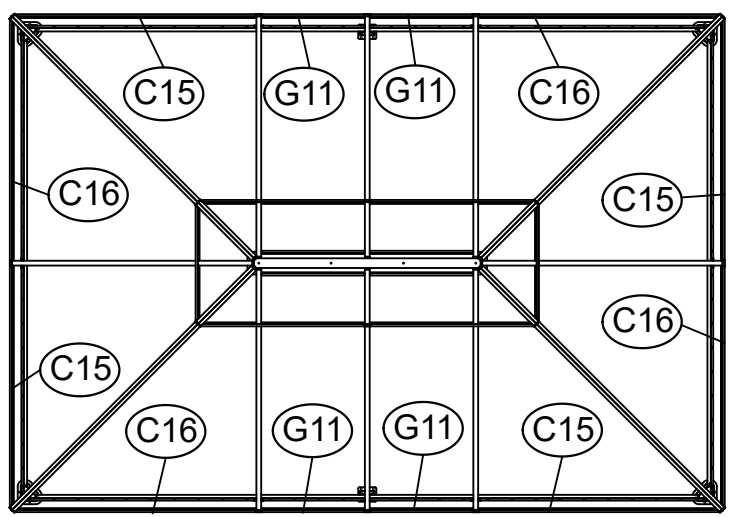
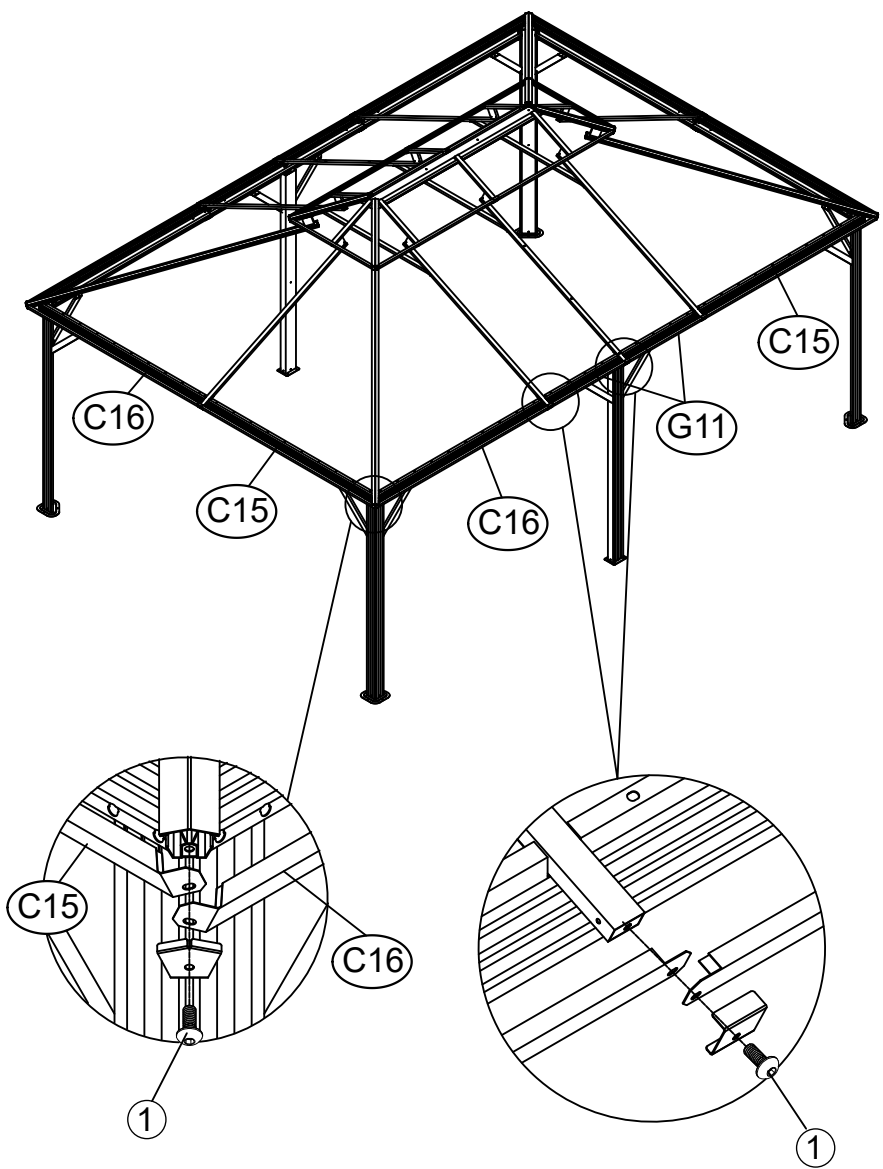
M6x15

1 12x

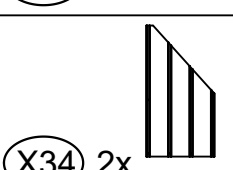
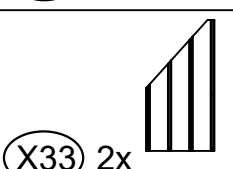
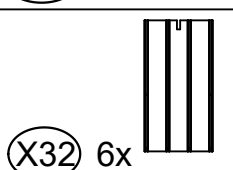
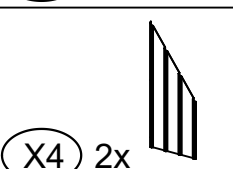
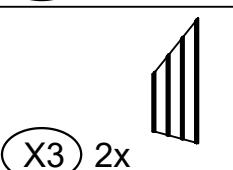
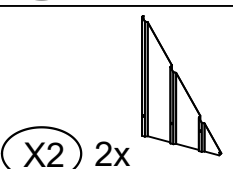
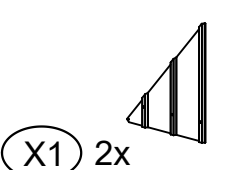
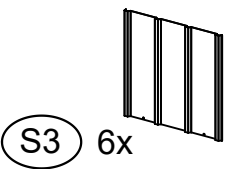
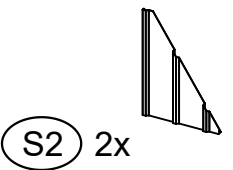
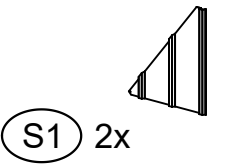


<14>

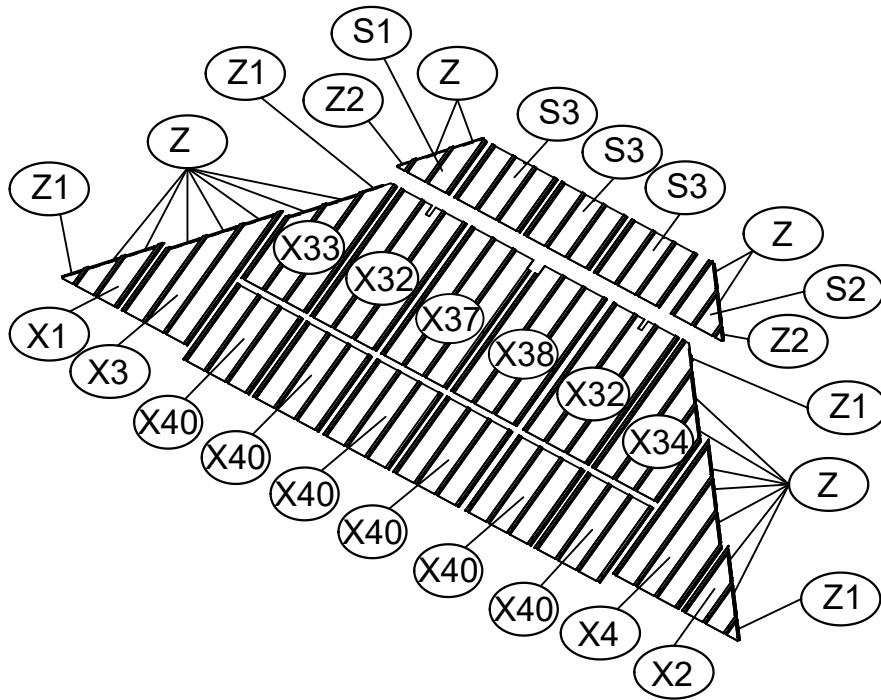
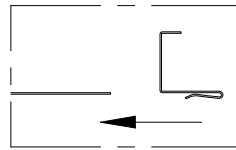
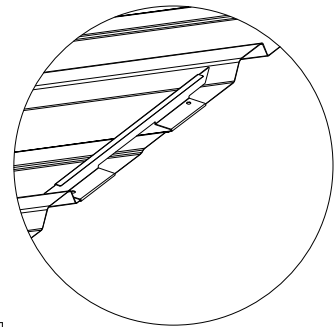
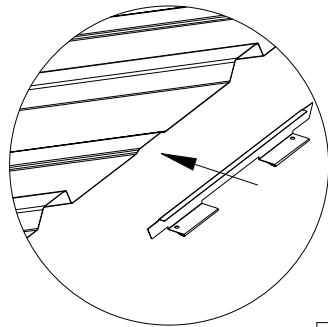
- 
C15 4x
- 
C16 4x
- 
G11 4x
- 
N 4x
- 
N1 8x
- 
1 12x M6x15



<15>

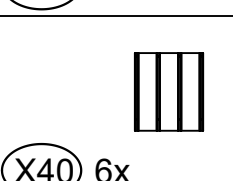
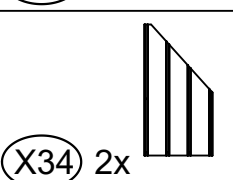
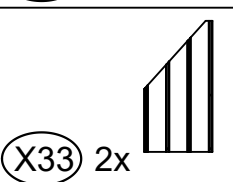
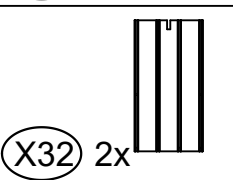
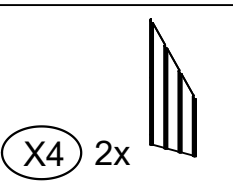
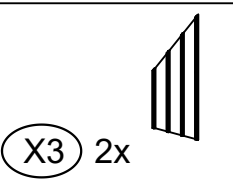
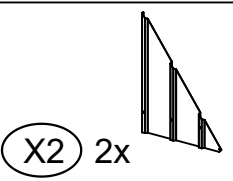
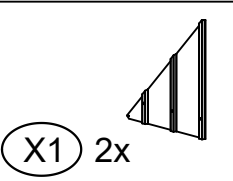
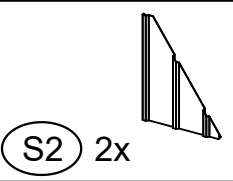
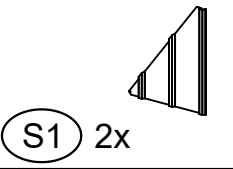


25

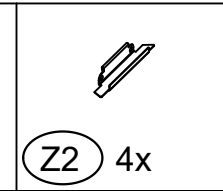
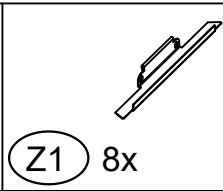
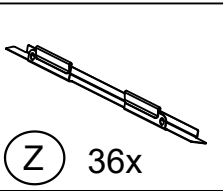
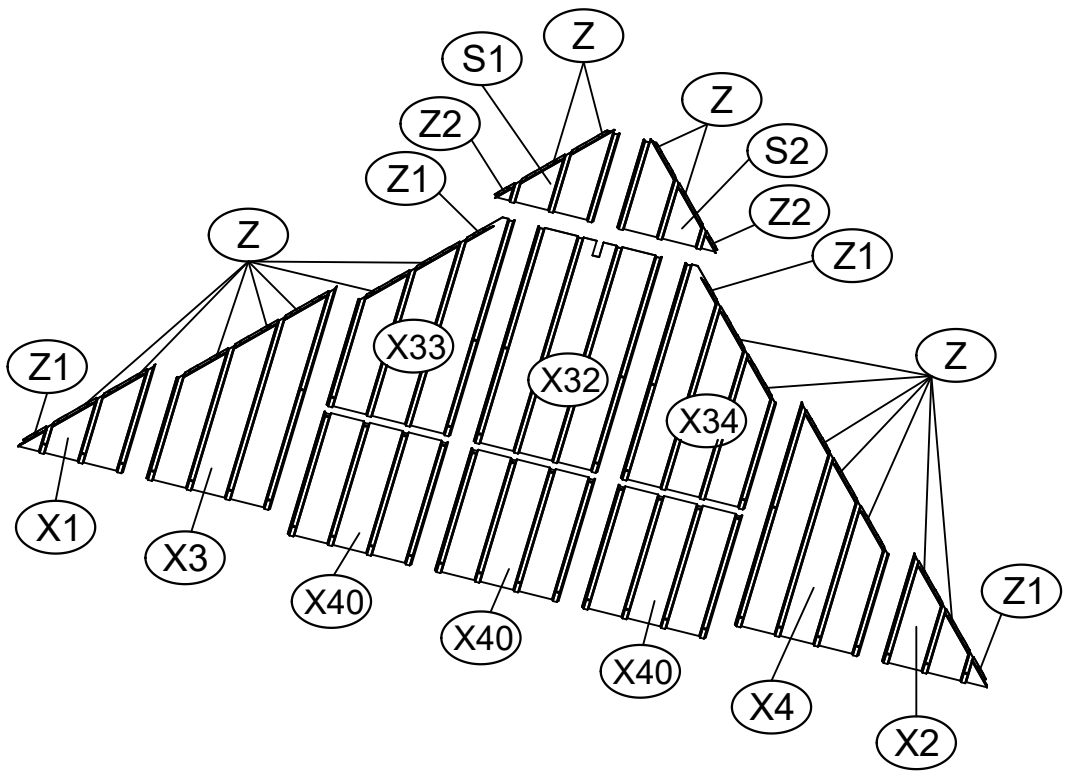
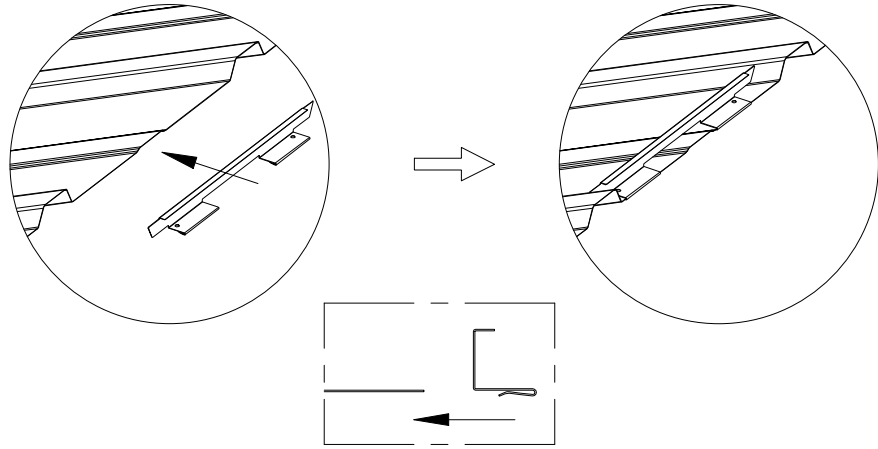


 X37 2x	 X38 2x	 X40 12x
 Z 36x	 Z1 8x	 Z2 4x

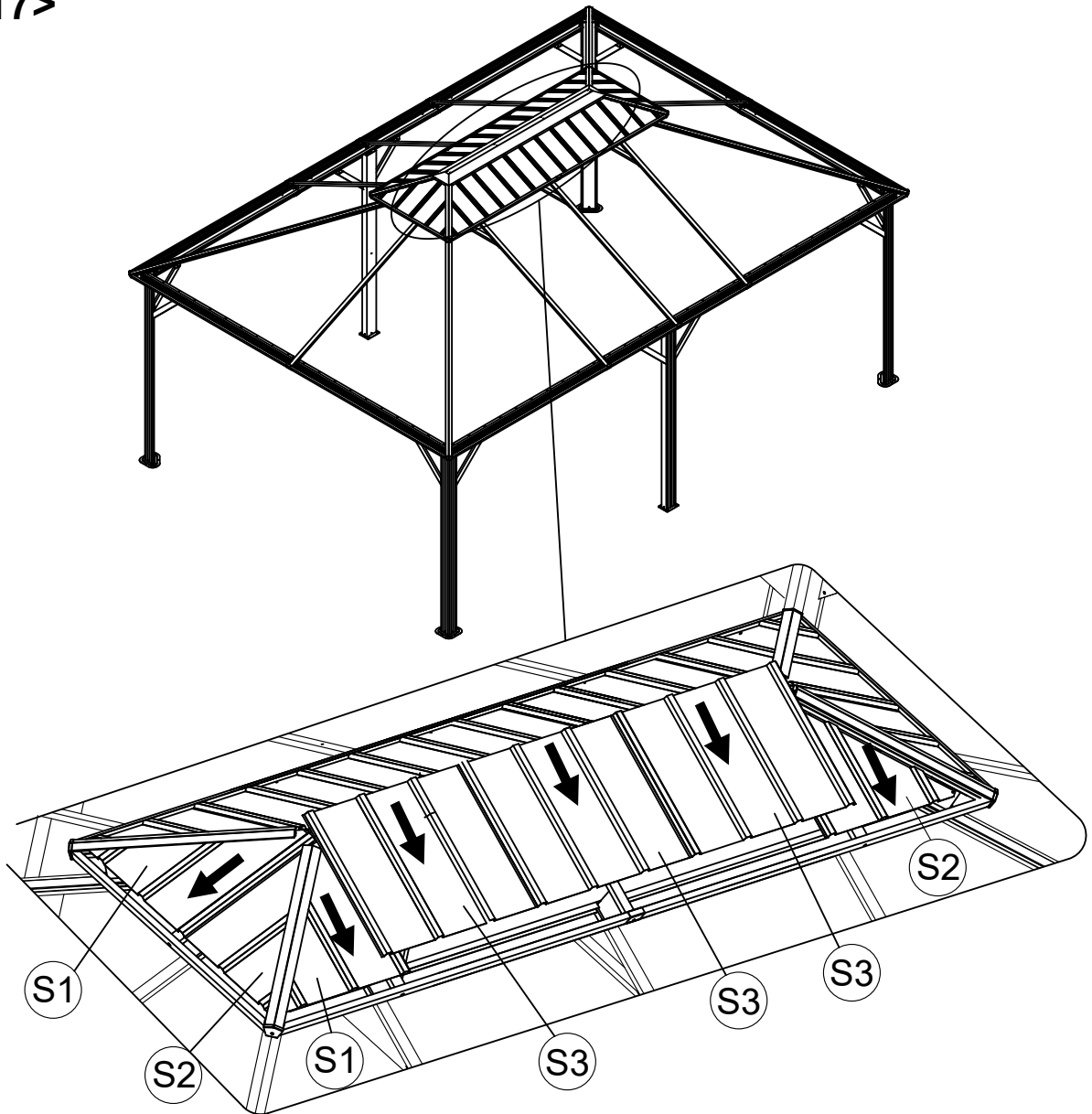
<16>



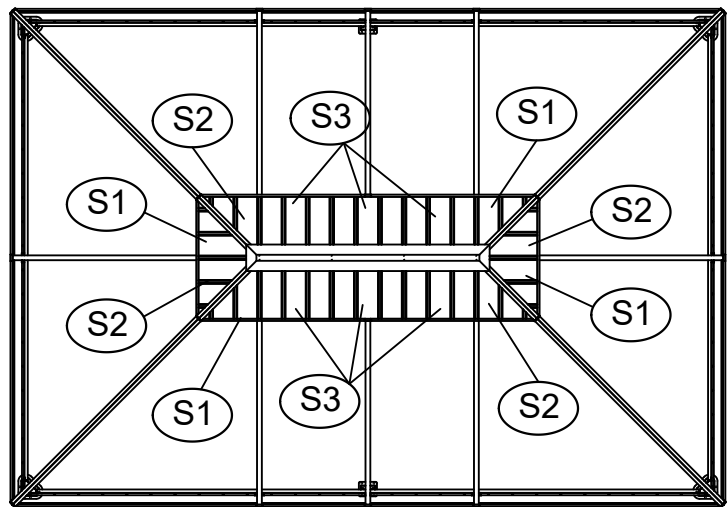
26



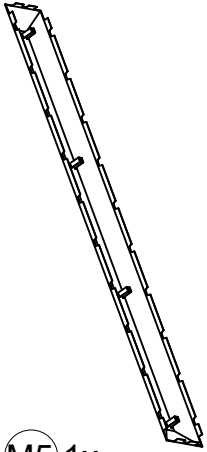
<17>



When installing the Roof plates (S2) onto short side, pls detach the right end of Roof Rib(G1) first. And then install the right end of Roof Rib (G1) again after S2 is installed.



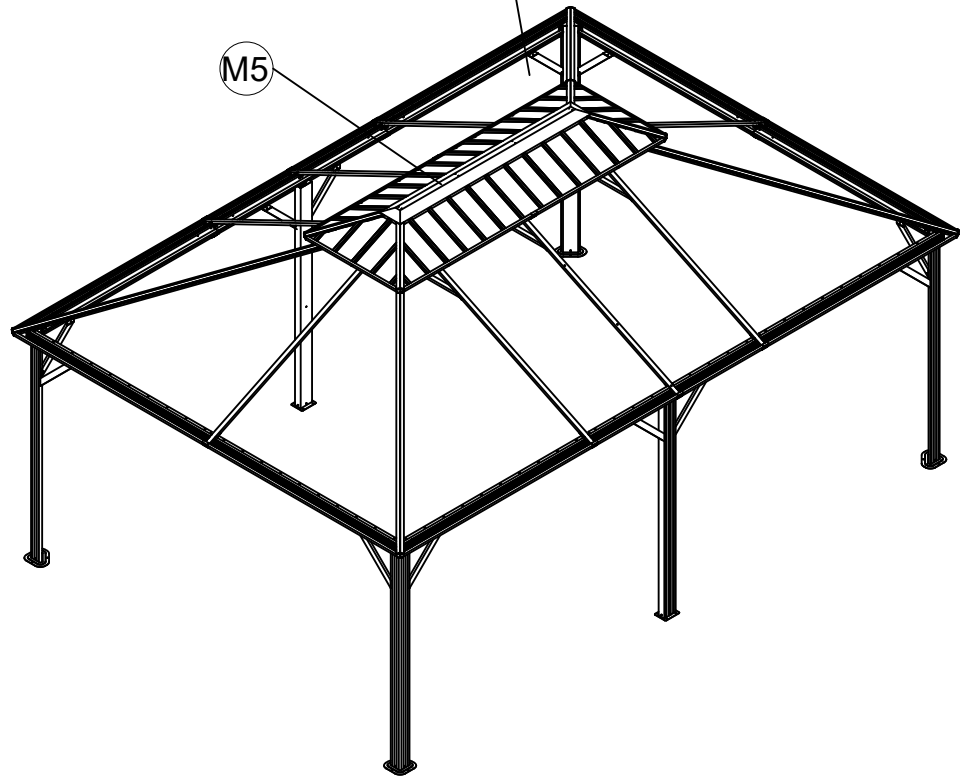
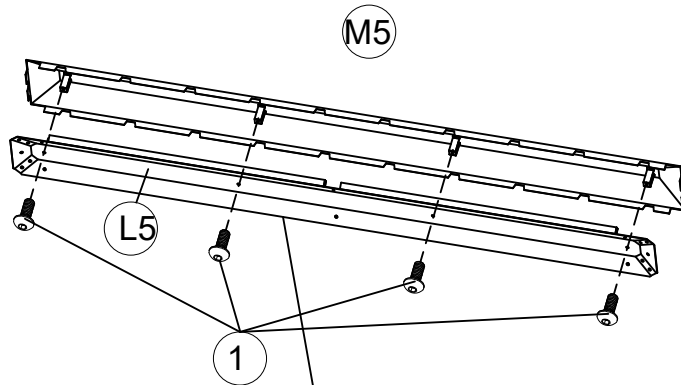
<18>




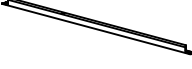

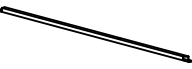



M5 1x

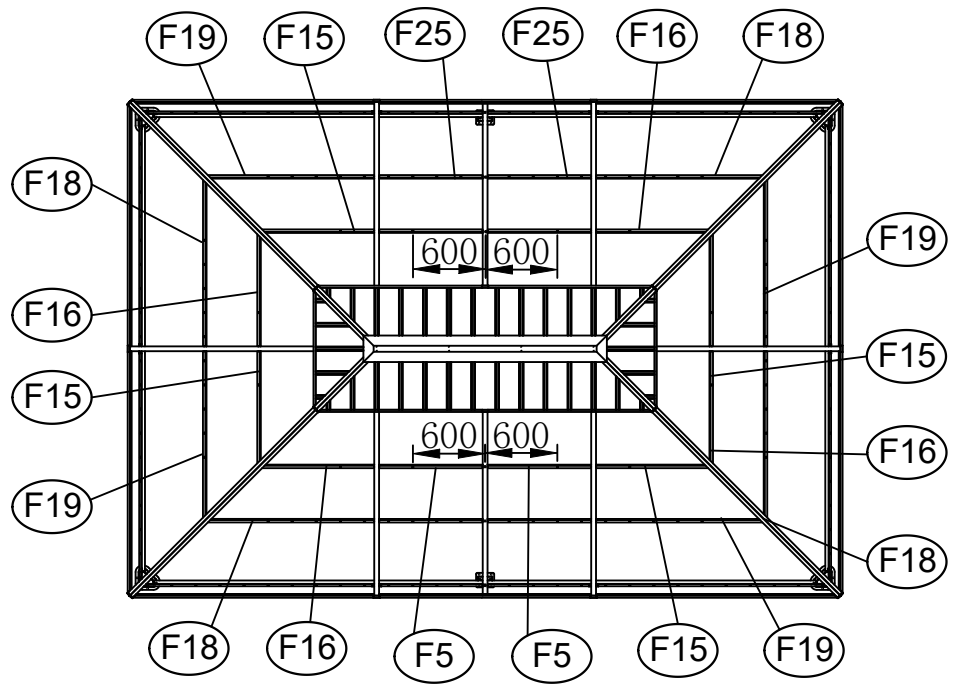
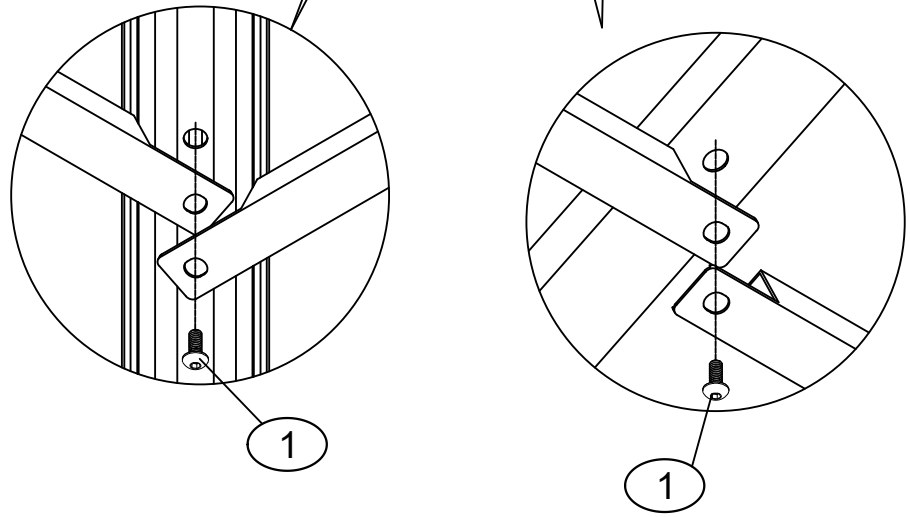
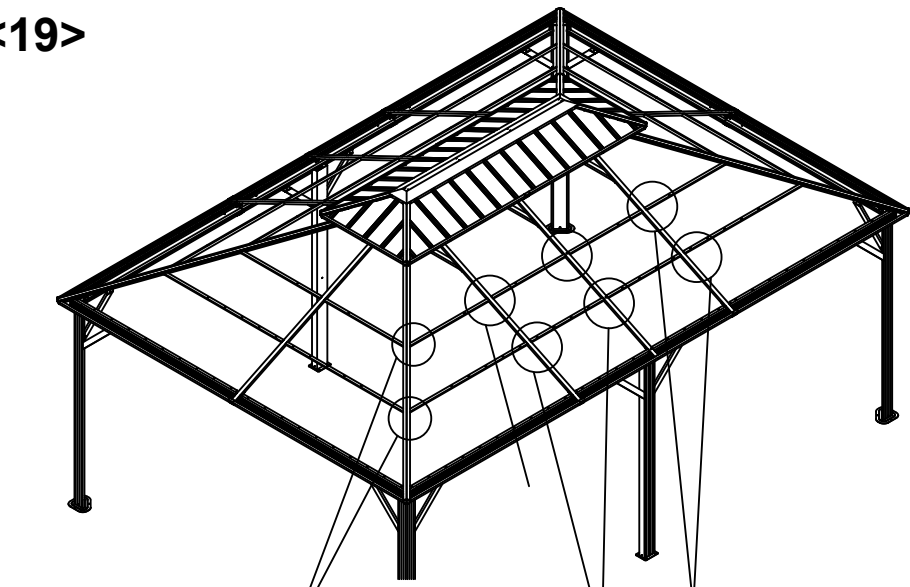


M6x15
1 4x

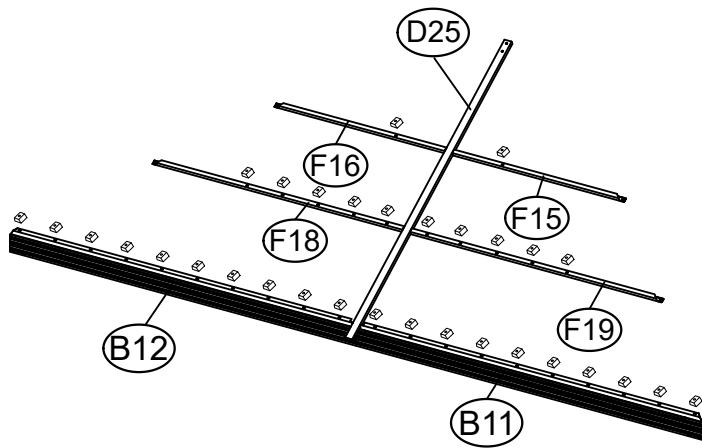
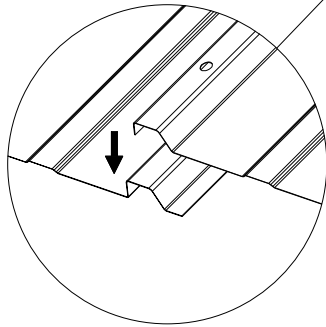
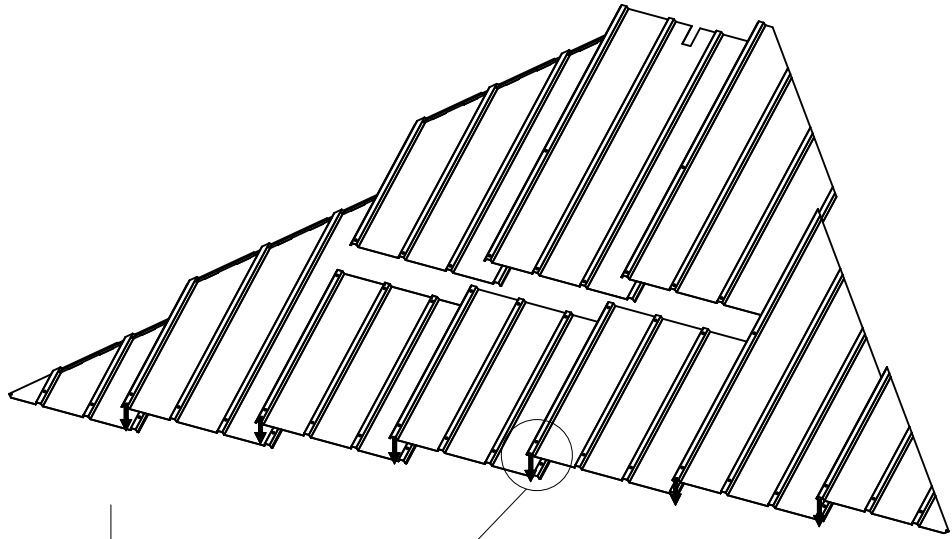


<19>

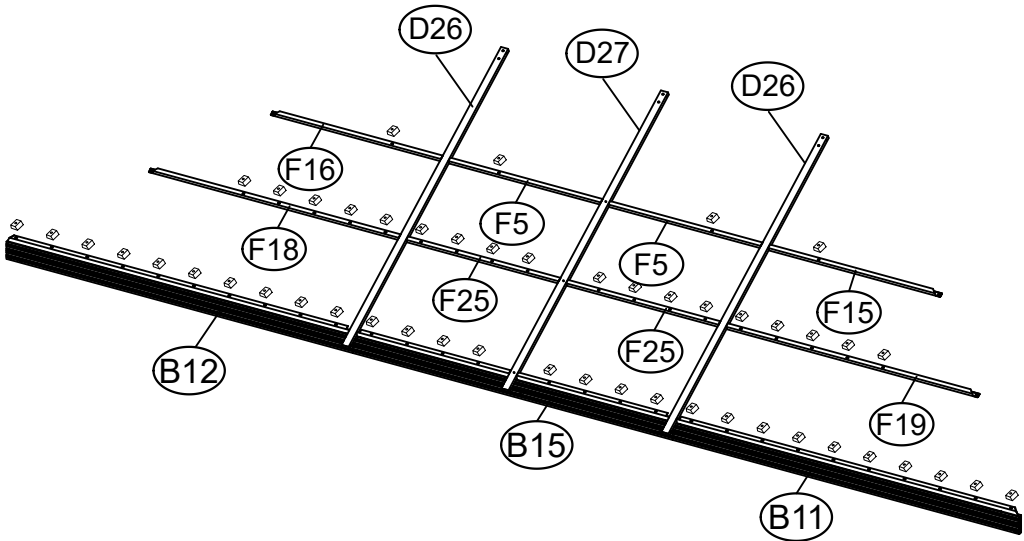
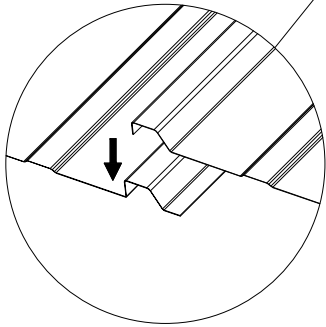
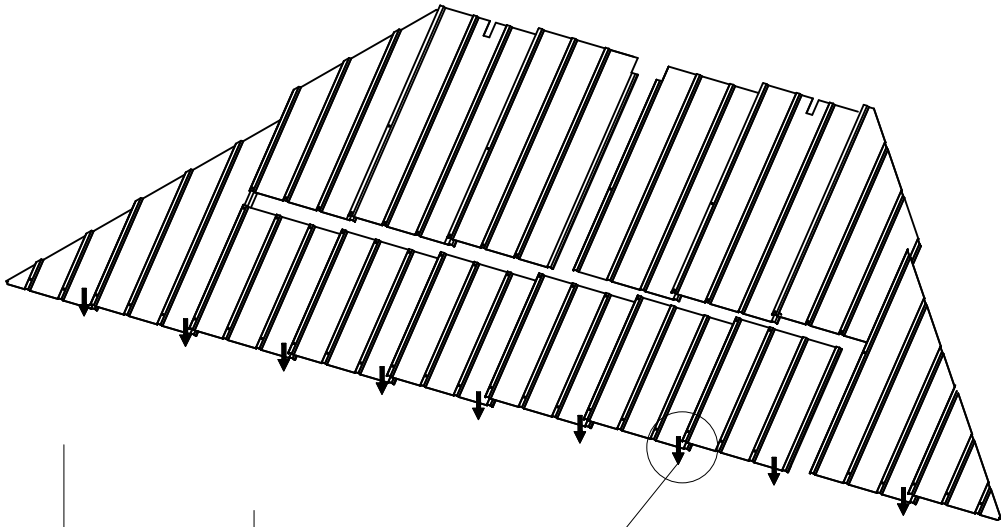
-  (F5) 4x
-  (F15) 4x
-  (F16) 4x
-  (F18) 4x
-  (F19) 4x
-  (F25) 4x
-  (1) 24x M6x15



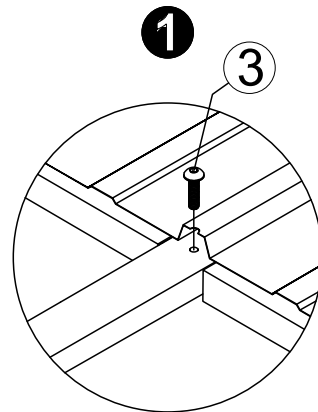
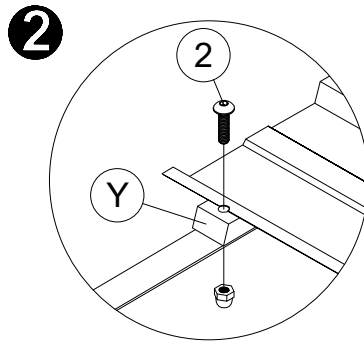
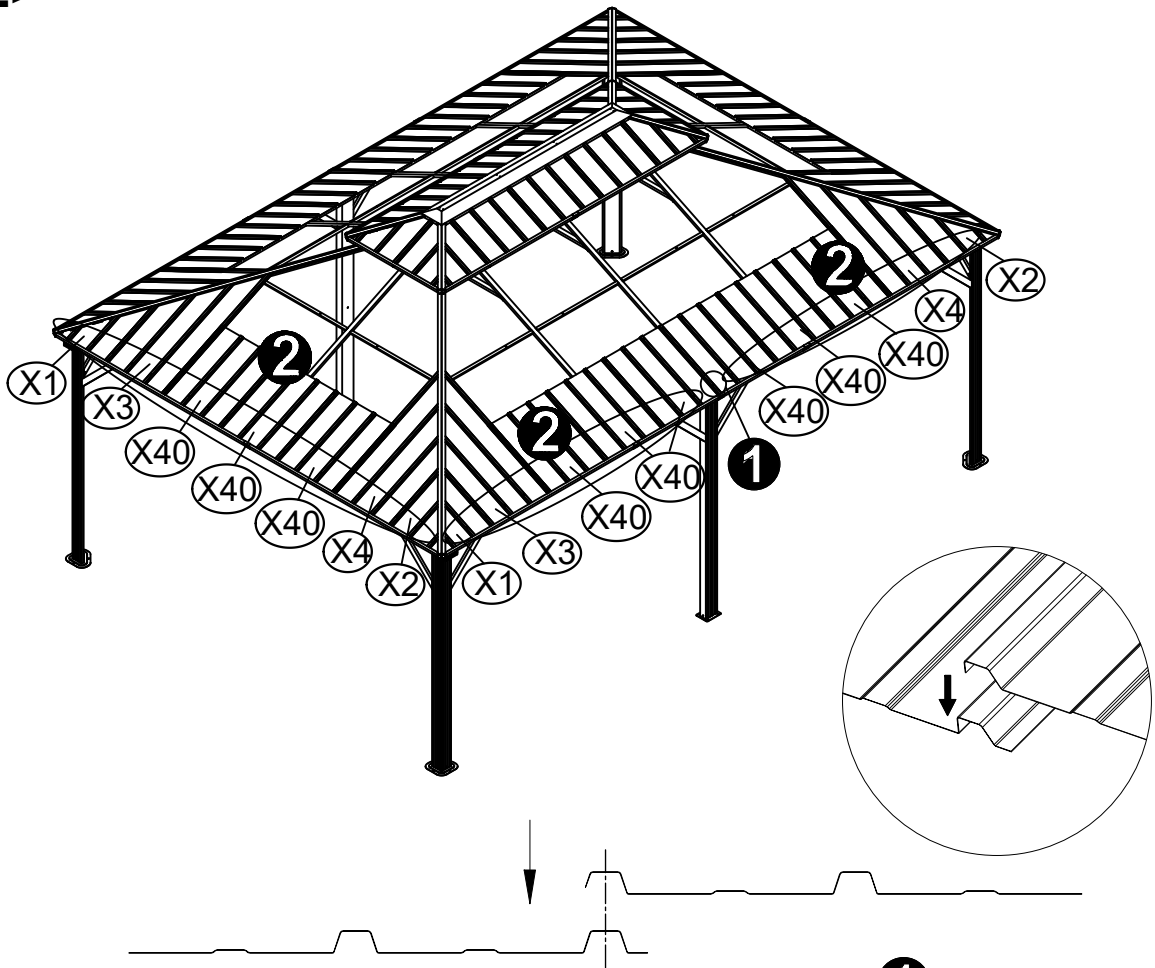
<20>



<21>



<22>



Y 96x



M6x25

3 2x



M6x23

2 96x

32

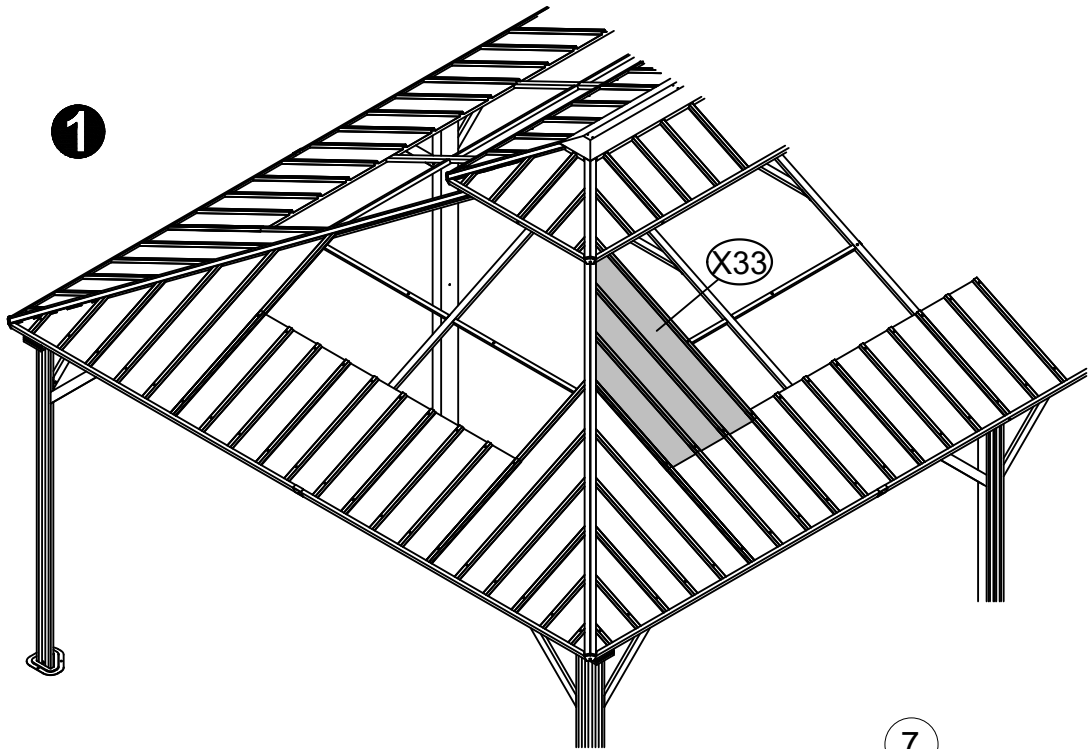
Note:

First, arrange the cover plates in sequence according to the codes shown in the diagram. Then, assemble the iron plates with the crossbeam using #2 screws and plastic block #Y (refer to steps 22 and 23).

When installing the roof top plates, if the roof plates are slightly uneven, pls press the screws from the top of the plates until the bottom screw thread is exposed by 3 to 4mm, and then screw on the nut.

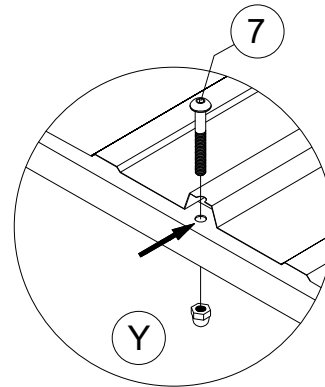
<23>

1

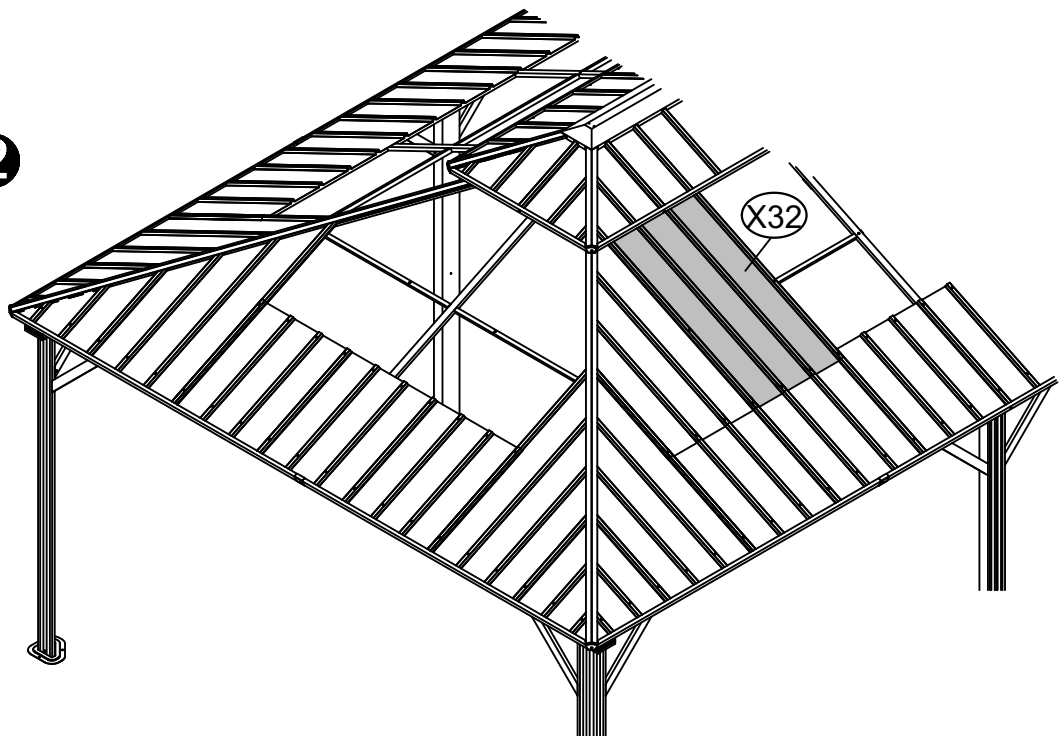


As shown in Figure 1, place the cover plate #X33 at the indicated position, and then assemble #X33 with the small beam F18 using three #7 screws and plastic block #Y.

Next, as shown in Figure 2, place the cover plate #X32 at the indicated position, and then assemble #X32 with the small beam using three #7 screws and plastic block #Y (refer to step 23).



2



Y 7x

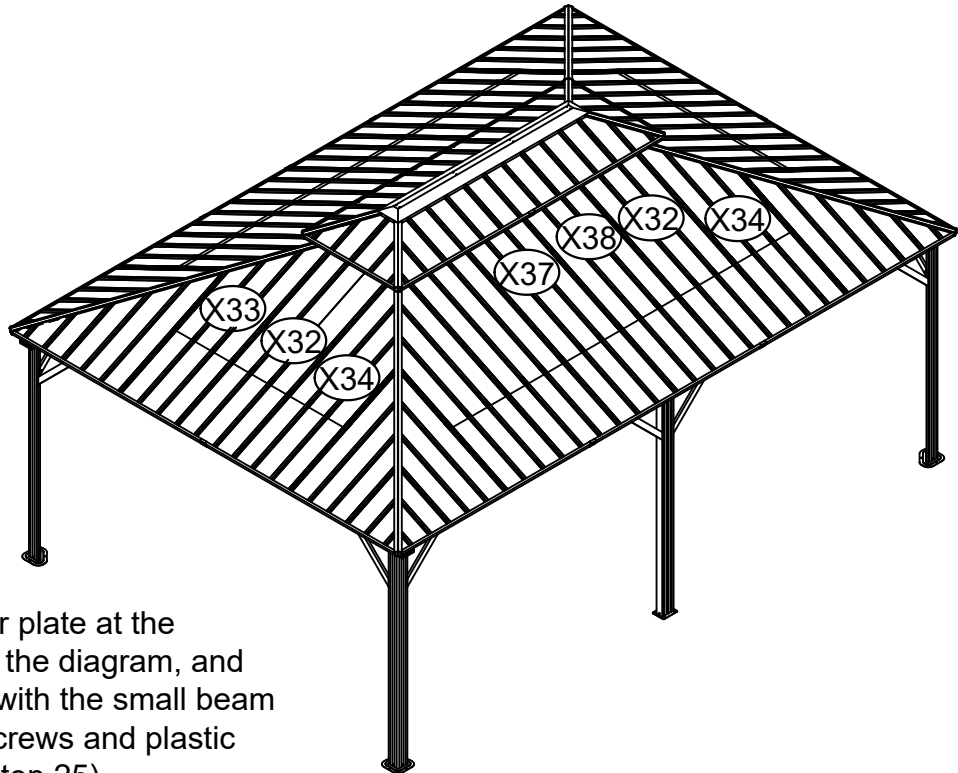


M6x47

7 7x

33

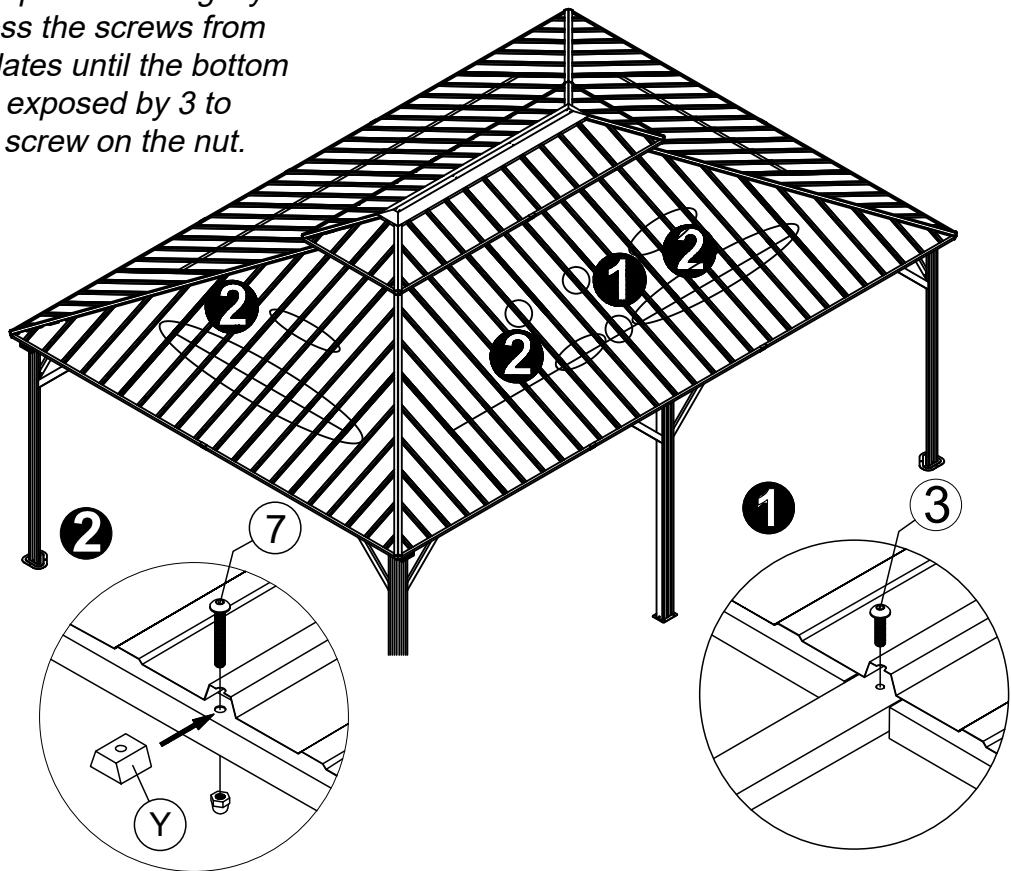
<24>



Note:

Place the cover plate at the position shown in the diagram, and then assemble it with the small beam using 73pcs #7 screws and plastic block Y (refer to step 25).

When installing the roof top plates, if the roof plates are slightly uneven, pls press the screws from the top of the plates until the bottom screw thread is exposed by 3 to 4mm, and then screw on the nut.



Y 61x



M6x25

3 4x



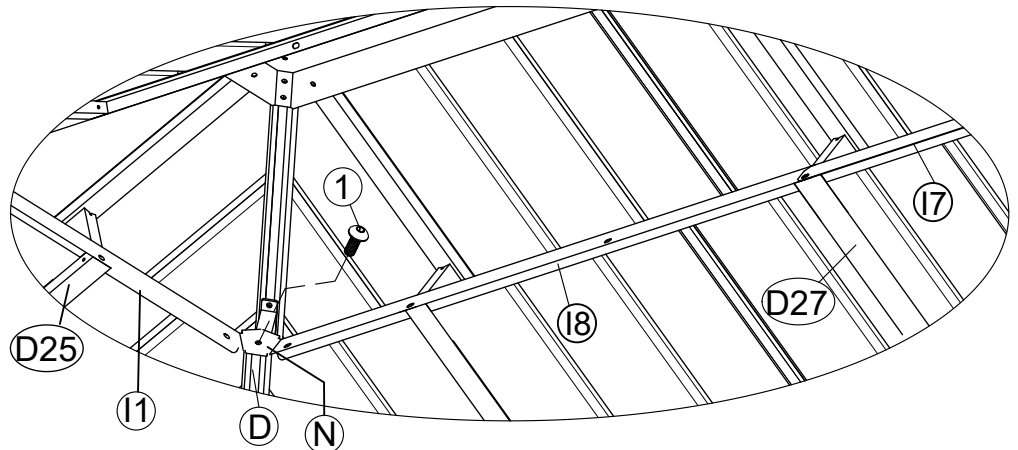
M6x47

7 61x

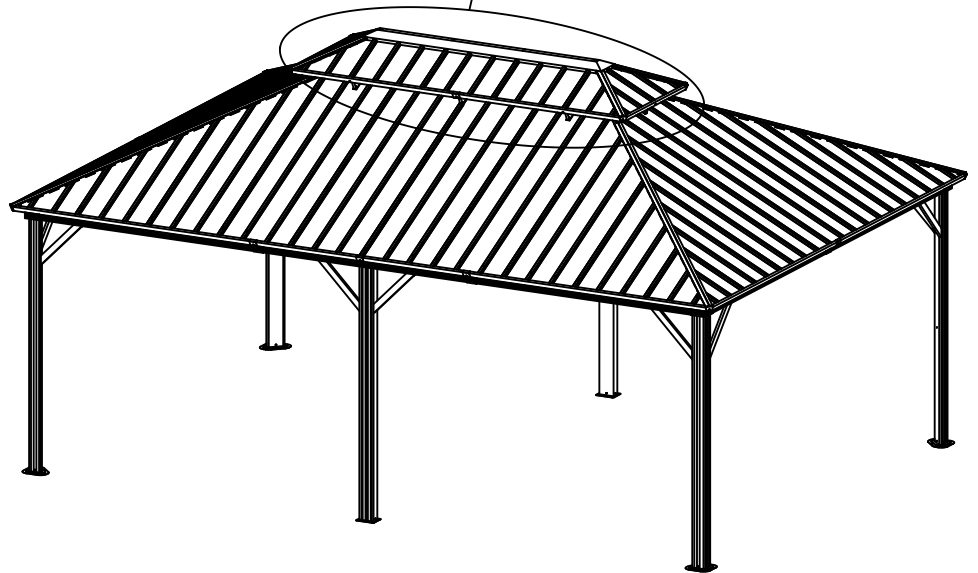
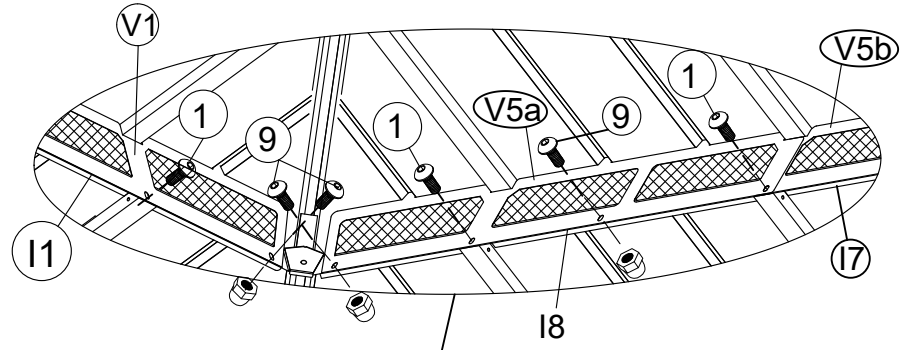
34

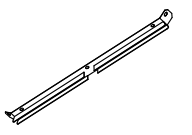
<25>

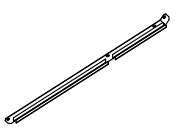
1

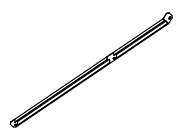


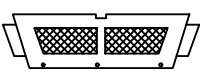
2

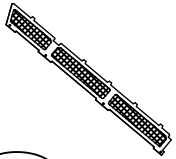


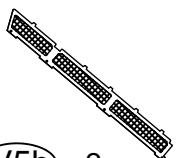
- 


I1 2x
- 


I17 2x
- 


I18 2x
- 

V1 2x
- 

V5a 2x
- 

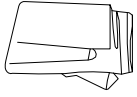
V5b 2x
- 

N 4x
- 

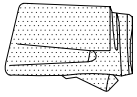
1 12x M6x15
- 35
- 

9 12x M6x10

<26>



T 4x + 2x



T1 4x + 2x

