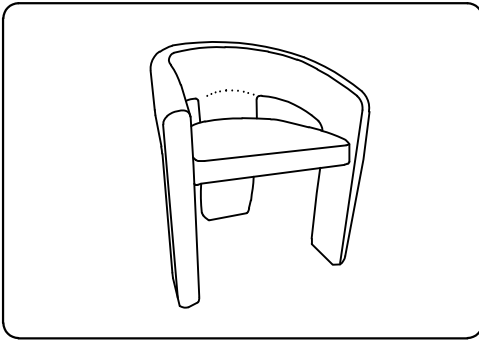


ASSEMBLY INSTRUCTION



+ Do Not Use Power Tools



+ Suggested Adults



NOTE:

- 1 Read instructions cover to cover.
- 2 Save all packaging until assembly is completed.

1 IMPORTANT SAFETY INFORMATION

Do not assemble the product if any of the following parts arrived damaged:

Part # ① - Chair Base 1PC
Part # ② - Chair Cushion 1PC

Do not assemble if any of the following Hardware parts are missing:

Part # **A** - Bolt (M6×35) 4PCS
Part # **B** - Flat Washer (Ø16×Ø6) 4PCS
Part # **C** - Allen Wrench 1PCS

2 IMPORTANT ASSEMBLY INFORMATION

Assembly Step If loosening persists, please make sure to tighten all the bolts periodically, or use a thread locker adhesive.

+ Parts Included

- ① Chair Base 1PC



- ② Chair Cushion 1PC



+ Hardware Included

- A** Bolt (M6×35) 4 PCS **B** Flat Washer (Ø16×Ø6) 4 PCS



- C** Allen Wrench (4mm) 1 PCS



ASSEMBLY INSTRUCTION

- 1 Attach the Chair Cushion ② to Chair Base ① as shown.

Adjust for wobble

