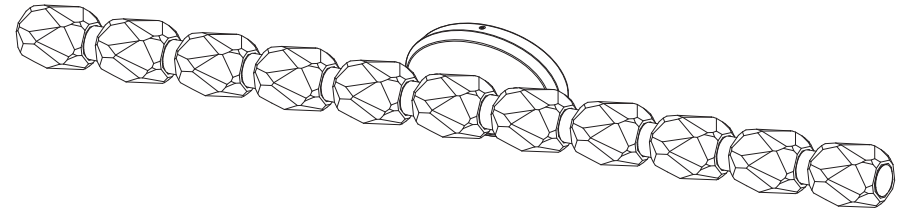


FOREVER
SCHONBEK

**SEDUCTION
SJW4411**



THIS DESIGN IS THE PROPRIETARY
TRADE DRESS/TRADEMARK OF
W SCHONBEK LLC.

FOREVER
SCHONBEK

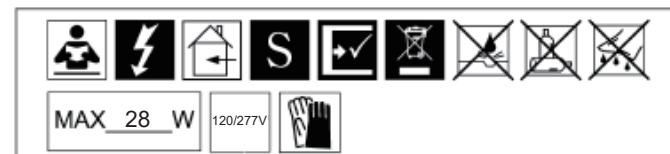
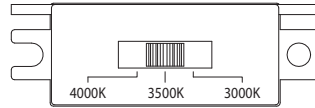


Fig. 2 Wiring

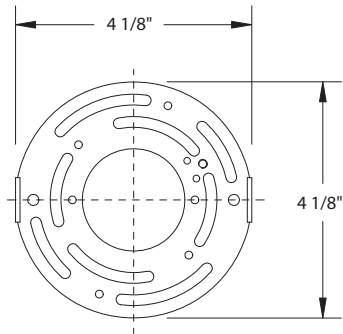


| Fixture Wires | House Wires |
|--------------------|-------------------------------|
| Black or Smooth | Black (Live) |
| White or Ribbed | White (Neutral) |
| Bare wire (Ground) | Green or Bare Copper (Ground) |

Fig. 3 Switch



WALL PLATE



SJW4411
WALL PLATE

HARDWARE

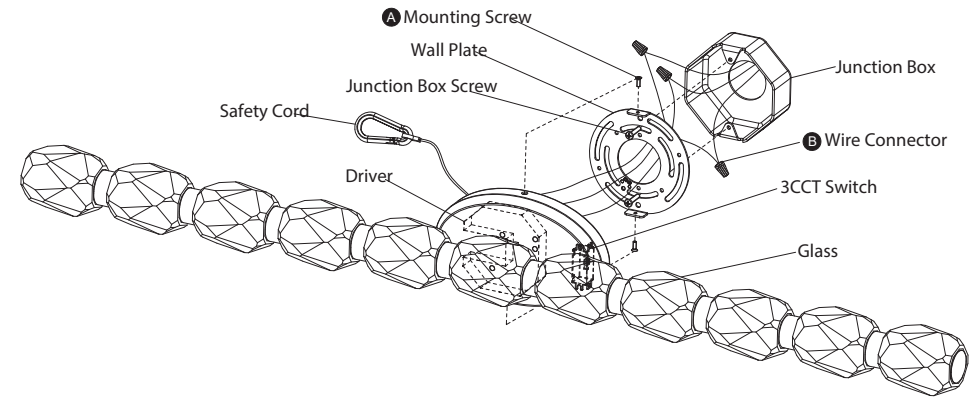


Mounting Screw
Qty: 1 Extra



Wire Connector
Qty: 3pcs +1 Extra

Fig. 1



PREPARATION

1. Shut off the power at the circuit breaker and remove existing fixture, including the crossbar.
2. Carefully unpack your new fixture and lay out all the parts in a clear area. Be careful not to lose any small parts necessary for installation.
3. Use gloves when handling trim, crystals, and glass components during installation.

MOUNTING THE FIXTURE (Fig. 1, Fig. 3)

4. Remove mounting screw (A) from wall plate.
5. Set color temperature at this stage. The fixture can switch between three color temperatures (3000k, 3500k, 4000k), which can be adjusted to your preference using the 3CCT switch (Fig. 3) mounted in the wall plate.
6. Secure wall plate to junction box using original junction box screws.
 - (i) It is recommended to use only original junction box screws or replacements provided by junction box manufacturer.
 - (ii) The side of the wall plate marked "GND" must face out, towards the installer.

CONNECTING THE WIRES (Fig. 1, Fig. 2)

7. Attach the fixture to the wall plate using a safety cable as shown (Fig. 1). This secures the fixture and aids in wiring.
8. Connect the driver's input wires to the junction box wires (Fig. 2), using wire connectors (B) provided. Ensure all wire connectors are secure. Connect the fixture's ground wire to the ground in the junction box; this will be either a green wire or a bare copper wire. After fixture is wired to house wires, tuck wires carefully inside the junction box.

COMPLETING THE INSTALLATION (Fig. 1)

9. Secure the fixture to wall plate using mounting screw (A).

