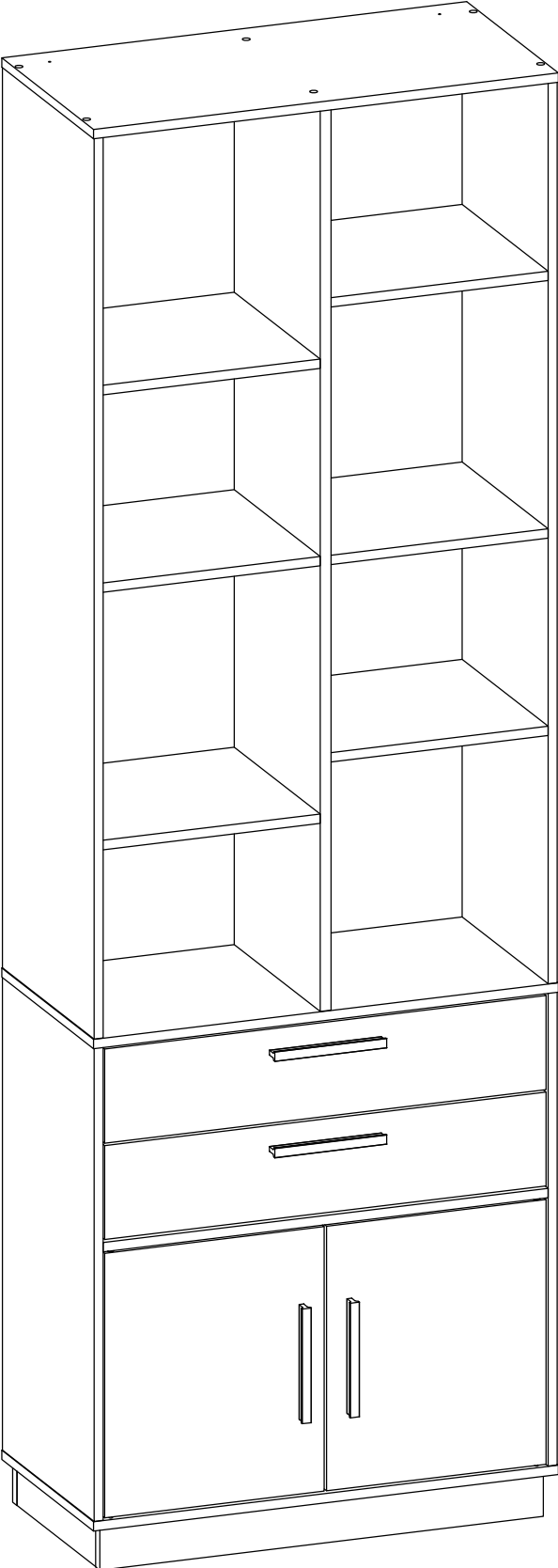
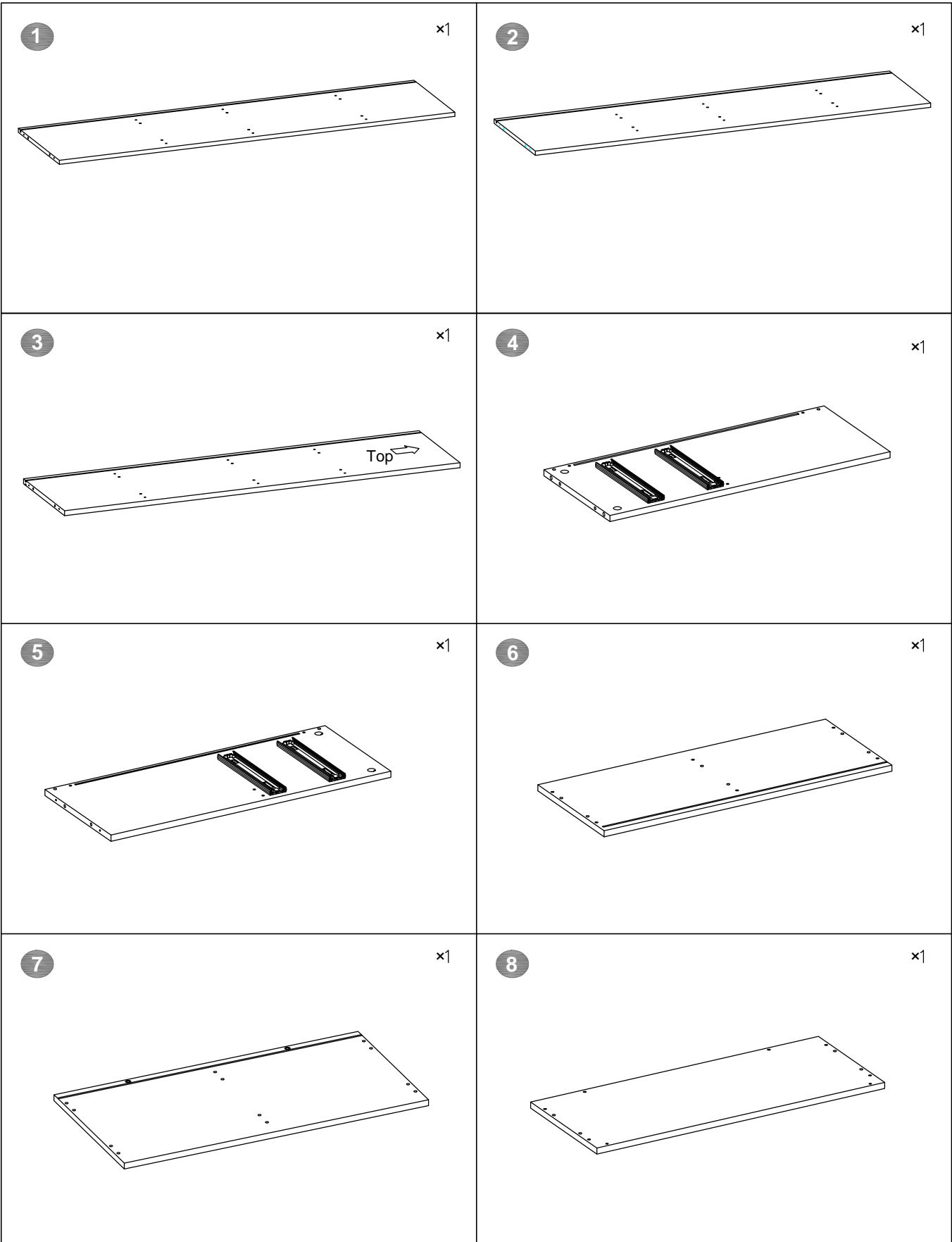
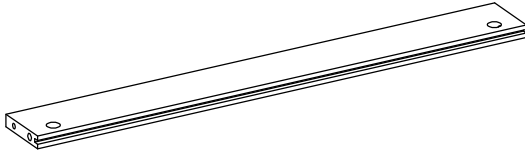
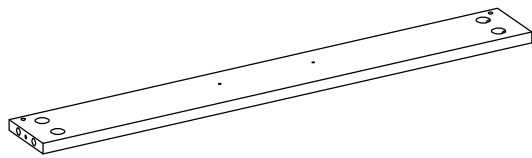
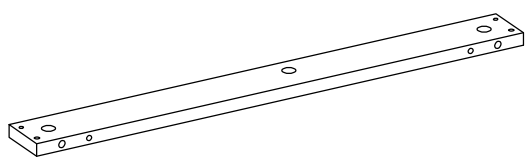
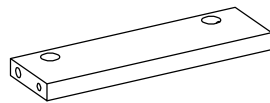
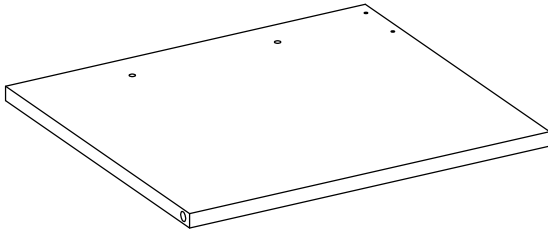
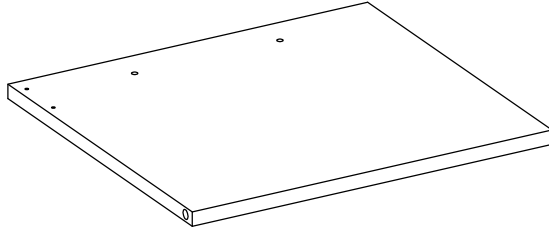
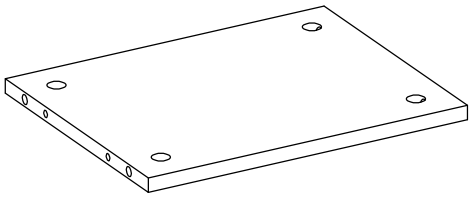
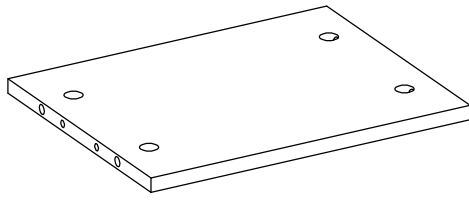
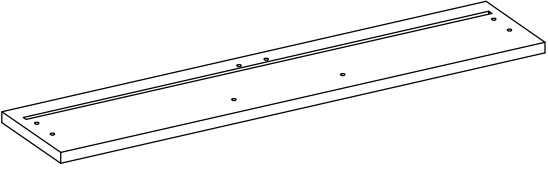
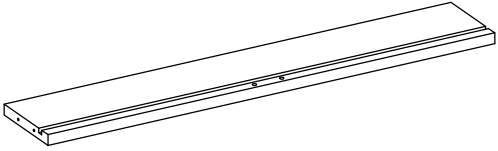
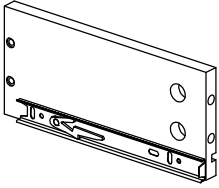
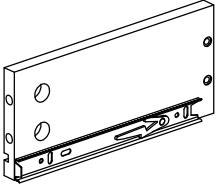
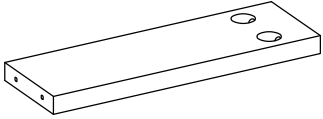

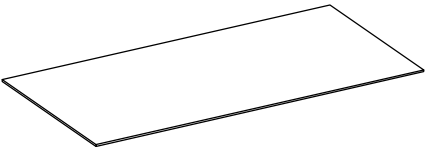



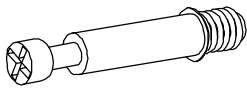
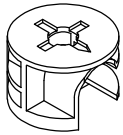

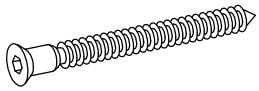
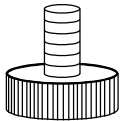
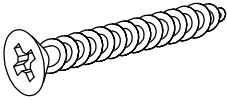
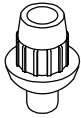
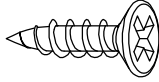
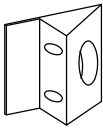
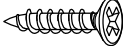
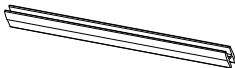


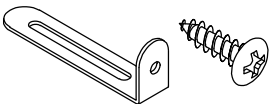
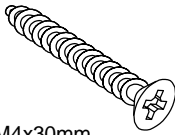
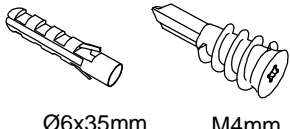
ASSEMBLY INSTRUCTIONS



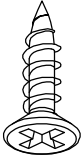


| | |
|--|---|
| <p>9 ×2</p>  | <p>10 ×1</p>  |
| <p>11 ×2</p>  | <p>12 ×2</p>  |
| <p>13 ×1</p>  | <p>14 ×1</p>  |
| <p>15 ×3</p>  | <p>16 ×3</p>  |

| | |
|--|---|
| <p>17 x2</p>  | <p>18 x2</p>  |
| <p>19 x2</p>  | <p>20 x2</p>  |
| <p>21 x2</p>  | <p>22 x2</p>  |
| <p>23 x2</p>  | <p>24 x2</p>  |

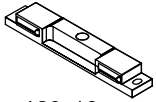
| | | | |
|---|---|--|---|
| A ×58+2 | B ×58+2 | C ×58+2 | D ×20+1 |
|  |  |  |  |
| Ø6x35mm | Ø15x9.8mm | Ø6x30mm | Ø9.5xM5x46mm |
| E ×4 | F ×12+1 | G ×4+1 | H ×4 |
|  |  |  |  |
| M6x15mm | Ø8xM4x35mm | Ø12x25mm | ST3.5x12mm |
| I ×26+1 | J ×26+1 | K ×1 | L ×8 |
|  |  |  |  |
| 14X14X11mm | ST3x16 | 582X12X6mm | |
| M ×4 | N ×2 | O ×2 | |
|  |  |  |  |
| 147x17x11mm-128L | | Ø8xM4x30mm | Ø6x35mm M4mm |

P x2

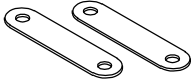


ST3.5x14

Q x1

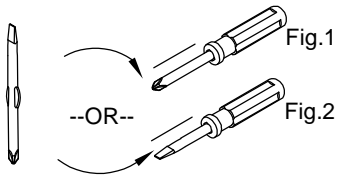


120x19mm



54x12x1.0mm

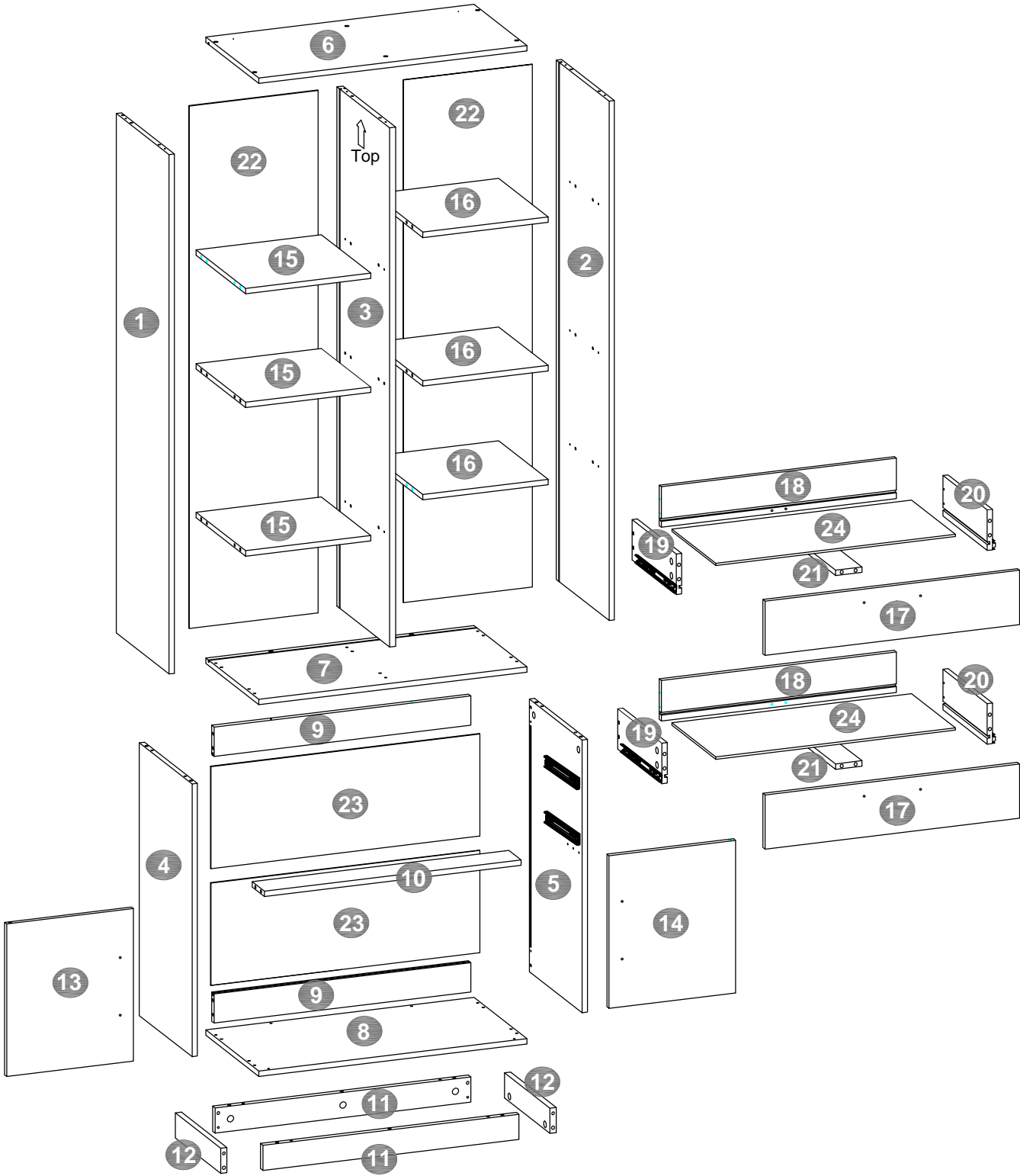
R



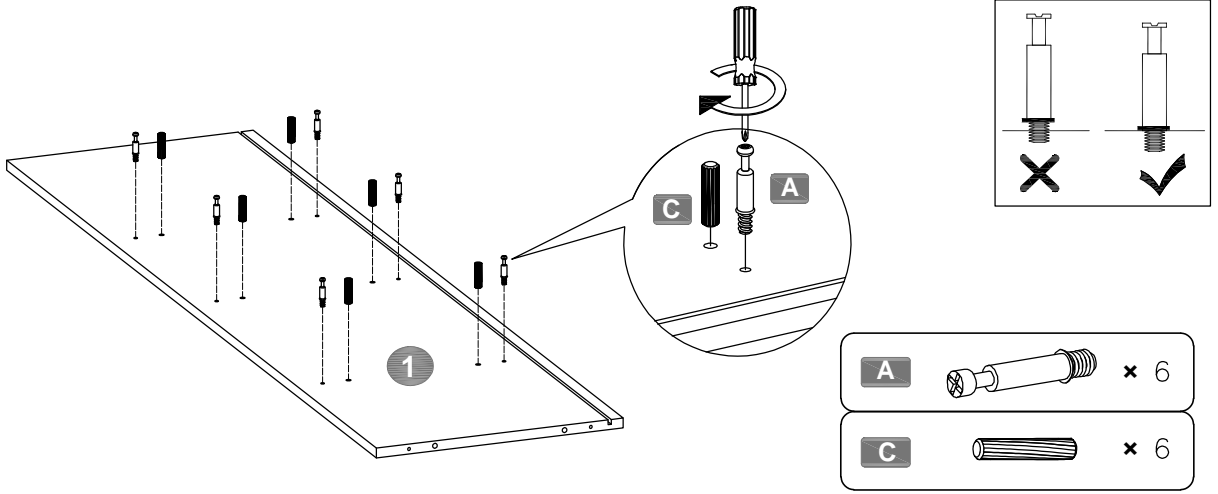
S



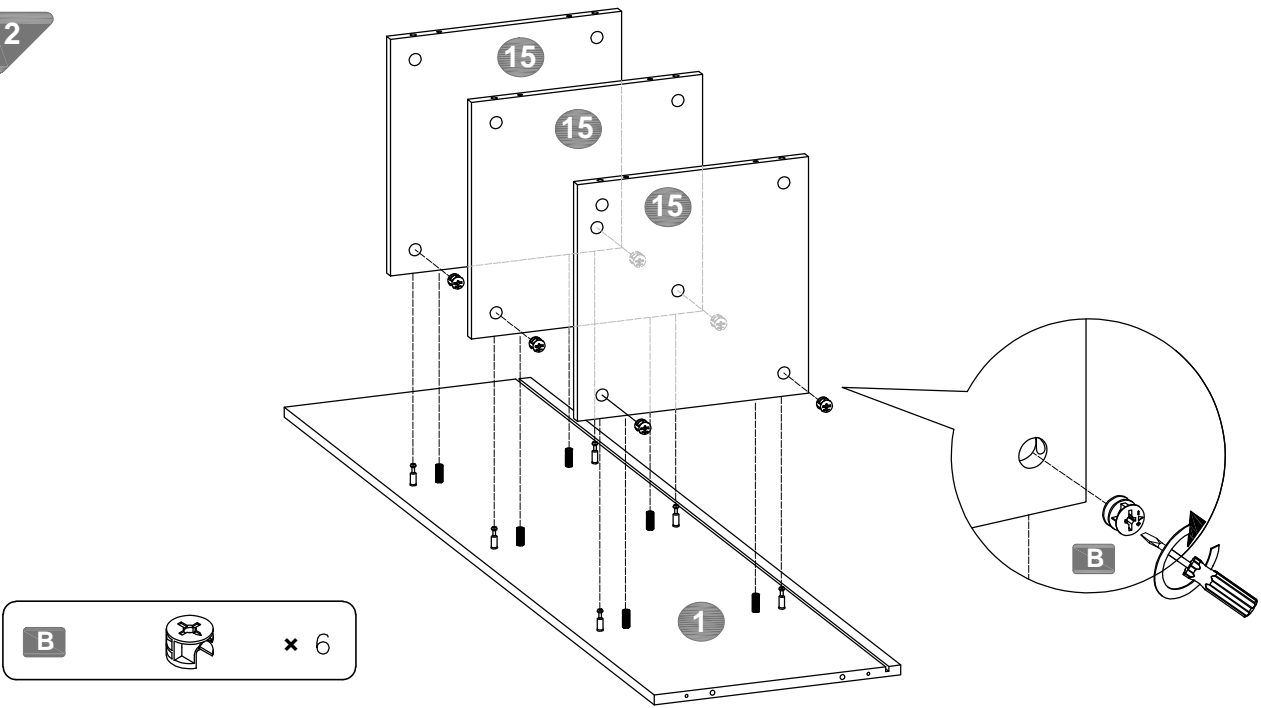
M4



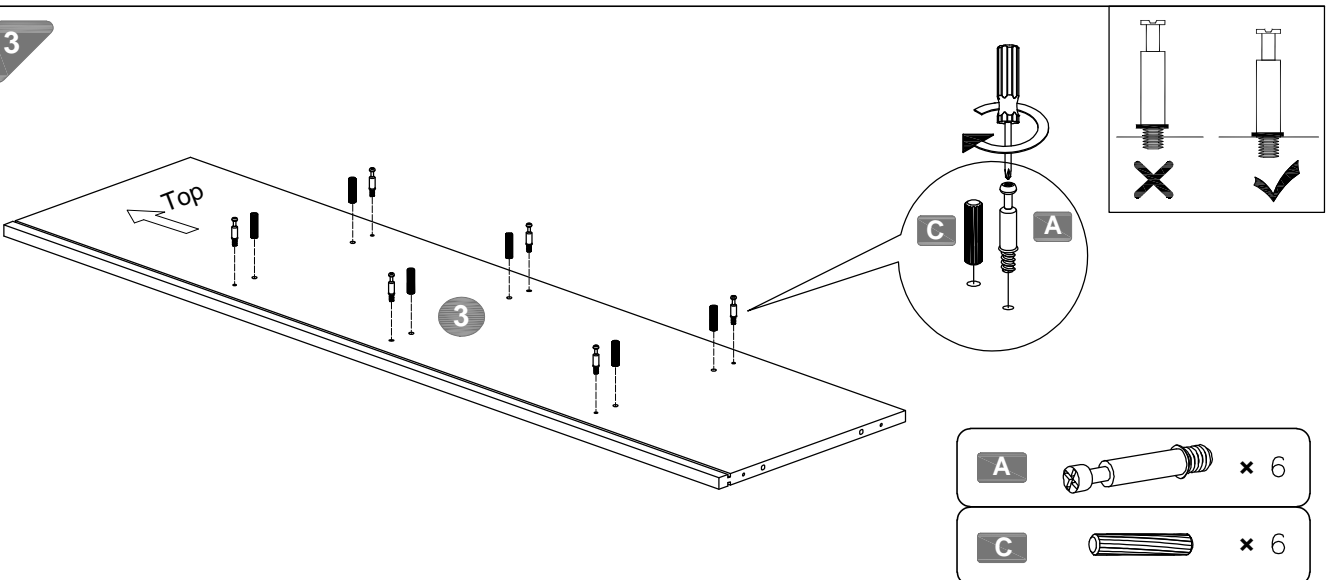
1

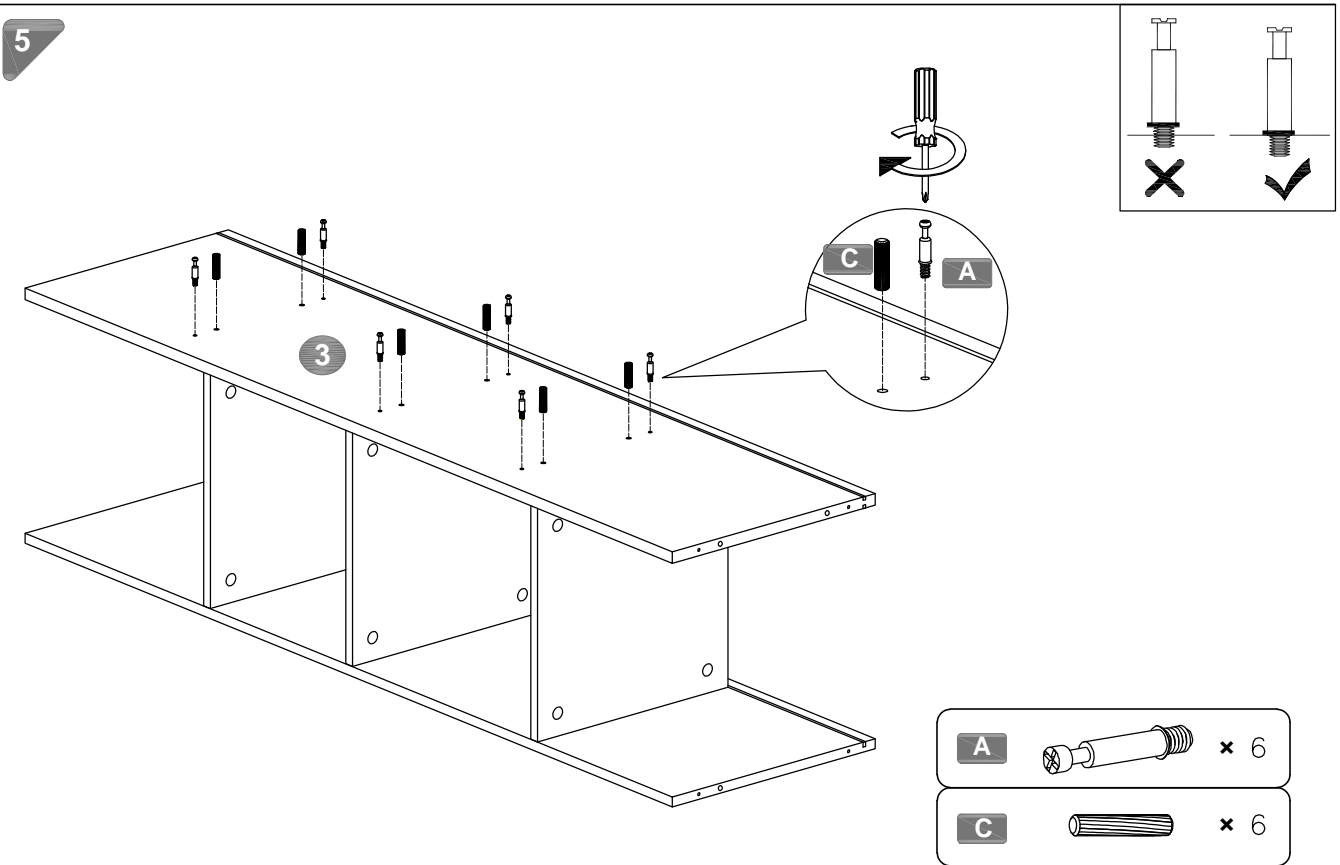
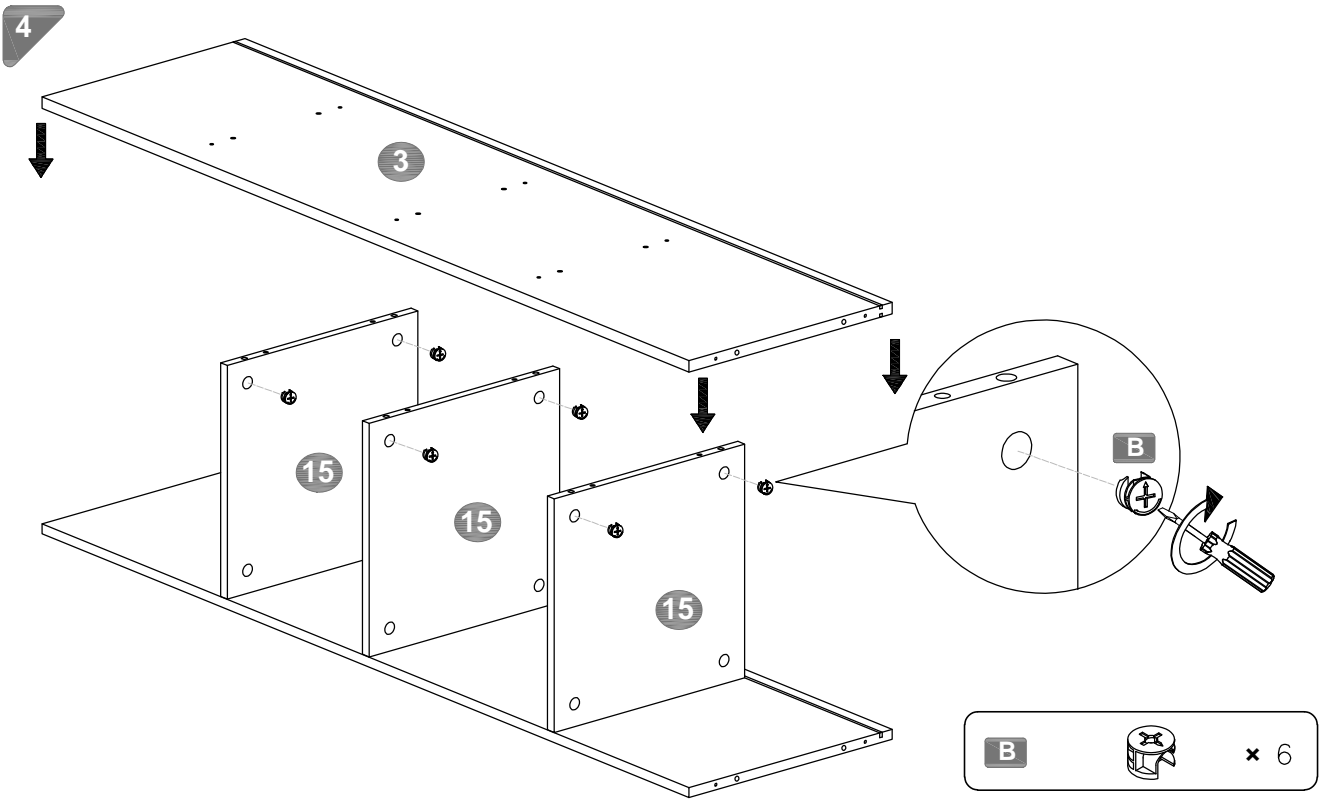


2

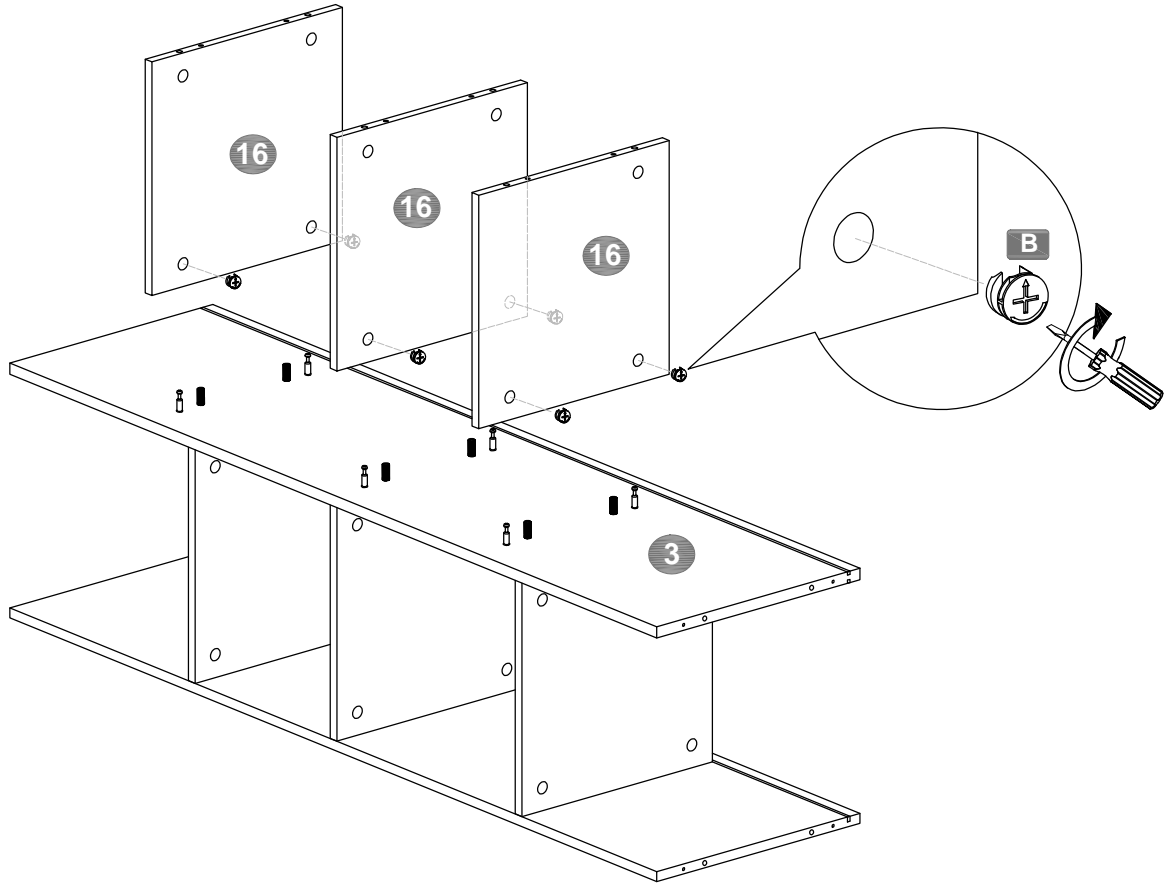


3

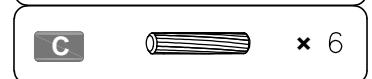
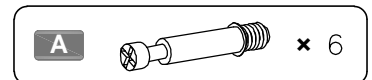
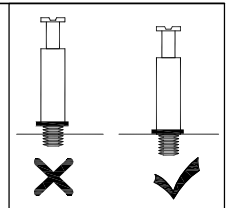
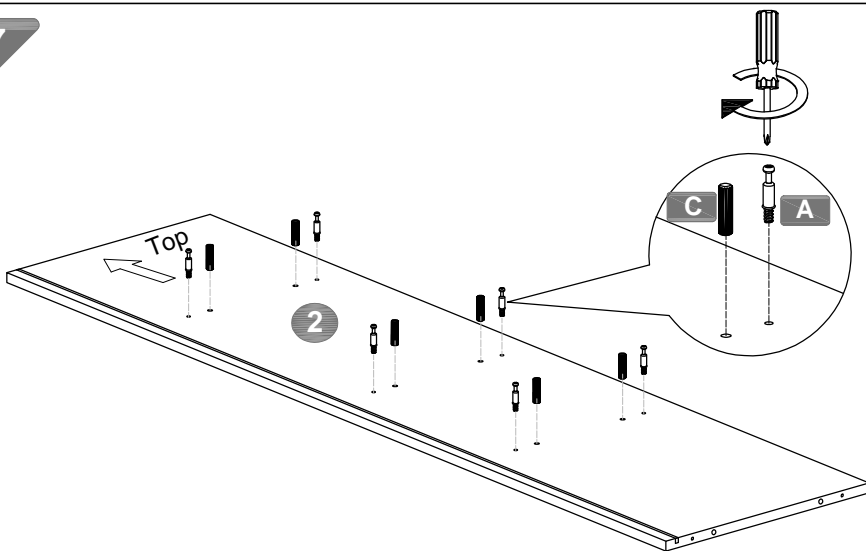




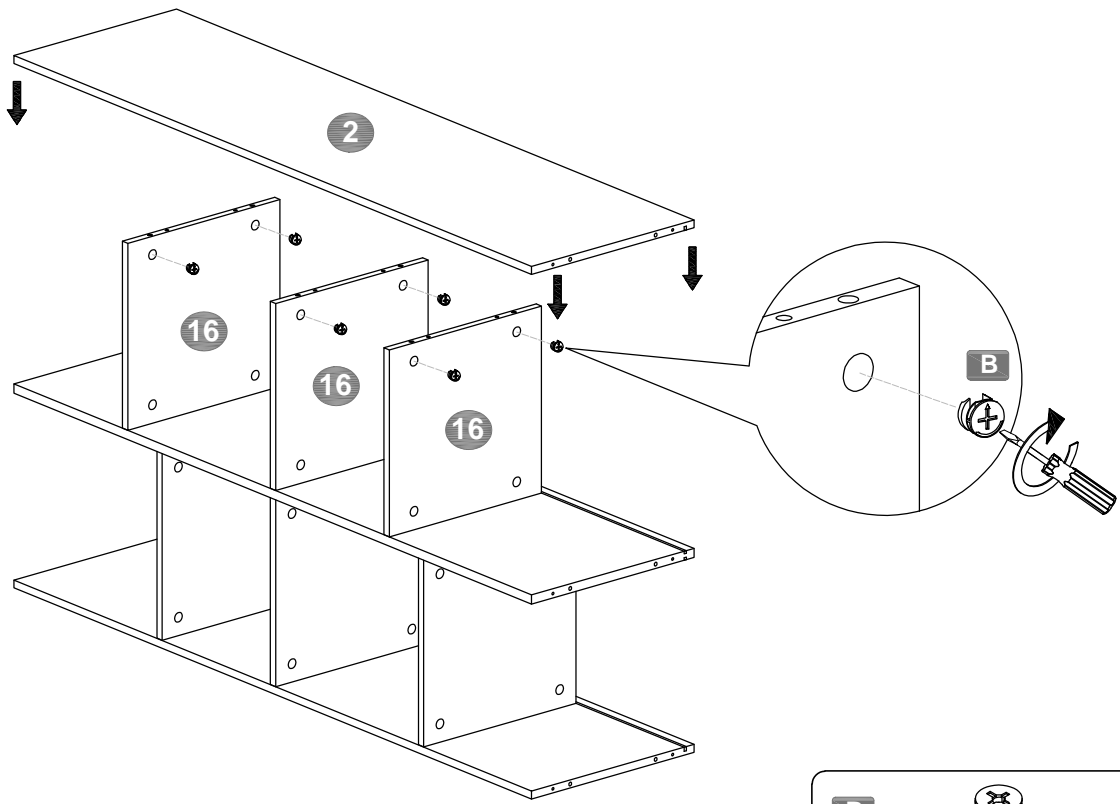
6




7



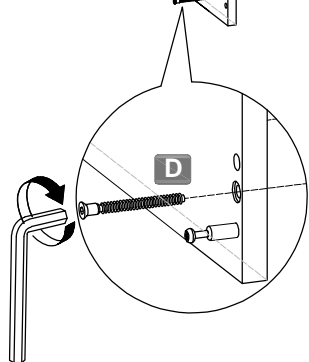
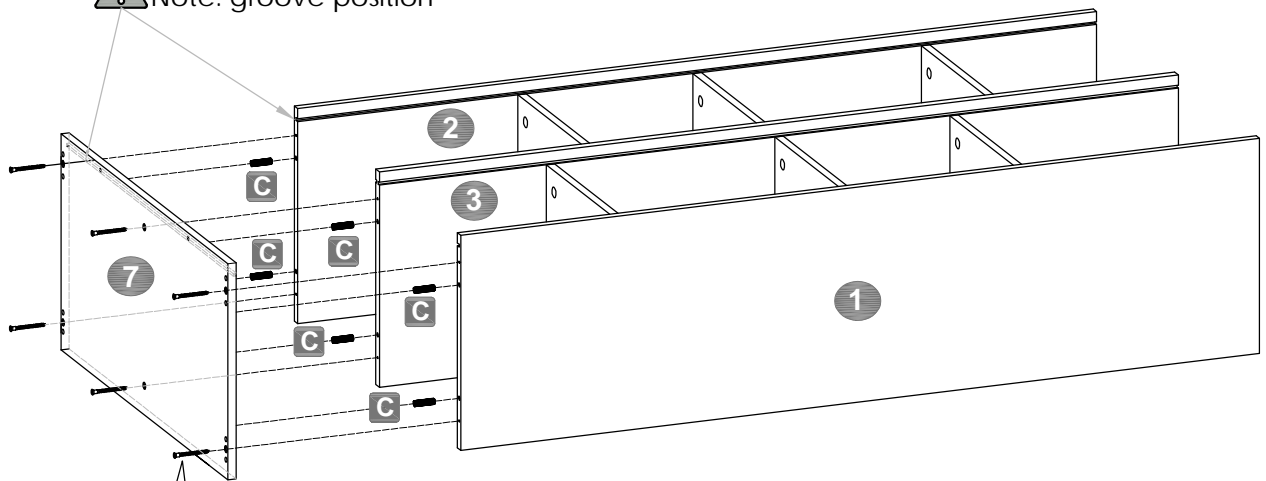
8





- | | | |
|----------|---|-----|
| B |  | × 6 |
|----------|---|-----|

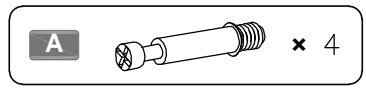
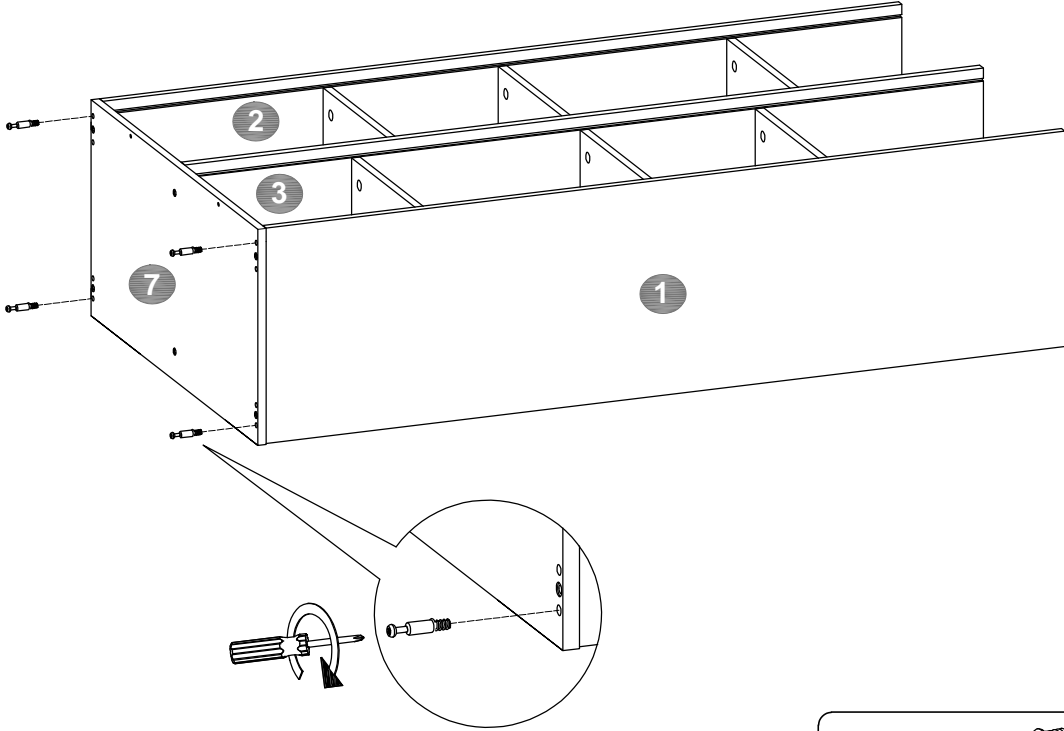
9

 Note: groove position

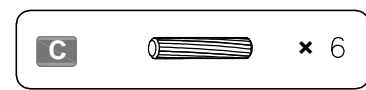
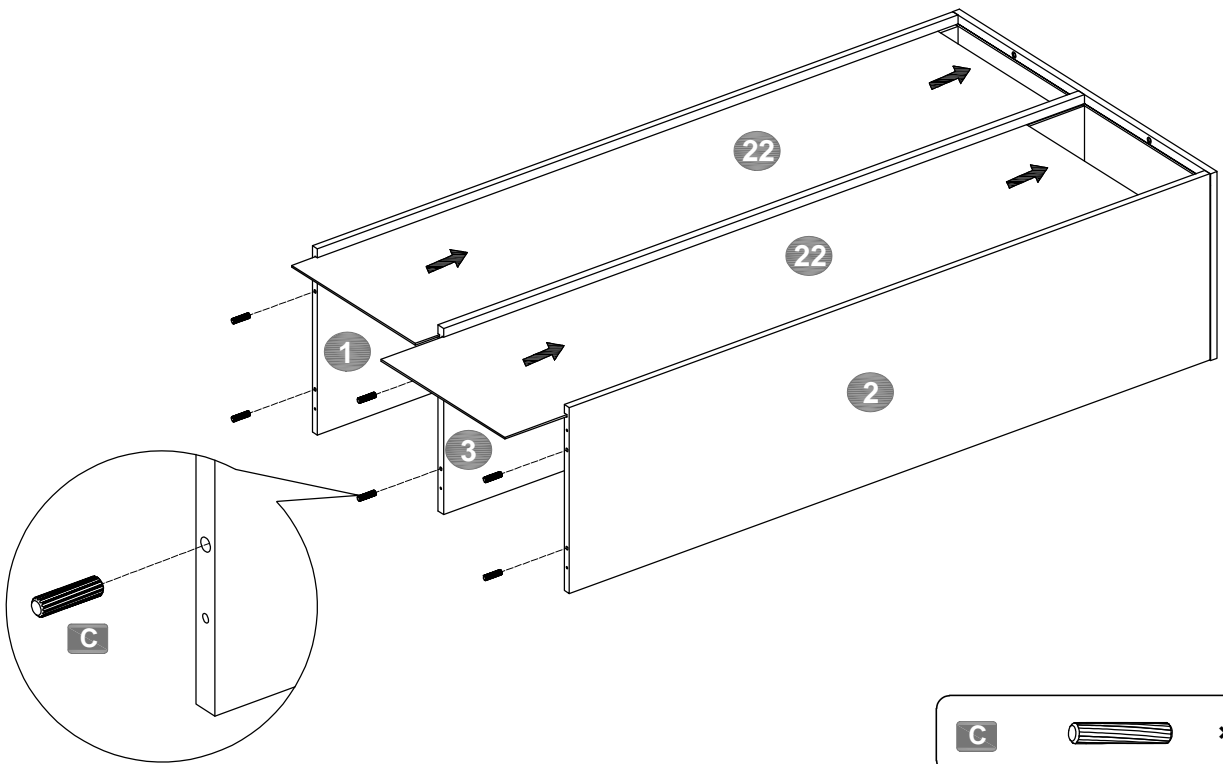


- | | | |
|----------|---|-----|
| C |  | × 6 |
| D |  | × 6 |

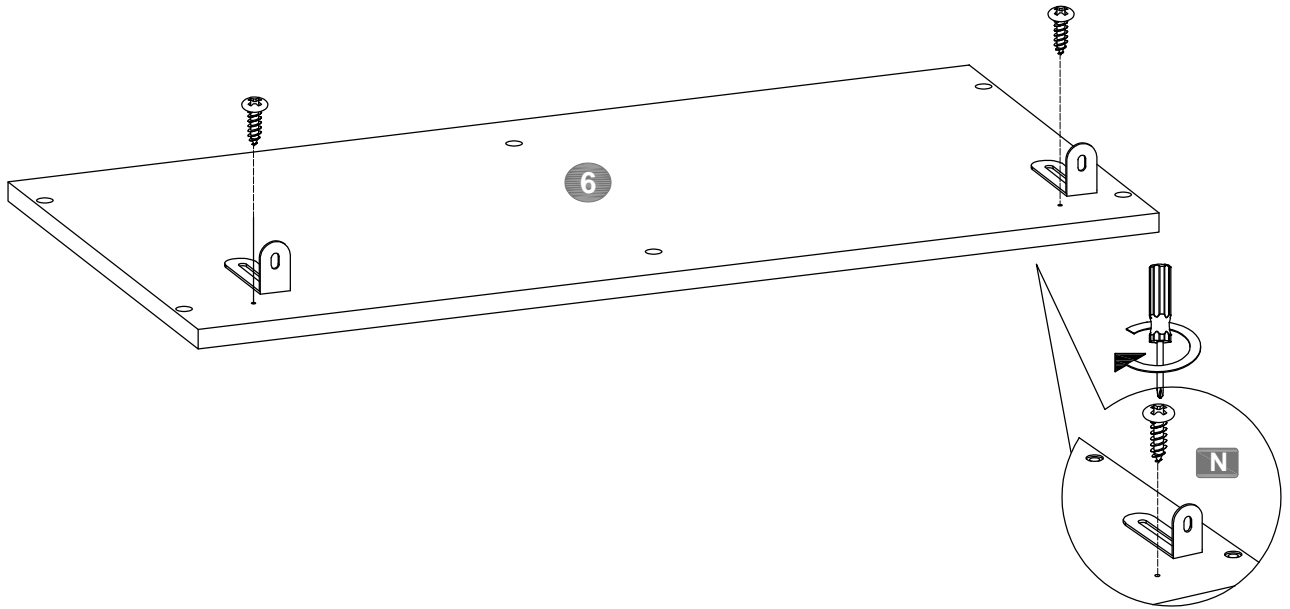
10



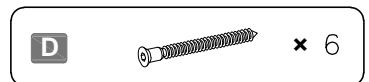
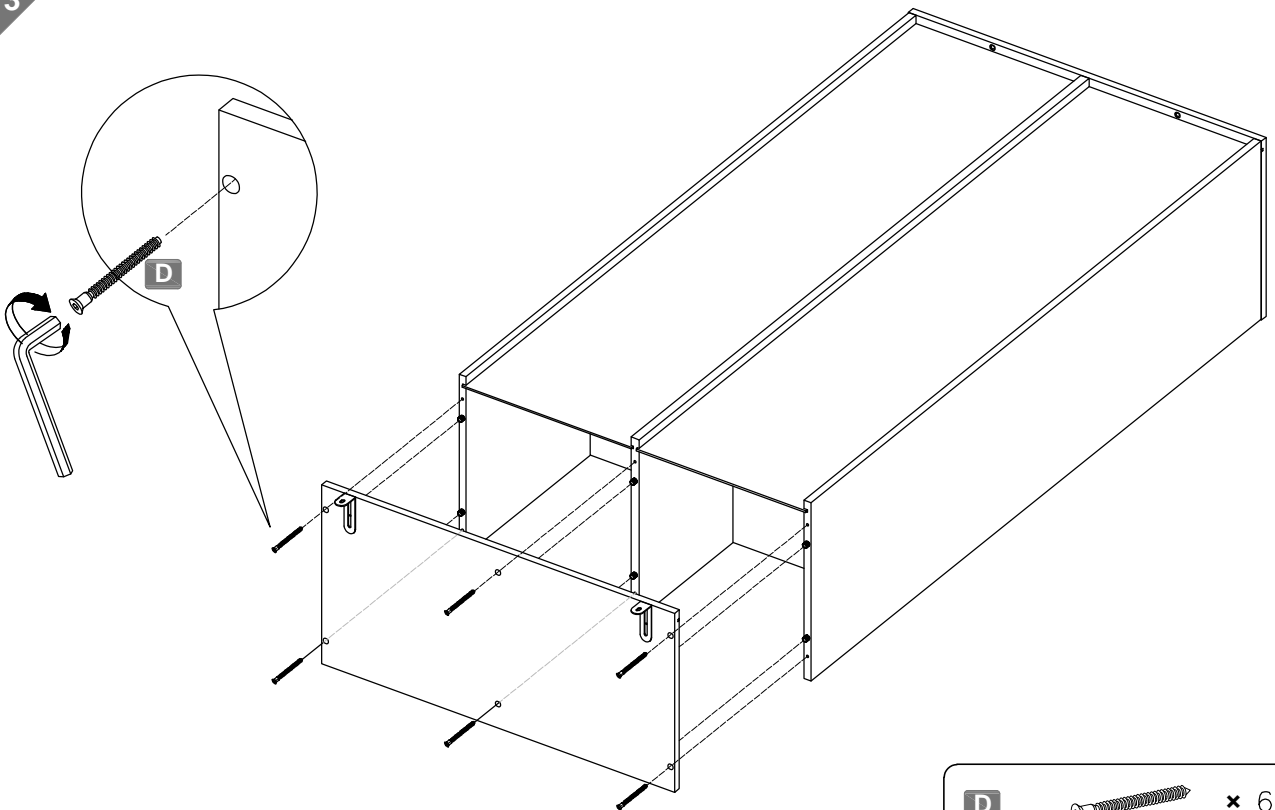
11



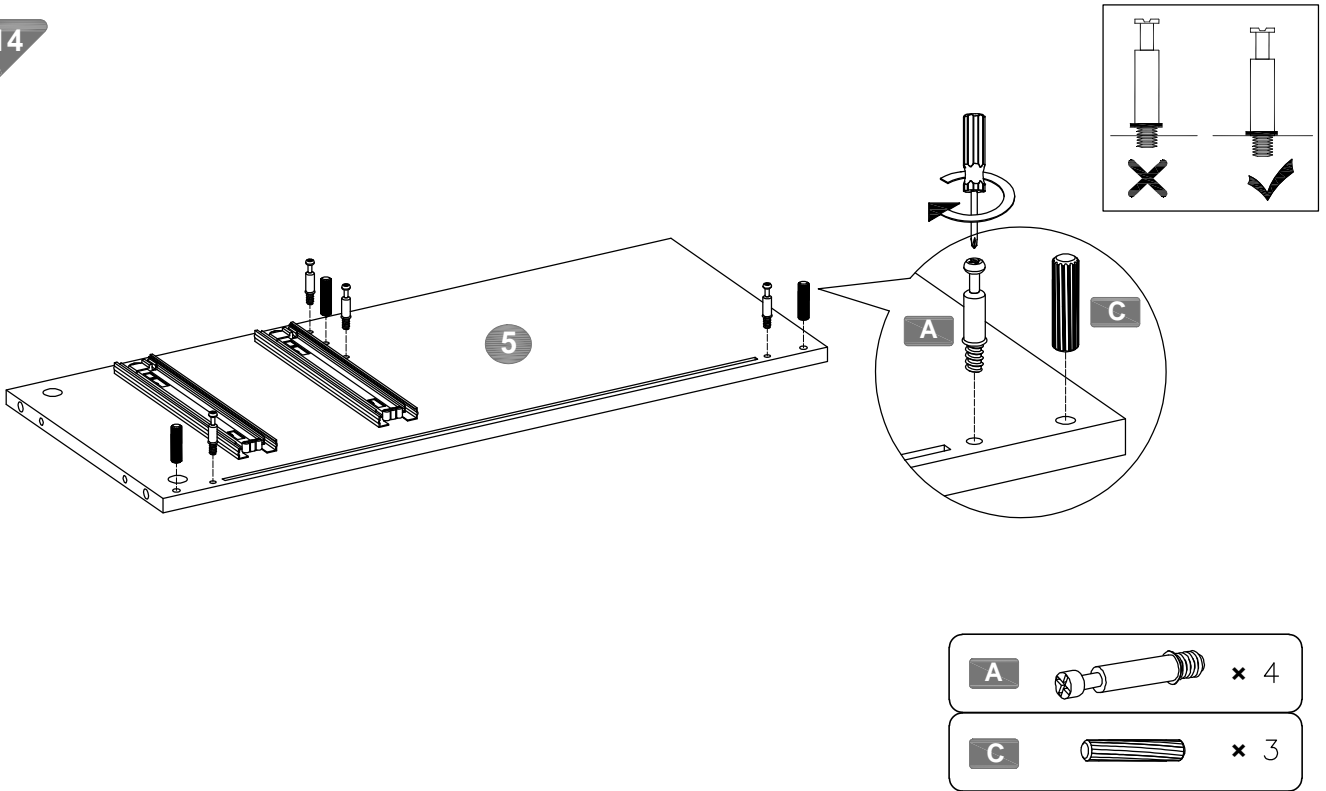
12



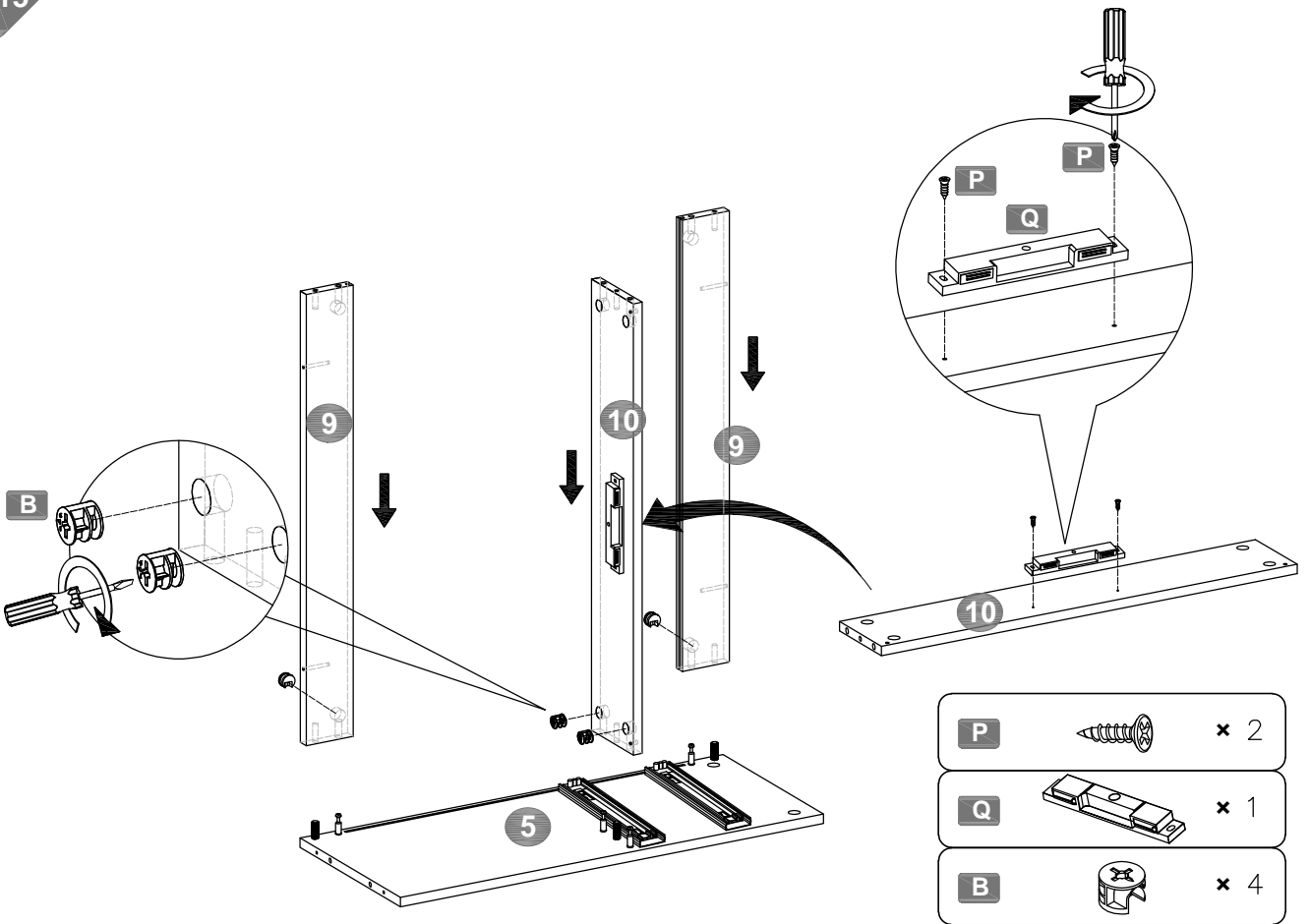
13



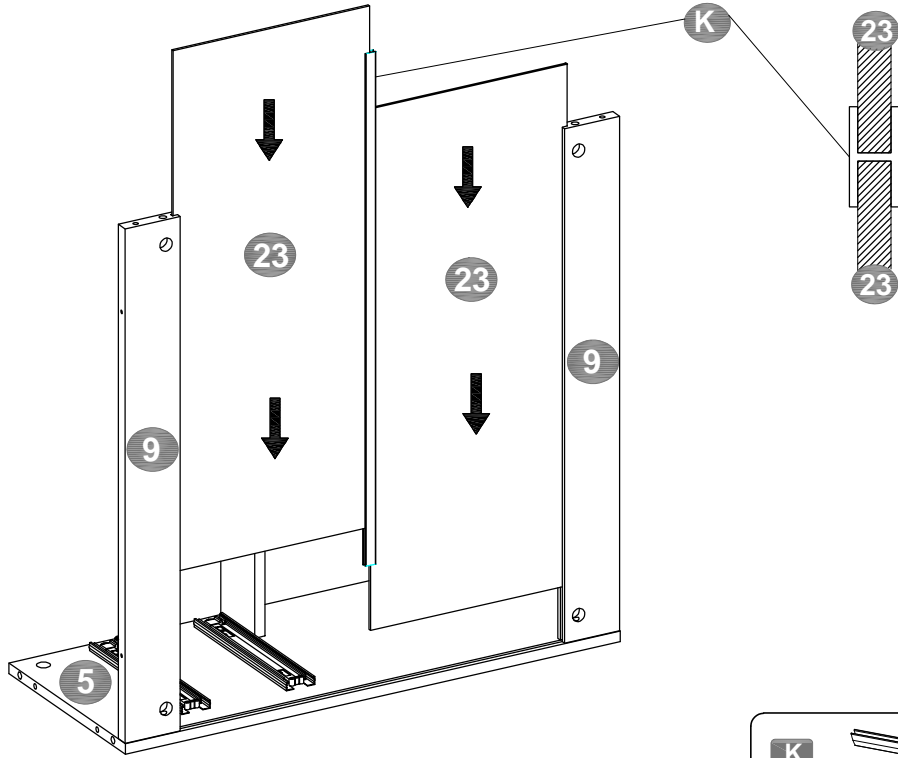
14



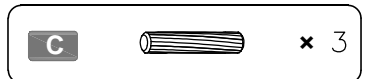
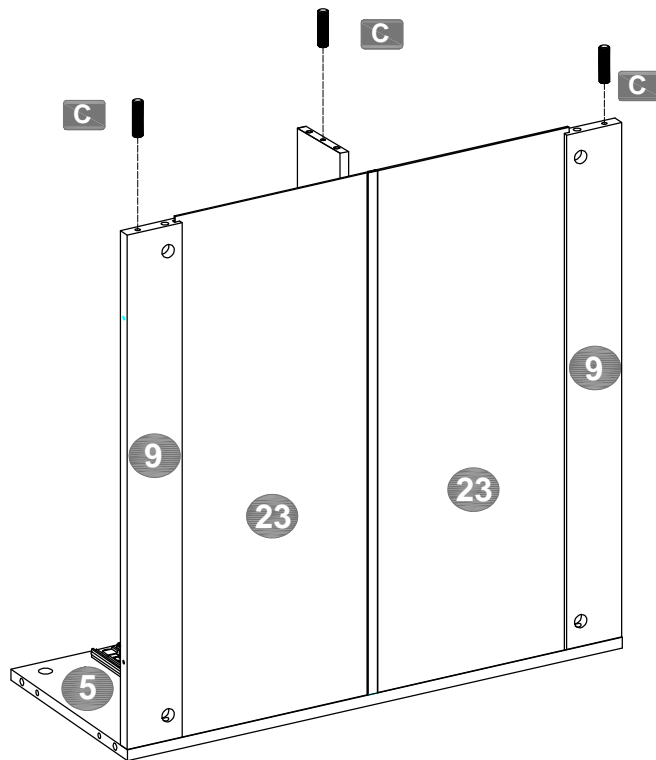
15



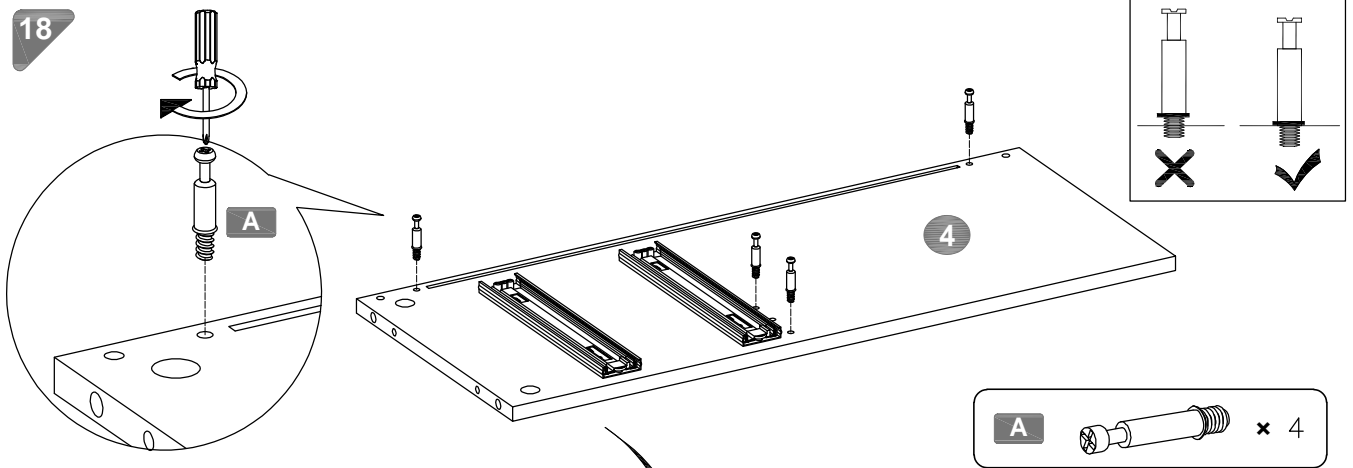
16



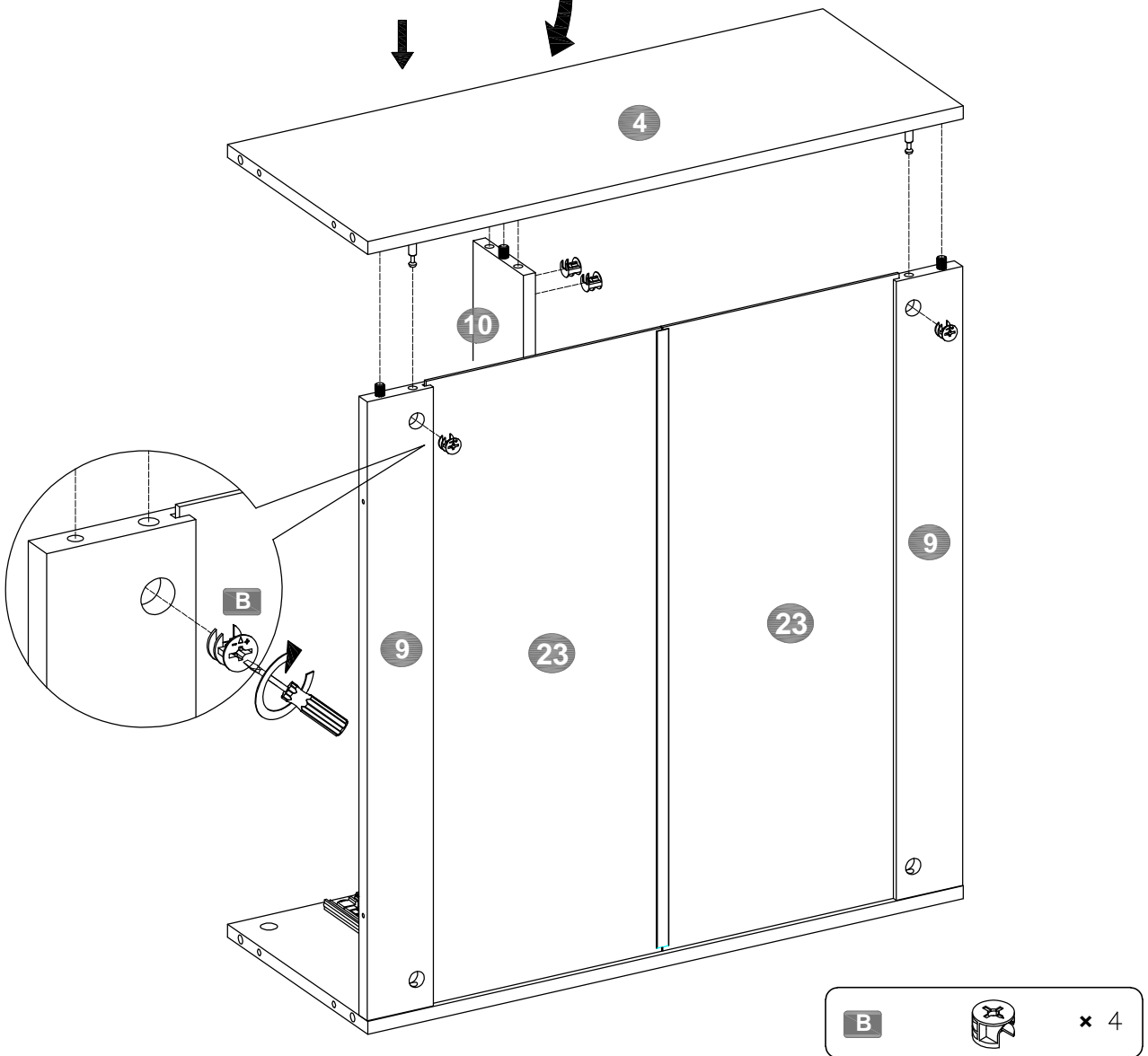
17



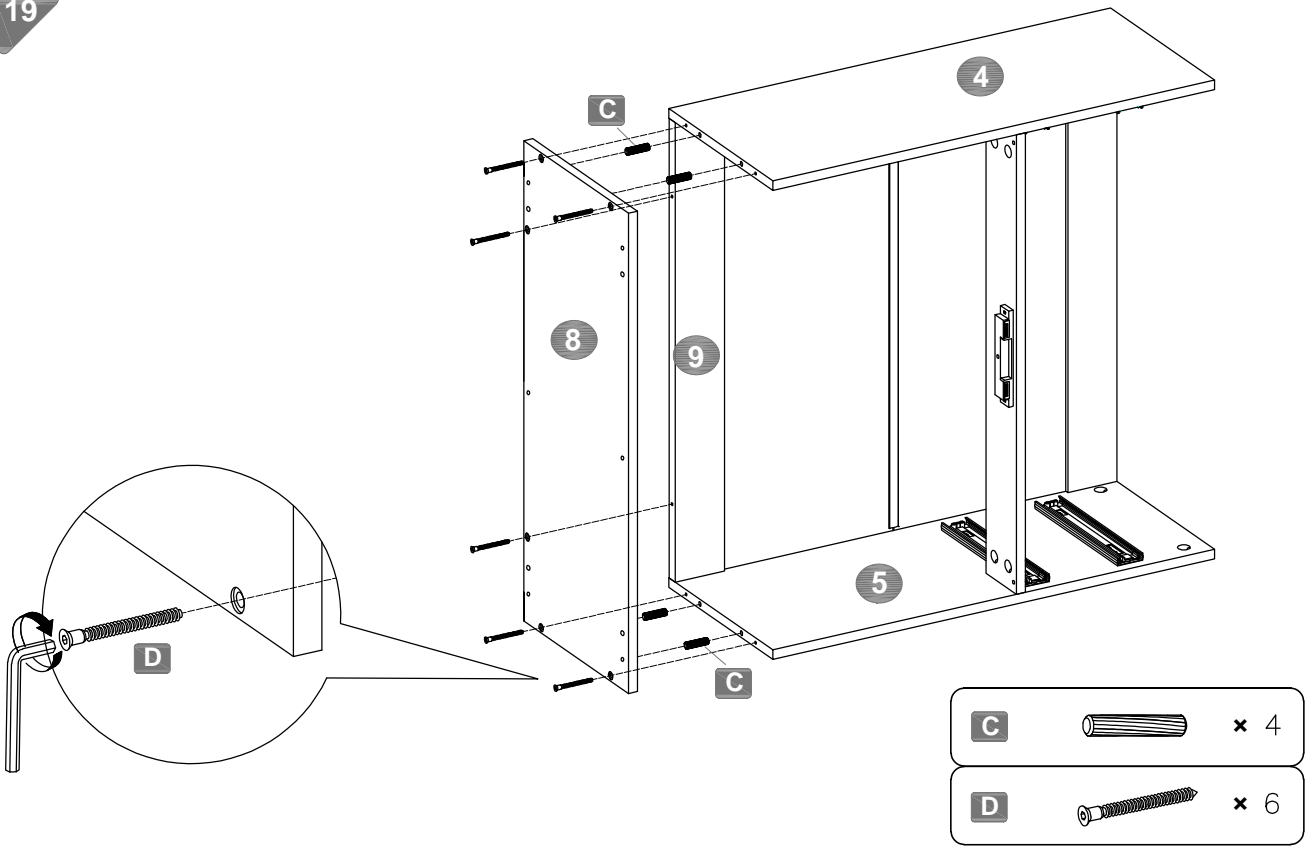
18



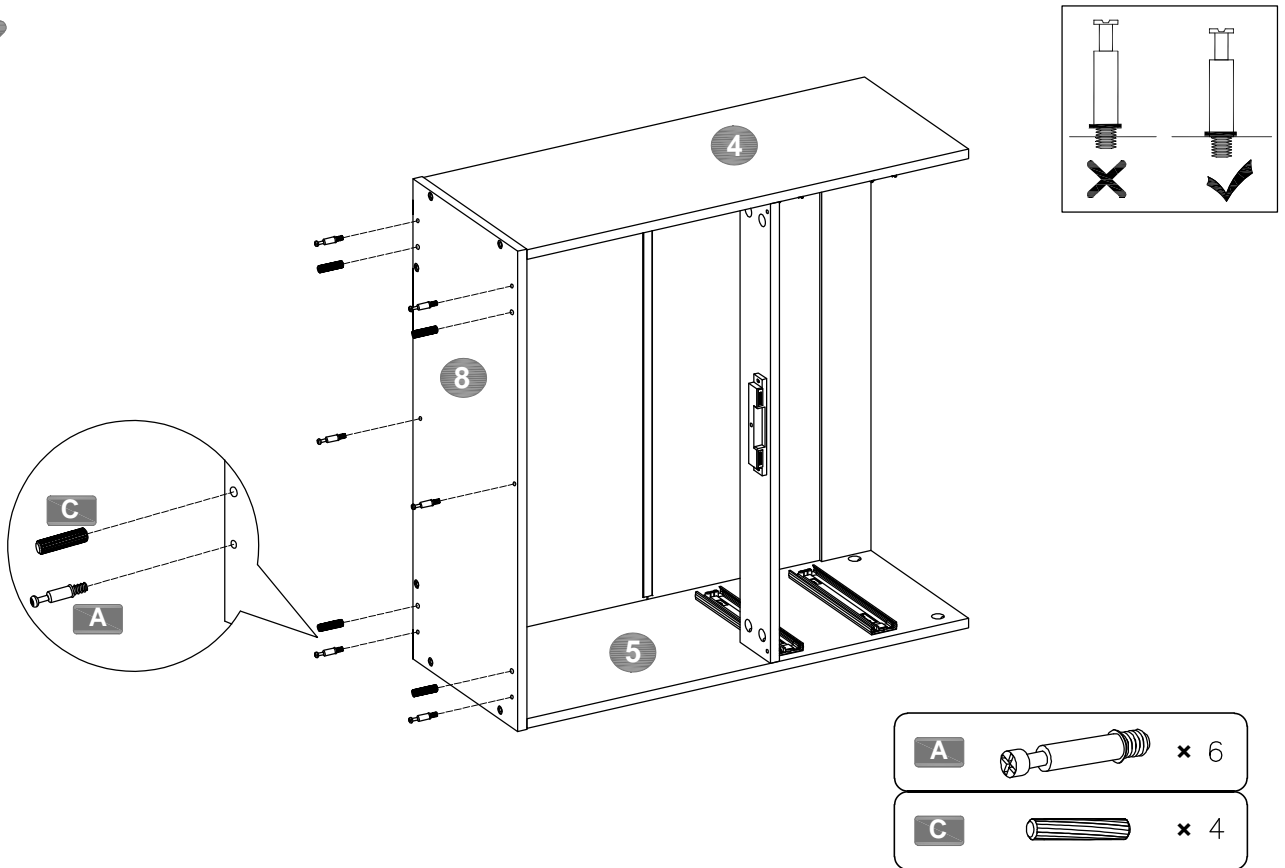
Turn over 180°



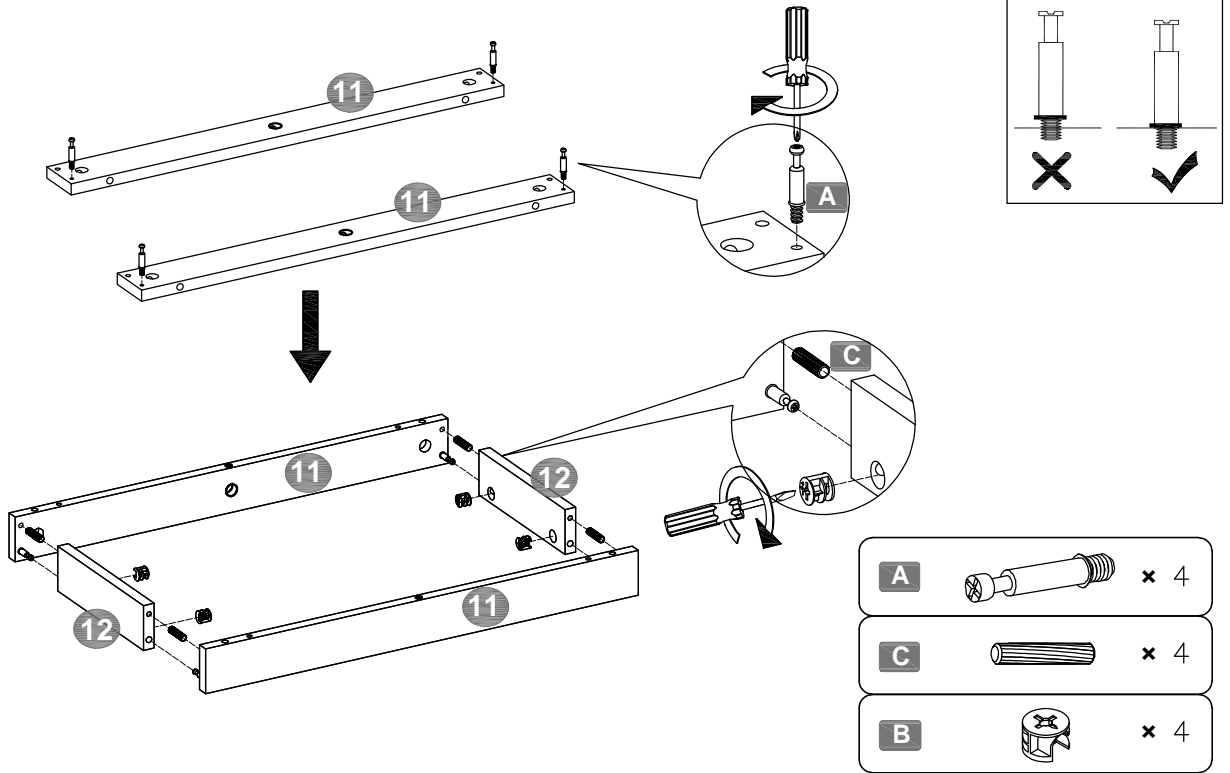
19



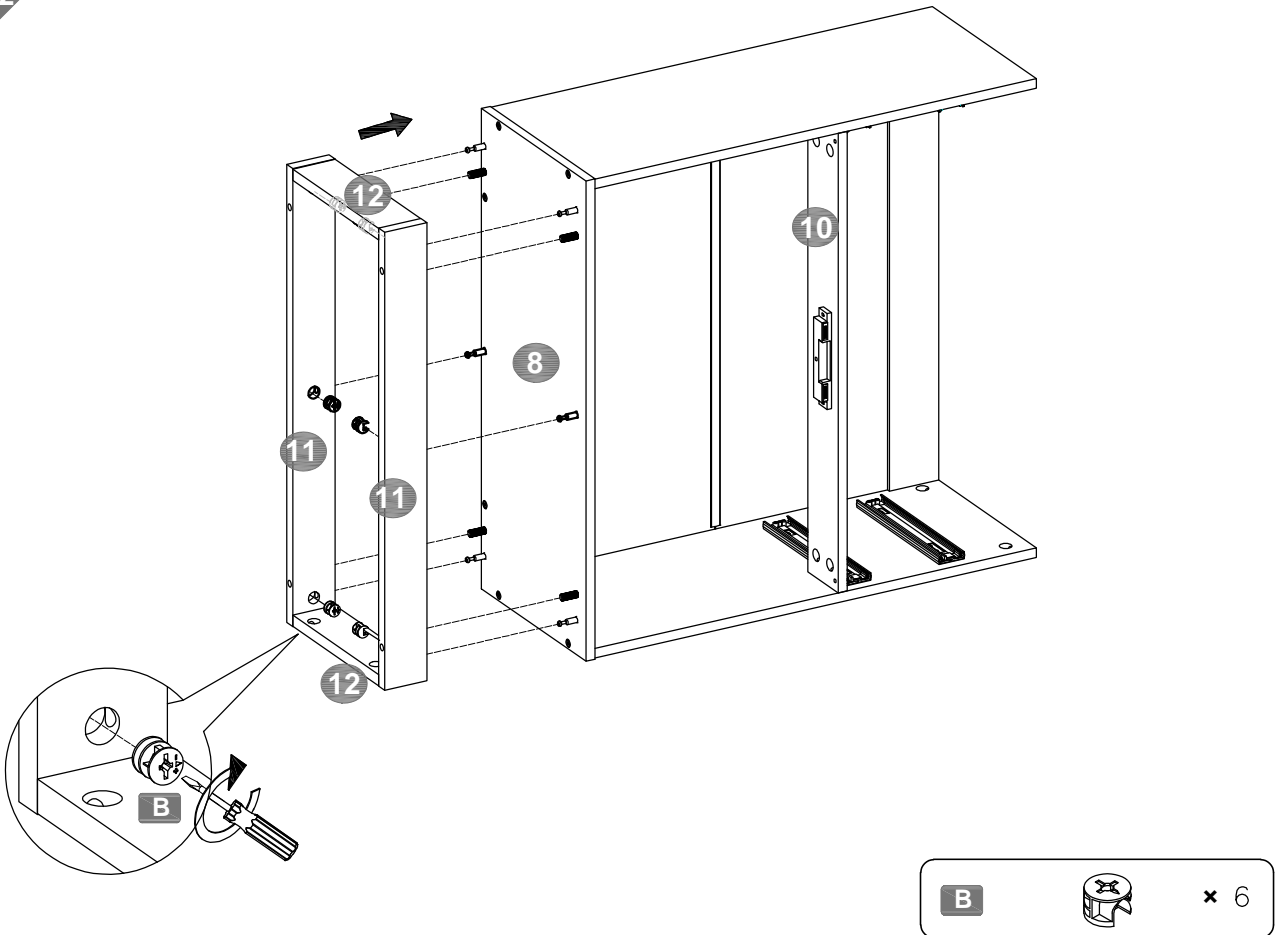
20



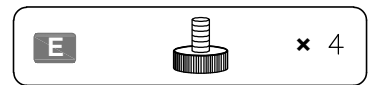
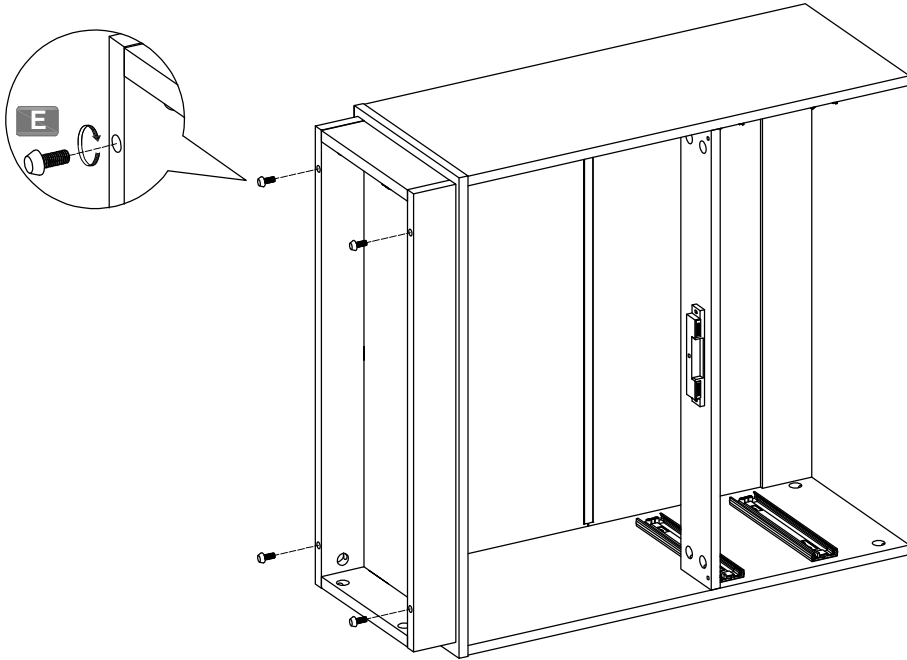
21



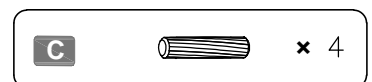
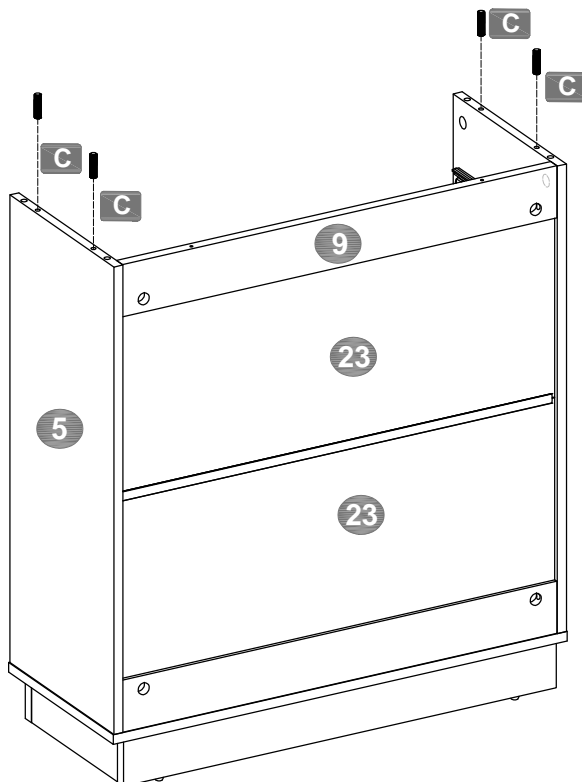
22



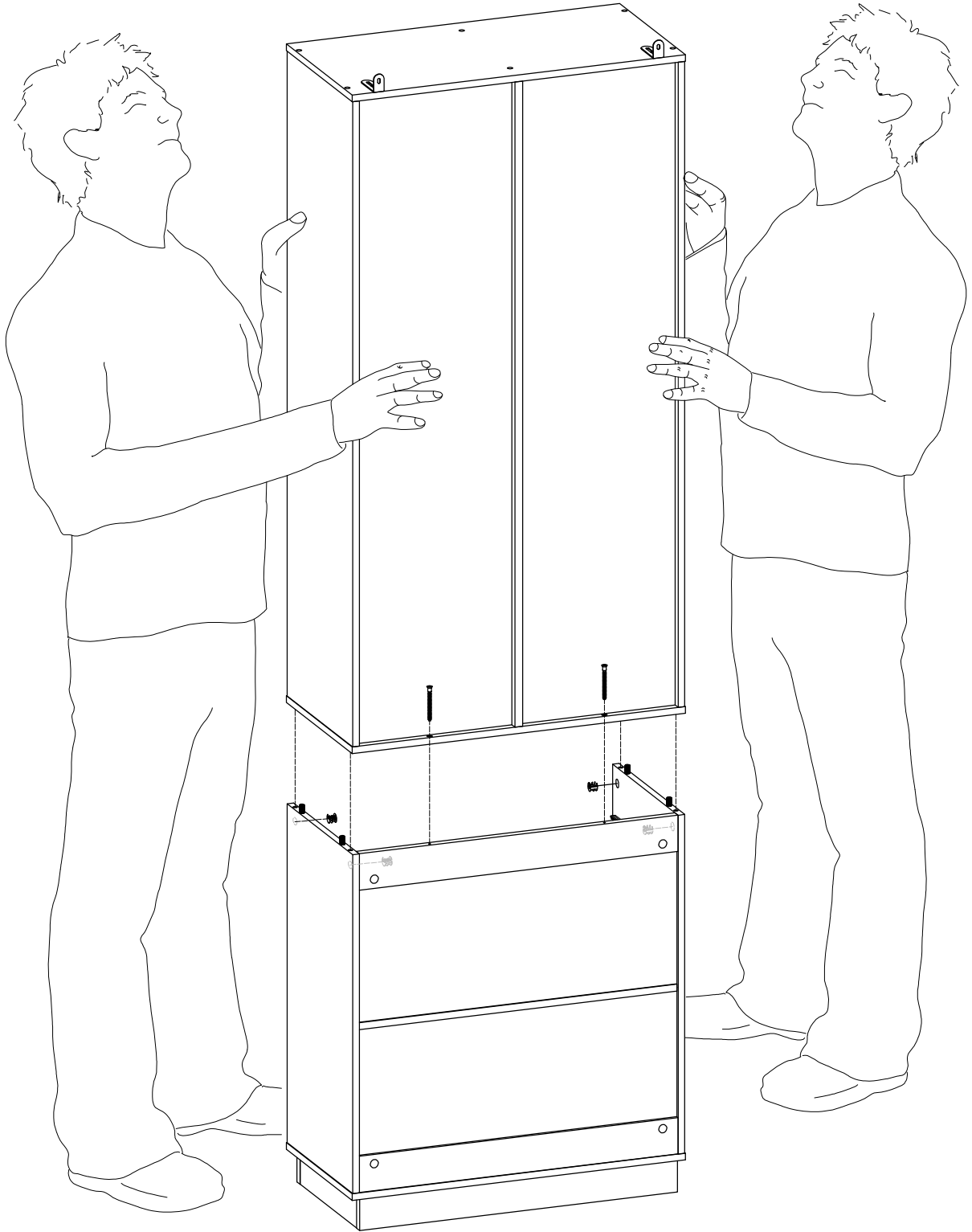
23





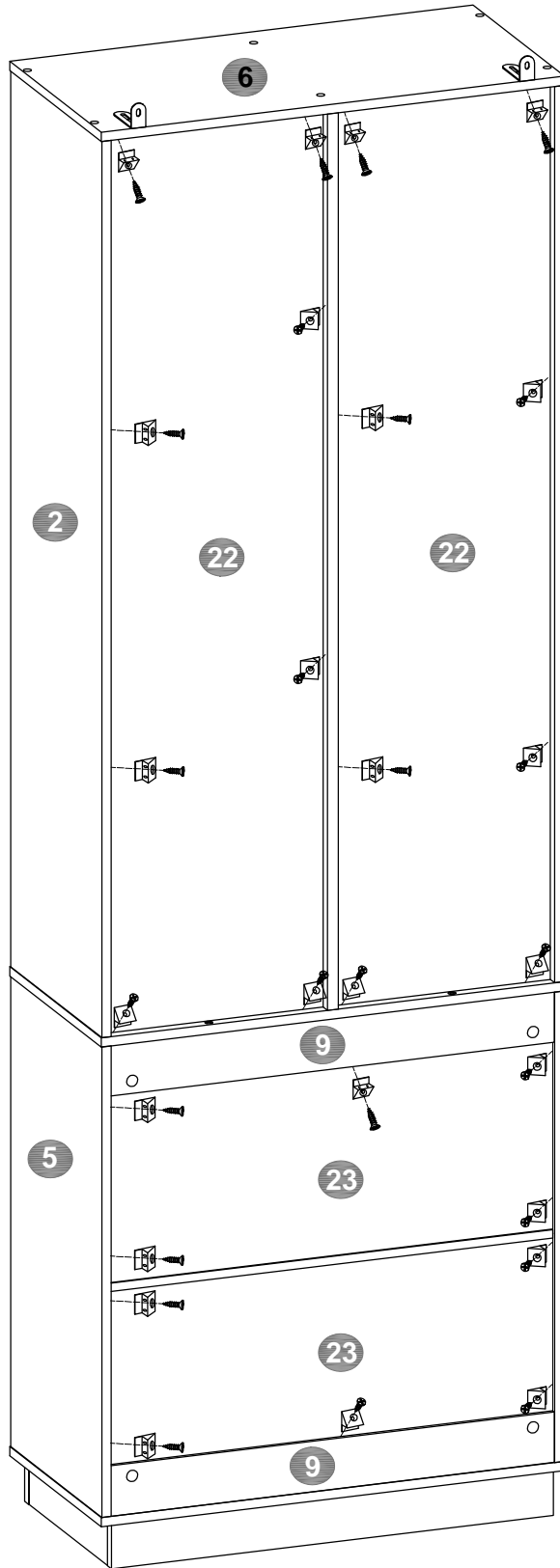
24


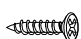


25

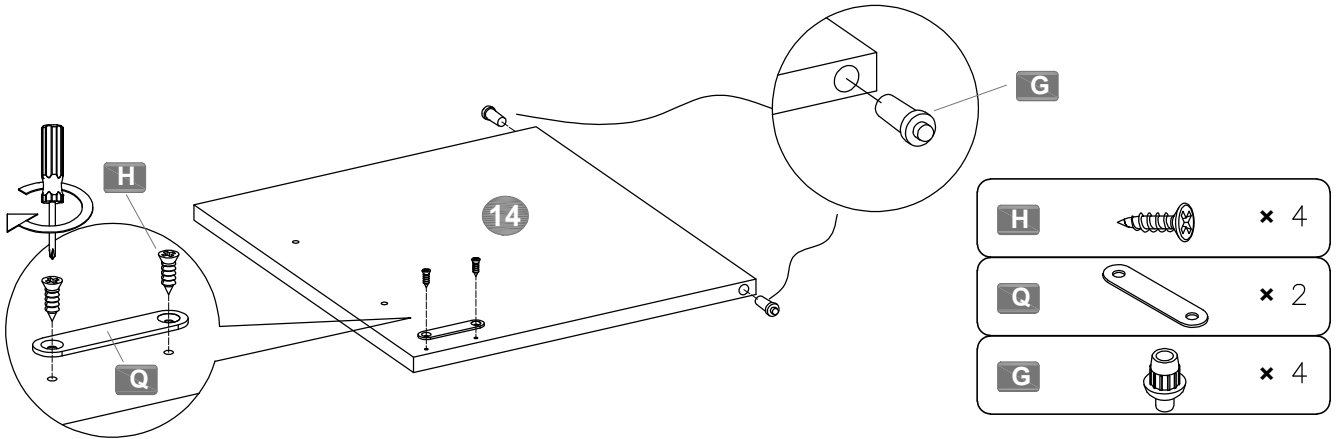
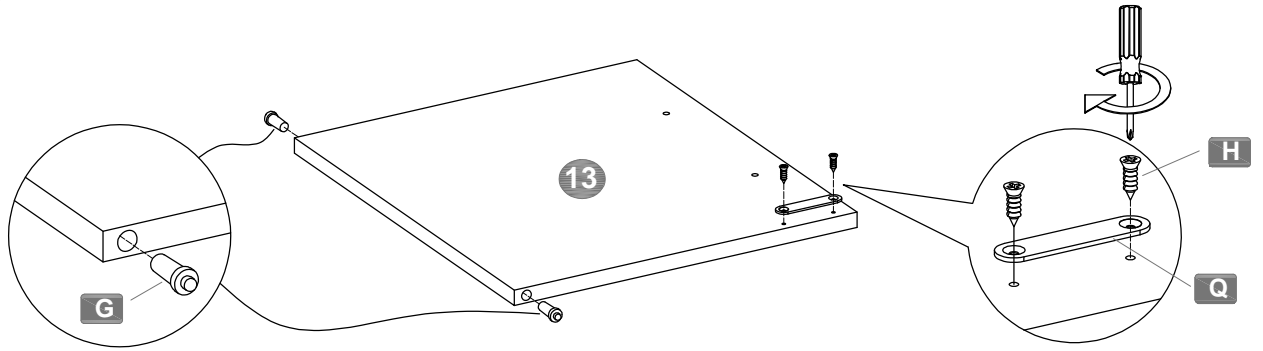


- | | | |
|----------|---|-----|
| B |  | x 4 |
| D |  | x 2 |

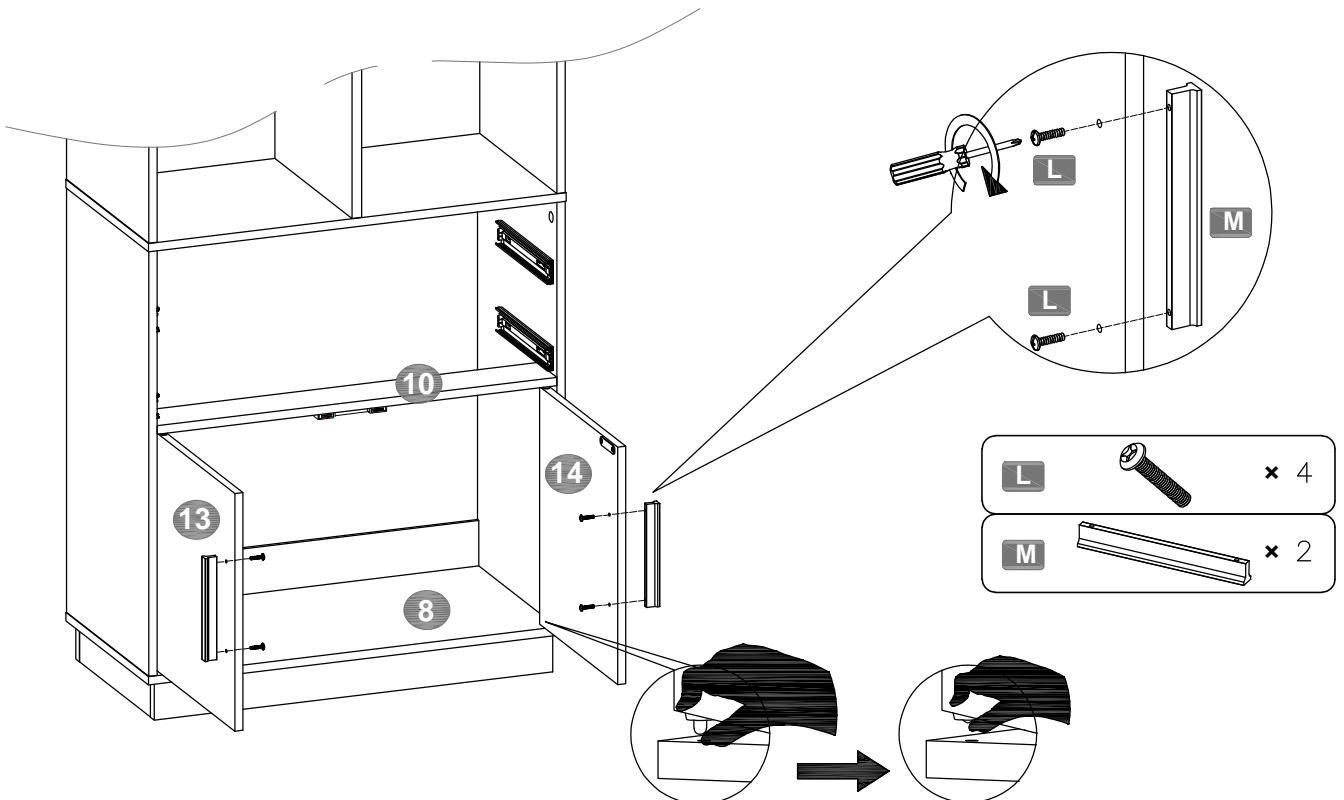


- | | | |
|---|---|------|
| I |  | x 26 |
| J |  | x 26 |

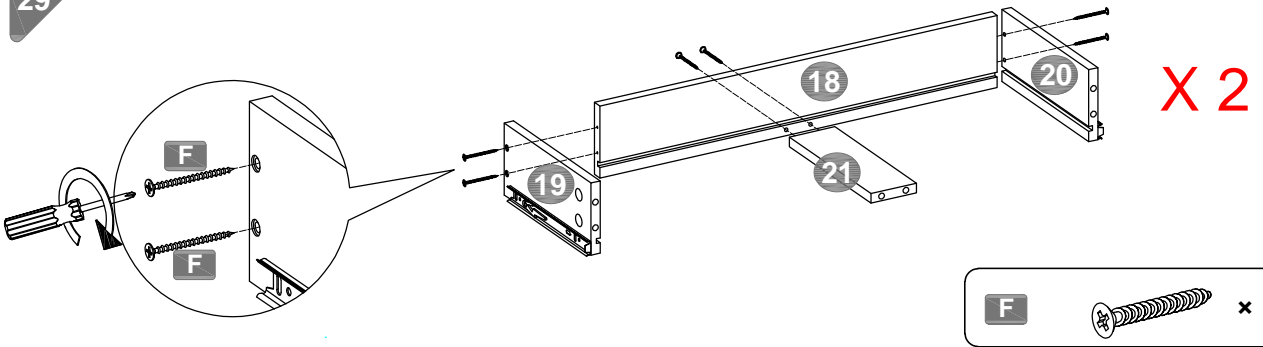
27



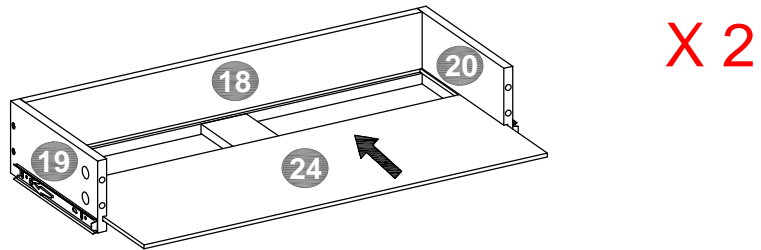
28



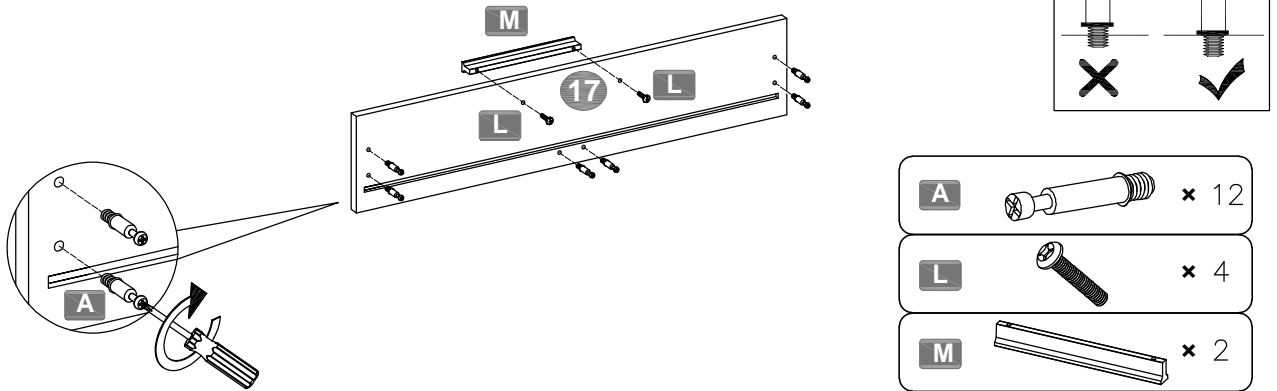
29



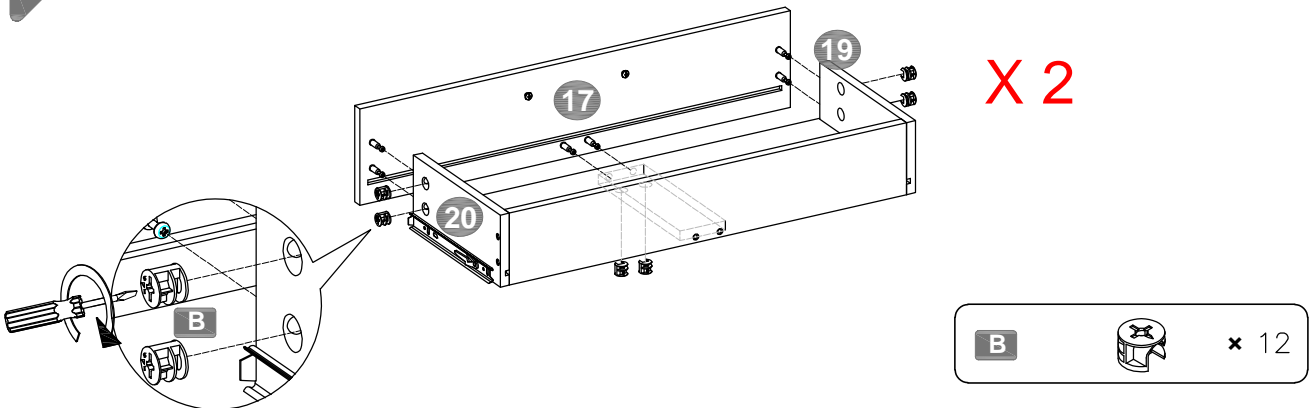
30



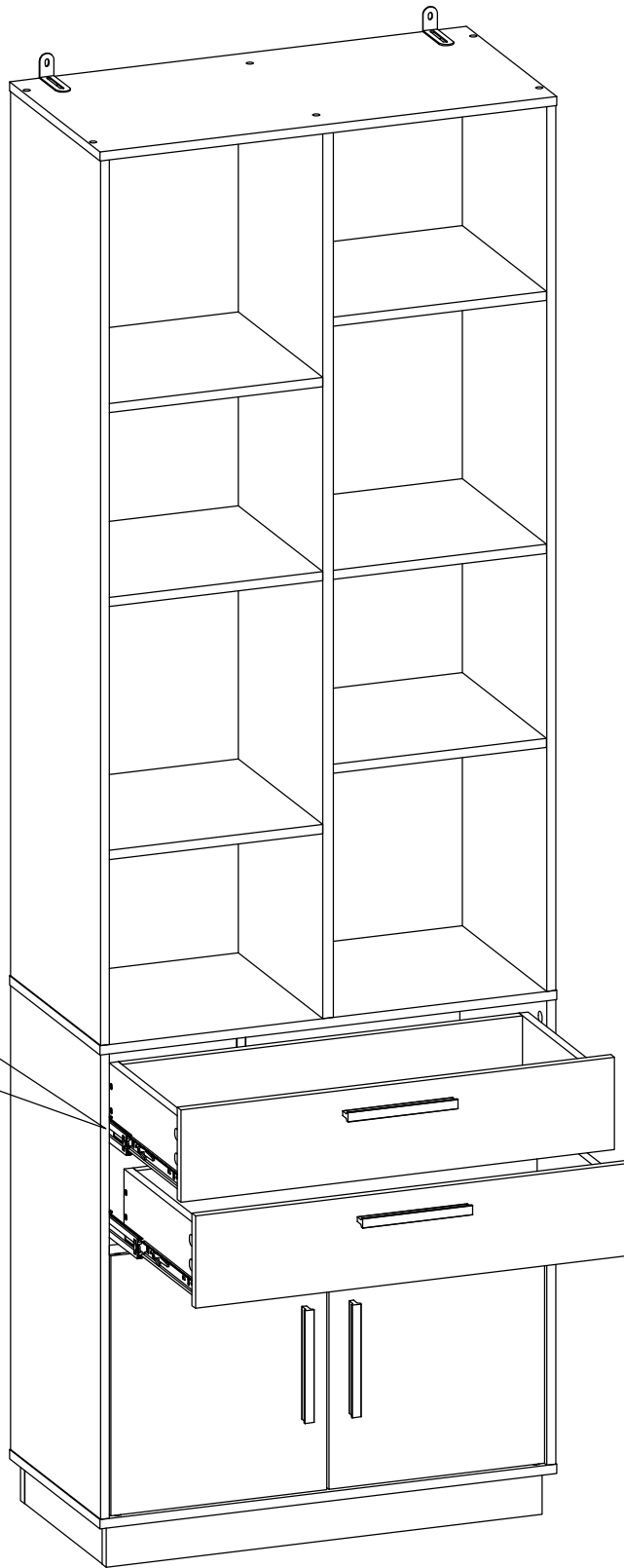
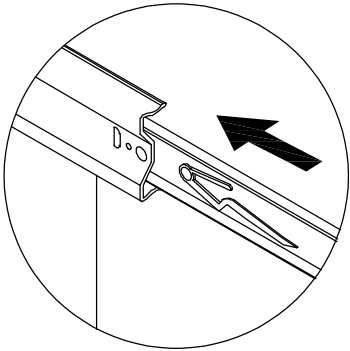
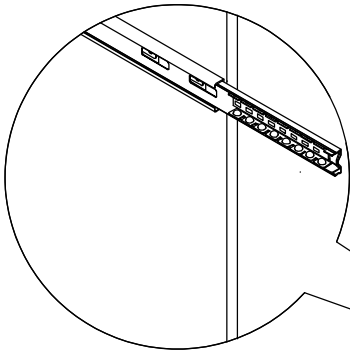
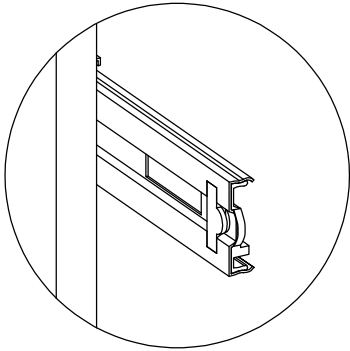
31



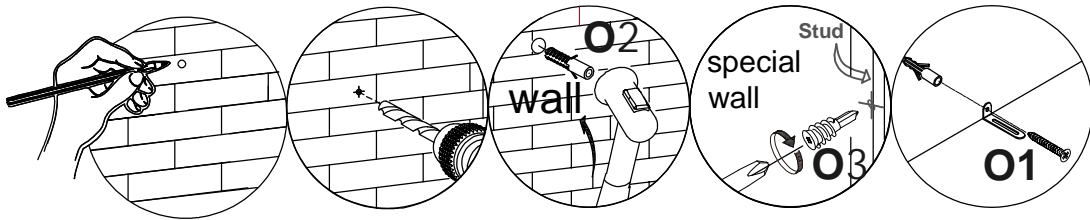
32



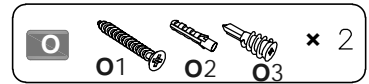
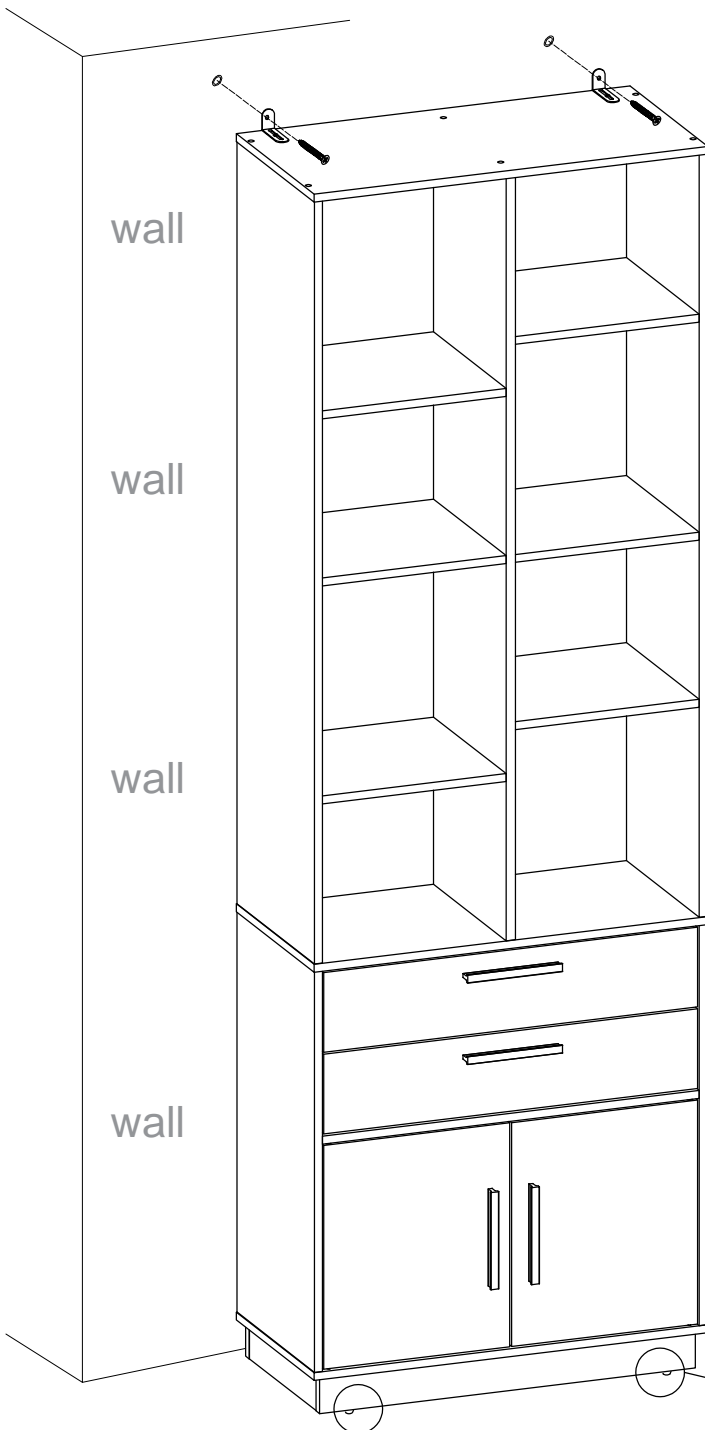
33



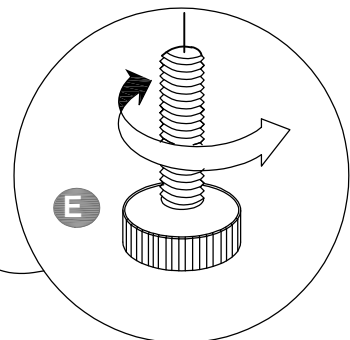
34

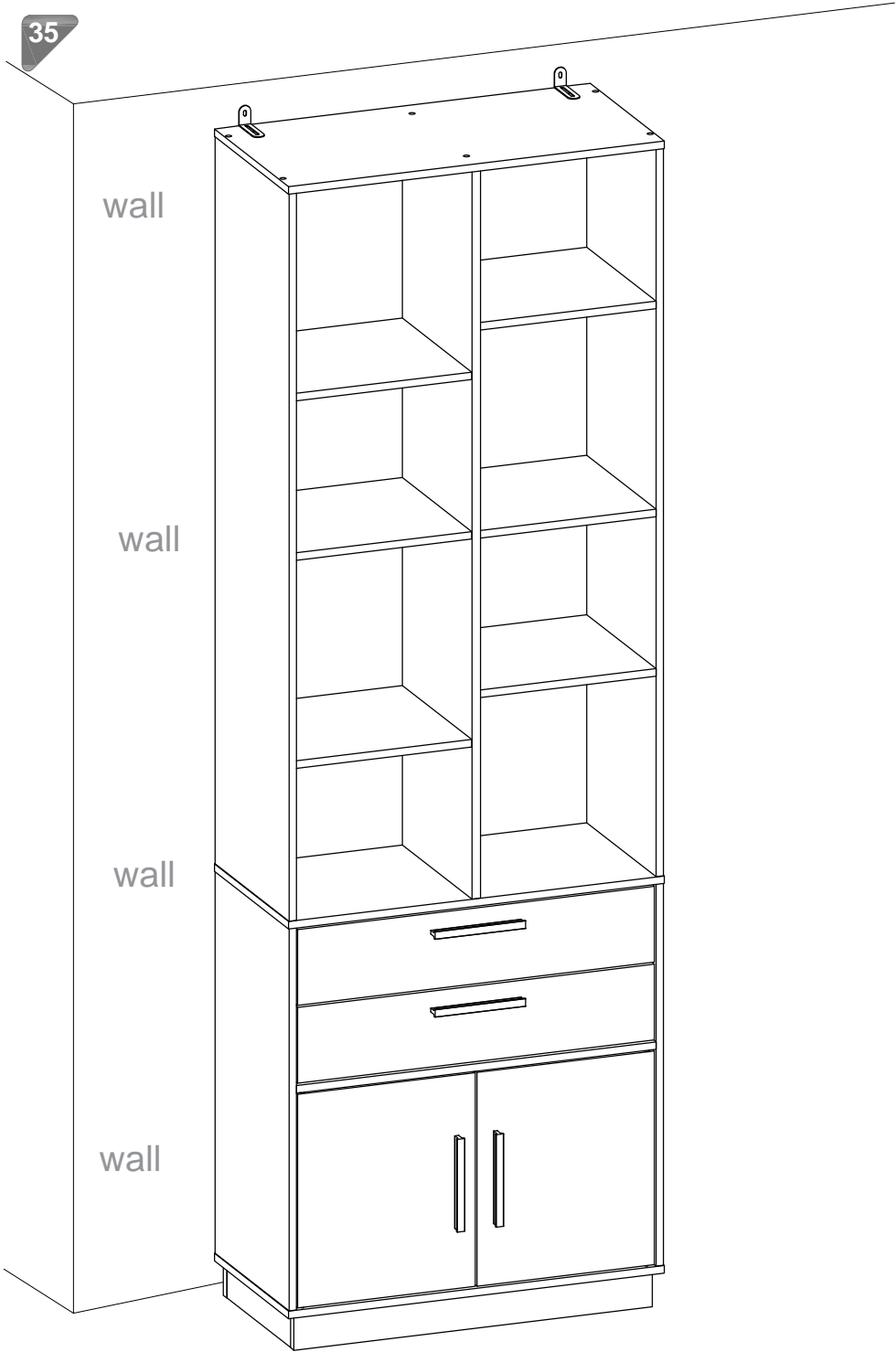


Upon completion of installation, if the product is not level, please refer to Step E to adjust the height of the leveling feet until the product is perfectly horizontal.



After assembly: If the product is not balanced, please adjust the adjustable feet "E" to the appropriate position





Once the product is secured to the wall, it cannot be moved.

Date of manufacture : 2024/07

Made in Vietnam

