

## ASSEMBLY INSTRUCTIONS

Before assembling your headboard, please read through these instructions carefully and familiarize yourself with the different parts.

**ATTENTION!** If you receive a damaged or defective item, please contact afifurnishings at [customerservice@afifurnishings.com](mailto:customerservice@afifurnishings.com) or 1-800-955-3726



### PARTS LIST

- 1 HEADBOARD PANEL 1 PC
- 2 LEFT LEG 1 PC
- 3 RIGHT LEG 1 PC
- 4 WOOD DOWELS 4 PCS  
(Factory Installed)

Instructions apply for bed sizes  
TWIN > FULL

### HARDWARE

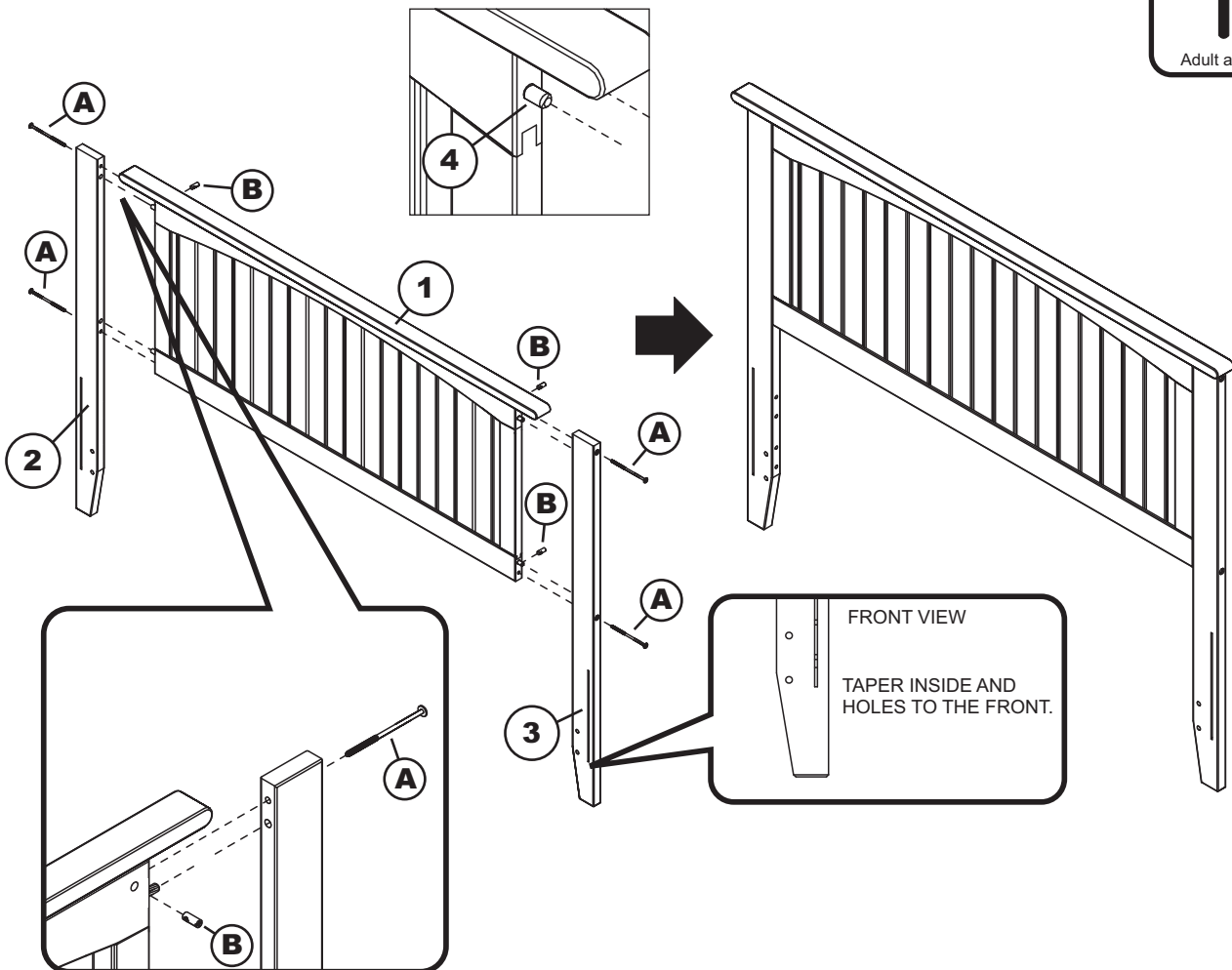
- A JCB M6 X 110mm (4 3/8") - 4 pcs  
Spare - 1 pc
  - B Barrel nut - 4 pcs  
Spare - 1 pc
  - F Allen wrench - 1 pc  
Spare - 1 pc
- HARDWARE FOR METAL BED FRAME

  - C JCB M6 X 25mm (1") - 4 pcs  
Spare - 1 pc
  - D Flat washer - 4 pcs  
Spare - 1 pc
  - E Split washer - 4 pcs  
Spare - 1 pc

NOTE: WE INCLUDE SPARE HARDWARE IN CASE DAMAGE OCCURS DURING ASSEMBLY.

### Step 1

Attach the legs (2) and (3) to headboard panel (1), using JCB (A) and barrel nut (B). Tighten with the Allen wrench (F).



CODE	ITEM	ITEM
HB-NKT	R-28282X	R-28283X

**PO :**

If you purchased a wood headboard to attach to metal bed frame, please refer to page 2.

## ASSEMBLY INSTRUCTION ( TWIN XL )

Before assembling your bed slat kit, please read through these instructions carefully and familiarize yourself with the different parts.

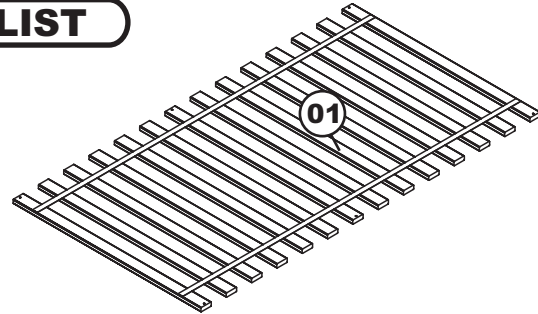
Please note that you will require a Phillips screwdriver.

**ATTENTION!** If you receive a damaged or defective item, please contact afifurnishings at customerservice@afifurnishings.com or 1-800-955-3726



### PARTS LIST

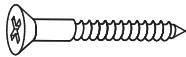
**01 SLAT KIT 1 SET**



CODE	ITEM
SL-PF	E-65100

NOTE: WE INCLUDE SPARE HARDWARE IN CASE DAMAGE OCCURS DURING ASSEMBLY.

**A**



1 1/4" Wood screw - 6 pcs Spare - 2 pcs

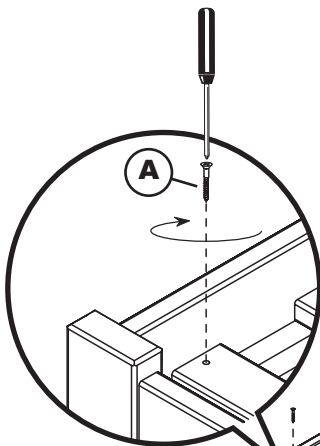
**HARDWARE**

### Step 1

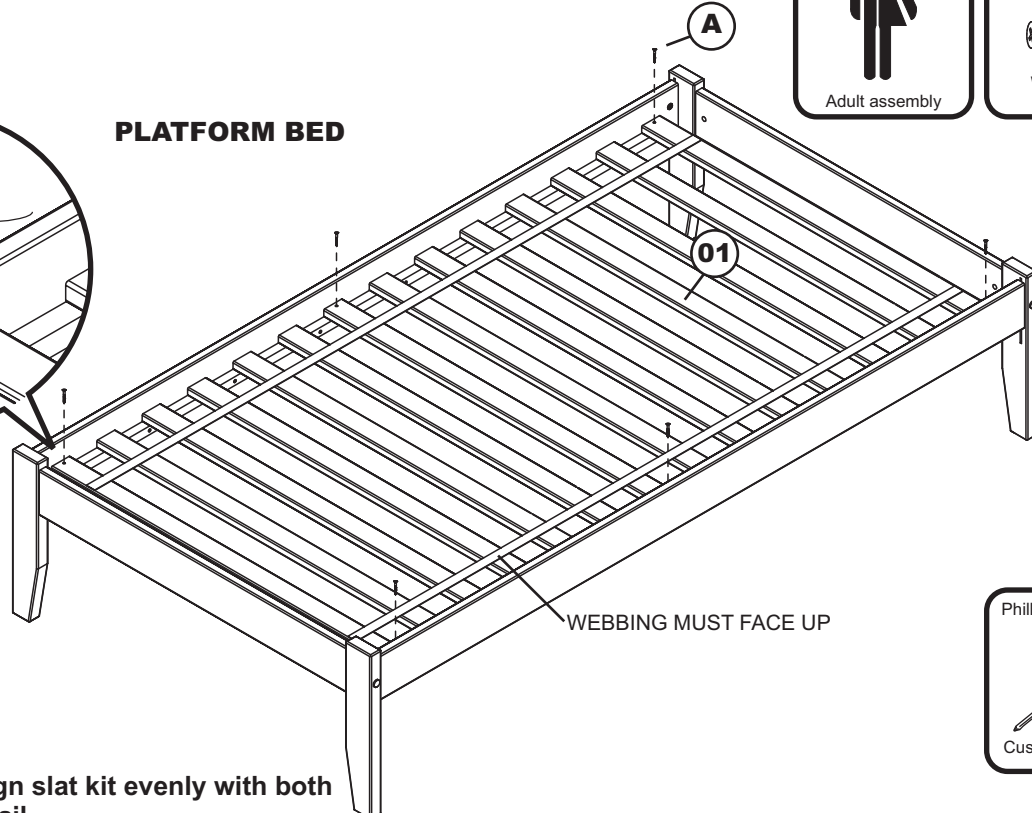
Assemble bed frame according to assembly instructions.

### Step 2

Lay the slat kit onto the bed.



**PLATFORM BED**



**Be sure to align slat kit evenly with both ends of side rail.**

Screw slat kit (01) to side rail, using wood screw (A).

Tighten with Phillips screwdriver.

Be sure the space between slats is even.

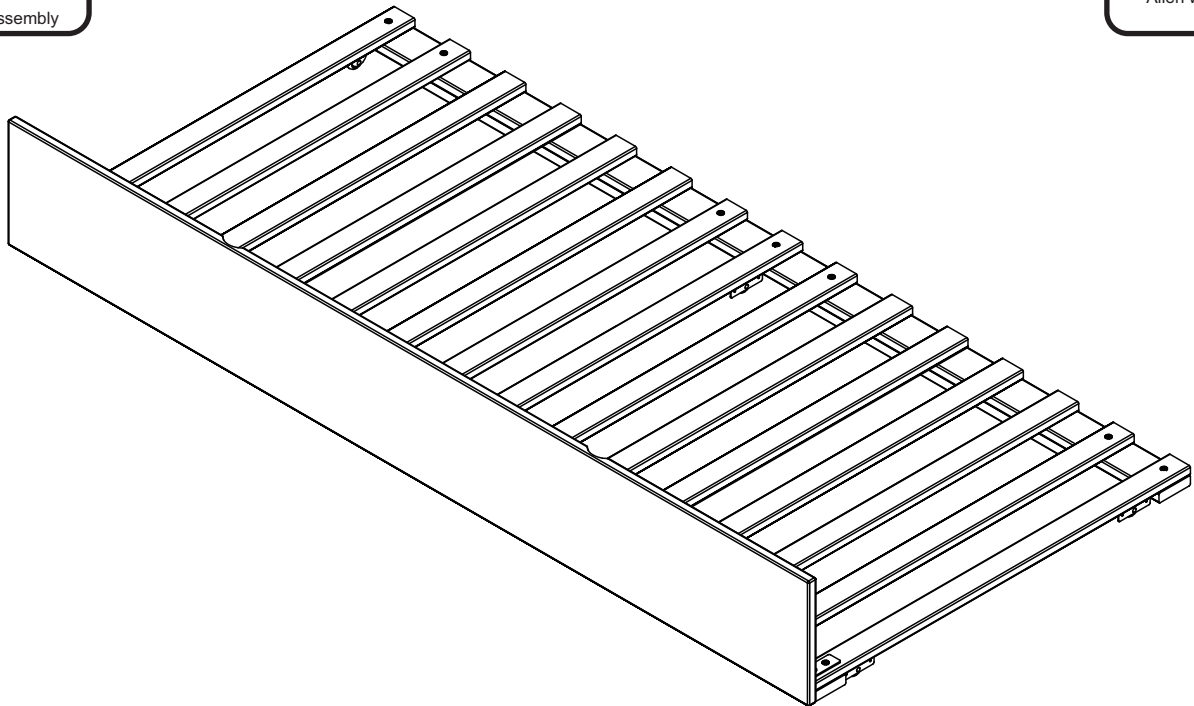
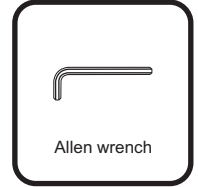
**NOTE: WEBBING MUST FACE UP**

**PO :**

## ASSEMBLY INSTRUCTIONS TWIN XL

Before assembling your Trundle bed, please read through these instructions carefully. Familiarize yourself with the different parts.

**ATTENTION!** If you receive a damaged or defective item, please contact afifurnishings at customerservice@afifurnishings.com or 1-800-955-3726

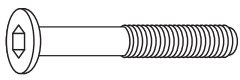


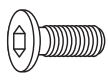
CODE	ITEM
ST-TD-UBN	E-6711X

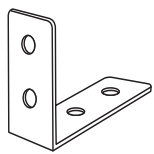
**PO :**

## HARDWARE

NOTE: WE INCLUDE SPARE HARDWARE IN CASE DAMAGE OCCURS DURING ASSEMBLY.

**A**  JCB M6 X 1 5/8" ( 40mm ) - 17 pcs  
Spare - 1 pc

**B**  JCB M6 X 5/8" ( 15mm ) - 6 pcs  
Spare - 1 pc  
Fix L bracket to front panel

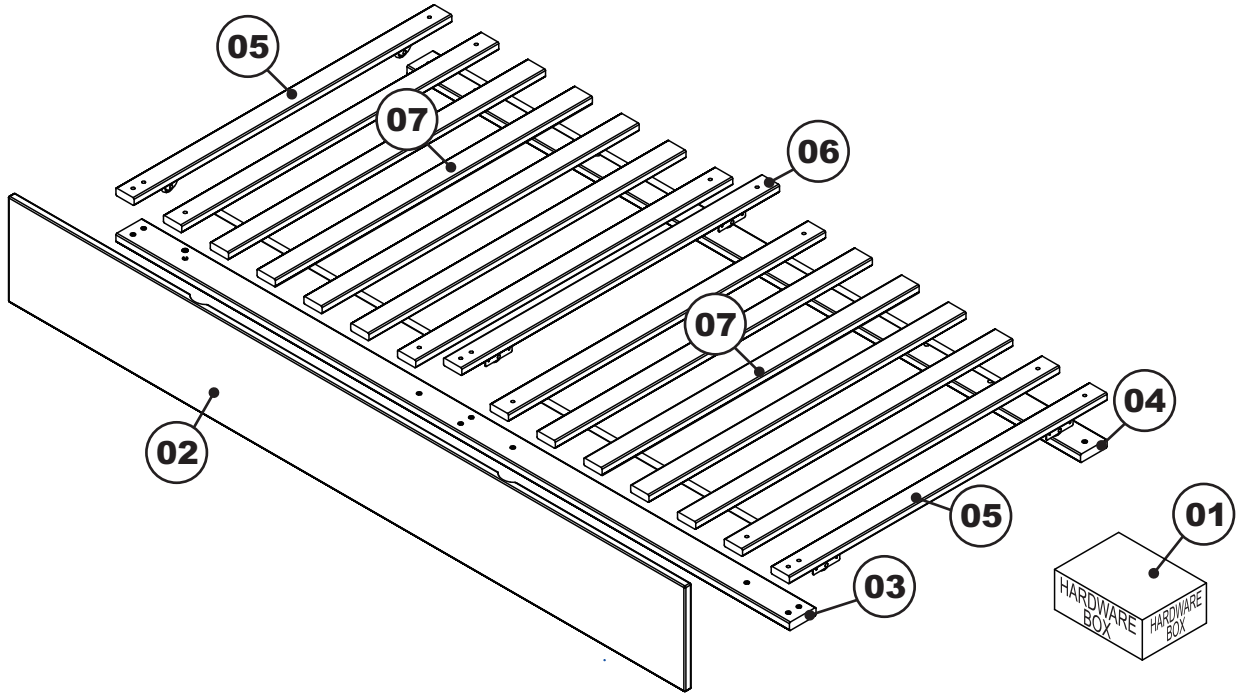
**C**  L Bracket - 3 pcs

**D**  Allen wrench - 1 pc  
Spare - 1 pc

TWIN XL

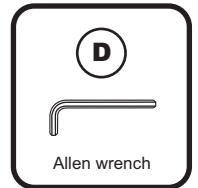
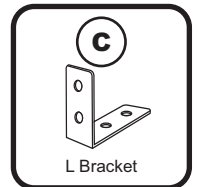
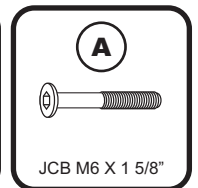
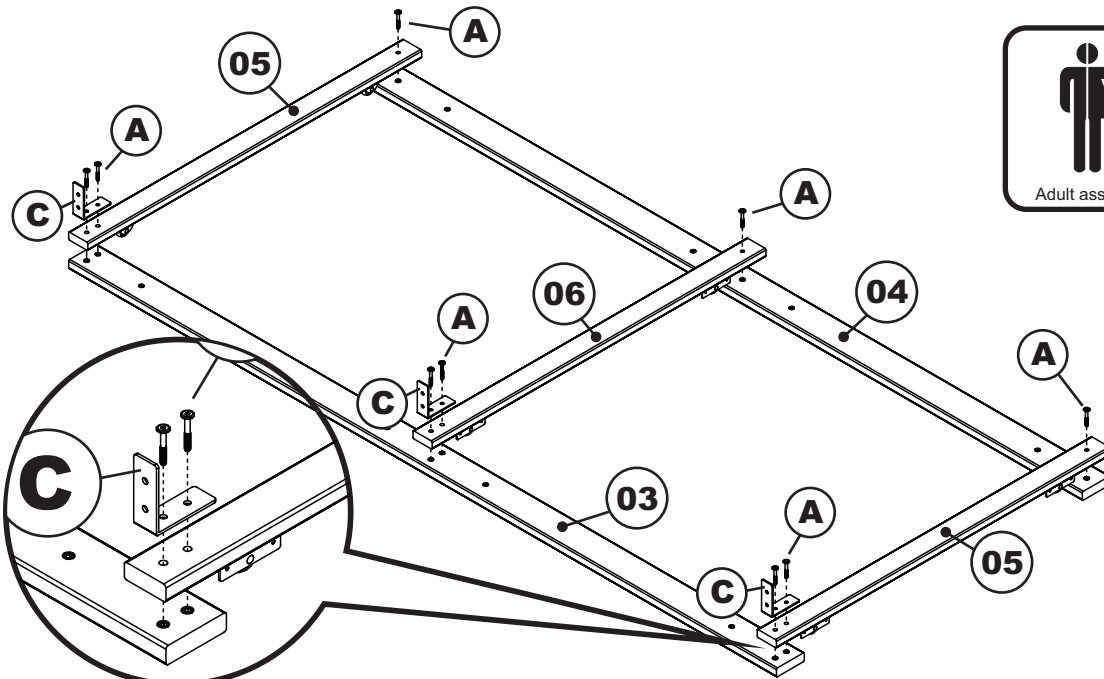
PARTS LIST

<b>01</b>	<b>HARDWARE</b>	<b>1 BOX</b>	<b>05</b>	<b>SIDE CROSS RAIL</b>	<b>2 PCS</b>
<b>02</b>	<b>FRONT PANEL</b>	<b>1 PC</b>	<b>06</b>	<b>CENTER CROSS RAIL</b>	<b>1 PC</b>
<b>03</b>	<b>FRONT RAIL</b>	<b>1 PC</b>	<b>07</b>	<b>SLAT KIT</b>	<b>2 SET</b>
<b>04</b>	<b>BACK RAIL</b>	<b>1 PC</b>			



**Step 1**

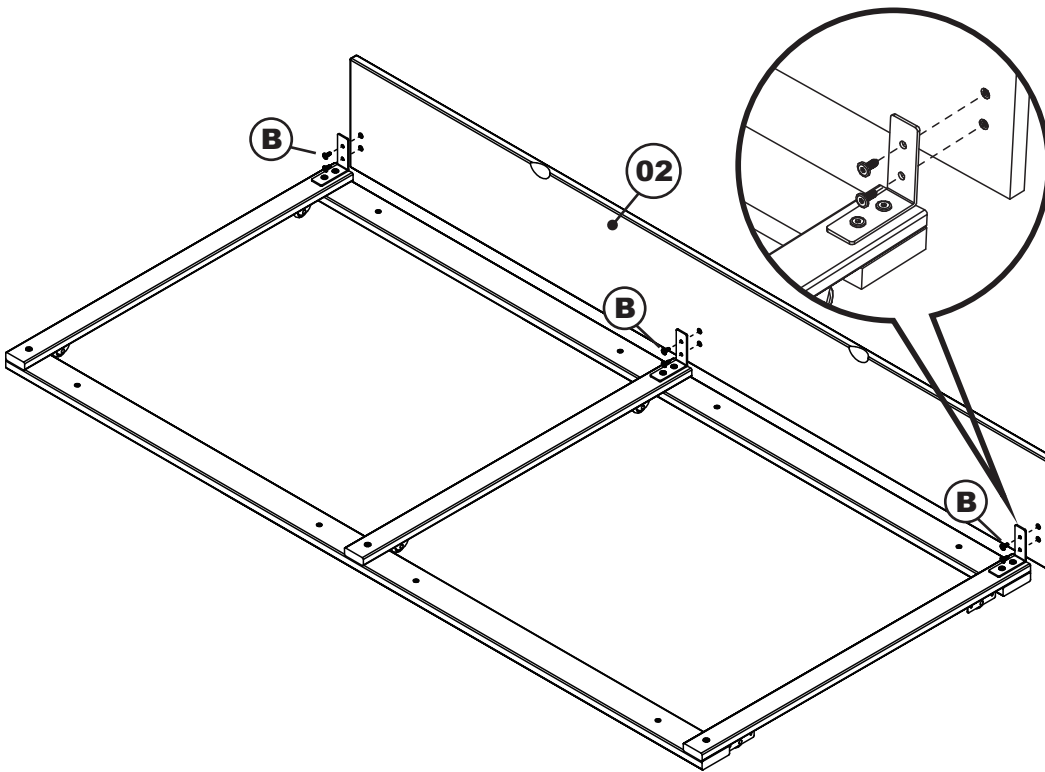
Attach the side cross rails (05) and center cross rail (06) to the front and back rail (03)(04), using L bracket (C), JCB M6 X 1 5/8" (A). Tighten with the Allen wrench (D).



## TWIN XL

### Step 2

Attach the front panel (02) to the front rail as shown, using JCB M6 X 5/8" (B). Tighten with the Allen wrench (D).



Adult assembly

B



JCB M6 X 5/8"

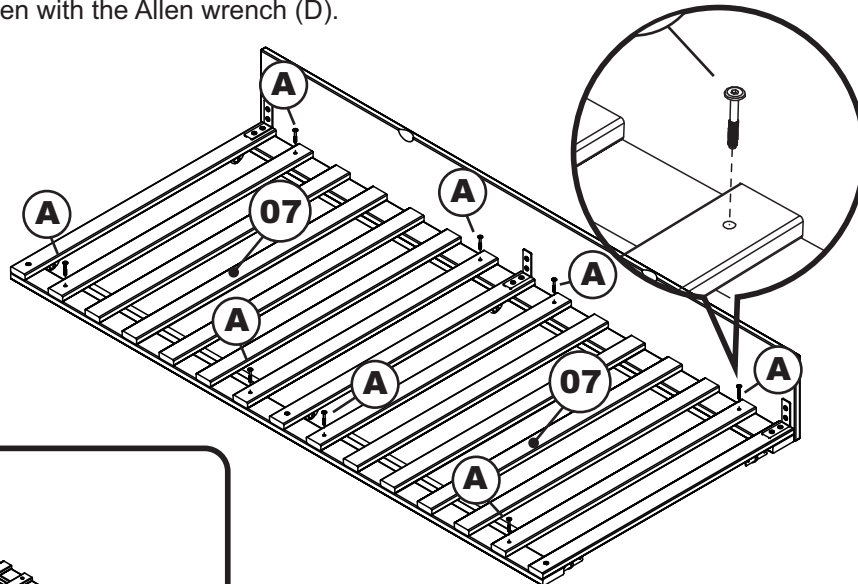
D



Allen wrench

### Step 3

Lay the slat kit (07) onto the rail assembly as shown, using JCB M6 X 1 5/8" (A). Tighten with the Allen wrench (D).



Adult assembly

A

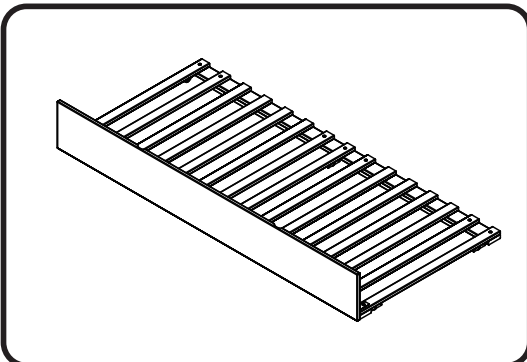


JCB M6 X 1 5/8"

D



Allen wrench



### Congratulations!

Your Trundle bed is now ready for use.

We recommend that you periodically check that all screws are tight and all parts are secure to ensure lasting safety.