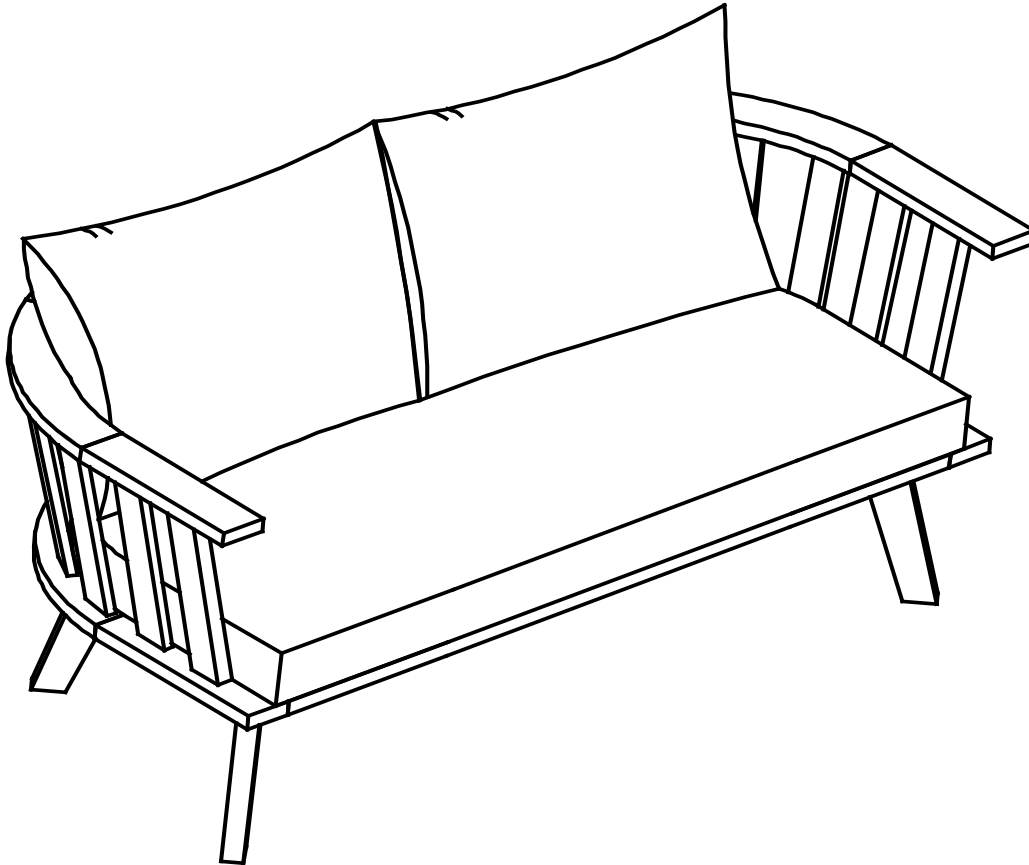


# Assembly Instructions

## Loveseat

**Caution: You must read this before you proceed**

**Please look underneath the seat frame for hardware packs.**

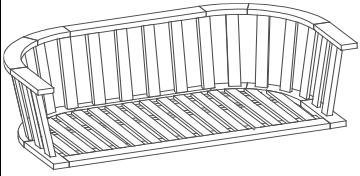
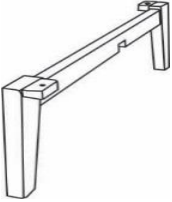
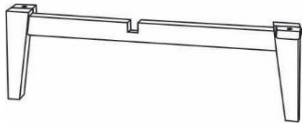
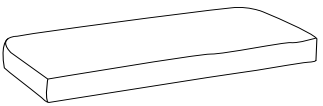
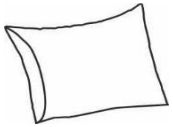


**Caution: This Loveseat is NOT a TOY**




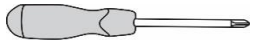
**Keep your child/children at bay during the assembly process.**

**Whenever moving/lifting the Loveseat and to prevent damage to the Loveseat, two adults are needed to execute these actions.**

# Part List

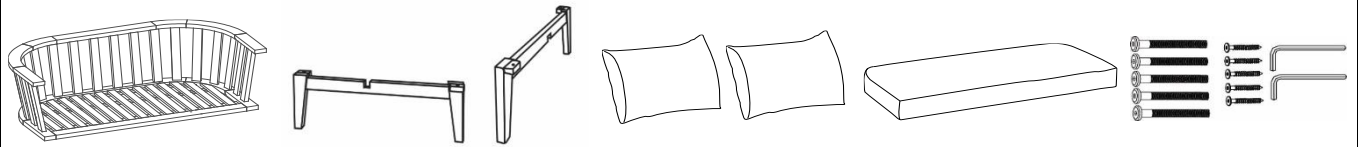
Label	Picture	Description	QTY
A		Seat Frame	1
B		Upper Leg Panel	1
C		Lower Leg Panel	1
D		Seat Cushion	1
E		Back Cushion	2

# Hardware

Label	Picture	Description	QTY
①		Bolt (M6x65mm)	5
②		Screw (M4x30mm)	5
③		Allen Key	2
④		Screw Driver (not provided)	1

# Assembly Preparation

Before Beginning Assembly:



- Read instructions, cover to cover-



- Have 2 adults on hand for assembly-



- Do not assemble on flooring or carpet-



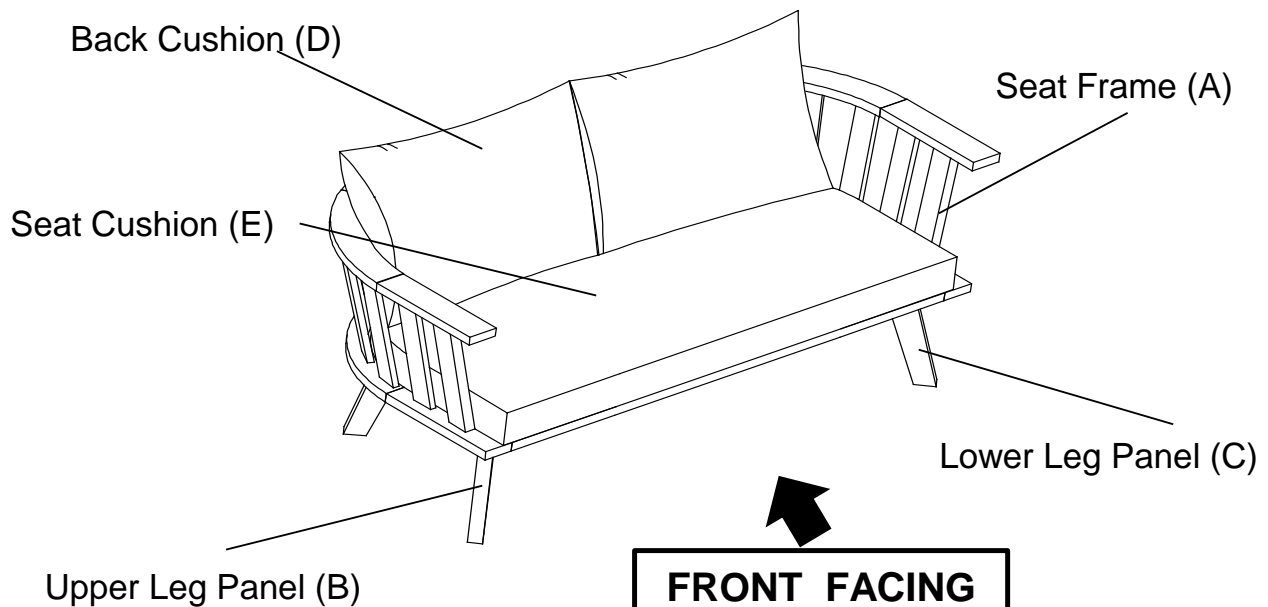
- Assemble on a clean non-marring surface (packing foam)-



- Save all packaging until finished-

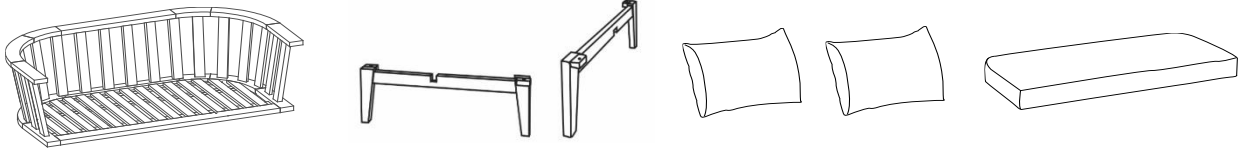
# Assembly Steps

## Overview



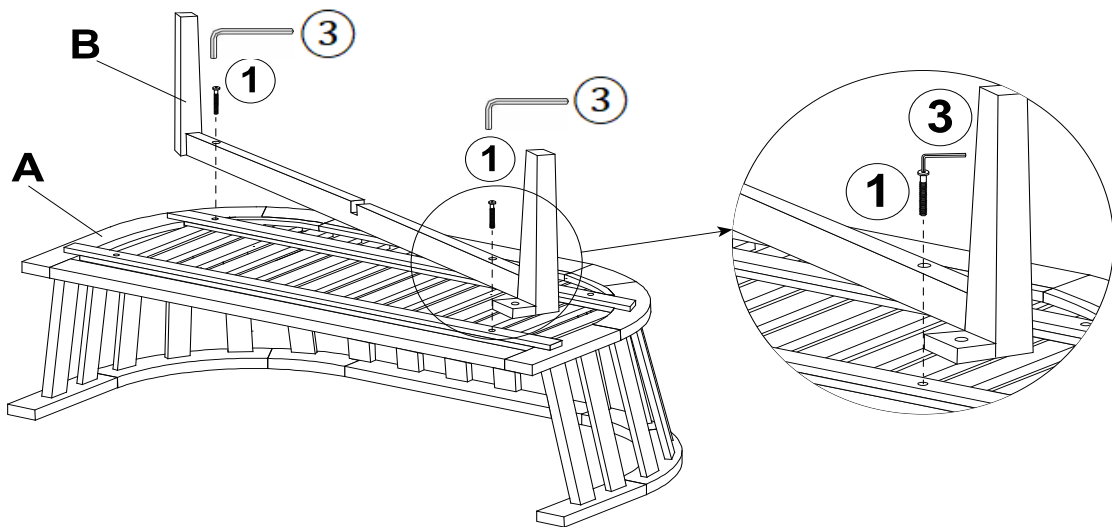
This Loveseat has multiple parts and may require up to 30 minutes to assemble. To give you an overview of the Loveseat parts, the above picture is to help you put the various parts into perspective. Please read through the instructions below to familiarise yourself with the parts and steps before assembly.

## Step 1



Unpack and place all parts on a clean, non-marring surface.

## Step 2

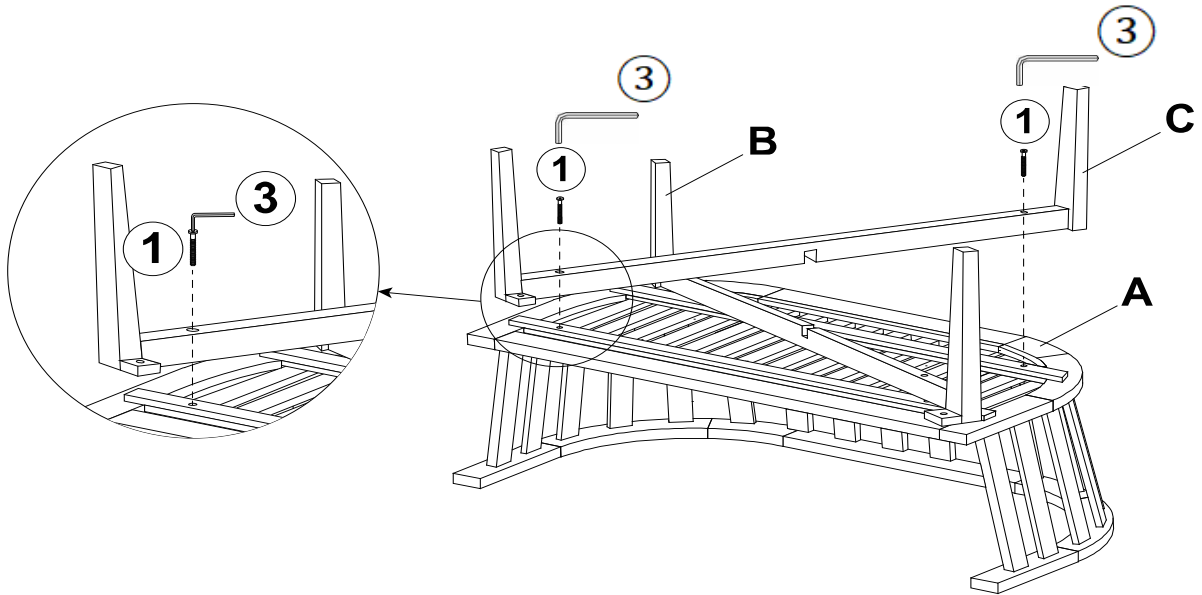


Place the Seat Frame (A) facedown on a clean, non-marring surface.  
Attach the Upper Leg Panel (B) to the Seat Frame(A) using Bolts (①) and the Allen Key(③) as shown above.

**Do not fully tighten the Bolts.**

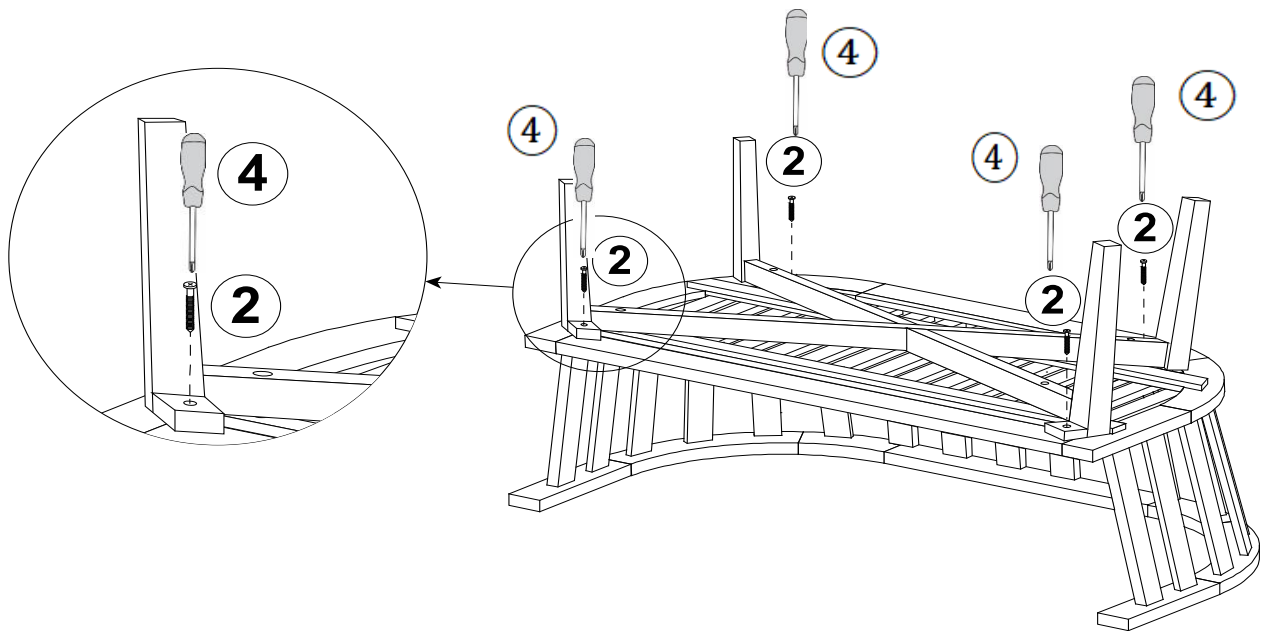
**Caution: Please don't place your hands between the gaps to avoid injury.**

### Step 3



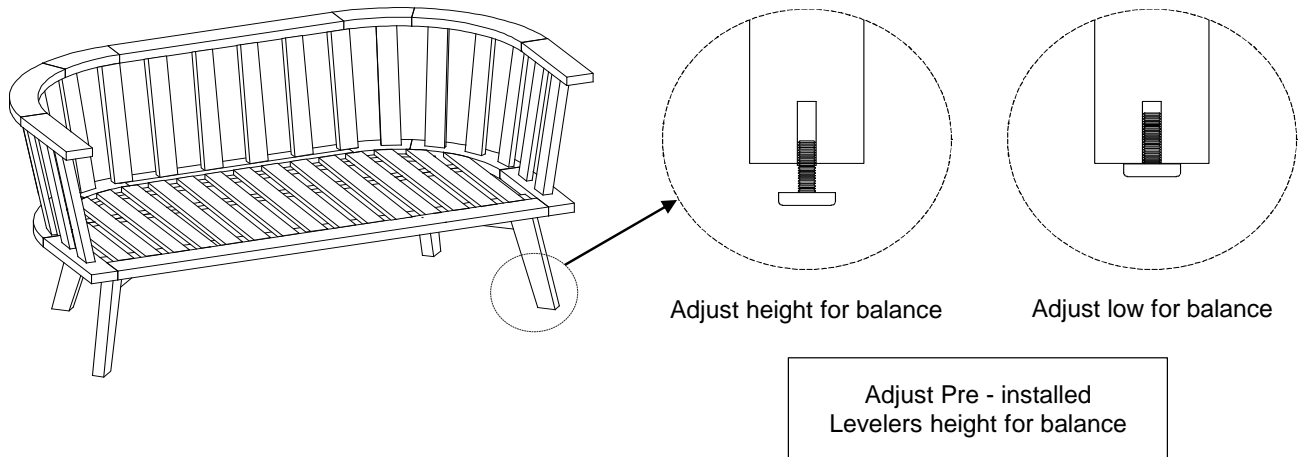
First, insert the Lower Leg Panel (C) into the Upper Leg Panel (B)  
Then, attach the Lower Leg Panel (C) into the Seat Frame (A) using Bolts (1) and the Allen Key (3).  
**Do not fully tighten the Bolts.**

### Step 4



Secure the Upper Leg Panel(B) and the Lower Leg Panel(C) into the Seat Frame (A) using Screws (2) and a Screwdriver (not provided) (4) as shown above.  
**Do not fully tighten the Screws.**

## Step 5



Place the Loveseat onto a flat, level surface.

Then EXERT pressure floorwards onto the Loveseat with both hands.

This pressure will help the Loveseat reach full alignment at all joints.

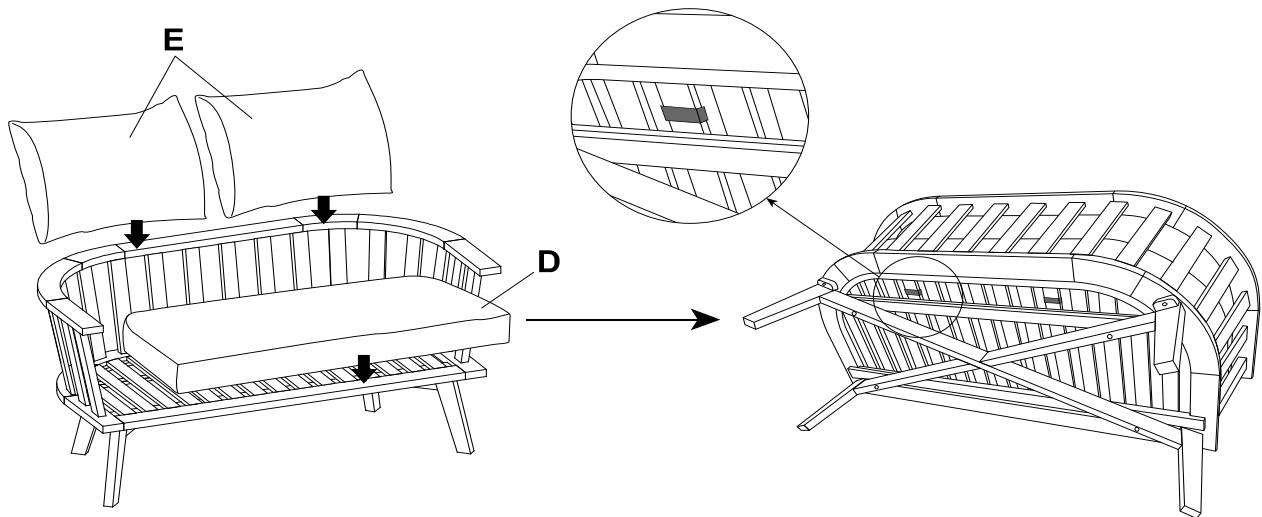
In a sequential manner, gradually tighten all Bolts screws and at all joints until evenly secured.

Inspect the Loveseat and make sure all parts are adequately connected.

Adjust the Levelers until the Loveseat is level with the ground.

To adjust the Levelers, get assistance from an adult partner to lift/lean and hold the Loveseat while you are working.

## Step 6



Place the Loveseat on a LEVEL SURFACE.

Inspect it and make sure all parts are adequately connected.

Gently and gracefully, sit into to the Loveseat.

This will help to align all the parts at all joint areas.

Then get off the Loveseat and proceed to tighten the Bolts and Screws in a sequential manner.

When tightening the Bolts and Screws tighten sequentially.

DO NOT tighten any Bolt or Screw fully and then move on towards the next one.

If there are any wobbles after tightening, loosen the Bolts and Screws and execute this same process.

Place the Seat Cushion(D) and Back Cushions(E) onto the Loveseat.










With the help of your adult partner, turn the Loveseat over and Attach the velcro of the Seat Cushion(D) to the Loveseat as shown in the above picture.

Again with the help of your adult partner, turn the Loveseat right side up.

**The Loveseat is ready to be used.**

**Caution: This Loveseat can only be used on a flat, level surface.**

## Care & Maintenance

-  ● Do not put hot items directly on furniture surface
  -  ● Do not clean furniture with harsh cleansers or polish.
  -  ● To obtain the longest lifespan of your outdoor products, minimizing exposure to direct sunlight is recommended.
  -  ● Children should not climb or jump on the furniture.
  -  ● Do not write on furniture without a padded barrier to protect the surface.
  -  ● To obtain the longest lifespan of your outdoor products, avoid extended and lengthy exposure to rain, snow, and direct sunshine. Whenever possible cover the product and /or place under patio or awnings.
  -  ● Not for commercial use. For residential use only .
  -  ● Stains may be removed with mild soap solution and damp cloth.
- 
-  ● Dust and pick-up spills using a clean, non-colored, lint-free cloth .