

ASSEMBLY INSTRUCTIONS
ROCKING CHAIR



GENERAL INFORMATION & TIPS

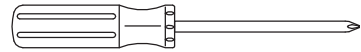
1. Please read the assembly instructions prior to assembling the Rocking chair.
2. To avoid damage, assemble the rocking chair on a non-abrasive surface such as carpet.
3. Make sure all bolts tightly fastened before the rocking chair is used.
4. This rocking chair is not for commercial use.

Please make sure you have all parts before beginning assembly. Please wait until all steps are completed before tightening bolts.


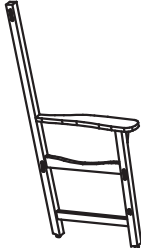
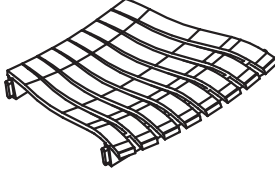
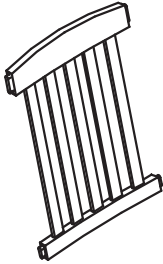
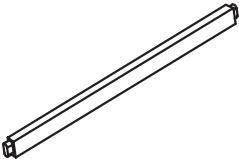
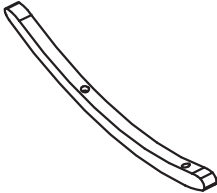

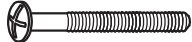

TOOLS REQUIRED

1. 8" Philips screwdriver (Not provided).
- For tightening all bolts.

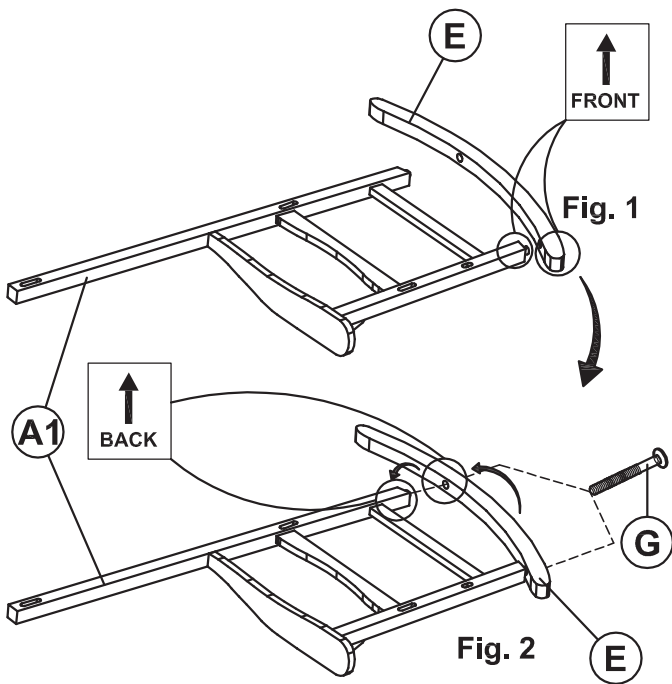
2. Rubber Mallet (Not provided).
- For tapping in the wooden caps.



PARTS AND HARDWARE LIST

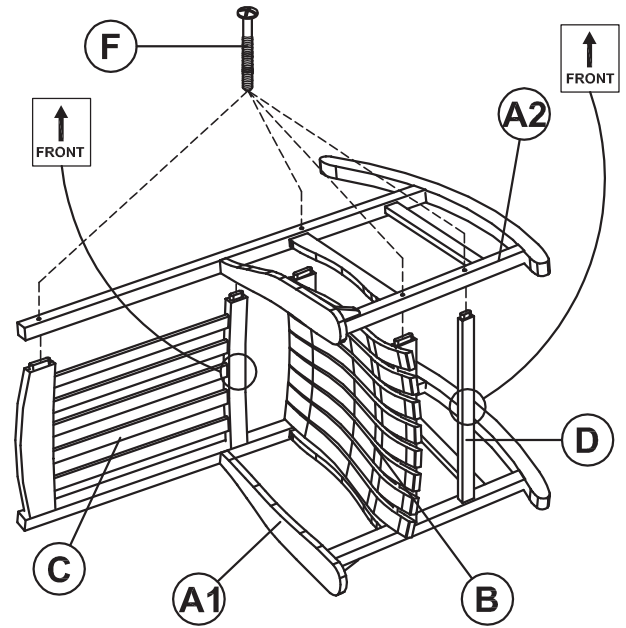
A1. Right side frame	A2. Left side frame	B. Seat	C. Back support
			
Qty : 1 Pc	Qty : 1 Pc	Qty : 1 Pc	Qty : 1 Pc
D. Apron	E. Rocker	F. 1 1/4" Bolt	G. 1 3/4" Bolt
			
Qty : 1 Pc	Qty : 2 Pcs	Qty : 8 Pcs + 1	Qty : 4 Pcs + 1
H. Wooden cap			
			
Qty : 8 Pcs + 1			

STEP 1



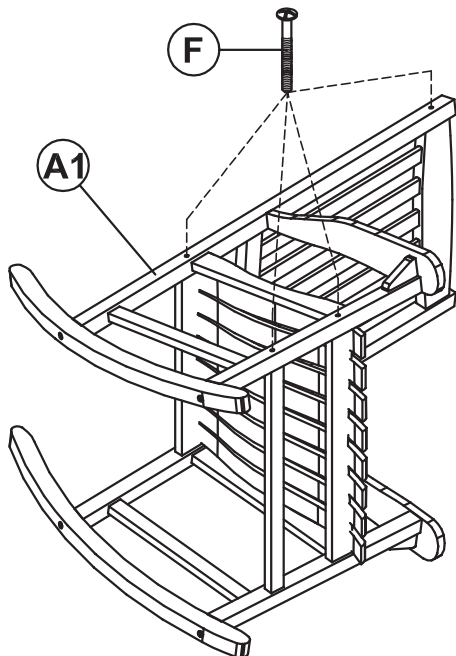
Attached each rocker (E) to right and left side frame (A1 & A2) as picture shown, connecting front of rocker to front legs first then the back of rockers. Secure connections with 1 3/4" Bolts (G).

STEP 2



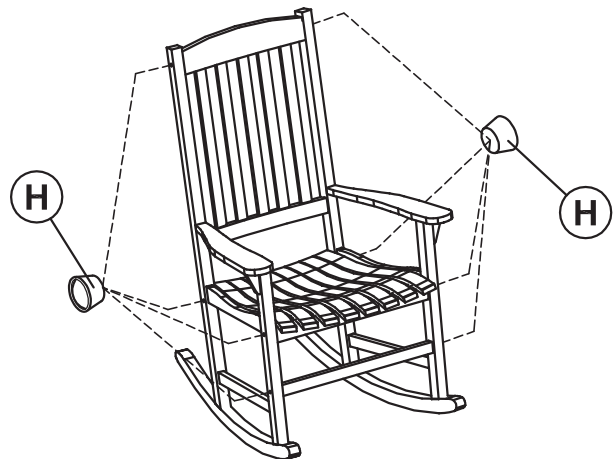
Install Seat (B), back support (C), and Apron (D) into corresponding holes of right side frame (A1). Attach the left side frame (A2) onto seat (B), back support (C), and apron (D). Secure left side frame (A2) using 1 1/4" bolts (F), as shown.

STEP 3



Invert the chair and repeat step 2 procedure to secure frame.

STEP 4



- Upright the chair.
- Make sure all parts are connected and tighten all bolts completely using screwdriver. Tap in the wooden caps (H) to cover bolts head using rubber mallet.

CONGRATULATION !

THE ROCKING CHAIR IS NOW READY FOR USE.