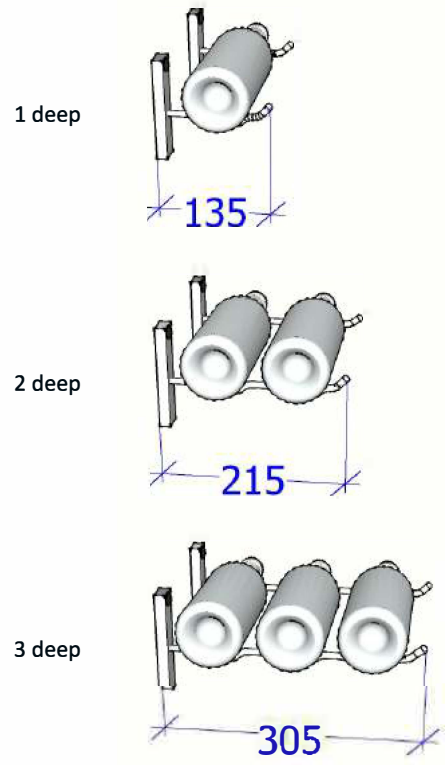
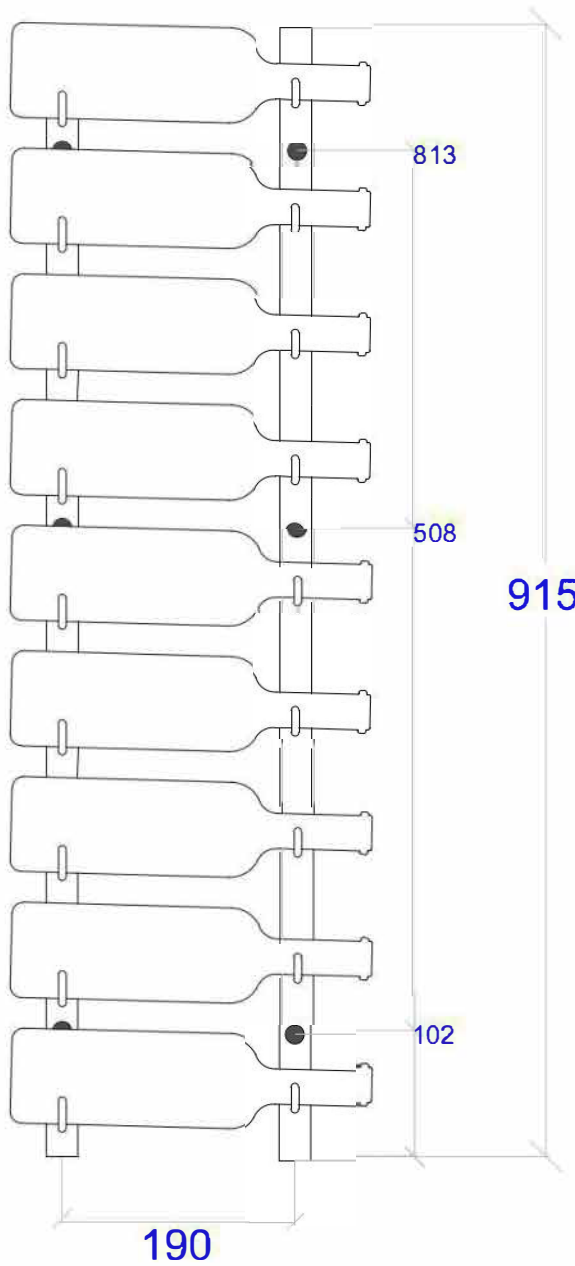


Wall Series - Spec Sheet

WS3x 915mm wall mounted 9 bottle high wine rack

Height	Depth	Capacity	Width
915mm	135mm (1)	9 bottles	330mm minimum
	215mm (2)	18 bottles	
	305mm (3)	27 bottles	



Standard column width is 330mm (can be reduced by interleaving)
 Wall series racks come in 3, 6, 9 & 12 bottle high versions (each 1, 2 or 3 deep)
 Wall series kits combine these to create 15, 18, 21 & 24 high displays

S P R I N G C O M P S T M T S