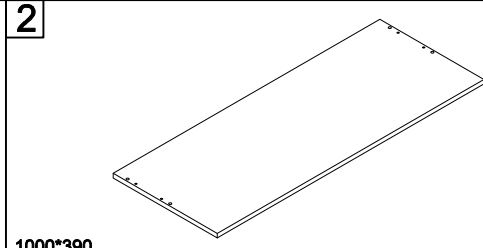
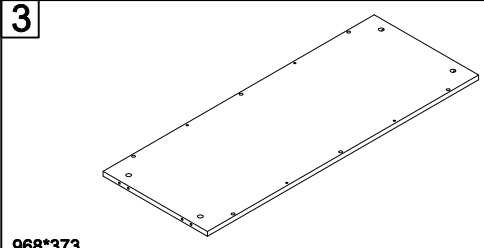


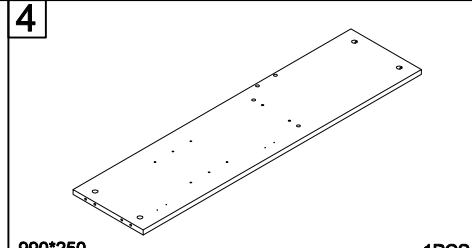
1 1000*250 1PCS



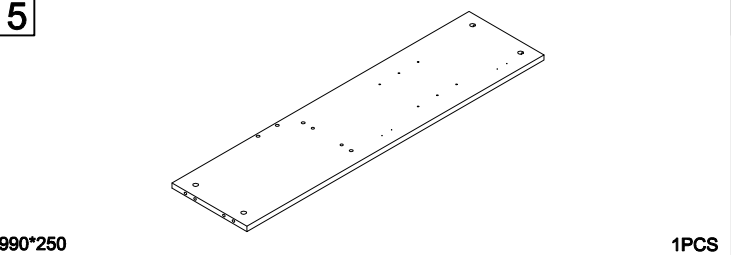
2 1000*390 1PCS



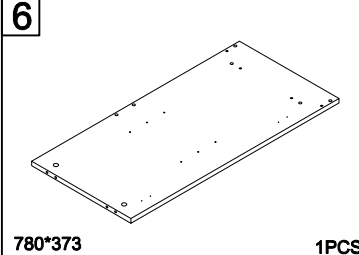
3 968*373 1PCS



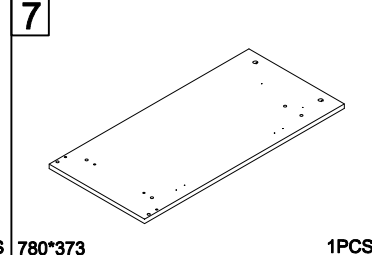
4 990*250 1PCS



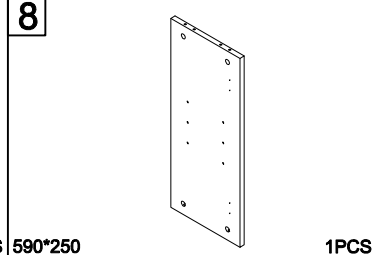
5 990*250 1PCS



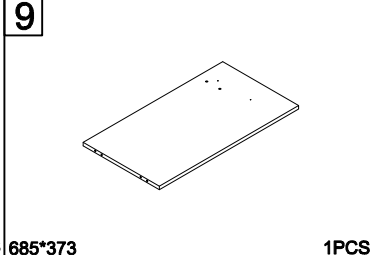
6 780*373 1PCS



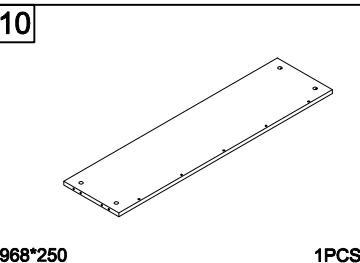
7 780*373 1PCS



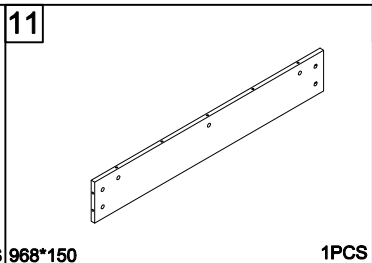
8 590*250 1PCS



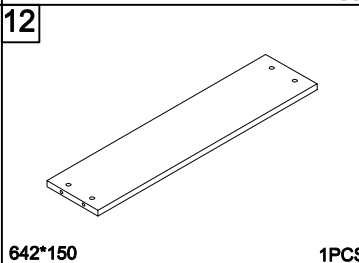
9 685*373 1PCS



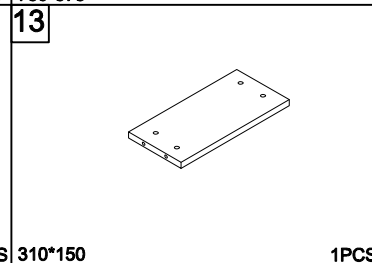
10 968*250 1PCS



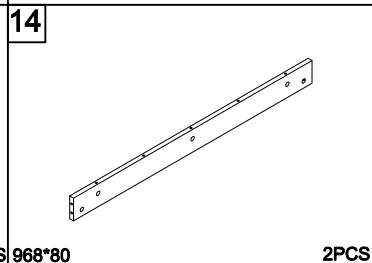
11 968*150 1PCS



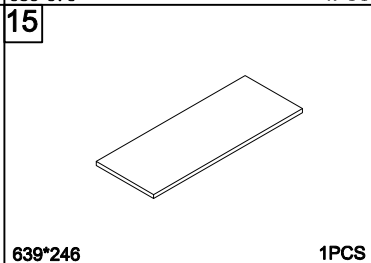
12 642*150 1PCS



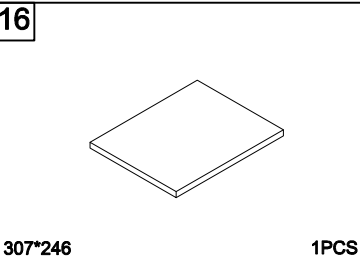
13 310*150 1PCS



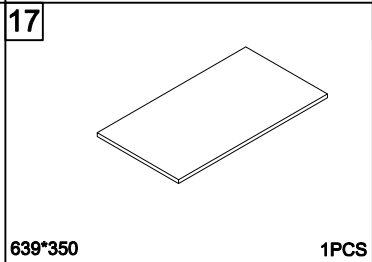
14 968*80 2PCS



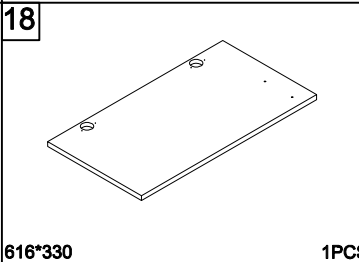
15 639*246 1PCS



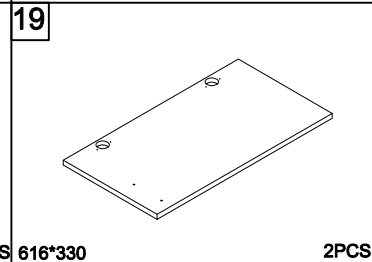
16 307*246 1PCS



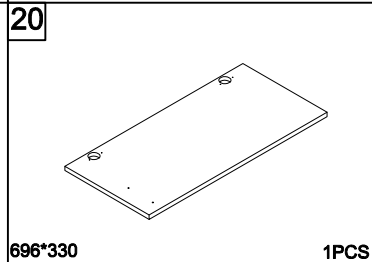
17 639*350 1PCS



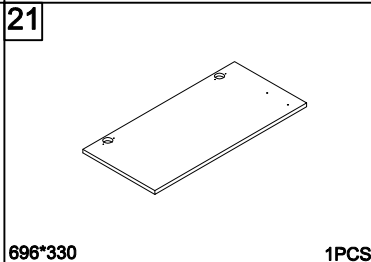
18 616*330 1PCS



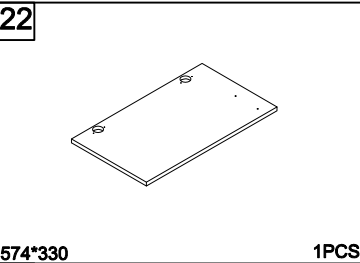
19 616*330 2PCS



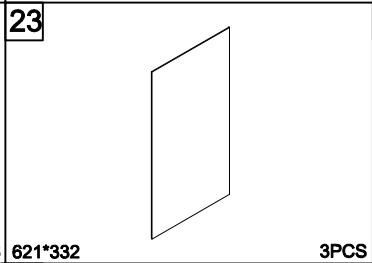
20 696*330 1PCS



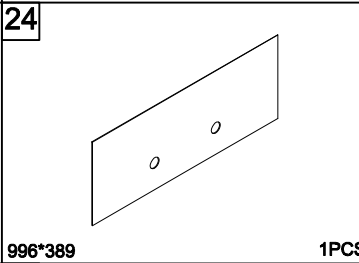
21 696*330 1PCS



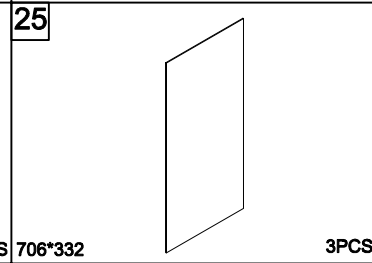
22 574*330 1PCS



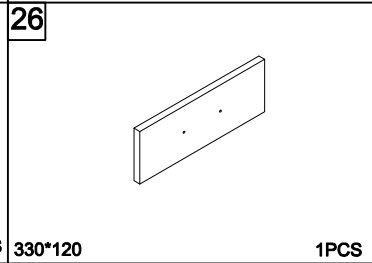
23 621*332 3PCS



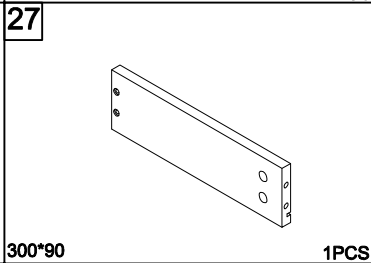
24 996*389 1PCS



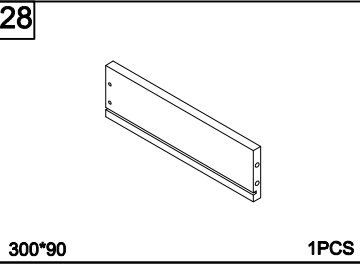
25 706*332 3PCS



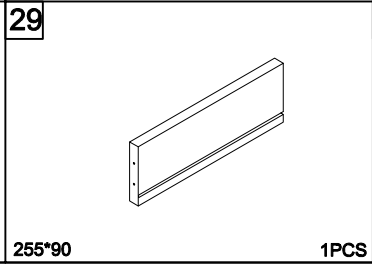
26 330*120 1PCS



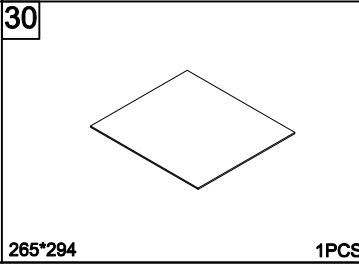
27 300*90 1PCS



28 300*90 1PCS



29 255*90 1PCS



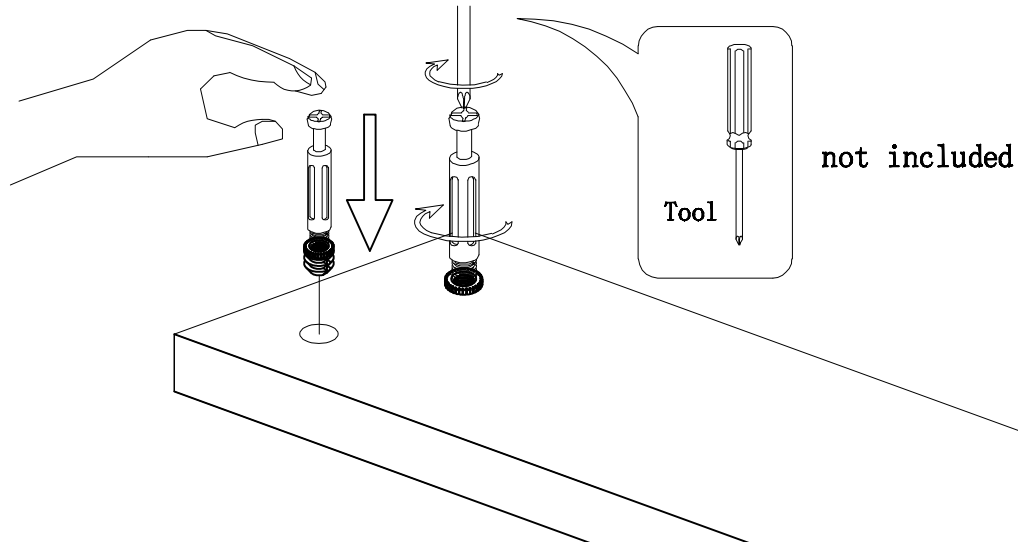
30 265*294 1PCS



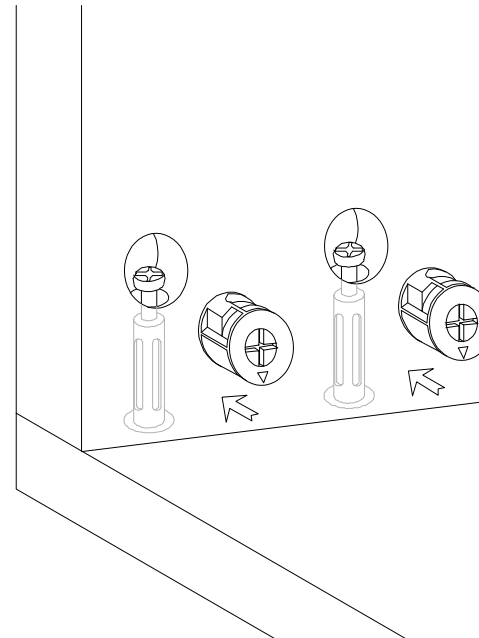
Hardware installation demonstration

NOTE: Please make sure "A" hardware tightened and can't be pulled out!

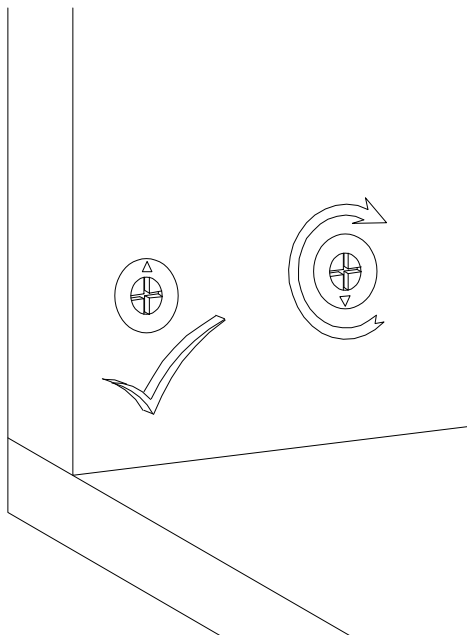
I



II

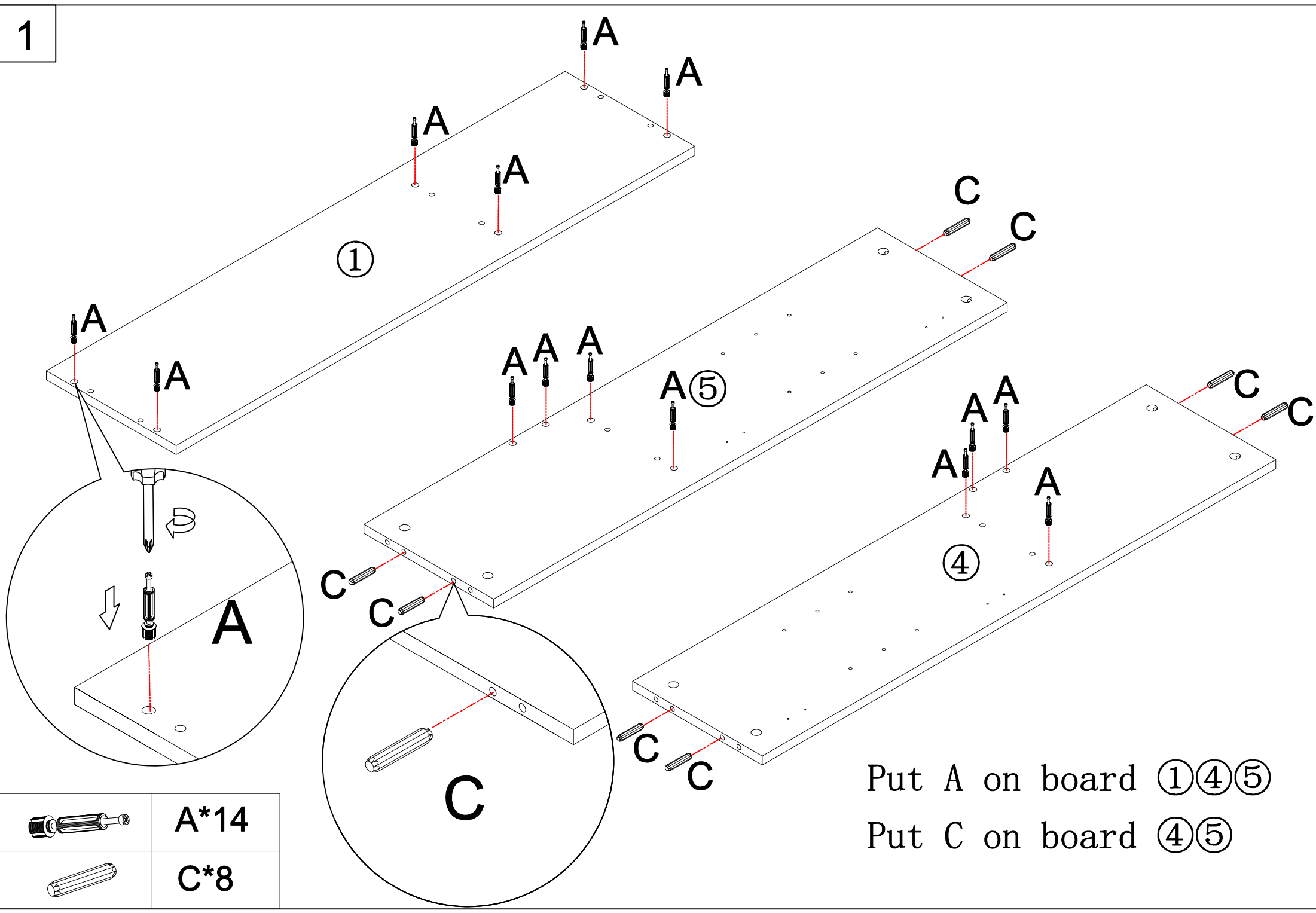


III



IV

1



A*14

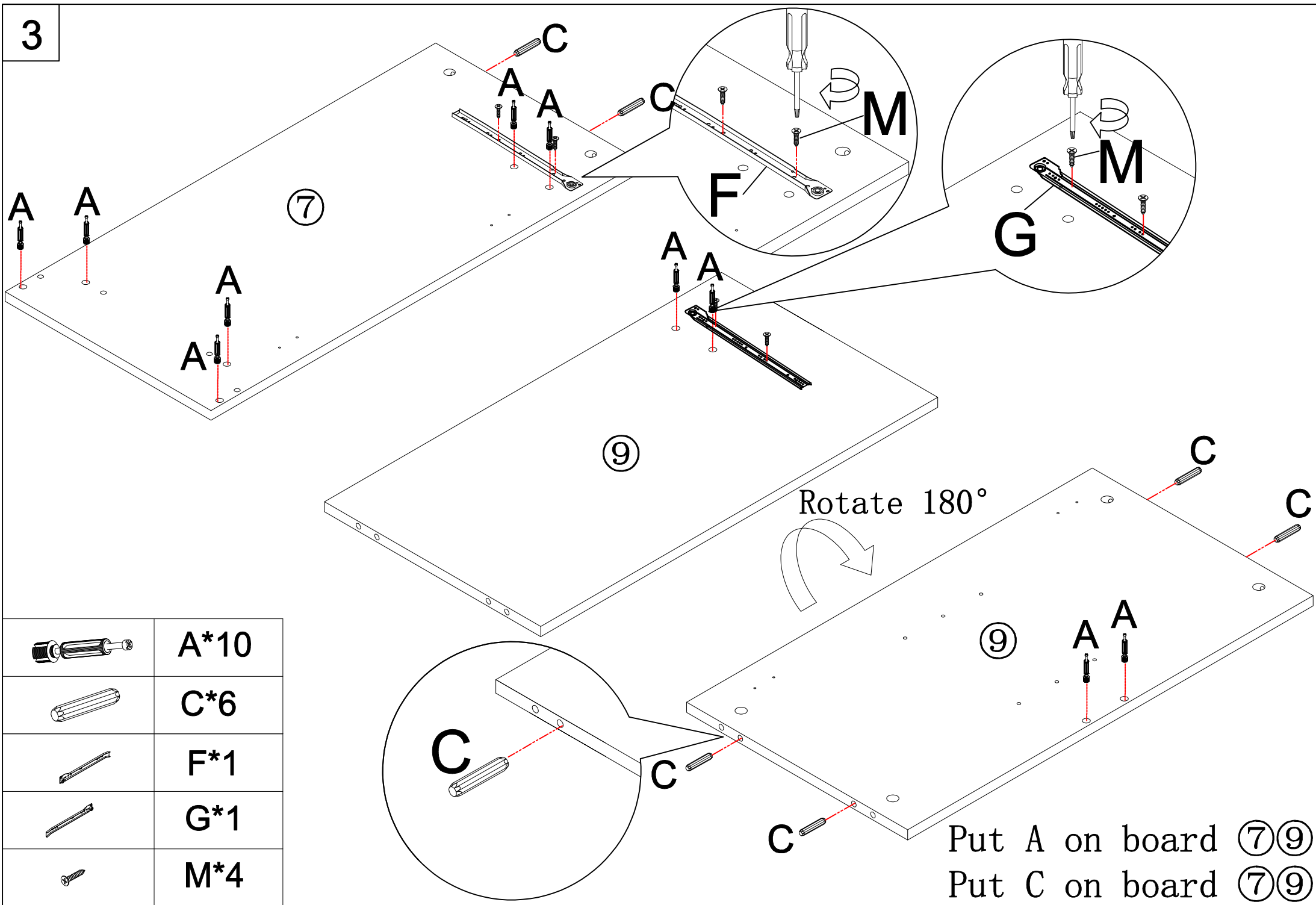


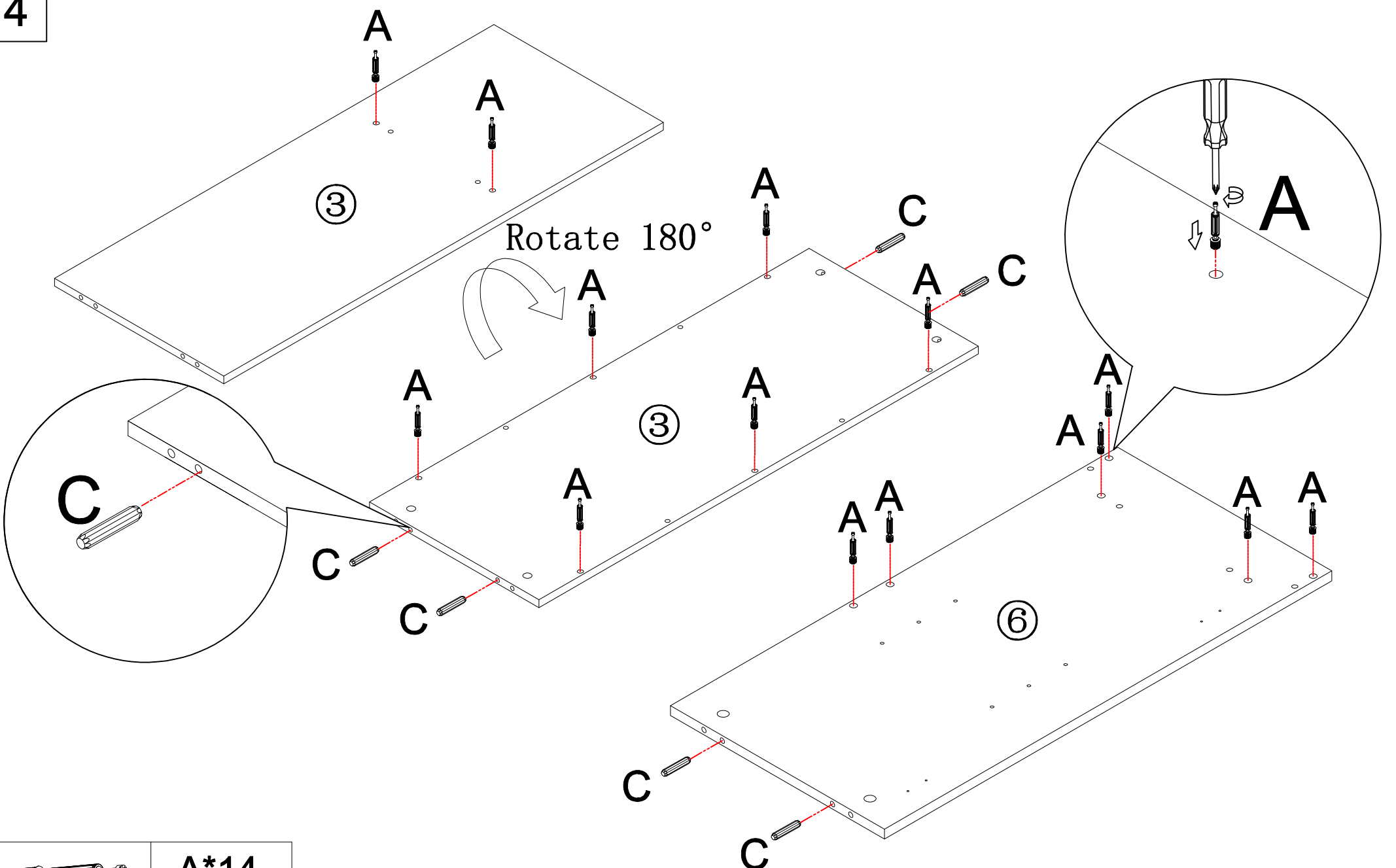
C*8



Put A on board ①④⑤

Put C on board ④⑤

3

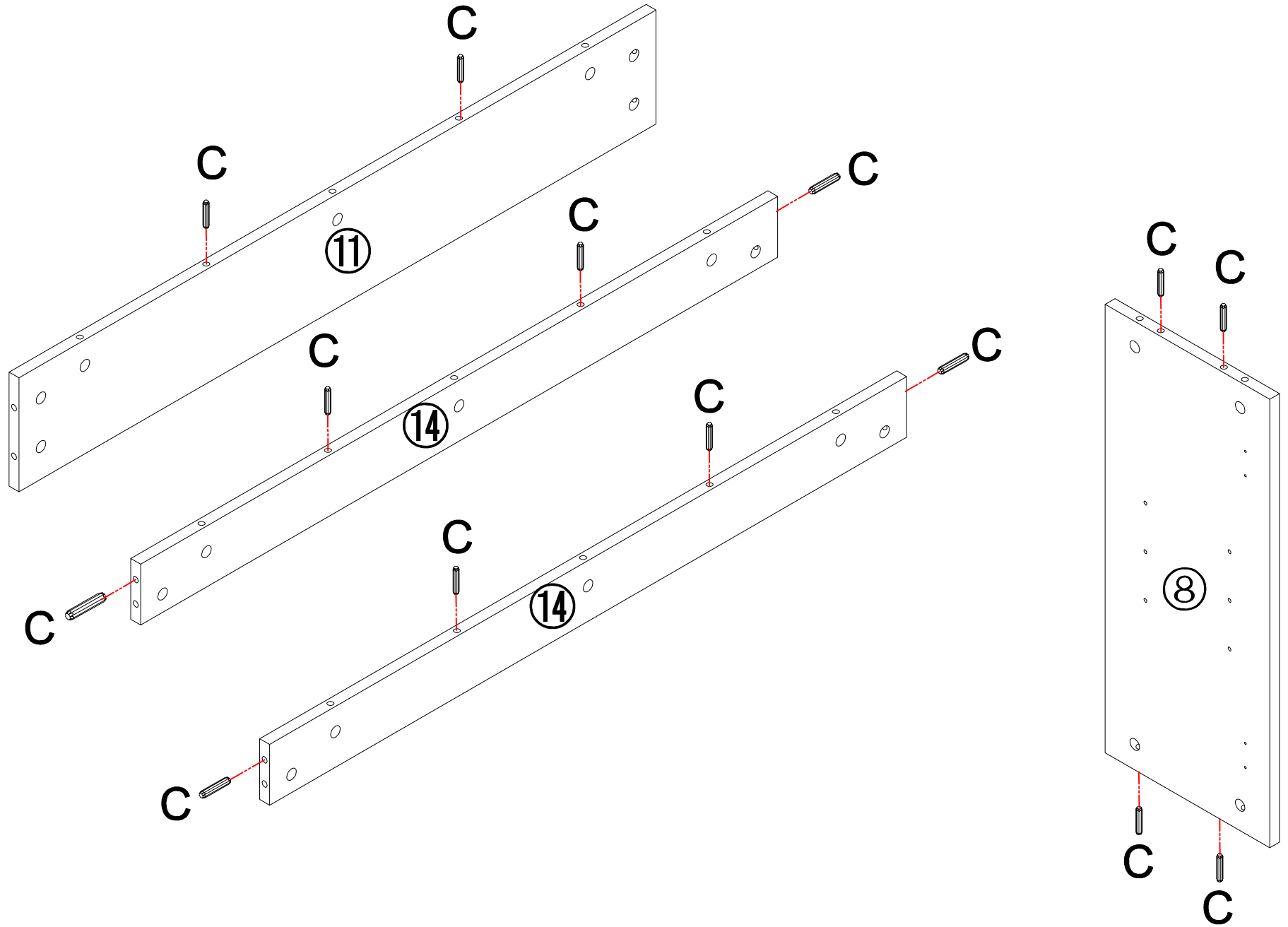




	A*14
	C*6

Put A on board ③⑥
Put C on board ③⑥

5

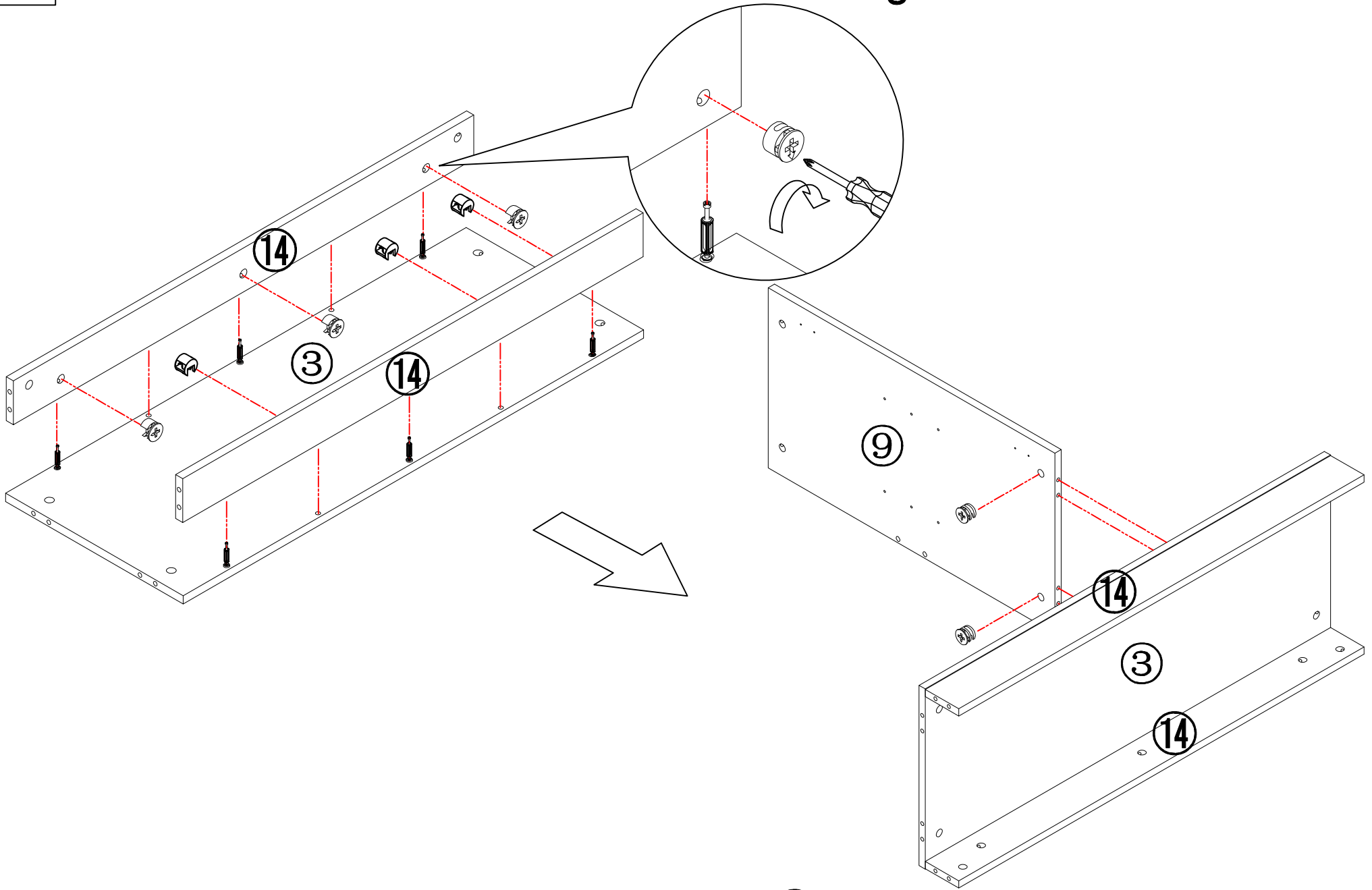


C*14

Put C on board ⑧⑪⑭

6

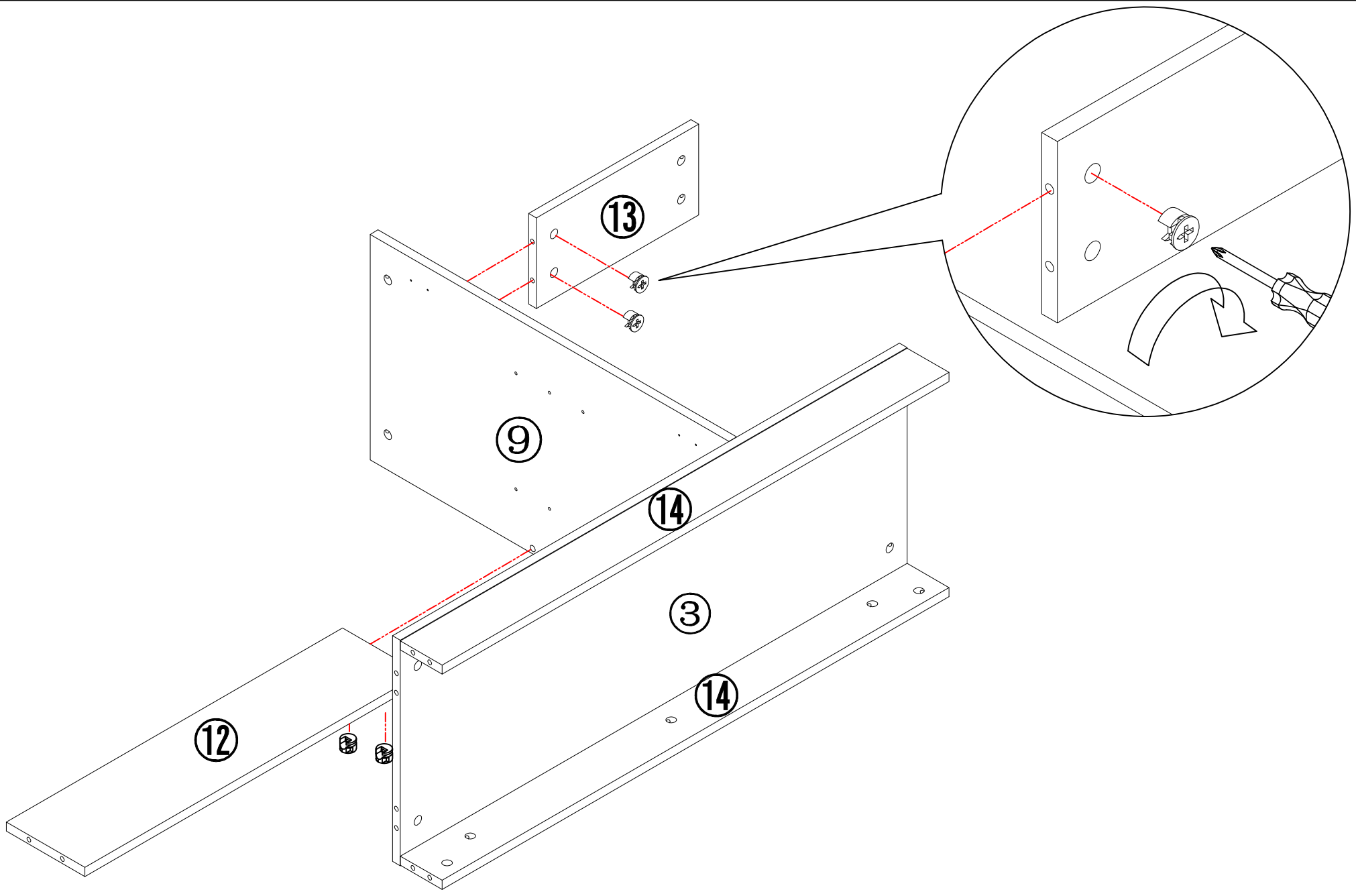
Make sure the arrow on the screw align to the hole on the side



B*8

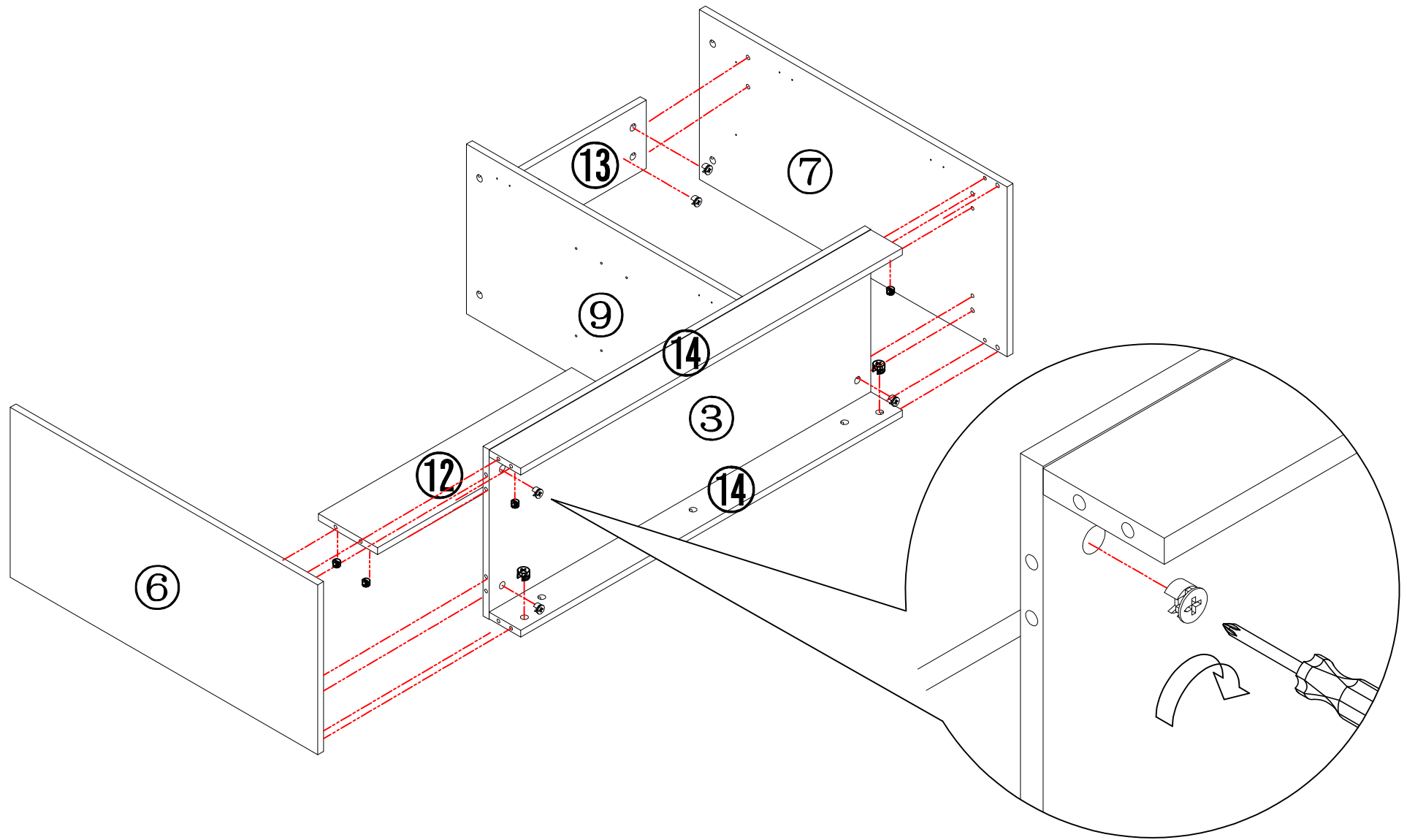
Put B on board ⑨⑭

7



B*4

Put B on board ⑫⑬

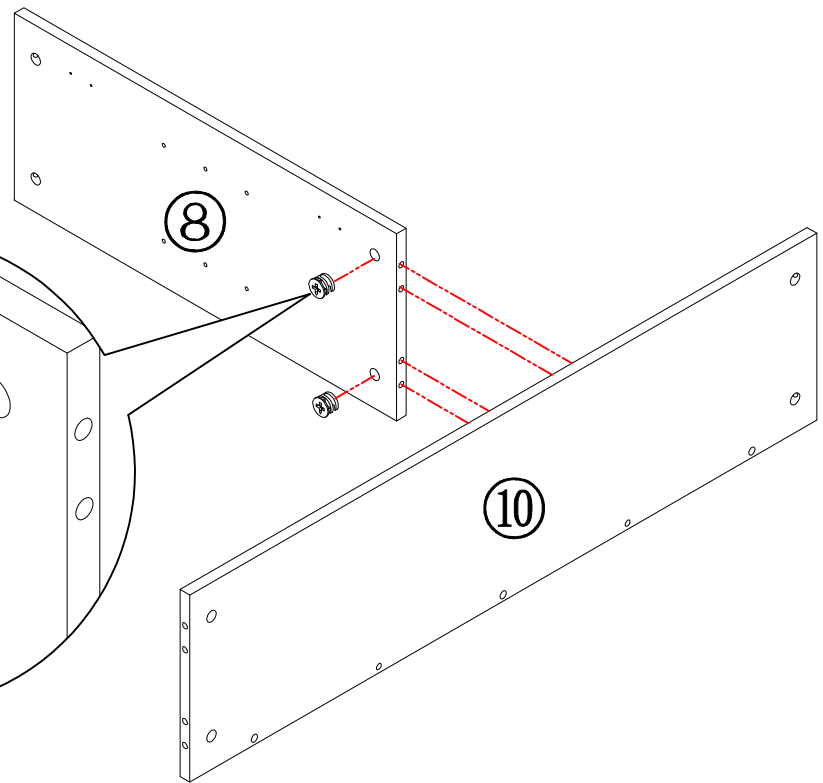
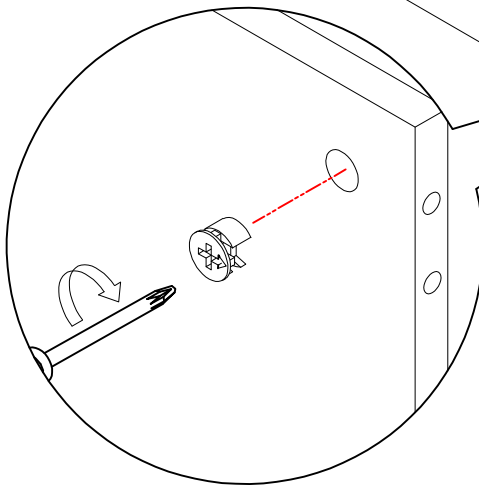
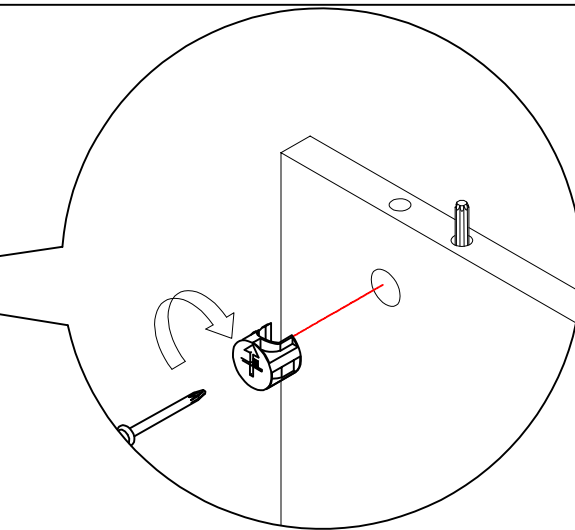
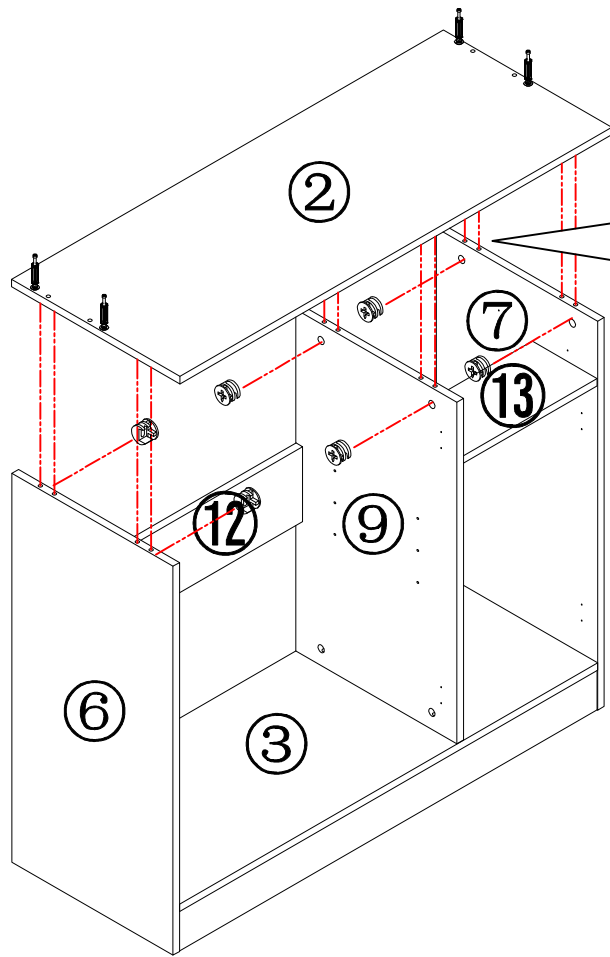


Put B on board ③⑫⑬⑭



B*4

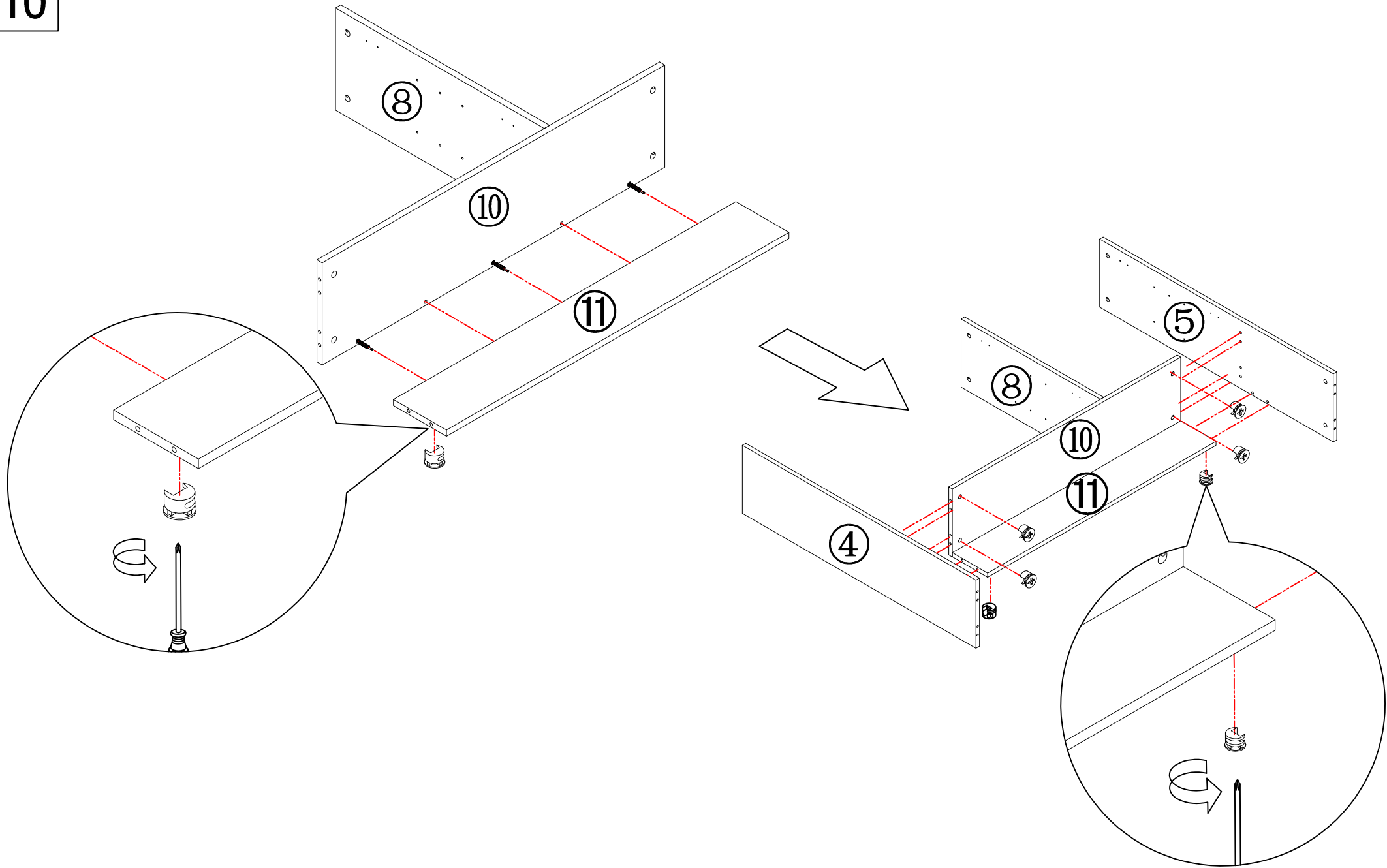
9



Put B on board ⑥⑦⑧⑨

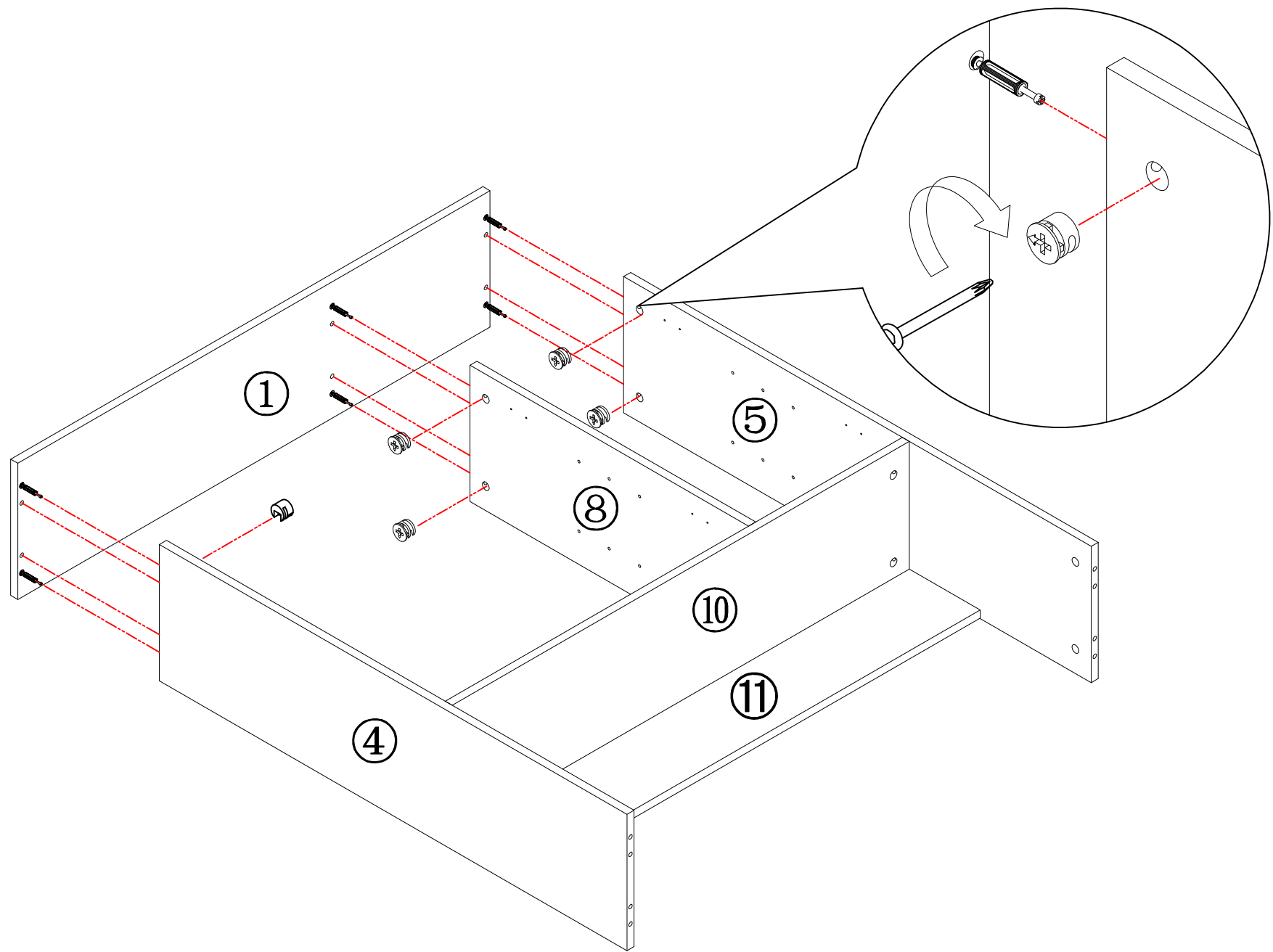


B*8



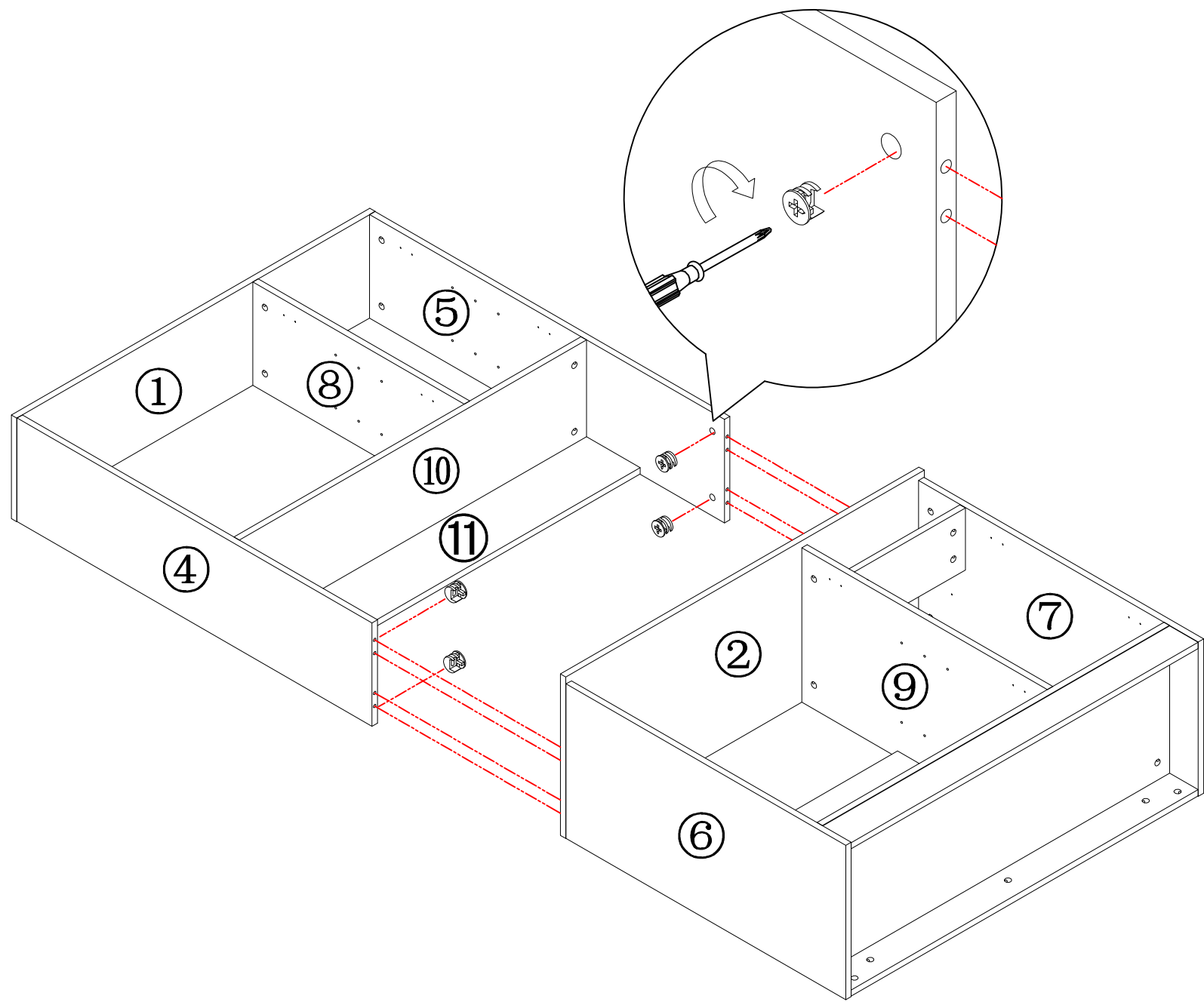
B*9

Put B on board ⑩⑪



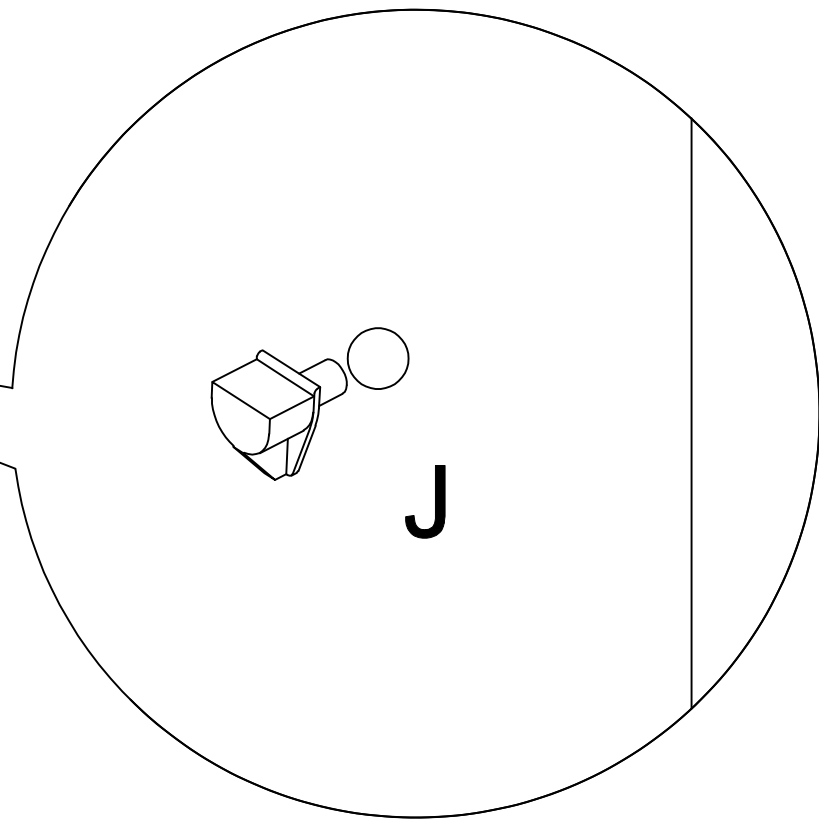
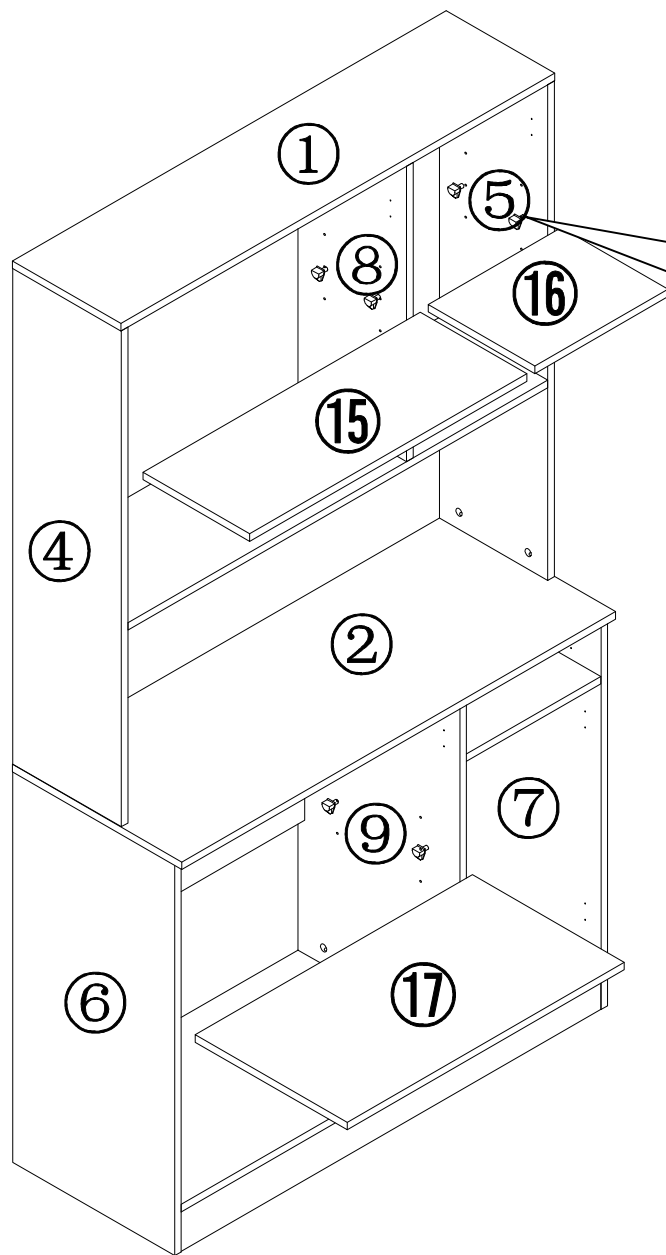
B*6

Put B on board ④⑤⑧

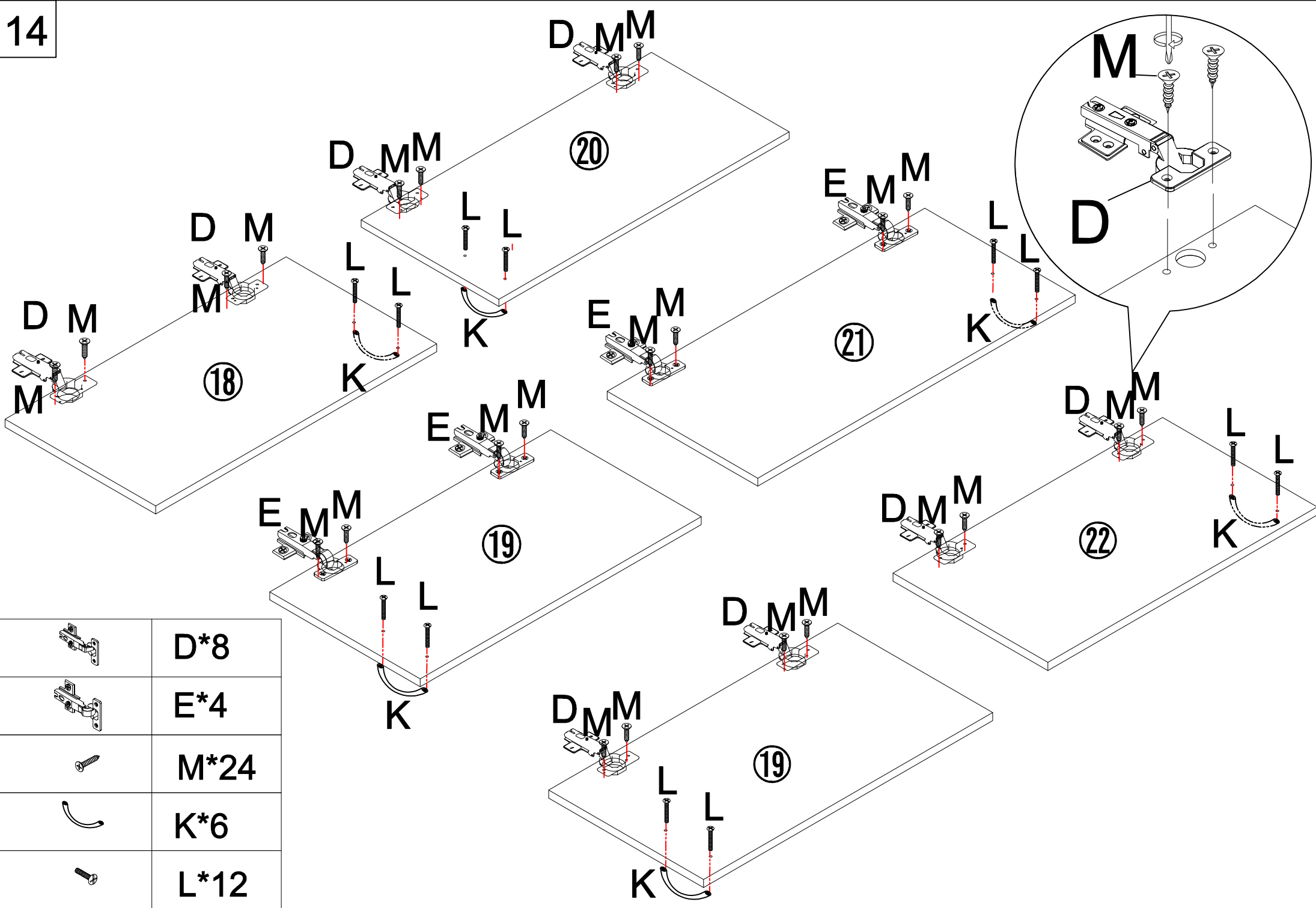


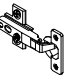
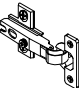



B*4

Put B on board ④⑤

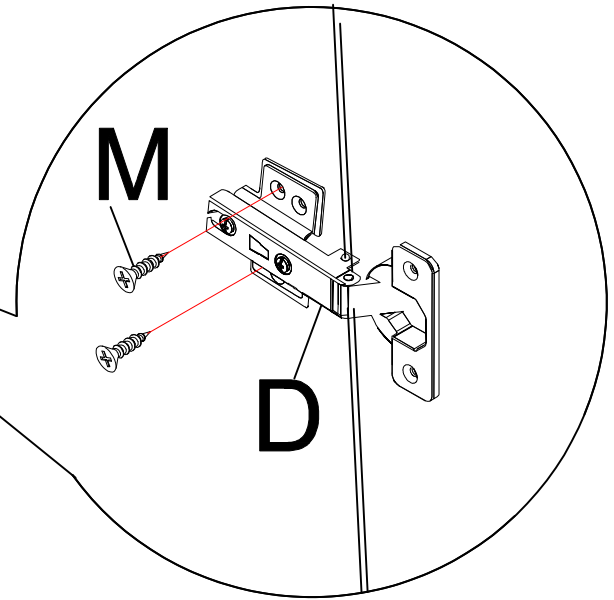
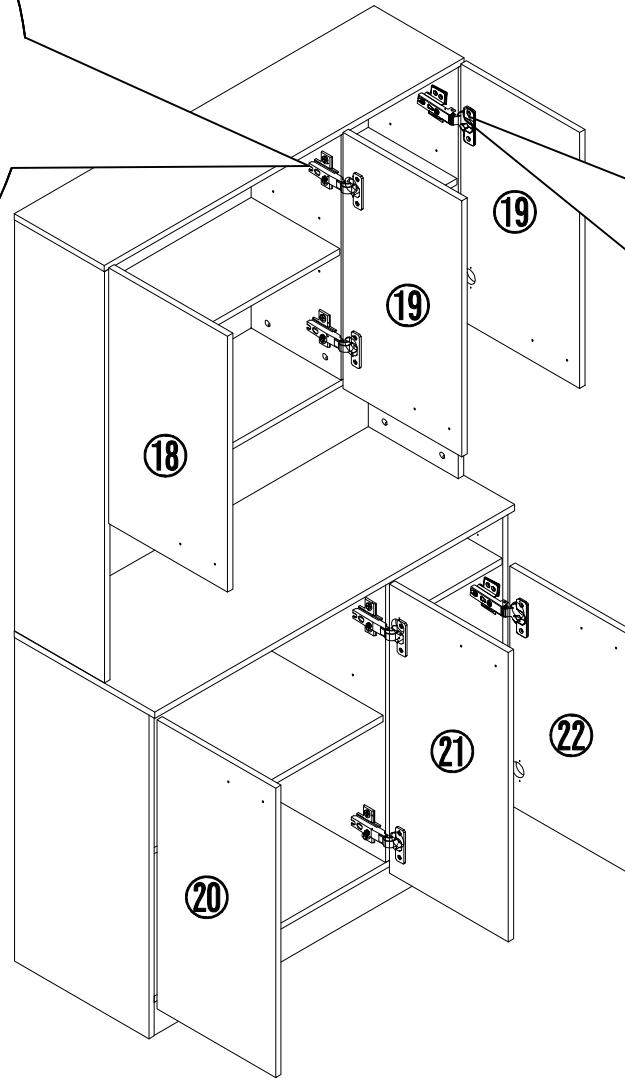
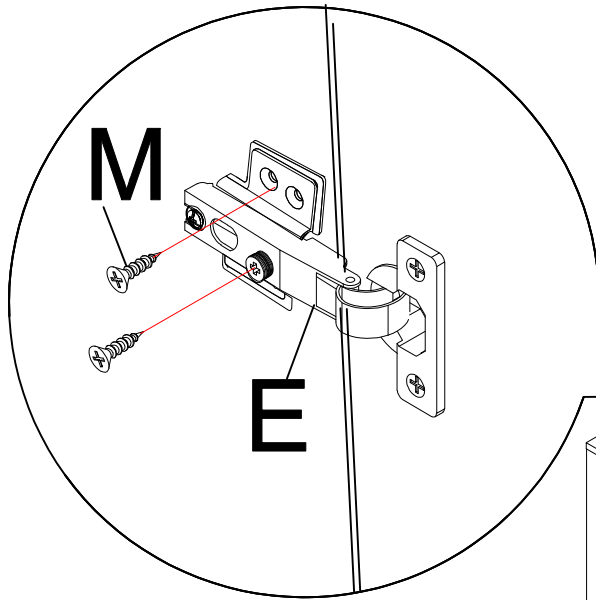


J*12

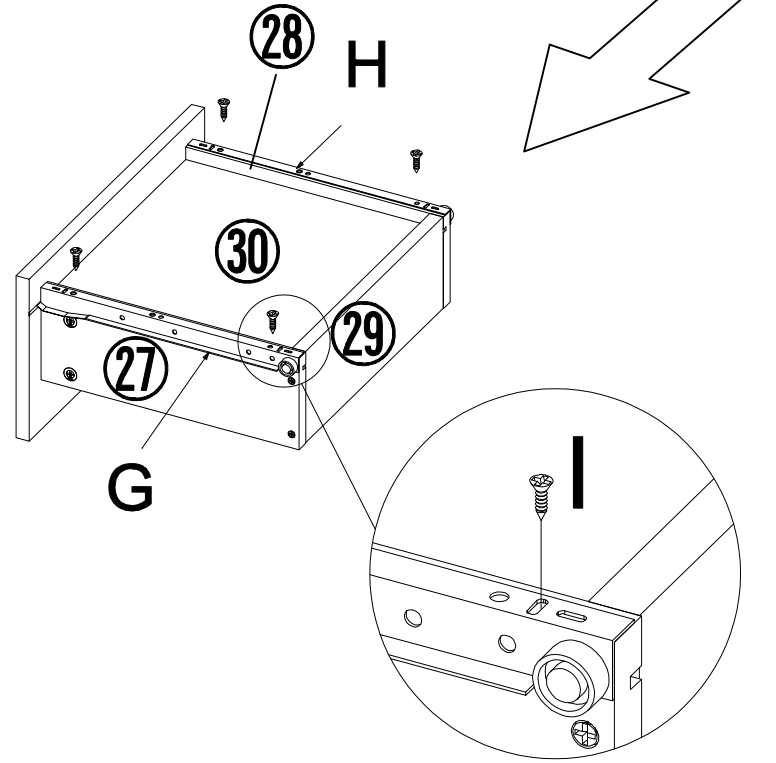
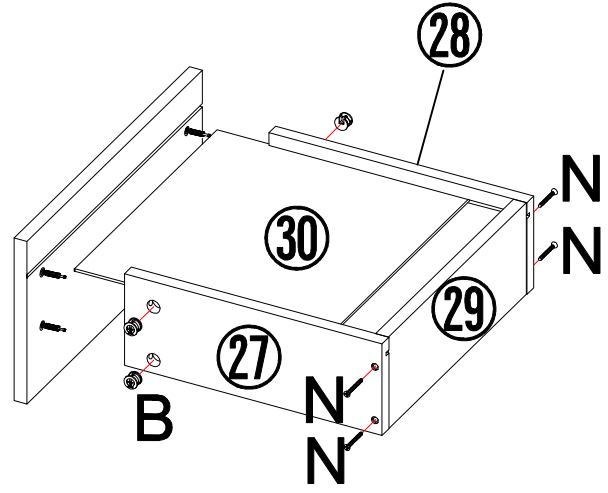
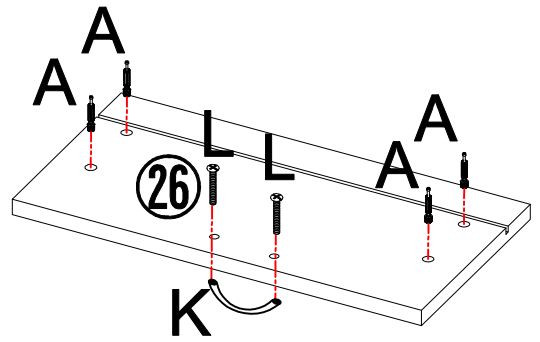





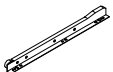




	D*8
	E*4
	M*24
	K*6
	L*12

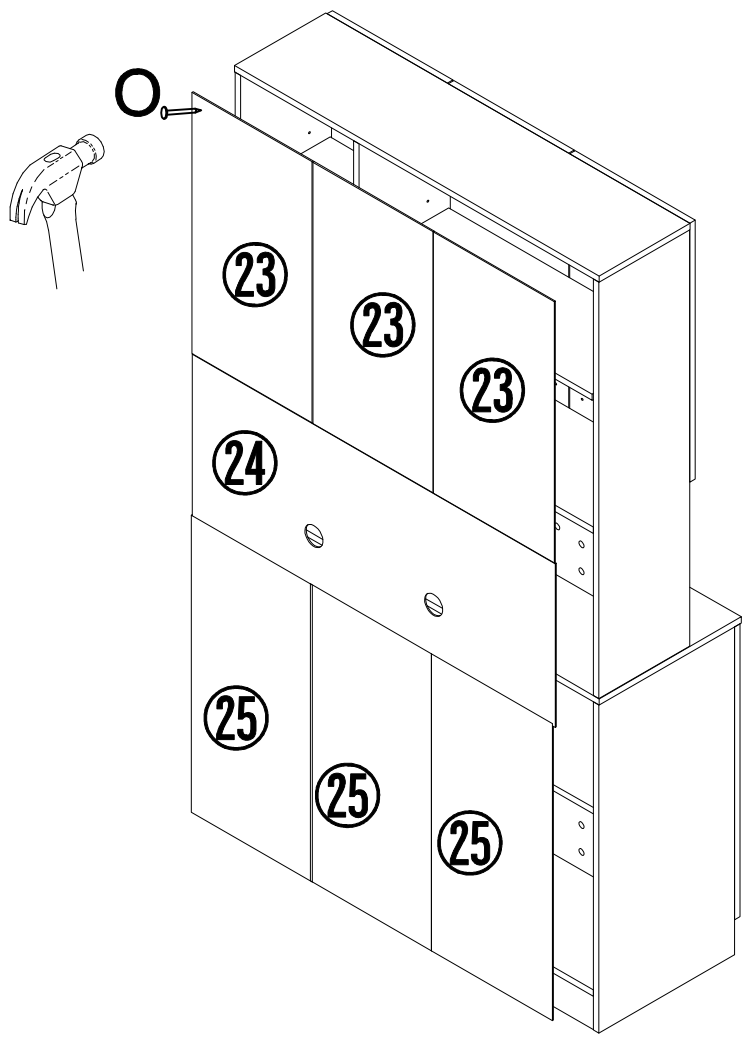
15



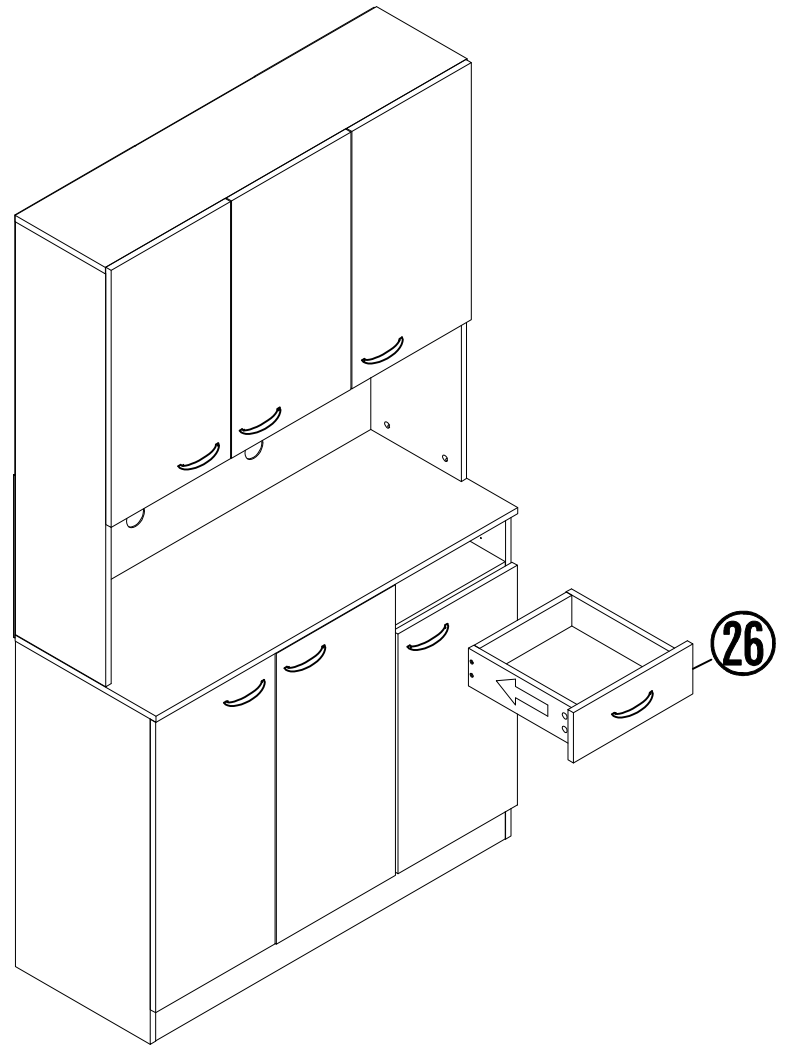
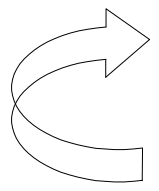
M*48



	A*4
	B*4
	H*1
	I*1
	K*1
	L*2
	M*4
	N*4



Rotate 90°



O*60

