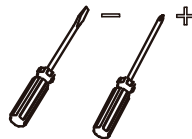


# Installation & Assembly



2 person



tools require

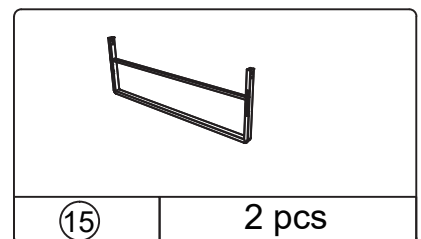
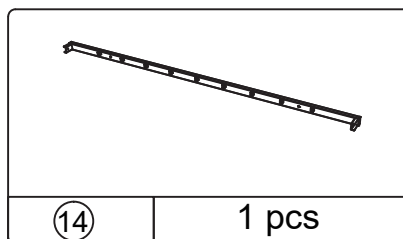
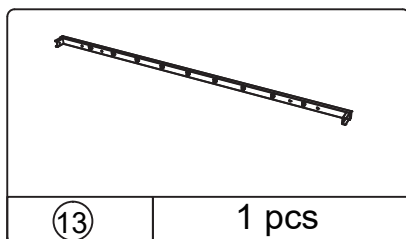
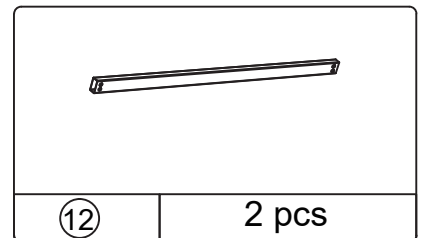
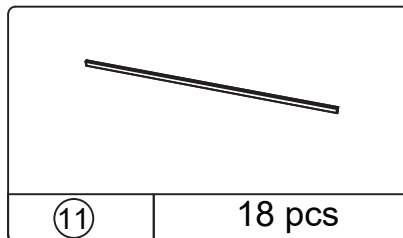
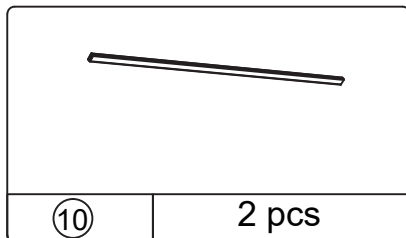
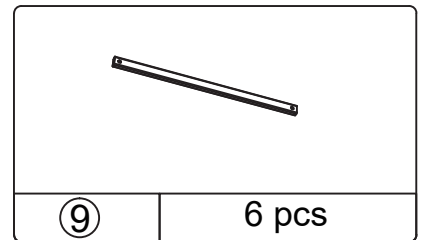
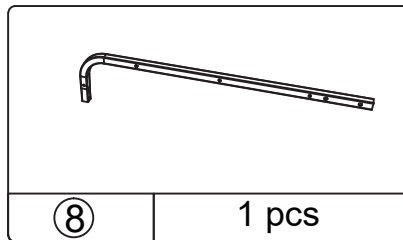
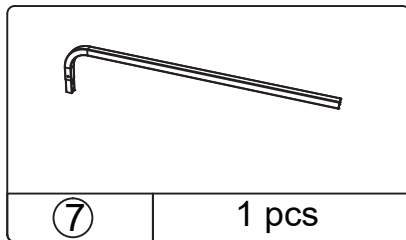
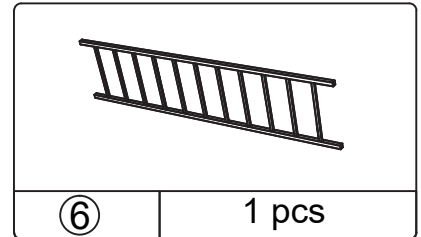
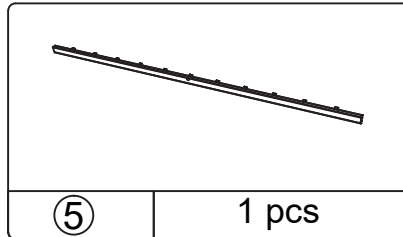
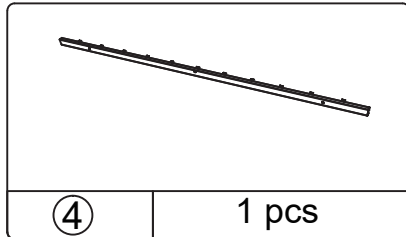
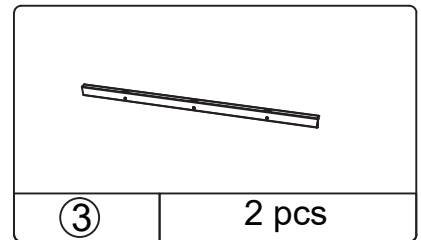
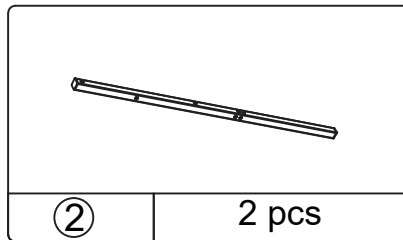
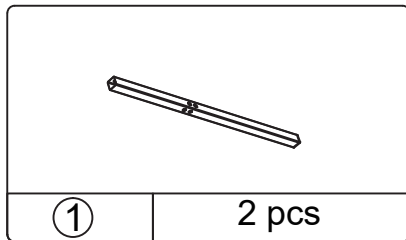


2 hours need

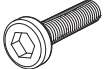

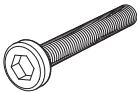
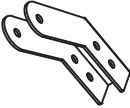
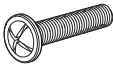
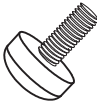



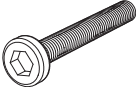
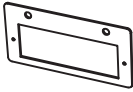
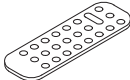
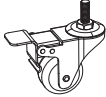
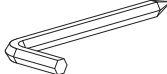

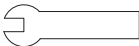
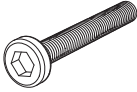


**PLEASE BE CAREFUL DO NOT DAMAGE THE HOLE POSITION  
WHEN YOU USE POWER TOOLS !**

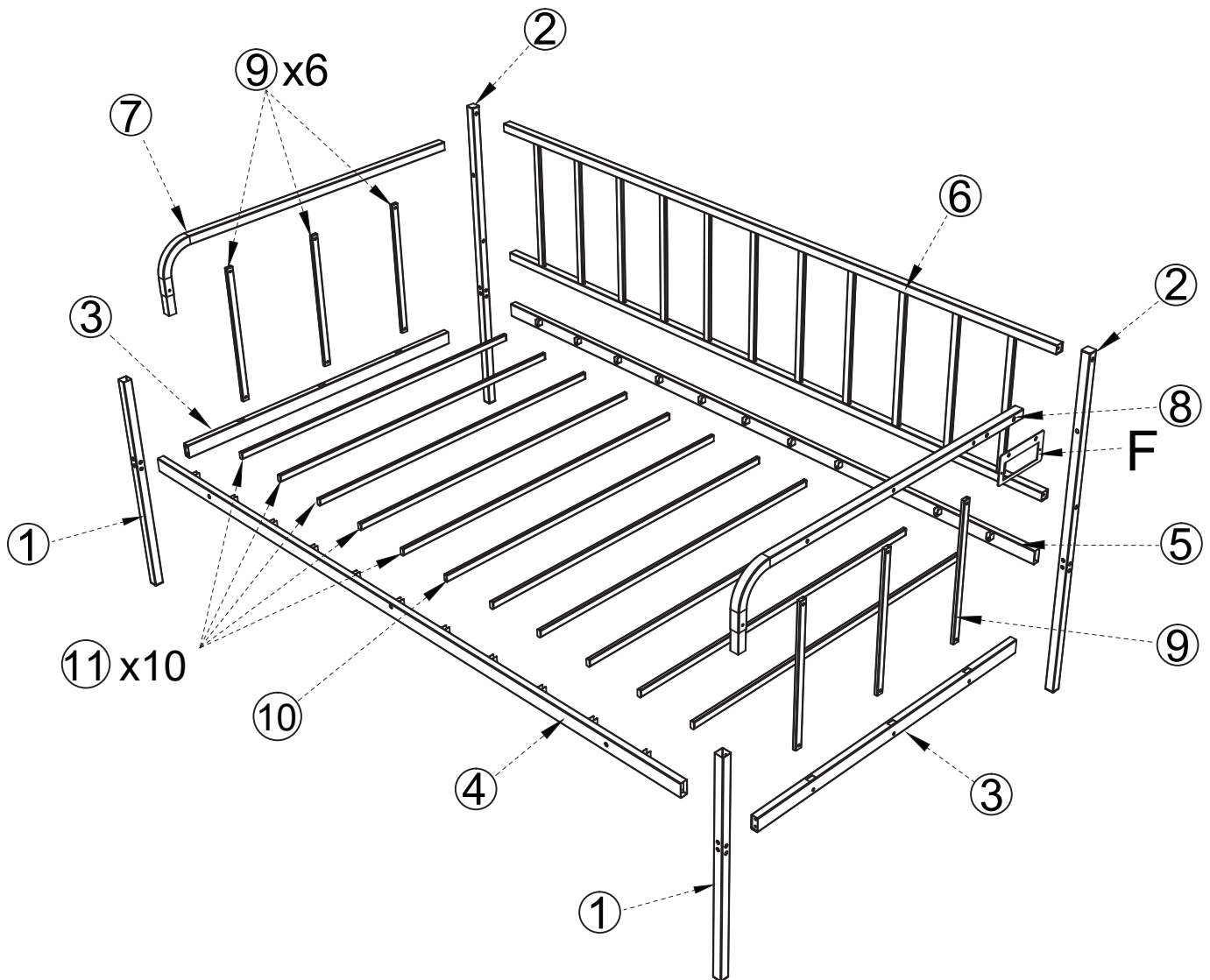
# Accessory List



# HARDWARE



A	 M6*15mm	14+1	J	 M6	14+1
B	 M6*45mm	22+2	K		4
C	 M4*10mm	14+1	L	 M6	4
D	 M6	4	M		1
E		1	N	 M6*50mm	2
F		1	O		1
G	 1.5	2	P	 M6	1
H	 1.5	2	Q	 M6	1
I	 M6*35mm	16+1			

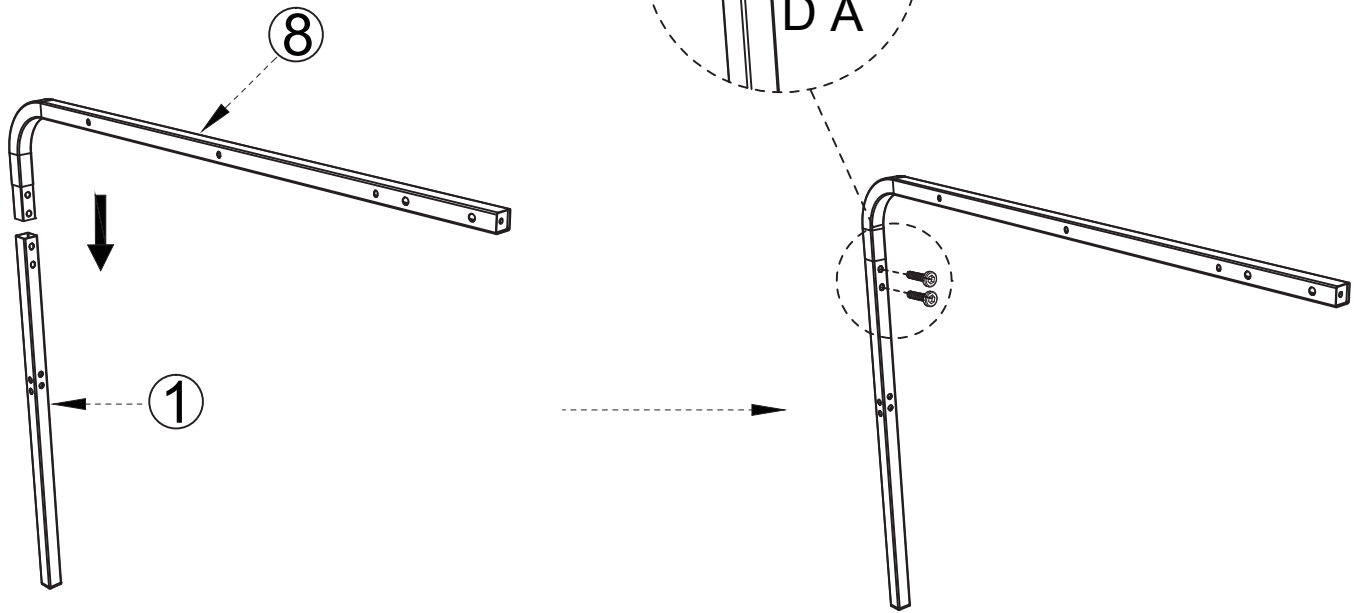
# EXPLODED DRAWING:





1. To ensure smooth assembly, we kindly advise that you read the entire manual and carefully adhere to the instructions provided.
2. The installation of this bed frame necessitates a minimum of two individuals to ensure a successful setup.
3. It is recommended that the assembly take place on a level ground in order to maintain optimal balance.
4. Please refrain from tightening the screws until the installation is fully completed.

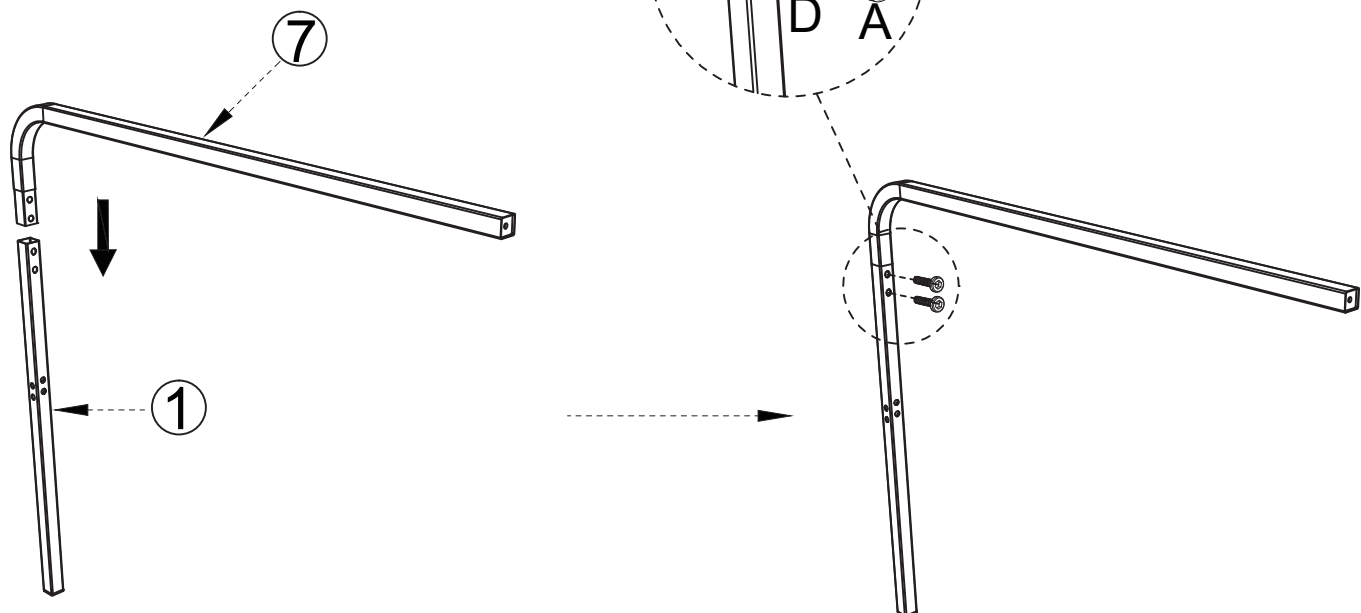
# Step:1

A	 M6* 15mm	2pcs
D	 M6	2pcs



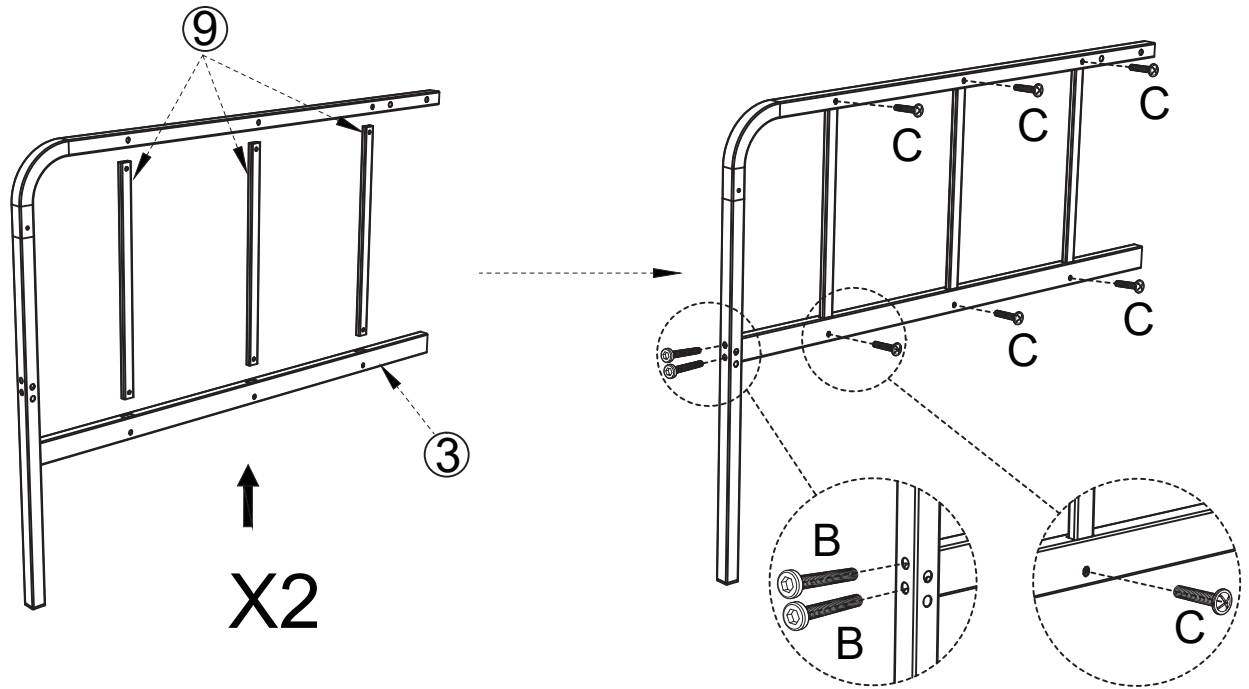
# Step:2

A	 M6* 15mm	2pcs
D	 M6	2pcs




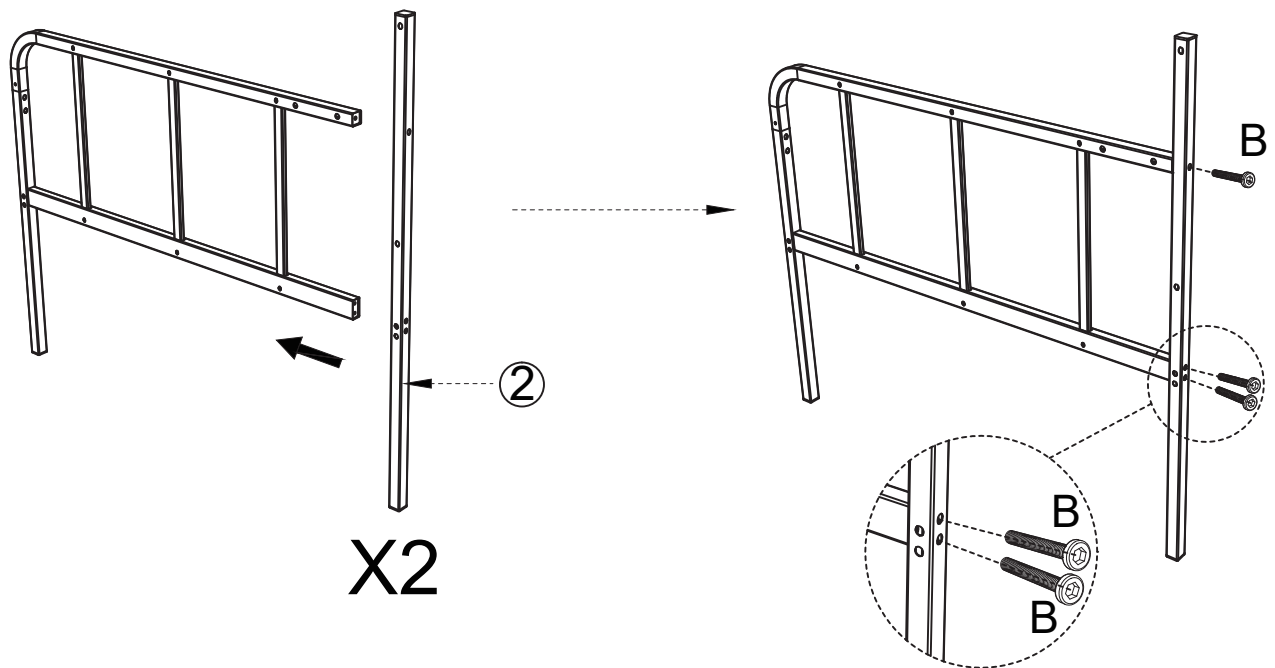
# Step:3

B	 M6*45mm	4pcs
C	 M4*10mm	12pcs




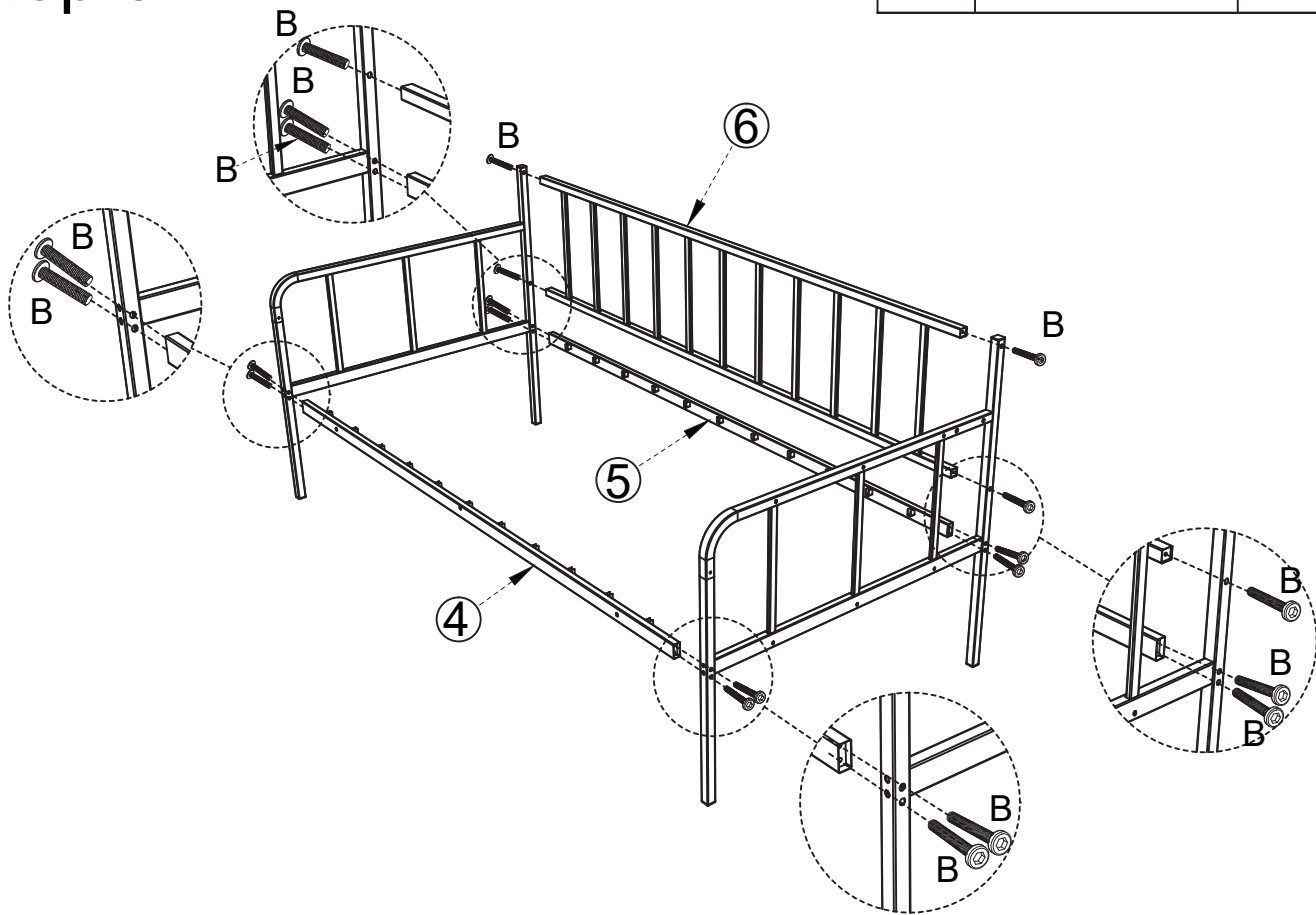
# Step:4

B	 M6*45mm	6pcs
---	---	------

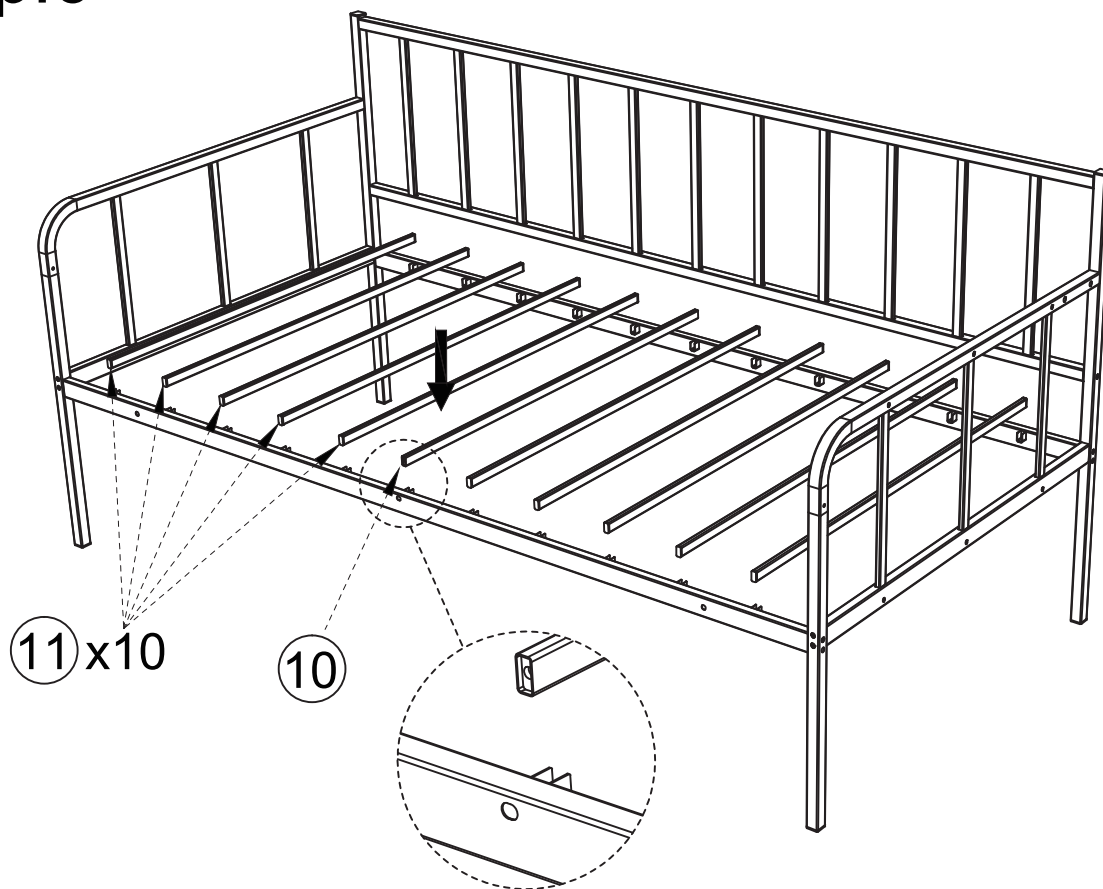


# Step:5






B		M6*45mm	12pcs
---	---	---------	-------



# Step:6




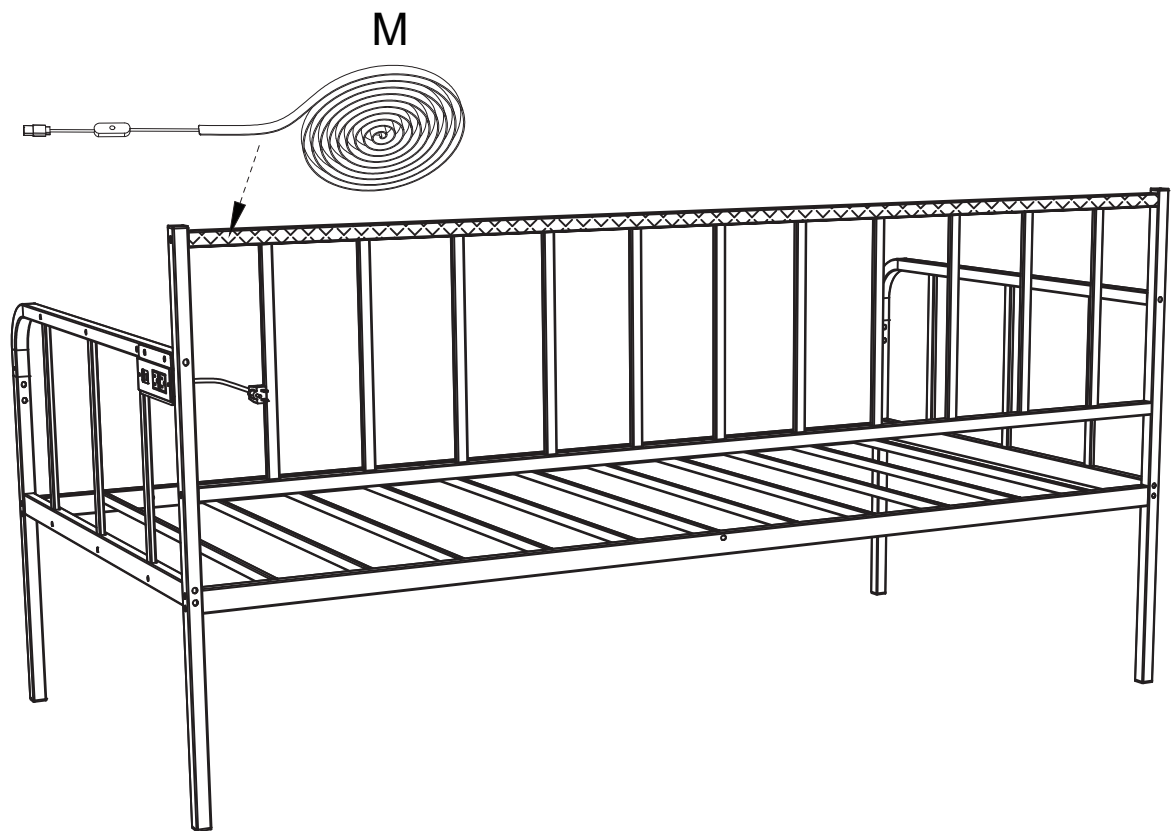
# Step:7

A	 M6*15mm	2pcs
C	 M4*10mm	2pcs
I	 M6*35mm	2pcs
E		1pcs
F		1pcs

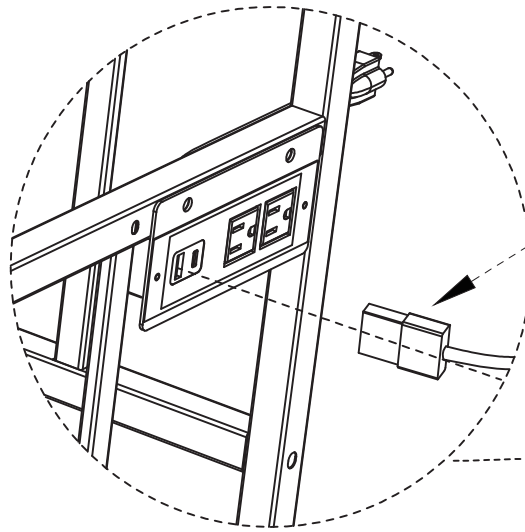


# Step:8

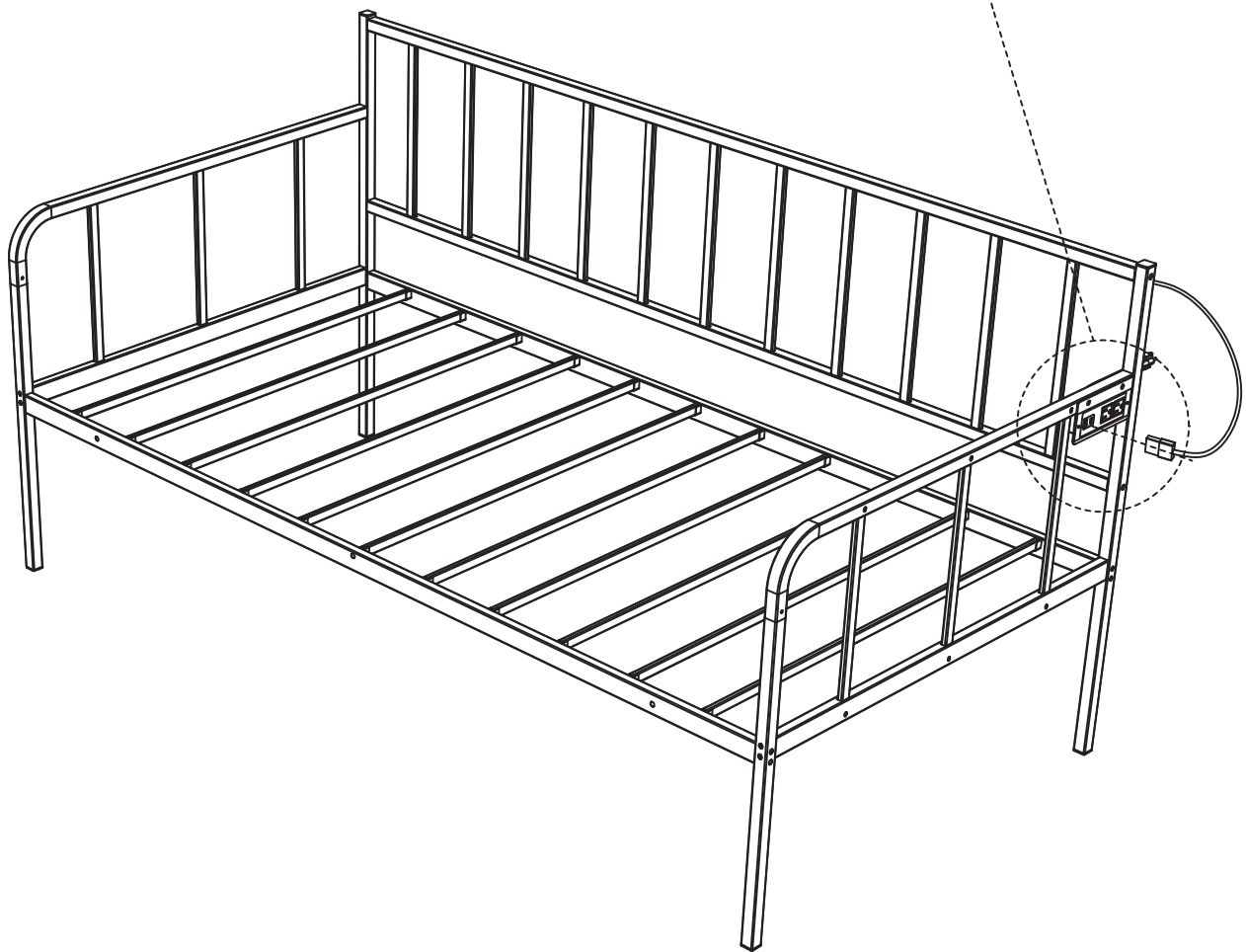
M		1pcs
---	---	------



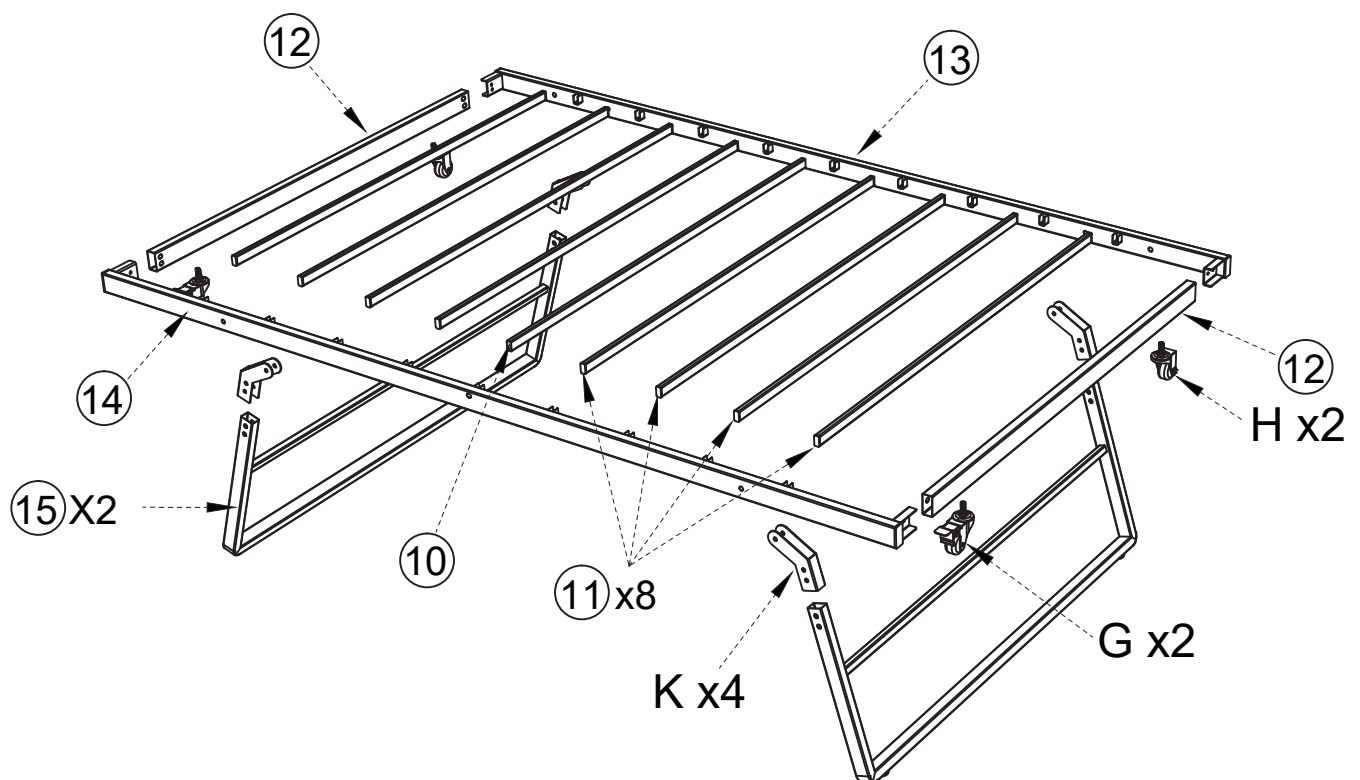
# Step:9



This LED light strip  
directly into the USB

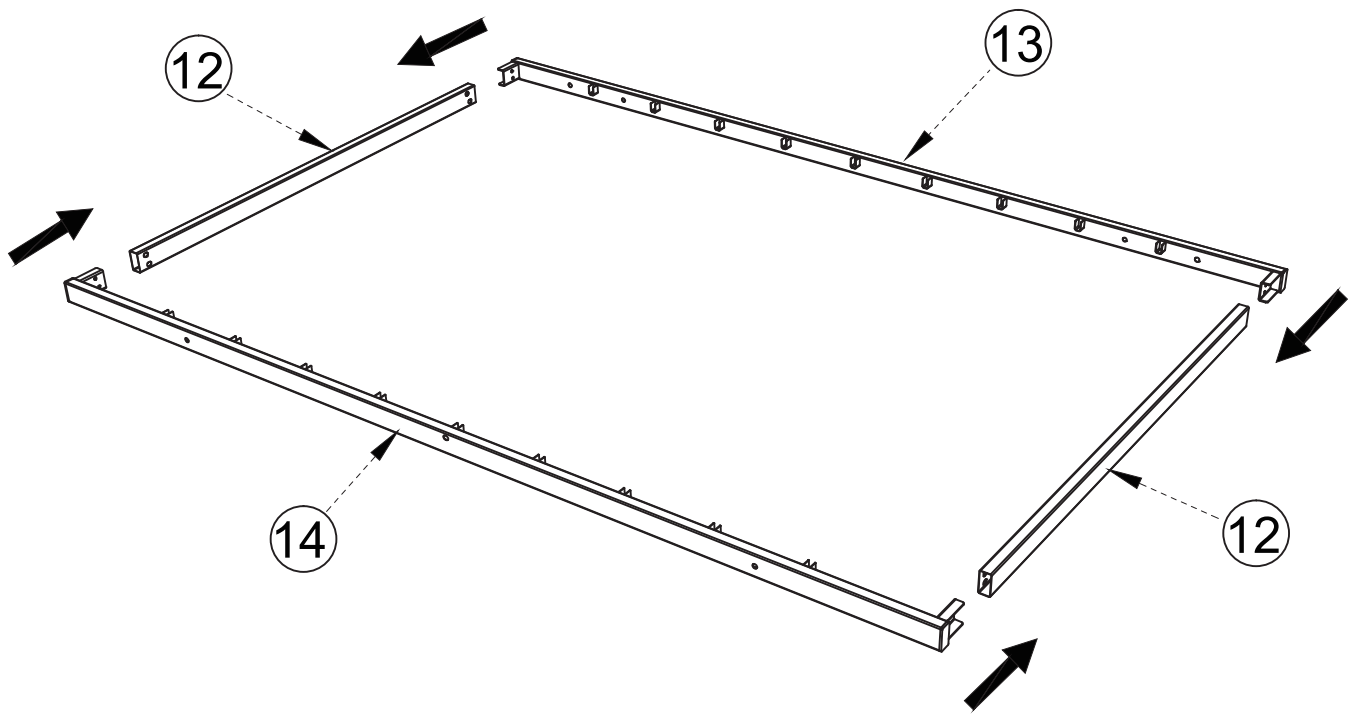


# EXPLODED DRAWING:




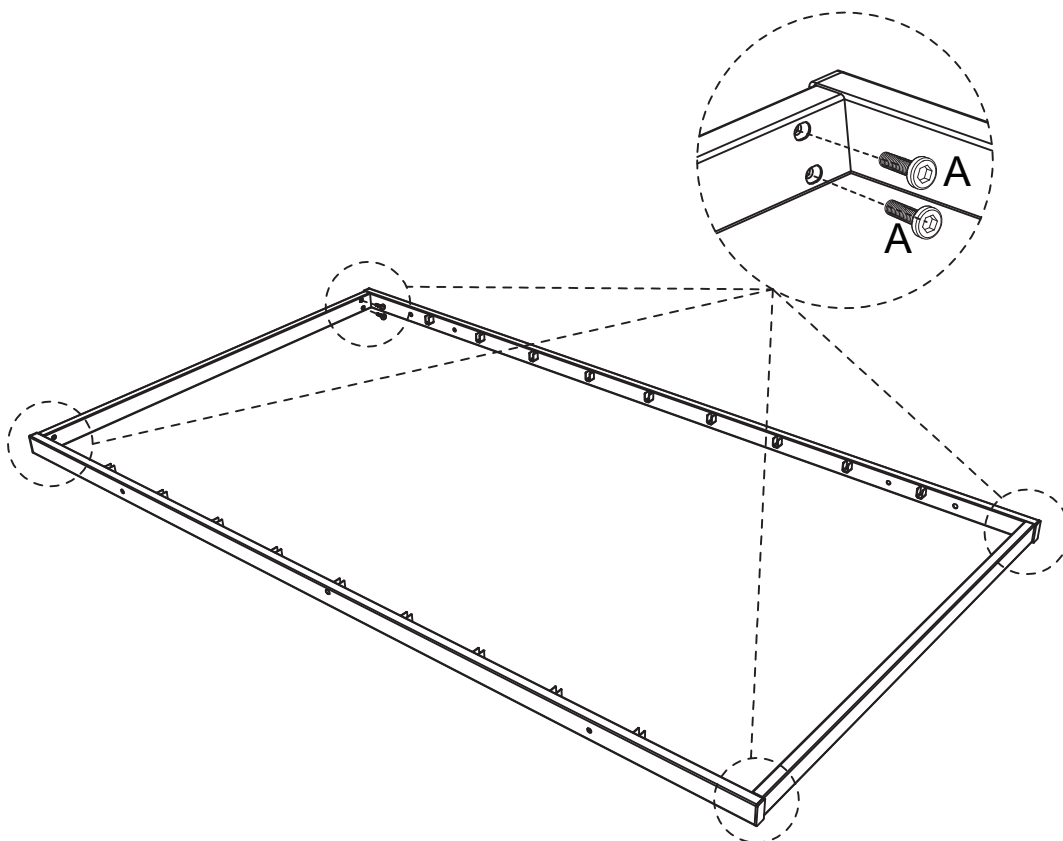
1. To ensure smooth assembly, we kindly advise that you read the entire manual and carefully adhere to the instructions provided.
2. The installation of this bed frame necessitates a minimum of two individuals to ensure a successful setup.
3. It is recommended that the assembly take place on a level ground in order to maintain optimal balance.
4. Please refrain from tightening the screws until the installation is fully completed.

# Step:10





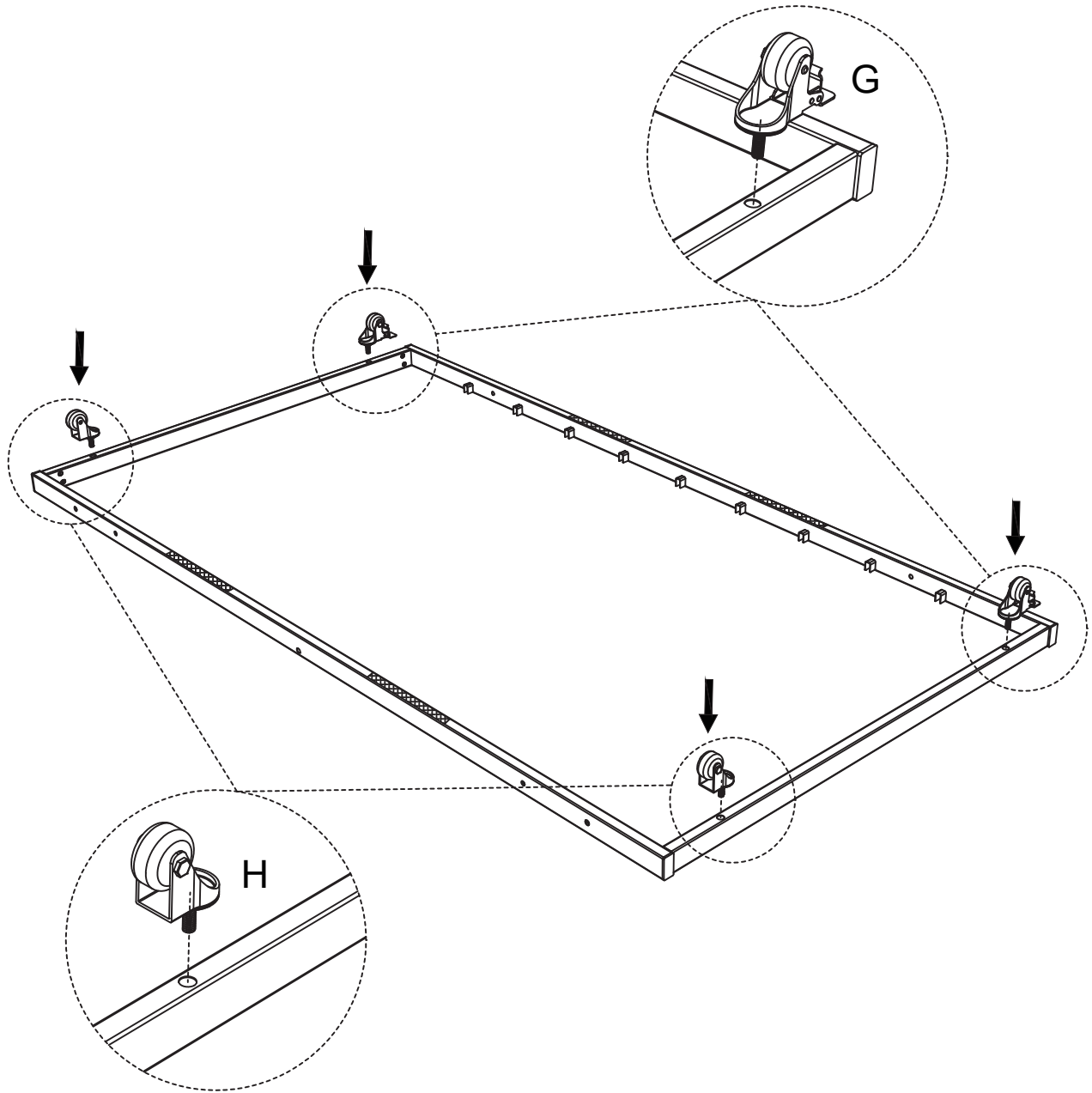
# Step:11

A		M6*15mm	8pcs
---	---	---------	------

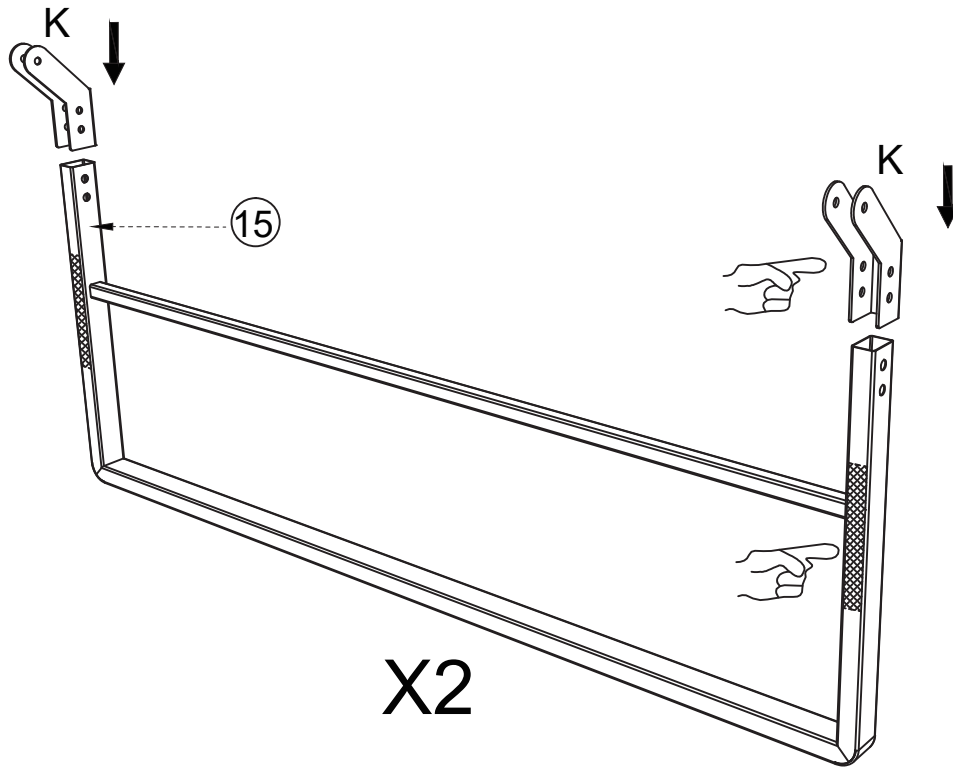


# Step:12





G	 1.5	2pcs
H	 1.5	2pcs

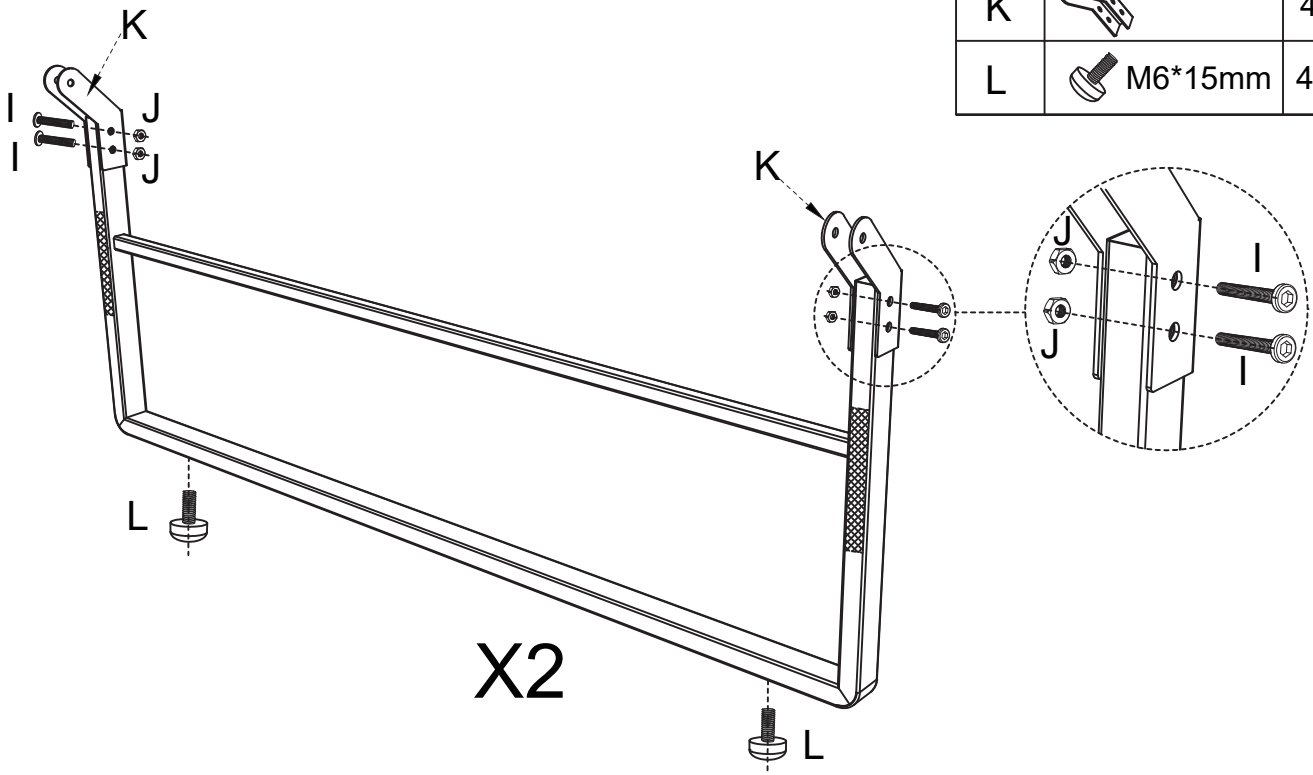


# Step:13

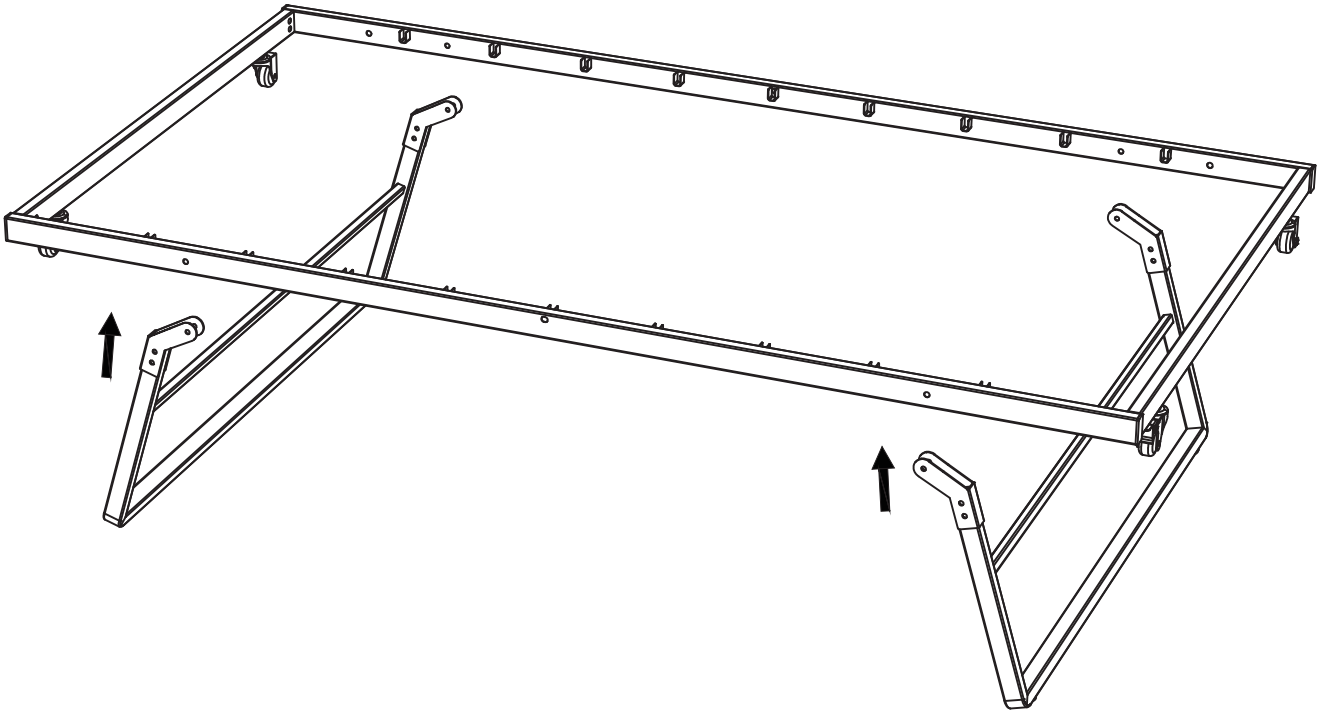


# Step:14



I	 M6*35mm	8pcs
J	 M6	8pcs
K		4pcs
L	 M6*15mm	4pcs

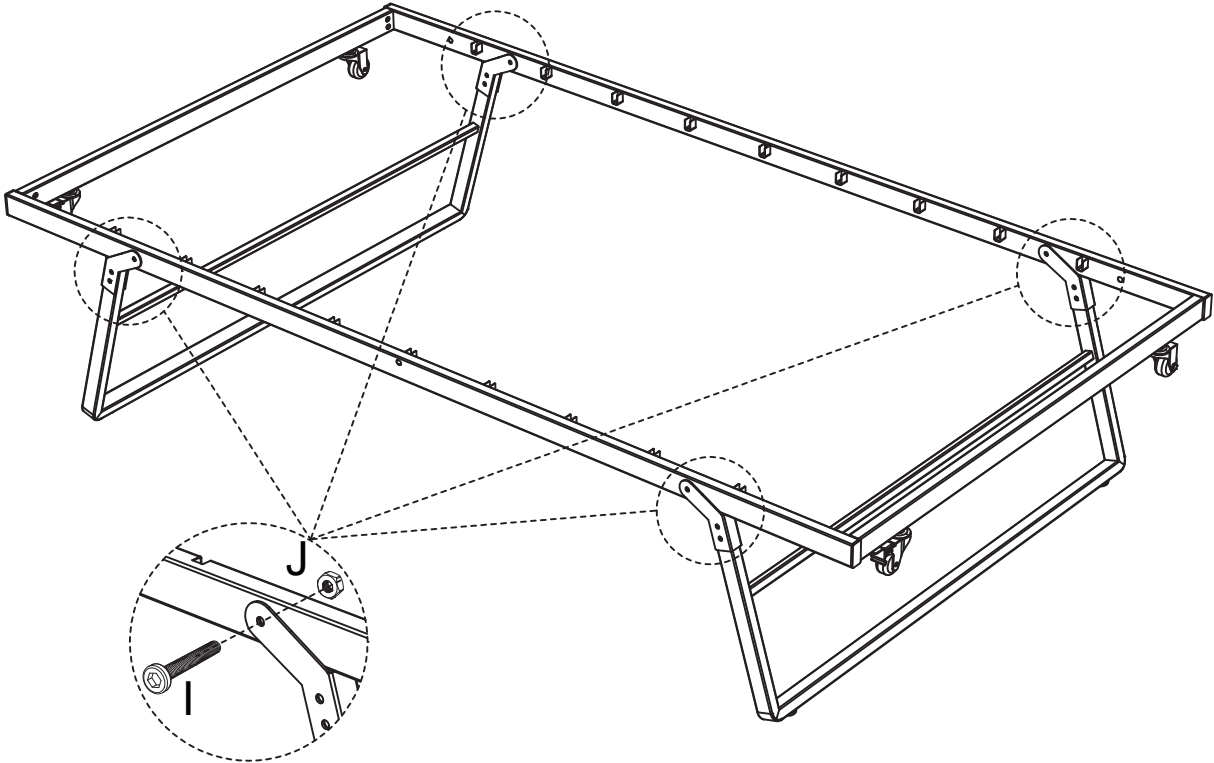


# Step:15

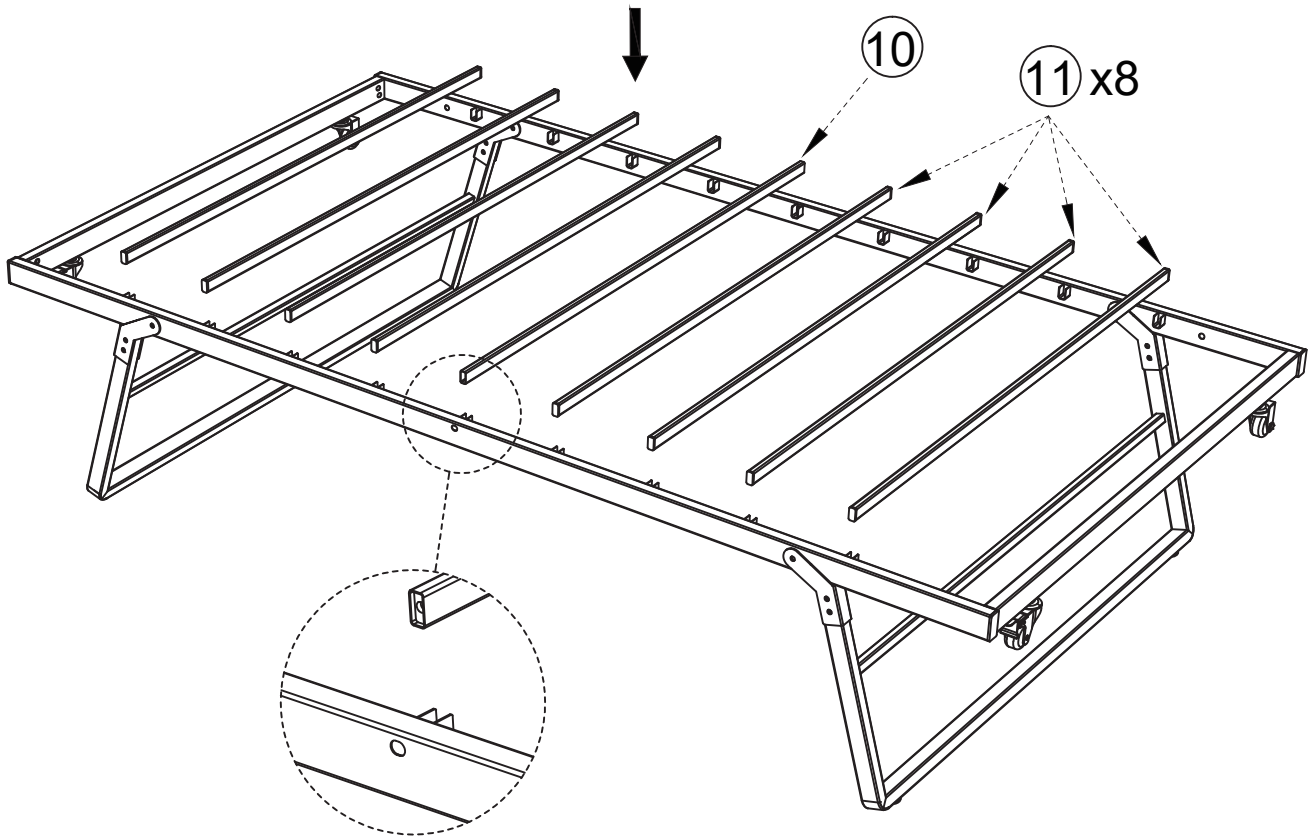


# Step:16


I	 M6*35mm	4pcs
J	 M6	4pcs

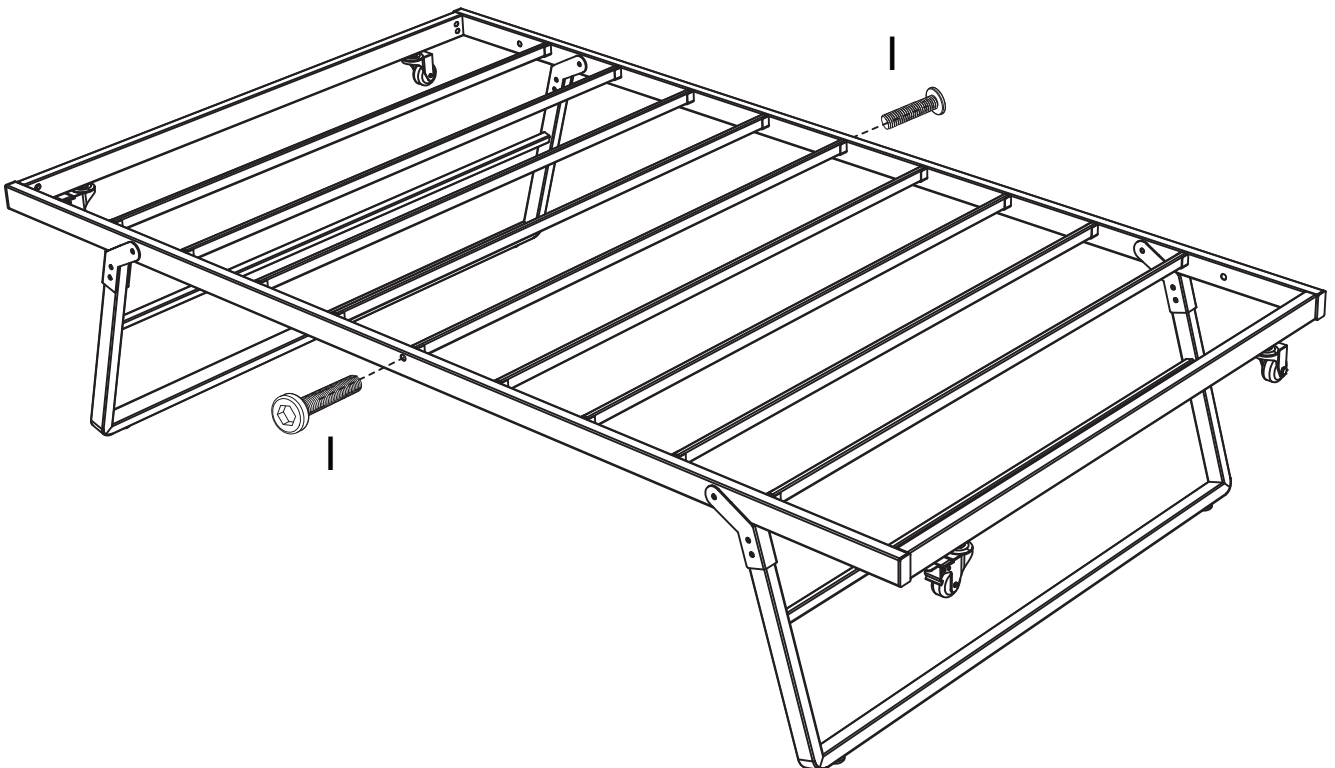


# Step:17





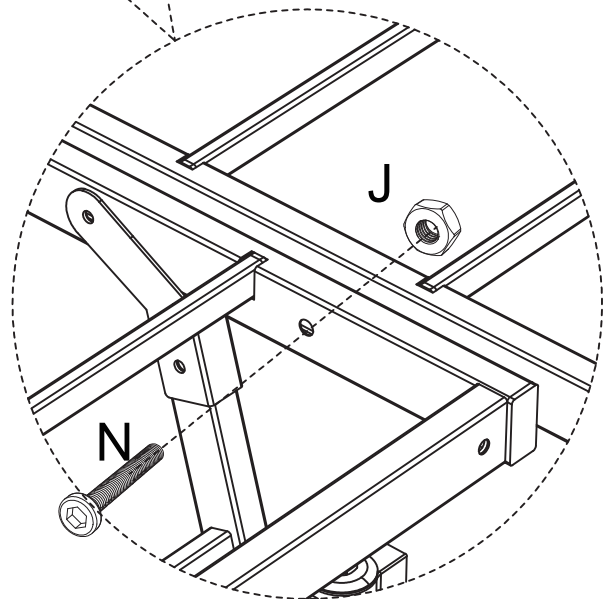
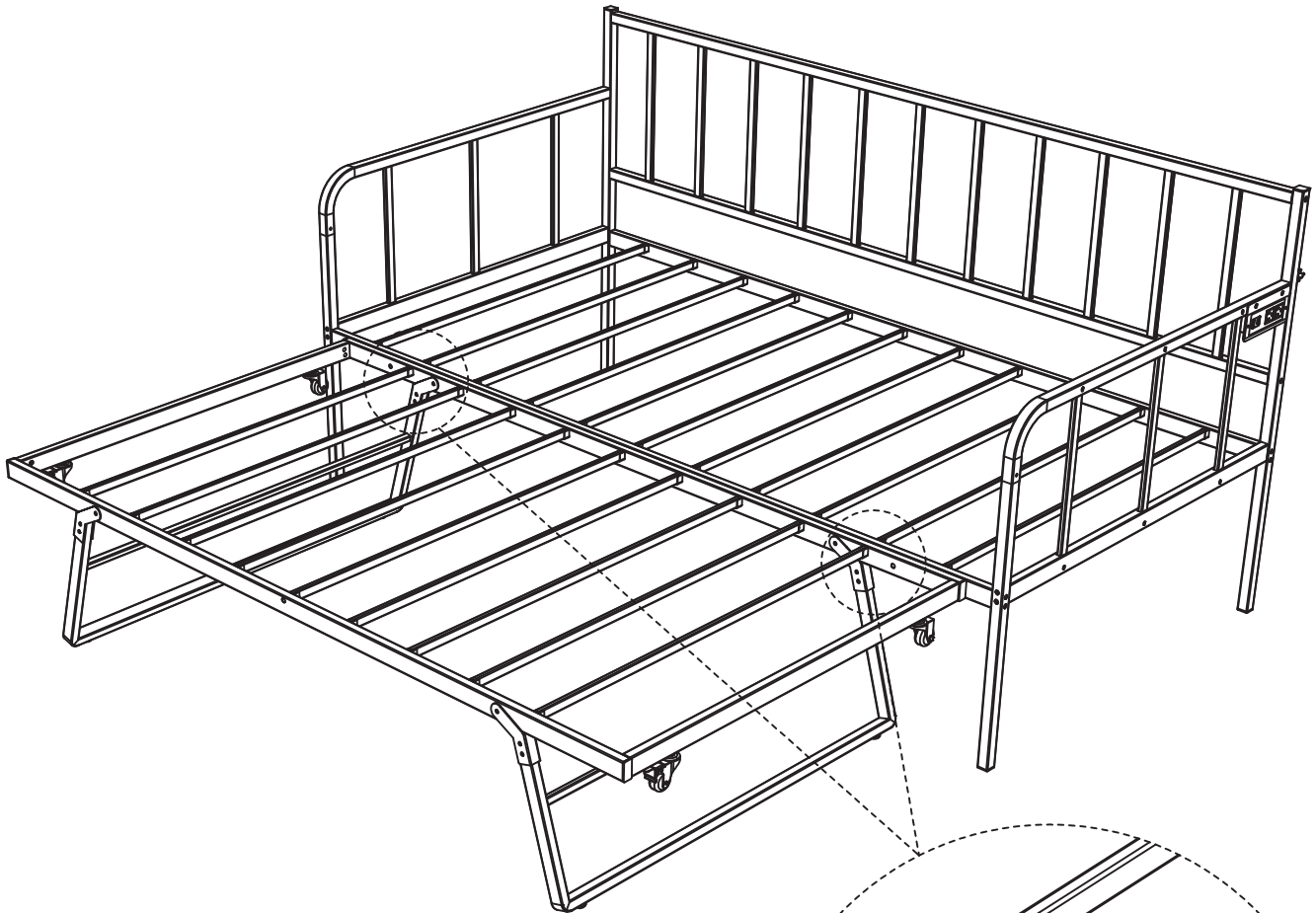
# Step:18

I		M6*35mm	2pcs
---	---	---------	------



# Step:19

J	 M6	2pcs
N	 M6*50mm	2pcs



# AFTER-SALE SERVICE

If you have any suggestions for our products or find that the products have quality problems, please contact us first, our after-sales team will reply you within 24 hours, and we will do our best to give you solutions until you are satisfied.

## Guaranteed Customer Service

Your shopping experience is very important to us!  
Feel unsatisfied? **Contact us!**  
Have any questions? **Contact us!**

Wanna share your experience with our products?  
Share your pictures with us.

Any suggestions? **Contact us!**  
We gotcha back!