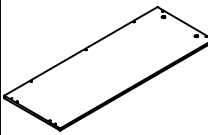
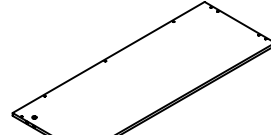
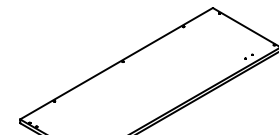
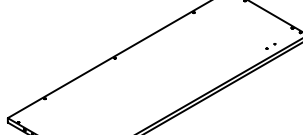
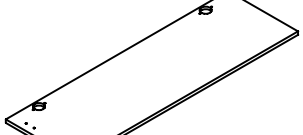
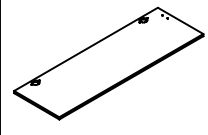
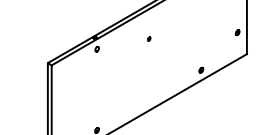
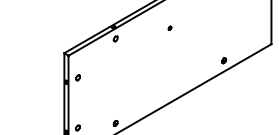
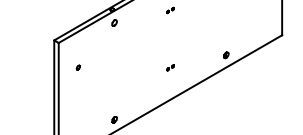
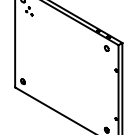
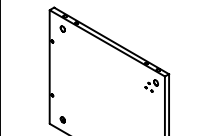
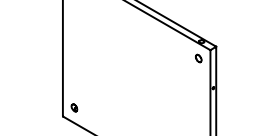
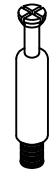

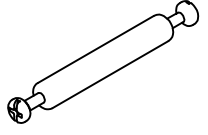

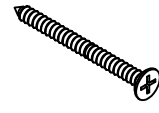
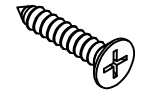



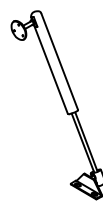
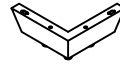
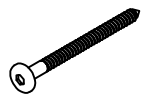
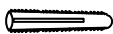
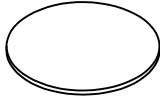
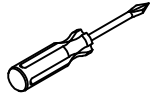
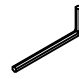
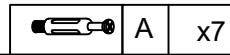
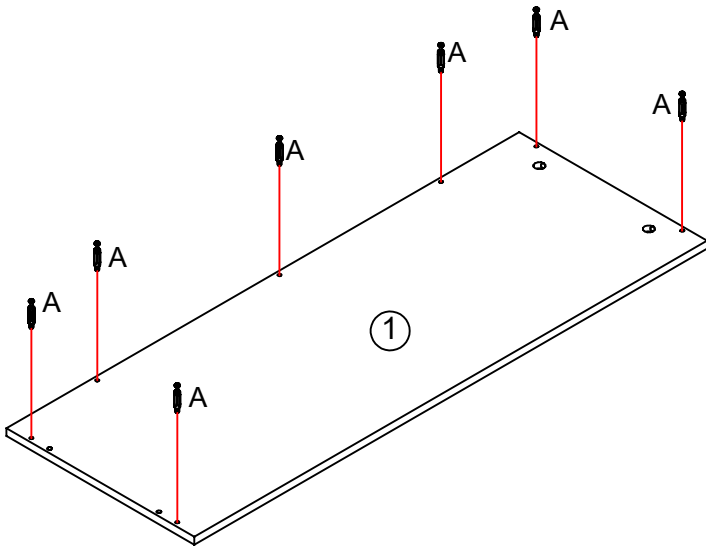
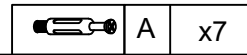
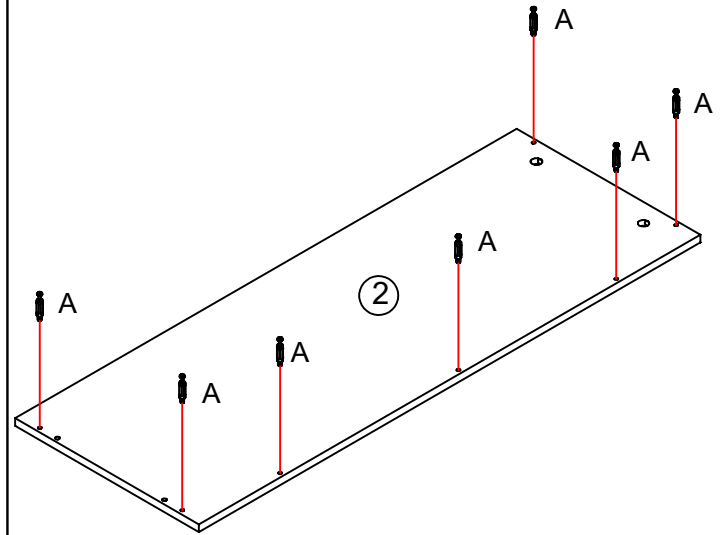


<p>①</p>  <p>x1</p>	<p>②</p>  <p>x1</p>	<p>③</p>  <p>x1</p>	<p>④</p>  <p>x1</p>	<p>⑤</p>  <p>x1</p>
<p>⑥</p>  <p>x1</p>	<p>⑦</p>  <p>x1</p>	<p>⑧</p>  <p>x1</p>	<p>⑨</p>  <p>x1</p>	<p>⑩</p>  <p>x1</p>
<p>⑪</p>  <p>x1</p>	<p>⑫</p>  <p>x2</p>		<p>A</p>  <p>M6x35</p> <p>x32</p>	<p>B</p>  <p>Ø12</p> <p>x32</p>
<p>C</p>  <p>M5.2*64</p> <p>x4</p>	<p>D</p>  <p>Ø15</p> <p>x8</p>	<p>E</p>  <p>M4x30</p> <p>x4</p>	<p>F</p>  <p>M4x12</p> <p>x54</p>	<p>G</p>  <p>M6x30</p> <p>x8</p>
<p>H</p>  <p>M8x40</p> <p>x4</p>	<p>J</p>  <p>x4</p>	<p>K</p>  <p>x2</p>	<p>M</p>  <p>x5</p>	<p>P</p>  <p>M5x60</p>  <p>8x60</p> <p>x4</p>
<p>Z</p>  <p>Ø15</p> <p>x40</p>				

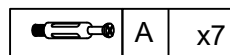
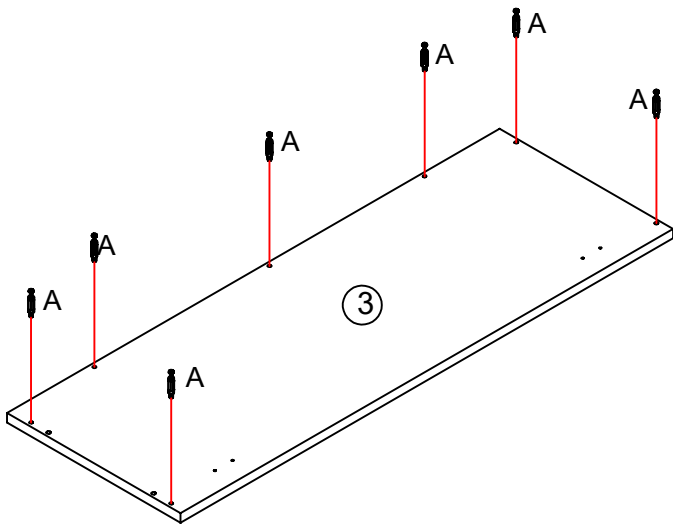
1



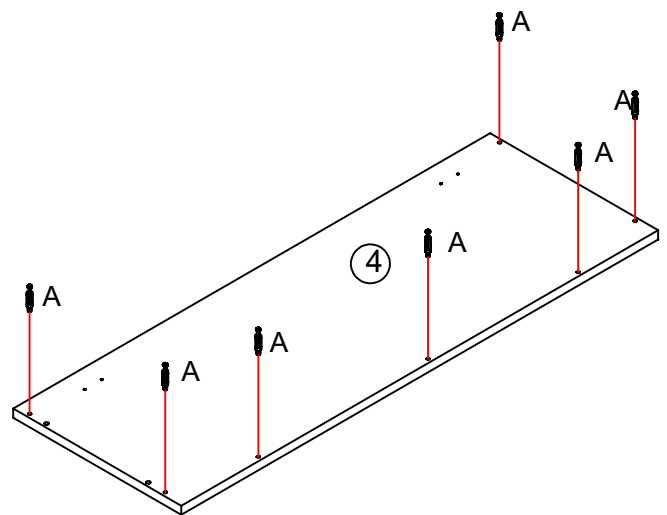
2



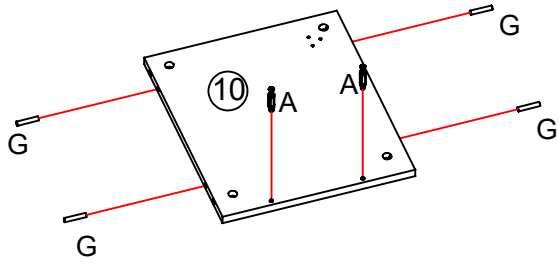
3





4

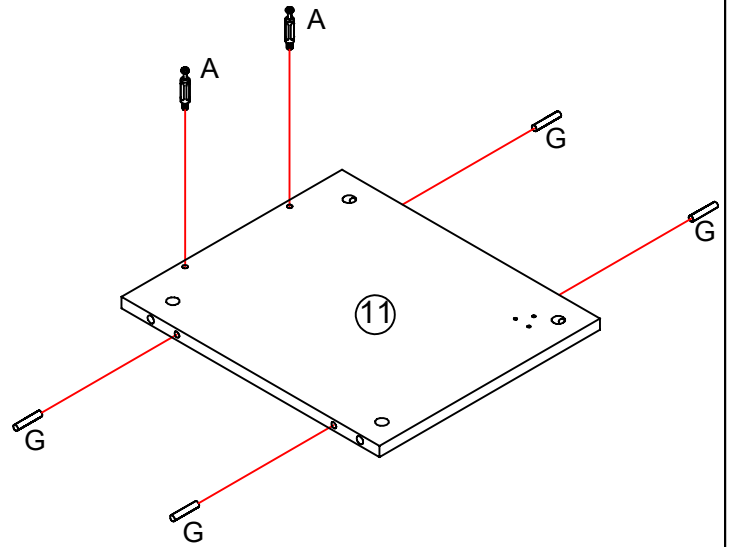




5



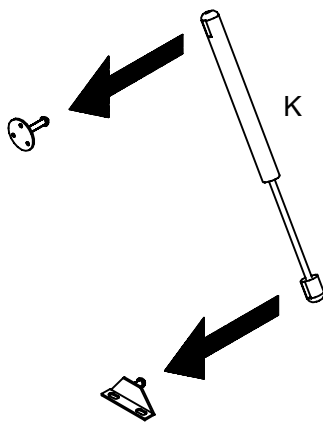
	A	x2
	G	x4

6

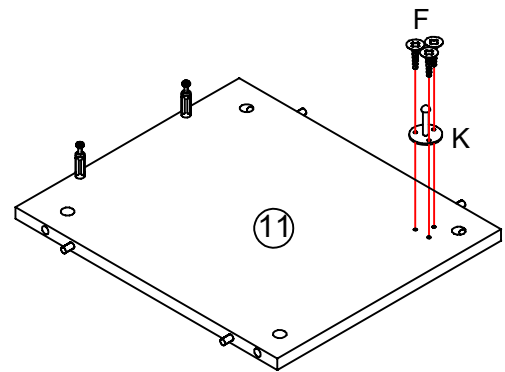



	A	x2
	G	x4

7

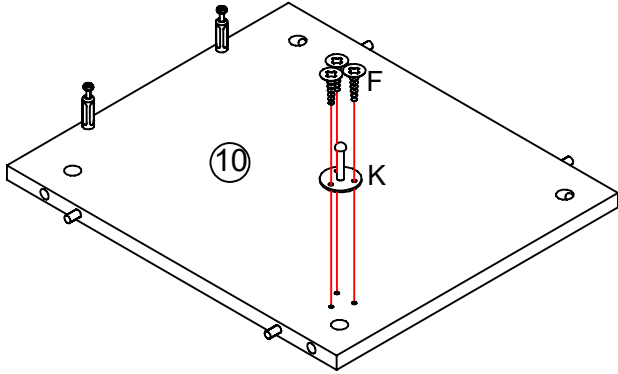


8



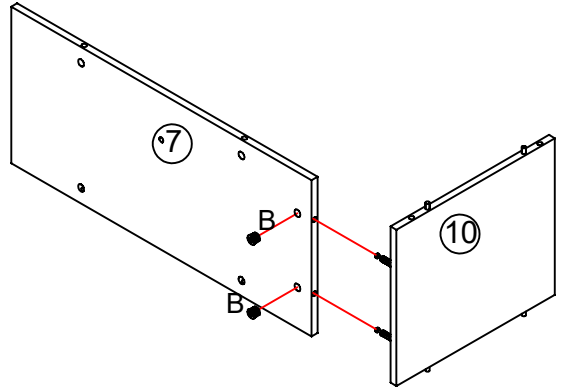
	F	x3
---	---	----


9



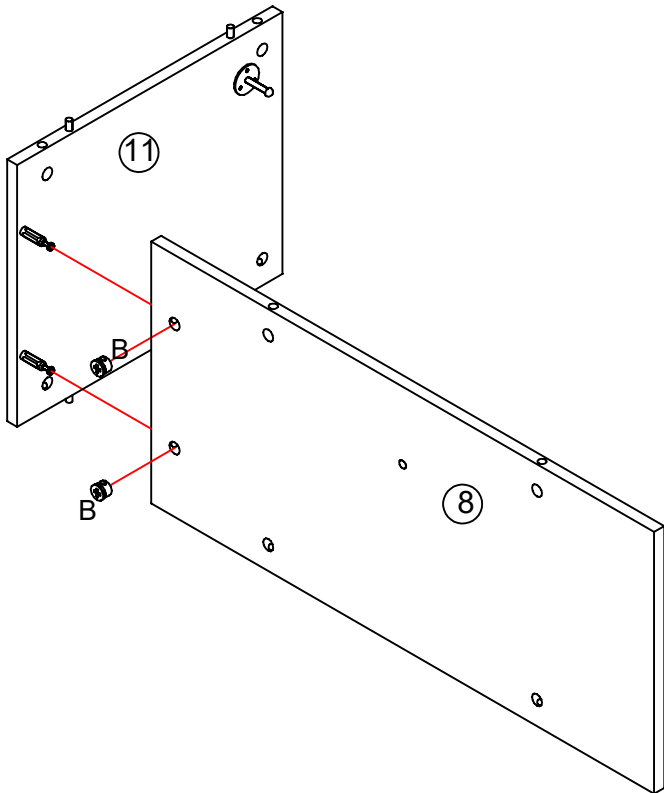
	F	x3
---	---	----


10



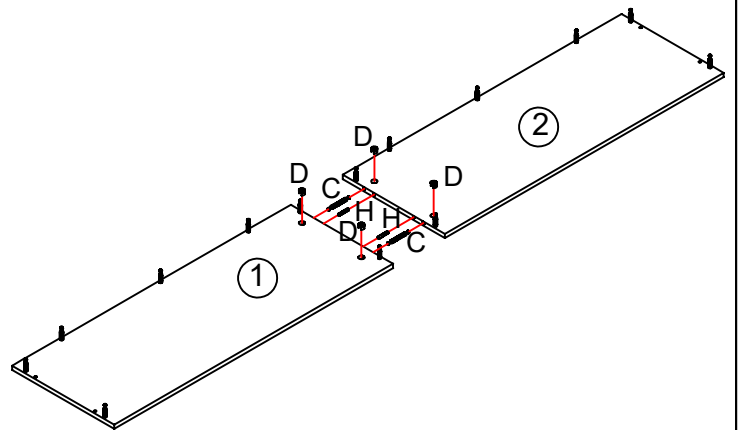
	B	x2
---	---	----




11



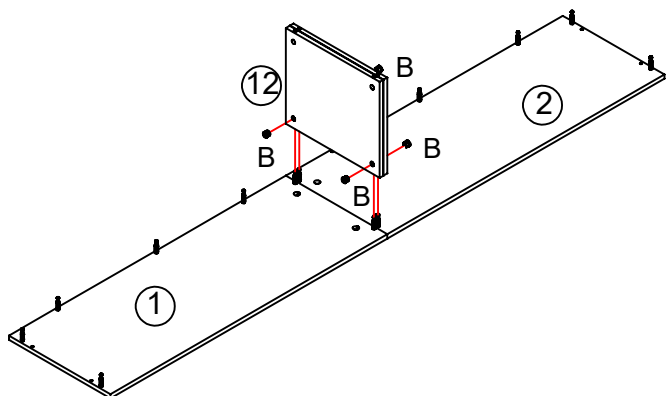
	B	x2
---	---	----


12



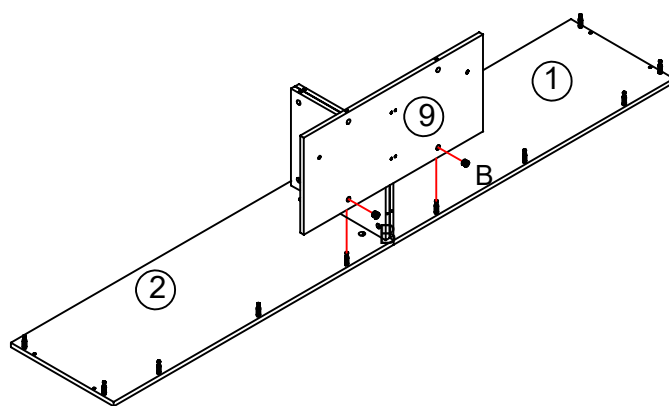
	H	x2
	C	x2
	D	x4


13



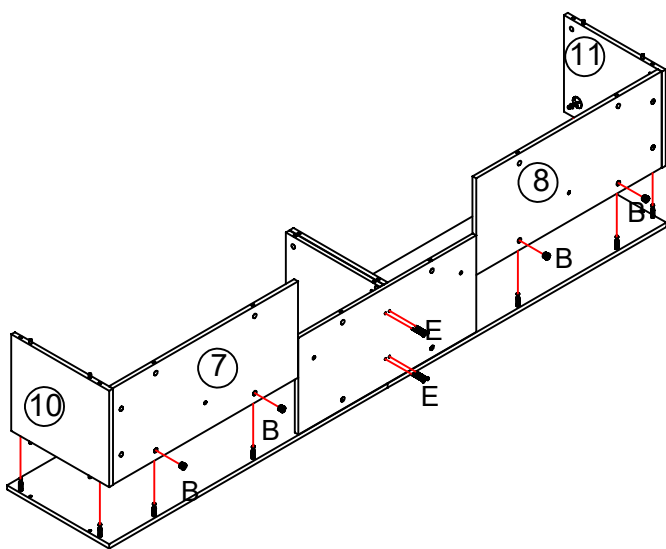
	B	x4
---	---	----



14



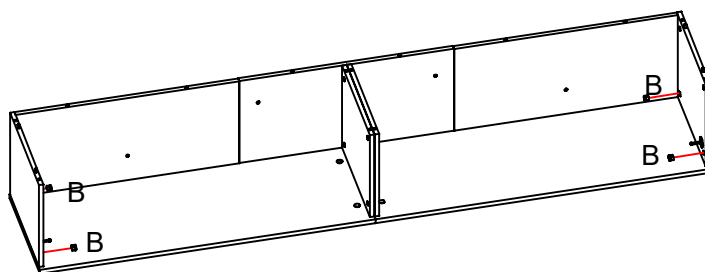
	B	x2
---	---	----

15



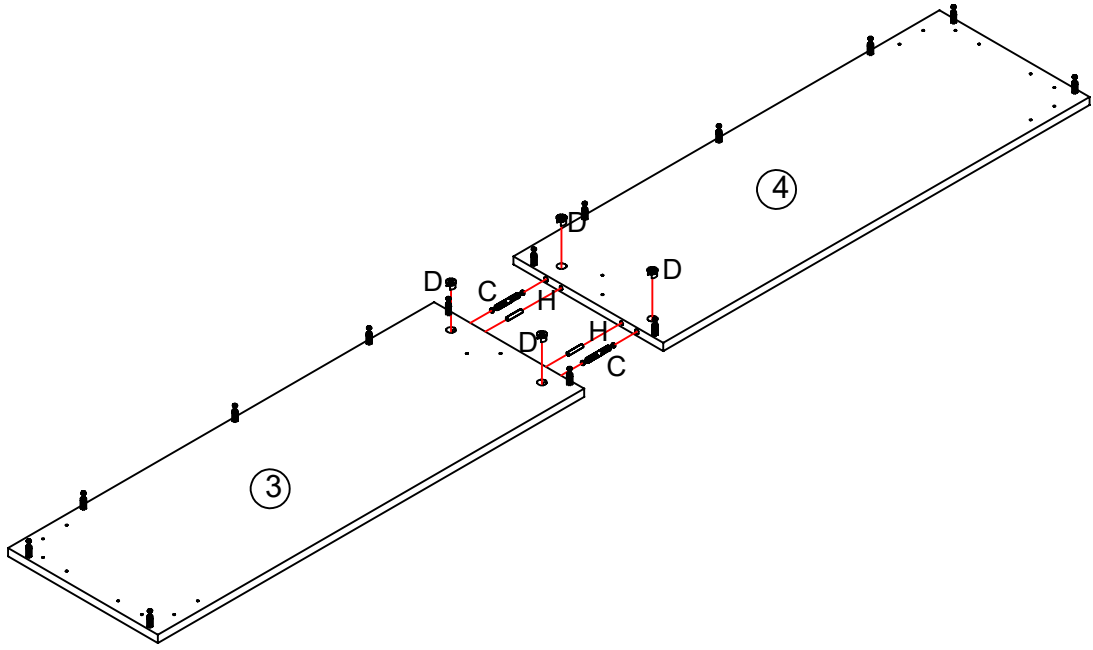
	E	x4
	B	x4




16



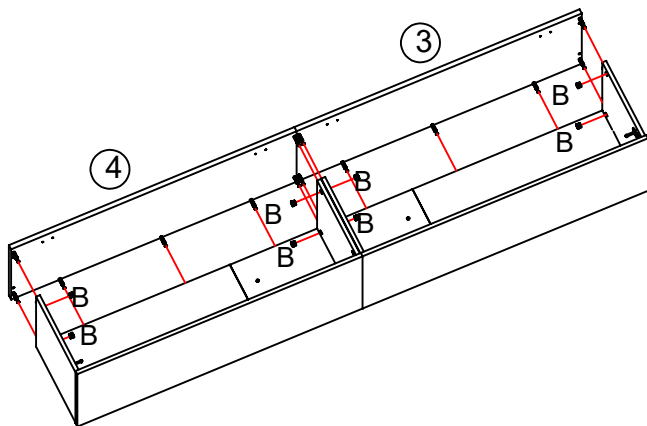
	B	x4
---	---	----


17



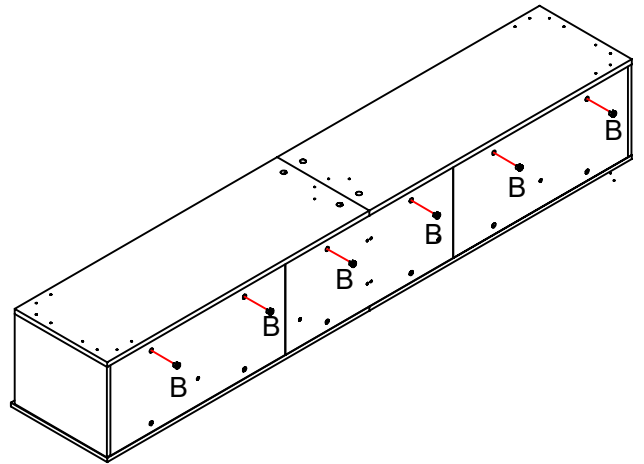
	H	x2
	C	x2
	D	x4


18



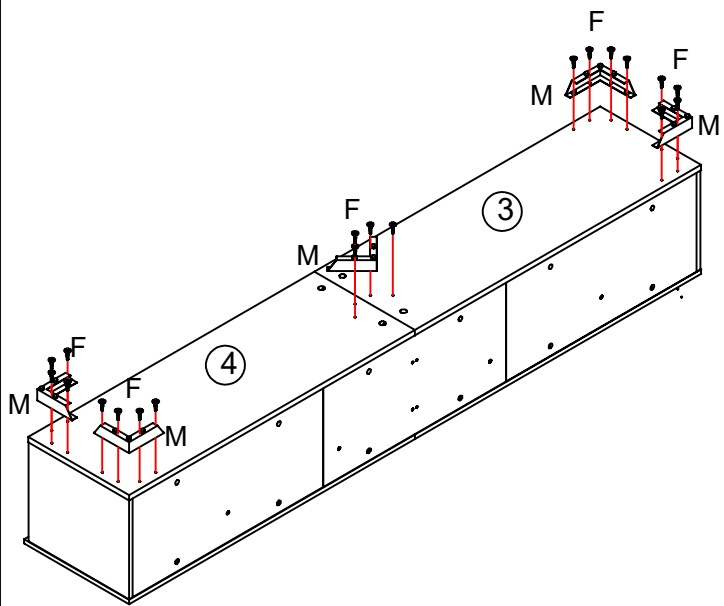
	B	x8
---	---	----



19



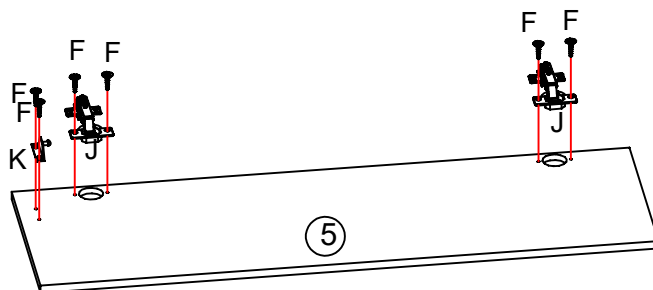
	B	x6
---	---	----

20



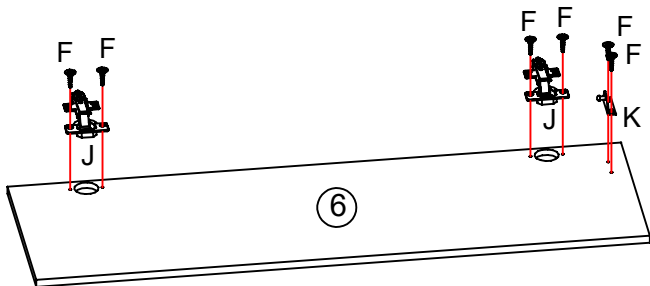
	F	x20
	M	x5



21



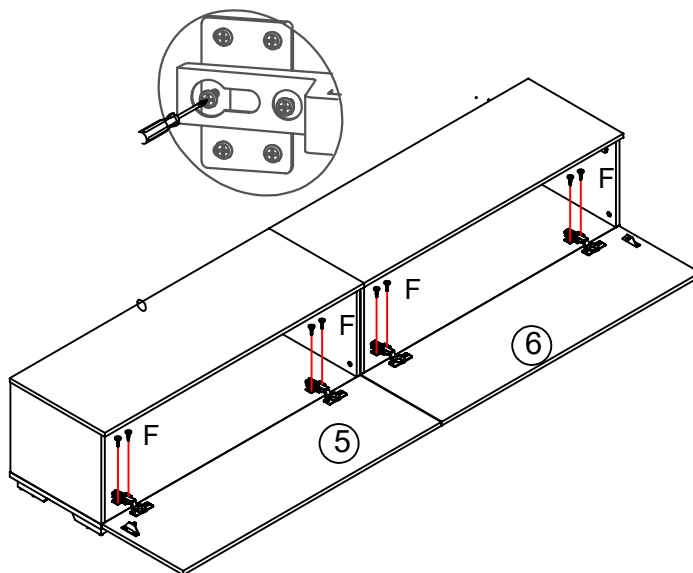
	F	x6
	J	x2

22

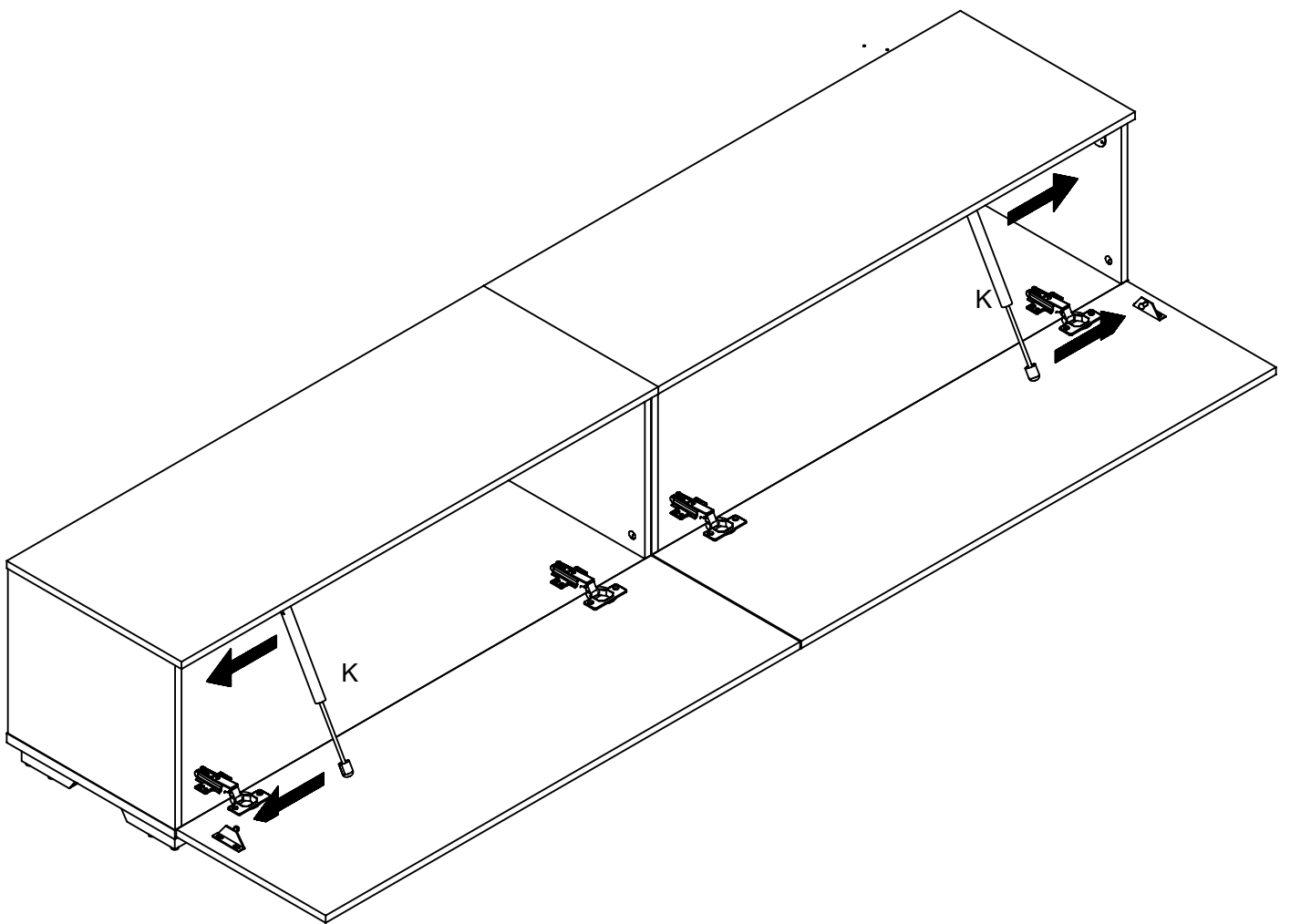


	F	x6
	J	x2

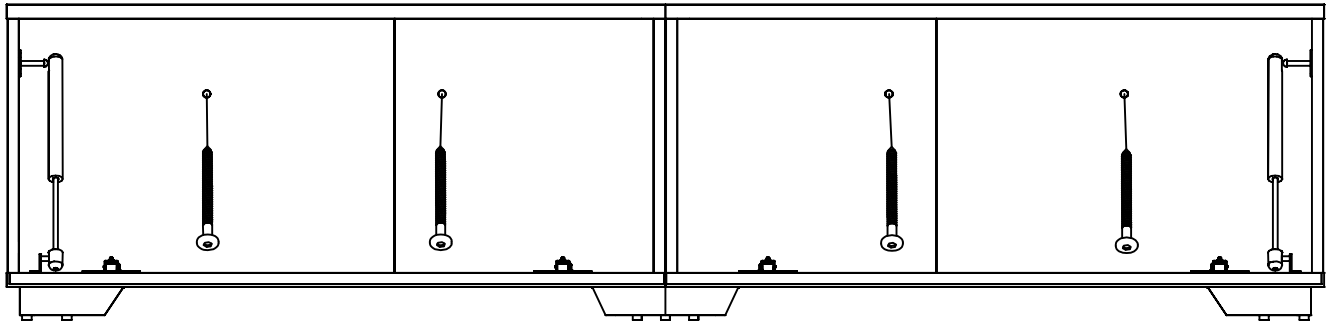
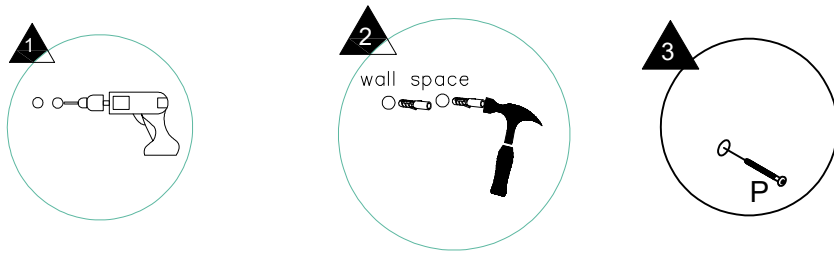
23



	F	x8
---	---	----



26



P



x4

27

