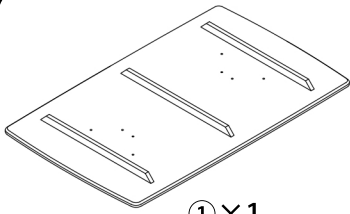
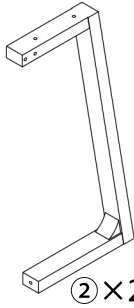


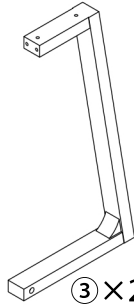
ASSEMBLY INSTRUCTION



①×1



②×2



③×2



④×14



⑤×8

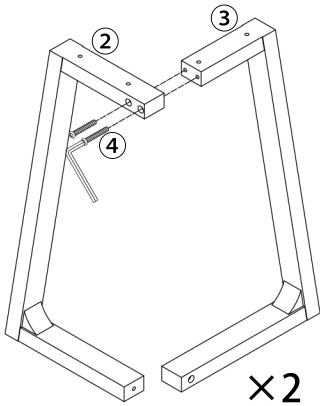


⑥×6



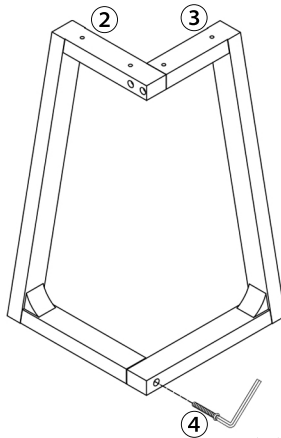
⑦×1

Installation Steps



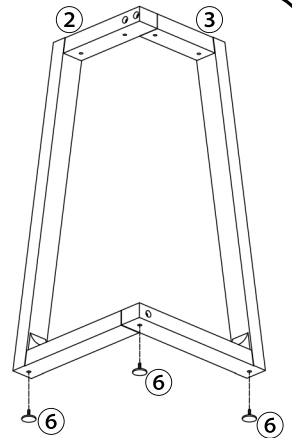
×2

Connecting parts ② ③.



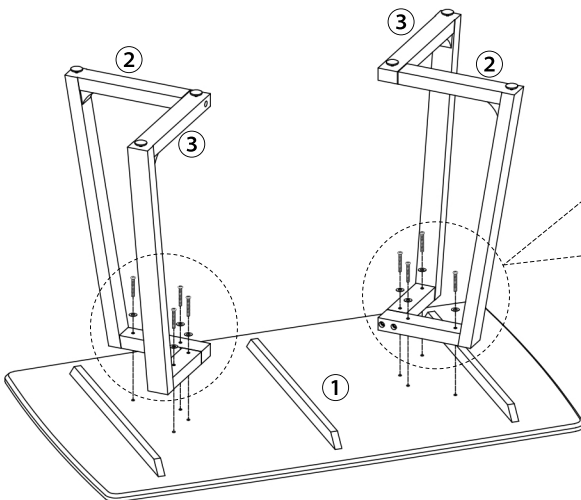
×2

Screw in the long screws.



×2

Install the adjusting feet.



Install the table legs.