



Warnings and Cautions

Please retain this instruction for future usage and read carefully before assembly.

Make sure you have all the parts & hardware as item list shows.

***2 adults or more** are recommended to install your gazebo.*

Do not discard any of the packaging until you have checked that you have all the parts and pack of fittings.

Check all bolts for tightness before use, and periodically check and tighten bolts ensure your gazebo works properly.

Some parts might have sharp edges/corners. Please follow basic safety precautions to reduce the risk of hurts.

*Maximum weight capacity is **2000 pounds**.*

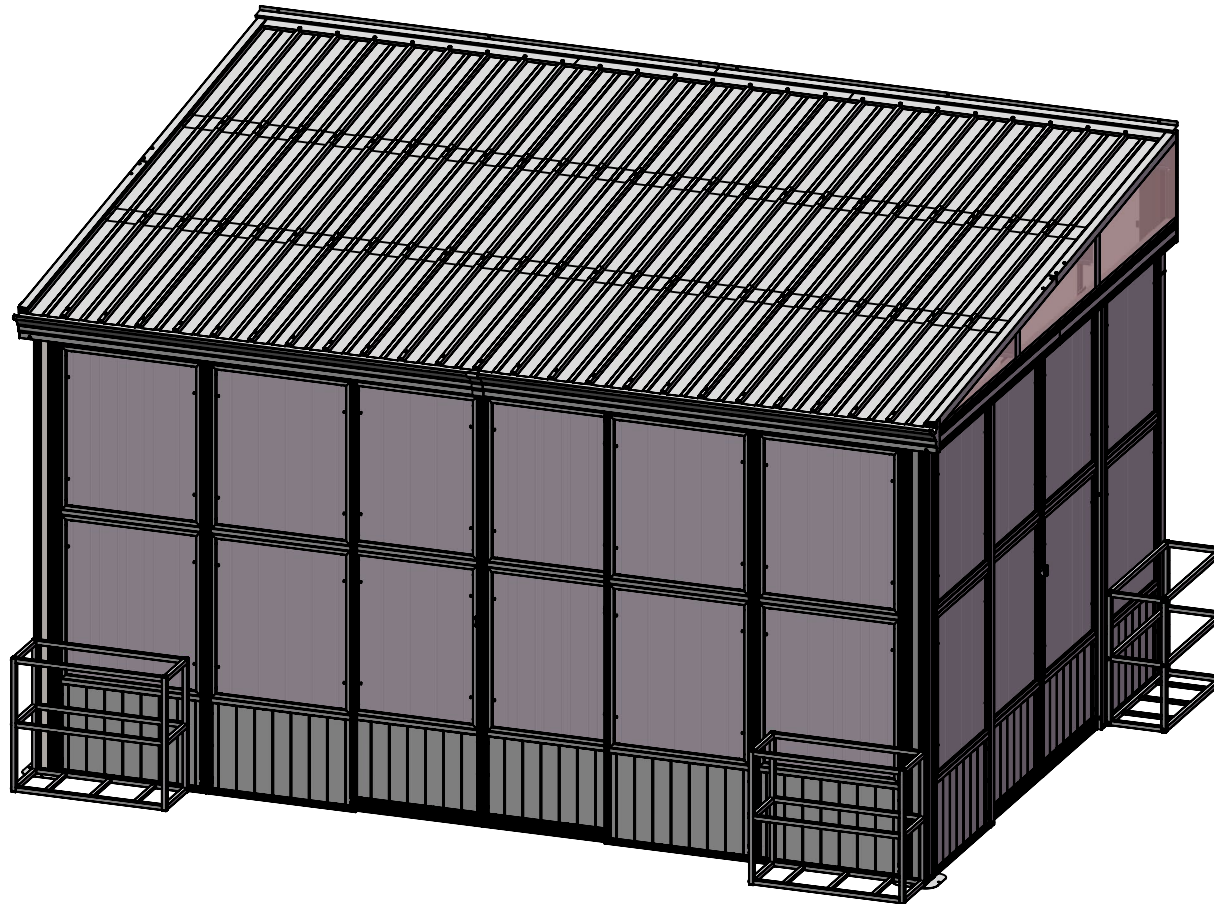
*It is essential to place the gazebo on level ground and not less than **6 feet** from any obstruction such as fences, garages, **overhanging branches, laundry lines, or electrical wires**.*

If you have questions or concerns.

*Please contact us via email at **service@domioutdoorliving.com***

Domi outdoor living

domi
outdoor living



10'x14'

SKU: LGMF1701

WALL MOUNT SUNROOM

Assembly Manual

Thank you for your purchase of
Domi outdoor living's Sunroom

Read and follow this assembly and operation guide.

To reduce personal injury and damage to you Sunroom

We recommend a **three-person team** for assembly and disassembly.

Please **remove** snow accumulation at all times.

Please schedule enough time to complete the assembly of the sunroom.

It will takes approximately 7 hours to set up.

If you like our products, please tell other customers

If you have problem with our products, please tell us

Please feel free to contact us.

DOMI OUTDOOR LIVING

domi
outdoor living

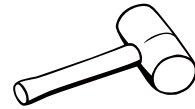
Pre-assembly

TOOLS THAT MAY BE REQUIRED (Not included in boxes)

*NOTE: Tools / equipment are not shown to actual size and scale.



LEVEL



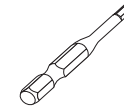
RUBBER MALLET



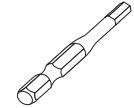
PHILLIPS SCREW



DRILL



ALLEN KEY



ALLEN KEY

EQUIPMENT REQUIRED (Not included in boxes)

*NOTE: Equipment are not shown to actual size and scale.



SAFETY HAT



GLOVES



SAFETY GOGGLES



STEPLADDER

Please leave all the bolts a little loose when assembling and then go back to the end of the assembly process to tighten all of the bolts.

Matters needing attention



1. Three or more people are required for assembly.



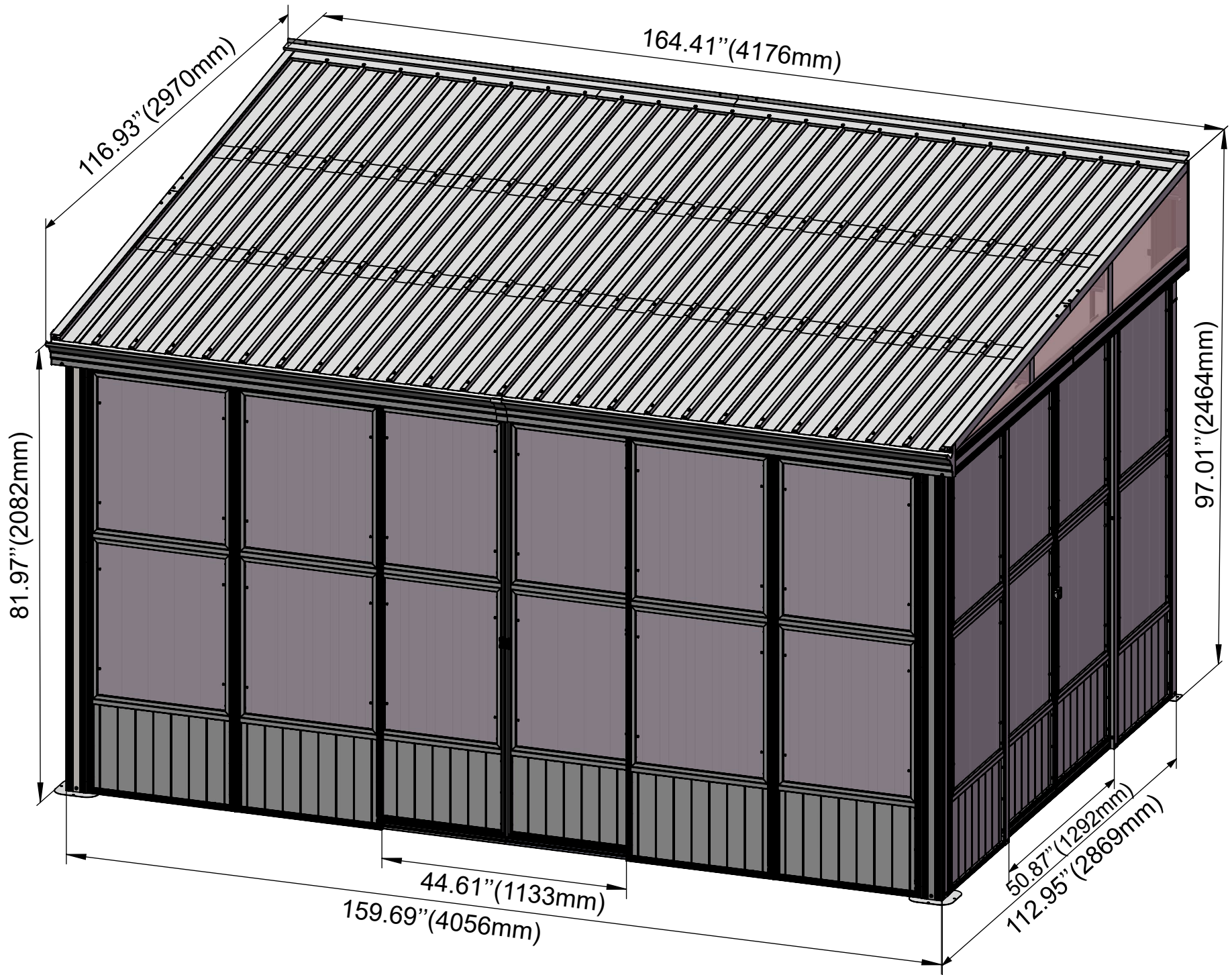
2. Do not fully tighten screws prior to complete assembly.

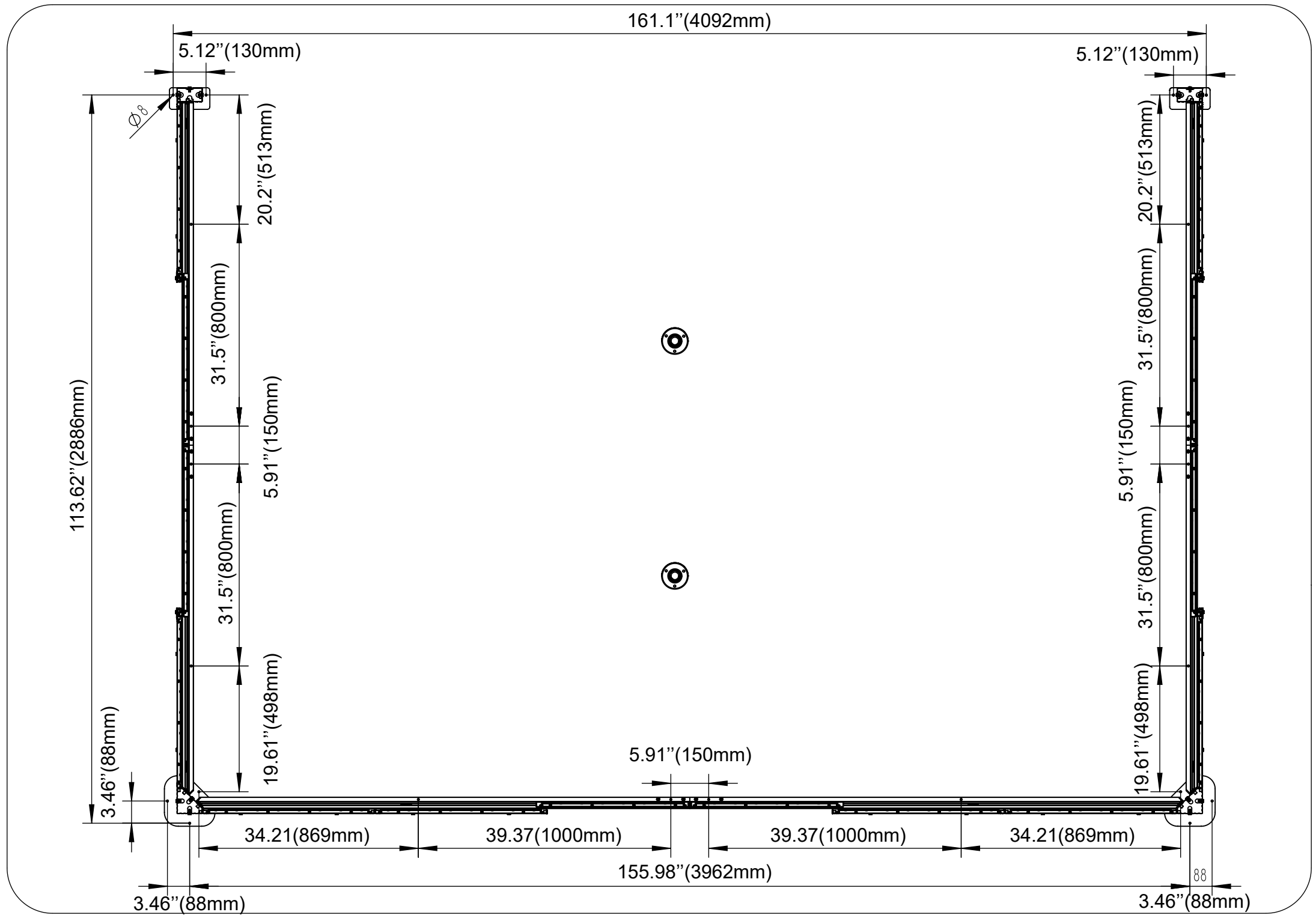
Regulation

IMPORTANT: A sunroom may entail to purchase a municipal permit or be subject to specific building codes. It is the consumer's responsibility to inform themselves of any restrictions.

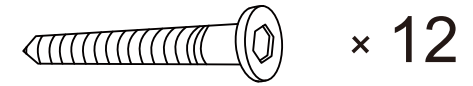
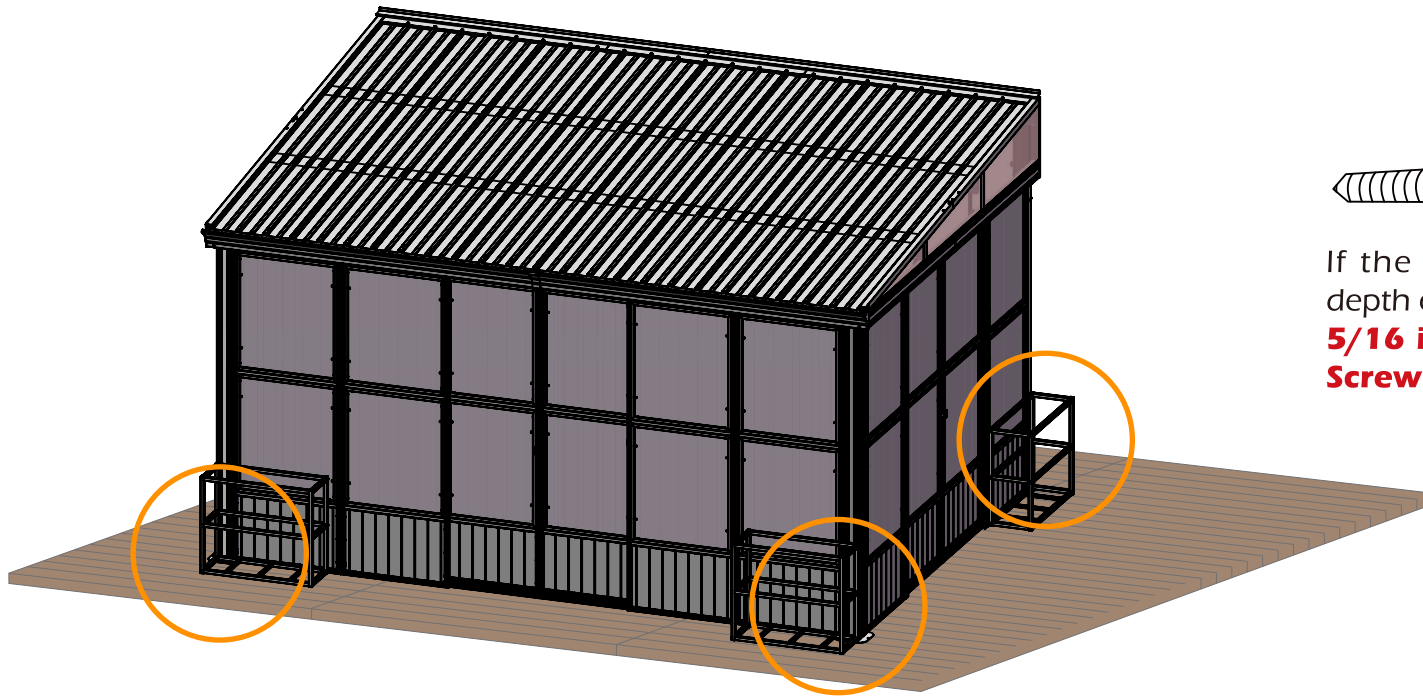
Care and Cleaning:

For cleaning, use a domestic soap or detergent and wash with warm water using a sponge or fabric. Rinse with clean water.

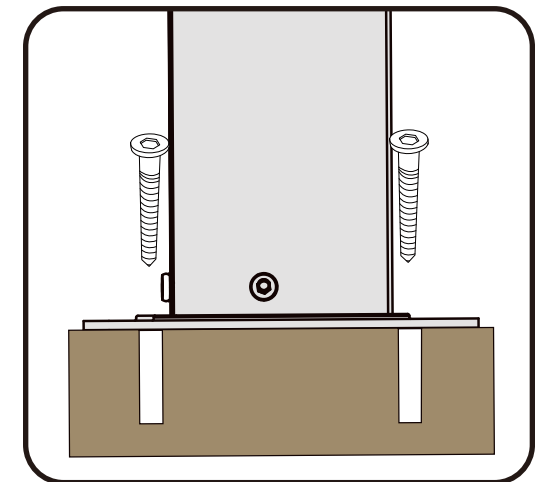
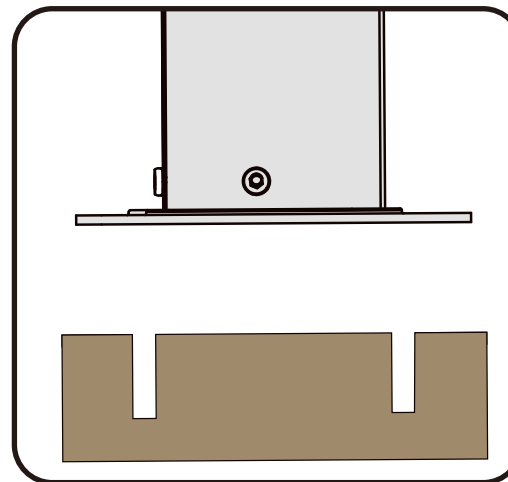




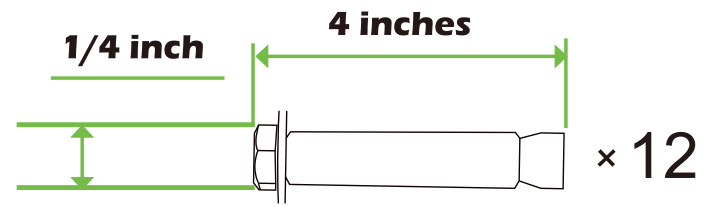
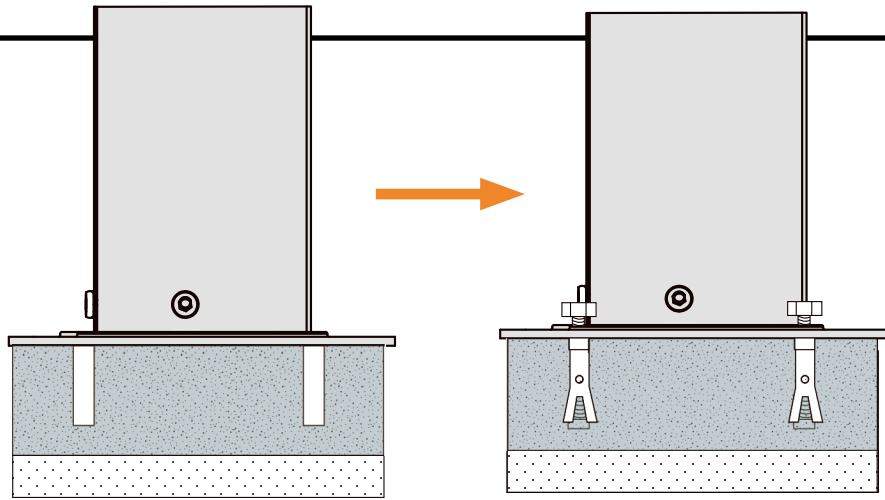
1



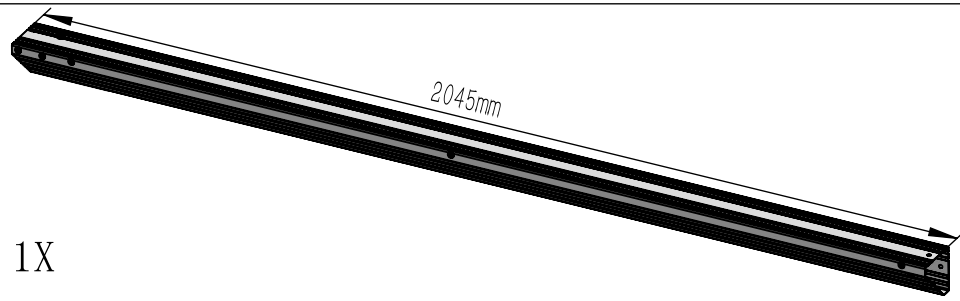
If the deck is hard wood and the depth of it is over 3 inch, you can use **5/16 in. x4 in. Structural Wood Screw** to mount the pergola.



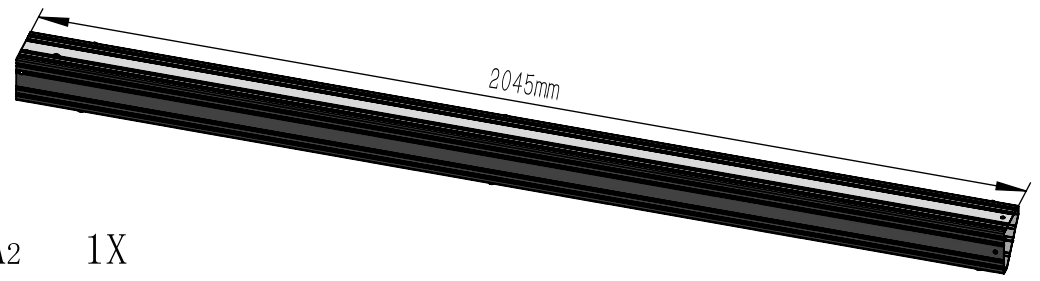
2



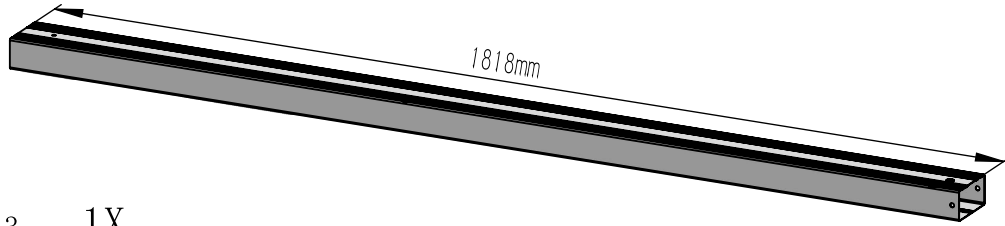
If the ground is concreted and the depth of it is over 3 inch, you can use 1/4 inch expansion bolts to mount the pergola



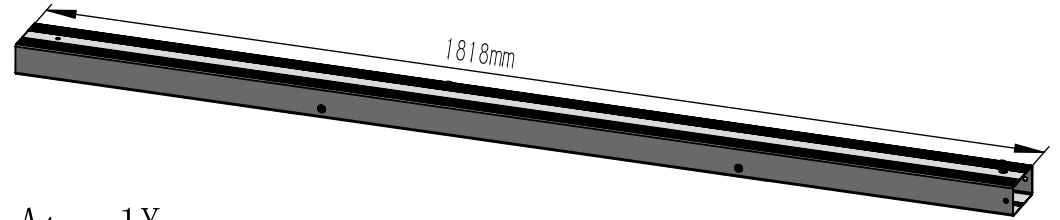
A1 1X



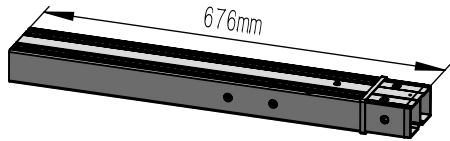
A2 1X



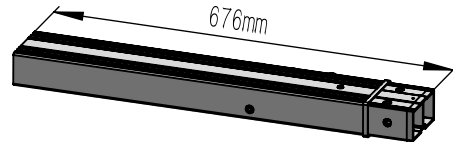
A3 1X



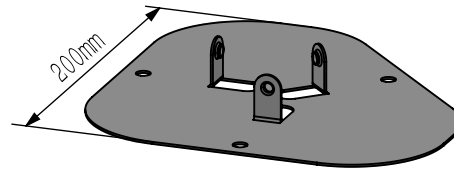
A4 1X



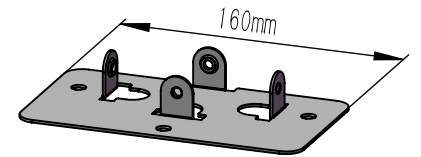
A5 1X



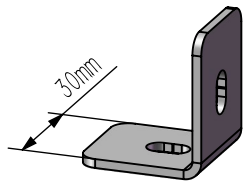
A6 1X



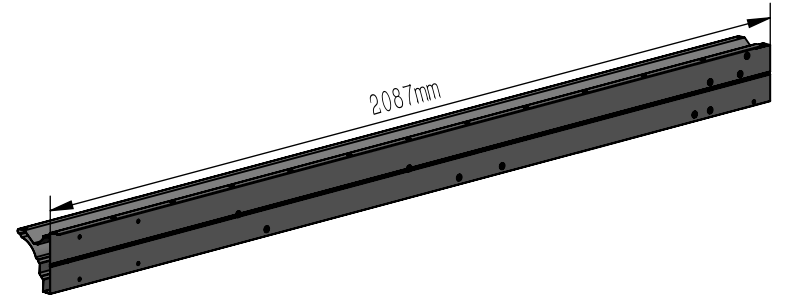
A7 2X



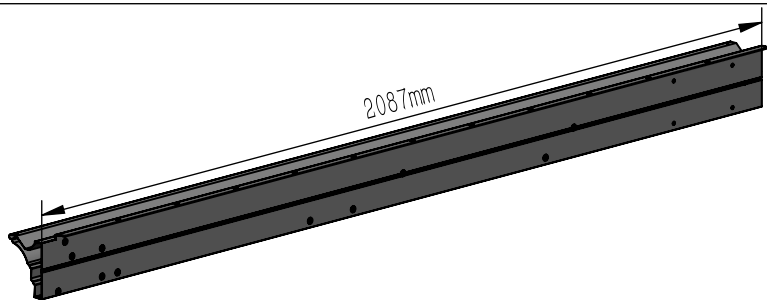
A8 2X



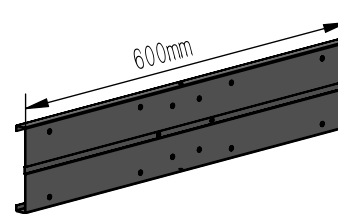
A9 6X



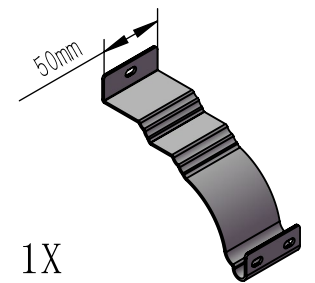
B1 1X



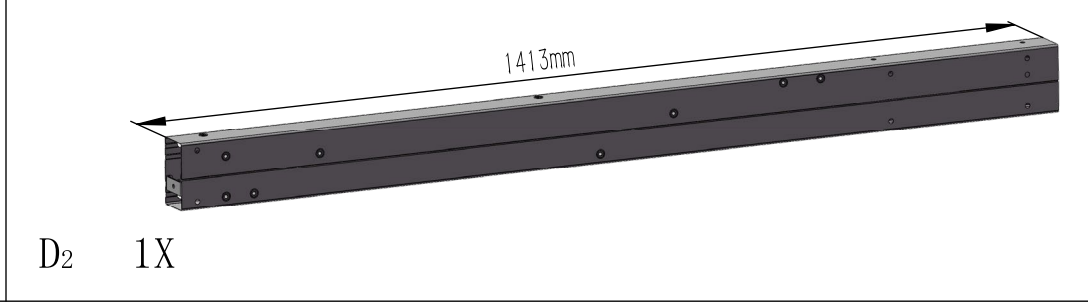
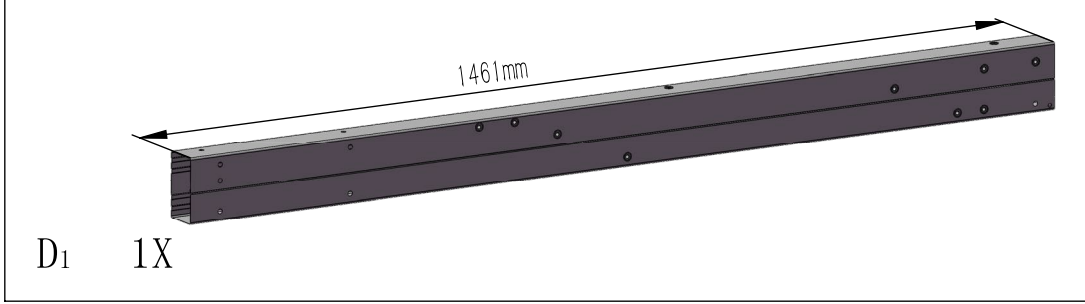
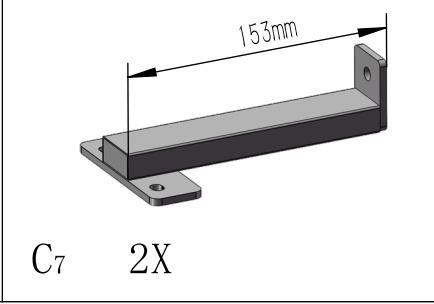
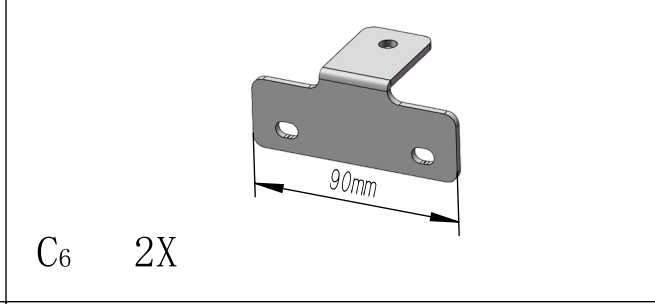
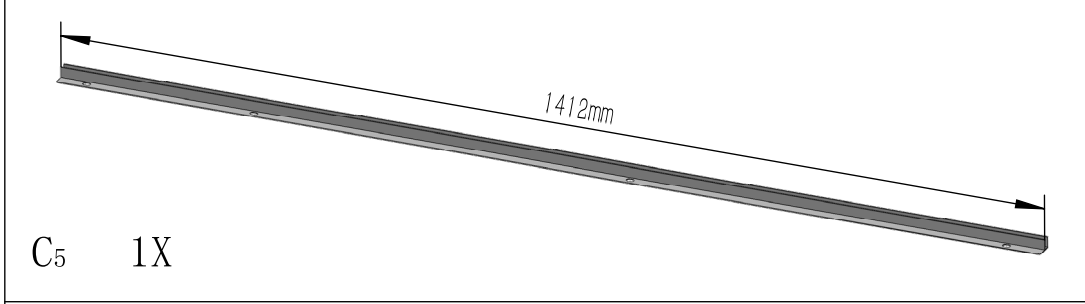
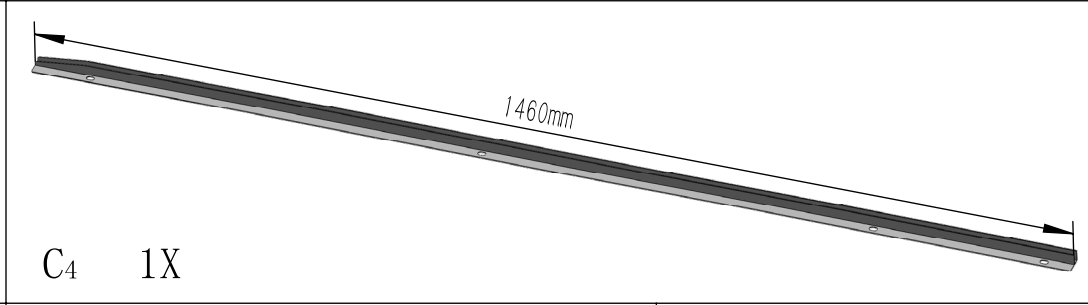
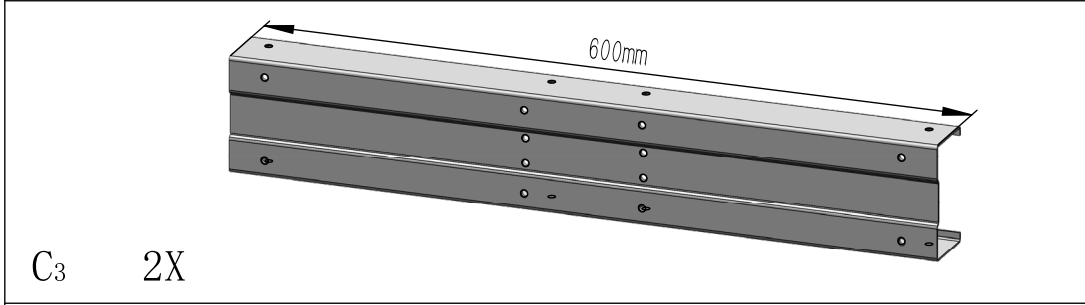
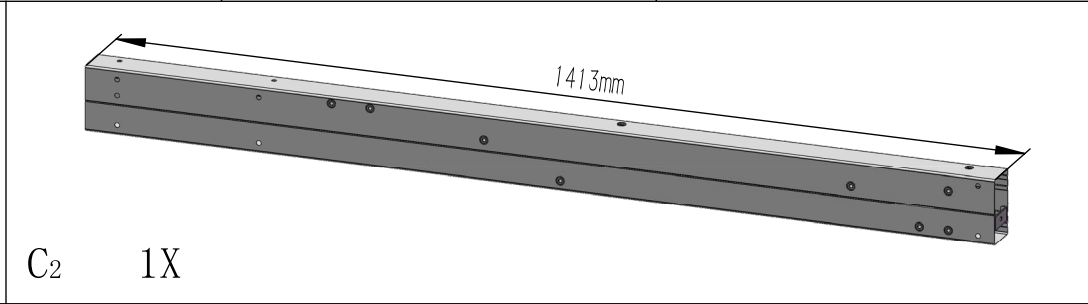
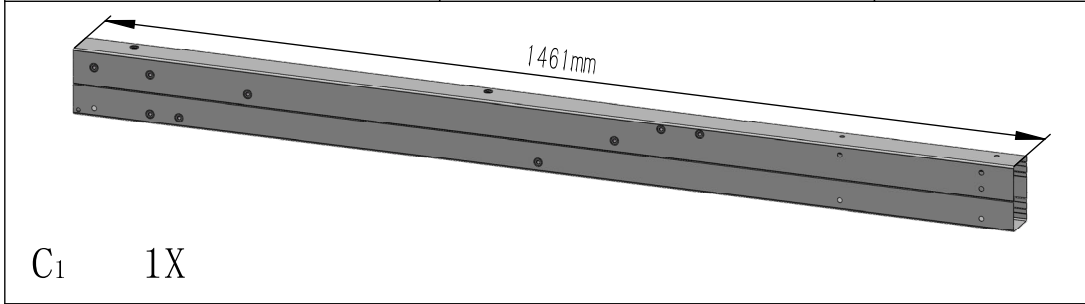
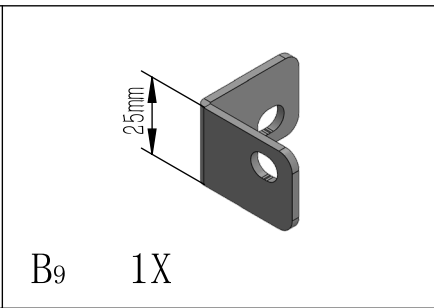
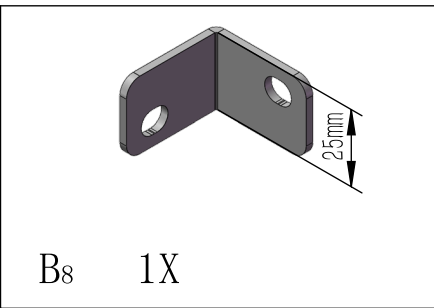
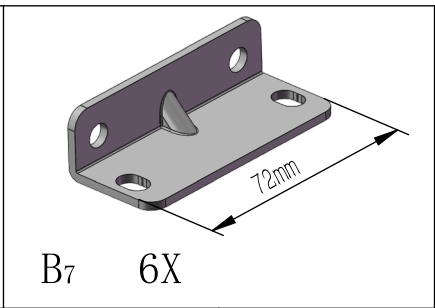
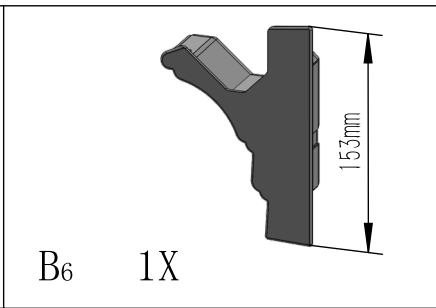
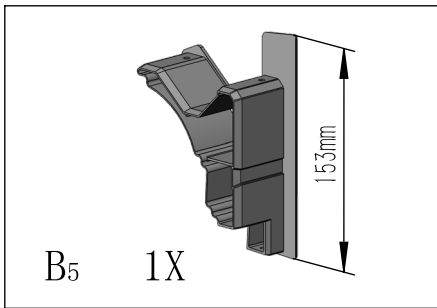
B2 1X

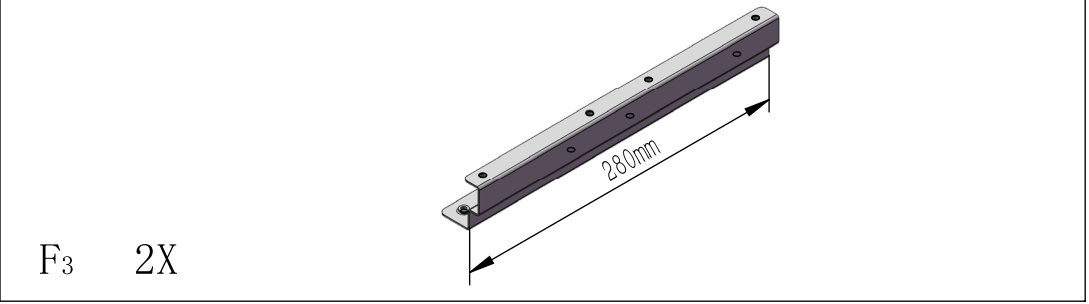
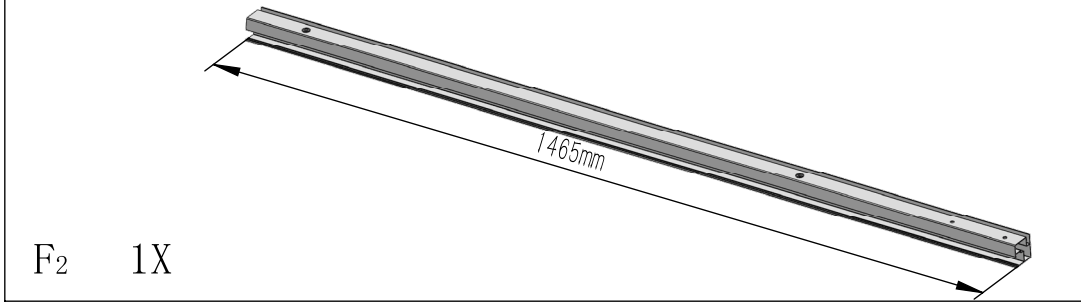
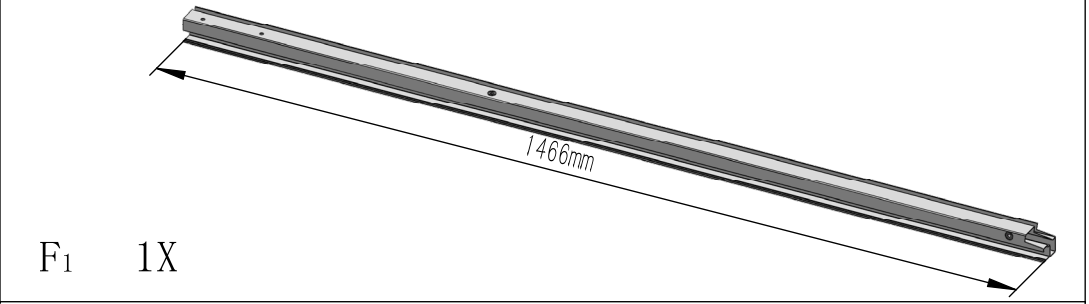
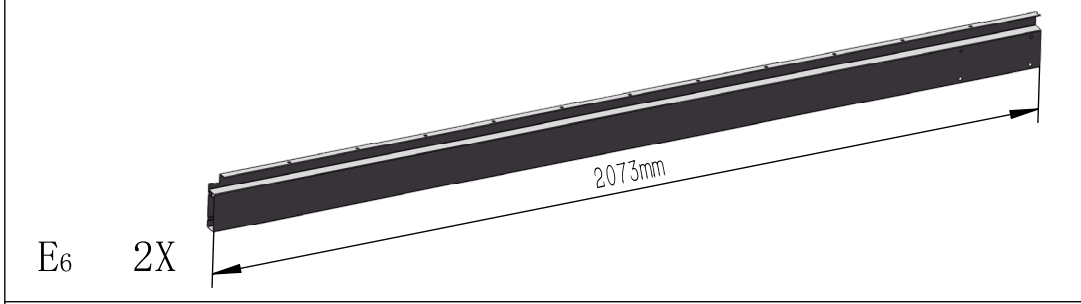
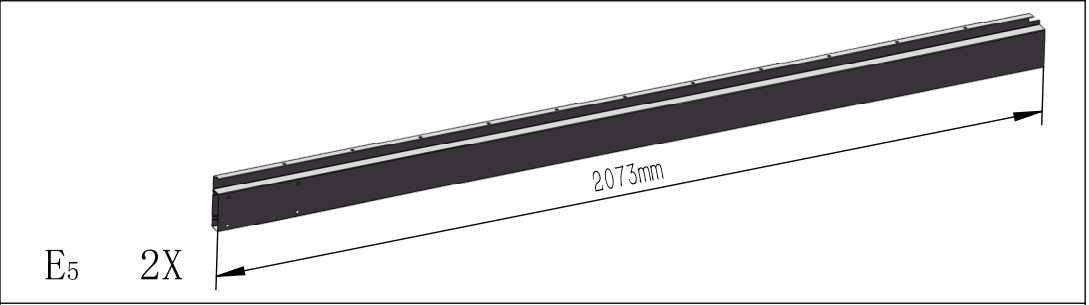
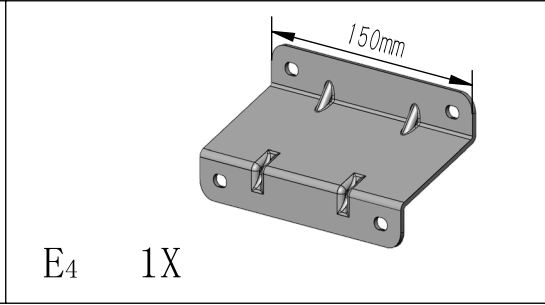
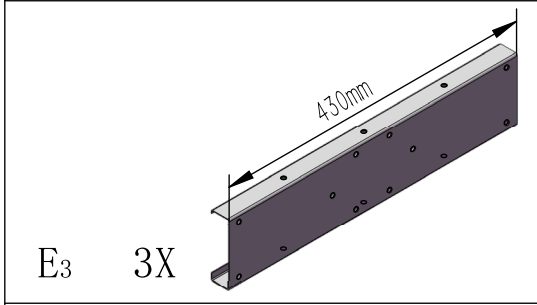
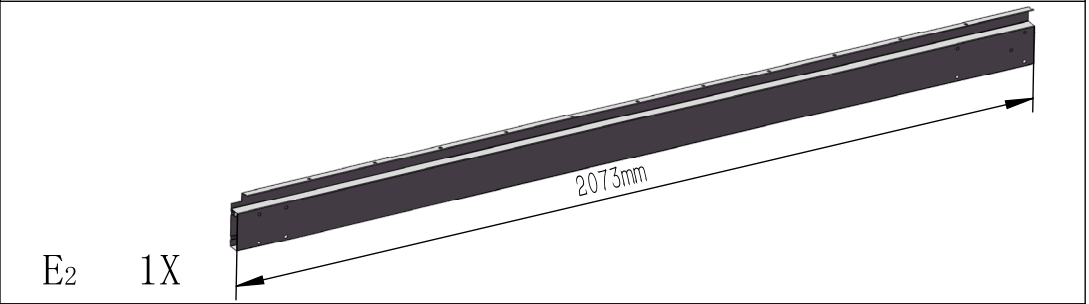
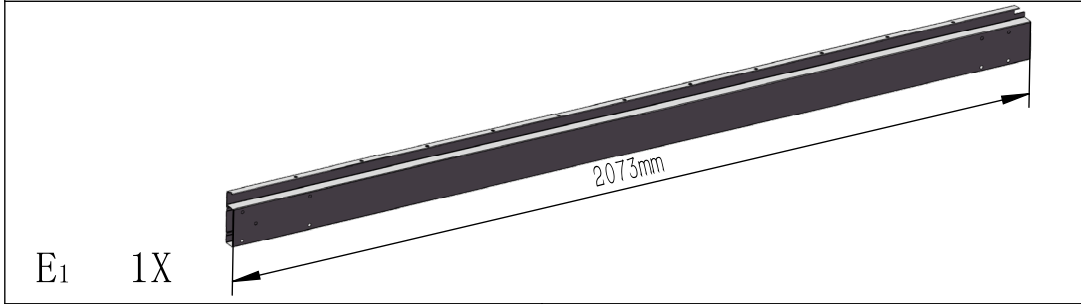
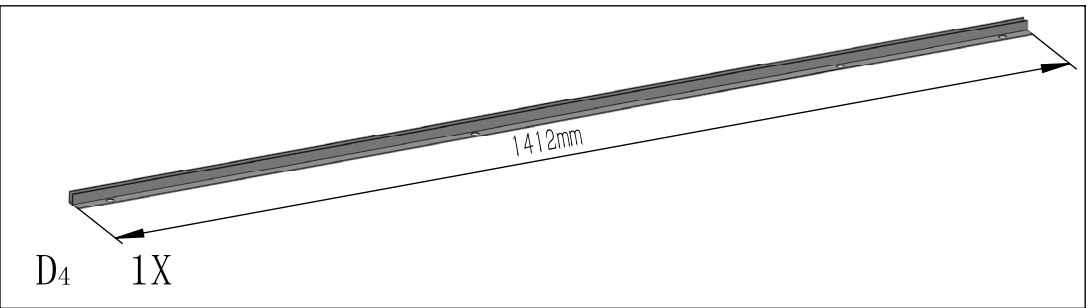
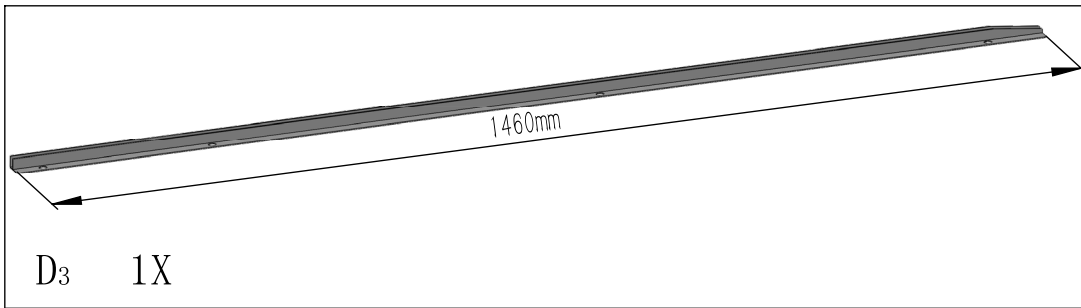


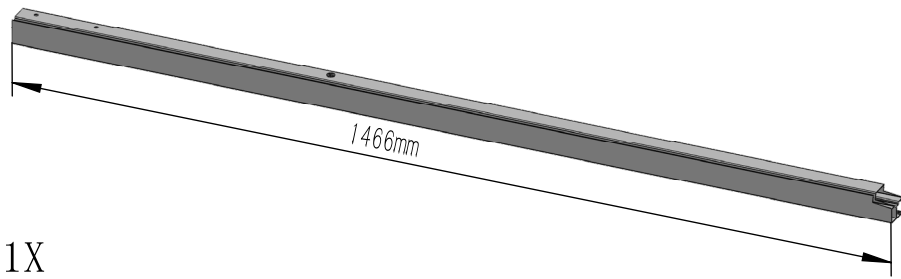
B3 1X



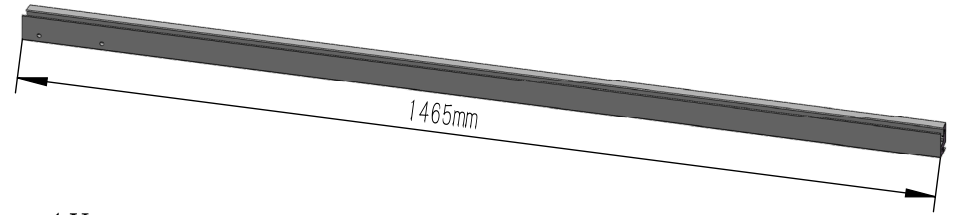
B4 1X



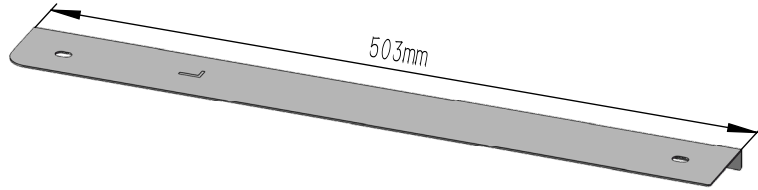




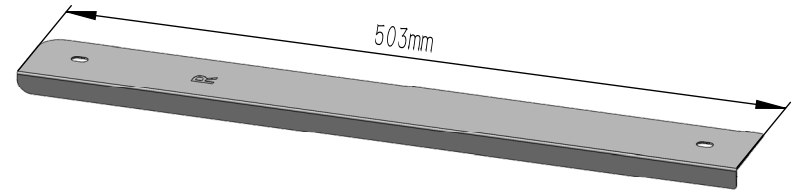
F4 1X



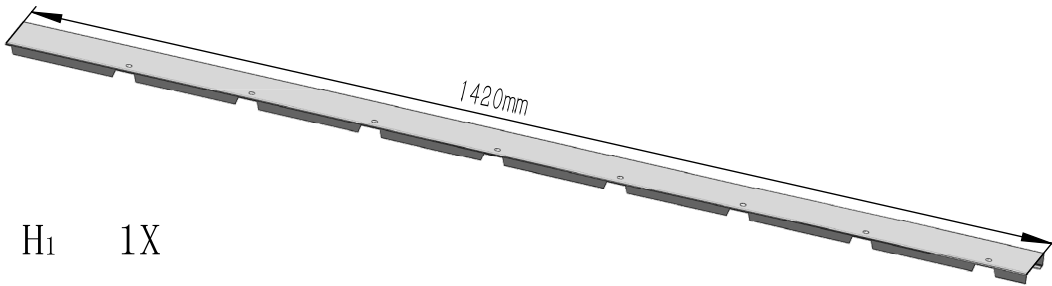
F5 1X



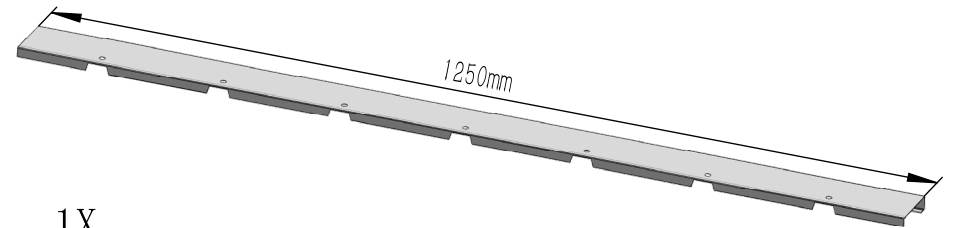
G1 1X



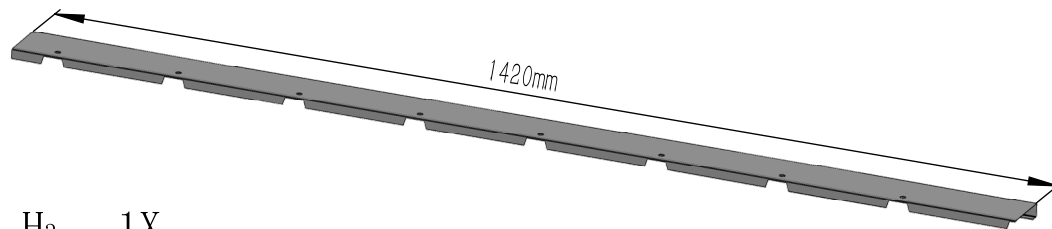
G2 1X



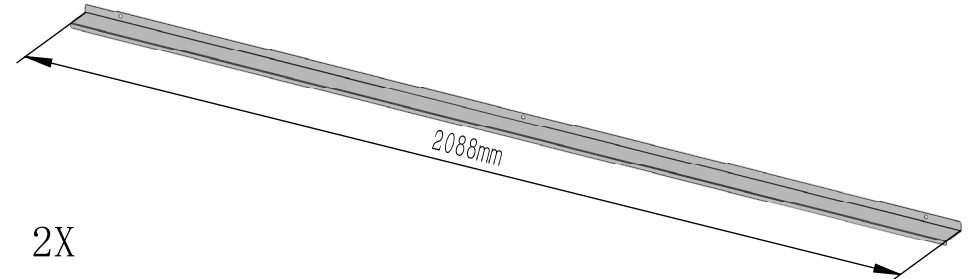
H1 1X



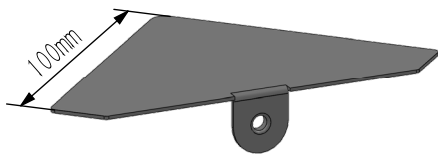
H2 1X



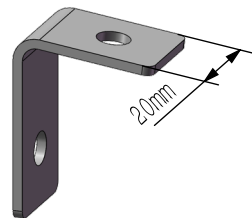
H3 1X



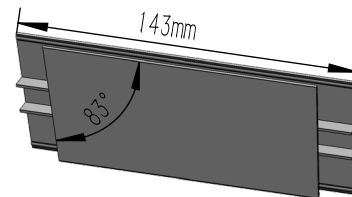
H4 2X



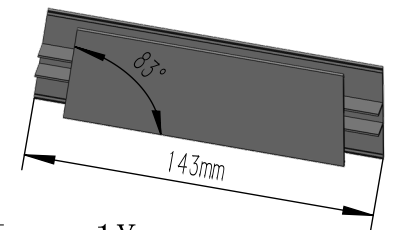
I1 2X



I2 6X

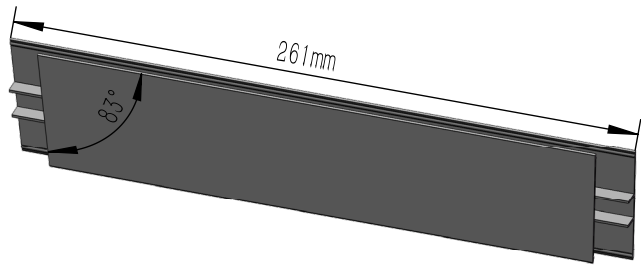


J1 1X

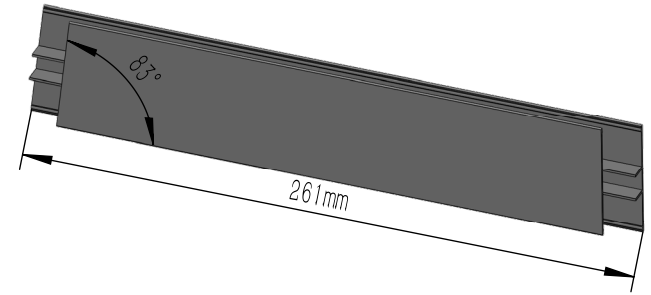


J2 1X

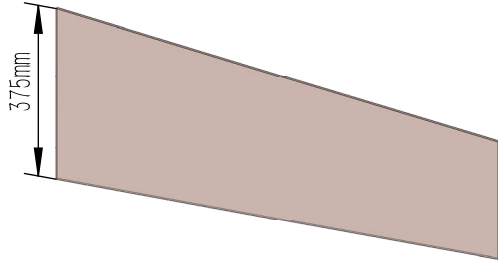
J₃ 1X



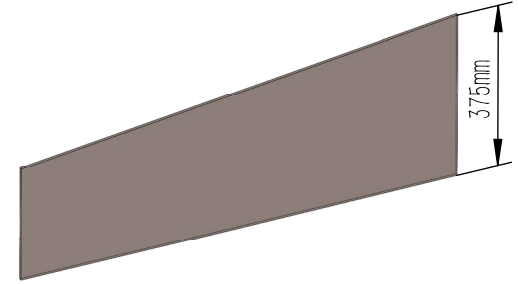
J₄ 1X



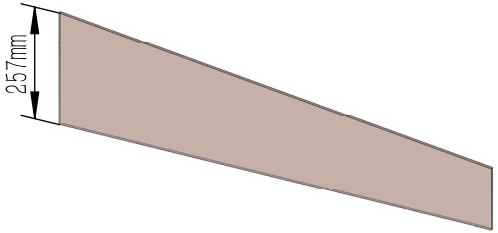
J₅ 1X



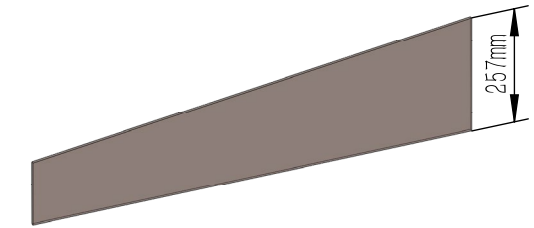
J₆ 1X



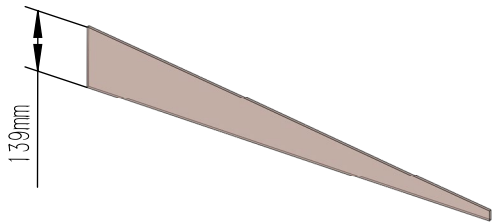
J₇ 1X



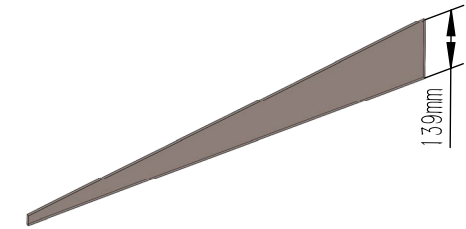
J₈ 1X



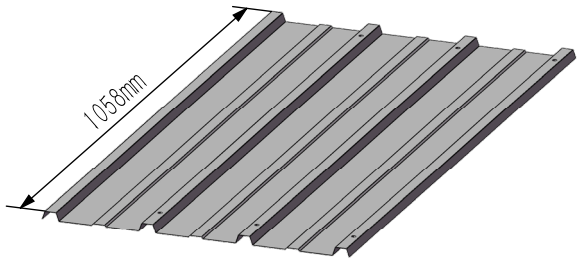
J₉ 1X



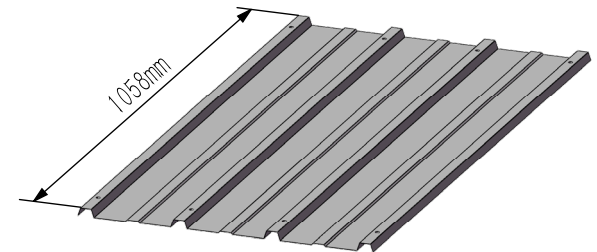
J₁₀ 1X

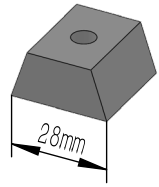


K₁ 6X

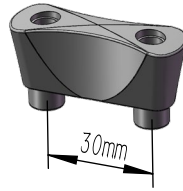


K₂ 18X

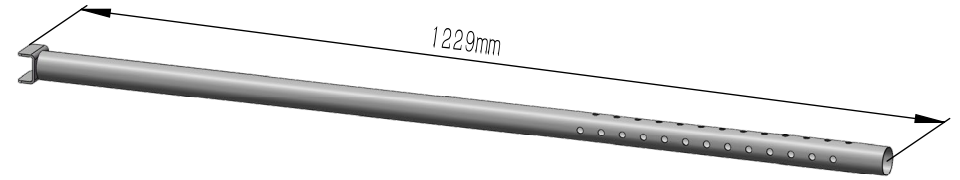




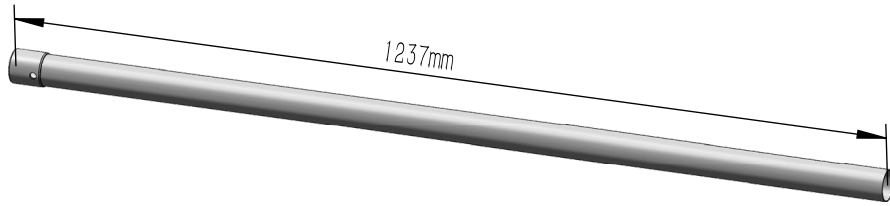
K₃ 92X



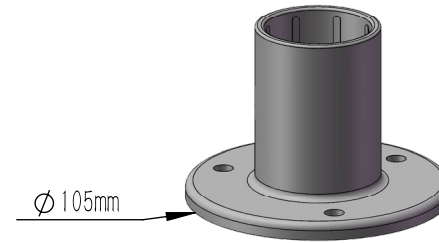
K₄ 12X



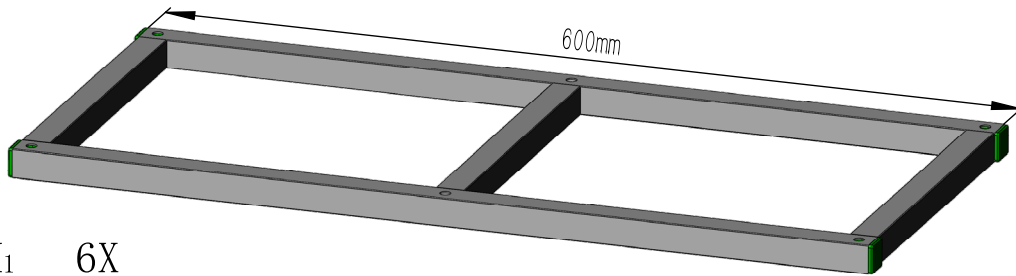
L₁ 2X



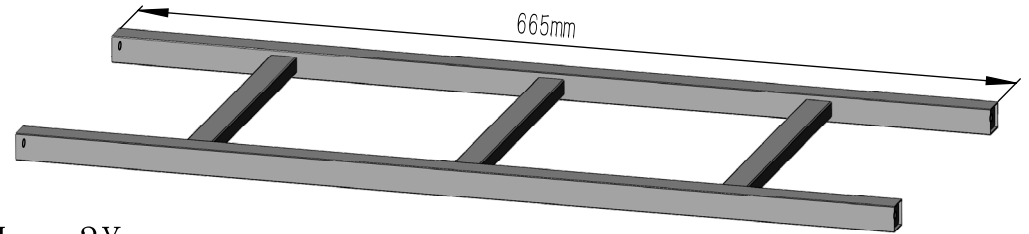
L₂ 2X



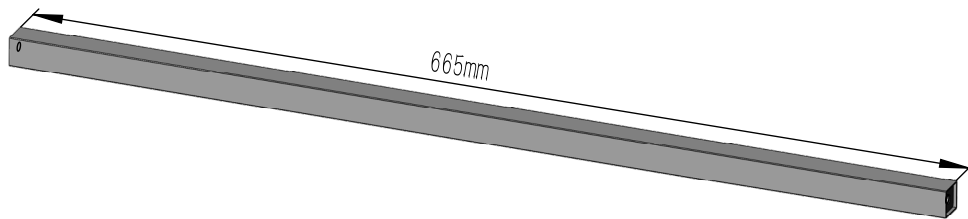
L₃ 2X



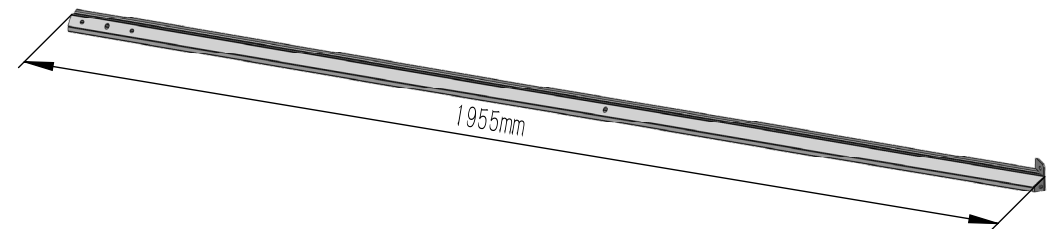
M₁ 6X



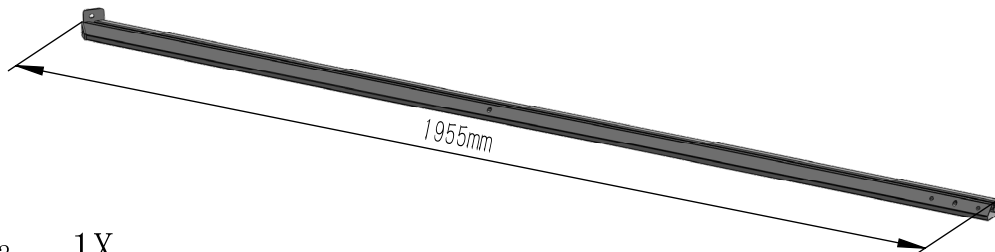
M₂ 3X



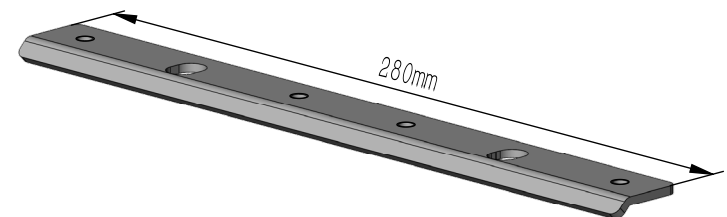
M₃ 12X



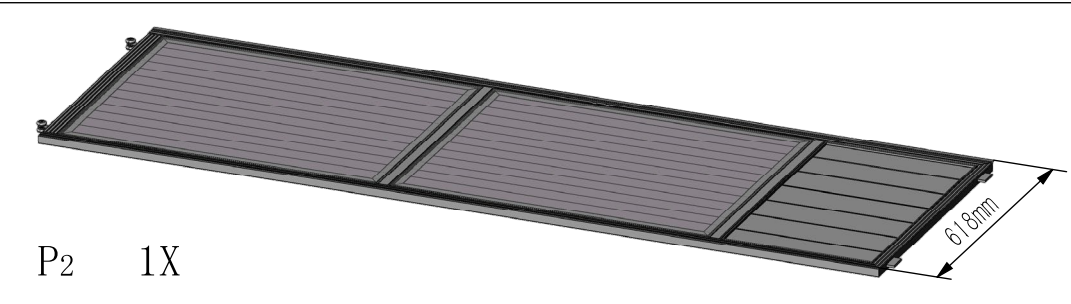
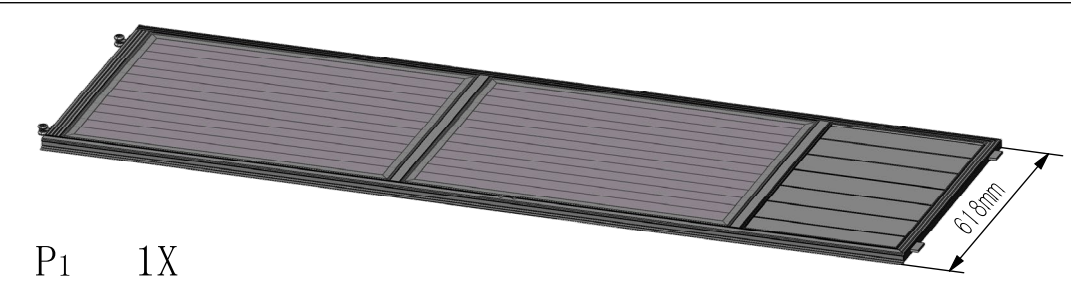
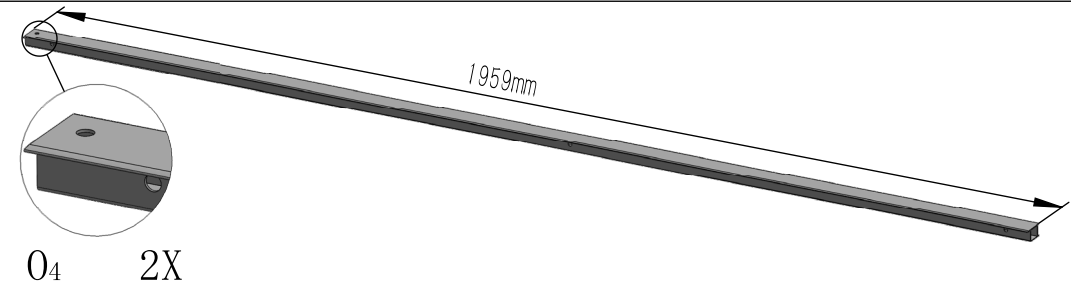
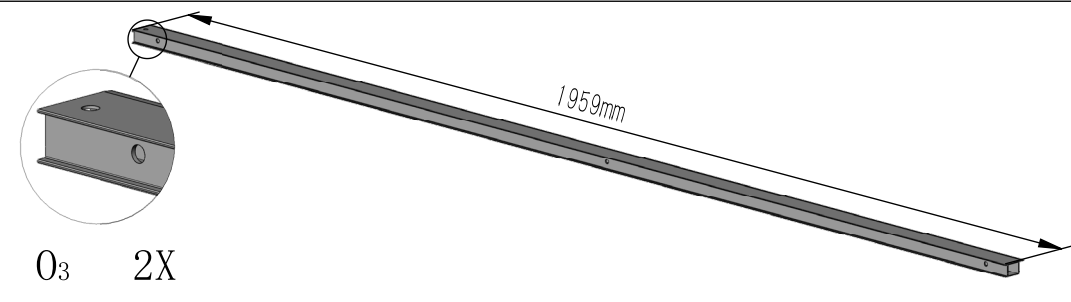
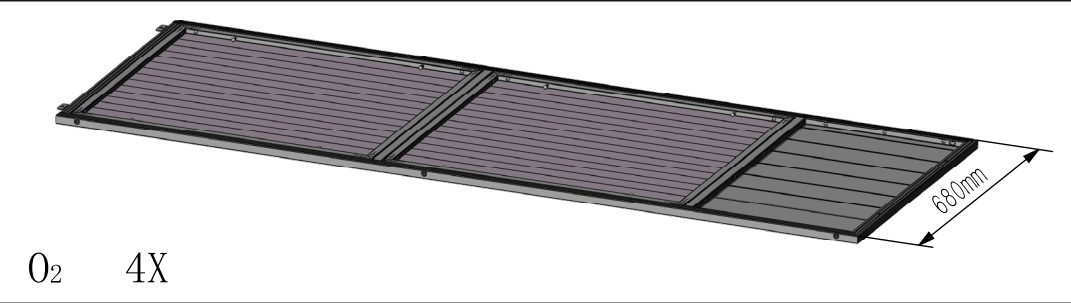
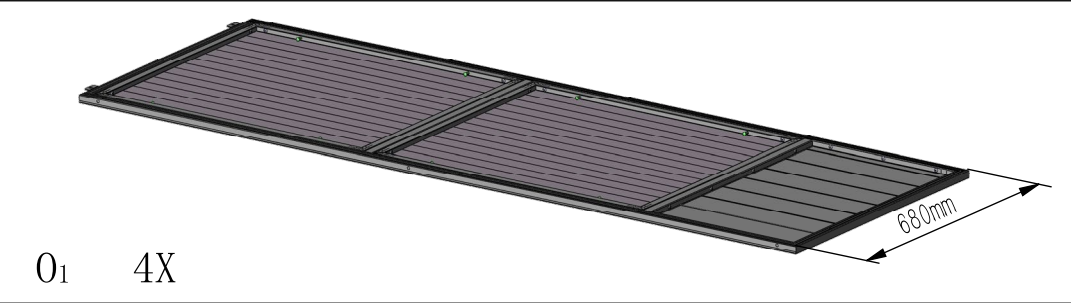
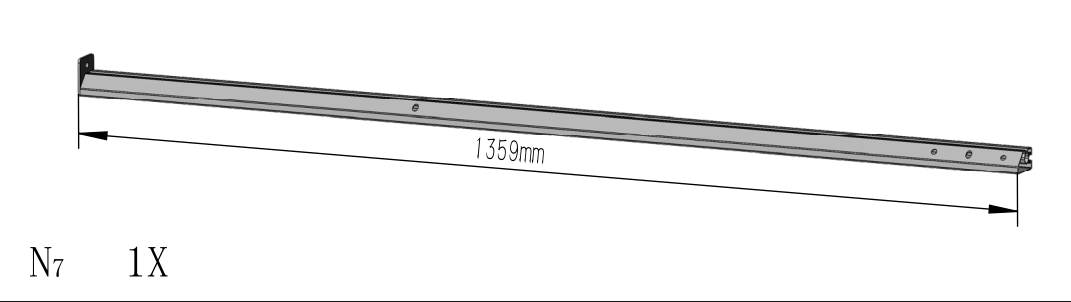
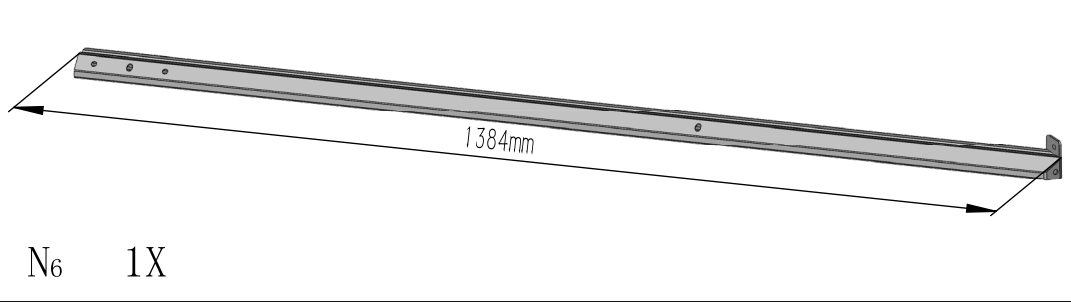
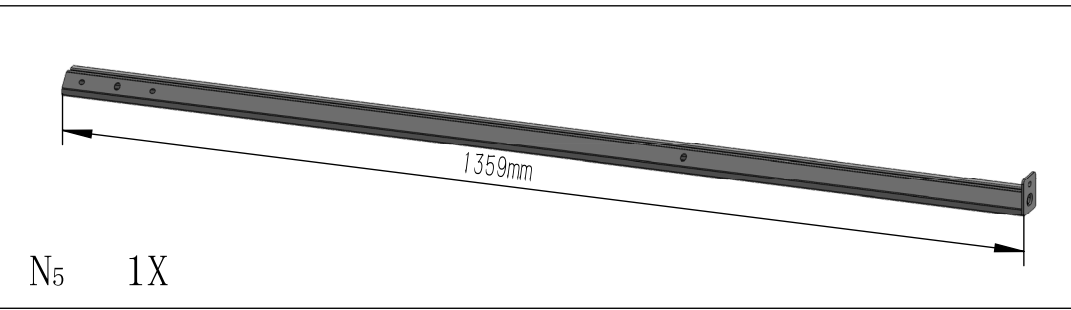
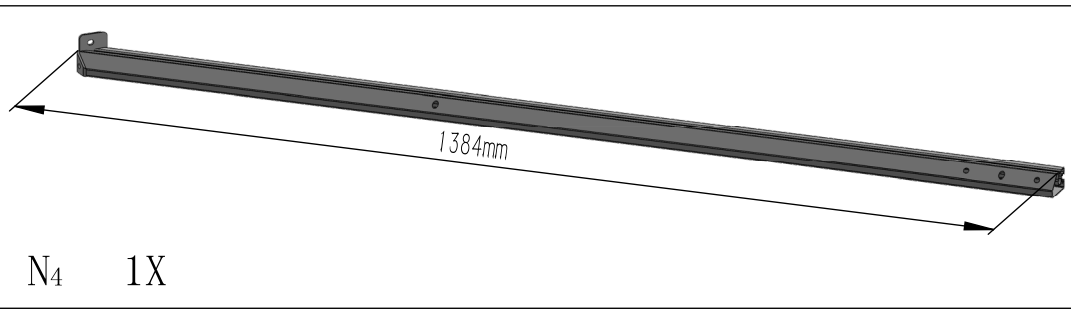
N₁ 1X



N₂ 1X



N₃ 3X

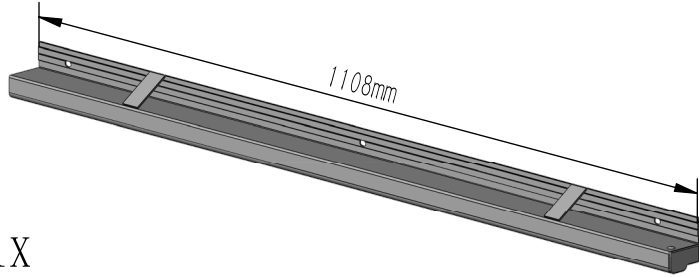




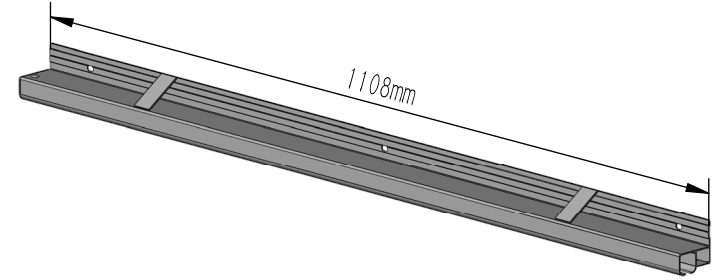
P3 2X



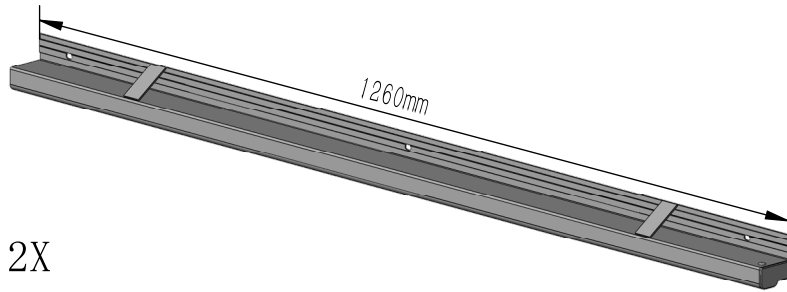
P4 2X



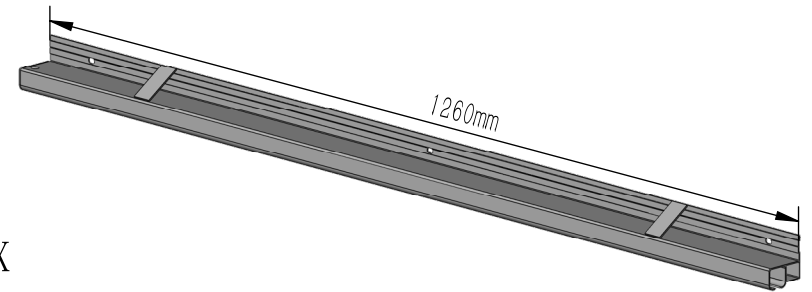
Q1 1X



Q2 1X



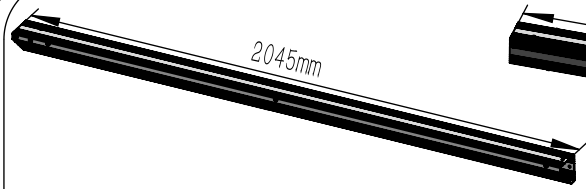
Q3 2X



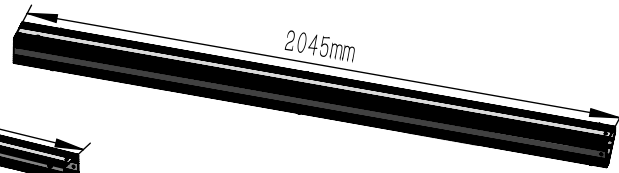
Q4 2X

<p>1# 6</p>  <p>ST4.8*13</p>	<p>2# 4</p>  <p>ST5*16</p>	<p>3# 17</p>  <p>M5*12</p>
<p>4# 204</p>  <p>M6*16</p>	<p>5# 20</p>  <p>M6*28</p>	<p>6# 128</p>  <p>M6*30</p>
<p>7# 2</p>  <p>M6*30</p>	<p>8# 8</p>  <p>M6*40</p>	<p>9# 6</p>  <p>M6*62</p>
<p>10# 14</p>  <p>ST6*70</p>	<p>11# 14</p> 	<p>12# 2</p>  <p>M8*60</p>
<p>13# 2</p>  <p>M8</p>	<p>14# 2</p>  <p>M8</p>	<p>15# 92</p>  <p>M6</p>

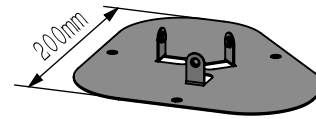
<p>16# 24 M6*30</p> 	<p>17# 24</p> 	<p>18# 24</p> 
<p>19# 24 M4*10</p> 	<p>20# 12 M4</p> 	<p>21# 20 M6</p> 
<p>22# 12 M6*40</p> 	<p>23# 1 S4</p> 	<p>24# 1 S5</p> 
<p>25# 1 S13</p> 	<p>26# 92 D12/d6. 2*H2</p> 	<p>27# 6</p> 
<p>28# 2</p> 		



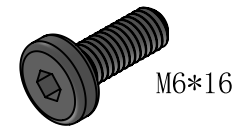
A1 1X



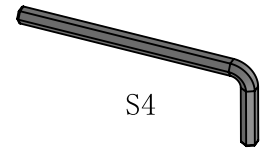
A2 1X



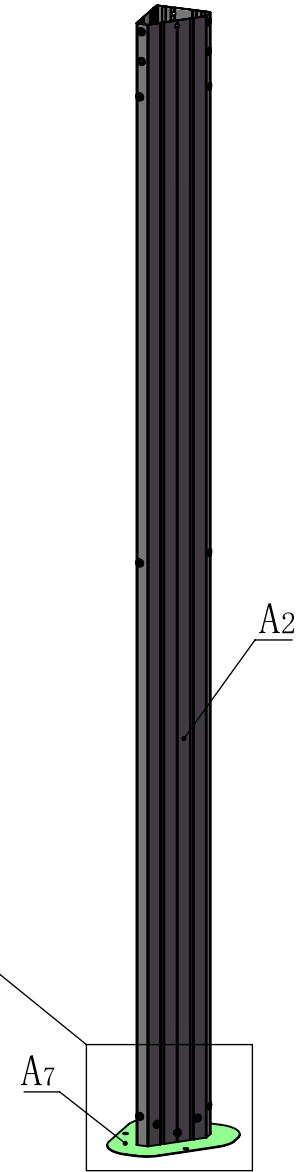
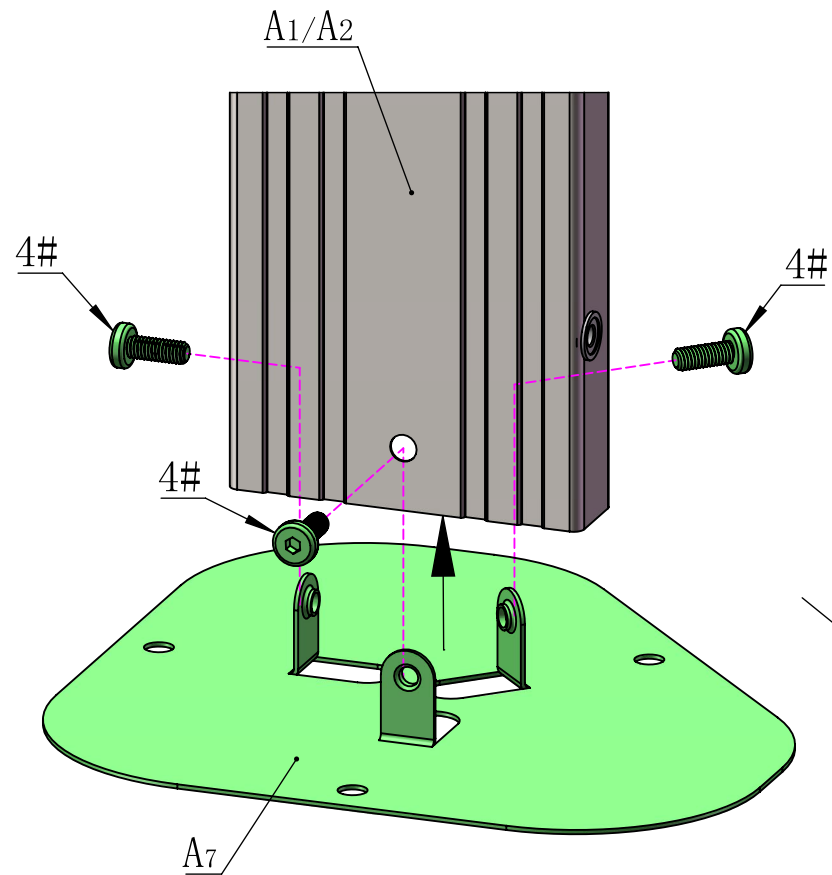
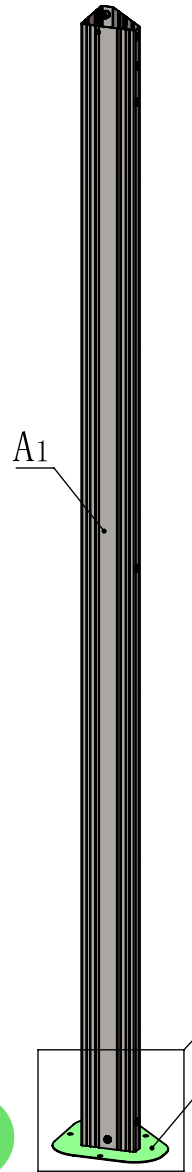
A7 2X



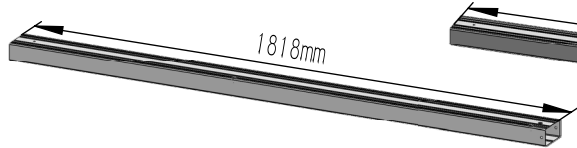
4# 6X



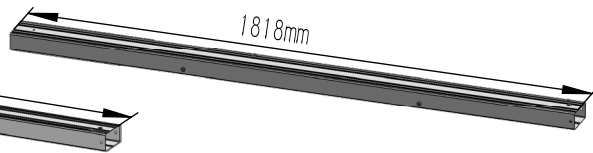
23# 1X



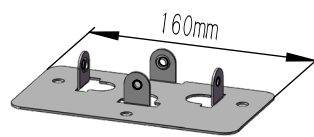
1



A3 1X



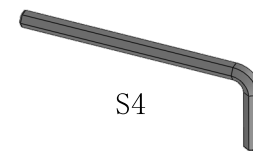
A4 1X



A8 2X

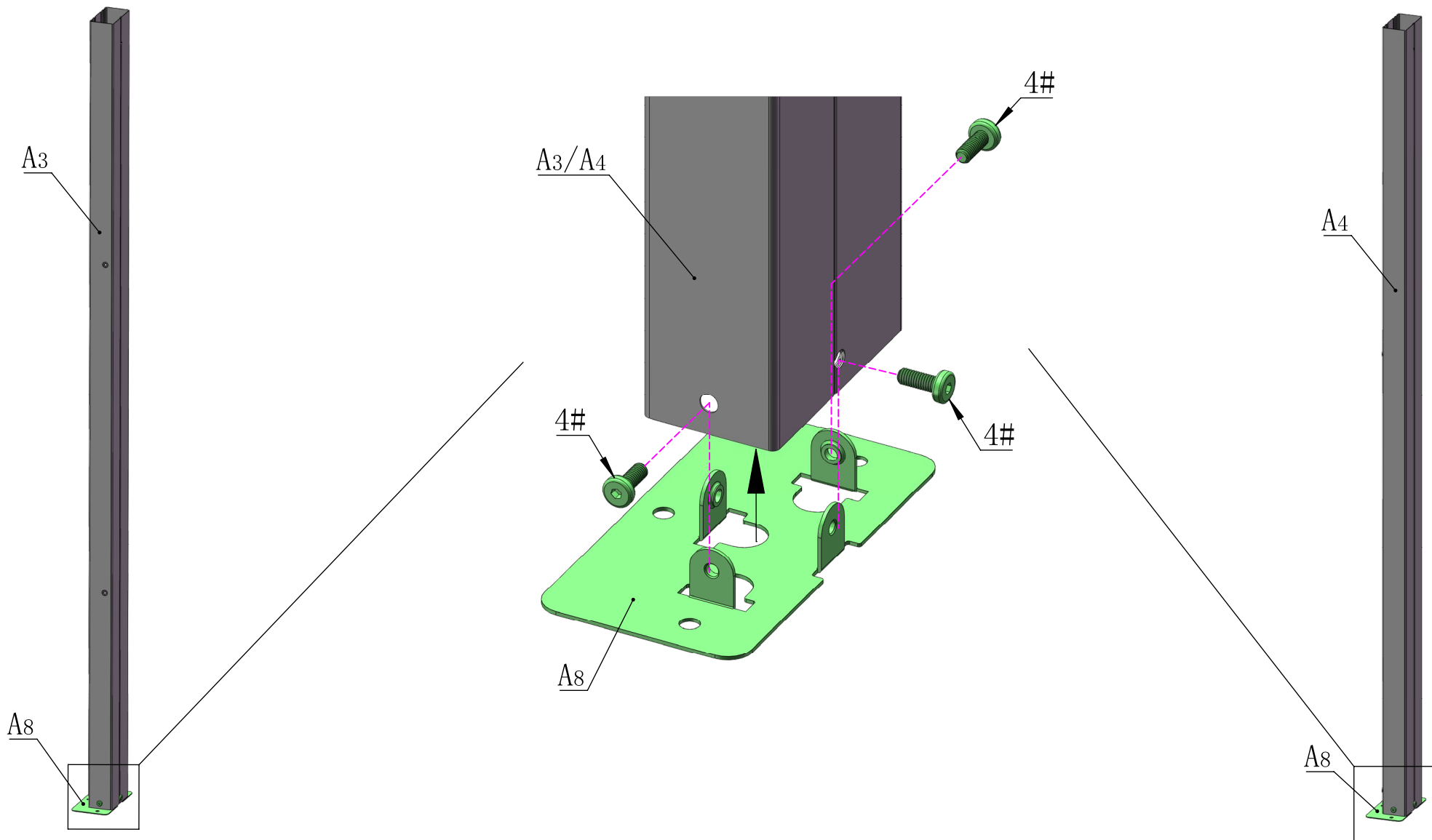


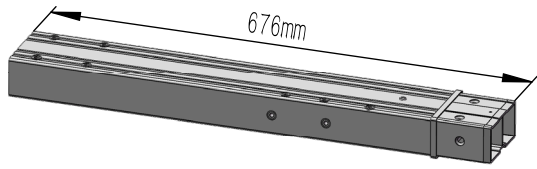
M6*16



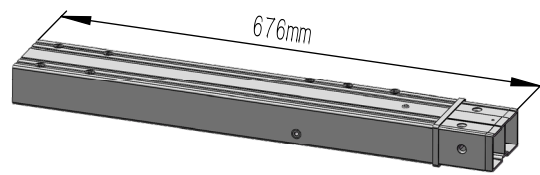
S4

23# 1X





A5 1X

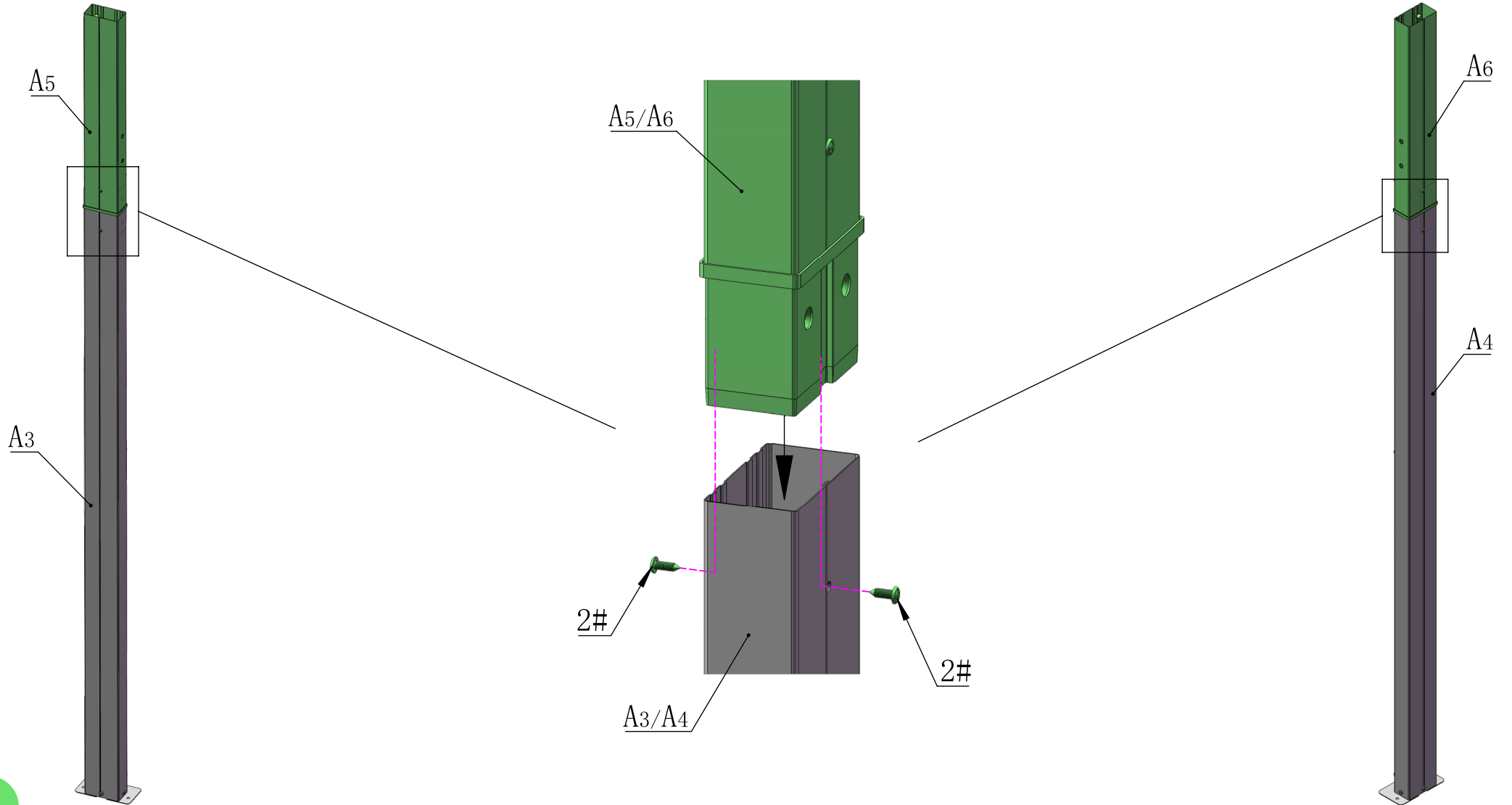


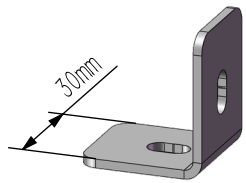
A6 1X



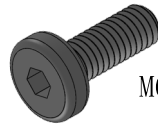
ST5*16

2# 4X



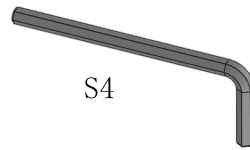


A10 6X



M6*16

4# 6X

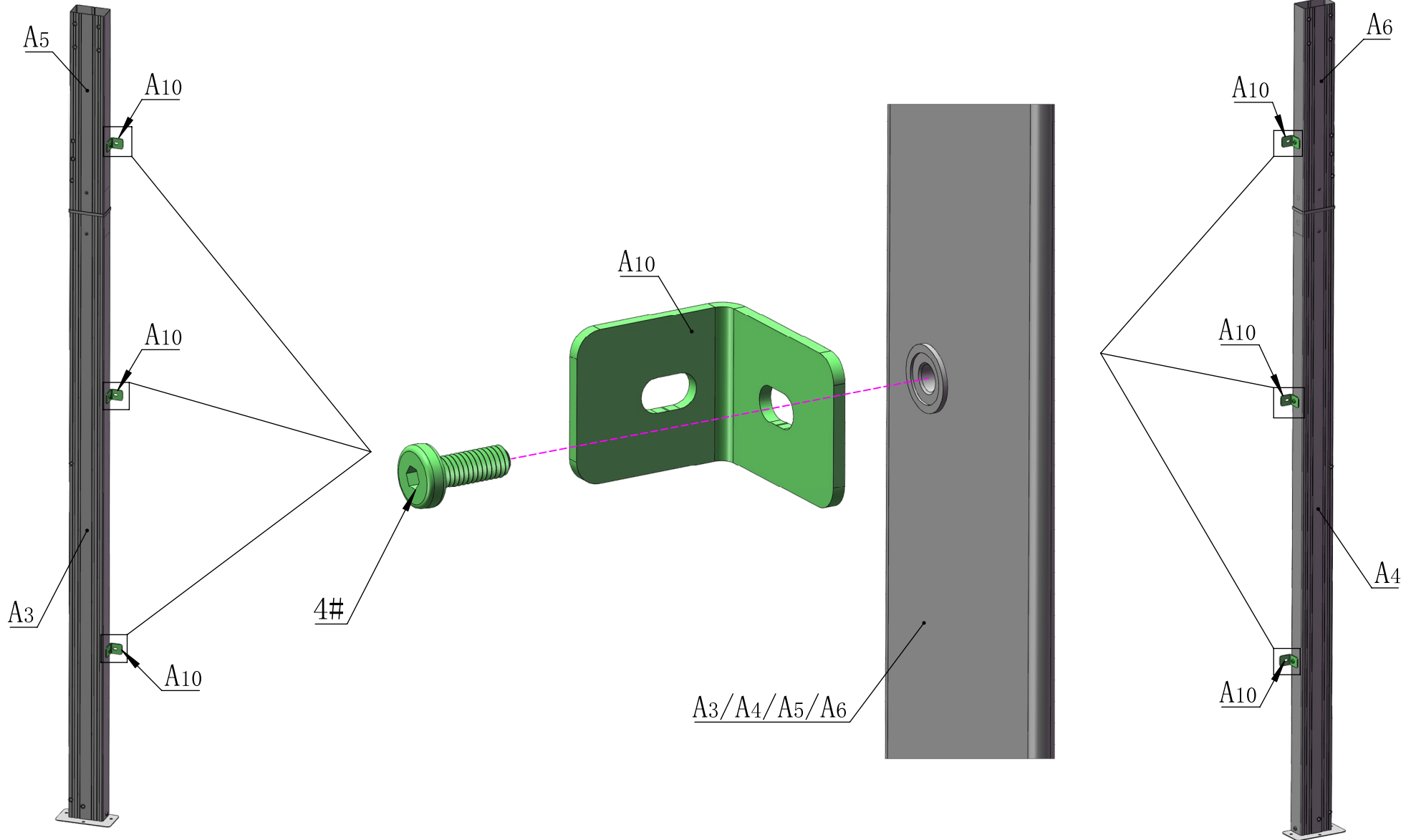


S4

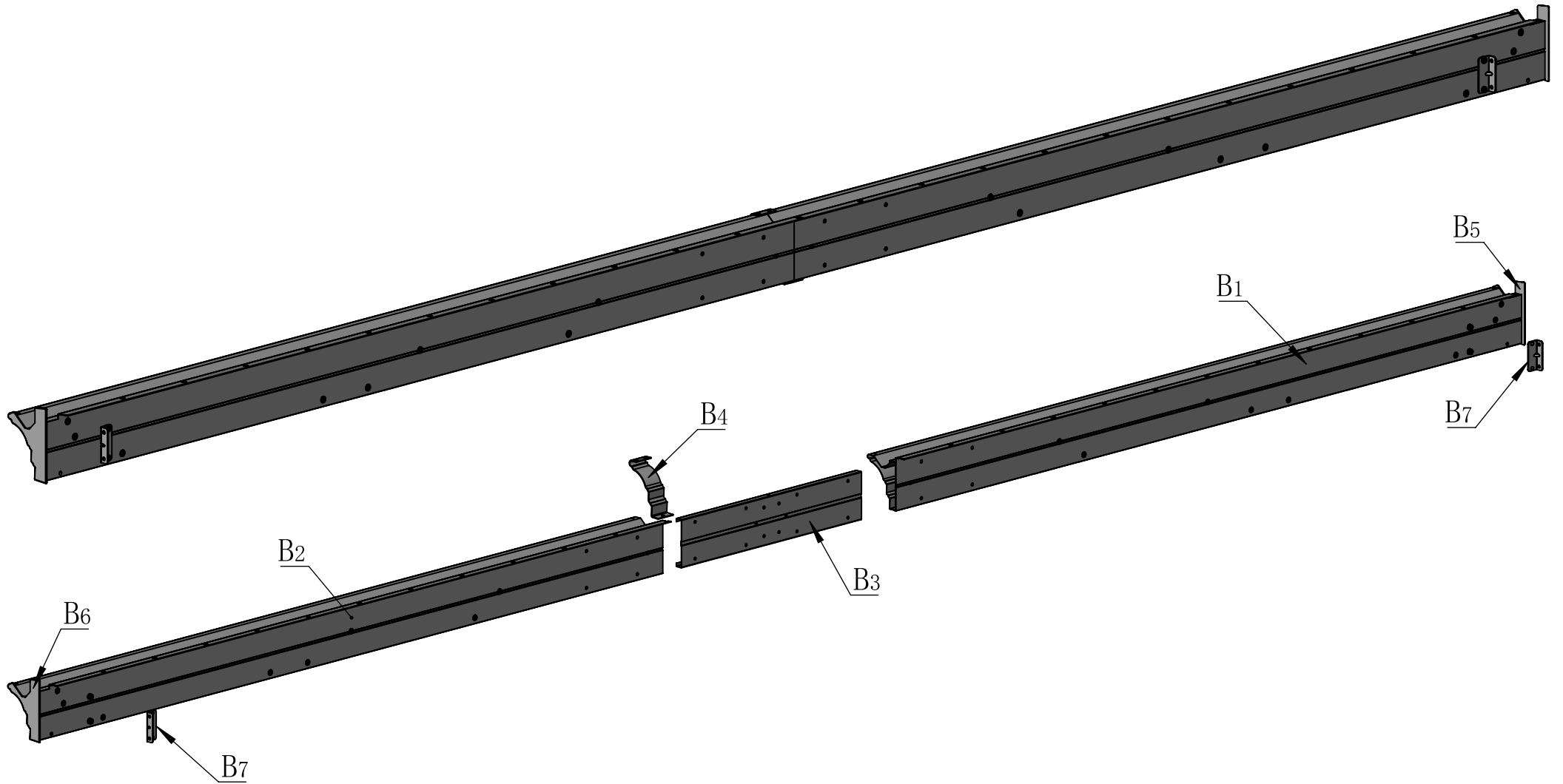
23# 1X

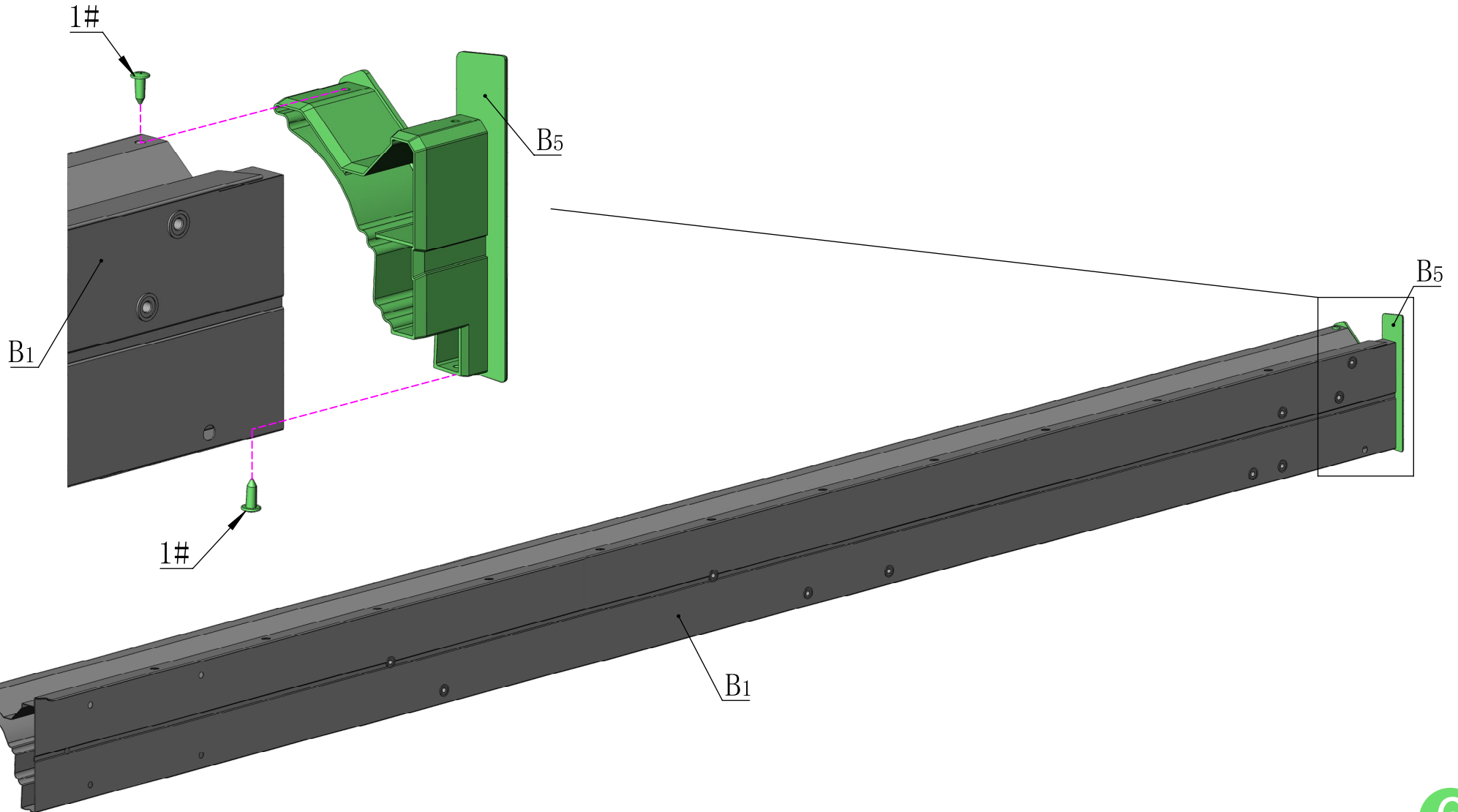
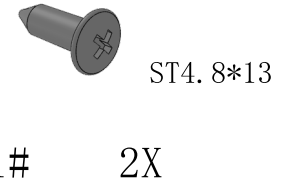
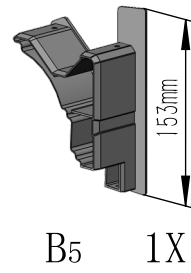
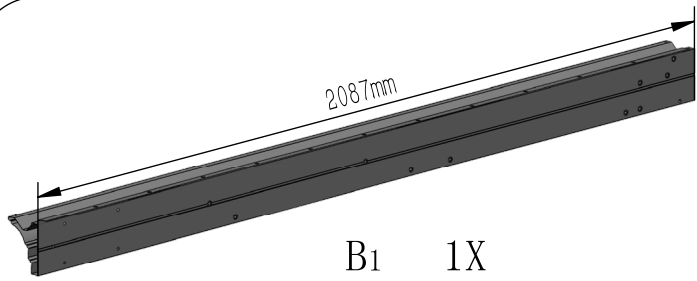
⚠ (1) If you don't consider fixing it to the wall, you can skip this step. (This step requires the user to drill holes in the wall for fixation.)

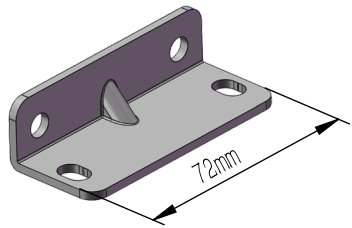
(2) The bracket #A10 is used to fix the post against the wall. You can assemble only 2 pieces for each post according to the actual installation situation.



Front Beam Assembly







B7

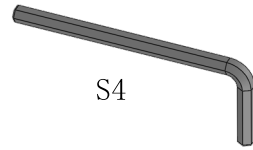
1X



M6*16

4#

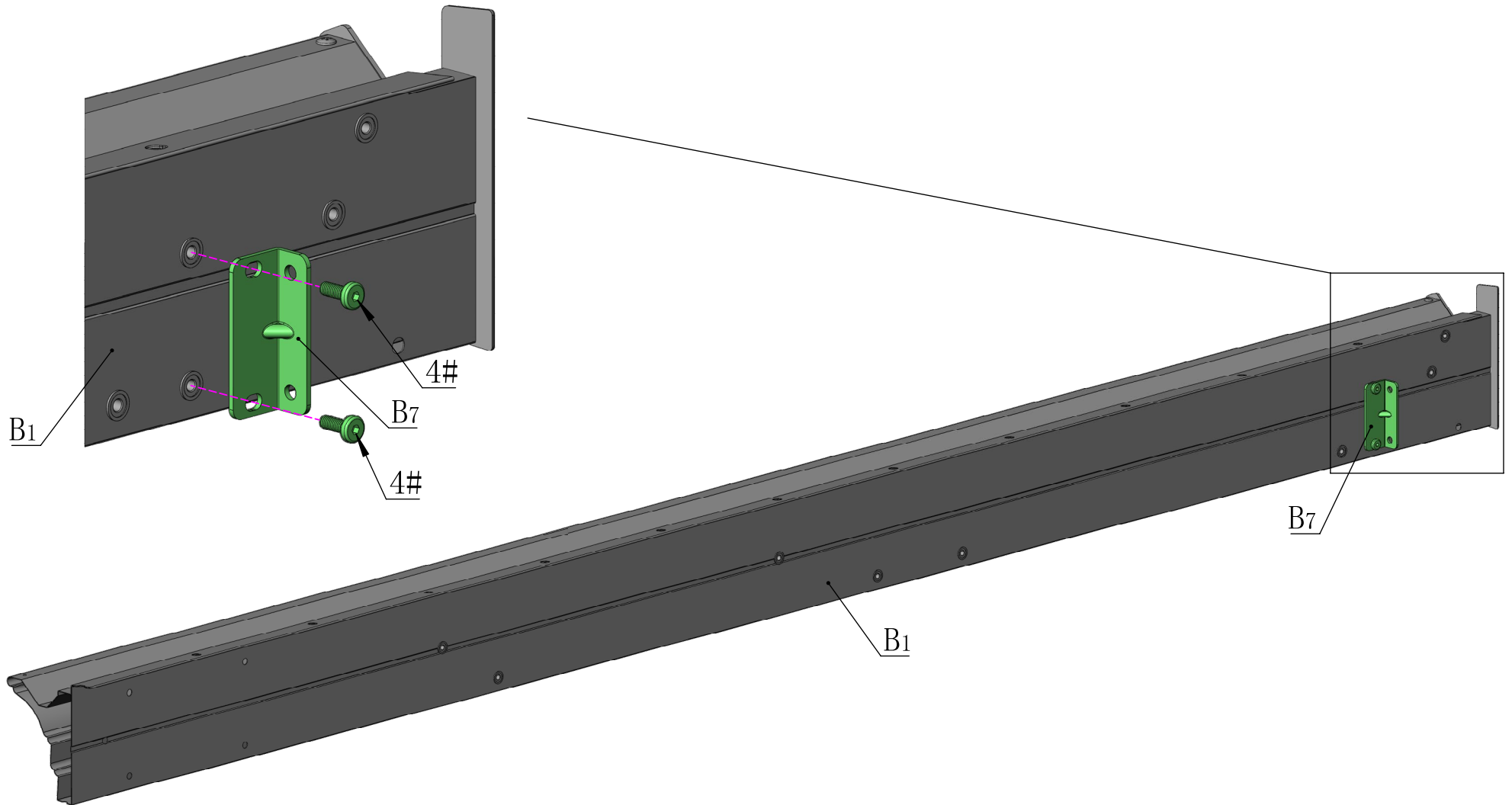
2X

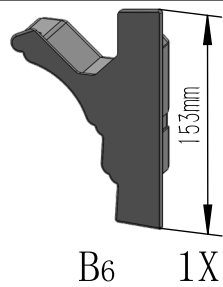
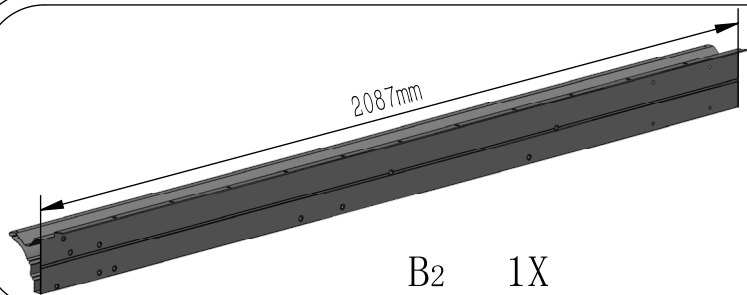


S4

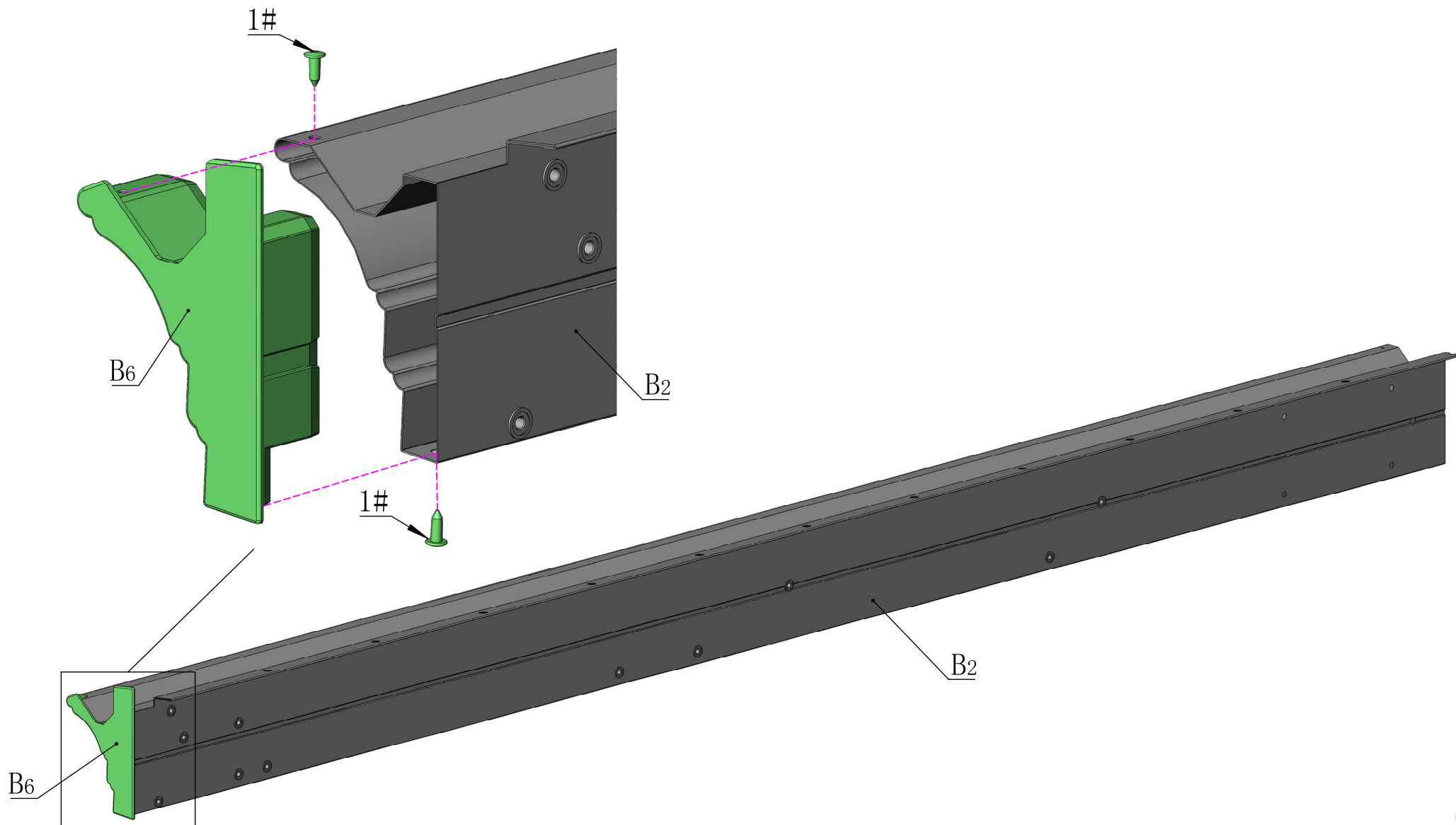
23#

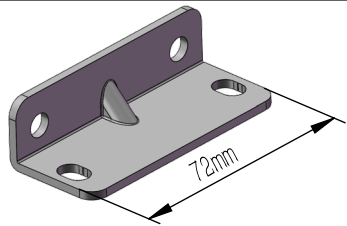
1X





1# 2X



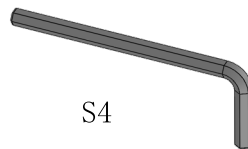


B7 1X



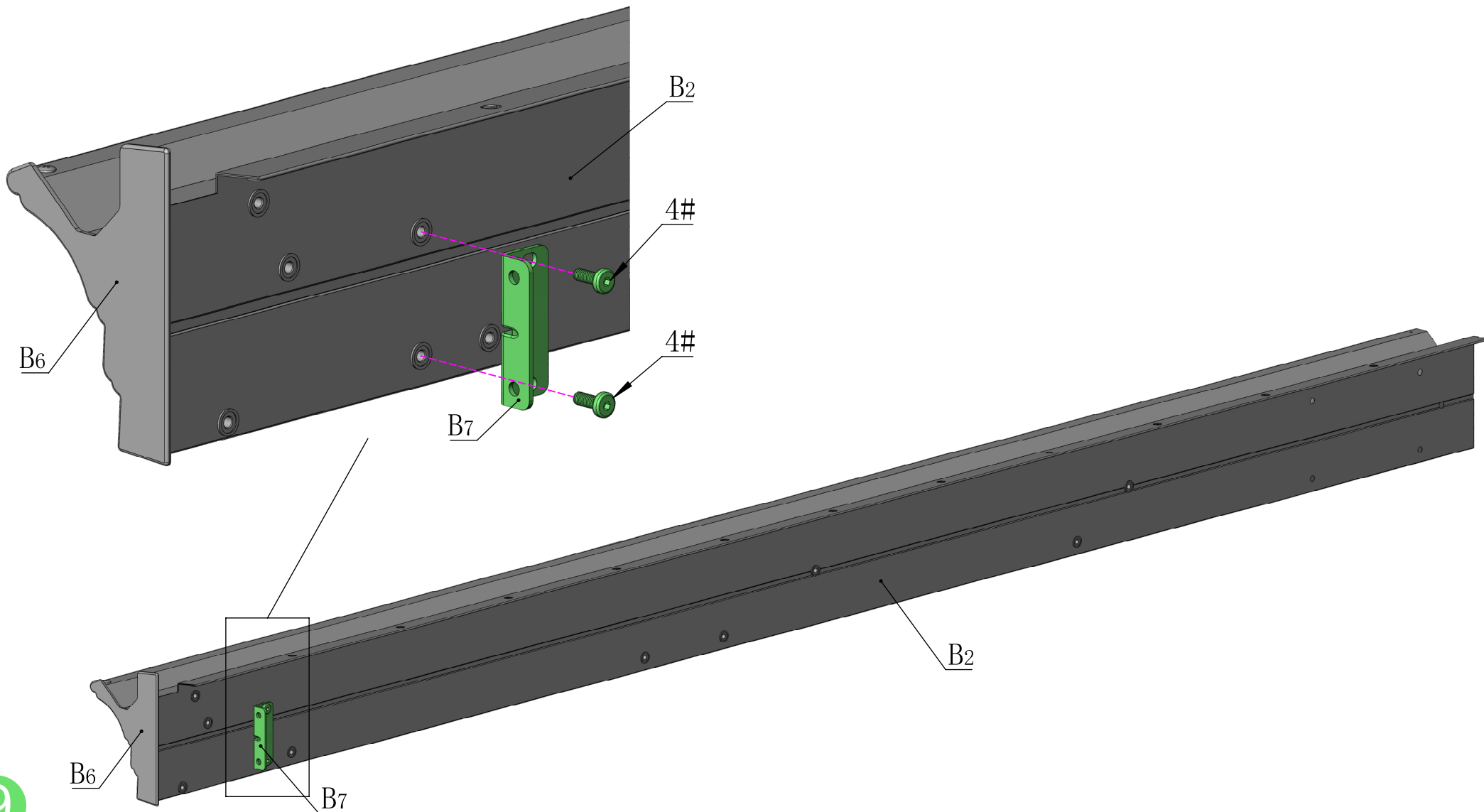
M6*16

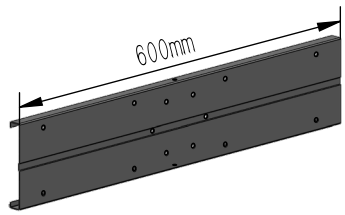
4# 2X



S4

23# 1X



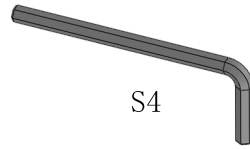


B3 1X



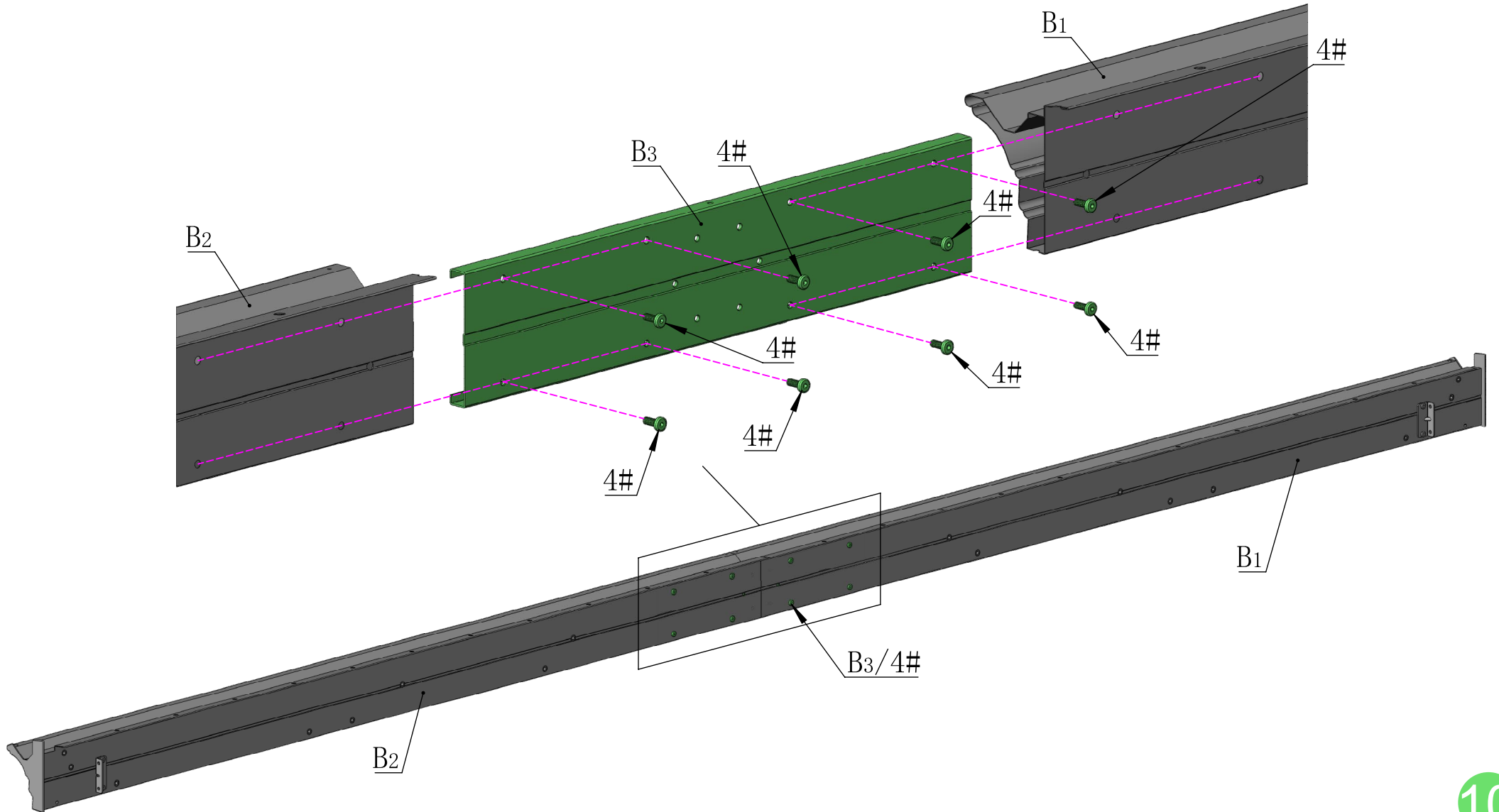
M6*16

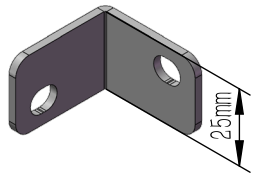
4# 8X



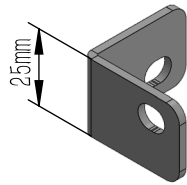
S4

23# 1X





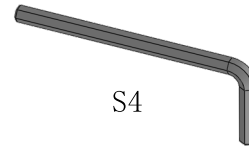
B8 1X



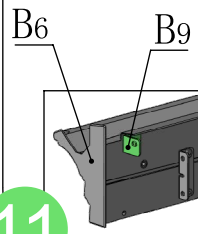
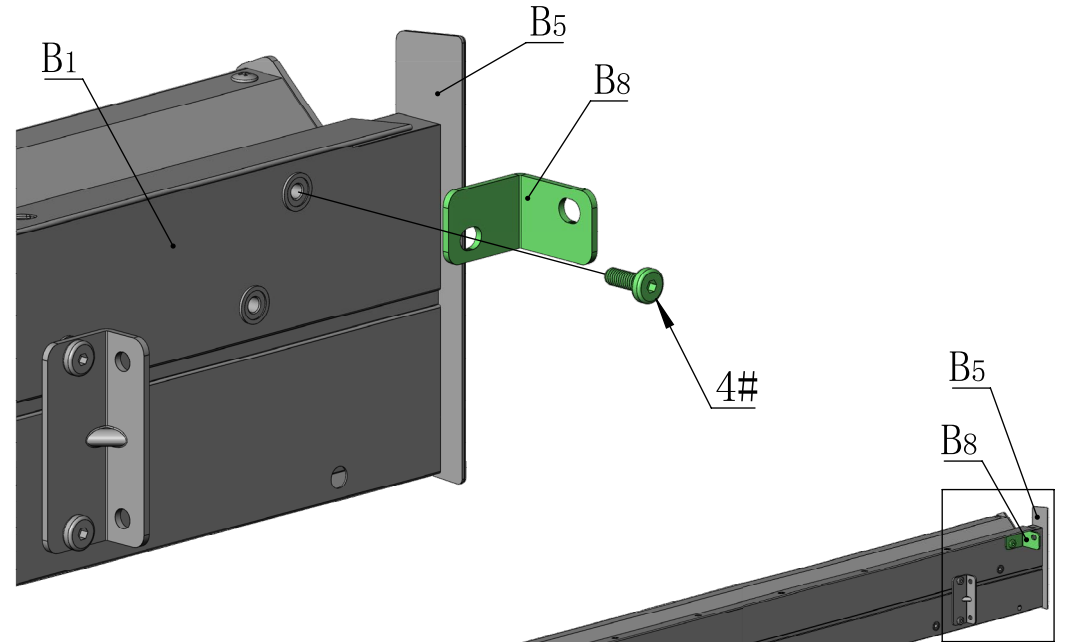
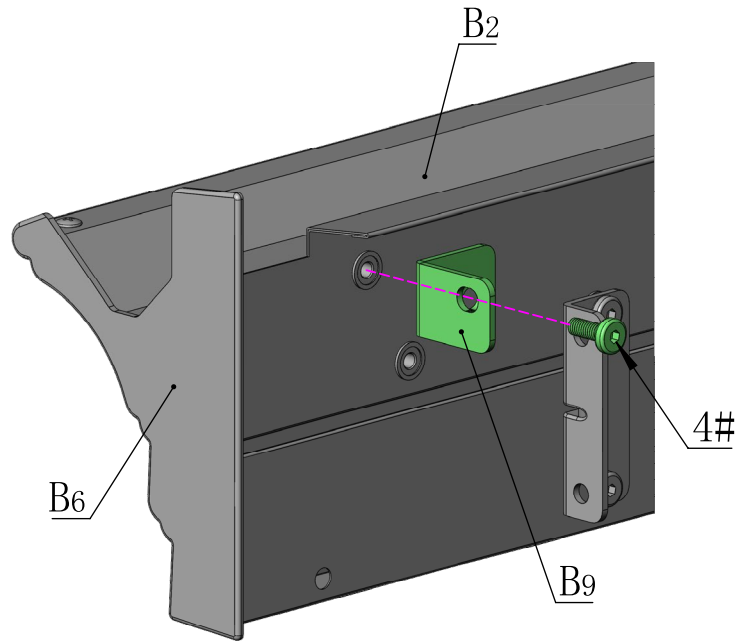
B9 1X



M6*16
4# 2X



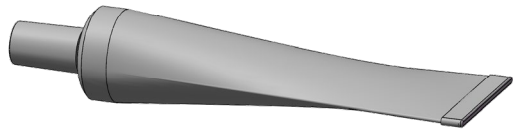
S4
23# 1X



11

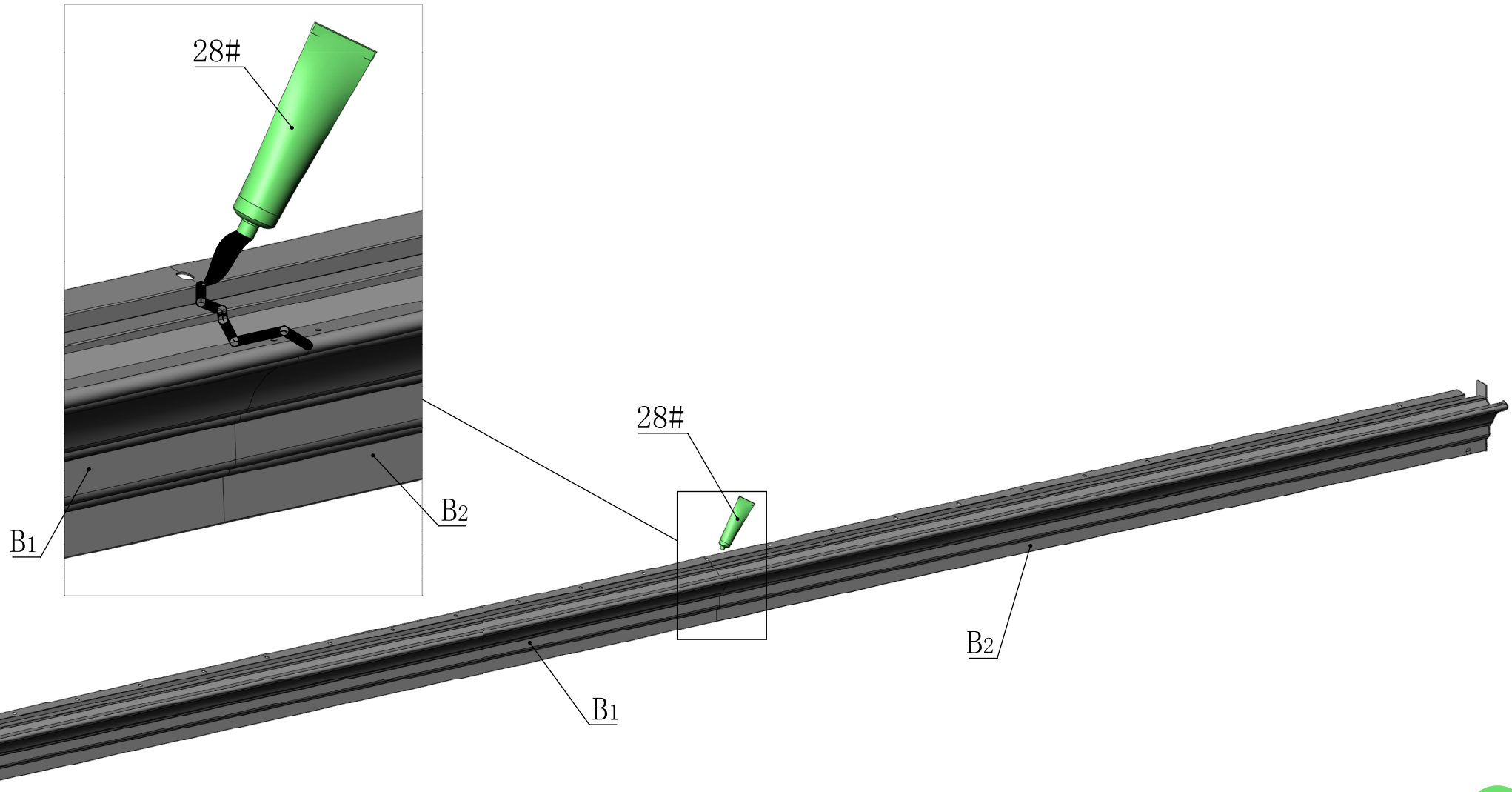


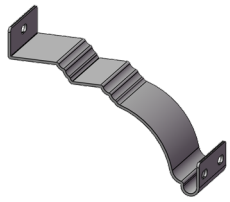
Please don't fully tighten the bolts #4 in this step. It will be tightened together when assembling with the Side Roof Support Tube #F1/F4 (See Page 36).



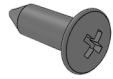
Use silicone sealant (part #28) to affix the gap between the two beams.

28# 1X





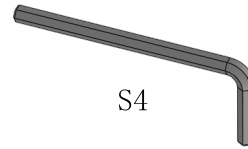
B4 1X



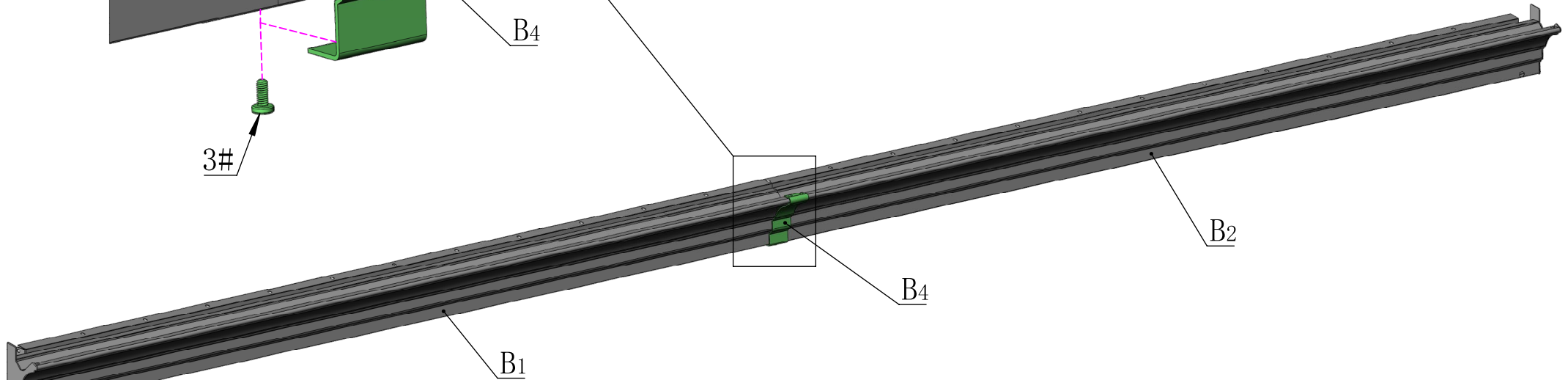
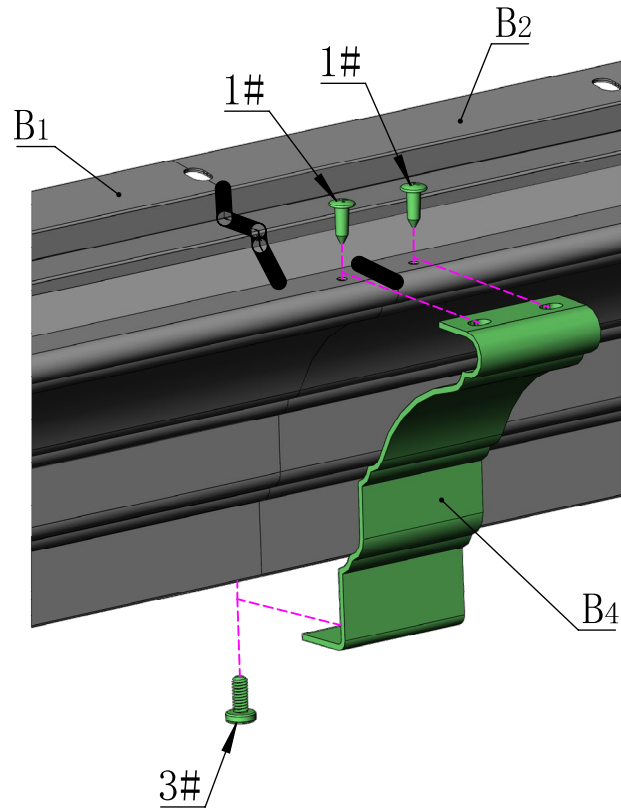
1# 2X
ST4.8*13



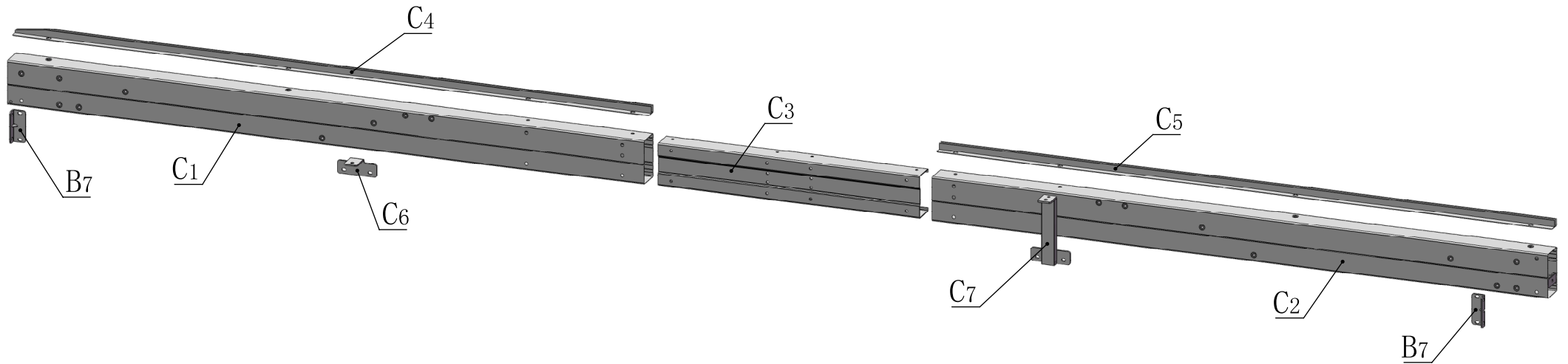
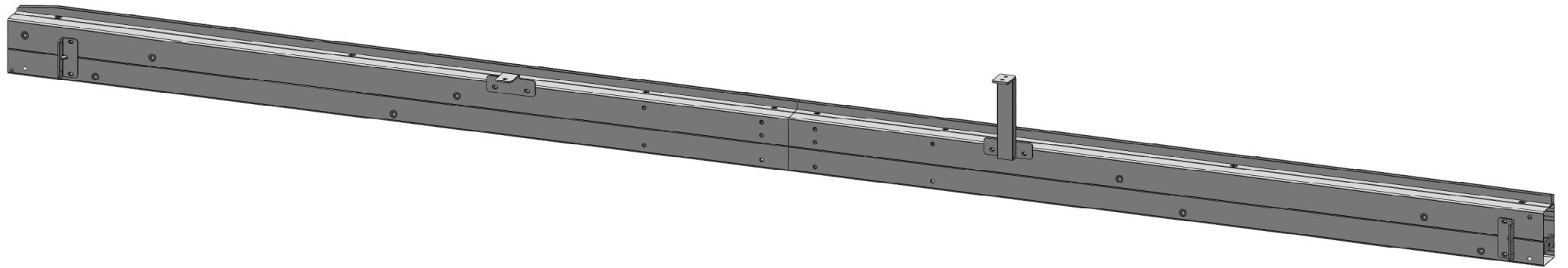
3# 1X
M5*12

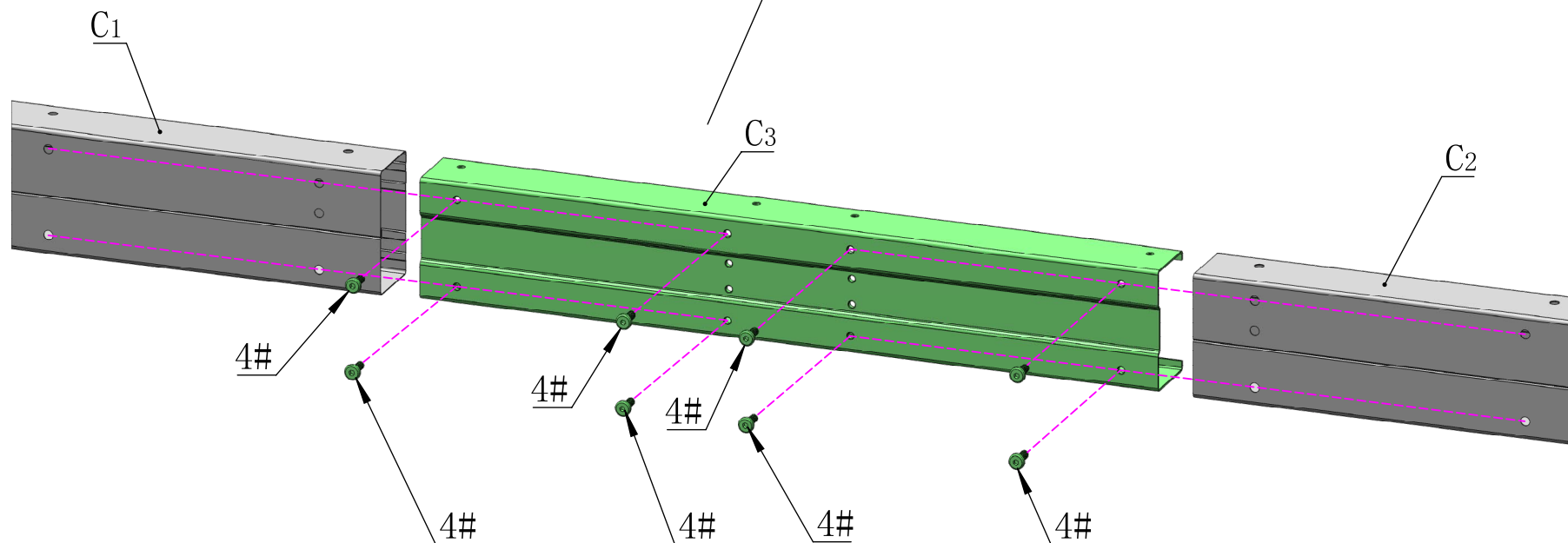
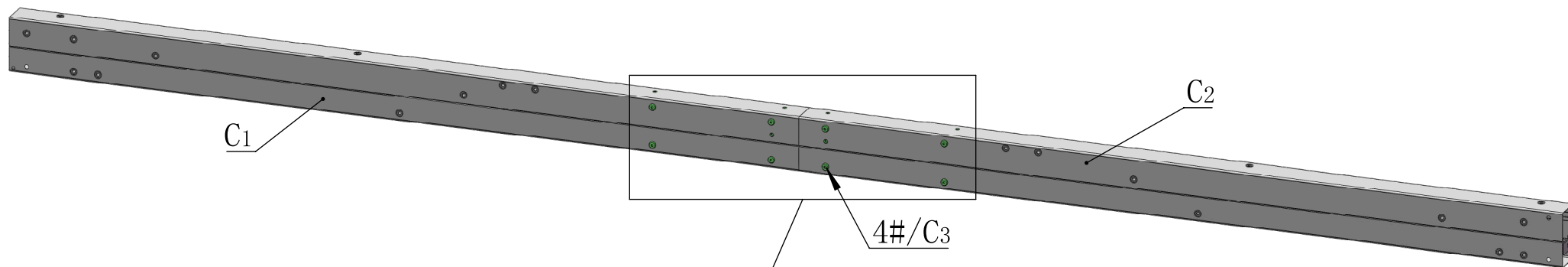
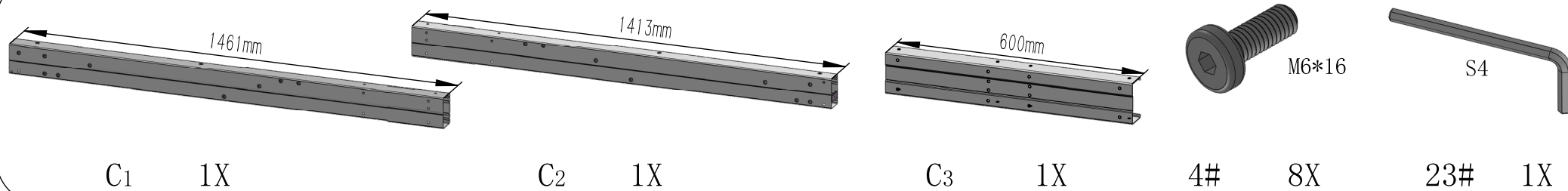


23# 1X
S4



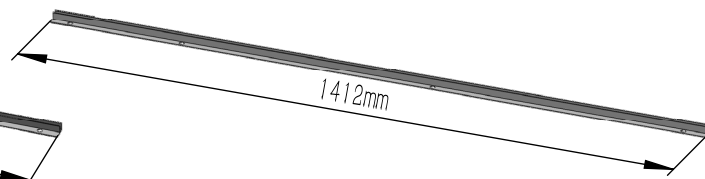
Side Beam Assembly



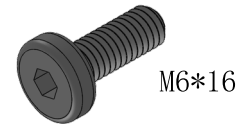




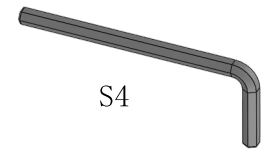
C4 1X



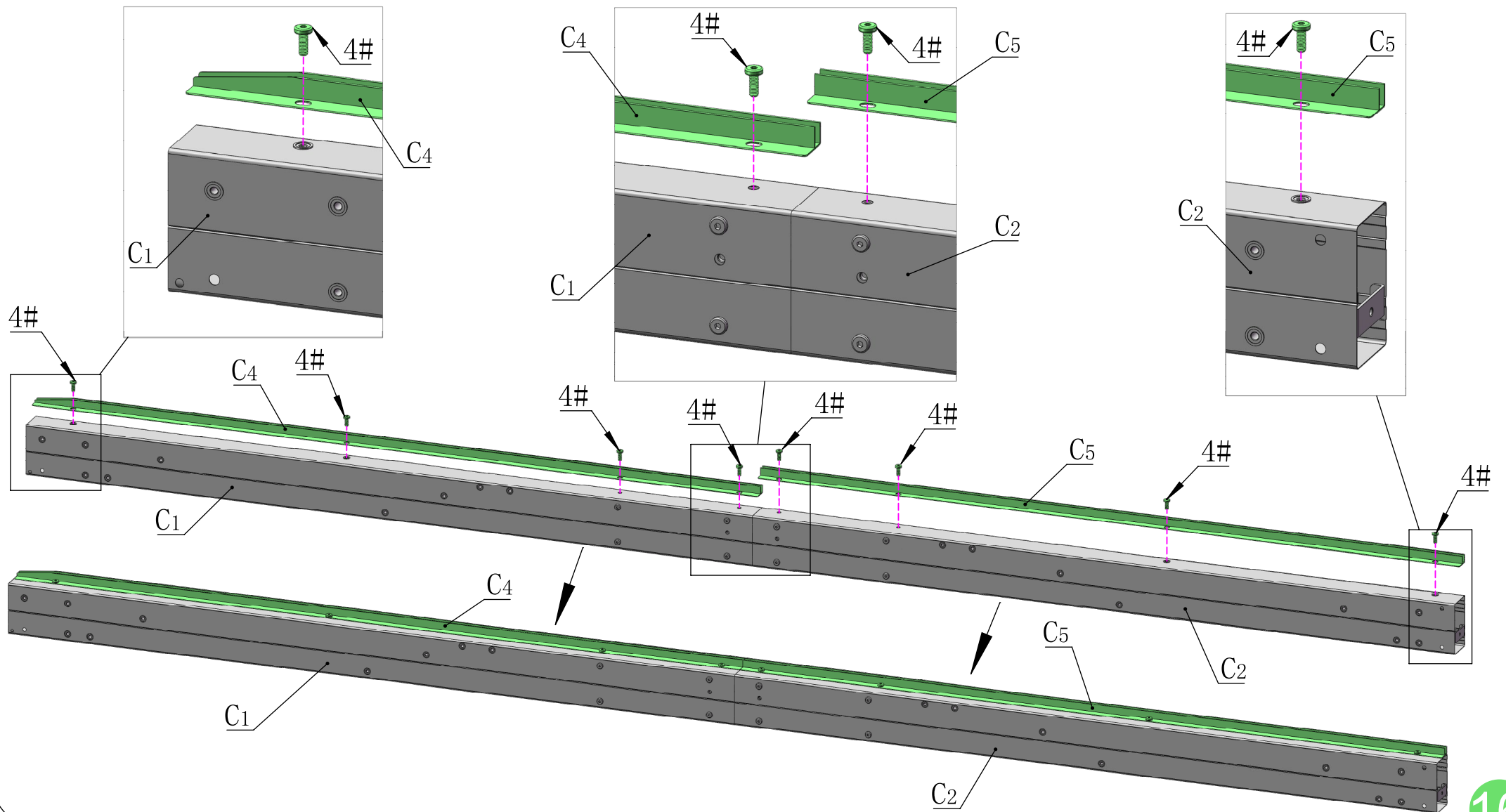
C5 1X

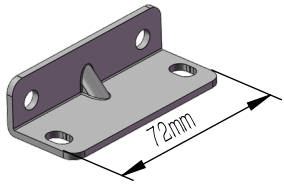


M6*16
4# 8X



S4
23# 1X



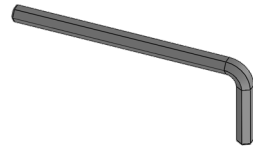


B7 2X

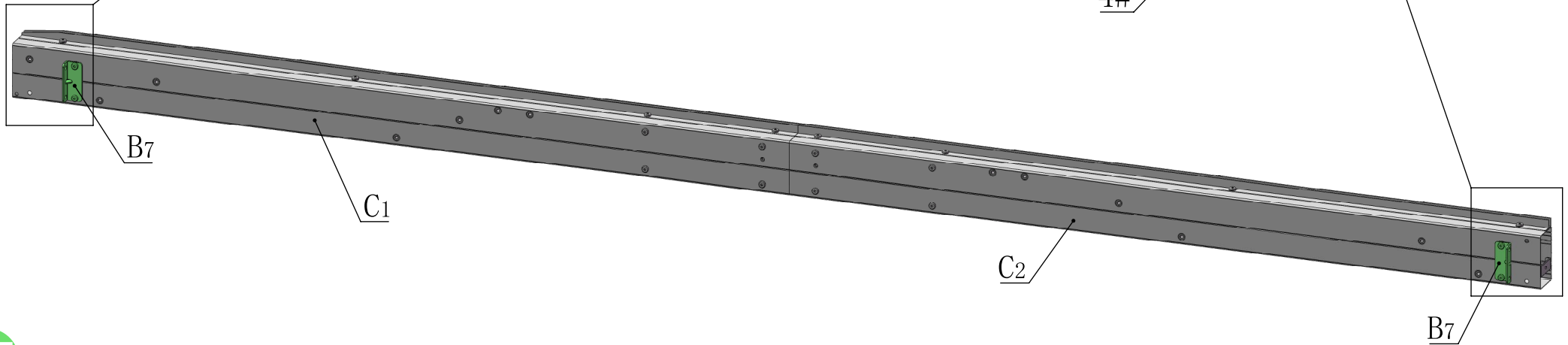
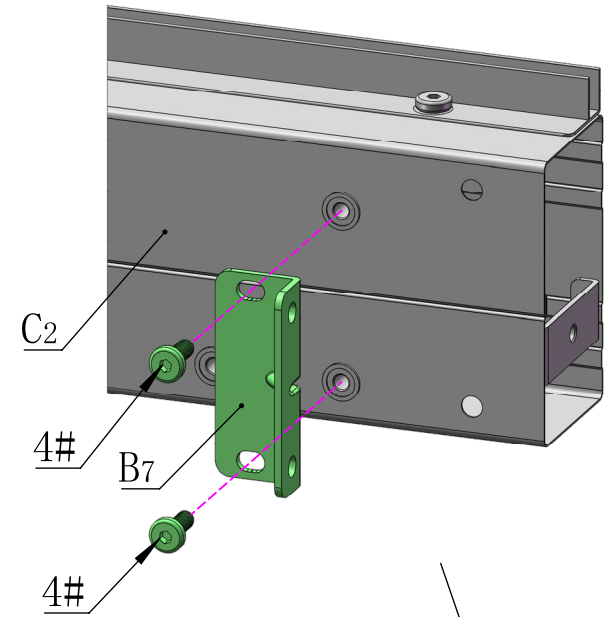
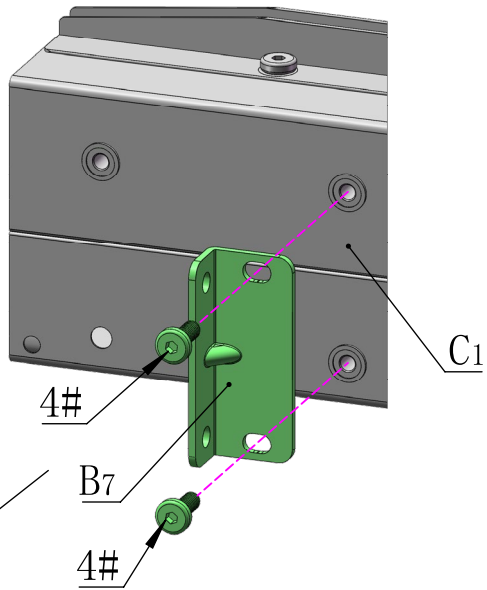


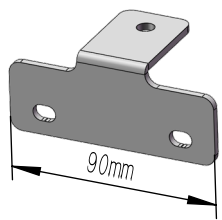
M6*16

4# 4X

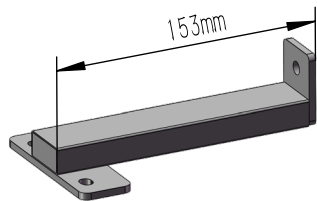


23# 1X





C6 1X



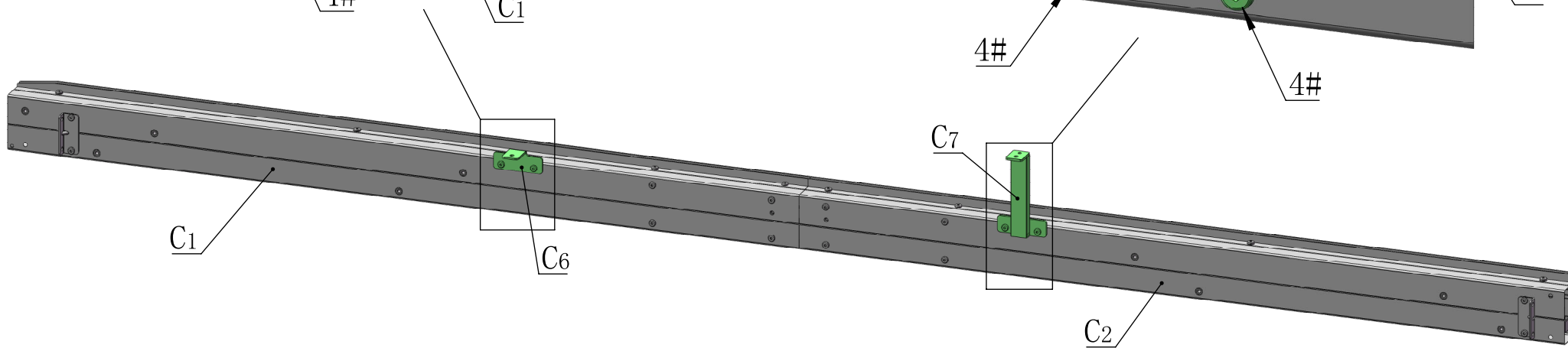
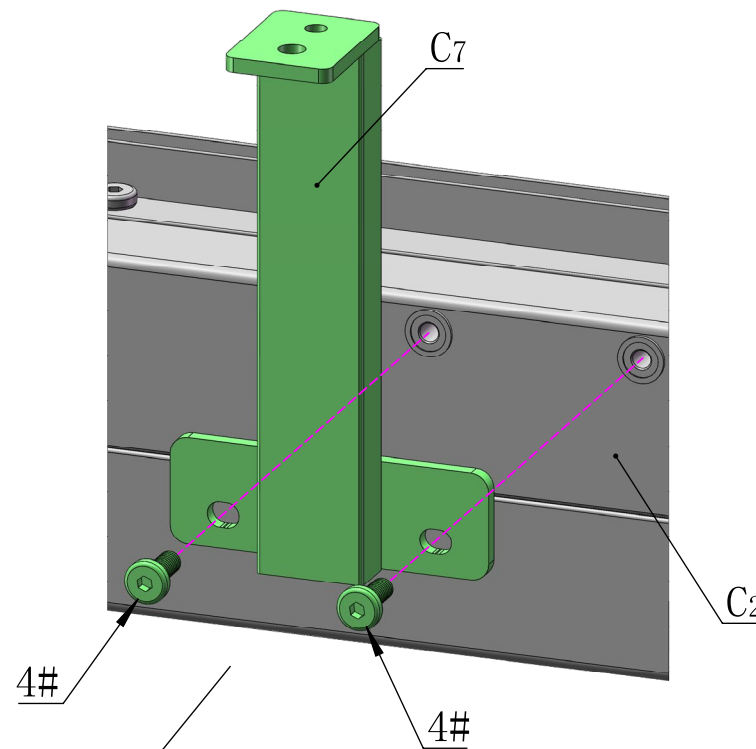
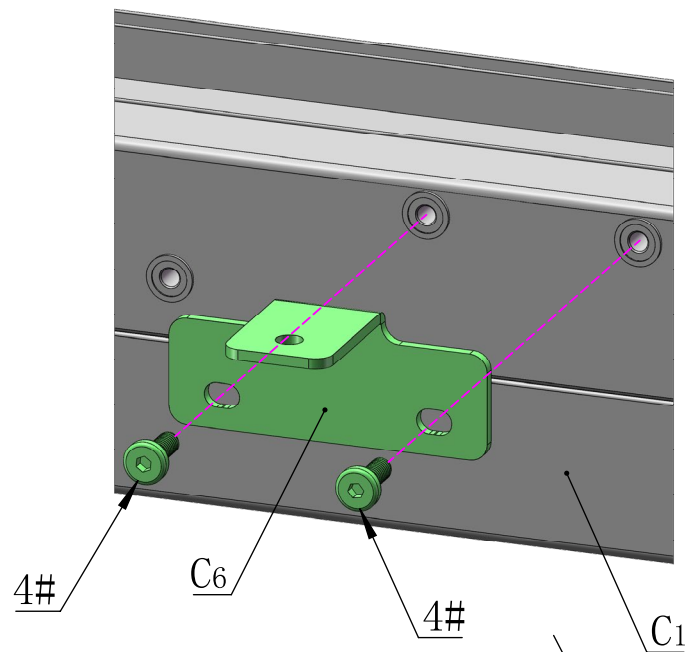
C7 1X



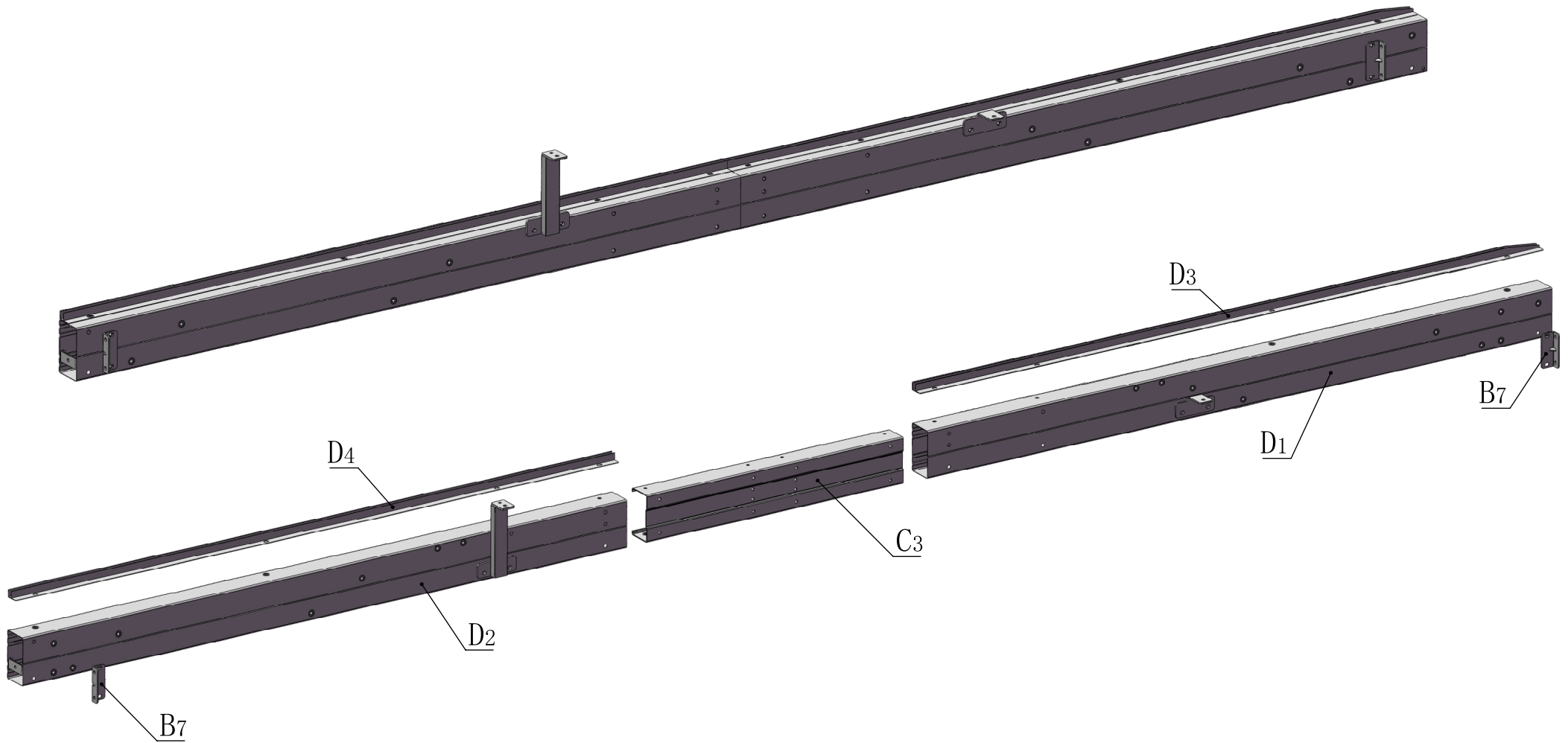
M6*16
4# 4X

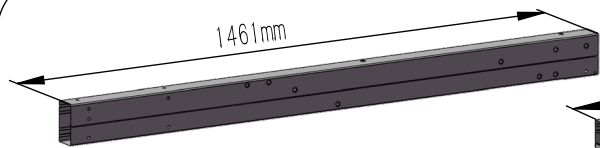


S4
23# 1X

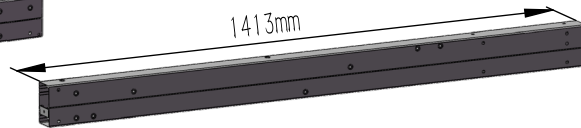


Side Beam Assembly

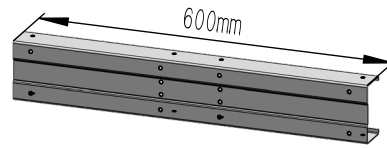




D1 1X



D2 1X

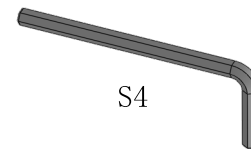


C3 1X



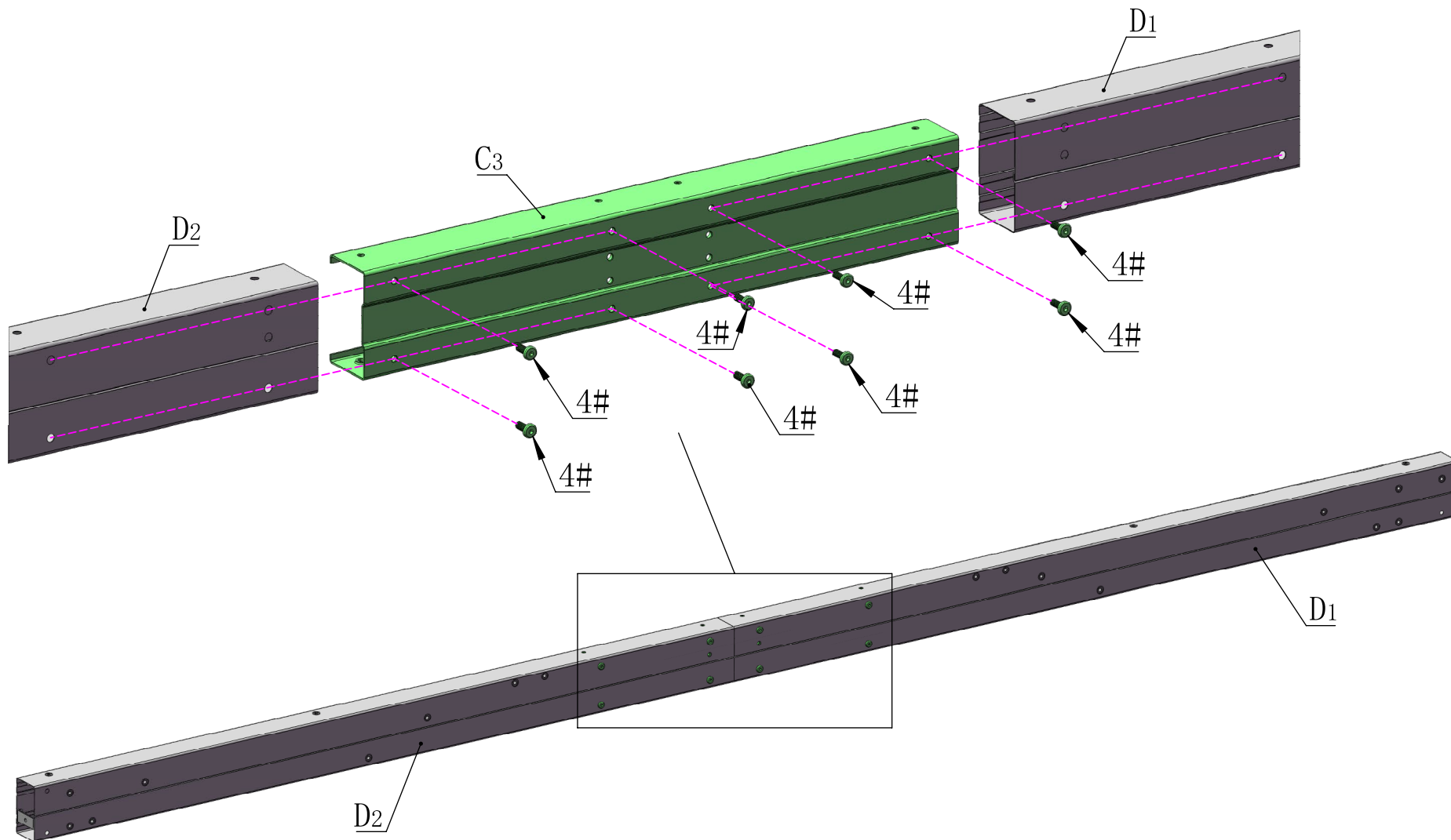
M6*16

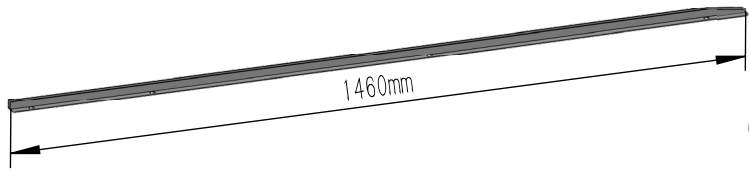
4# 8X



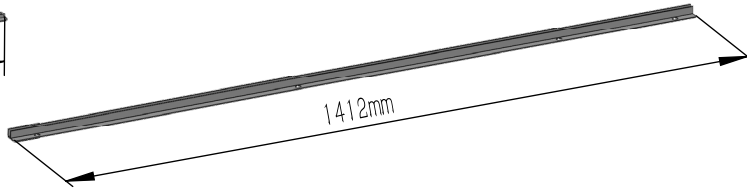
S4

23# 1X





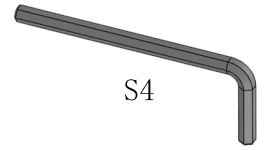
D3 1X



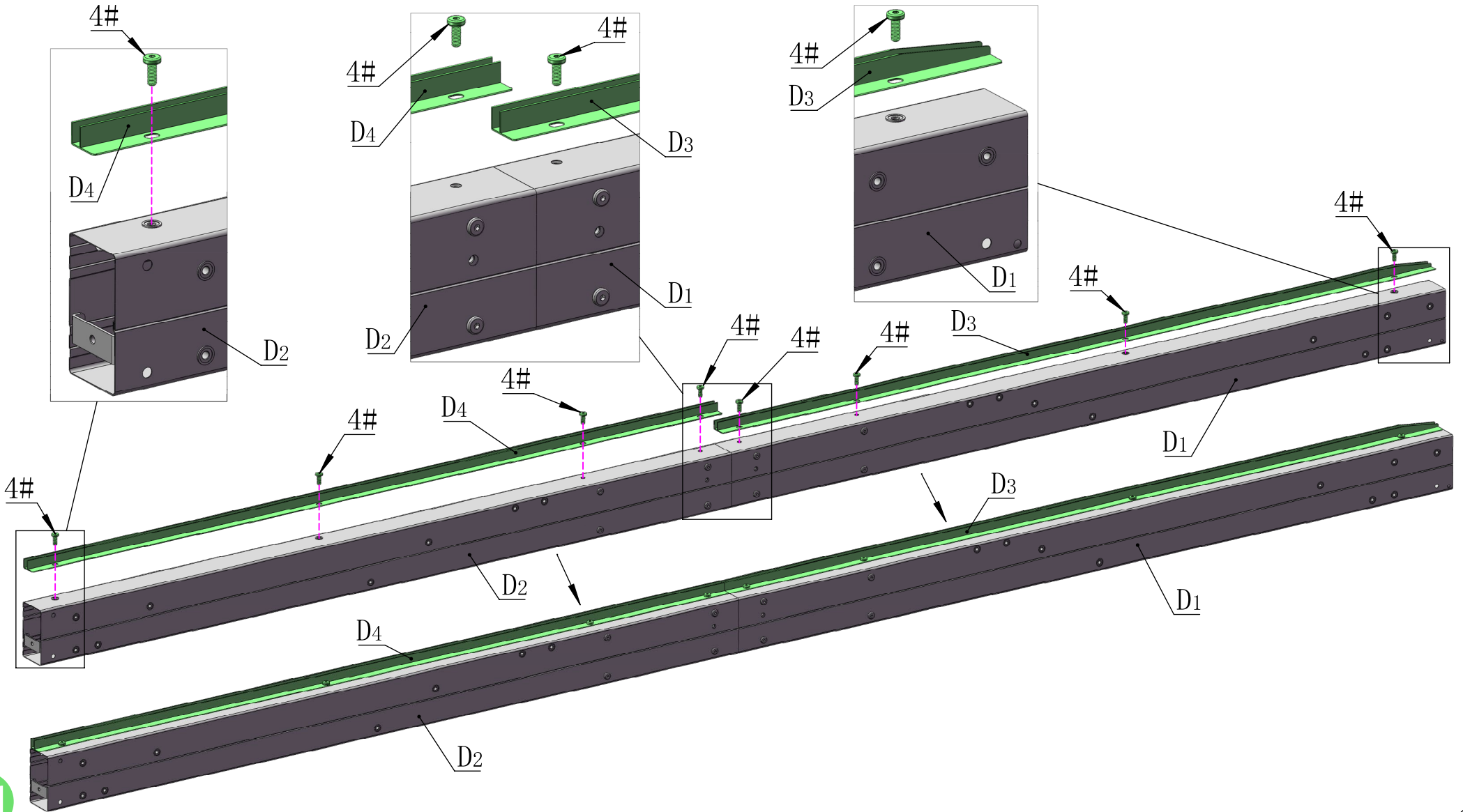
D4 1X

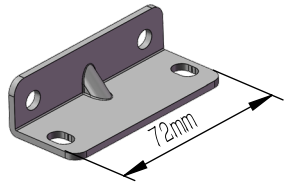


4# 8X

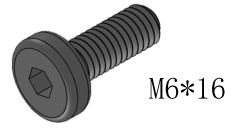


23# 1X

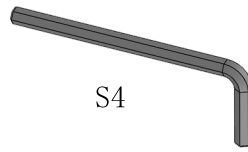




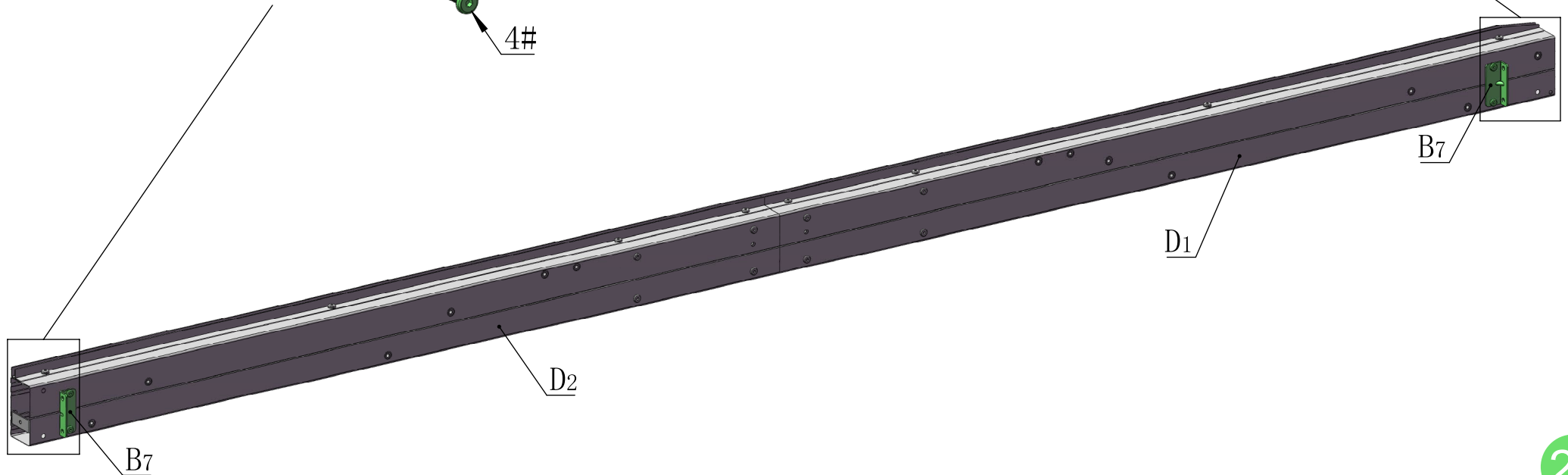
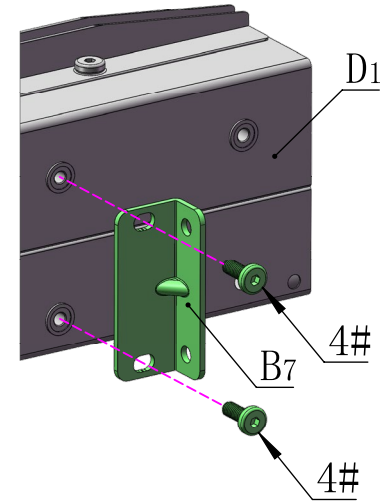
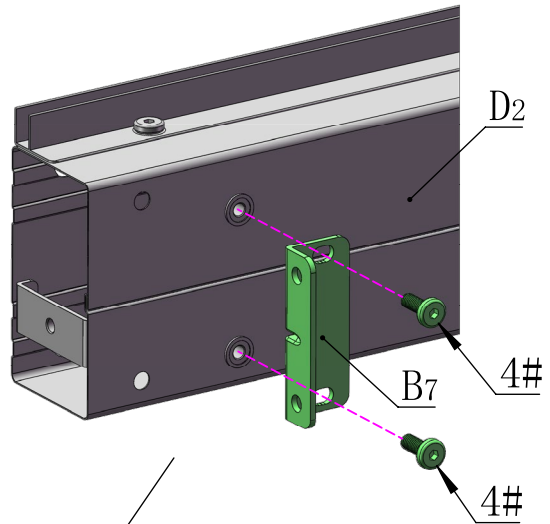
B7 2X

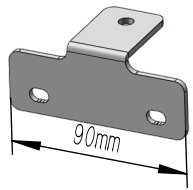


4# 4X

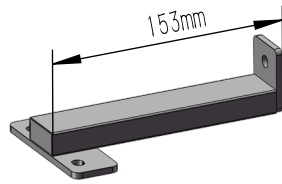


23# 1X

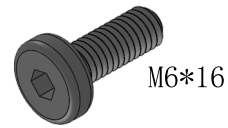




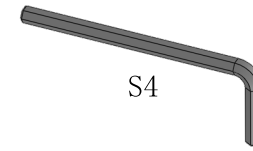
C6 1X



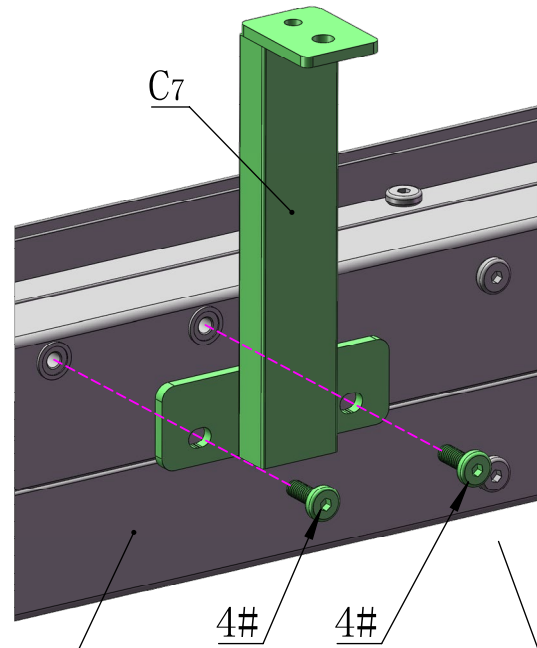
C7 1X



4# 4X



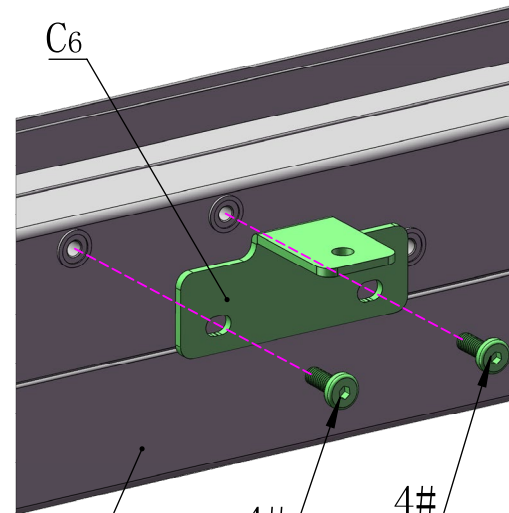
23# 1X



D2

4#

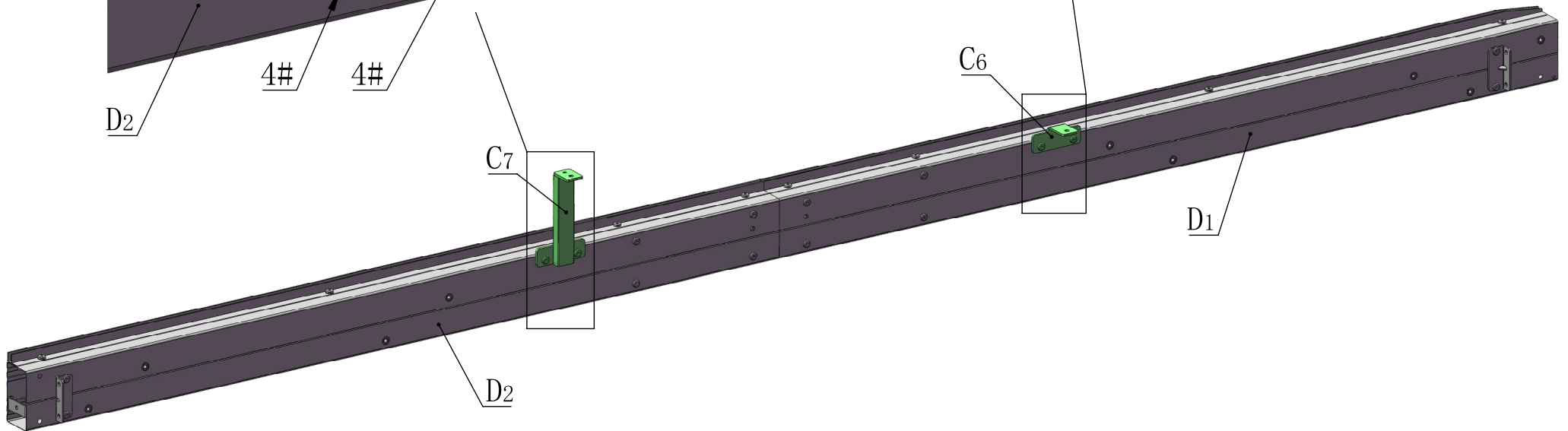
4#



D1

4#

4#



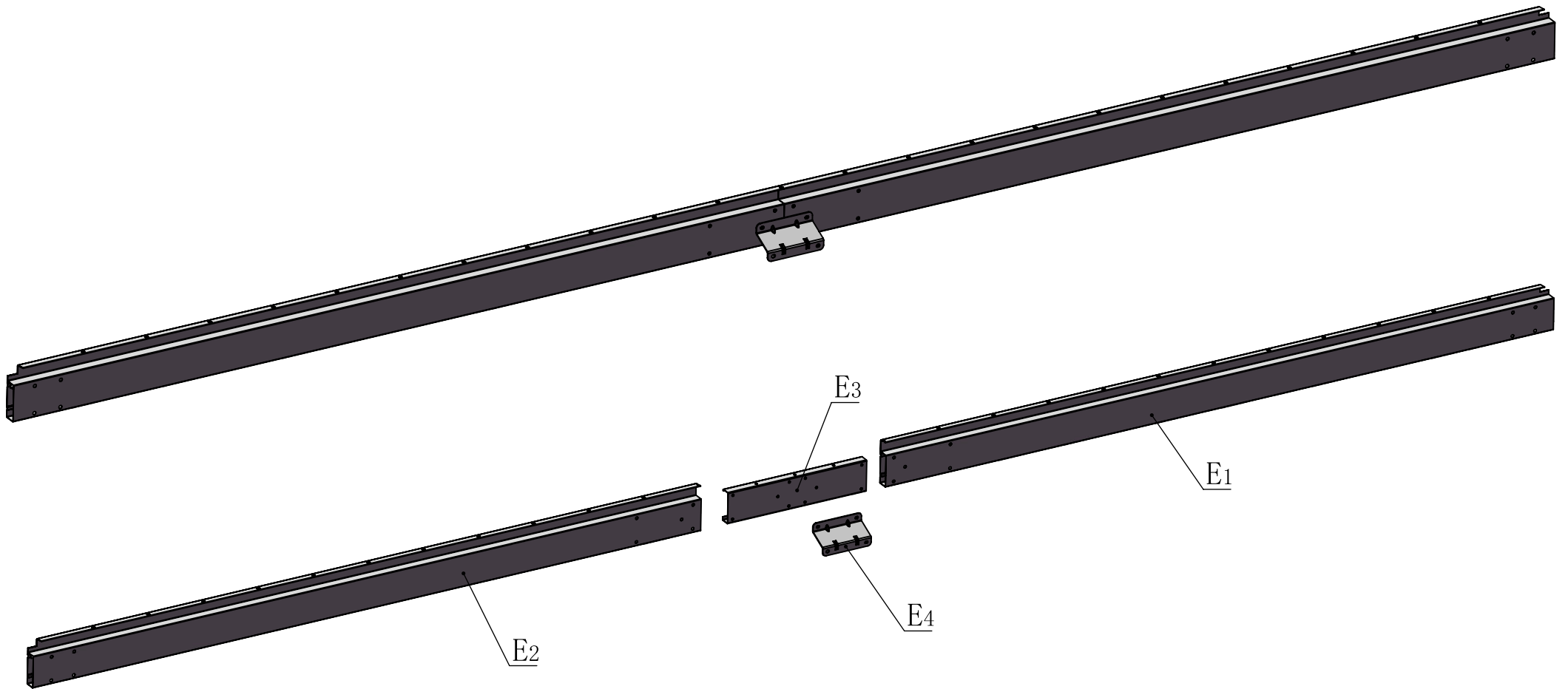
C7

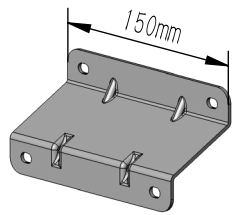
D2

C6

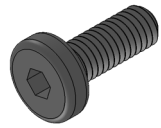
D1

Rear Beam Assembly



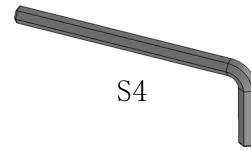


E4 1X



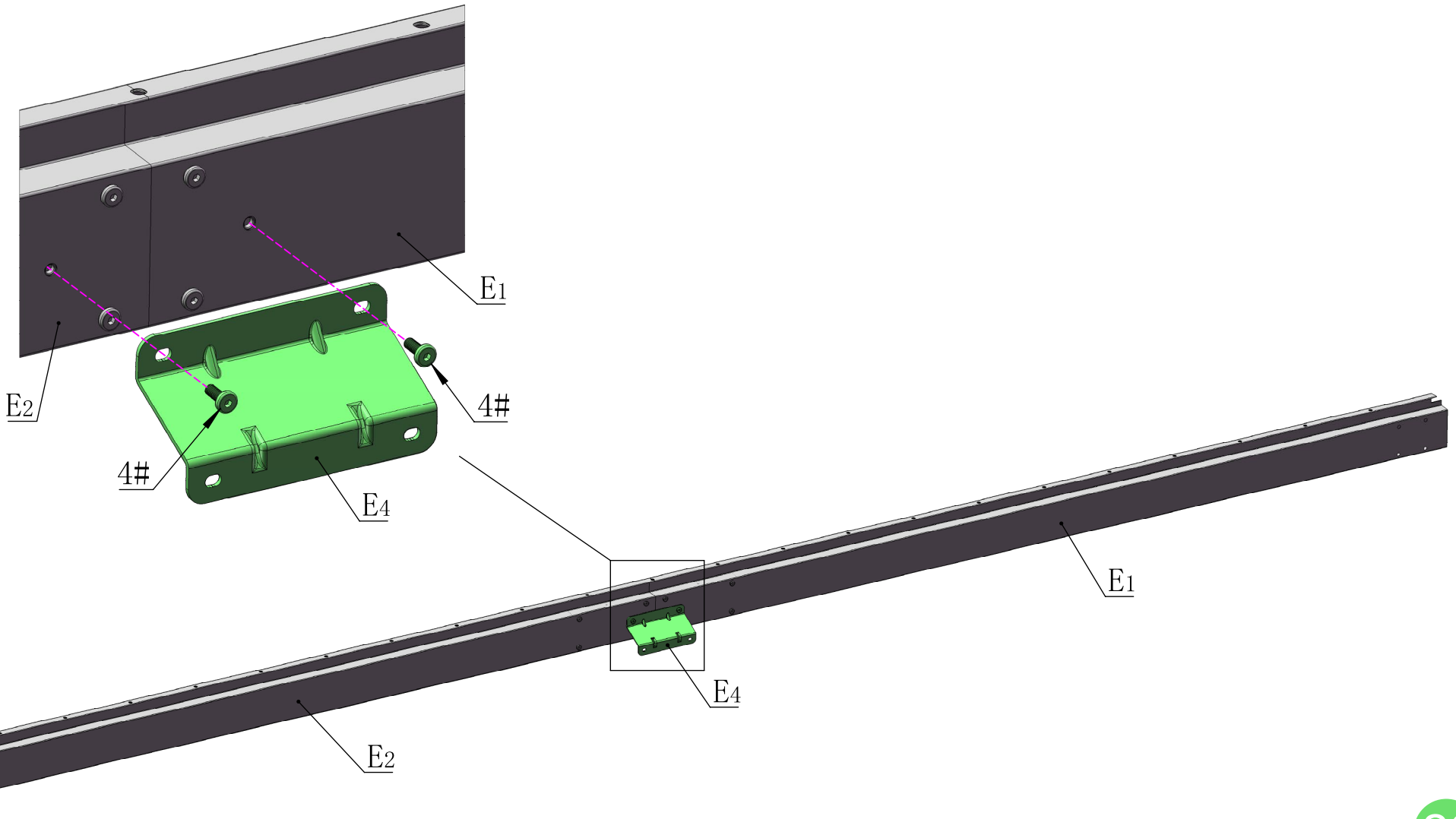
M6*16

4# 2X

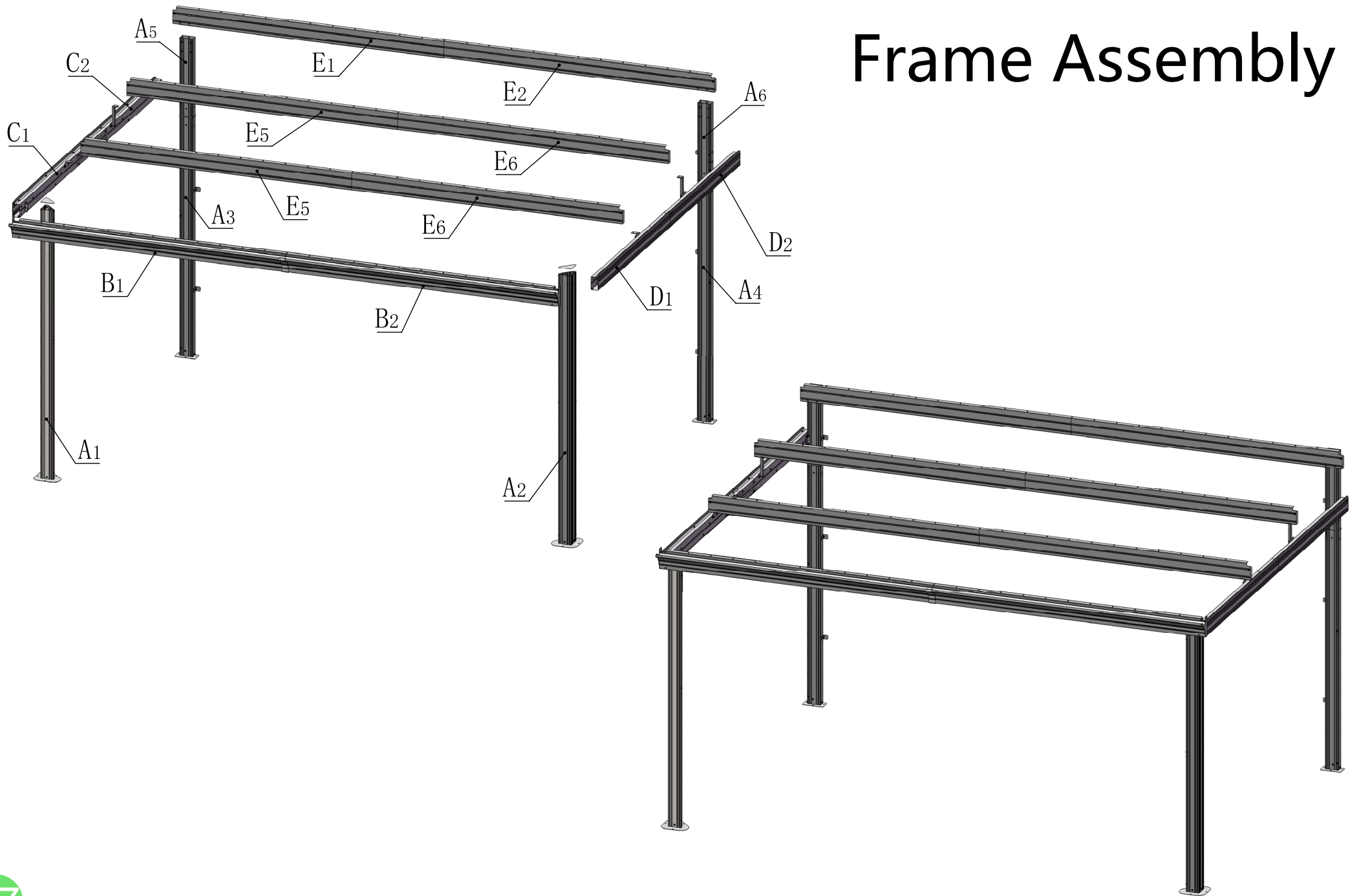


S4

23# 1X

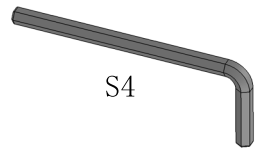


Frame Assembly





M6*16



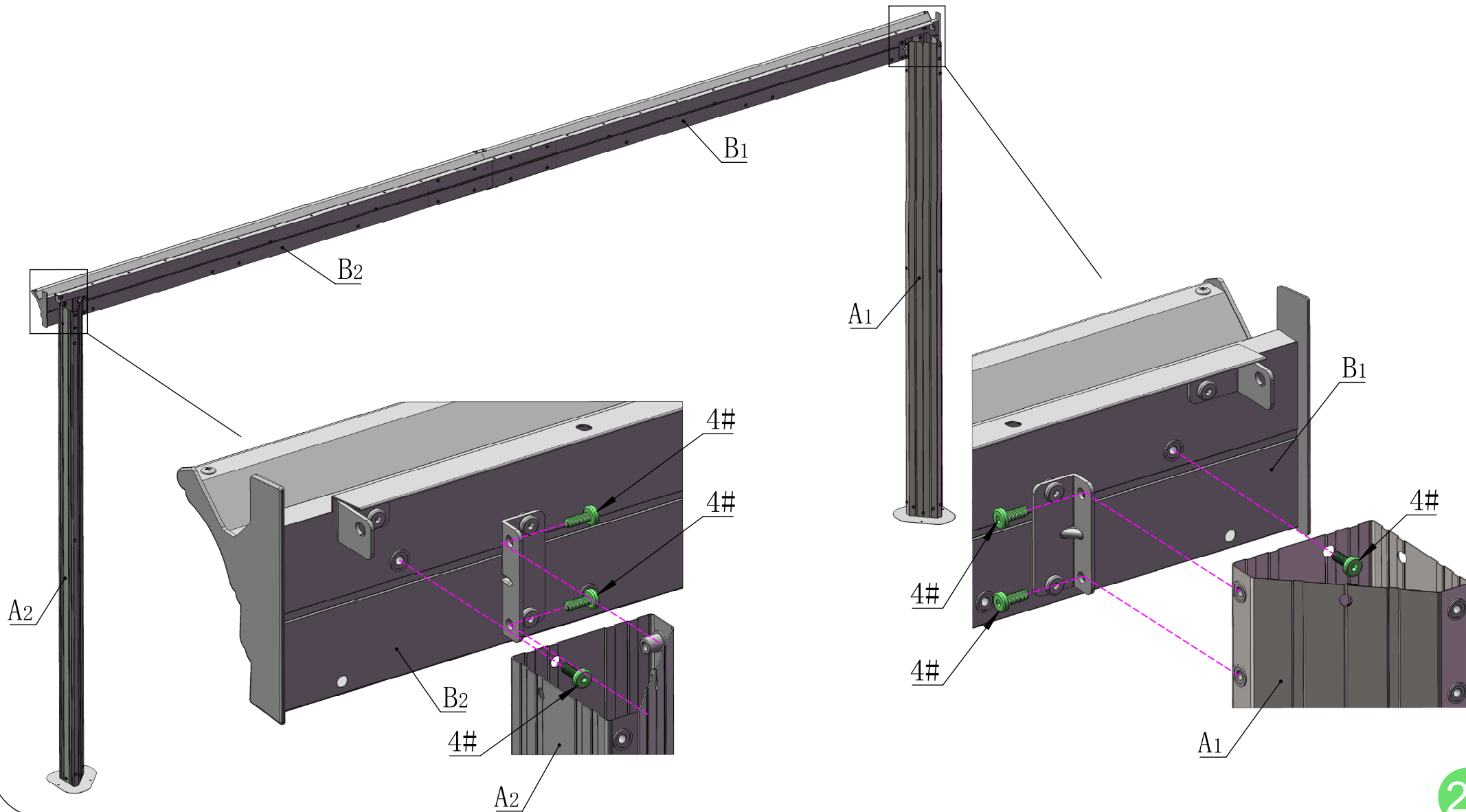
S4

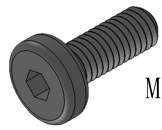
4#

6X

23#

1X

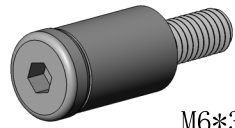




M6*16

4#

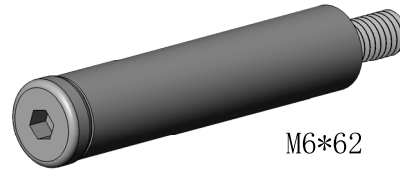
10X



M6*30

7#

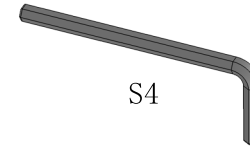
2X



M6*62

9#

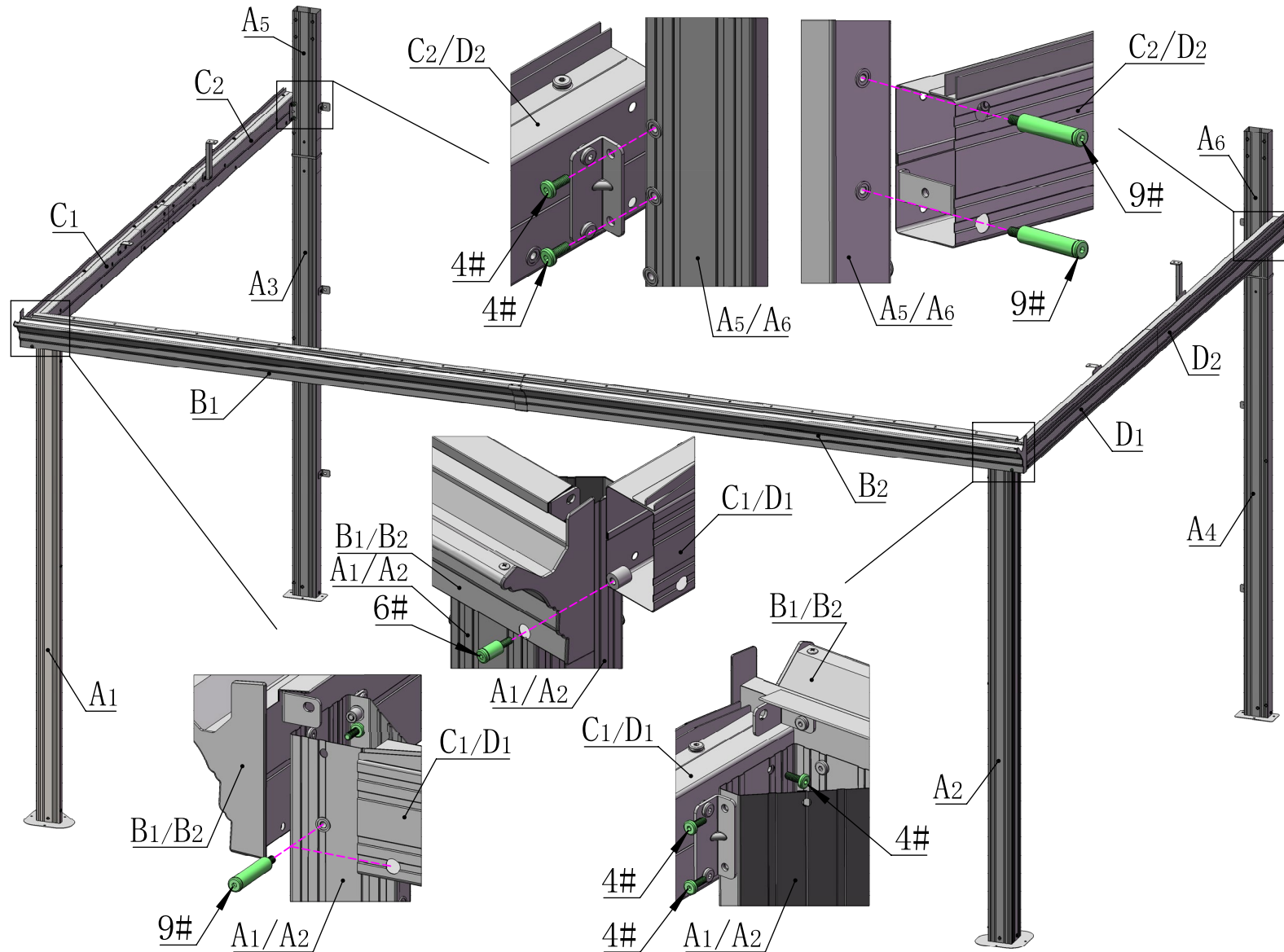
6X

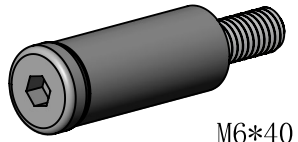


S4

23#

1X

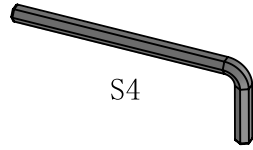




M6*40

8#

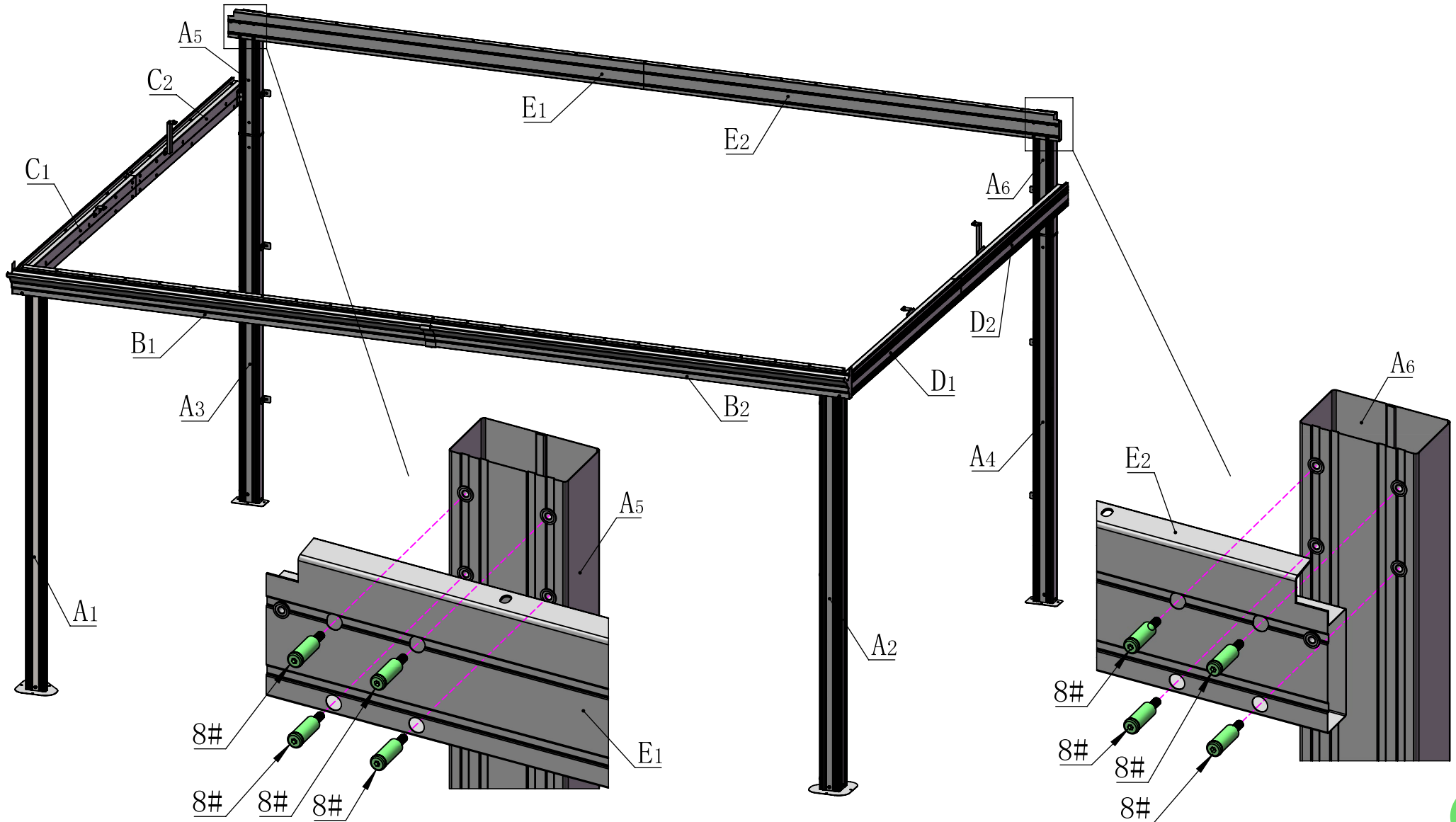
8X

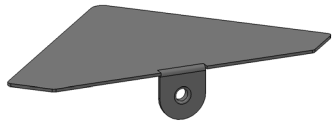


S4

23#

1X





I1

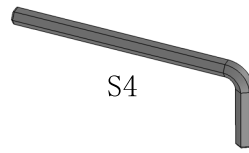
2X



M6*16

4#

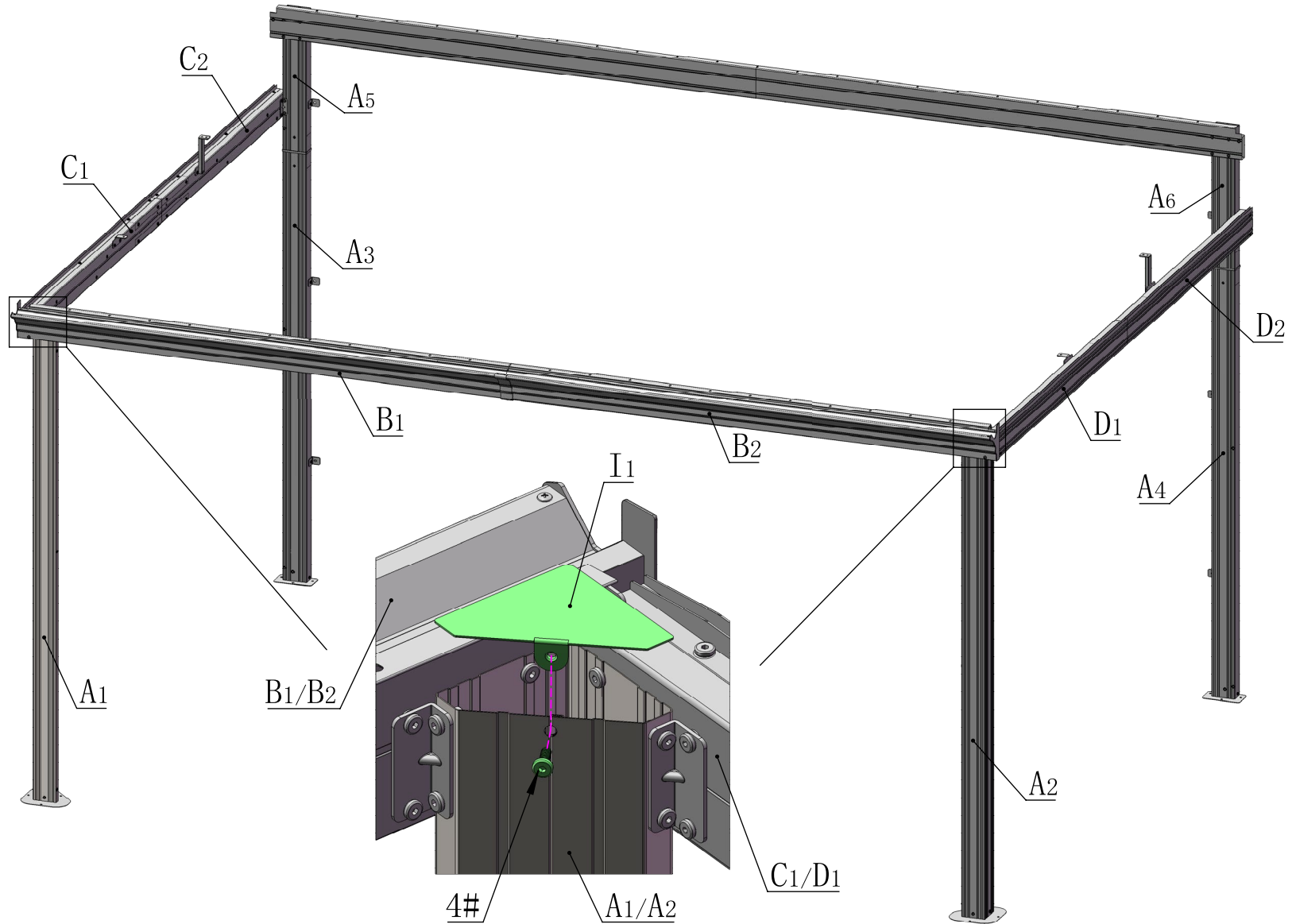
2X

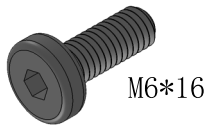


S4

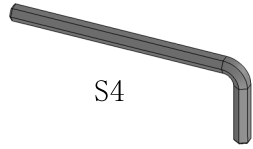
23#

1X





M6*16



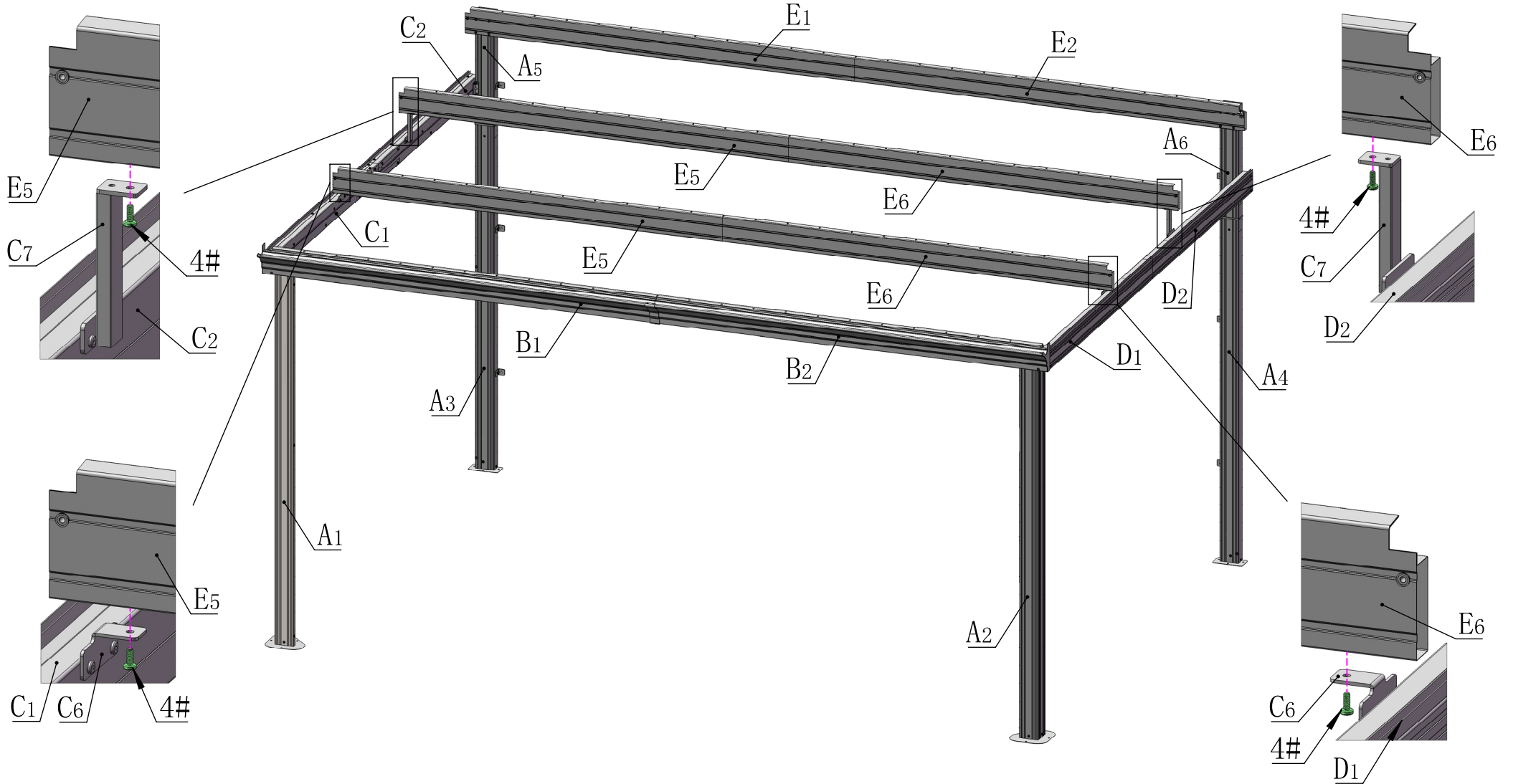
S4

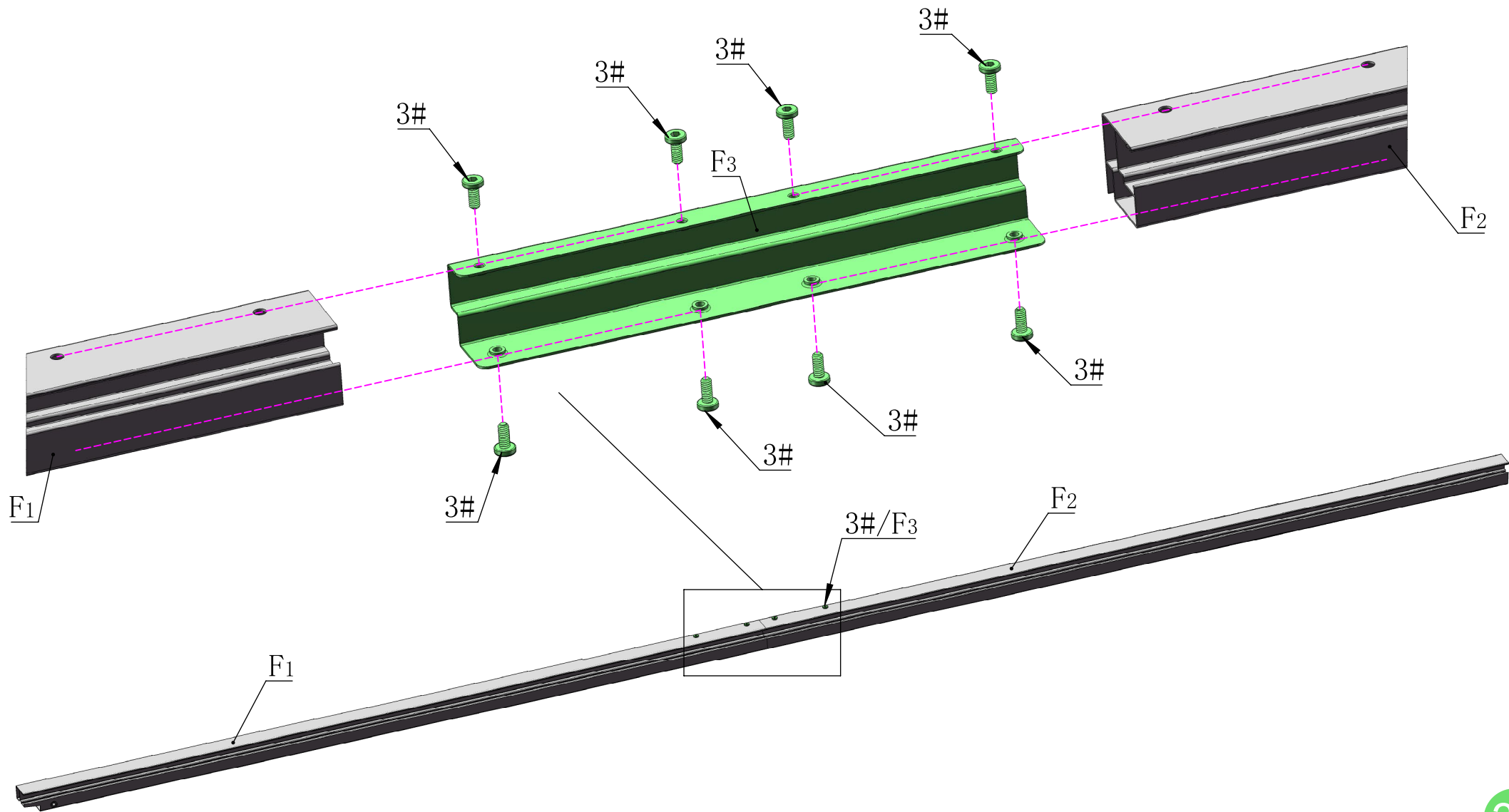
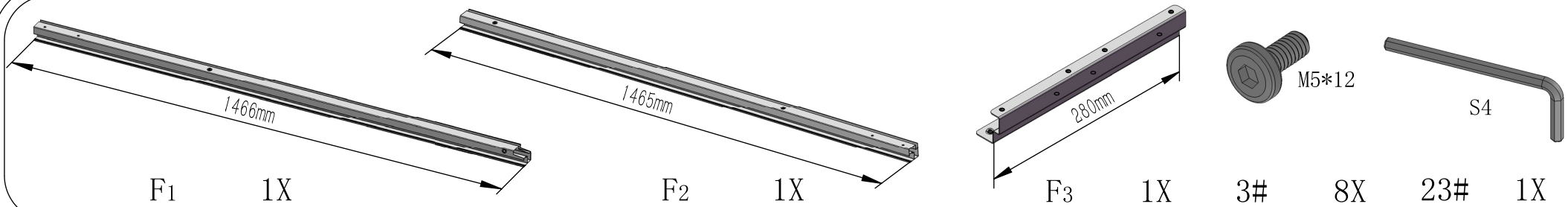
4#

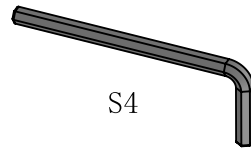
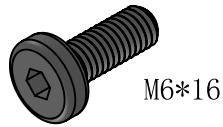
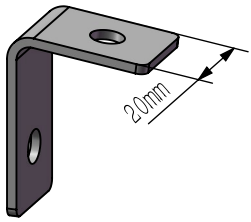
4X

23#

1X





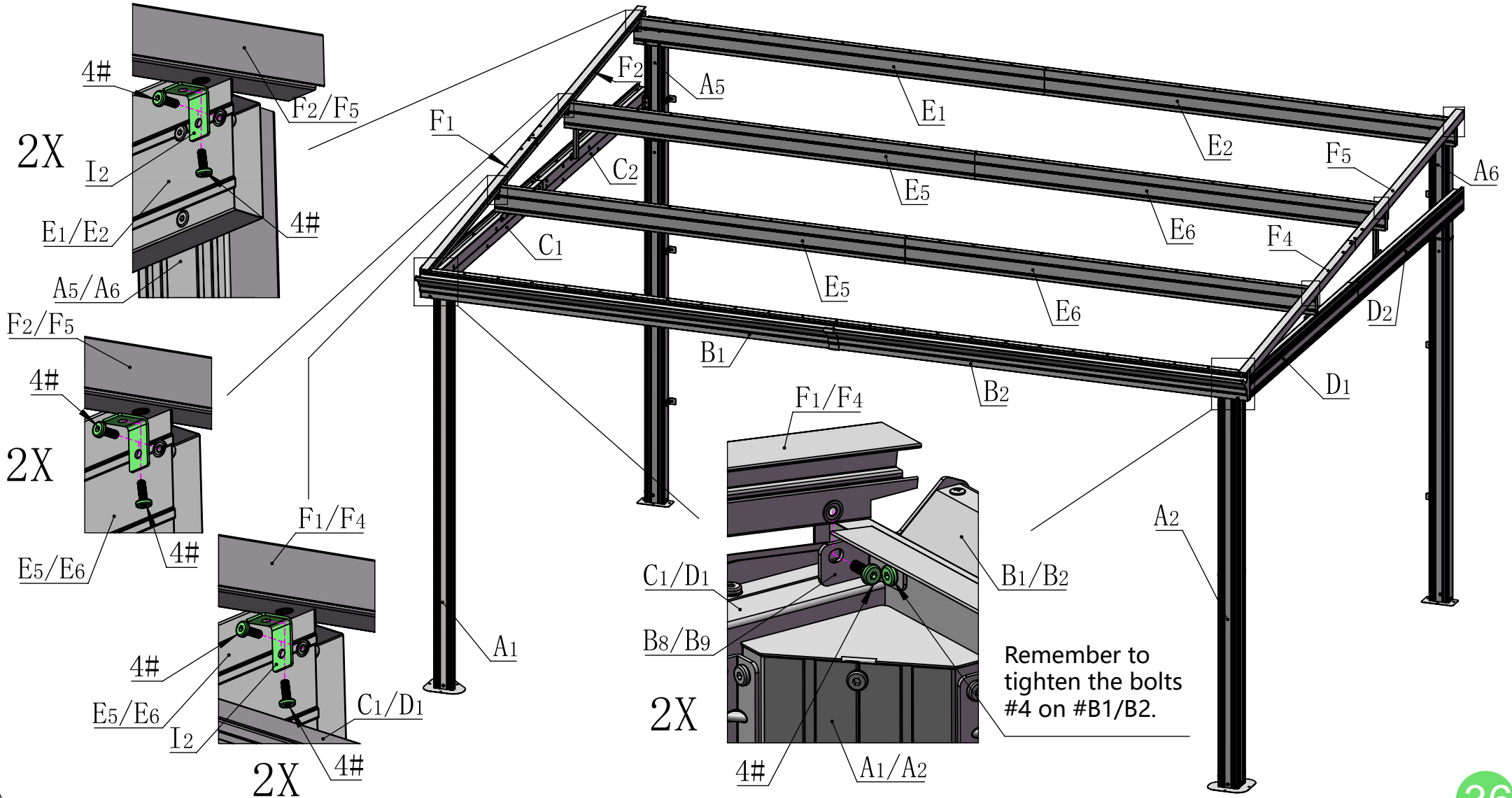


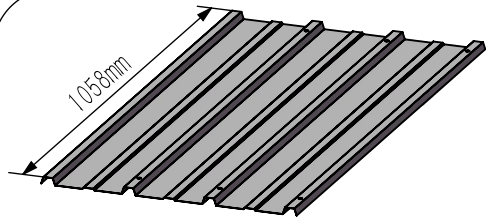
Please use bolts #4 to install the Bracket #12 to the BEAM FIRST, then to the Roof Tube.

I₂ 6X

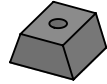
4# 14X

23# 1X

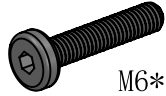




K1 1X



K3 2X



6# 2X

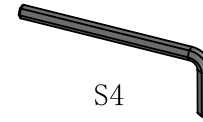


15# 2X



D12/d6. 2*H2

26# 2X



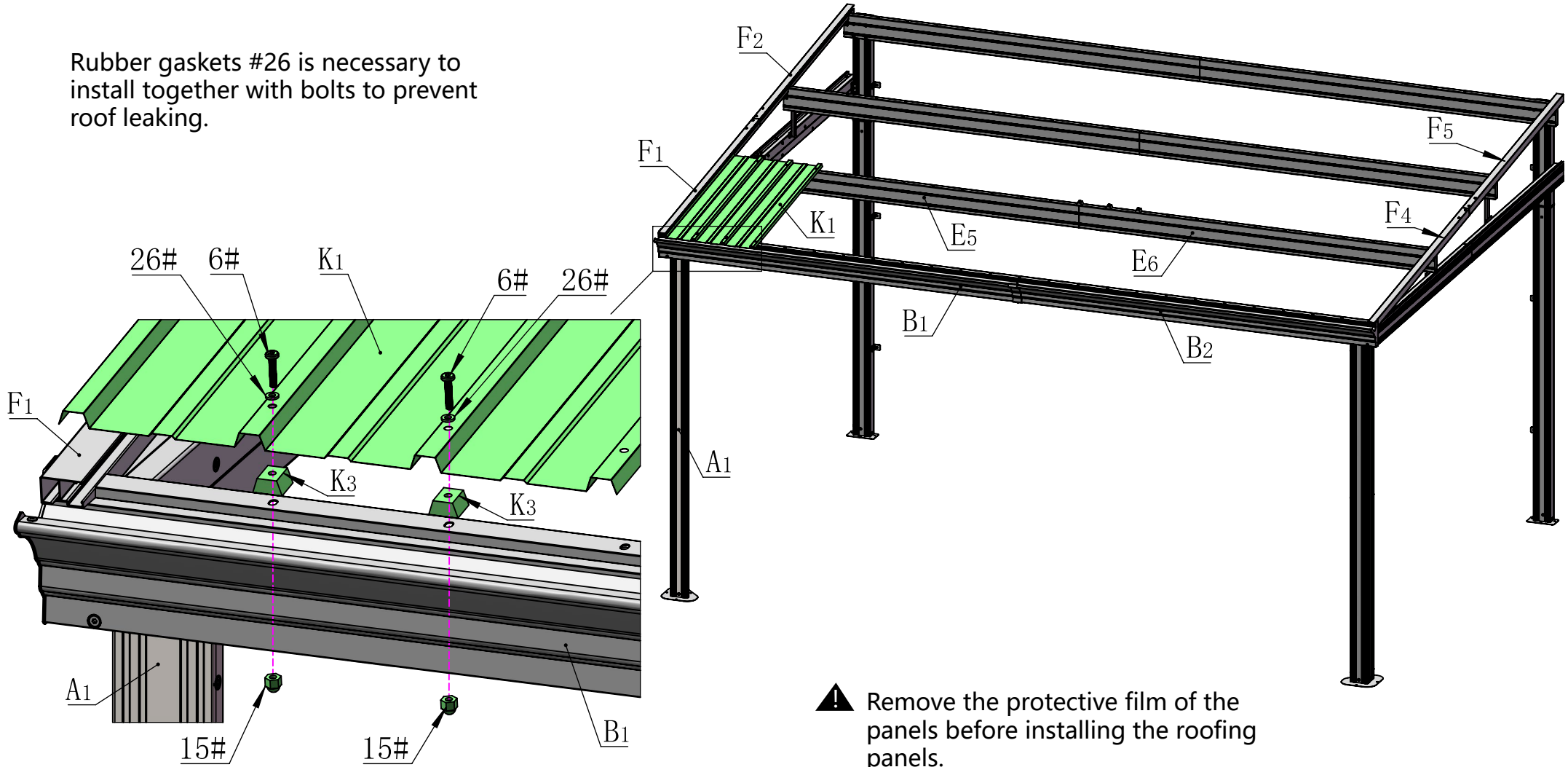
S4

23# 1X

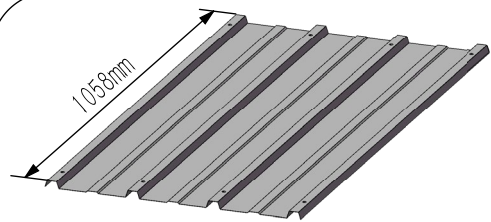


25# 1X

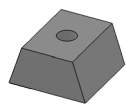
Rubber gaskets #26 is necessary to install together with bolts to prevent roof leaking.



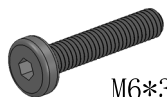
! Remove the protective film of the panels before installing the roofing panels.



K2 6X



K3 18X



M6*30

6# 18X

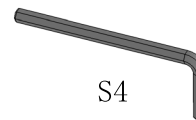


15# 18X



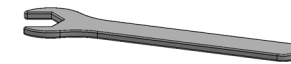
D12/d6. 2*H2

26# 18X



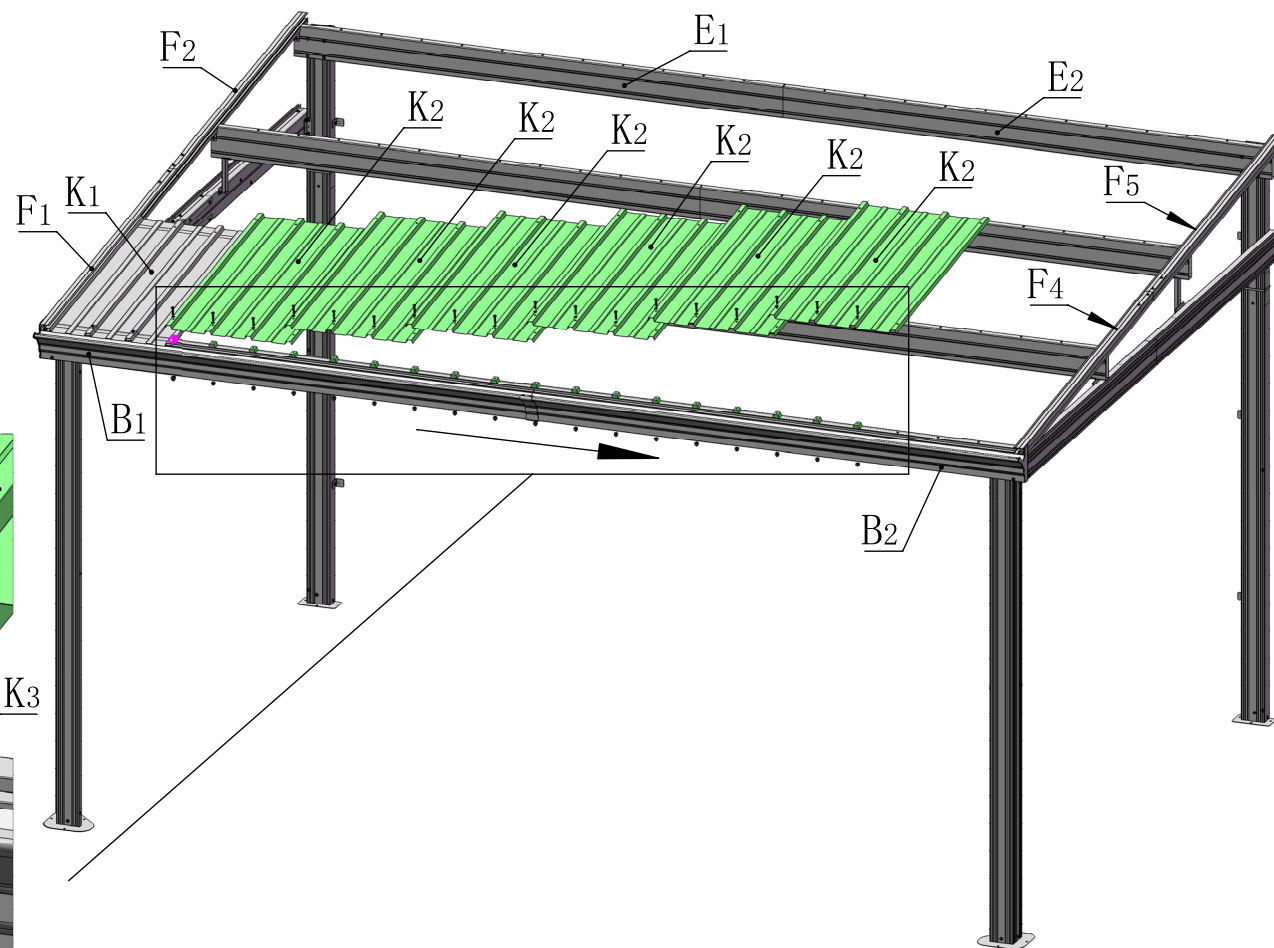
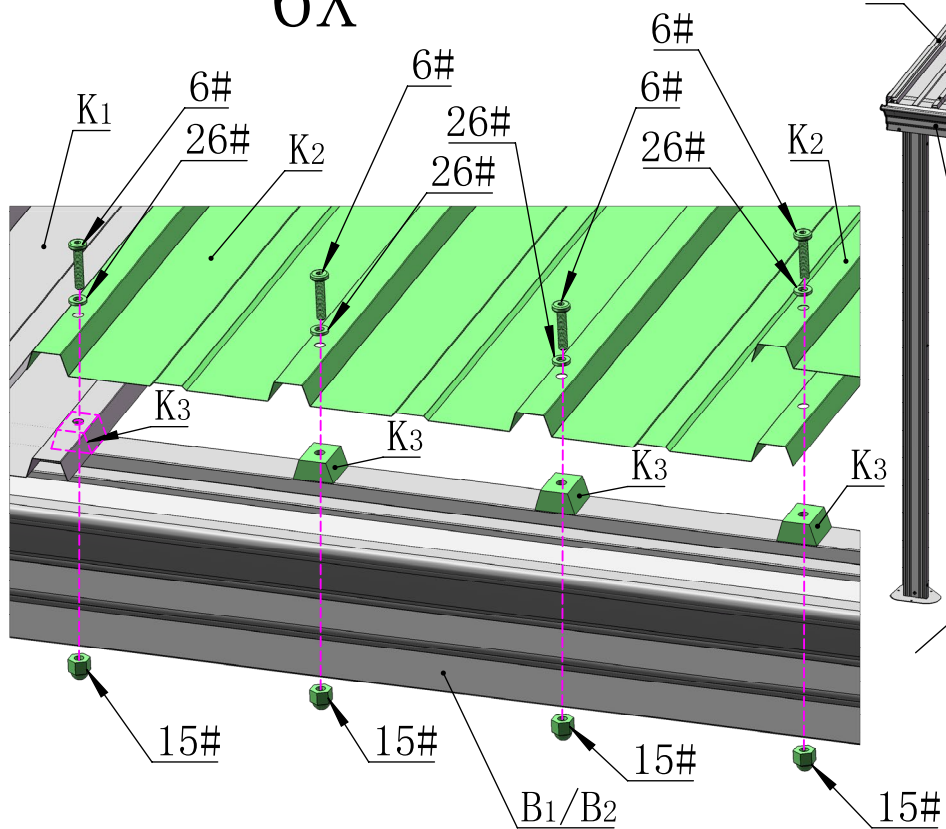
S4

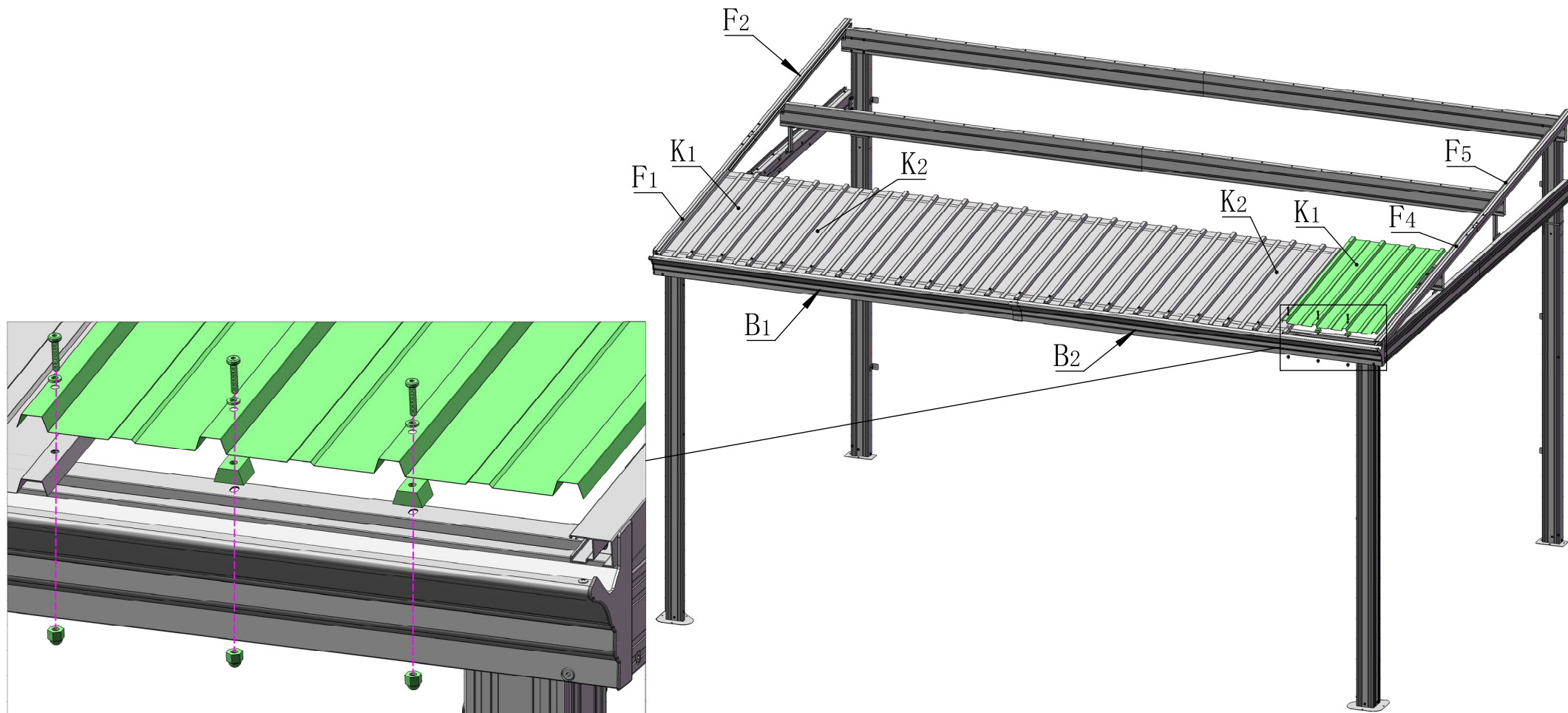
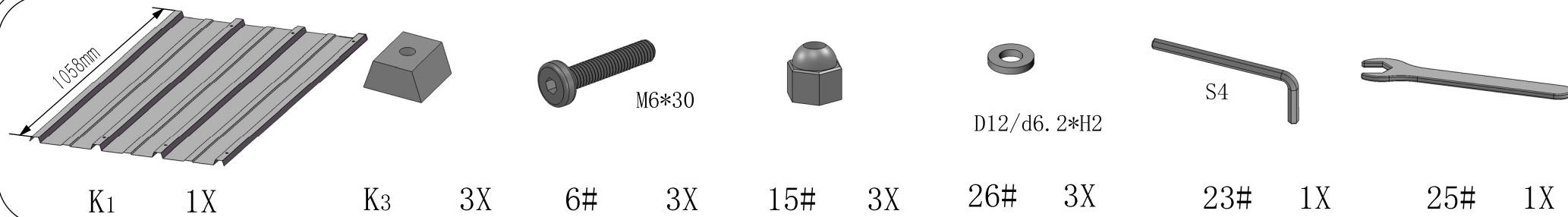
23# 1X

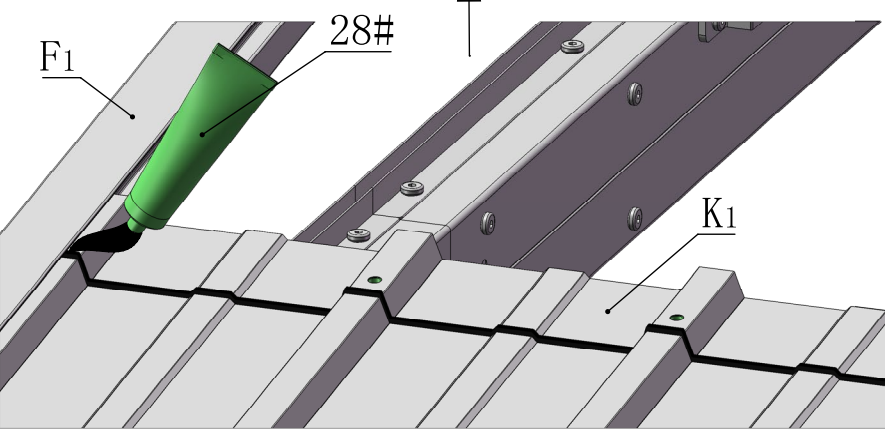
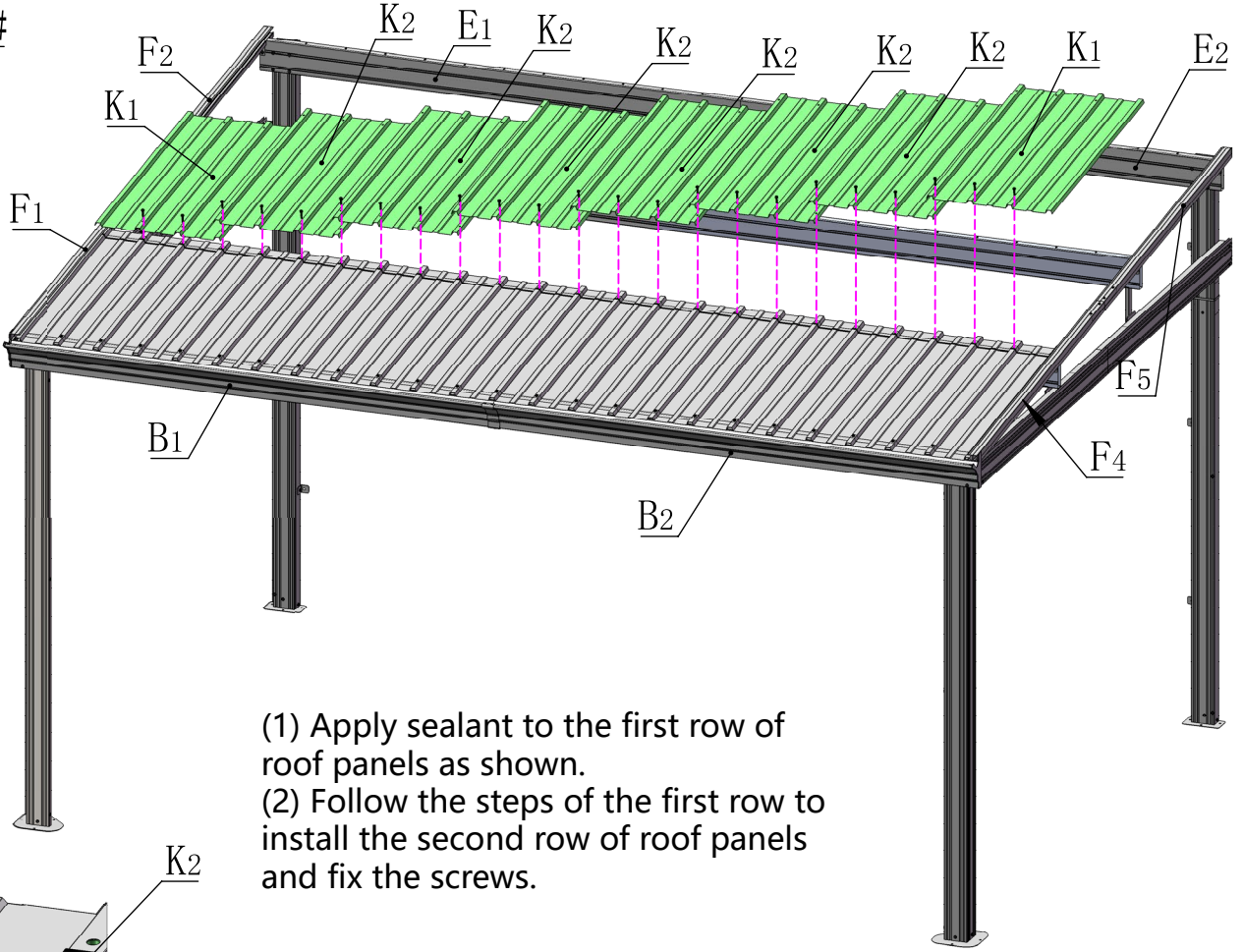
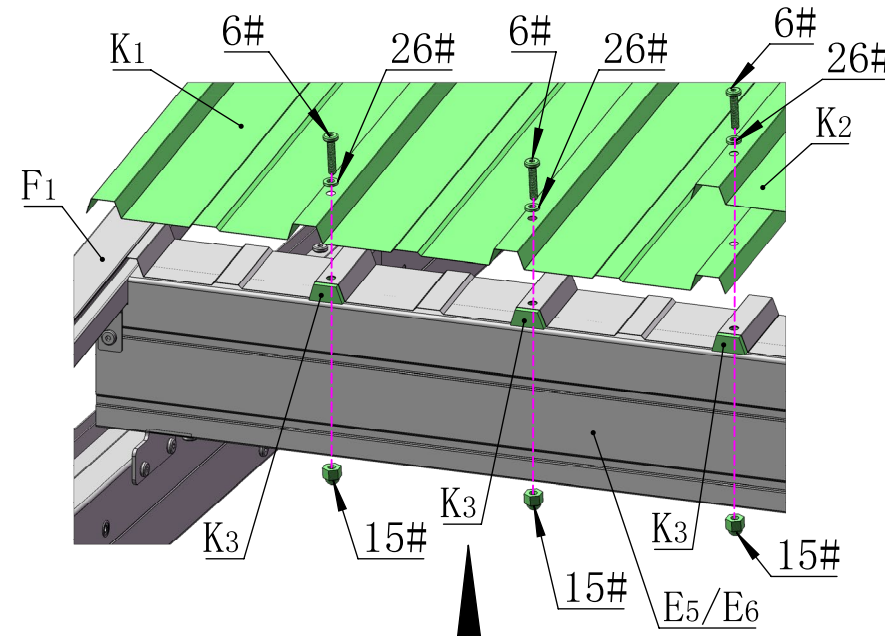
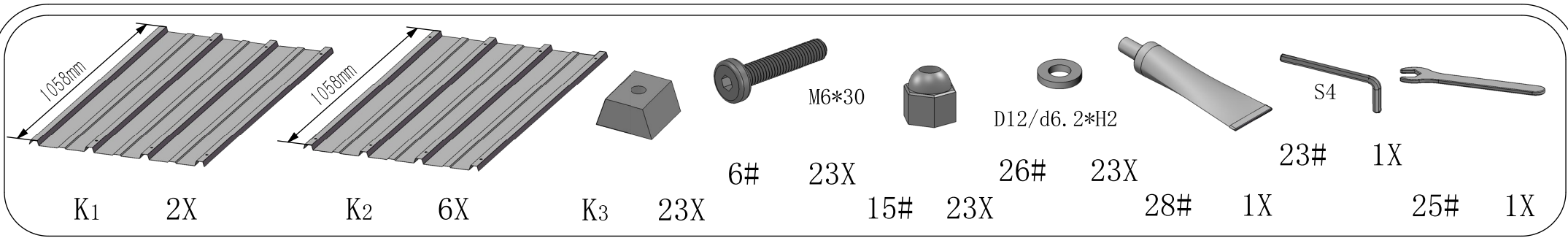


25# 1X

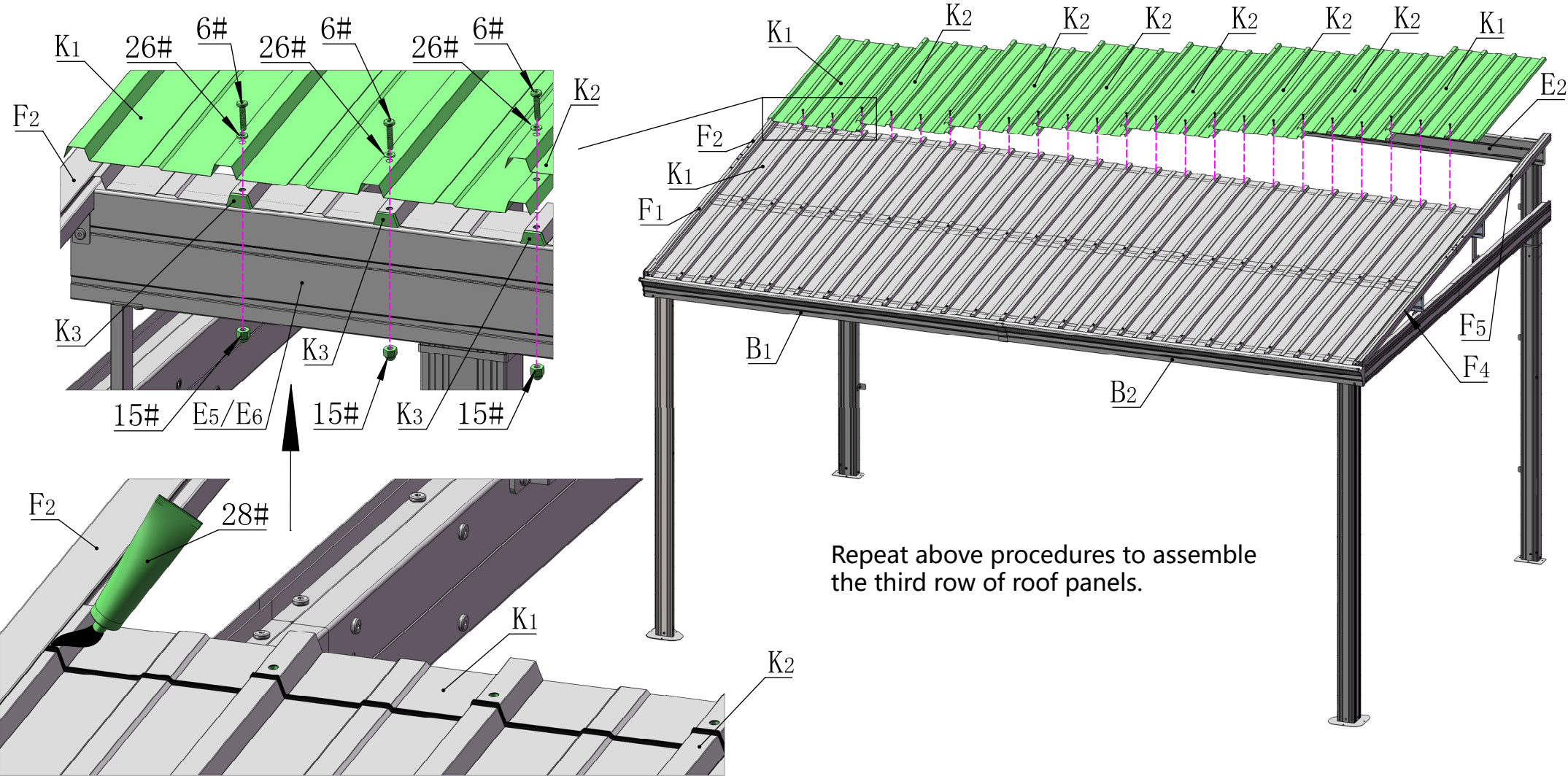
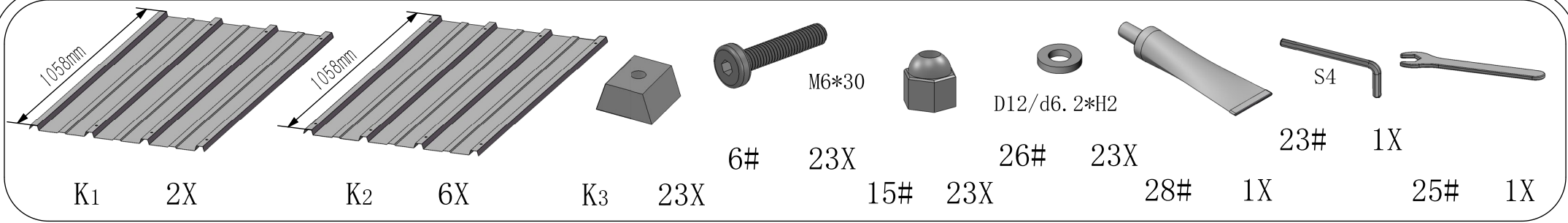
6X



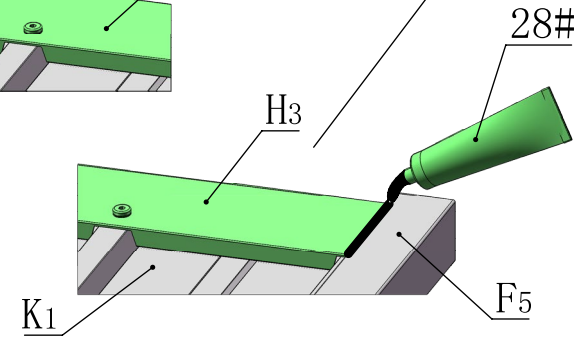
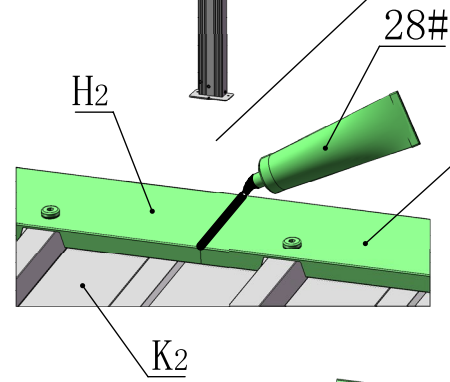
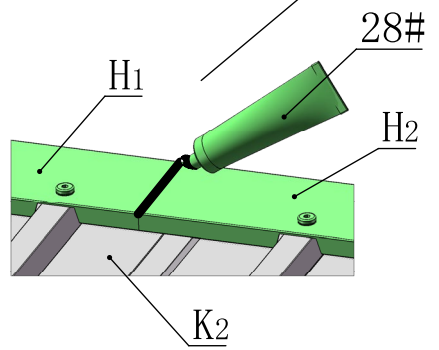
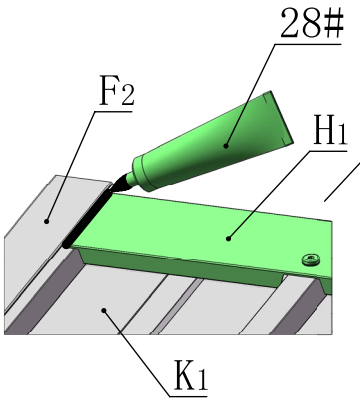
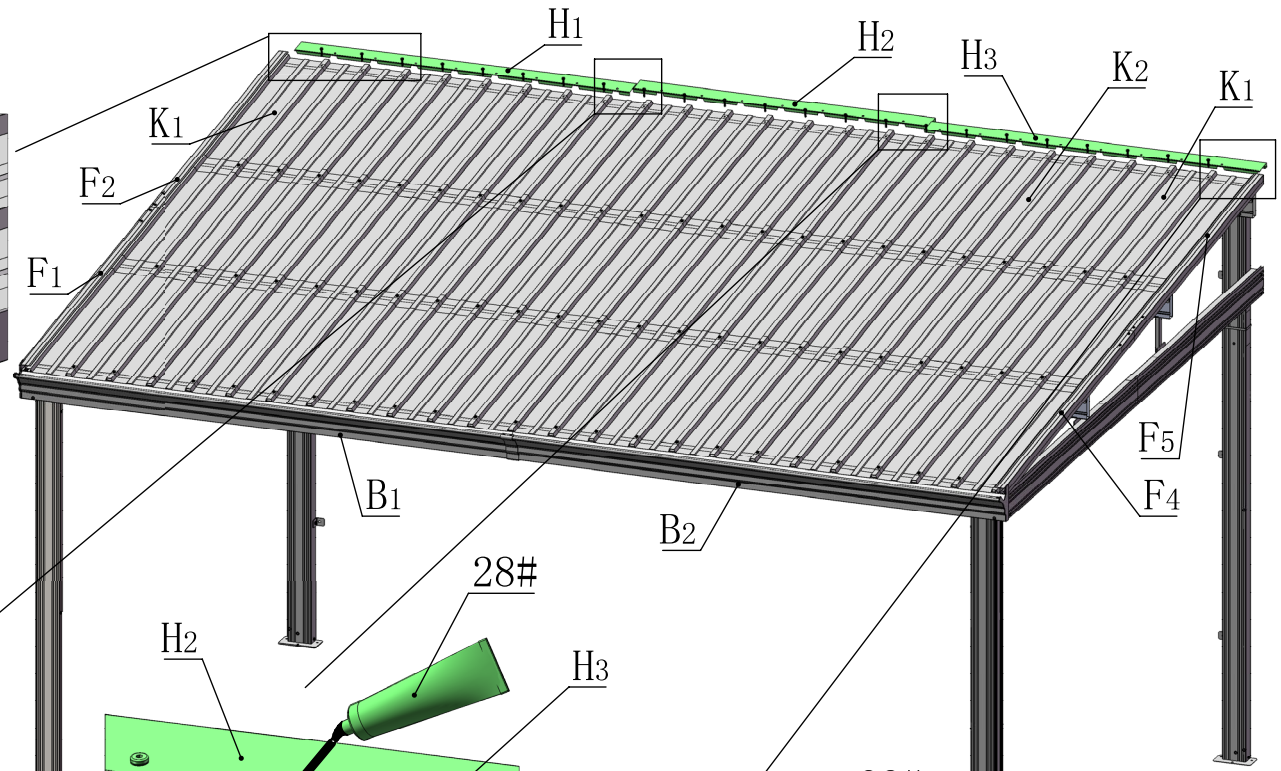
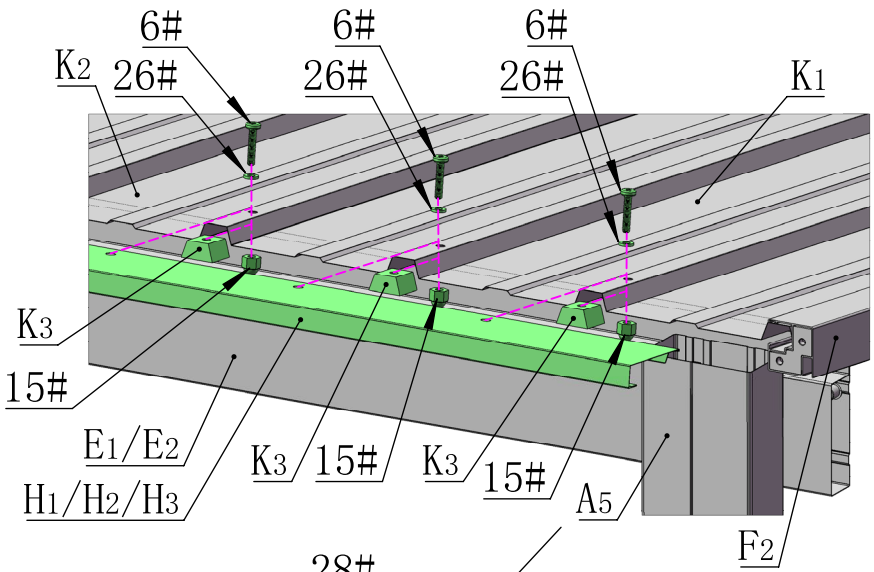
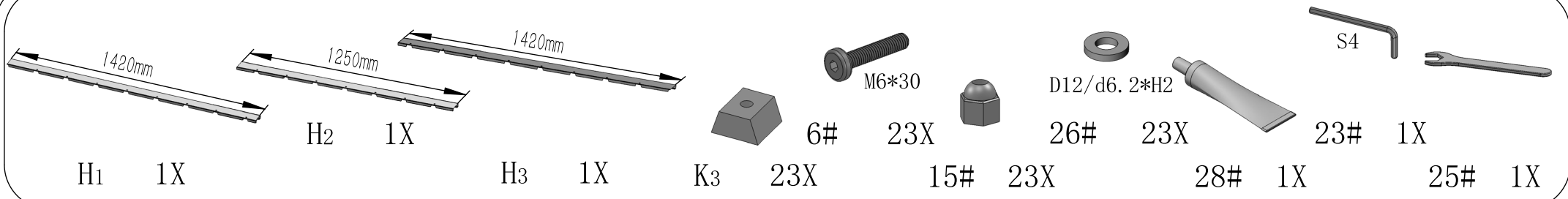


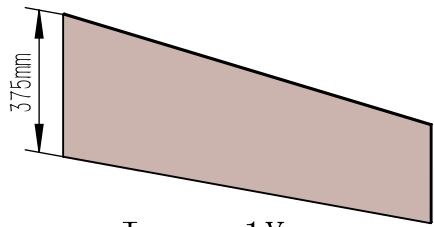


(1) Apply sealant to the first row of roof panels as shown.
 (2) Follow the steps of the first row to install the second row of roof panels and fix the screws.

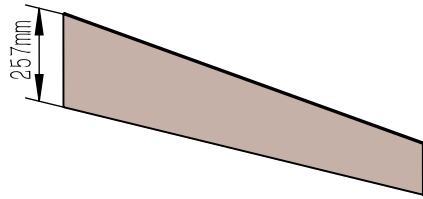


Repeat above procedures to assemble the third row of roof panels.

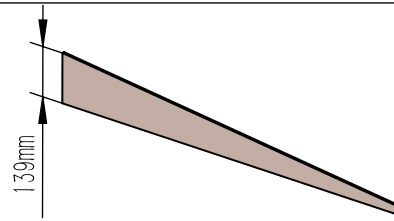




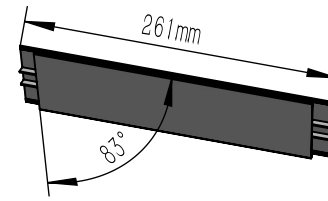
J5 1X



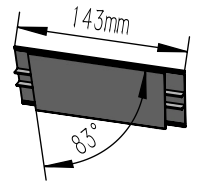
J7 1X



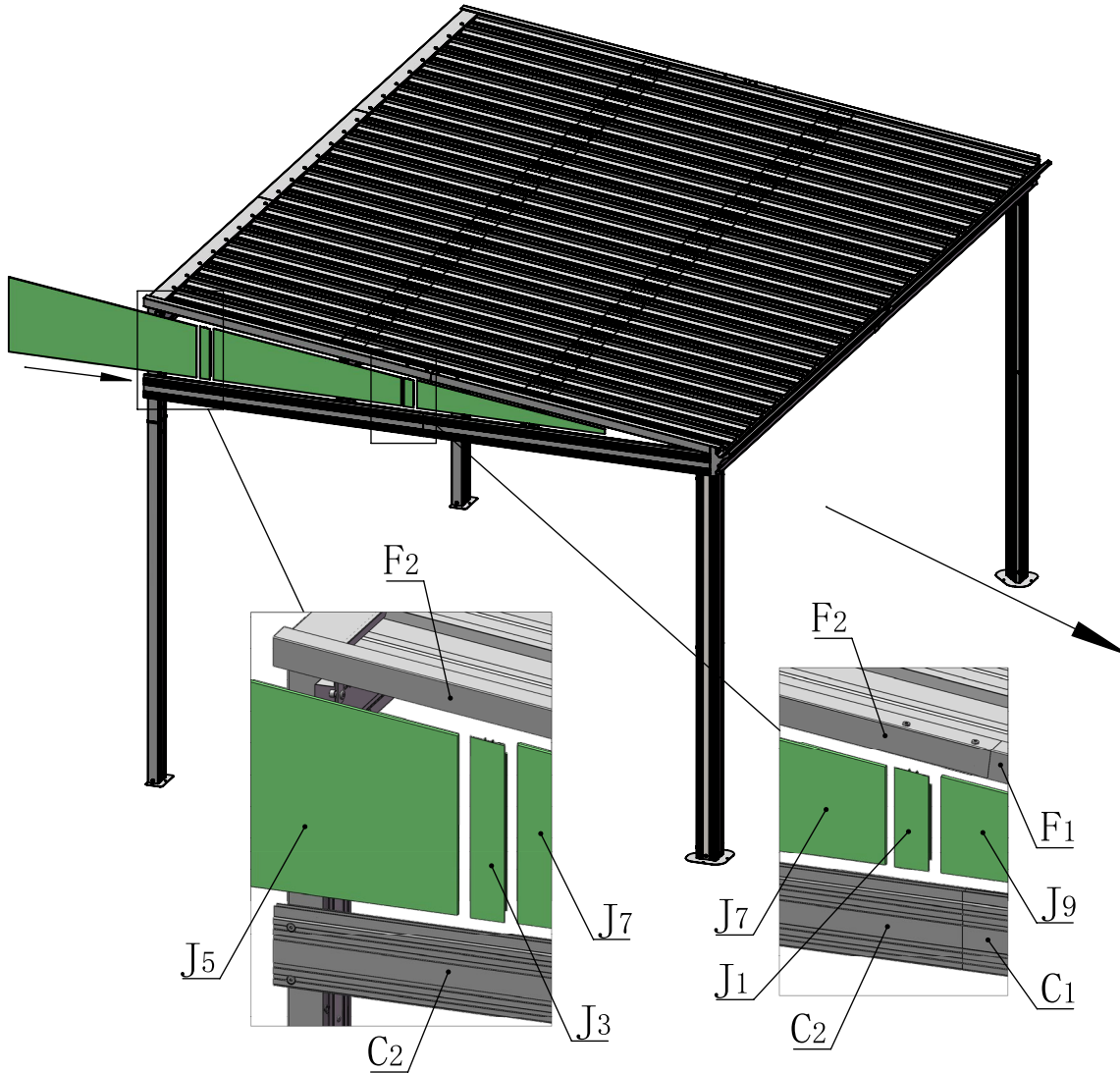
J9 1X



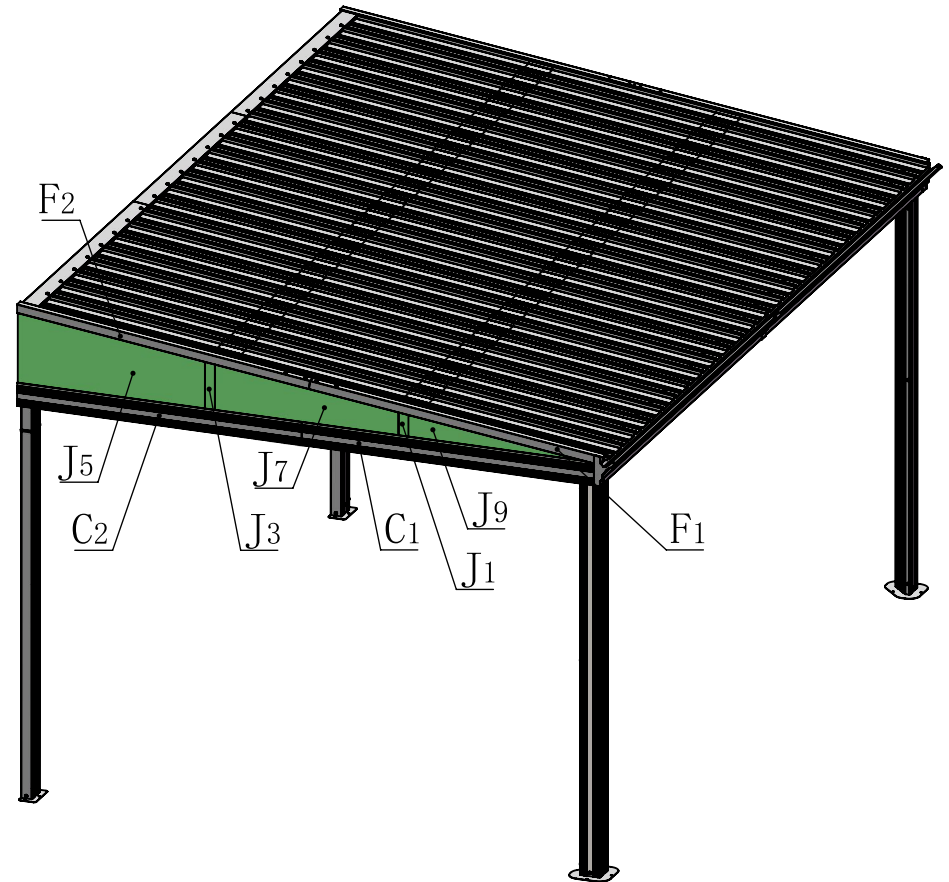
J3 1X

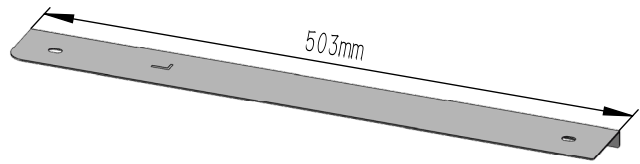


J1 1X

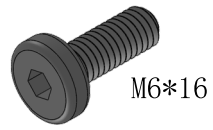


⚠ There are front and back sides for the installation of the PC board, with the front side facing outward. The notch of #J1 & J3 is facing inward.

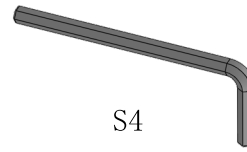




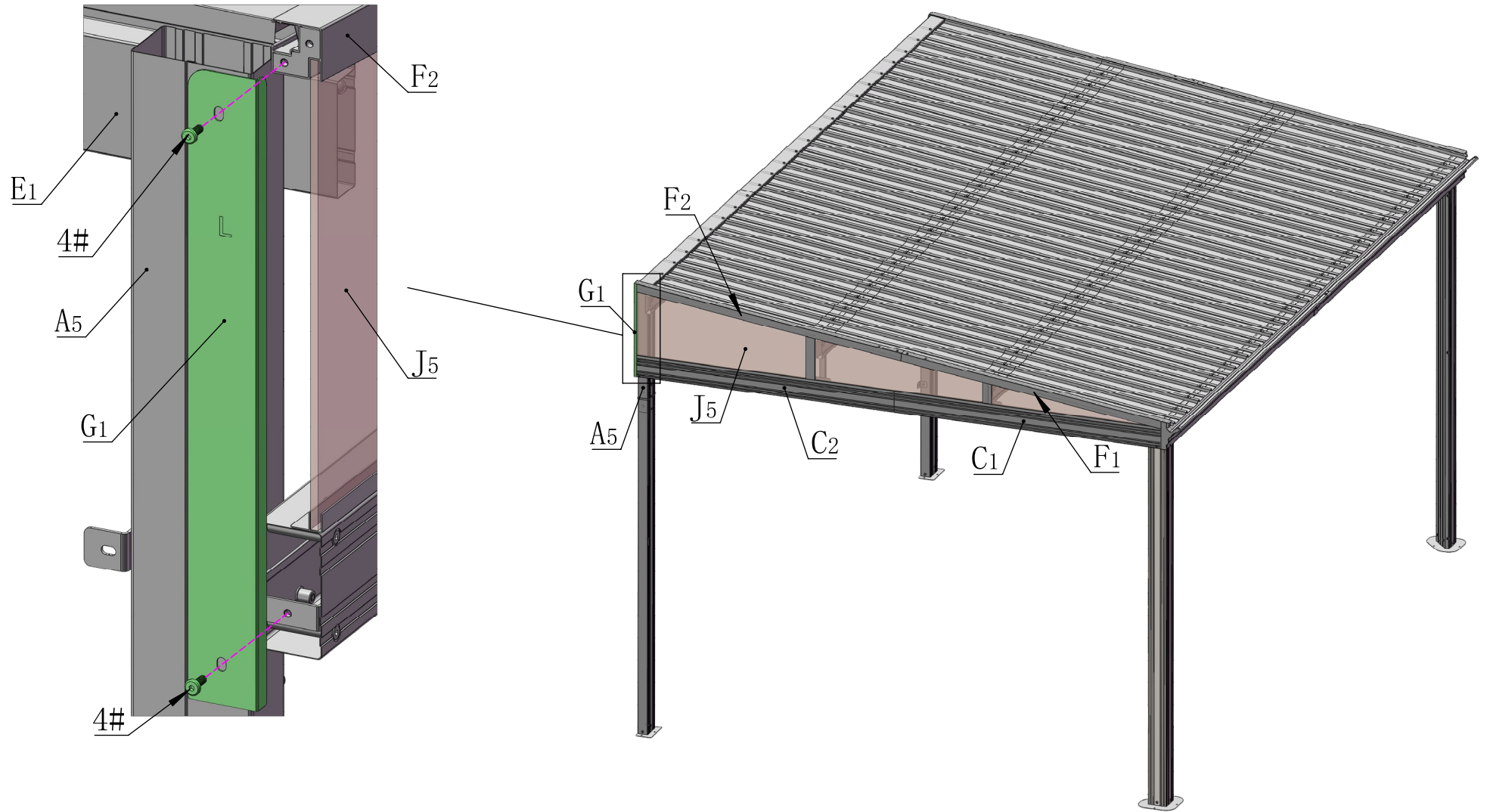
G1 1X

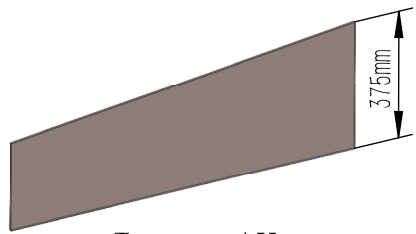


4# 2X

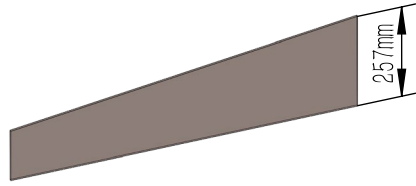


23# 1X

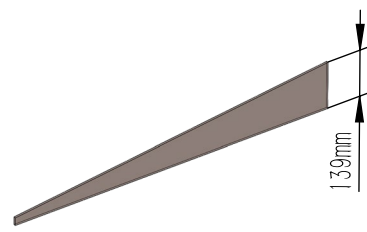




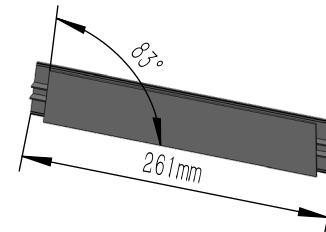
J6 1X



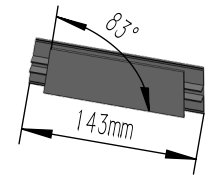
J8 1X



J10 1X

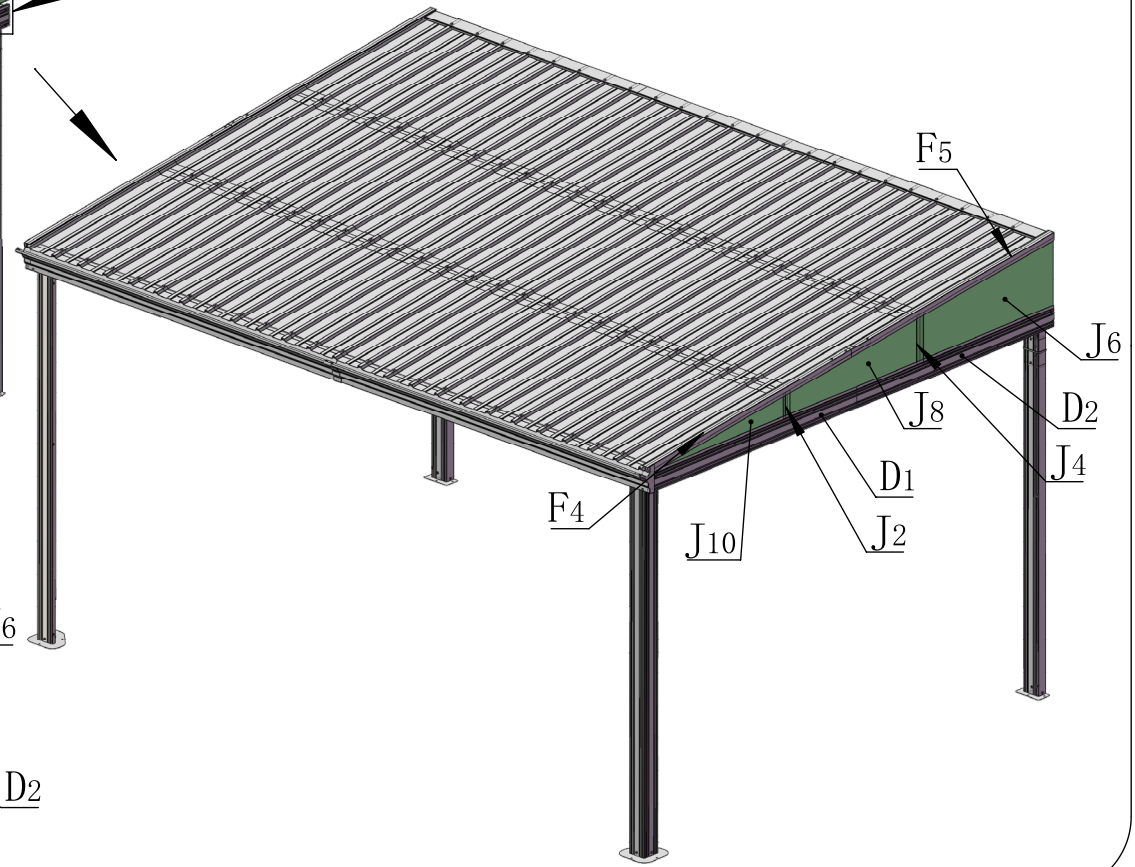
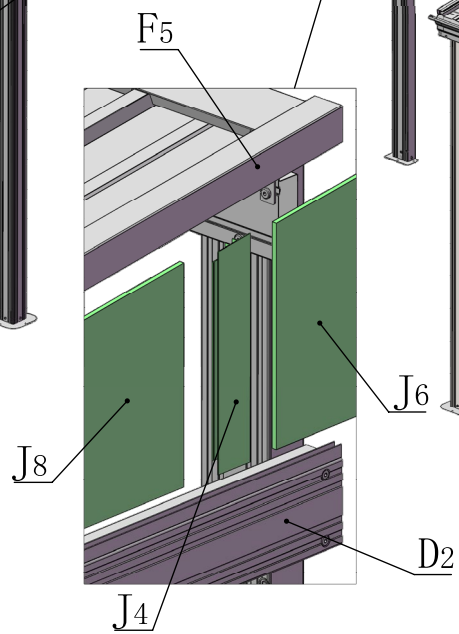
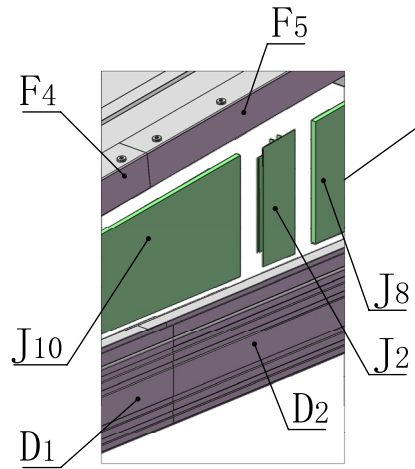
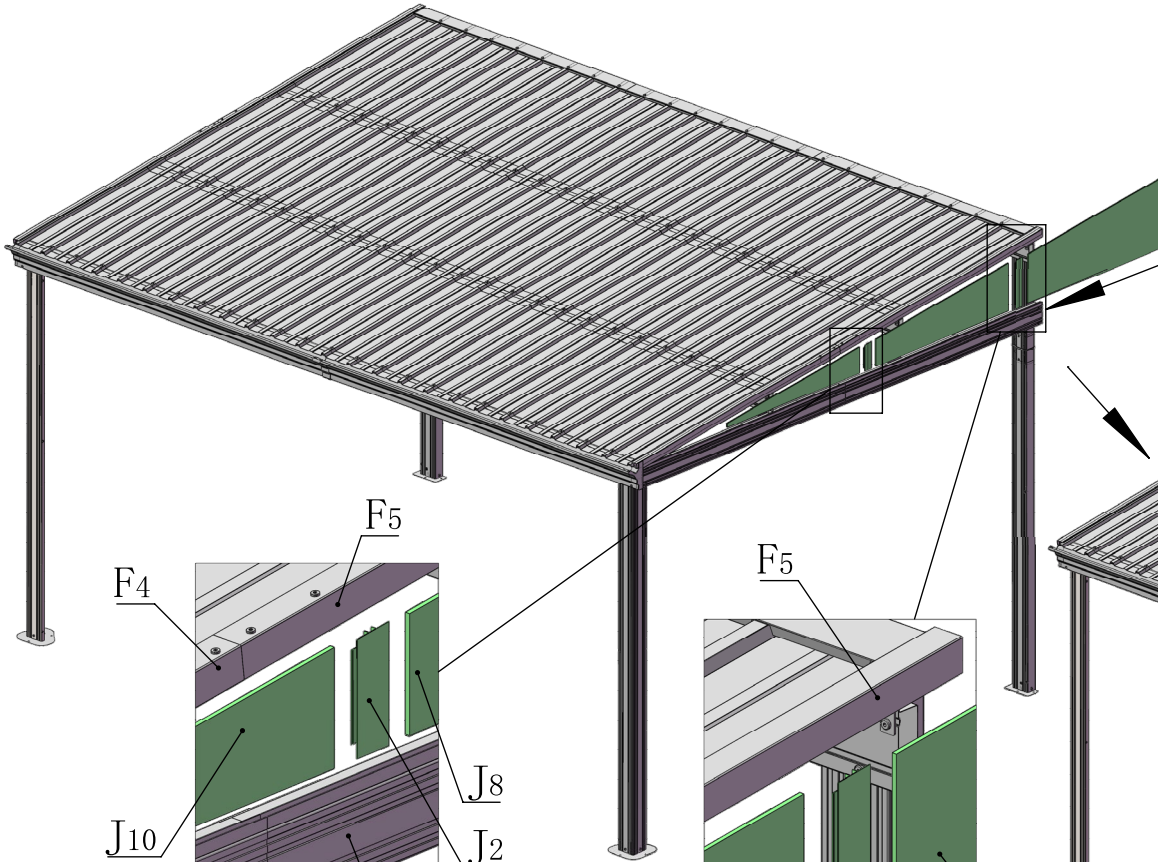


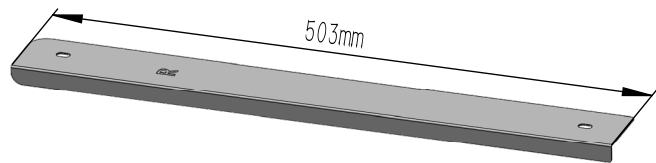
J4 1X



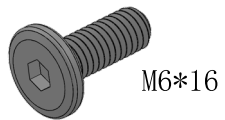
J2 1X

The notch of #J2 & J4 is facing inward.

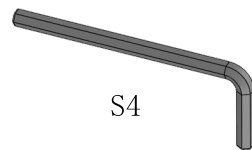




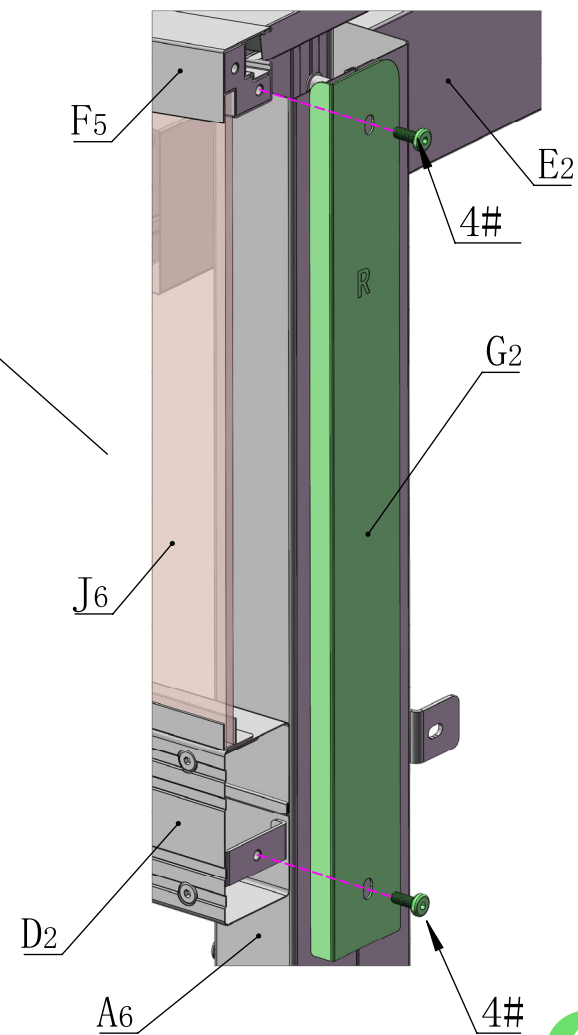
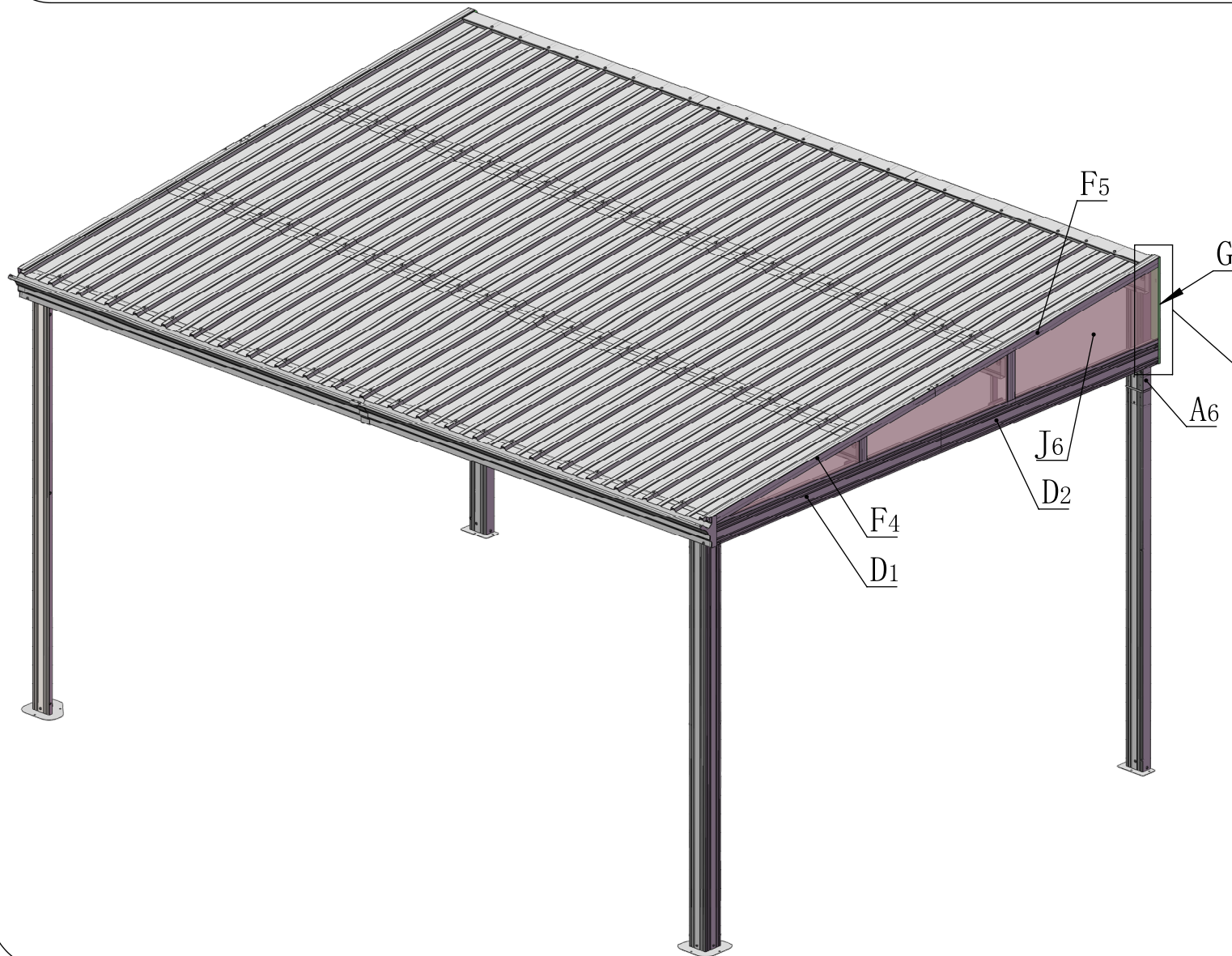
G2 1X

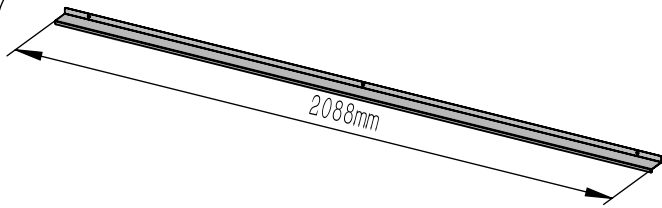


4# 2X



S4 1X





H4 2X



10# 6X



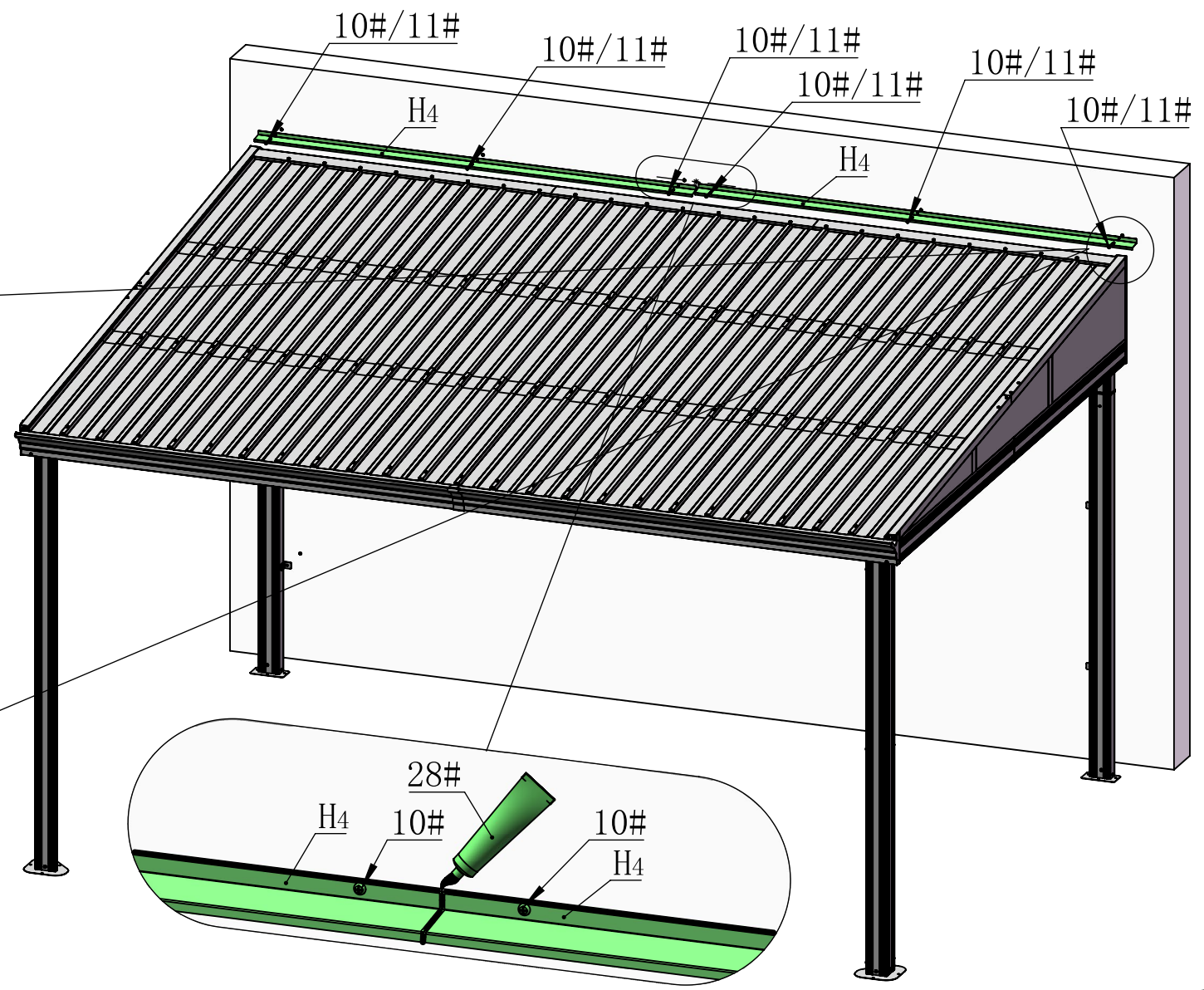
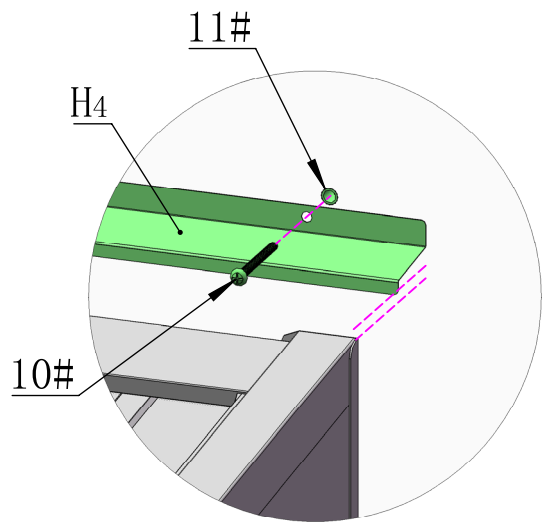
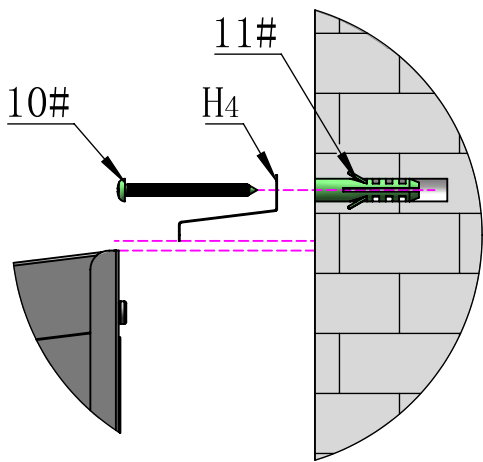
11# 6X

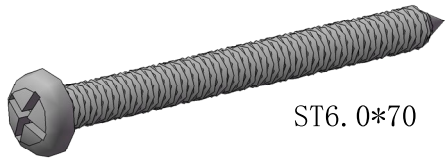


28# 1X

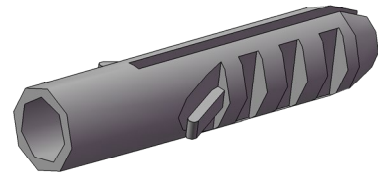


Install this step if you need fix the canopy to the wall (you need to drill holes into the wall). Otherwise please skip this step.



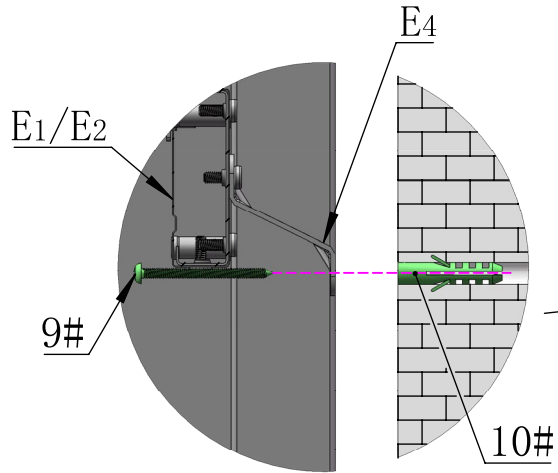


10# 8X

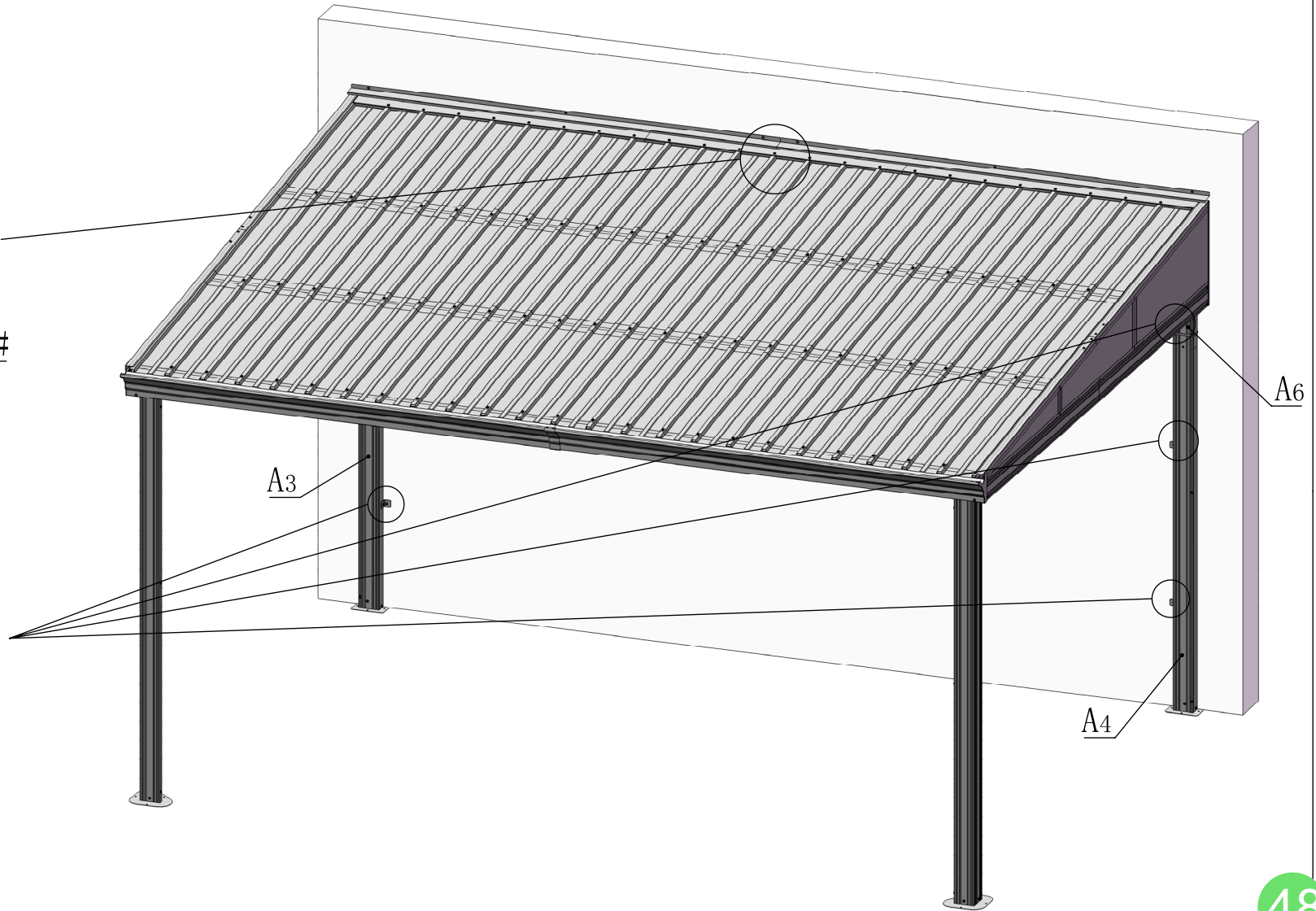
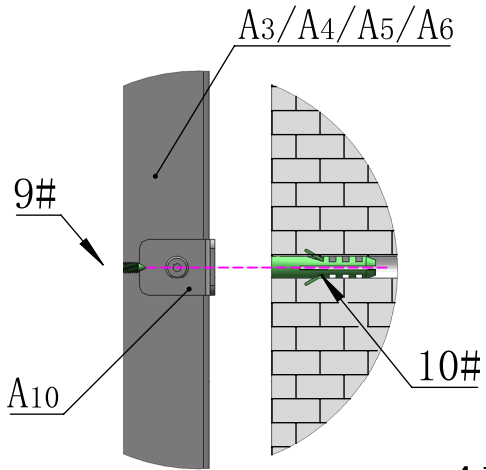


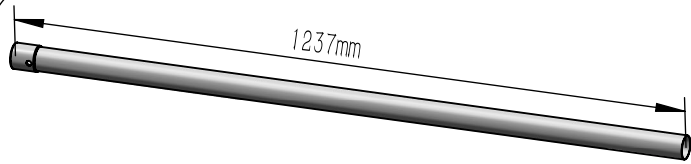
11# 8X

⚠ (1) If you don't consider fixing it to the wall, you can skip this step. (This step requires the user to drill holes in the wall for fixation.)
(3) The bracket #A10 is used to fix the post against the wall. You can assemble only 2 pieces for each post according to the actual installation situation.

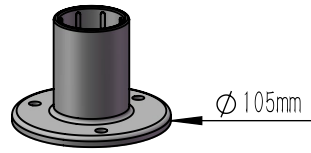


4X

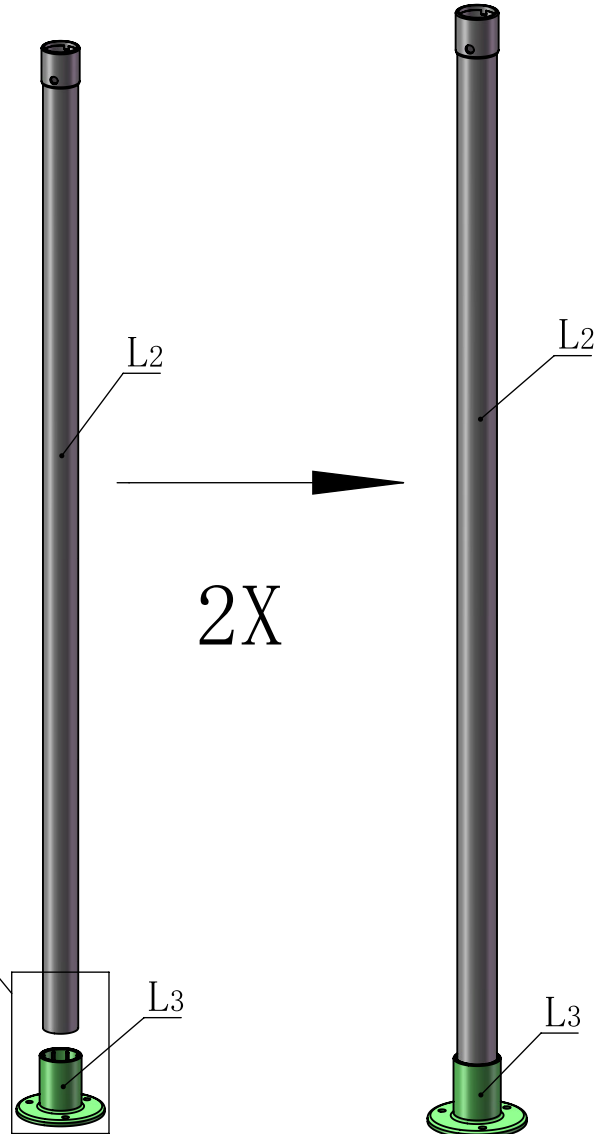
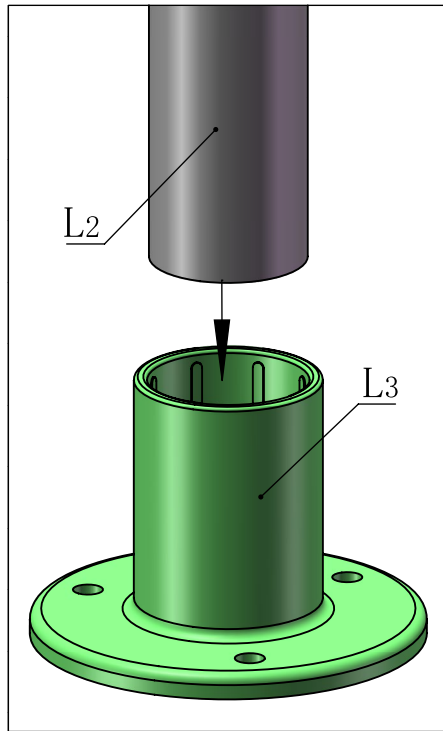


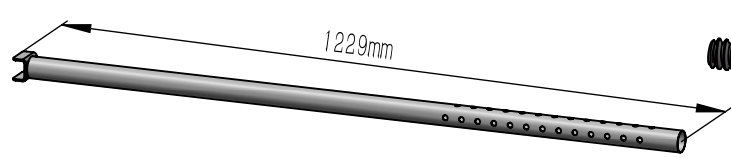


L2 2X

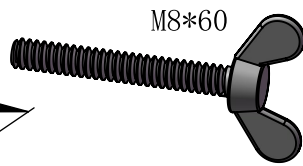


L3 2X

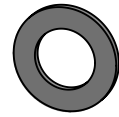




L1 2X



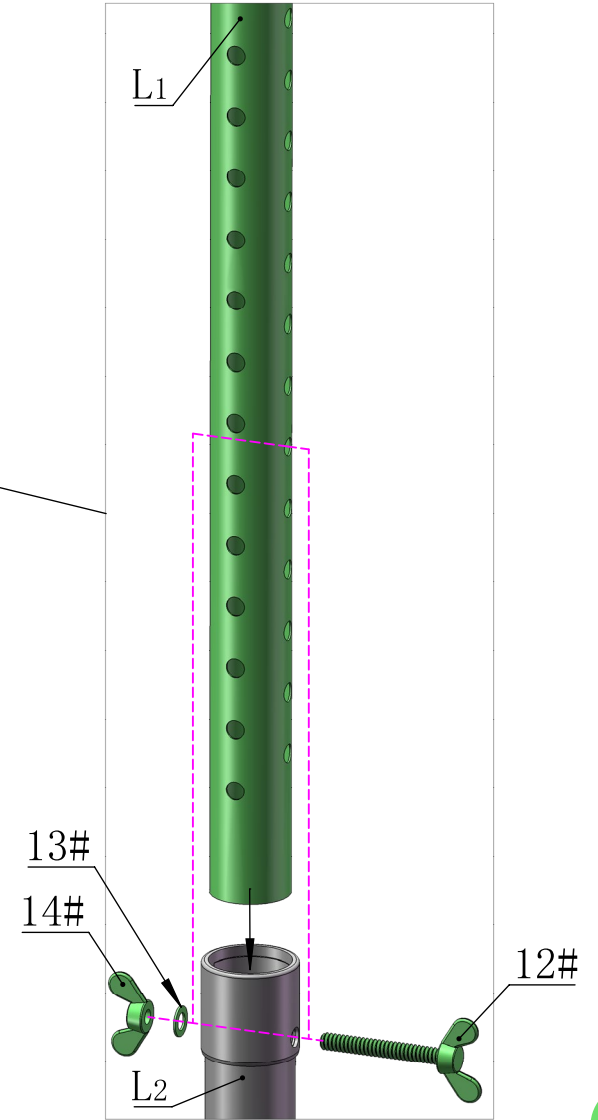
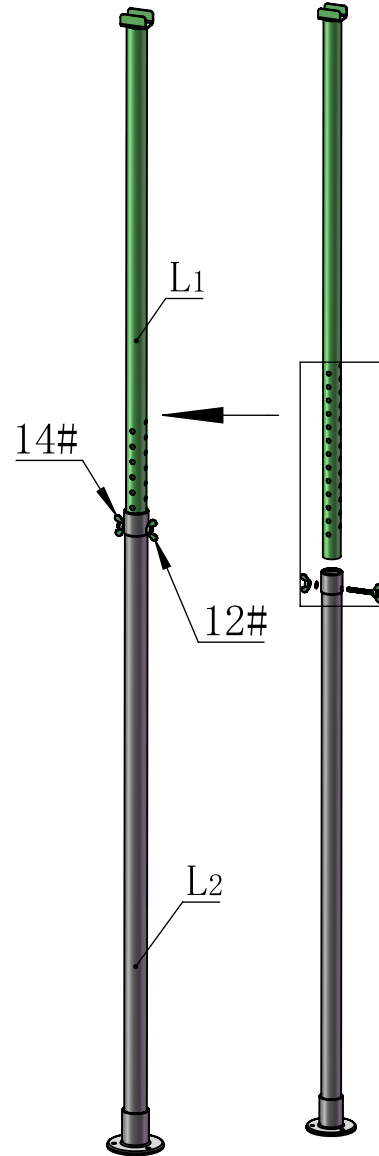
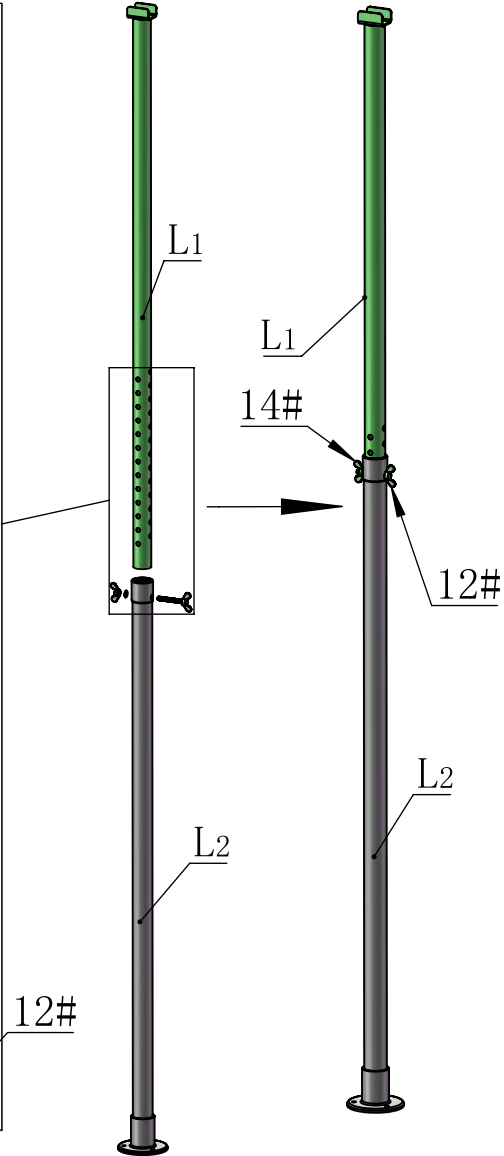
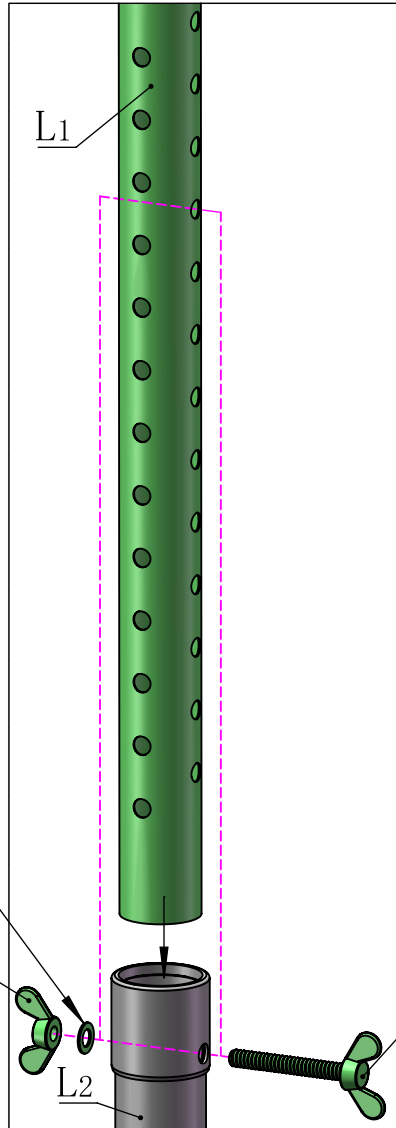
12# 2X



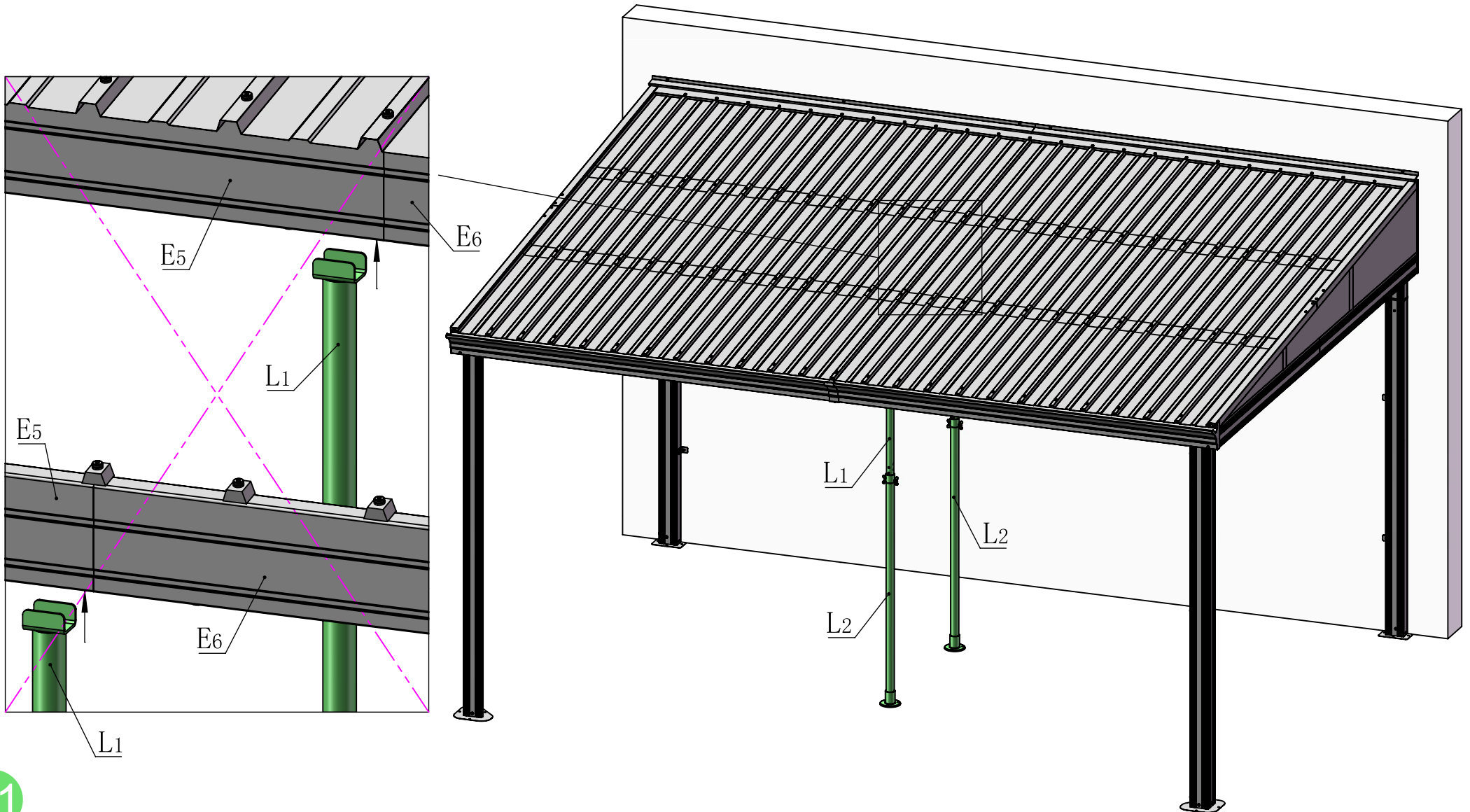
13# 2X

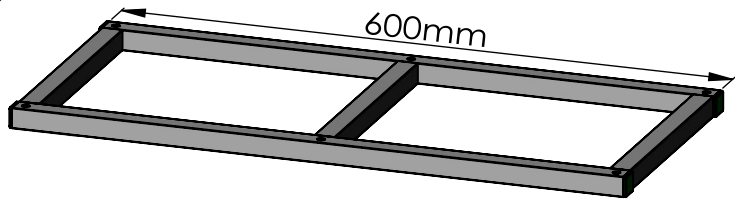


14# 2X

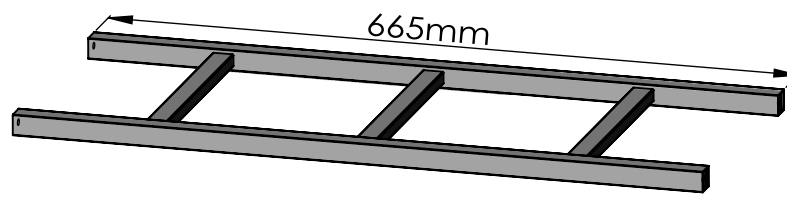


⚠ The two support tubes can strengthen the weight capacity of the metal roof. In bad weather, especially snowstorm, they are essentially needed to prevent the roof from collapsing under heavy snow. In daily life, you can put them away.





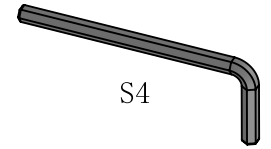
M1 6X



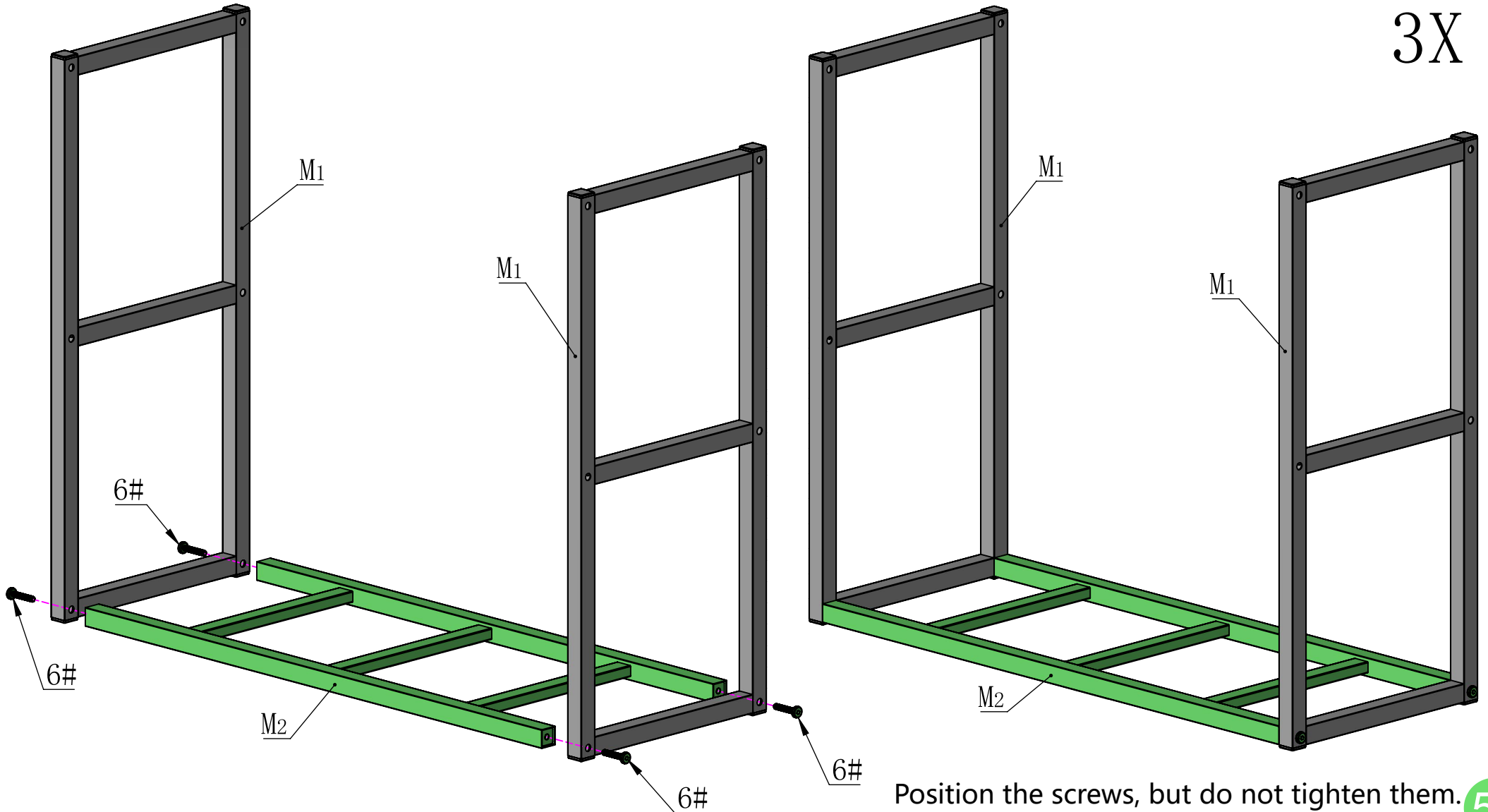
M2 3X

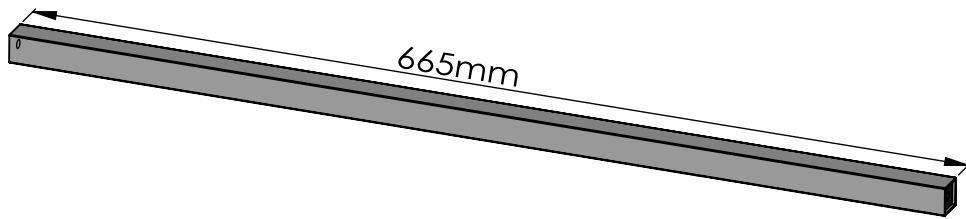


6# 12X

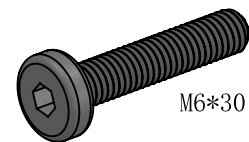


16# 1X

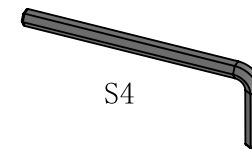




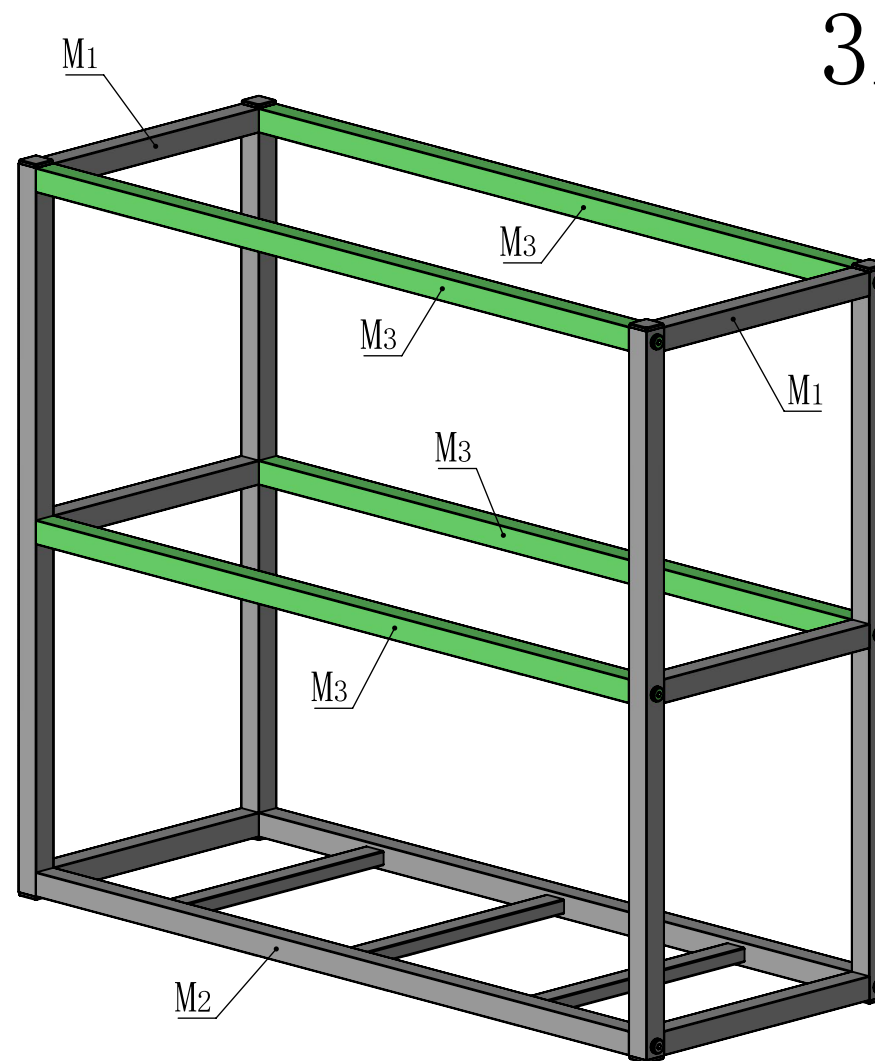
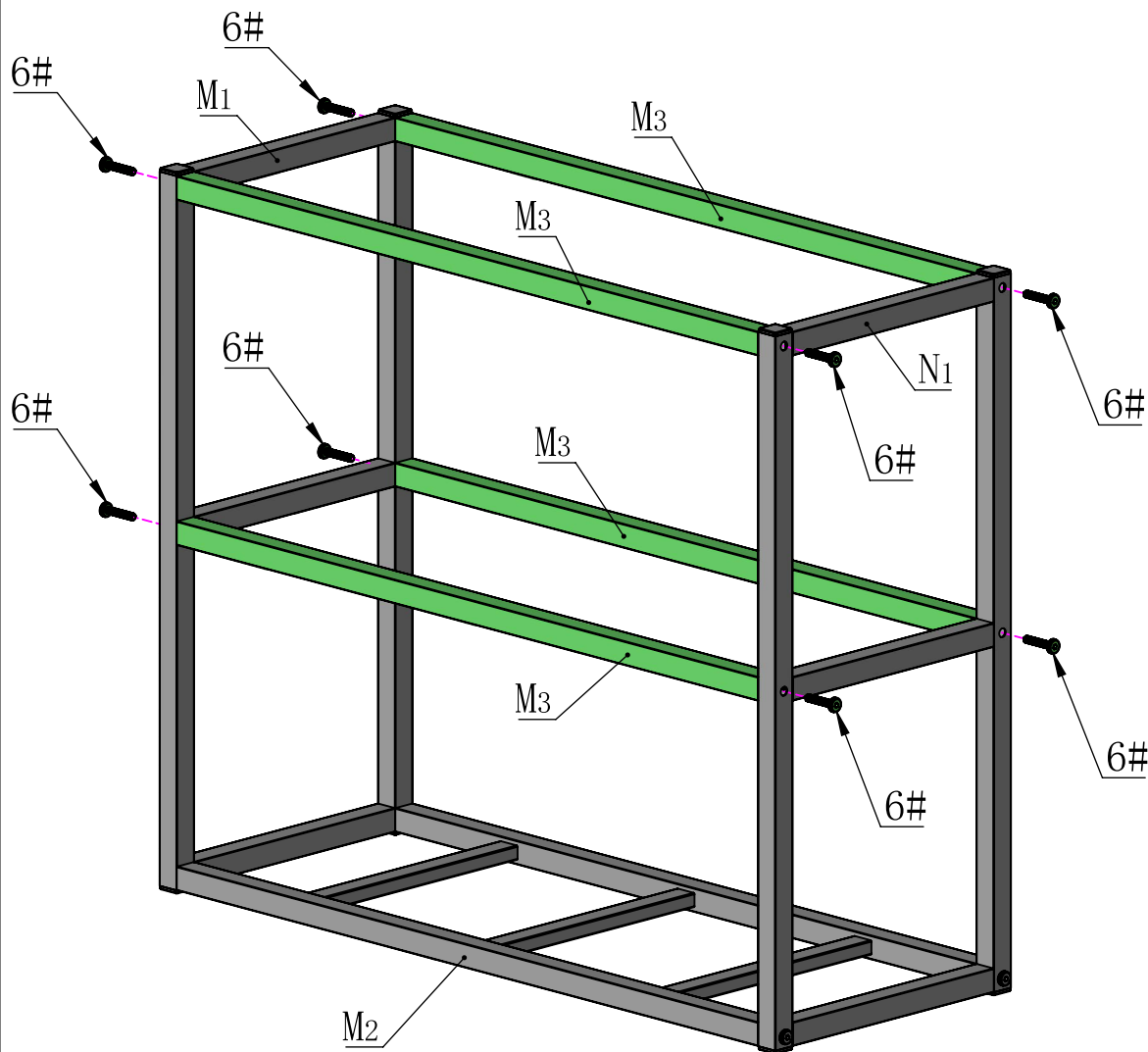
M3 12X



6# 24X

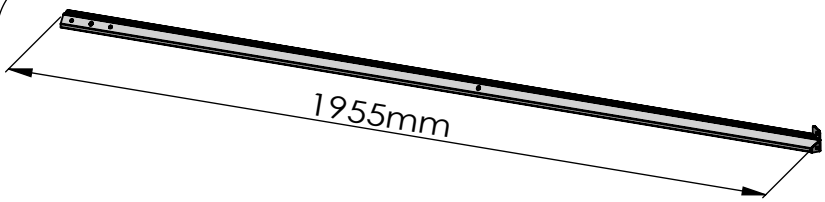


16# 1X

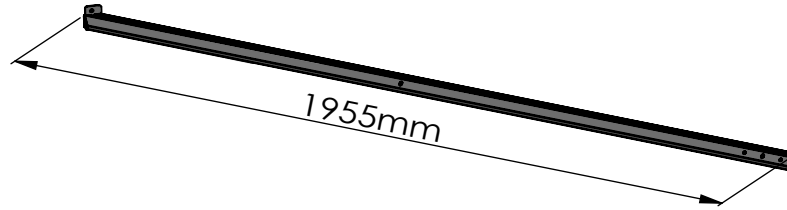


3X

Tighten all screws after they are positioned.



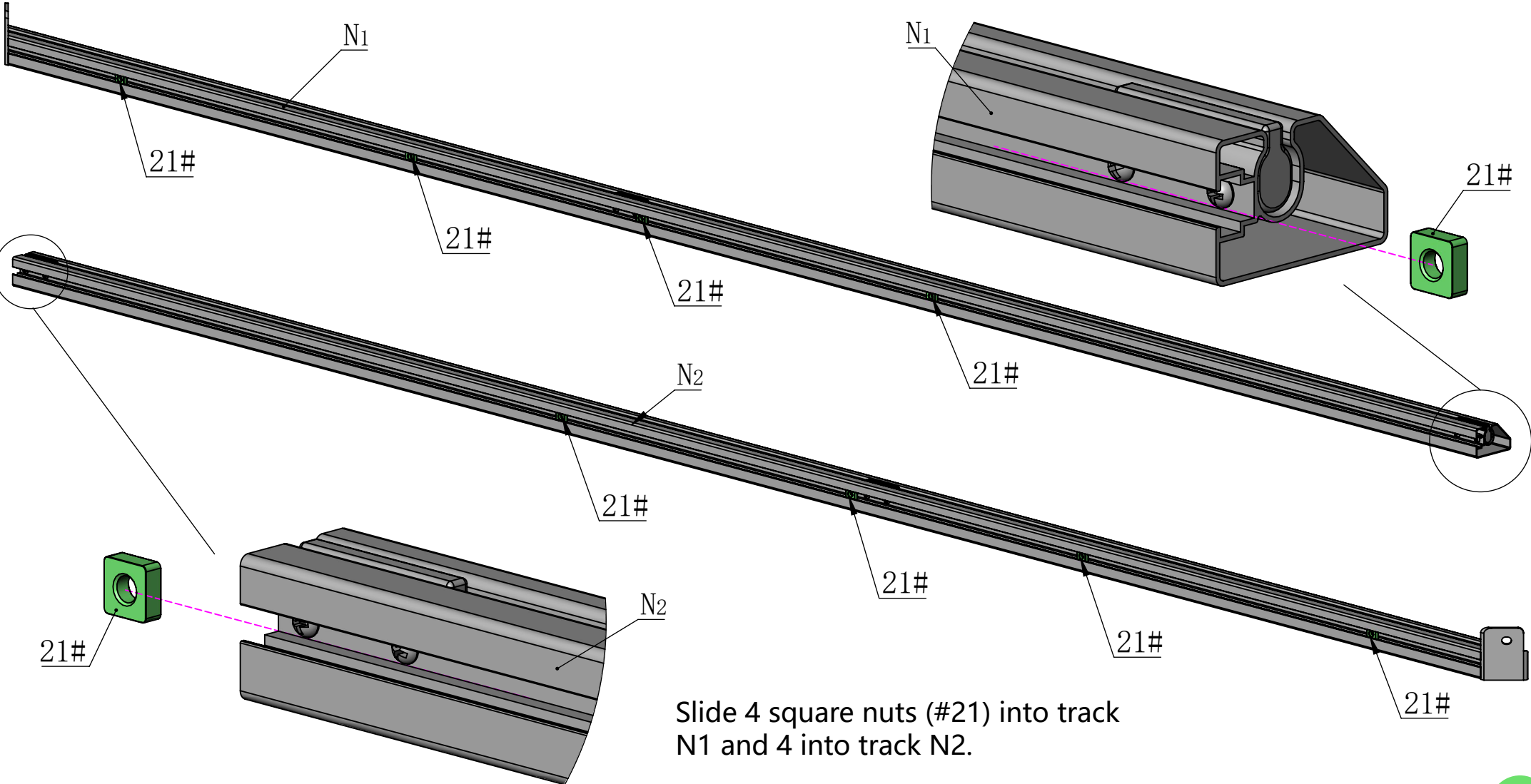
N1 1X



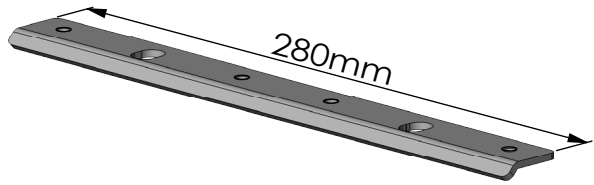
N2 1X



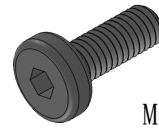
21# 8X



Slide 4 square nuts (#21) into track N1 and 4 into track N2.

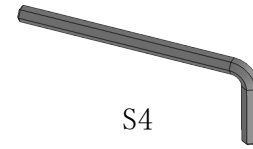


N3 1X



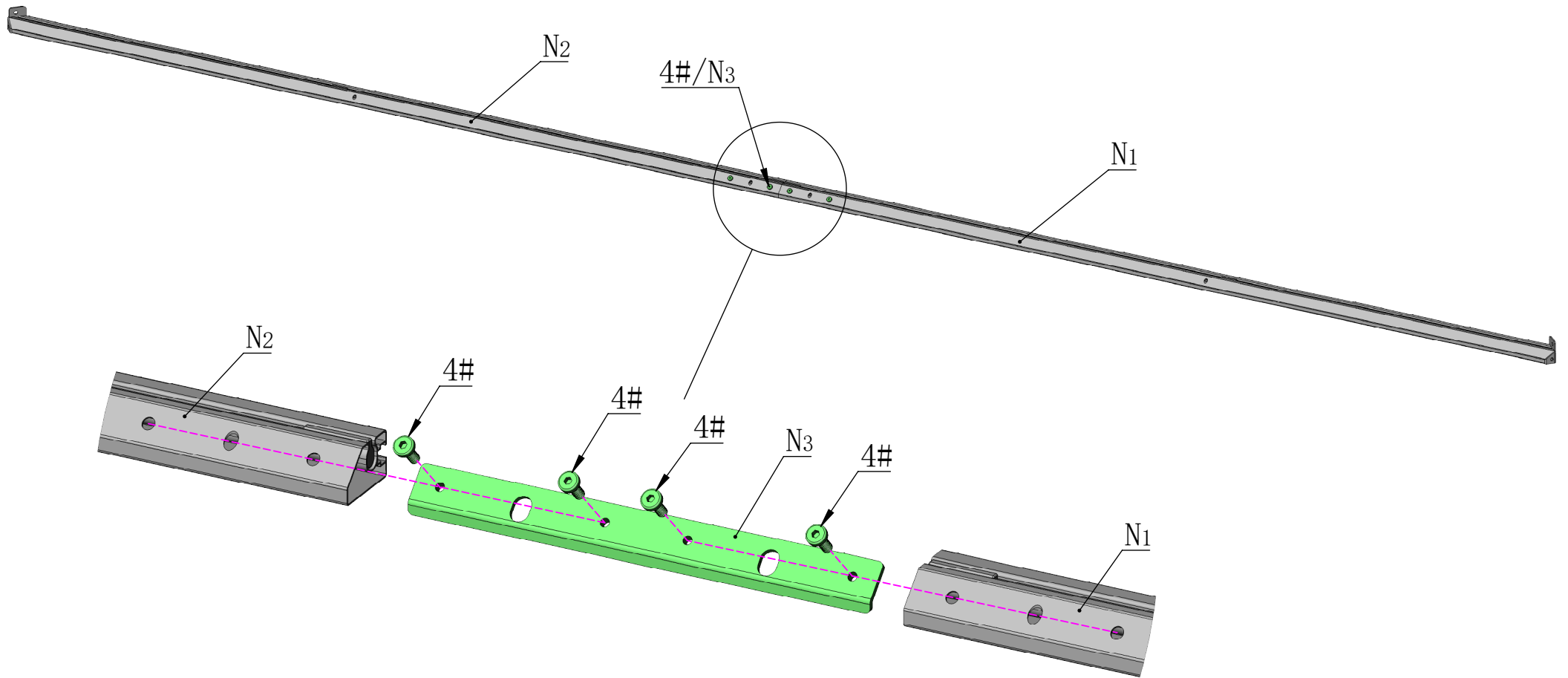
M6*16

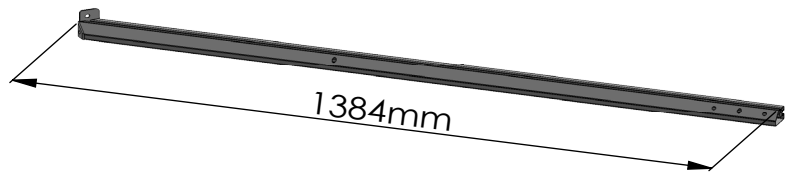
4# 4X



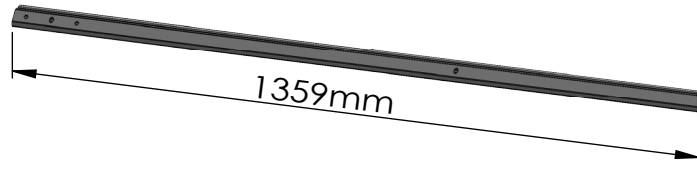
S4

23# 1X





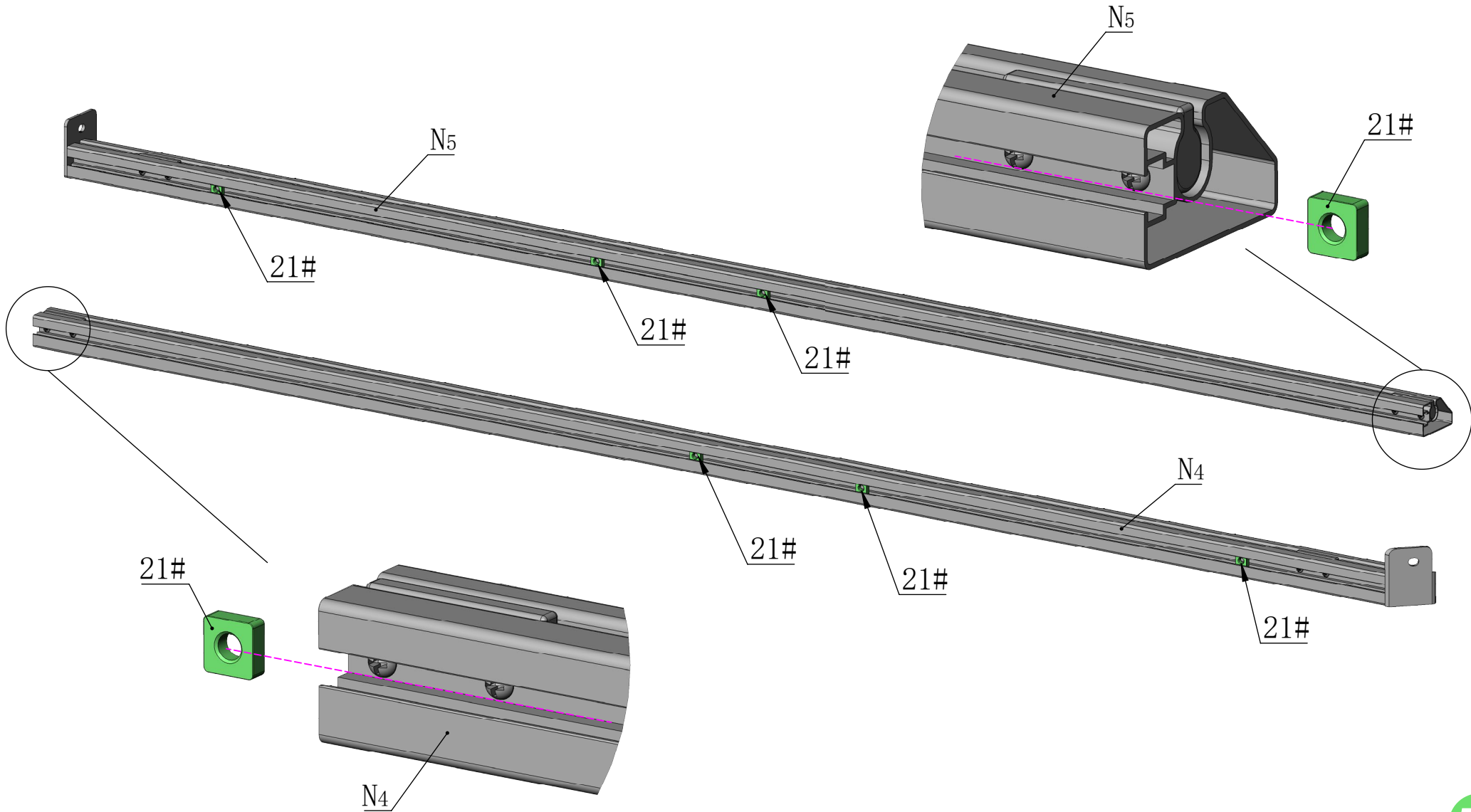
N4 1X

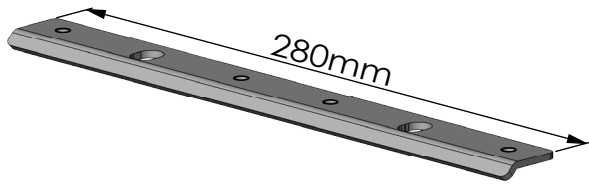


N5 1X



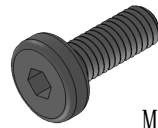
21# 6X





N3

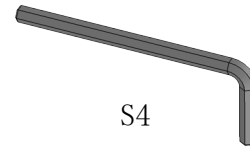
1X



M6*16

4#

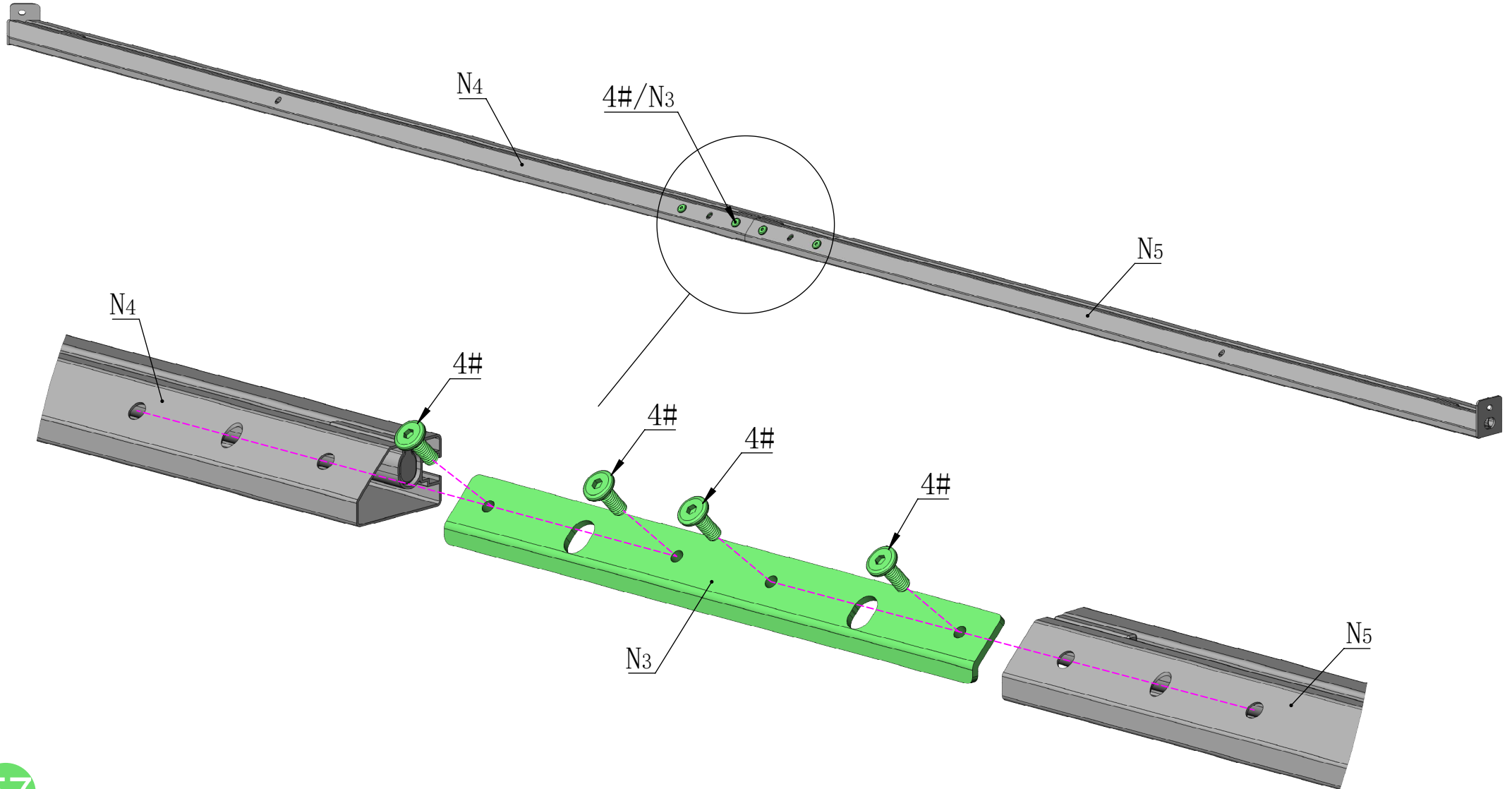
4X

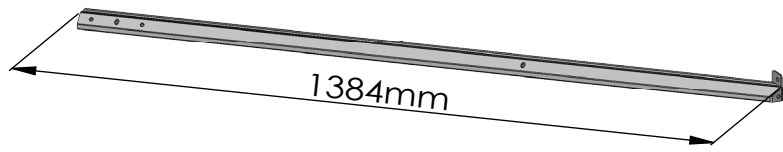


S4

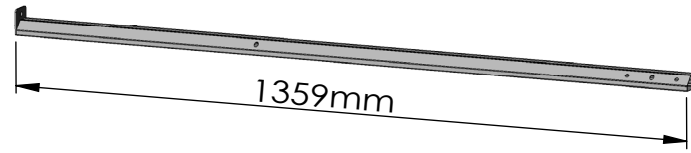
23#

1X





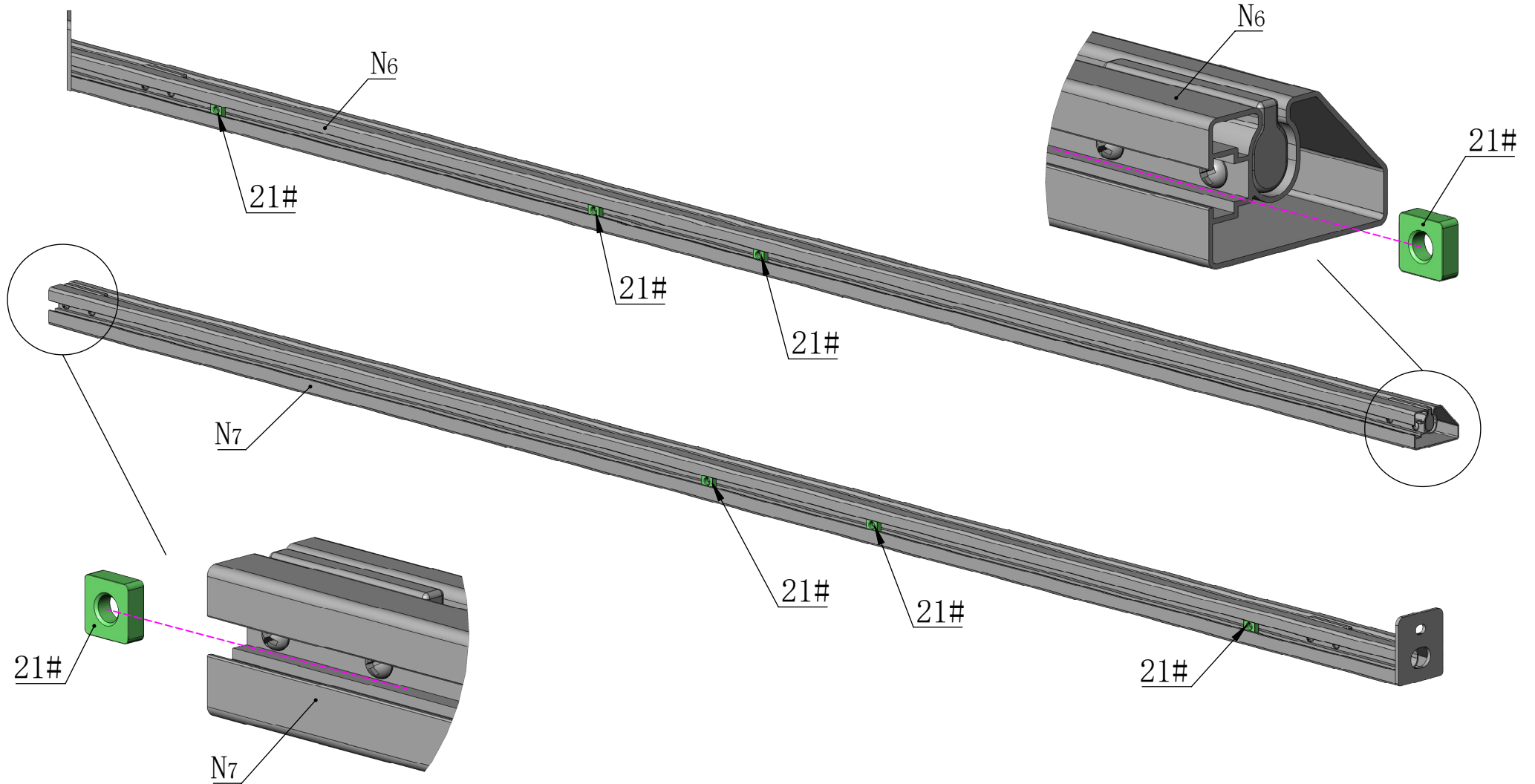
N6 1X

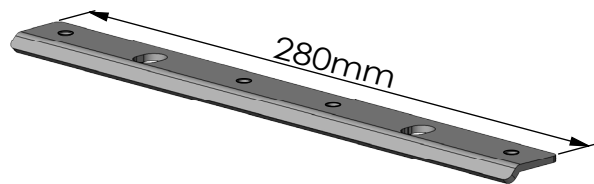


N7 1X

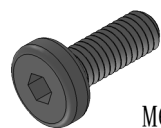


21# 6X



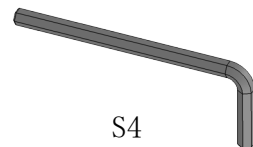


N3 1X



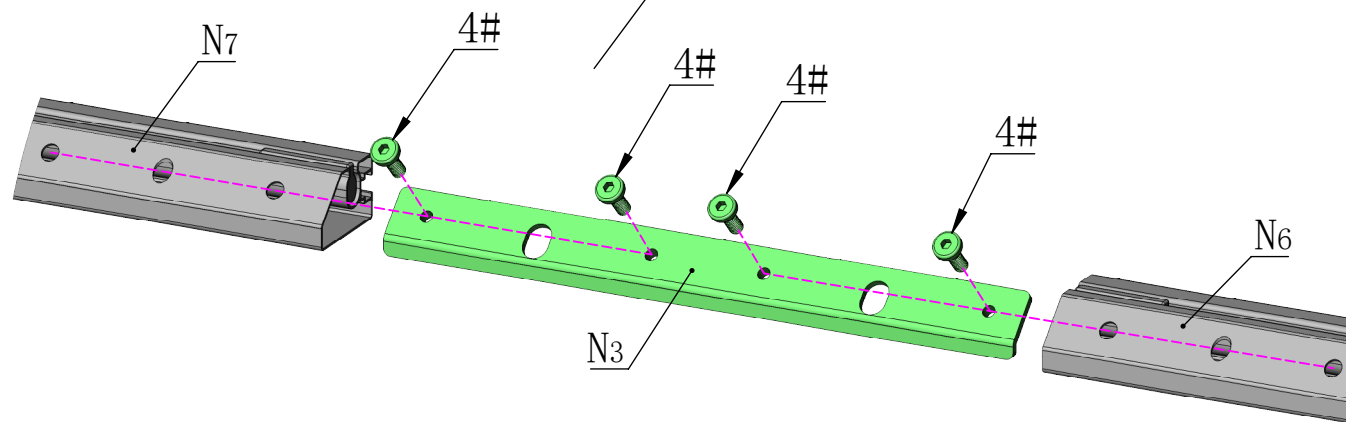
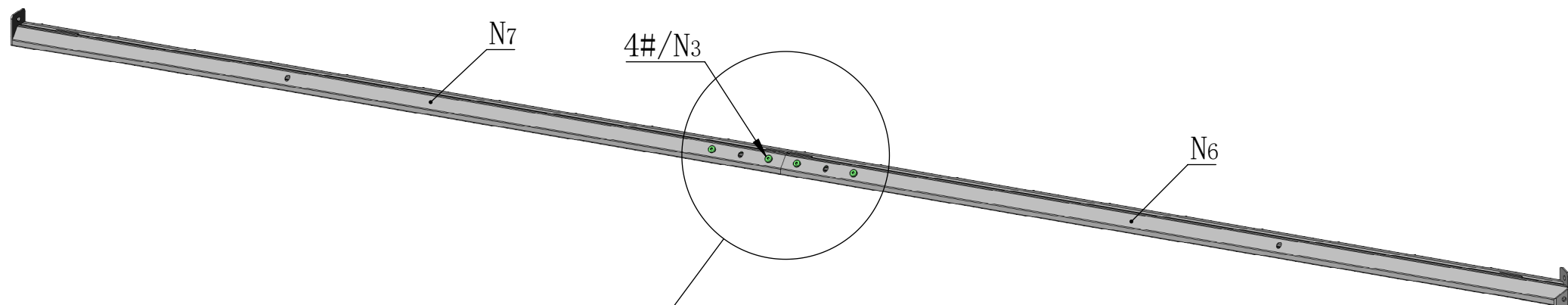
M6*16

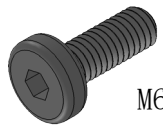
4# 4X



S4

23# 1X

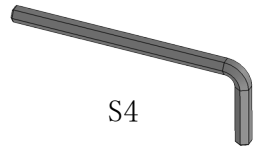




M6*16

4#

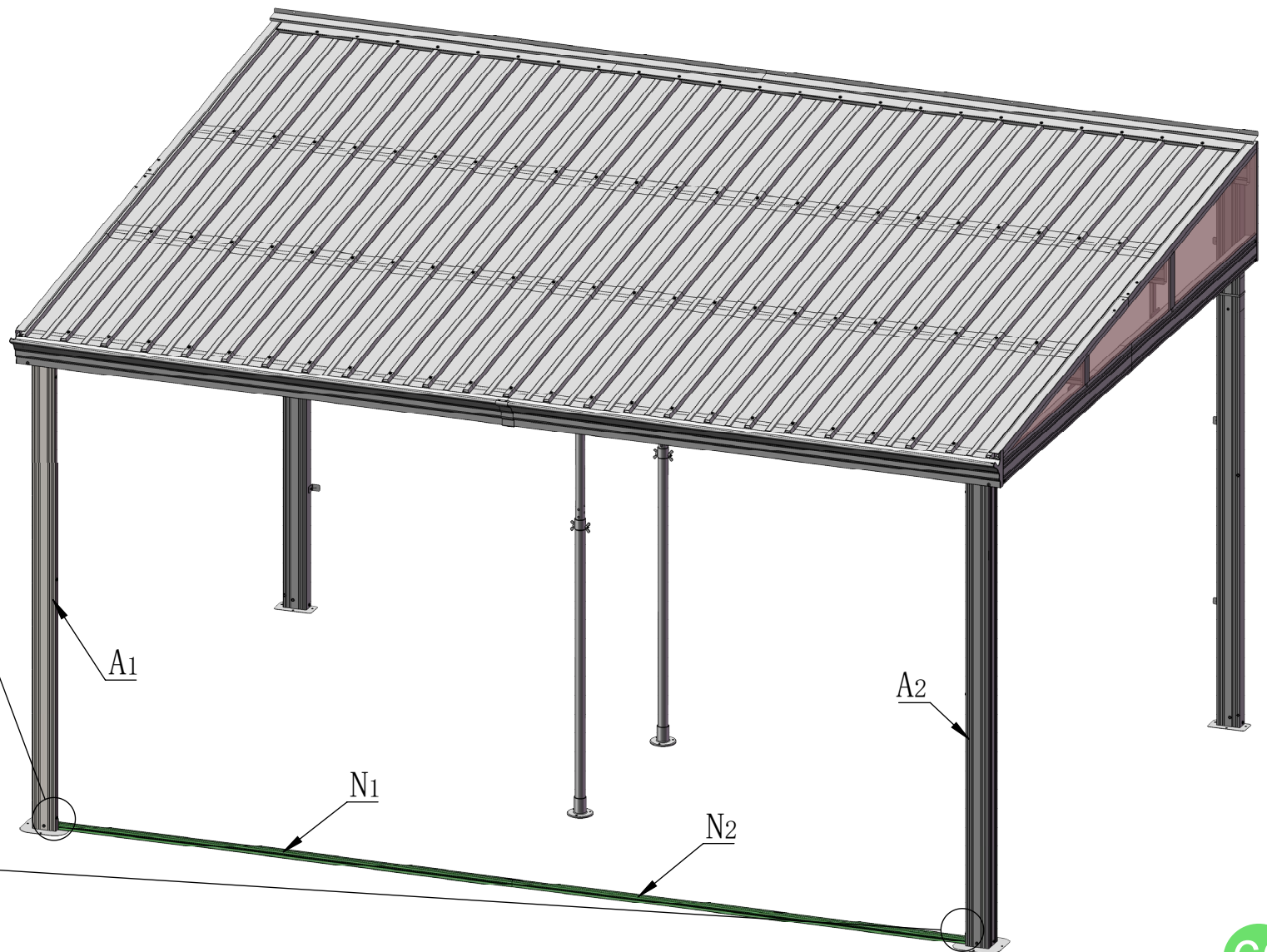
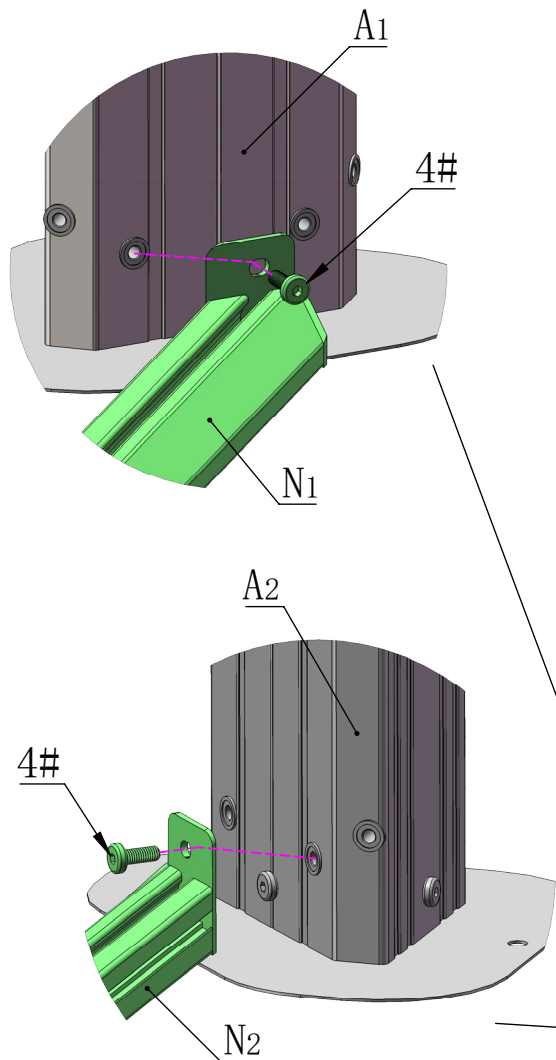
2X

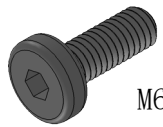


S4

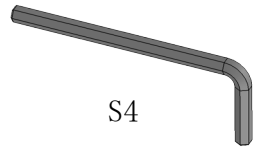
23#

1X





M6*16



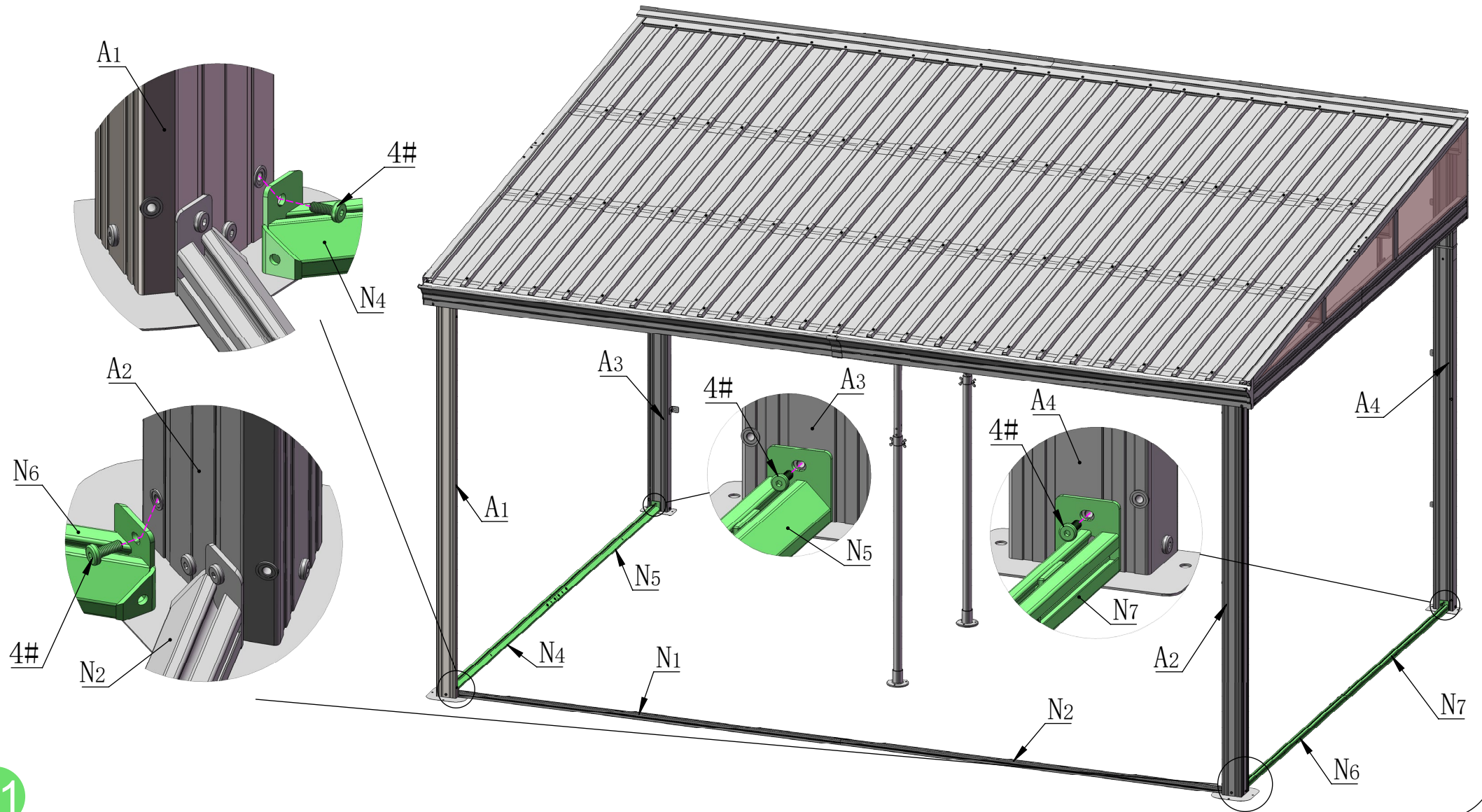
S4

4#

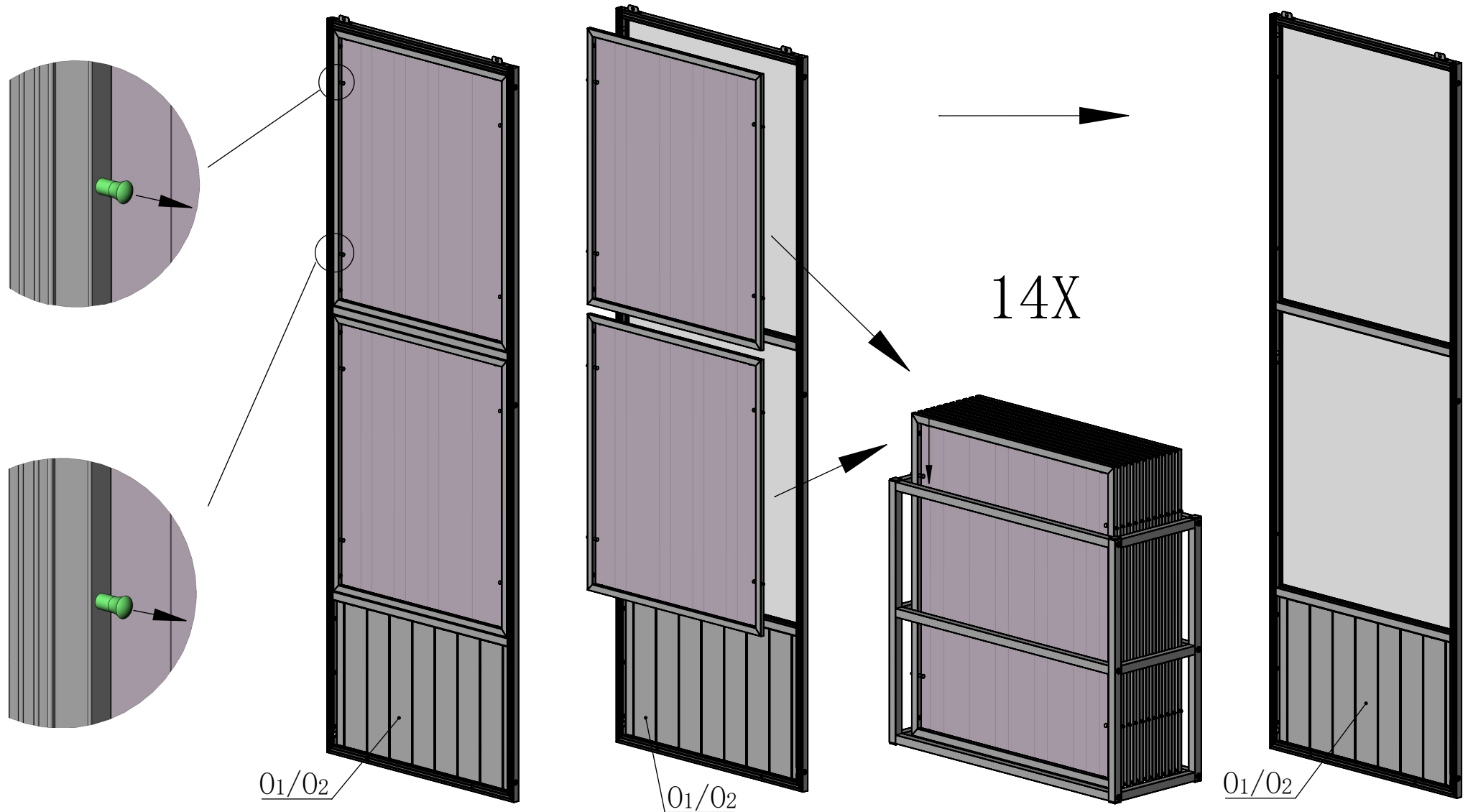
4X

23#

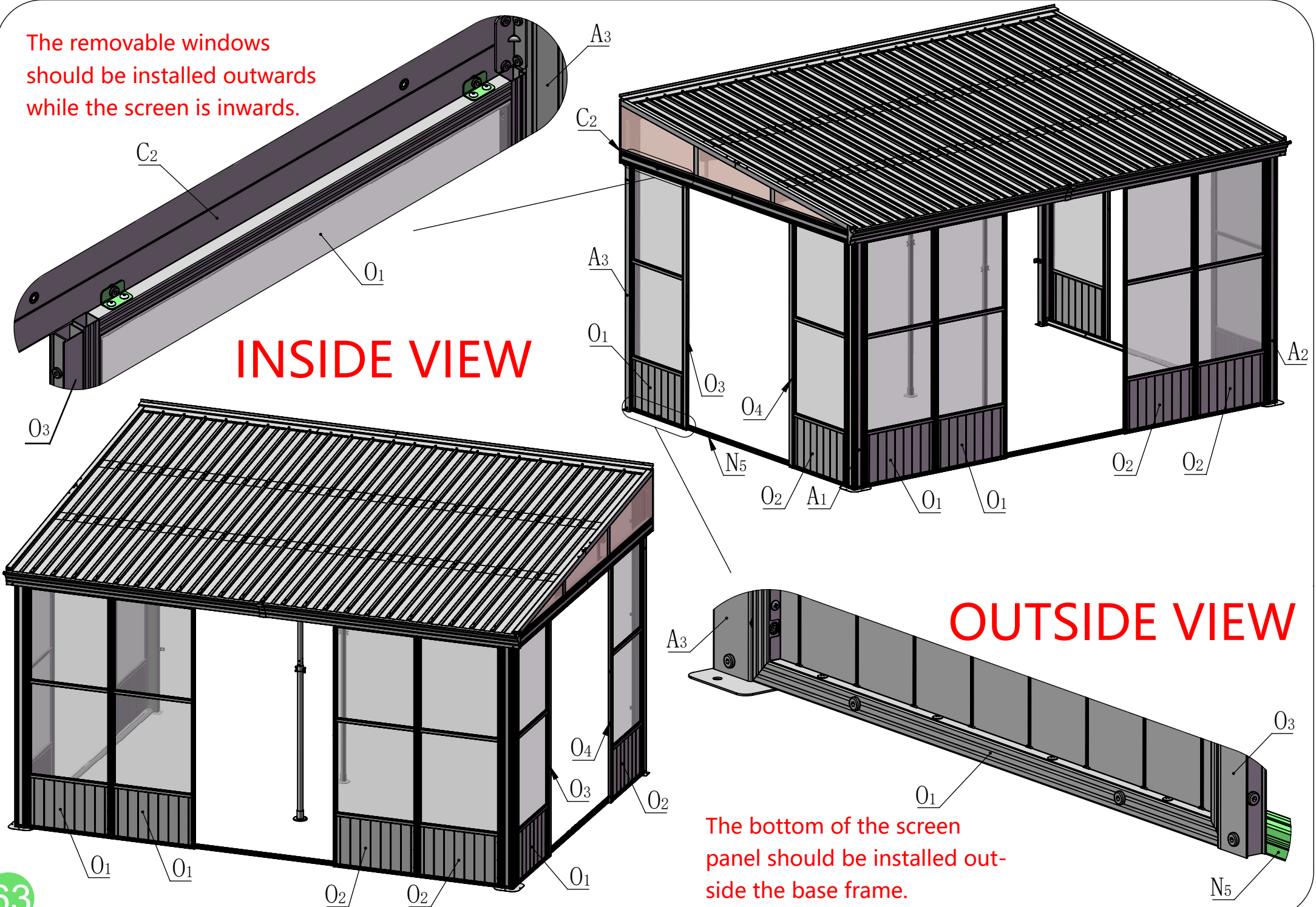
1X



Please remove the window screens BEFORE assembling the wall panel.



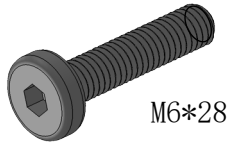
The removable windows should be installed outwards while the screen is inwards.



INSIDE VIEW

OUTSIDE VIEW

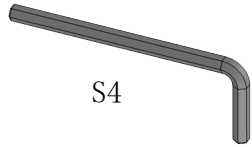
The bottom of the screen panel should be installed outside the base frame.



M6*28

5#

2X

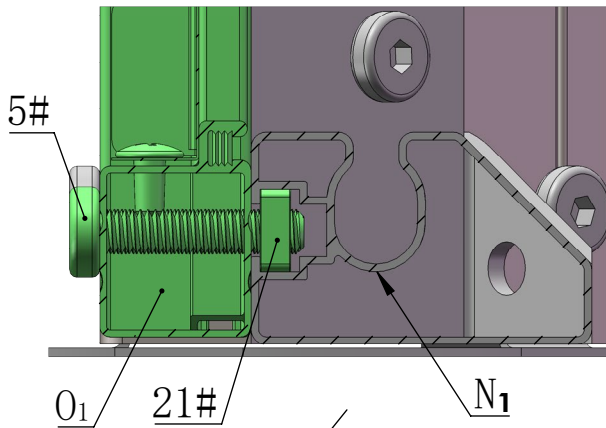


S4

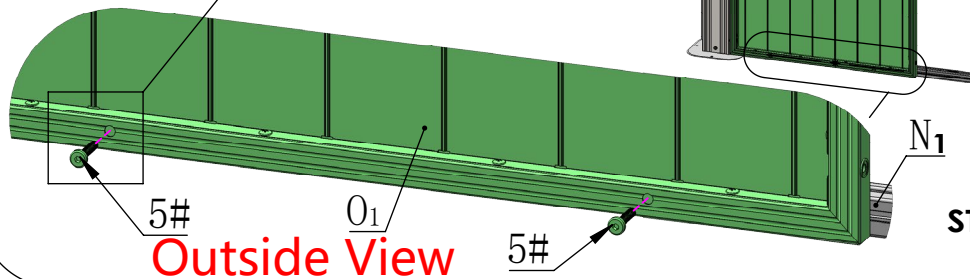
23#

1X

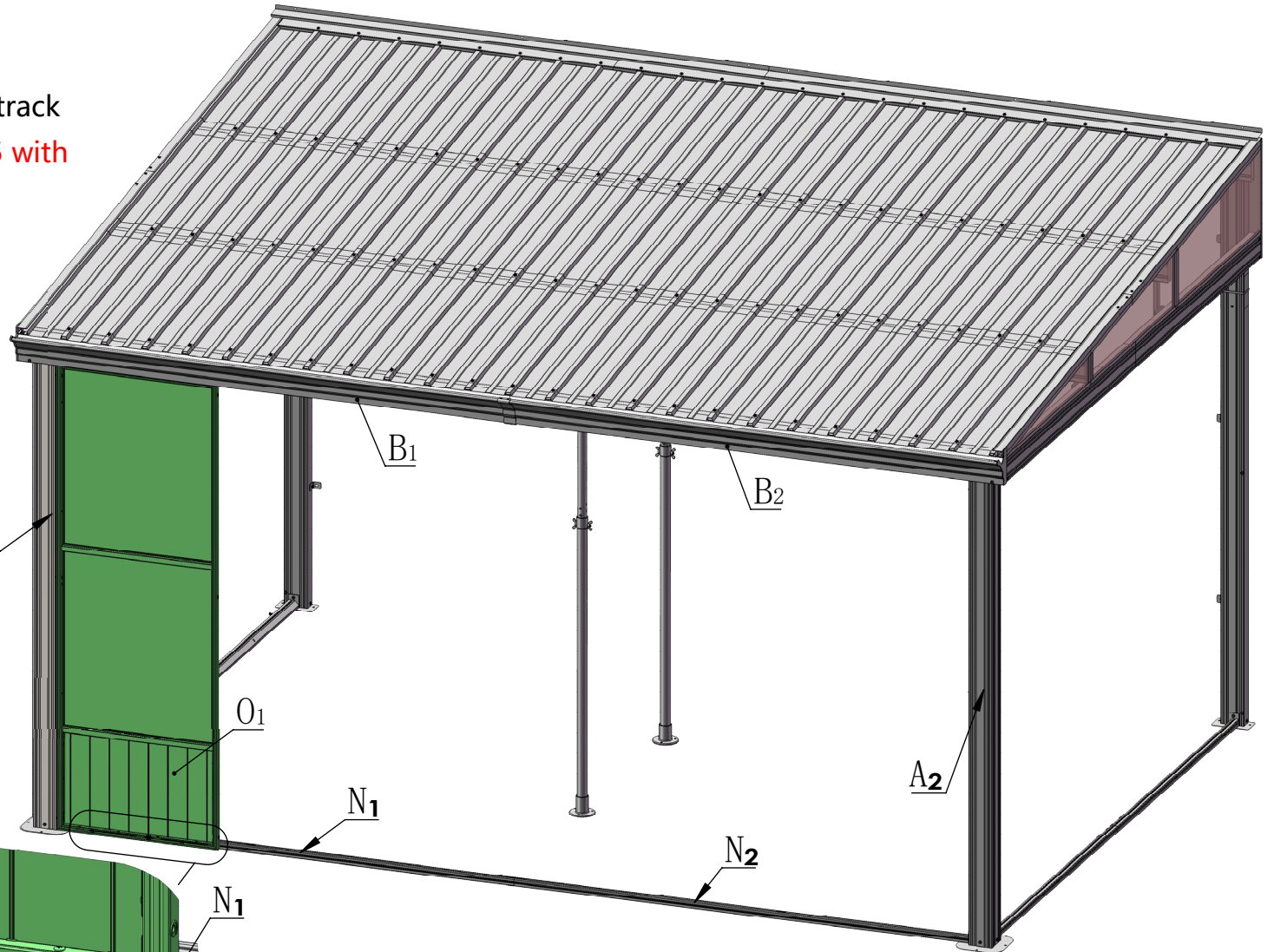
Use 2 bolts #5 to secure the wall panel to track #N1, correspond and position the bolts #5 with the square nuts #21 inside the track.



Section View

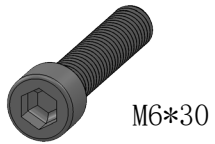


Outside View



STEP1

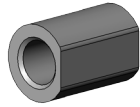
Note: Assemble according to the sequence of steps. Tighten each screen after all screws are positioned (Align the holes, tighten bolts #5 to metal square nuts #21 first.)



M6*30

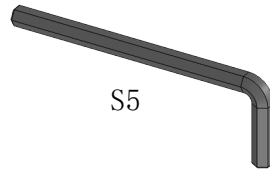
16#

3X



17#

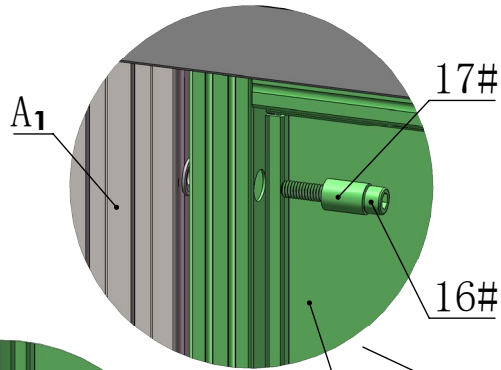
3X



S5

24#

1X

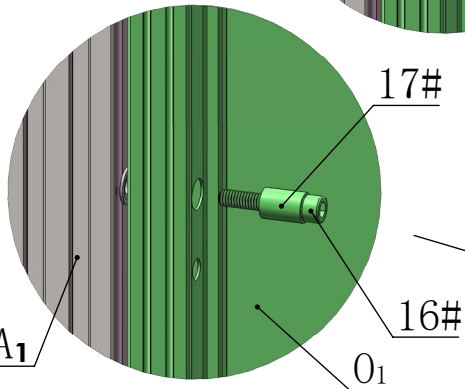


A₁

17#

16#

O₁

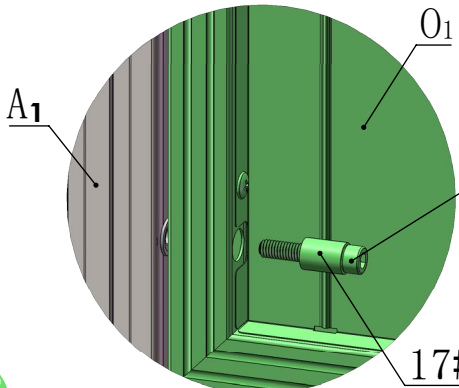


17#

16#

O₁

A₁

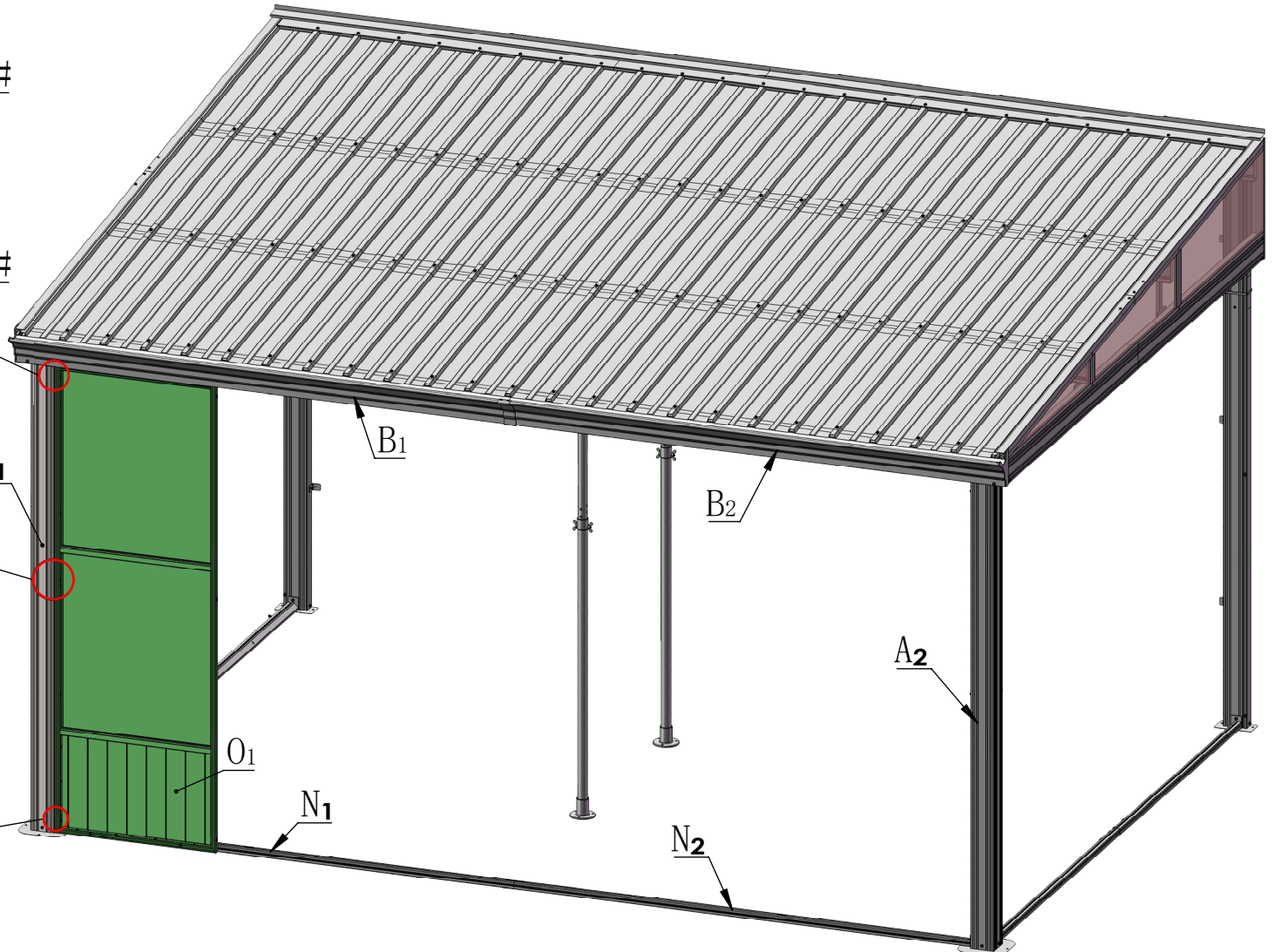


A₁

O₁

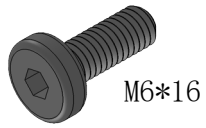
16#

17#



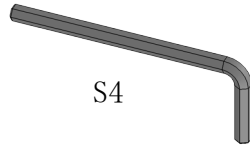
STEP2

Note: Assemble according to the sequence of steps. Tighten each screen after all screws are positioned. (Align the holes, tighten bolts 5 # to metal square nuts #21 first.)



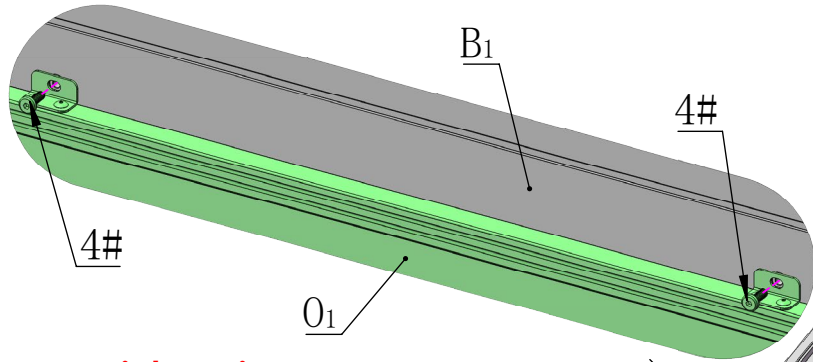
4#

2X



23#

1X

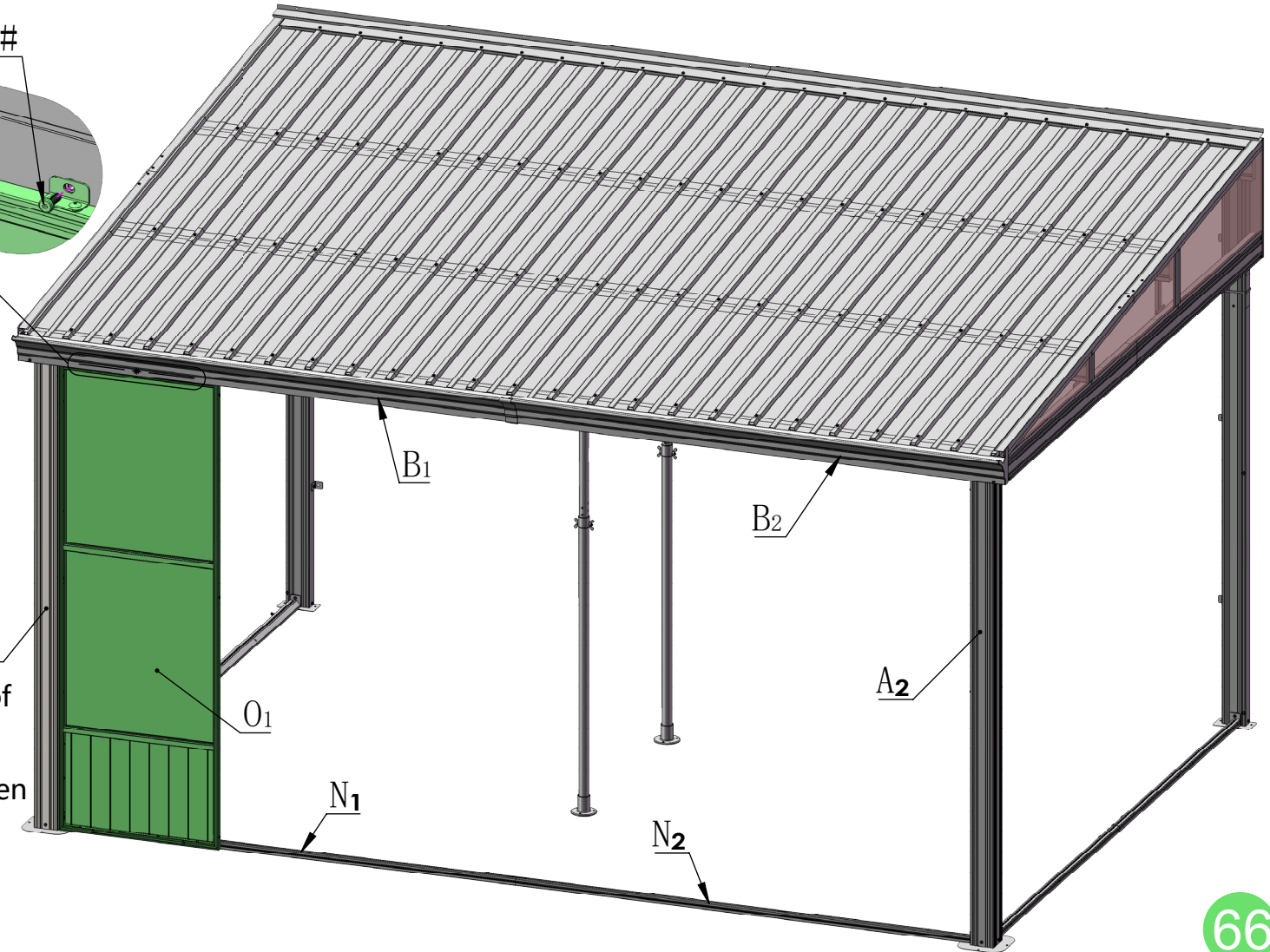


Inside View

The removable windows should be installed outwards while the screen is inwards.

STEP3

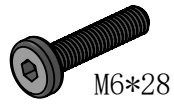
Note: Assemble according to the sequence of steps. Tighten each screen after all screws are positioned. (Align the holes, tighten bolts 5 # to metal square nuts #21 first.)





M6*16

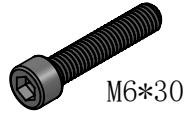
4#



M6*28

5#

2X



M6*30

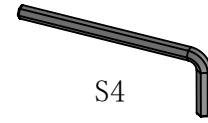
16#

3X



17#

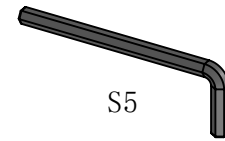
3X



S4

23#

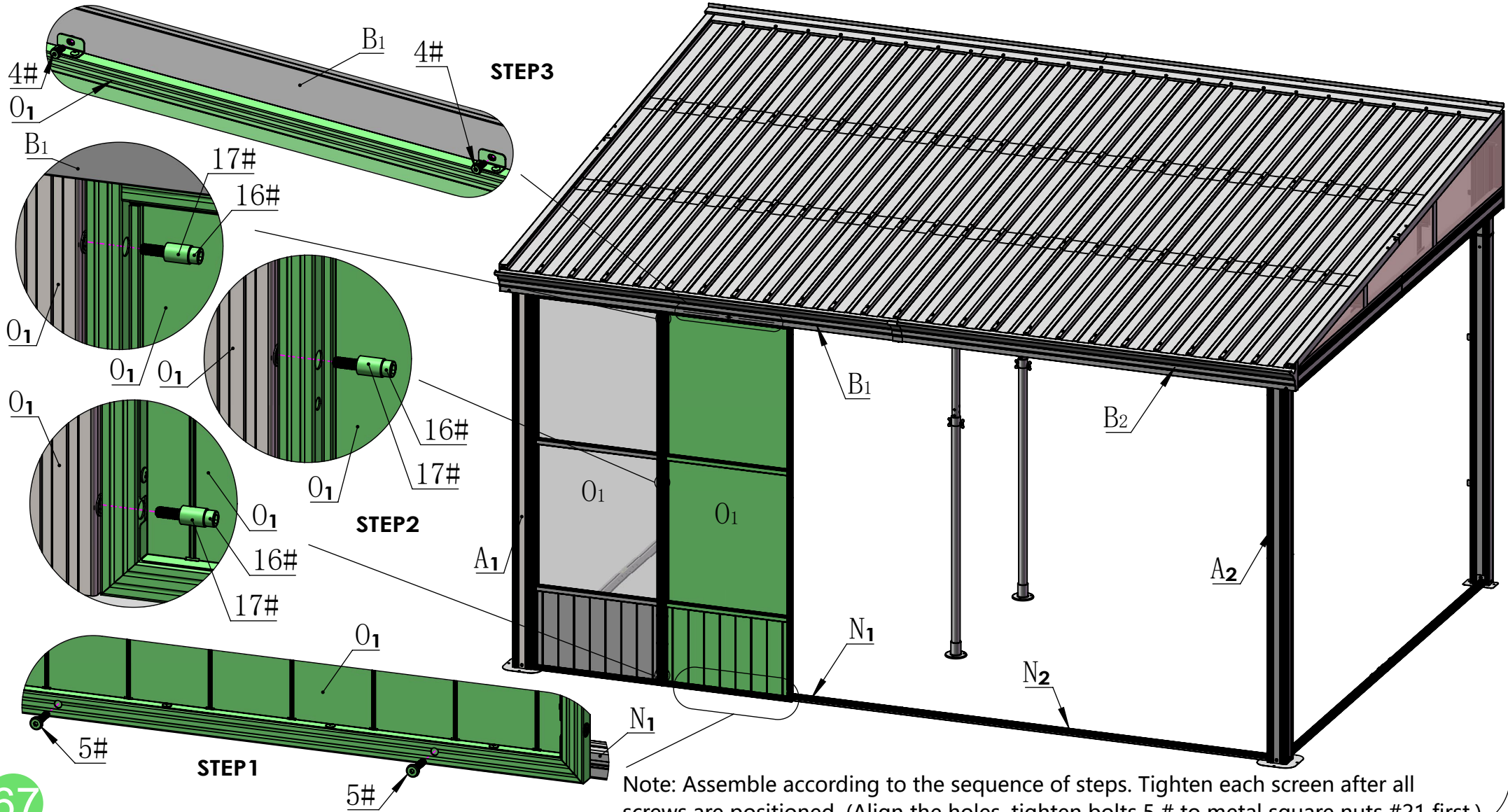
1



S5

24#

1



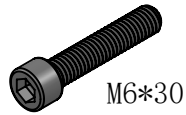
Note: Assemble according to the sequence of steps. Tighten each screen after all screws are positioned. (Align the holes, tighten bolts 5 # to metal square nuts #21 first.)



M6*16



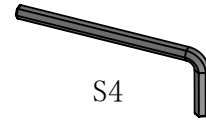
M6*28



M6*30

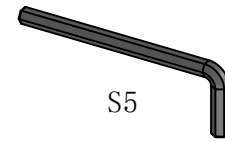


17# 3X



S4

23# 1



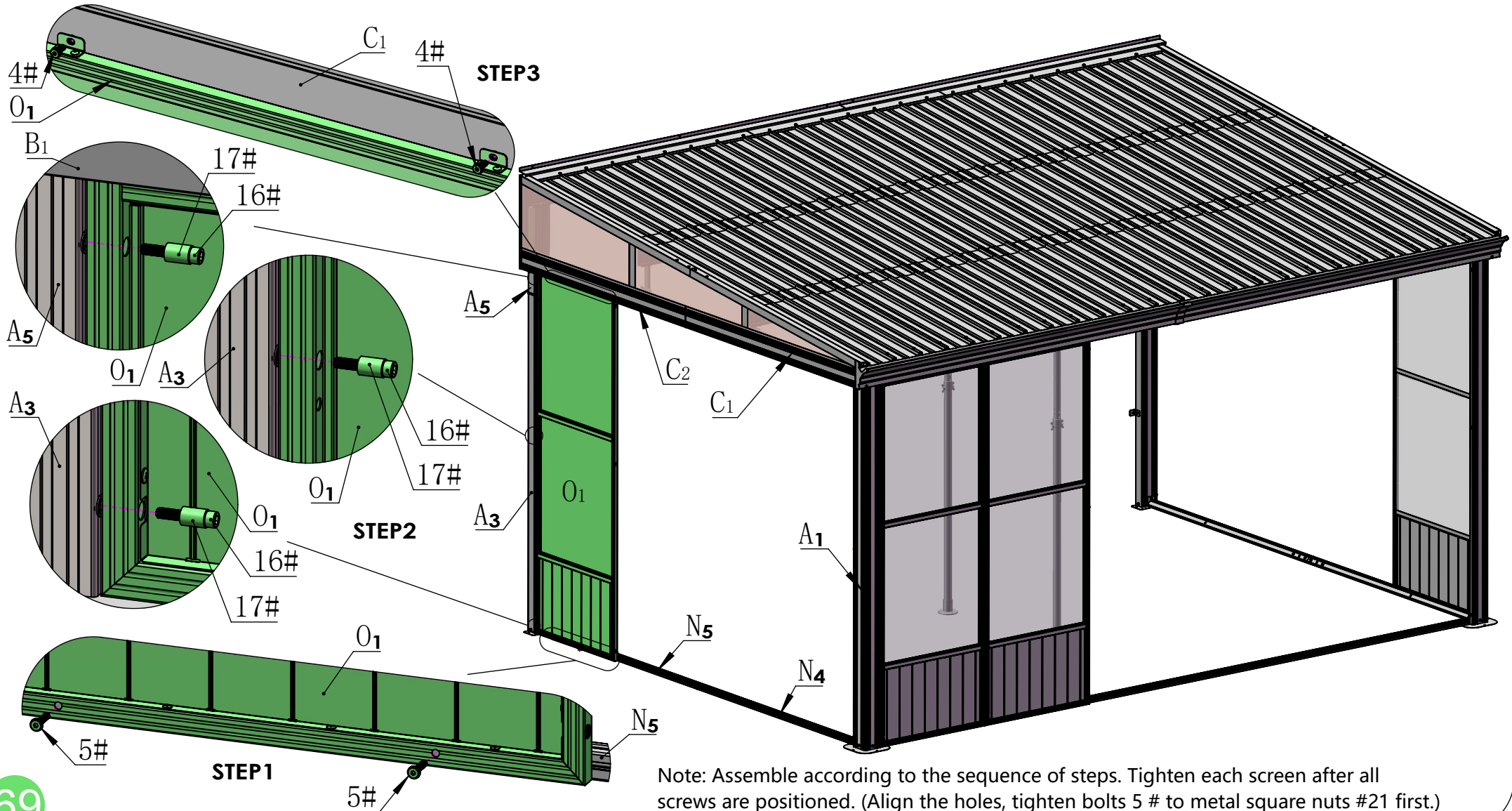
S5

24# 1

4# 2X

5# 2X

16# 3X

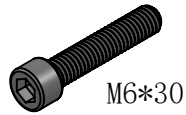




M6*16



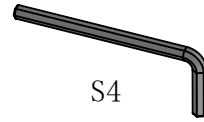
M6*28



M6*30

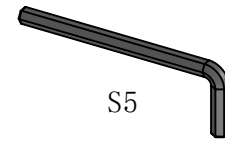


17# 6X



S4

23# 1



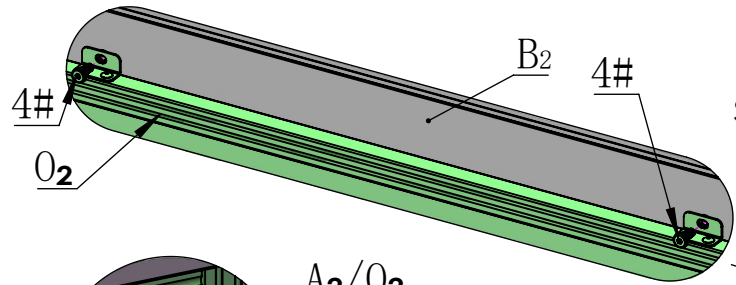
S5

24# 1

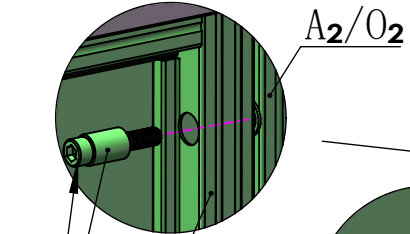
4# 4X

5# 4X

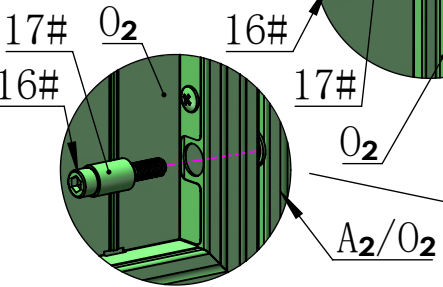
16# 6X



STEP 3

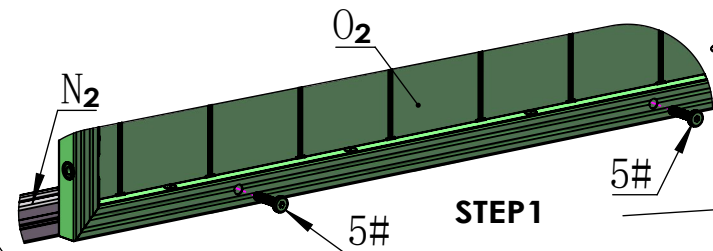


16#
17#

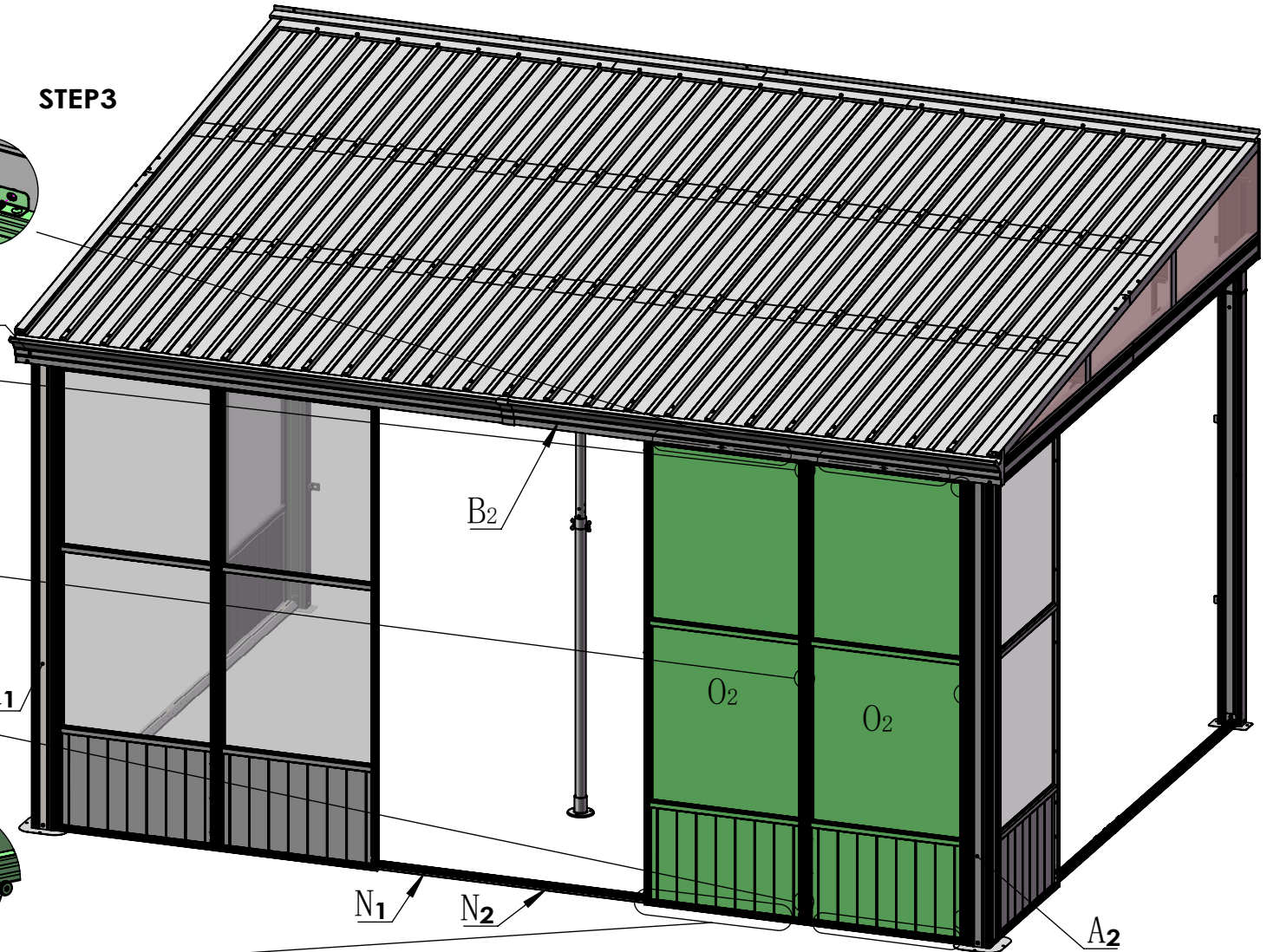


17#
16#

STEP 2



STEP 1



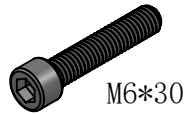
Note: Assemble according to the sequence of steps. Tighten each screen after all screws are positioned. (Align the holes, tighten bolts 5 # to metal square nuts #21 first.)



M6*16



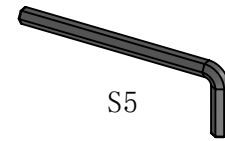
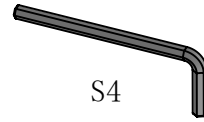
M6*28



M6*30



S4



S5

4#

2X

5#

2X

16#

3X

17#

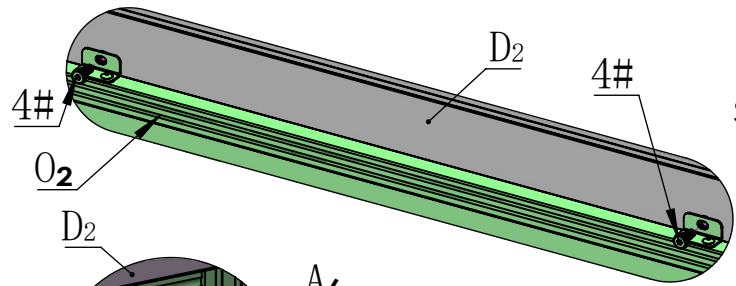
3X

23#

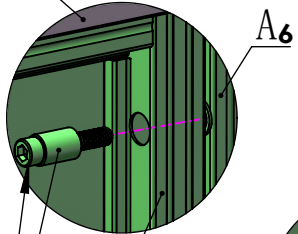
1

24#

1



STEP 3



16#
17#

O2

17#
16#

O2

16#

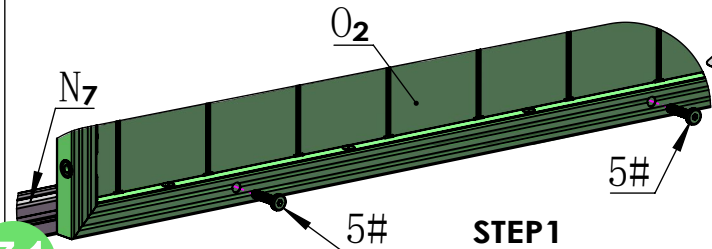
16#

17#

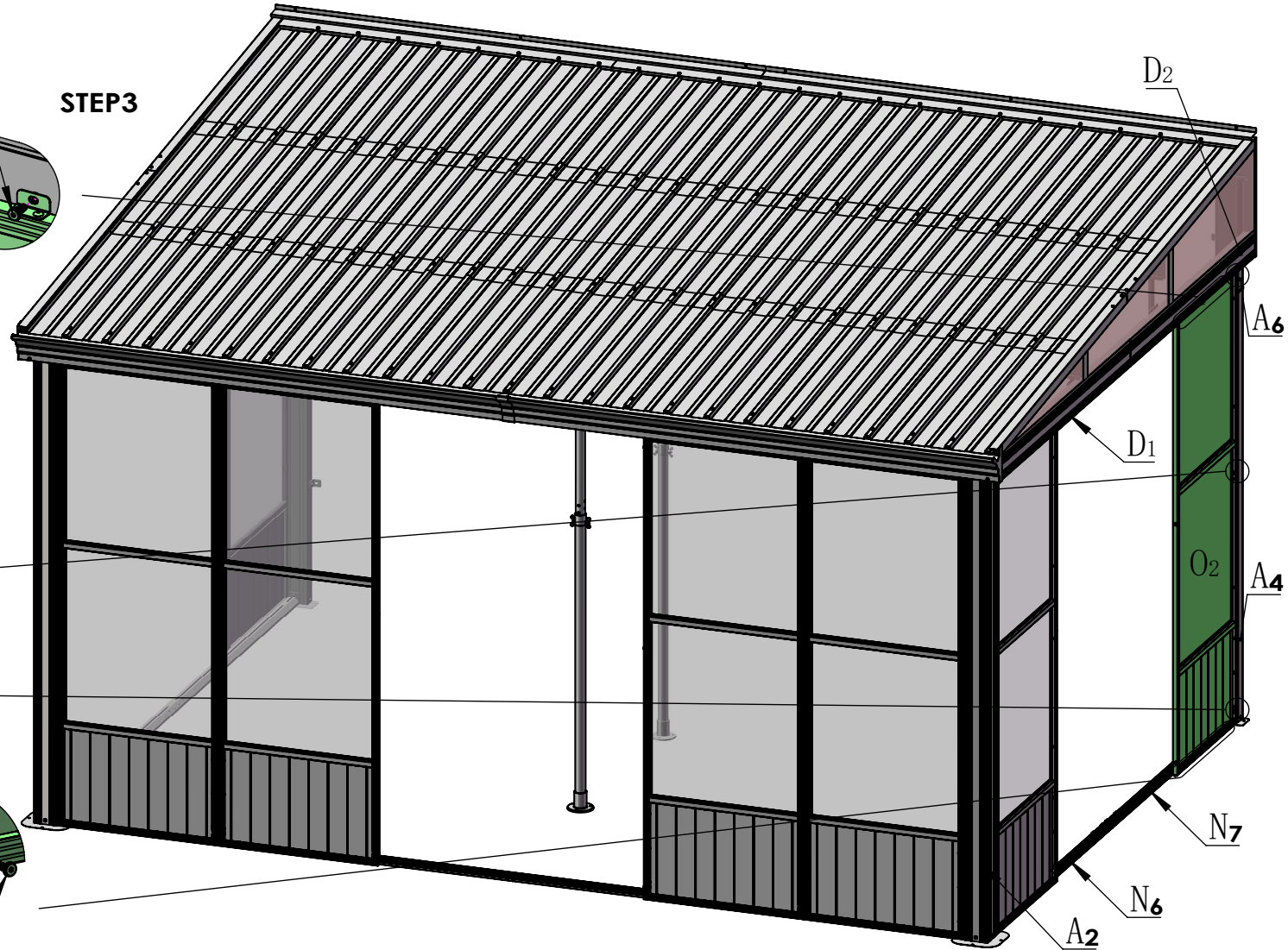
O2

STEP 2

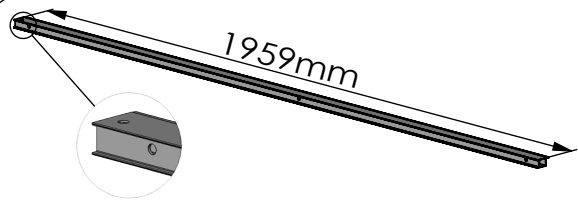
A4



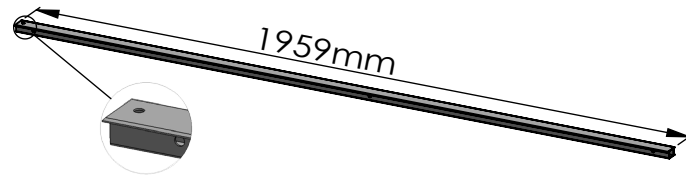
STEP 1



Note: Assemble according to the sequence of steps. Tighten each screen after all screws are positioned. (Align the holes, tighten bolts 5 # to metal square nuts #21 first.)



O₃ 1X



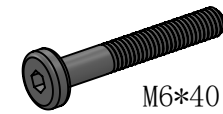
O₄ 1X



M6*28

5#

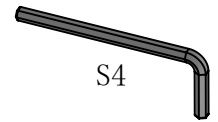
2X



M6*40

22#

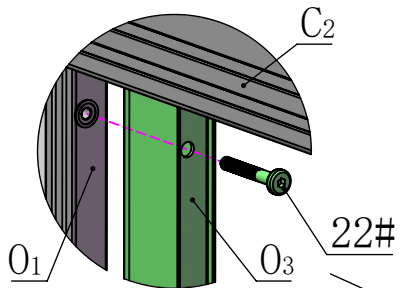
6X



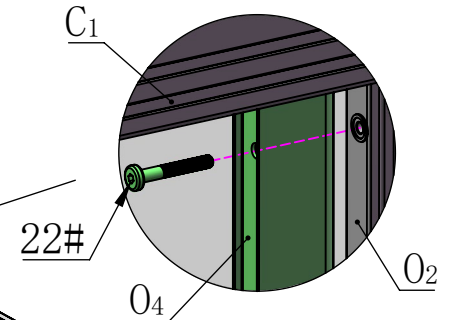
S4

23#

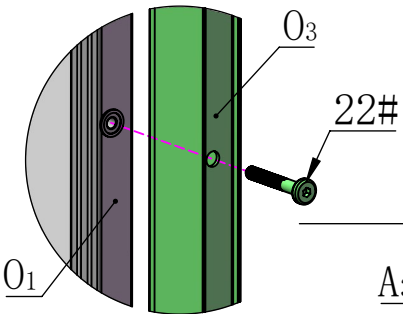
1X



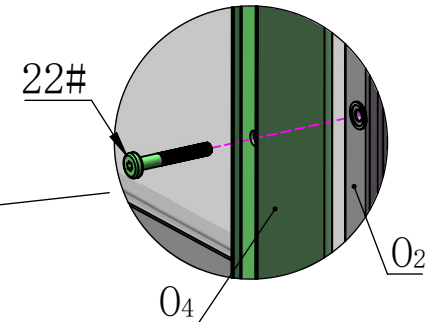
STEP3



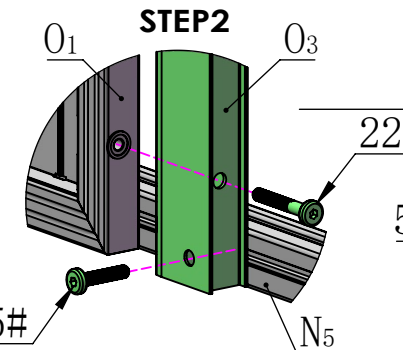
STEP3



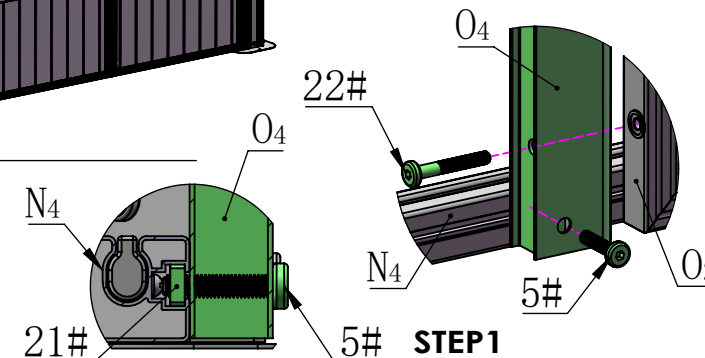
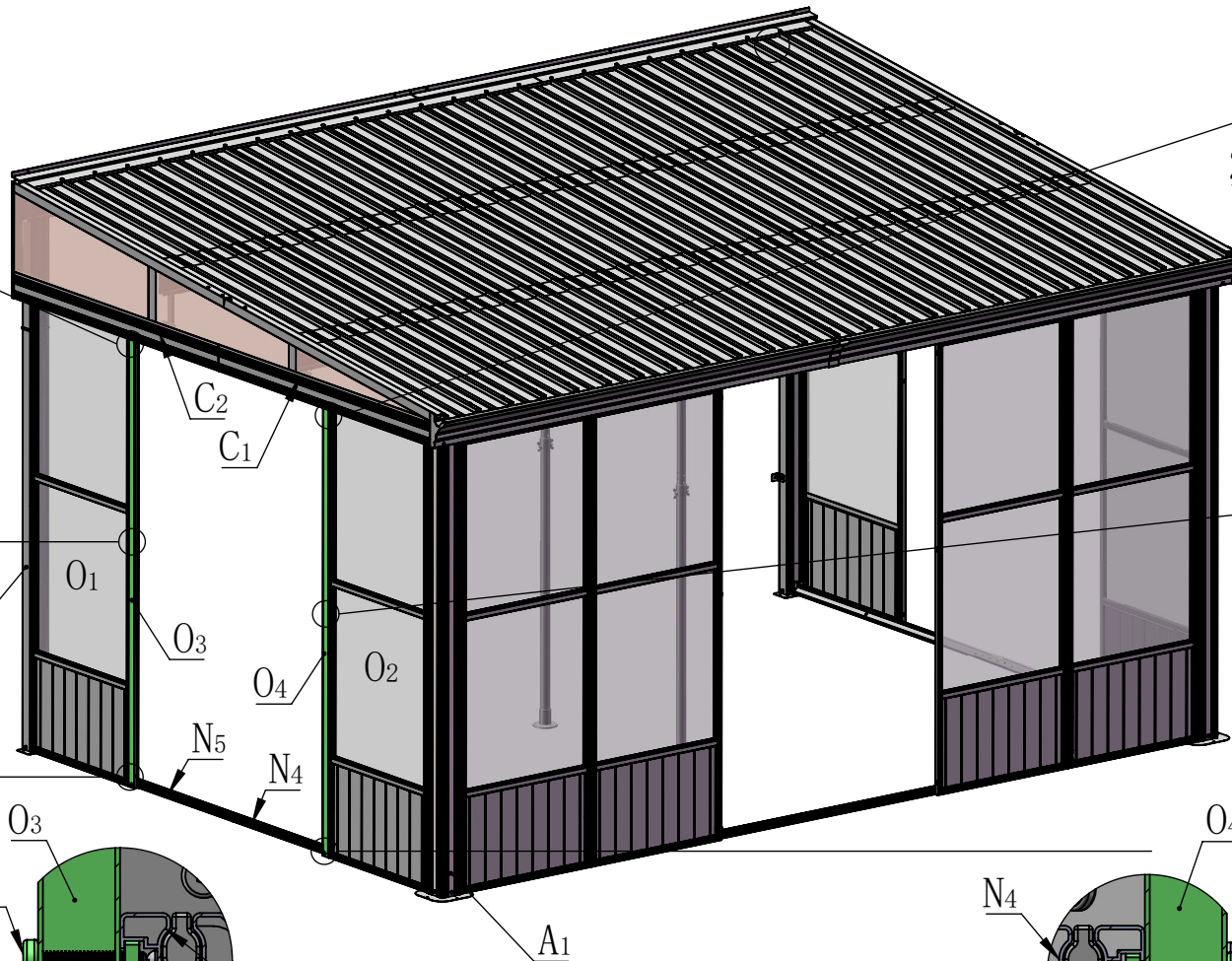
STEP2



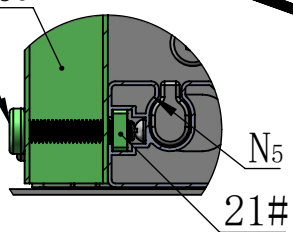
STEP2



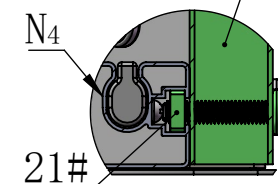
STEP1



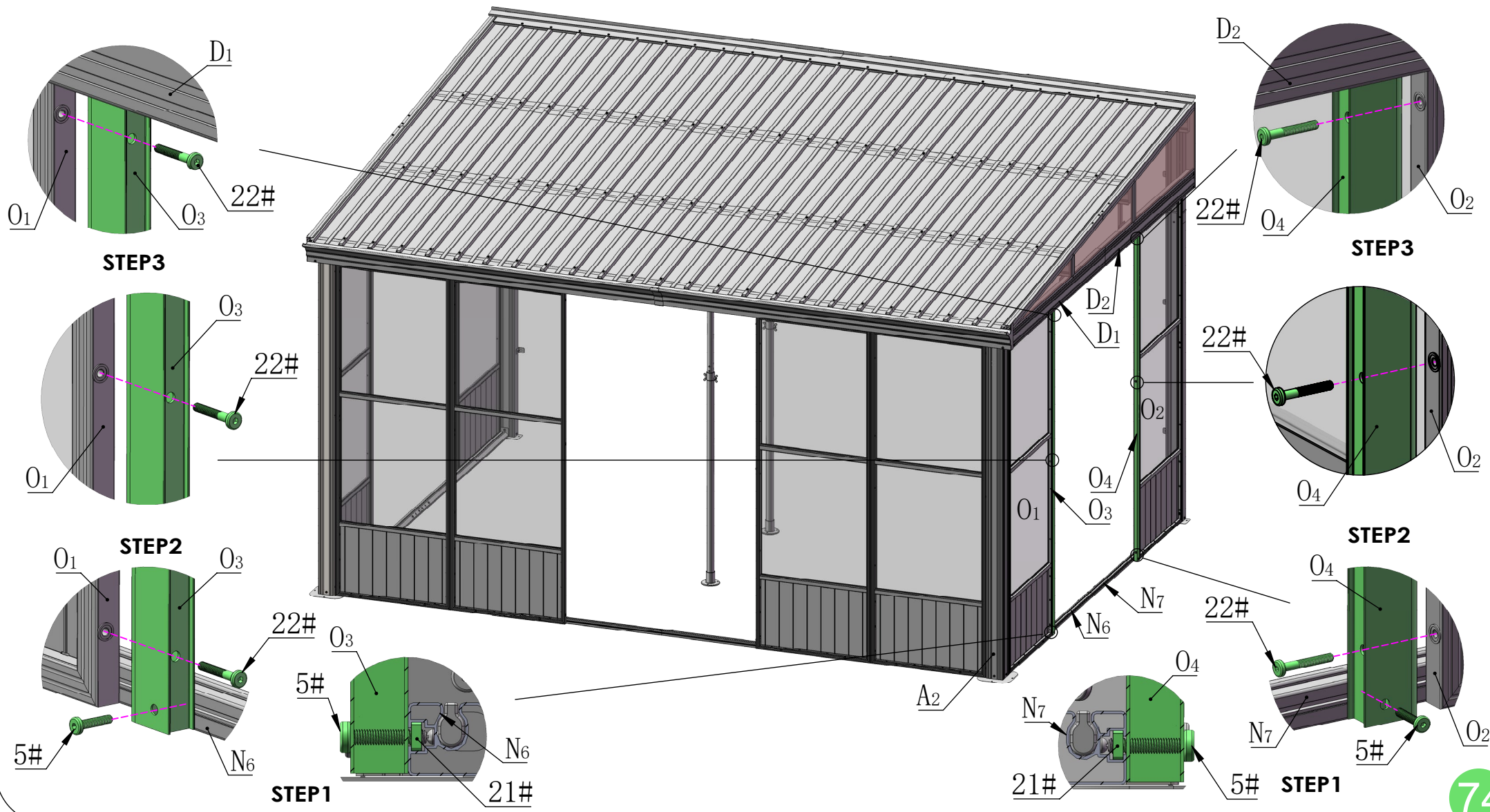
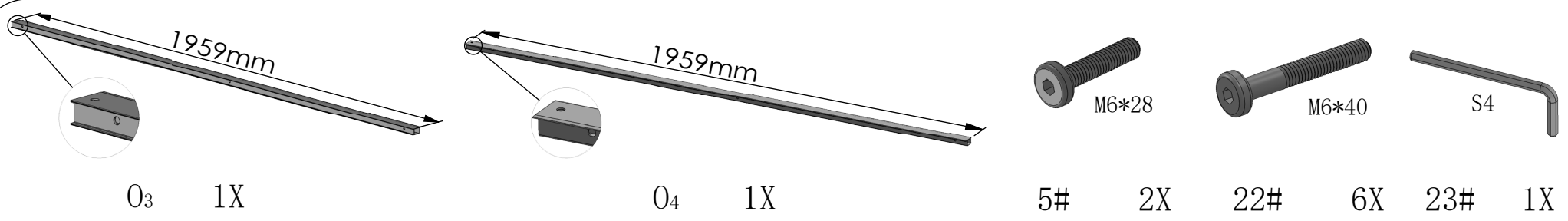
STEP1

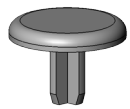


21#

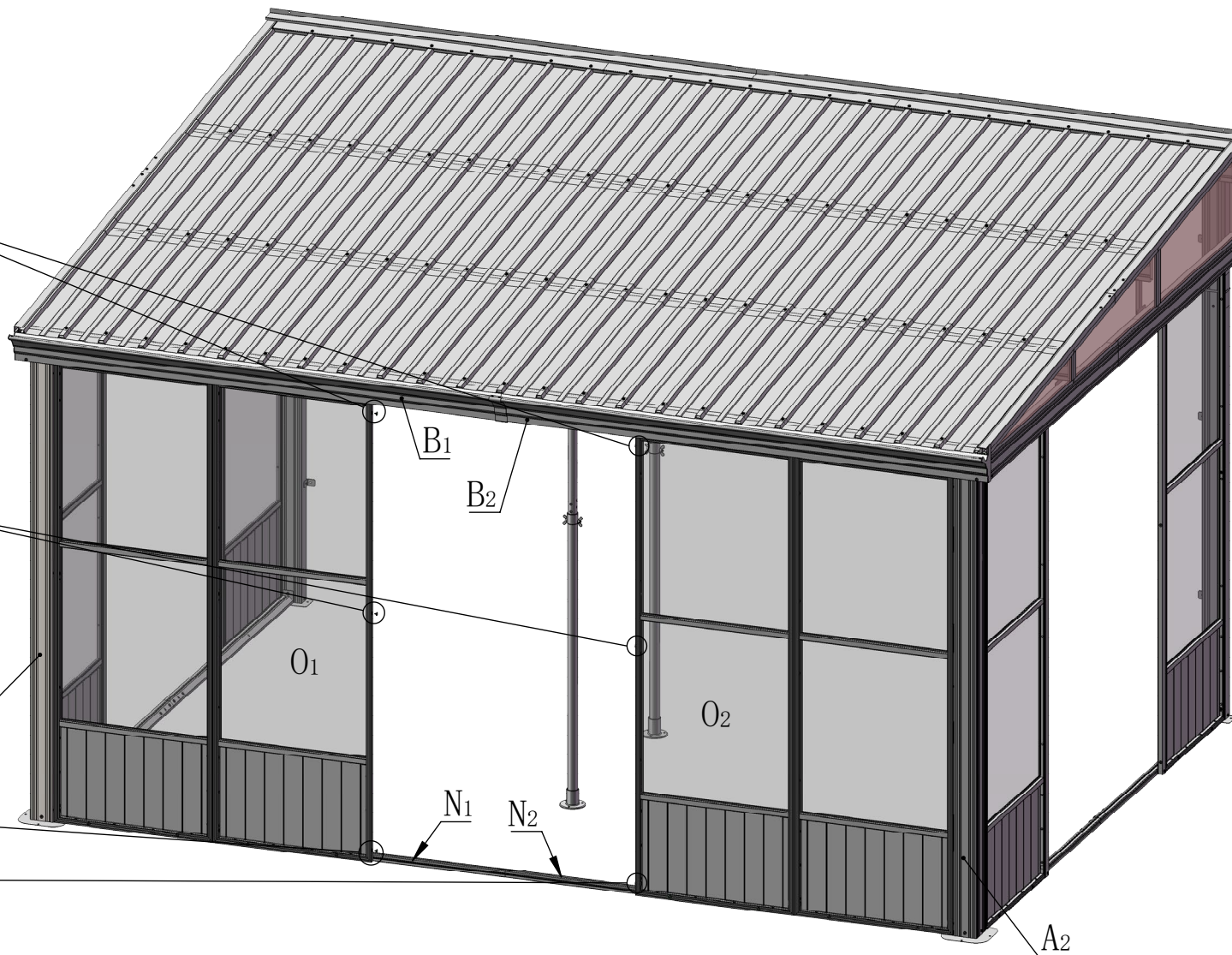
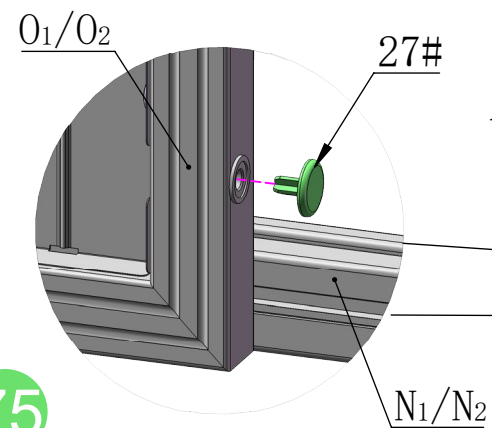
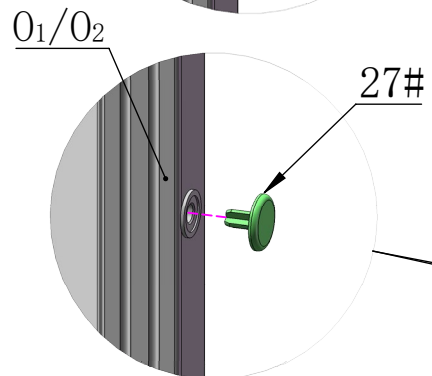
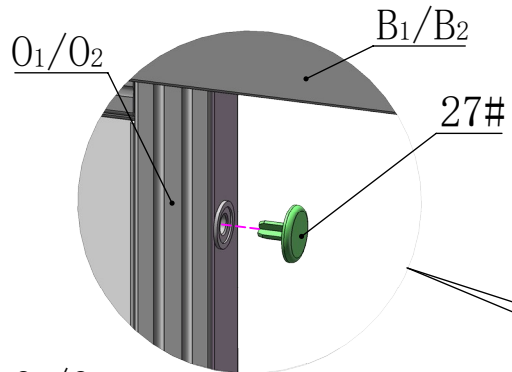


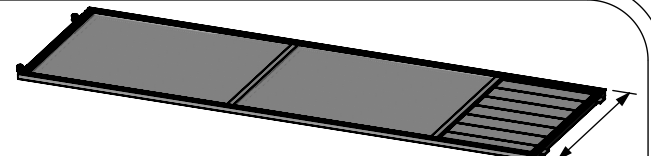
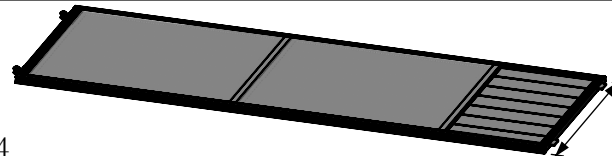
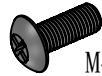
21#





27# 6X





K₄

4X

18#

8X

19#

8X

20#

4X

P₁

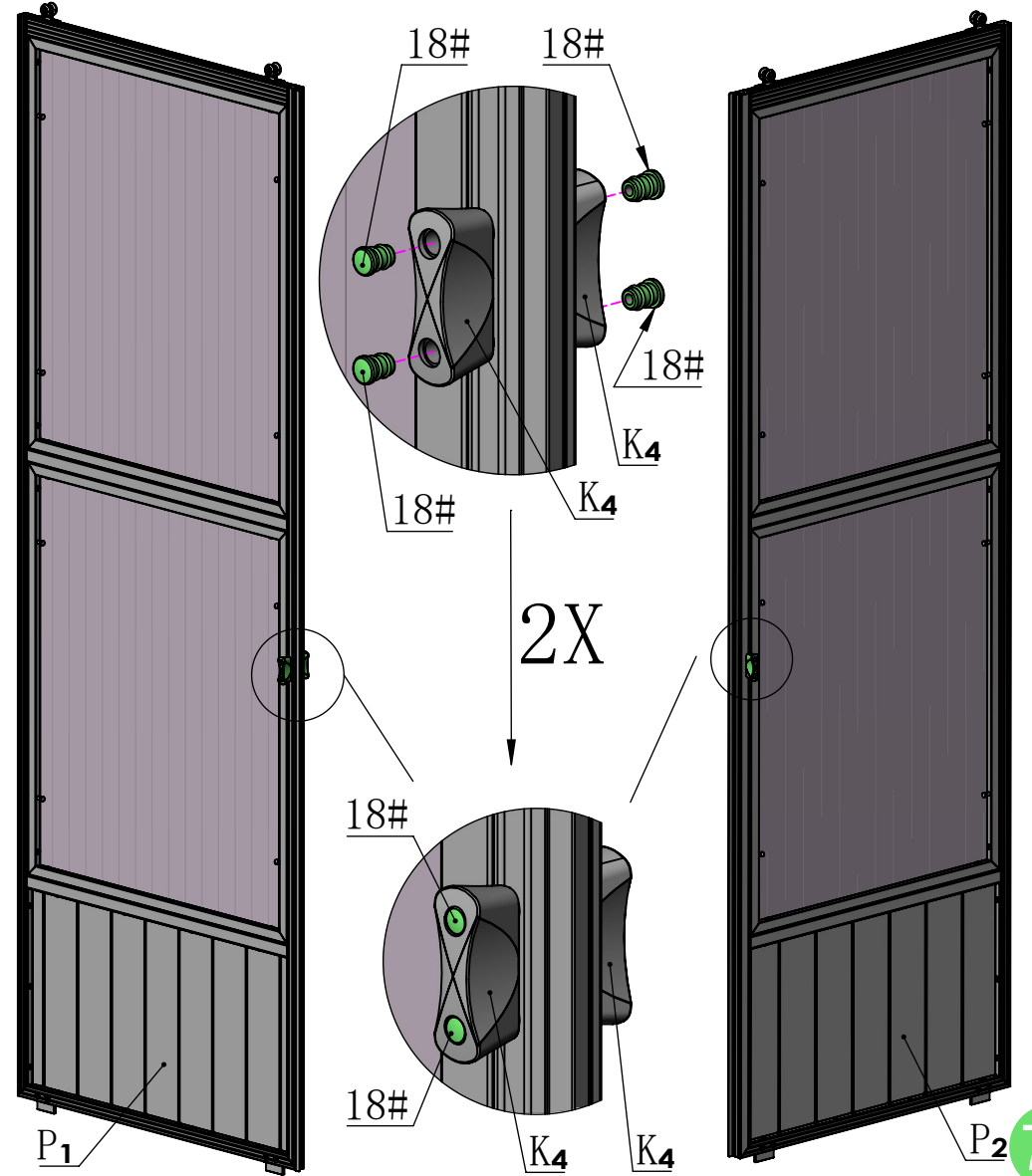
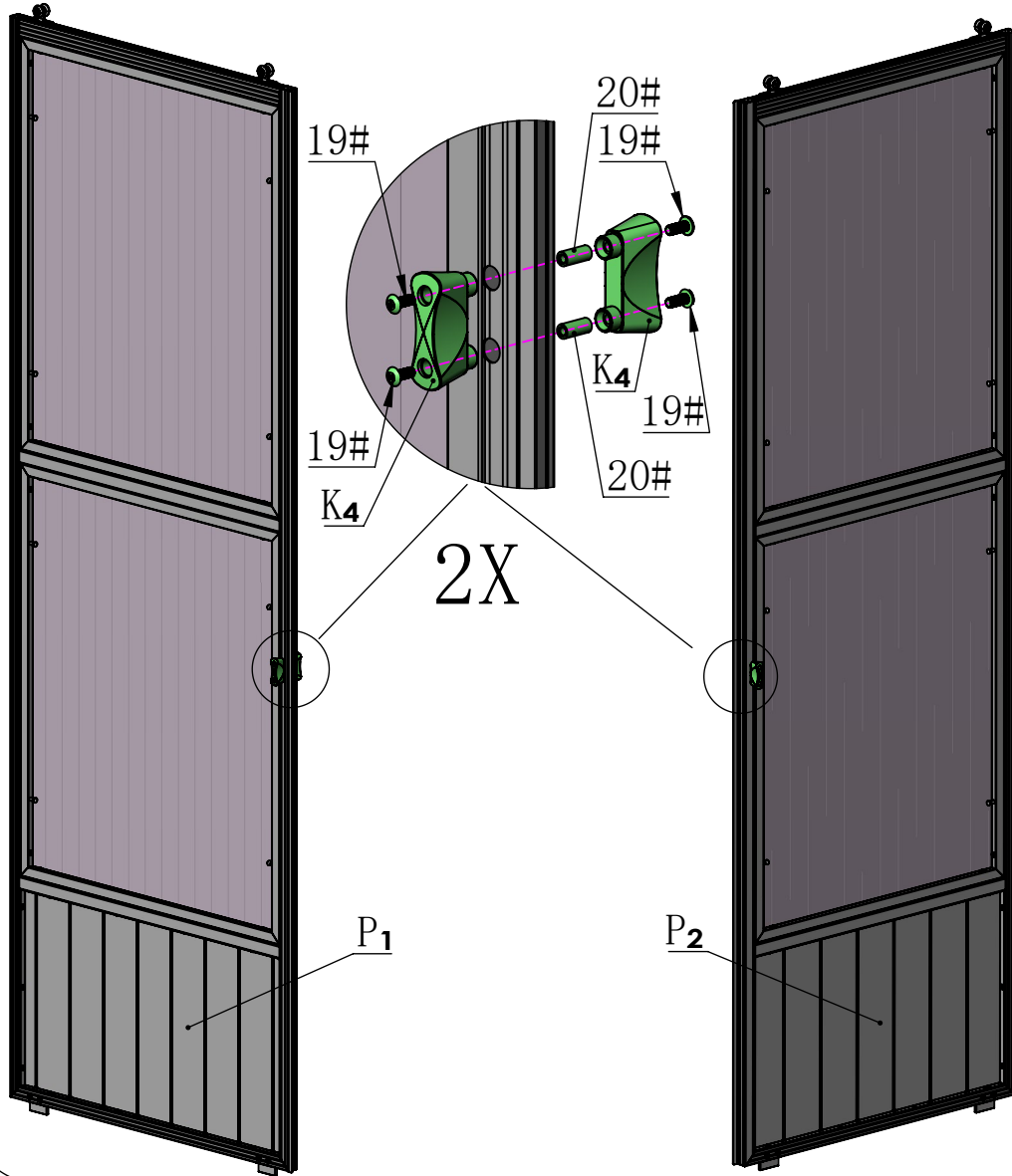
1X

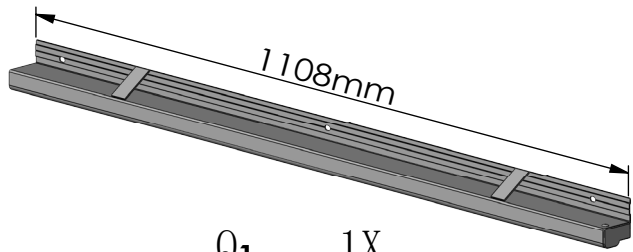
618mm

P₂

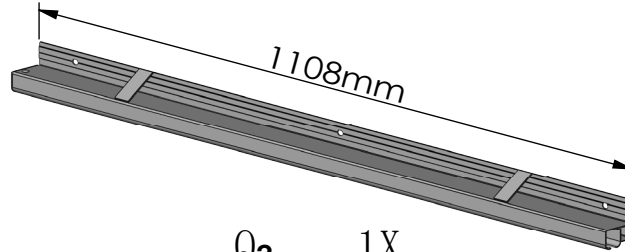
1X

618mm

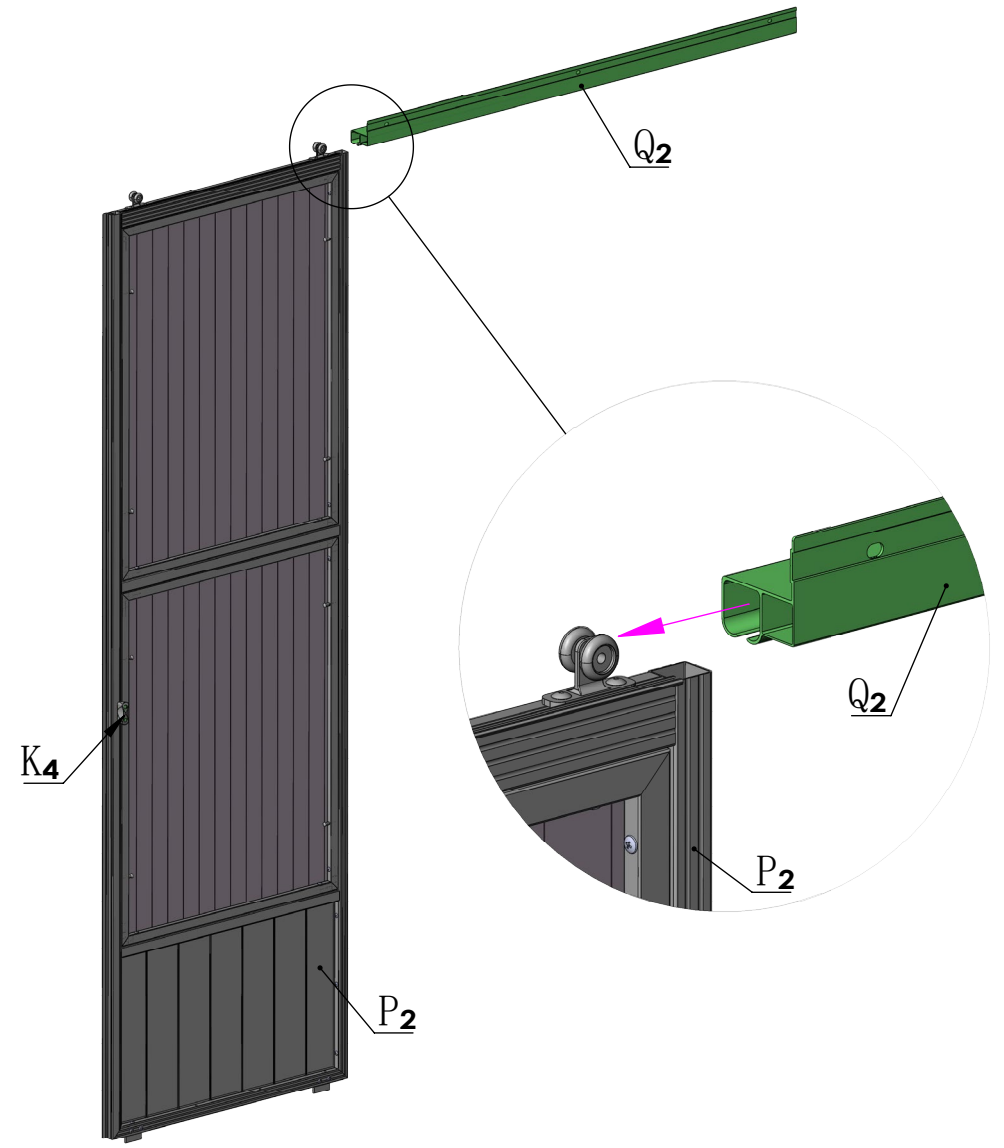
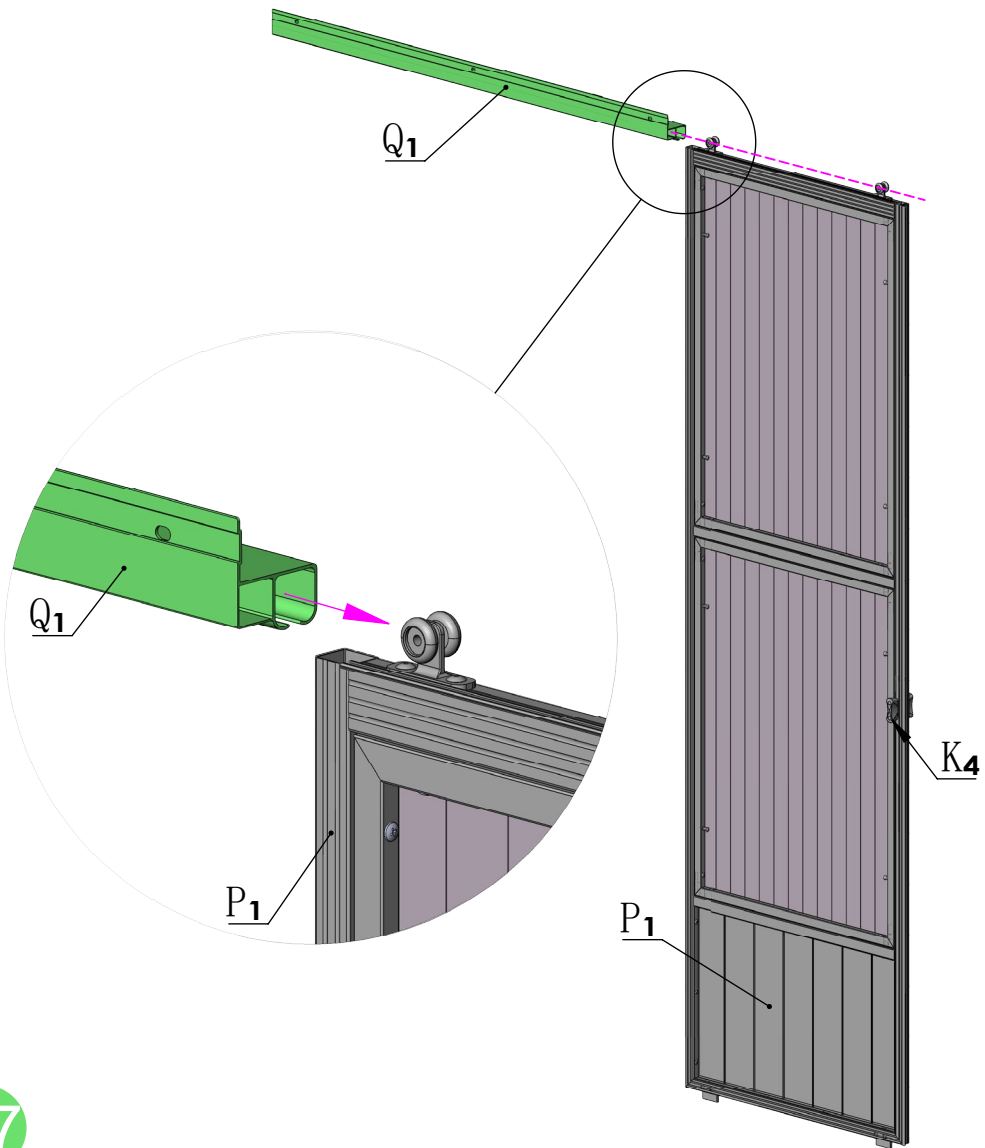




Q1 1X



Q2 1X

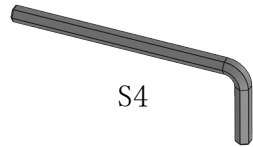




M6*16

4#

3X

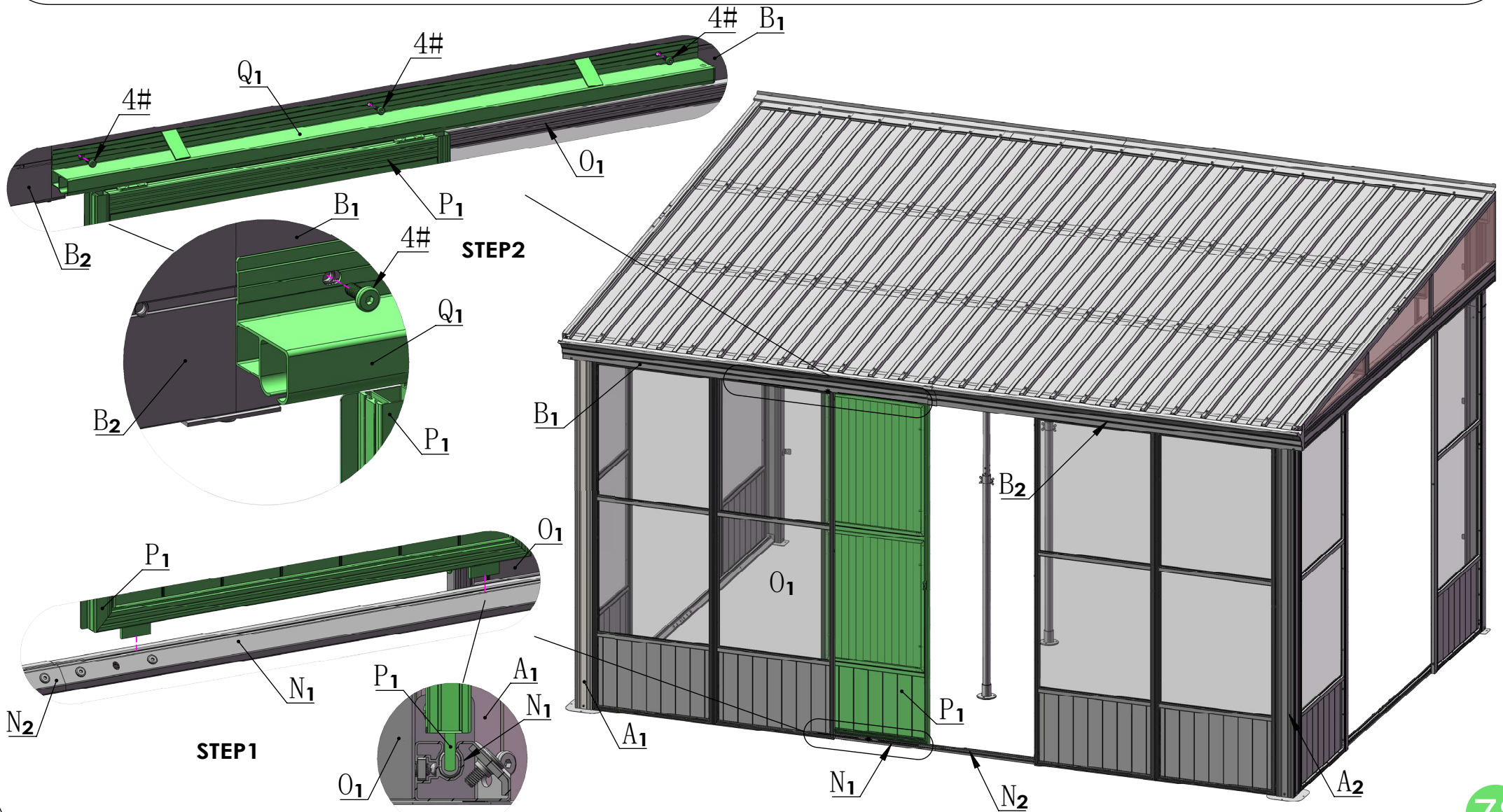


S4

23#

1X

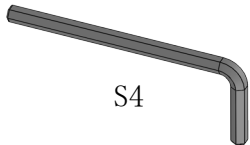
Insert the sliding door #P1 into the track first.





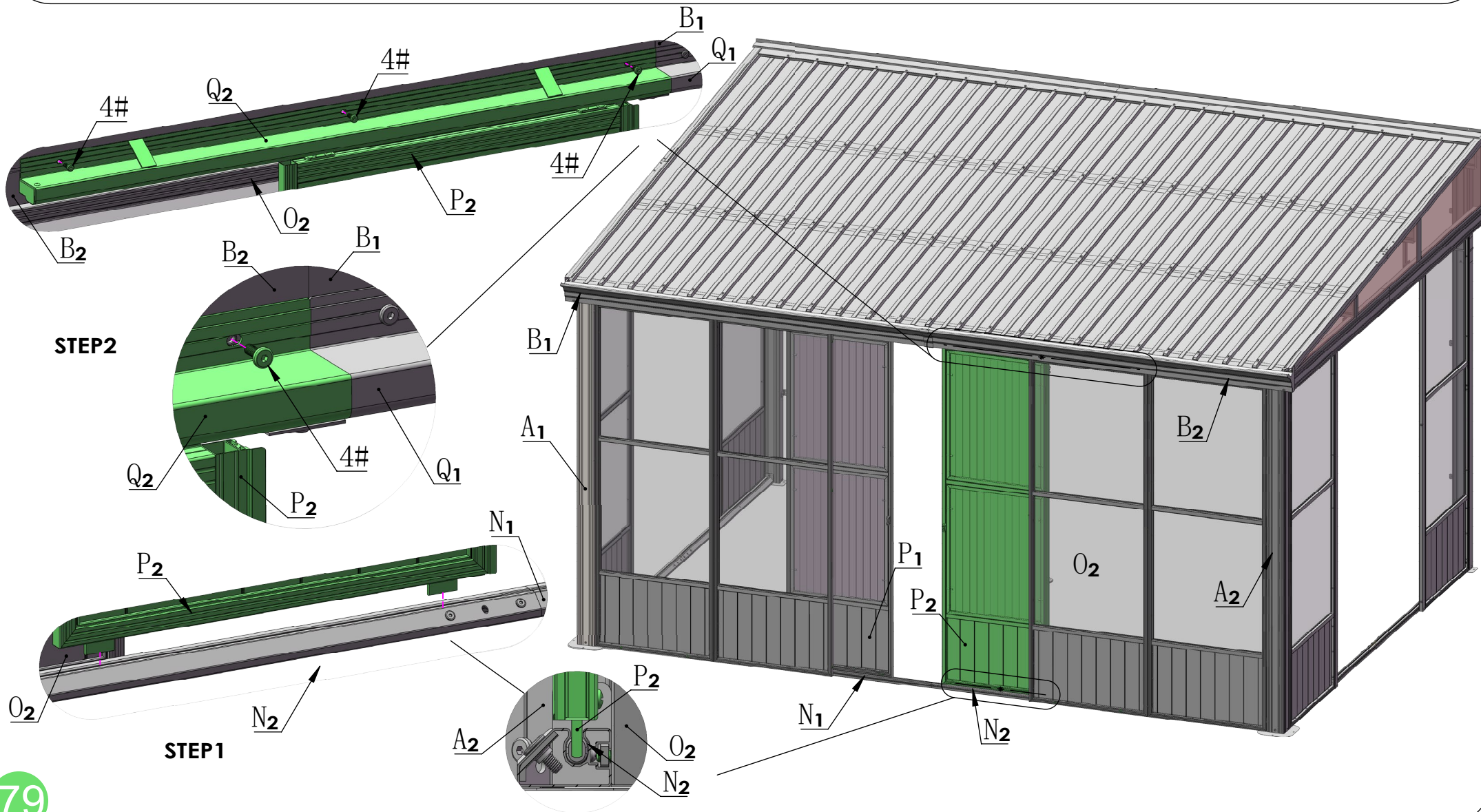
M6*16

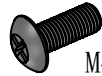
4# 3X



S4

23# 1X

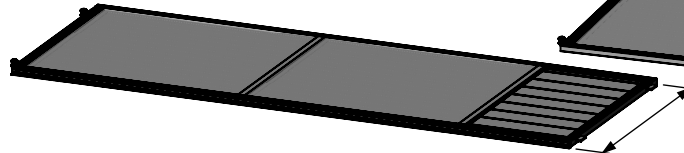




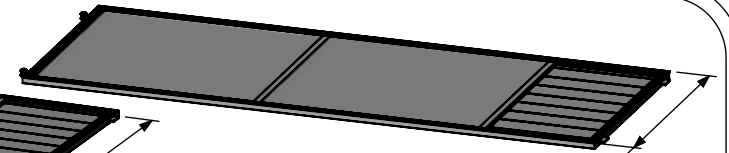
M4*10



M4



690mm



690mm

K₄

8X

18#

16X

19#

16X

20#

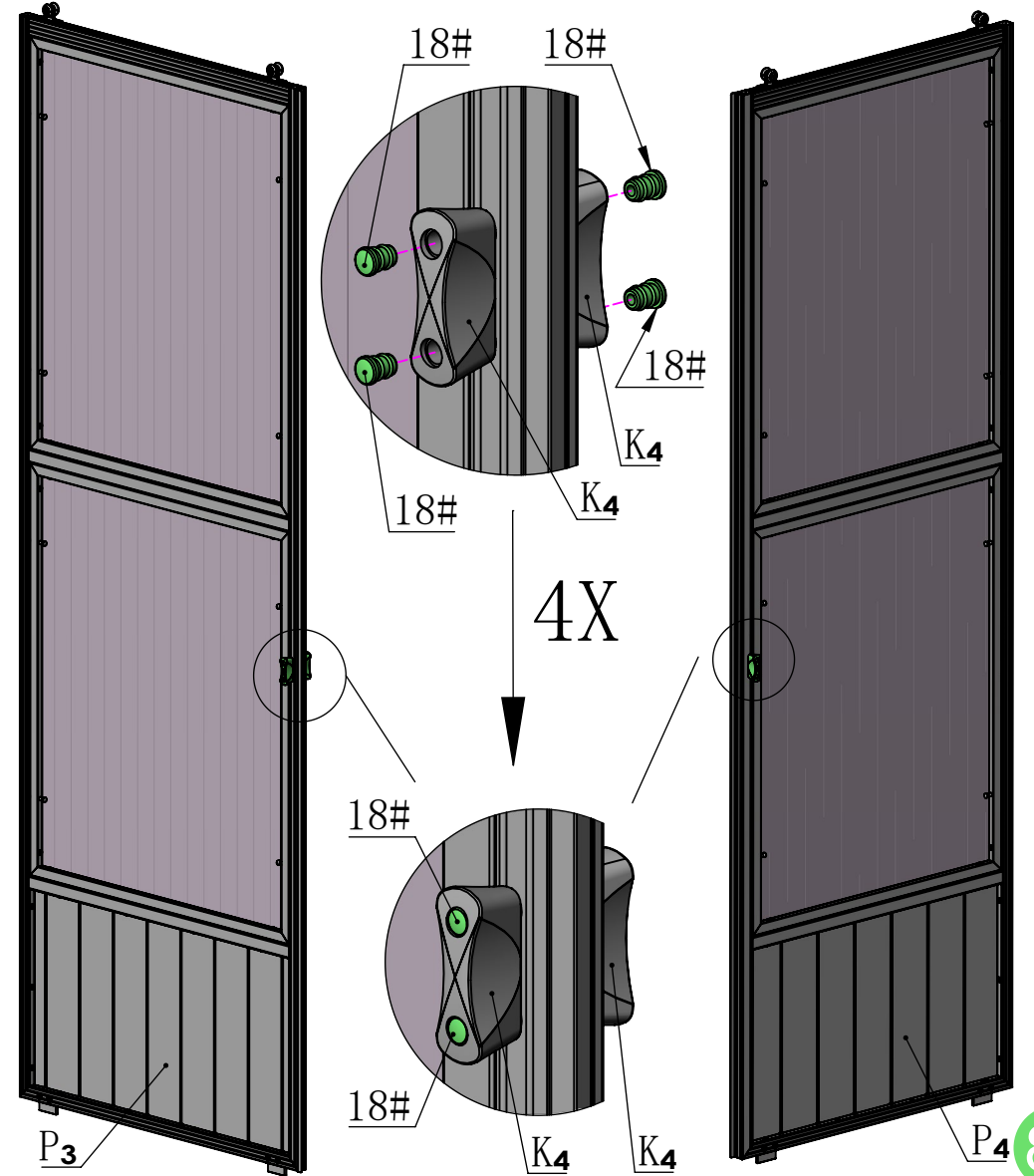
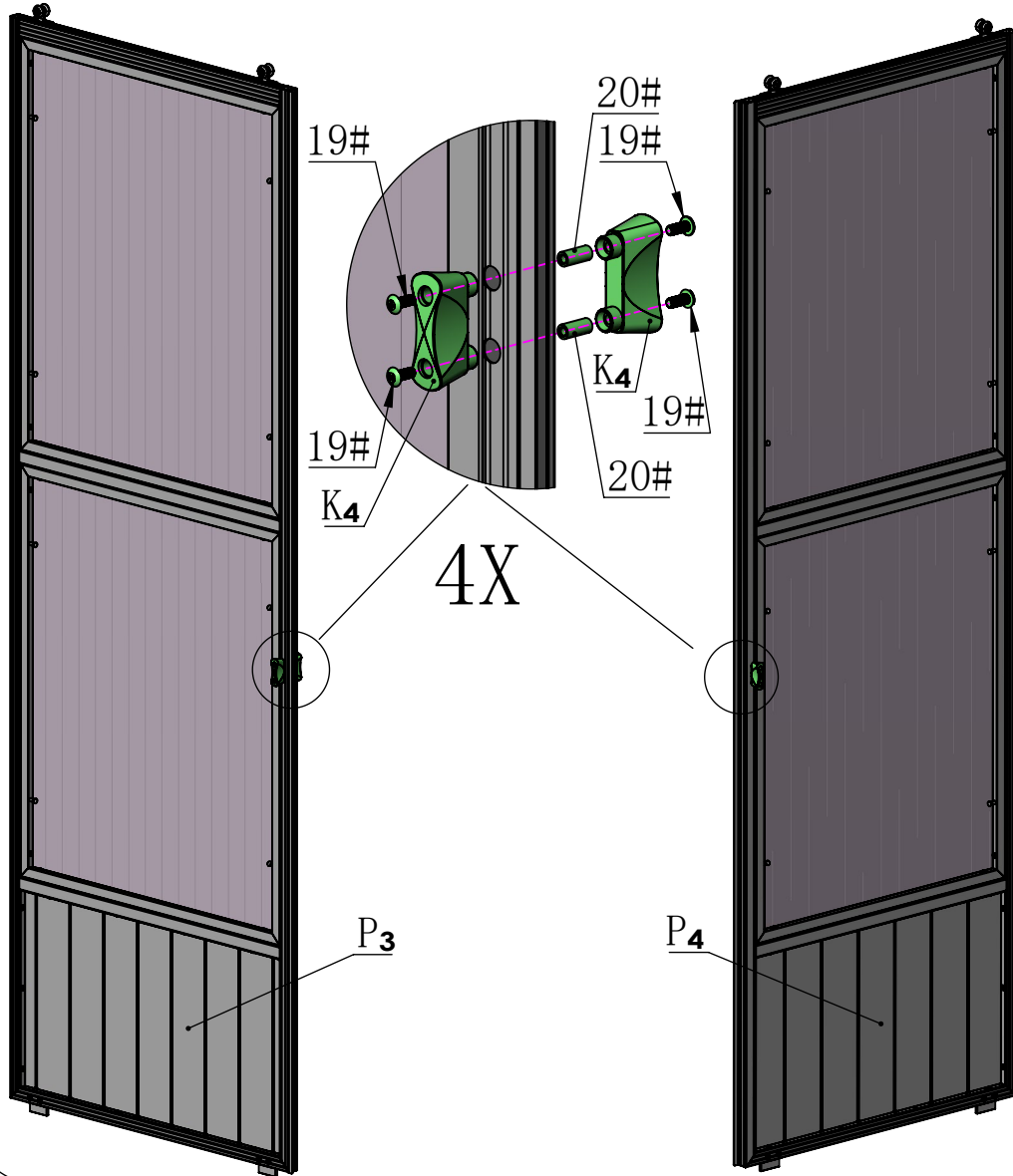
8X

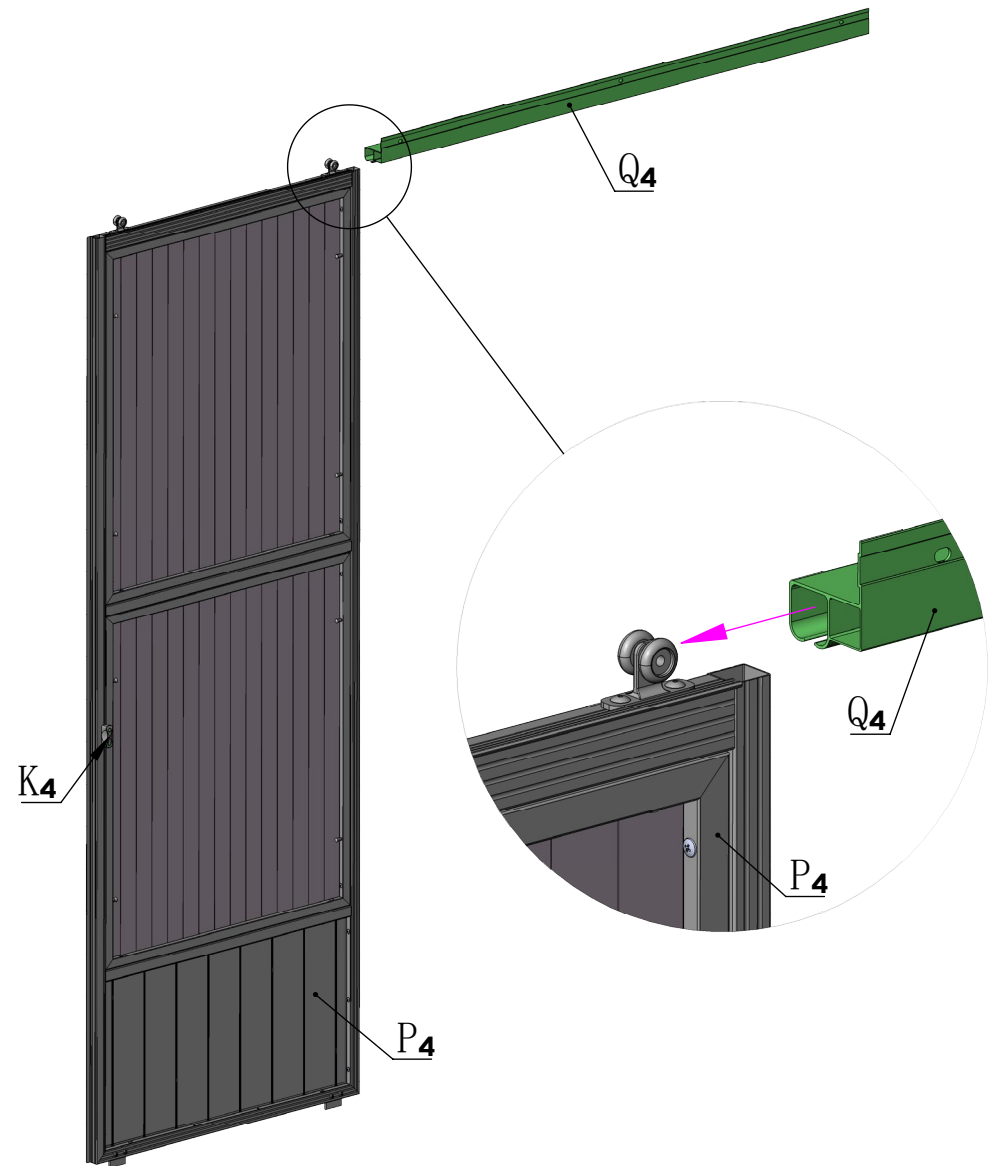
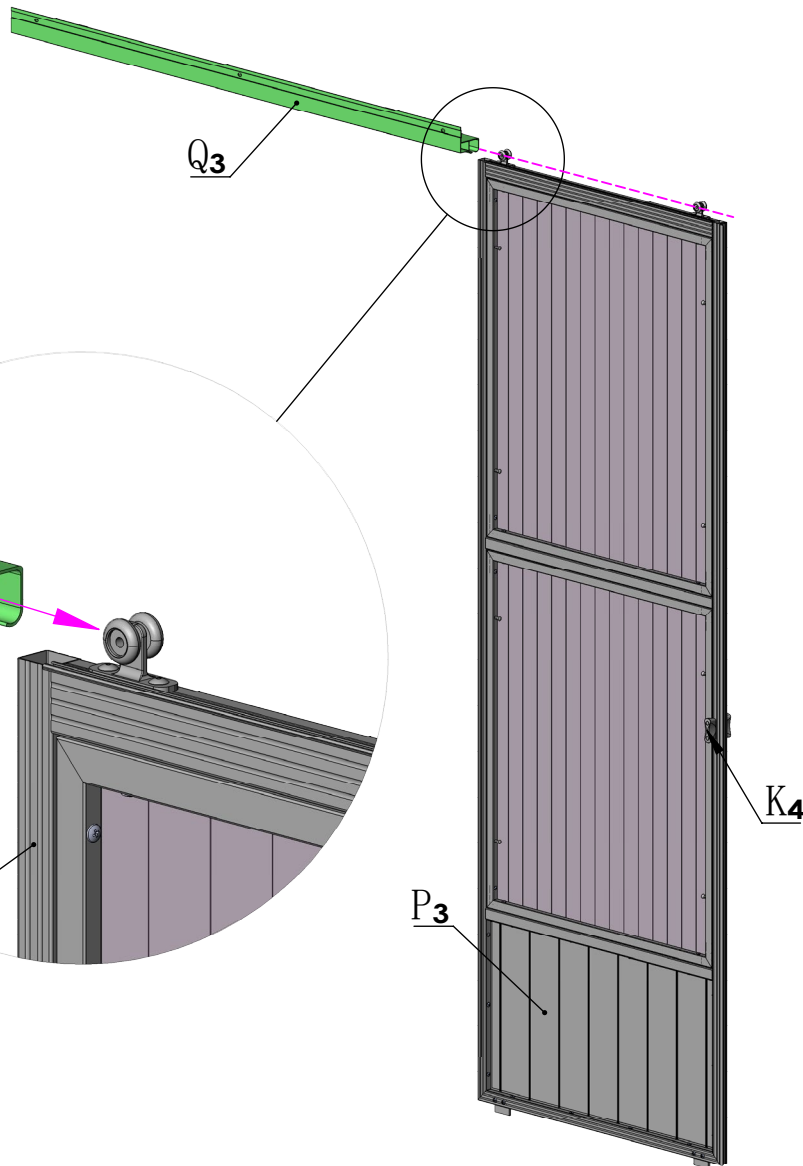
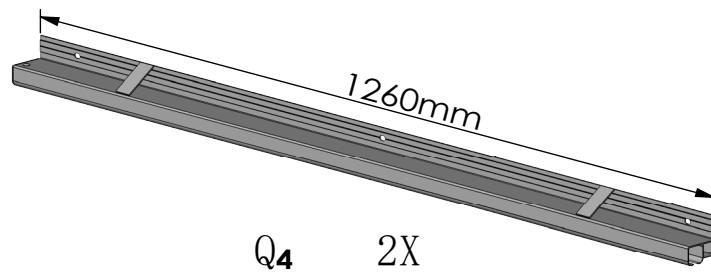
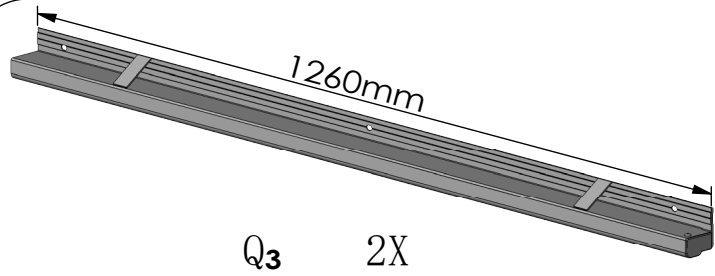
P₃

2X

P₄

2X



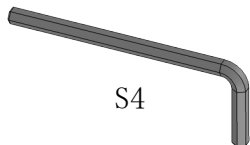




M6*16

4#

3X

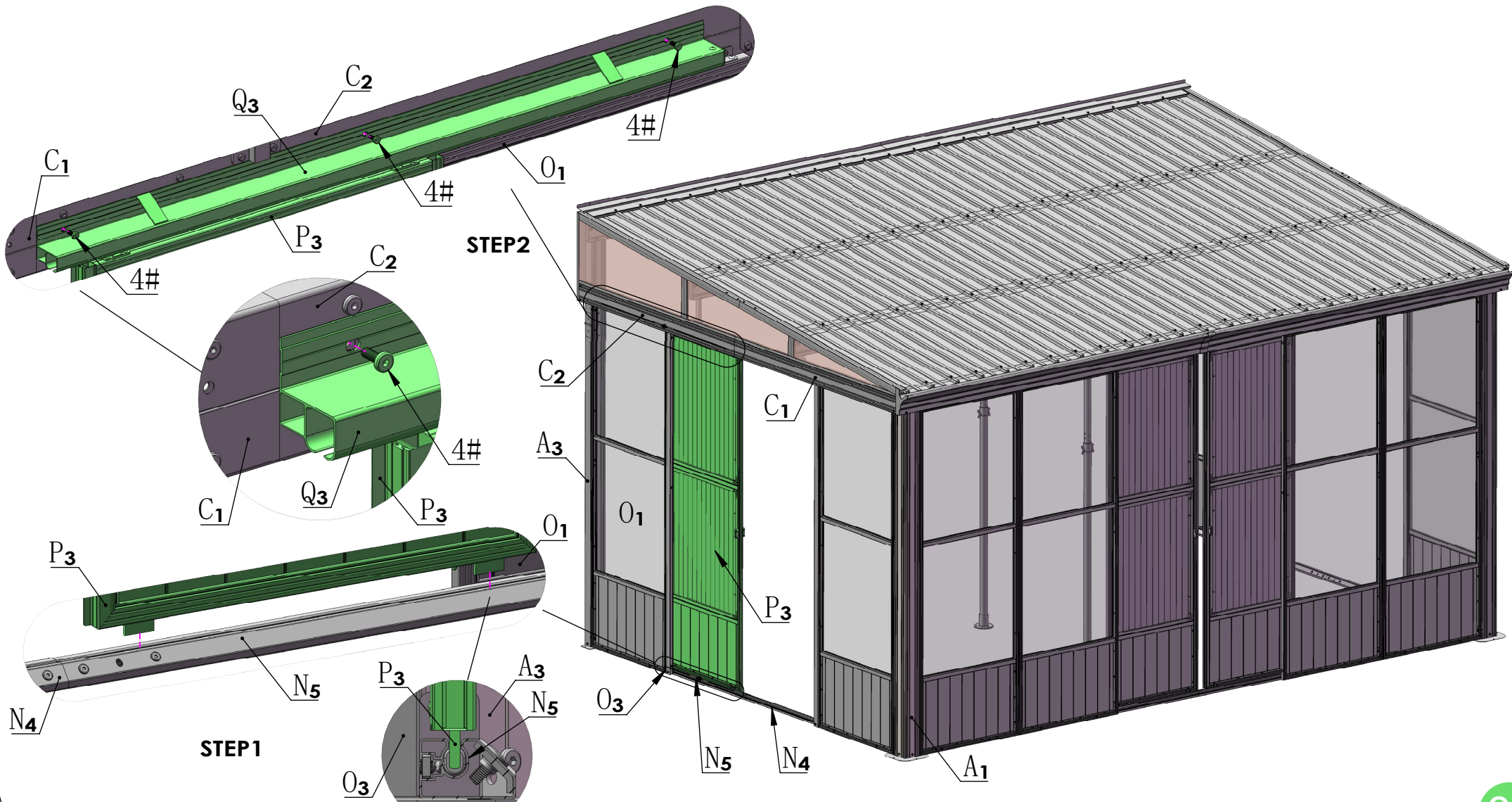


S4

23#

1X

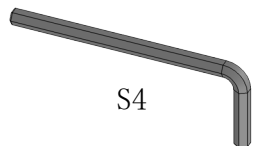
Insert the sliding door #P3 into the track first.





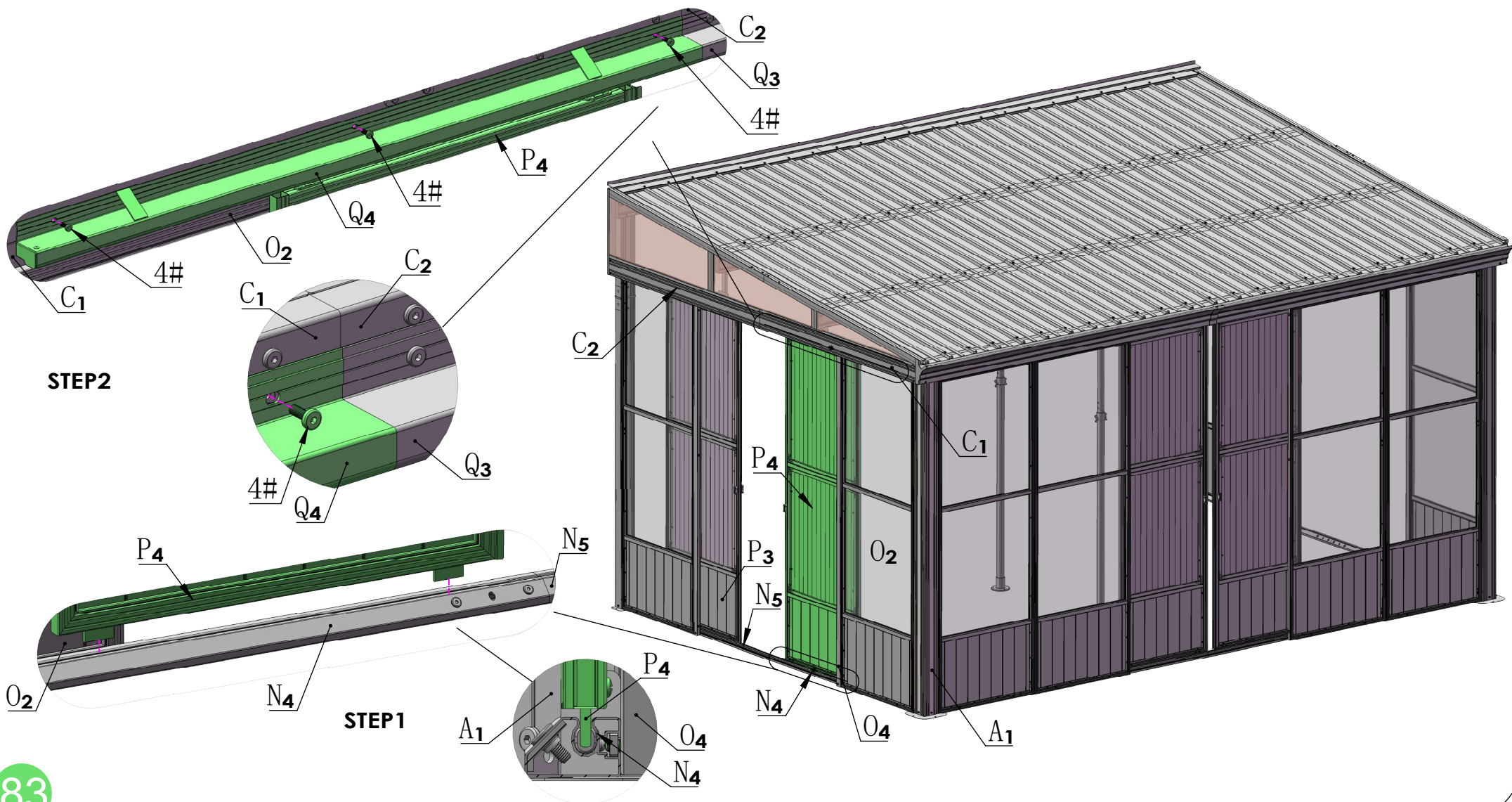
M6*16

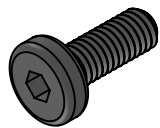
4# 3X



S4

23# 1X

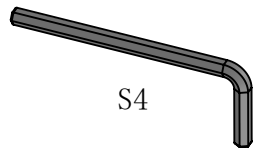




M6*16

4#

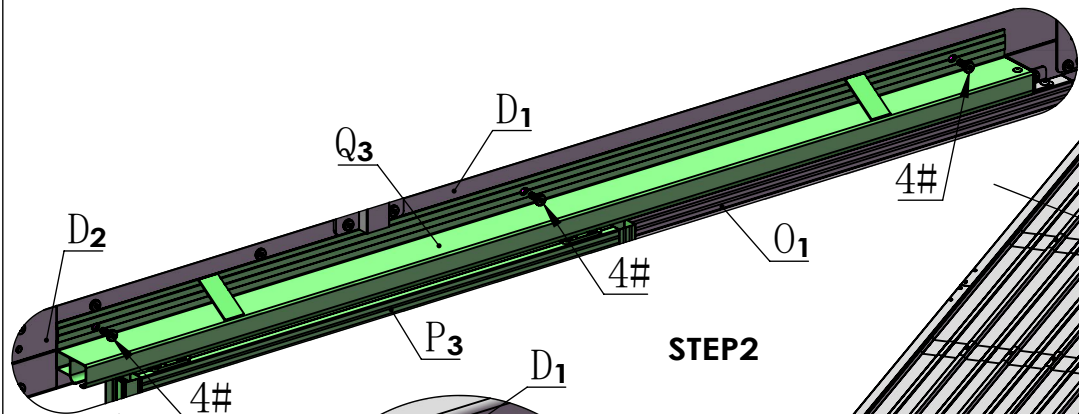
3X



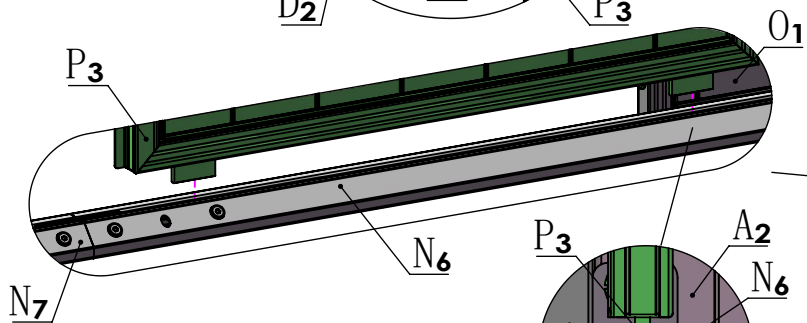
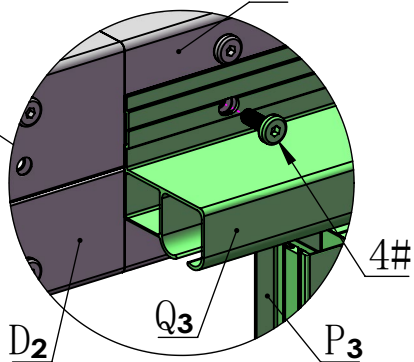
S4

23#

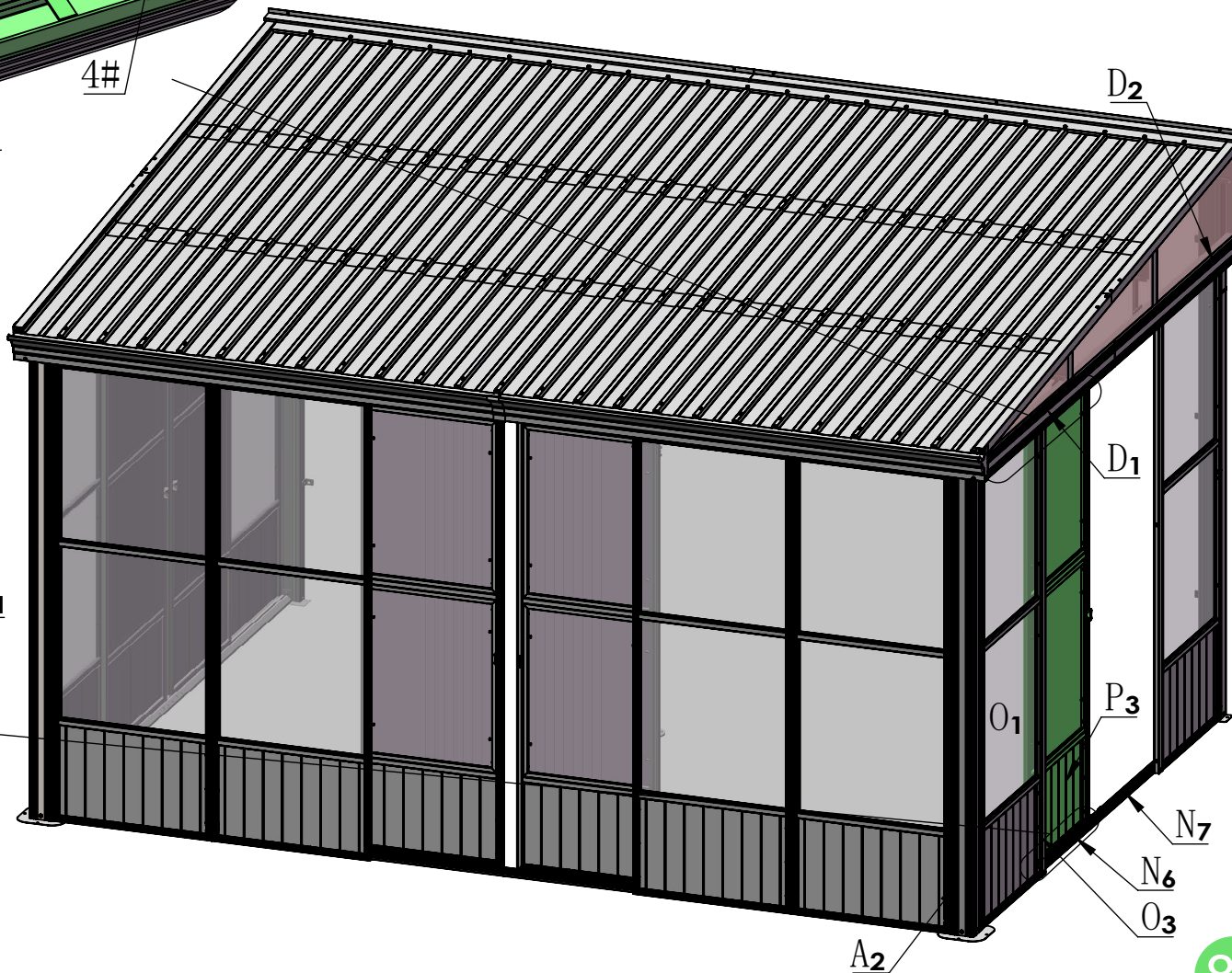
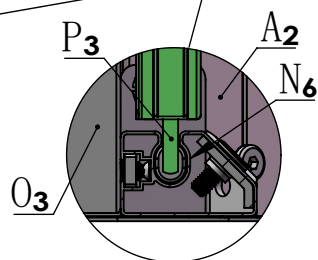
1X



STEP2



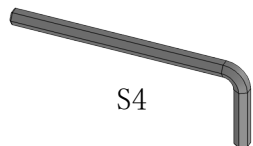
STEP1





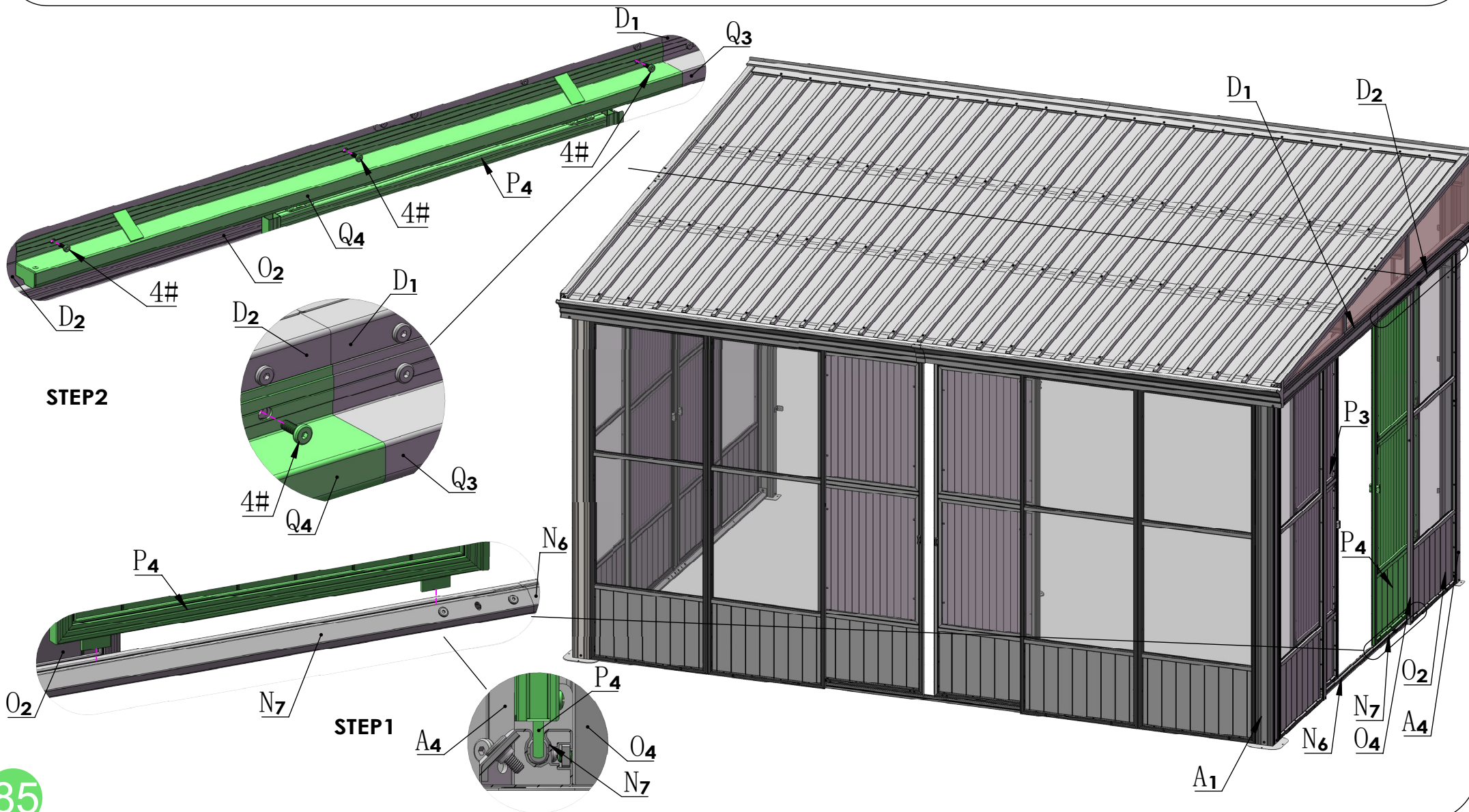
M6*16

4# 3X

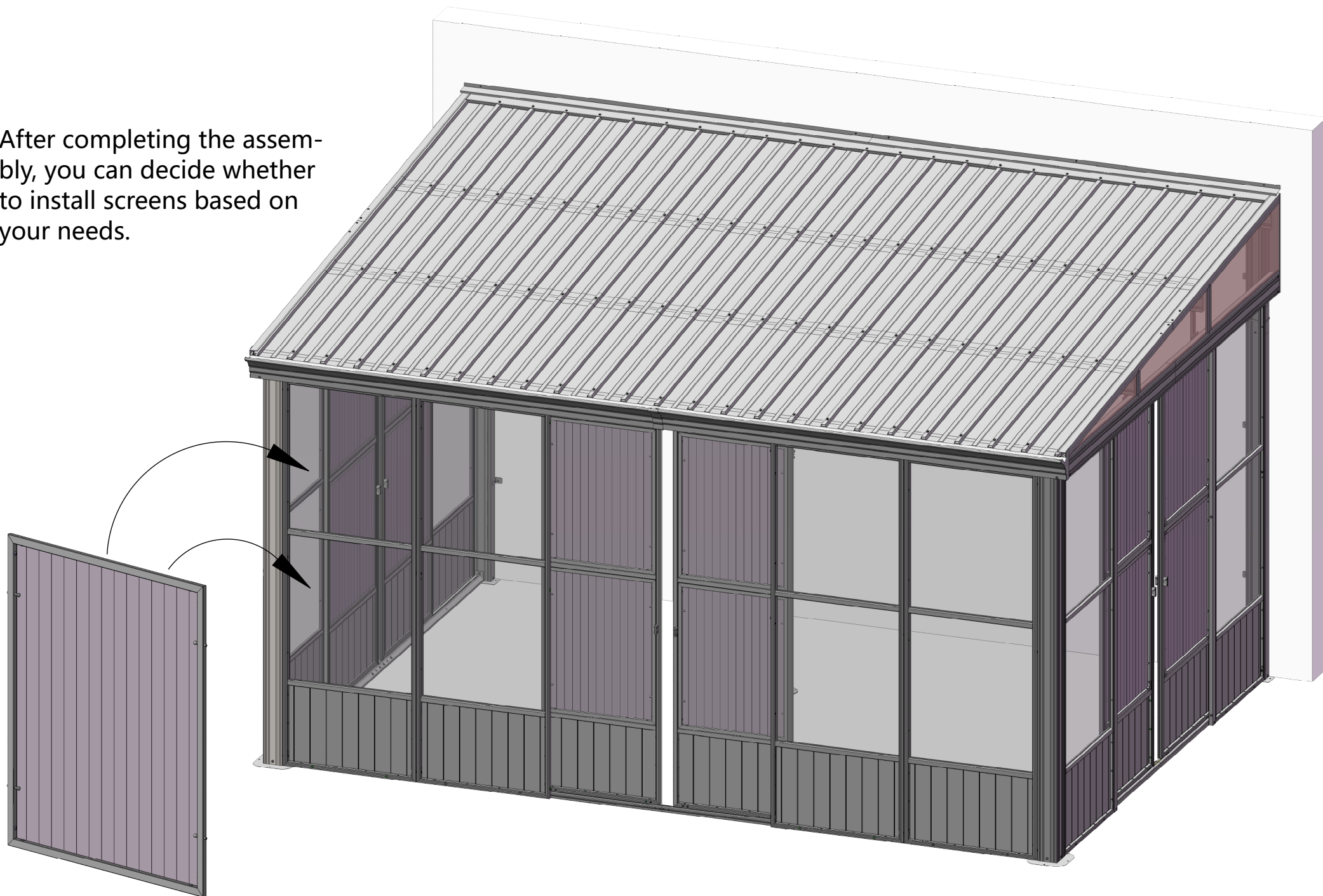


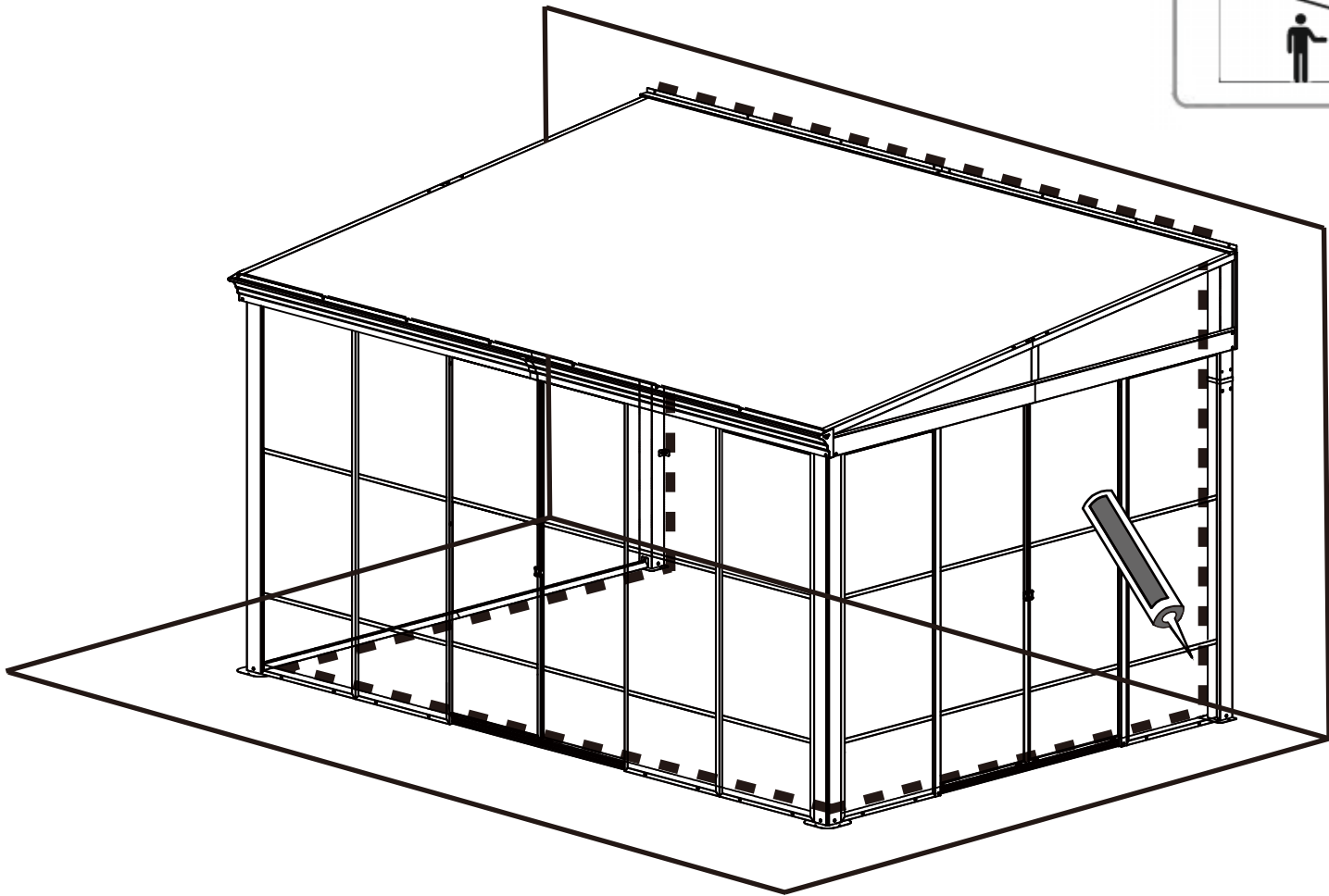
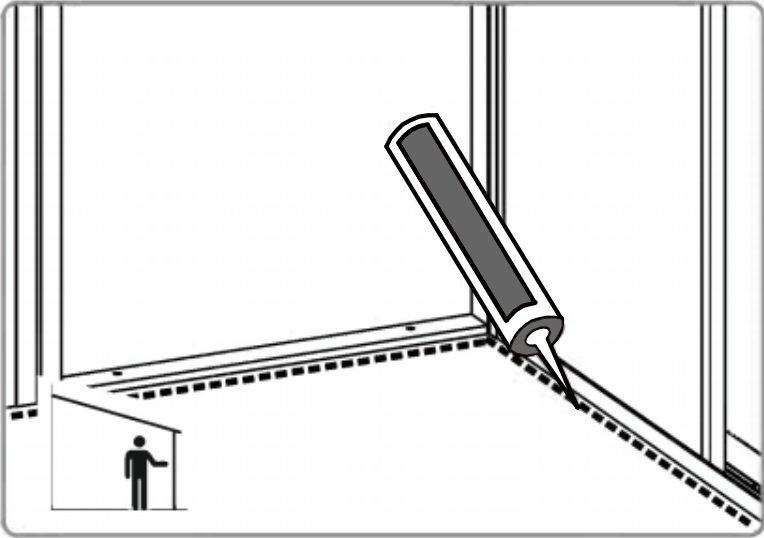
S4

23# 1X



After completing the assembly, you can decide whether to install screens based on your needs.





Care and Cleaning

Wash frame part with mild soap and water, rinse thoroughly.

Do not use bleach, or other solvents on the frame parts.

Please check periodically that the sunroom is anchored properly to the floor or ground to enjoy its safe usage.

Please check periodically that all screws are tight to maintain the solidity of the structure.

Please remove any snow accumulation at all times.

Warranty

Frames

Frames constructions are warranted to be free from defects in material and workmanship for 1 year from item purchased. Damage to frame from negligence won't be covered by this warranty.

Bolts & nuts

Bolts and nuts are warranted to be free from defects in material and workmanship for 1 year from item purchased. Damage from exposure to chemicals (including not only oils ,spills, fluids) won't be covered by this warranty.

Warranty Limitation

This warranty is for the original purchase order only. (Order number required). This warranty is non-transferable. Domi outdoor living is responsible for the free replacement part including shipping charges for the 1 year warranty.

Warranty Exclusion

This warranty does not cover products subject to negligence, abuse usage, inappropriate installation. Domi outdoor living reserves the right to explain warranty exclusions. When the replacement item is applied, the 1 year warranty automatically expires. Please feel free to contact us for applying warranty.



RESORT COMFORT IN YONR
OWN BACKYARD

Support:



Business cooperation contact email:

marketing@domioutdoorliving.com

After-sales contact email:

service@domioutdoorliving.com

Please tell us your order ID when contact.

Attach photos of damaged part for instant reply.