

Assembly Instructions

Classic Rocker

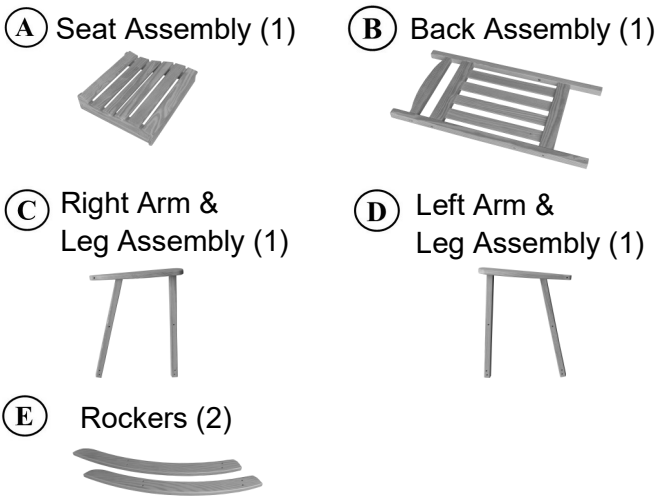


Thank you for choosing our product.

We hope that this piece brings you many years of enjoyment!

For help with assembling your furniture,
or if you have missing hardware, please email us.

PARTS



HARDWARE (included)

2³/₄" Bolts (4)

2¹/₂" Bolts (8)

2" Bolts (2)

3" Screws (4)

Allen Wrench (1)

Square Drive Bit (1)

(a)

(b)

(c)

(d)

(e)

(f)

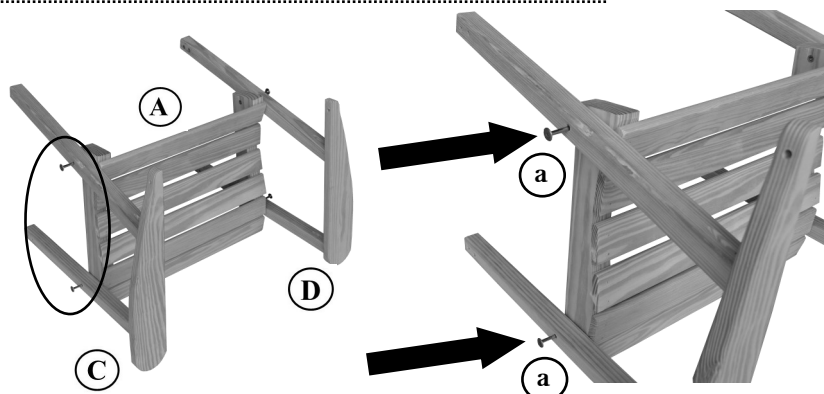


TOOLS NEEDED

Power Drill or Screwdriver

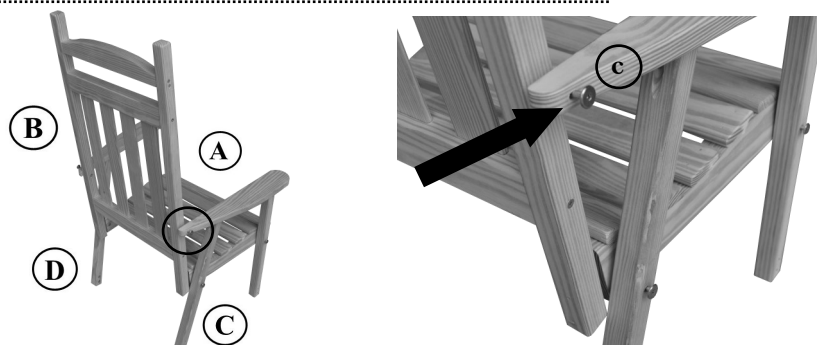
STEP 1

Place the seat on a clean surface with the front slat on the seat facing down. Attach the arm & leg assemblies to each side of the seat. The curved side of the arm belongs on the outside. Insert two 2³/₄" bolts through the holes in the legs & turn into the threaded inserts in the side of the seat. **Do not fully tighten any bolts until the chair is fully assembled.**



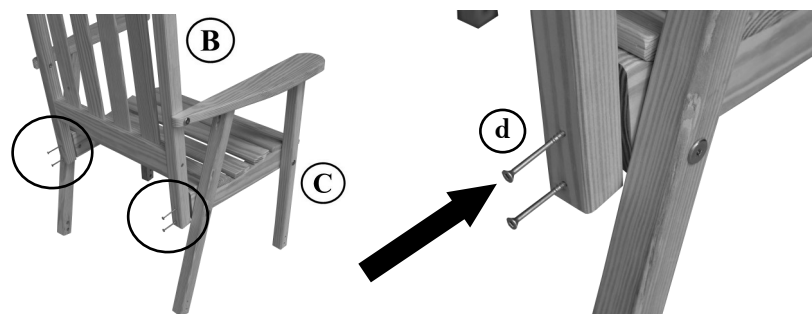
STEP 2

Set the chair upright. Place the back assembly between the arms. Align the hole in the back of the arm with the threaded insert in the side of the back assembly. Attach with the 2" bolts. (If the back doesn't fit between the arms, loosen the bolts in the legs.)



STEP 3

Attach the bottom of the back assembly to the back of the seat. Place the 3" screws in the predrilled holes in the back & turn into the seat with the power drill or screwdriver. There are no predrilled holes in the seat as screws are self drilling.



STEP 4

Lay the chair on the side & attach the rockers. Put four 2¹/₂" bolts through the holes in the rocker & turn into the inserts in the legs. The holes closest to the end of the rocker belong on the front. Set the chair upright again & tighten all bolts.

