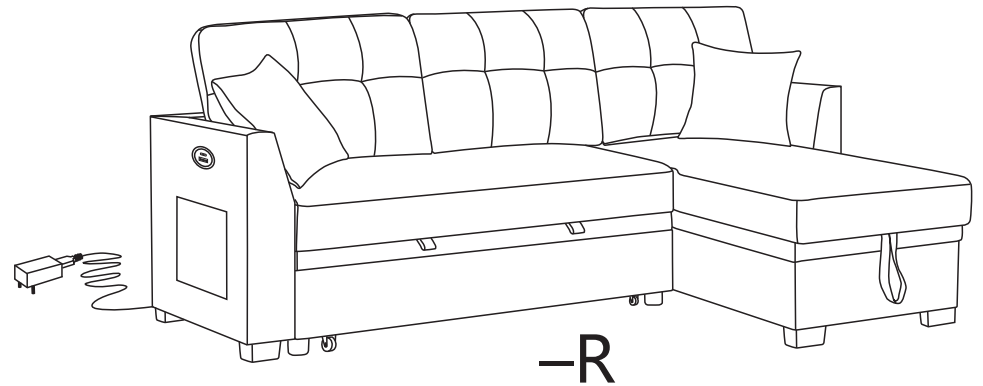
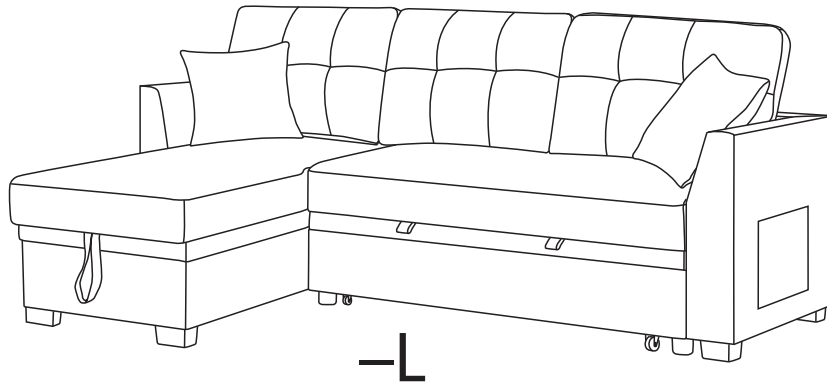
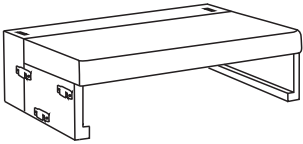
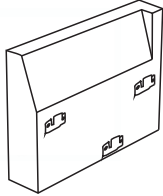
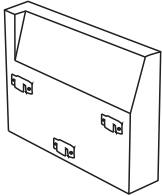
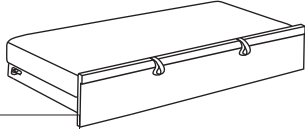

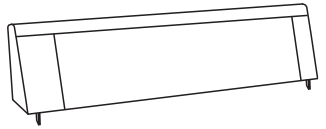
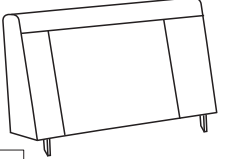
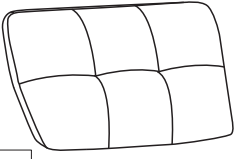
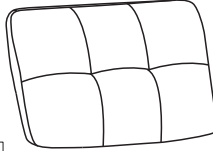
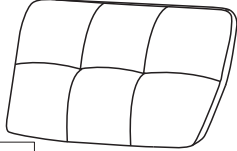
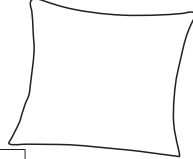


ASSEMBLY INSTRUCTION

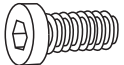

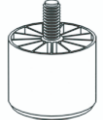

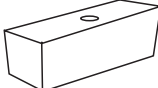


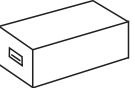
ITEM NO.:LG-7708



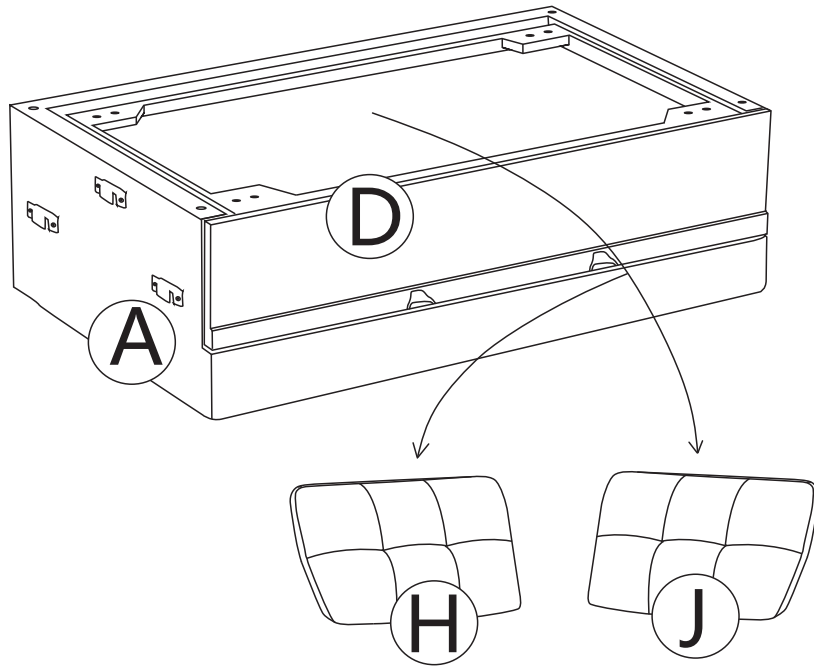
PARTS LIST

					
A	B	C	D	E	F
X1	X1	X1	X1	X1	X1
					
G	H	I	J	K	
X1	X1	X1	X1	X2	

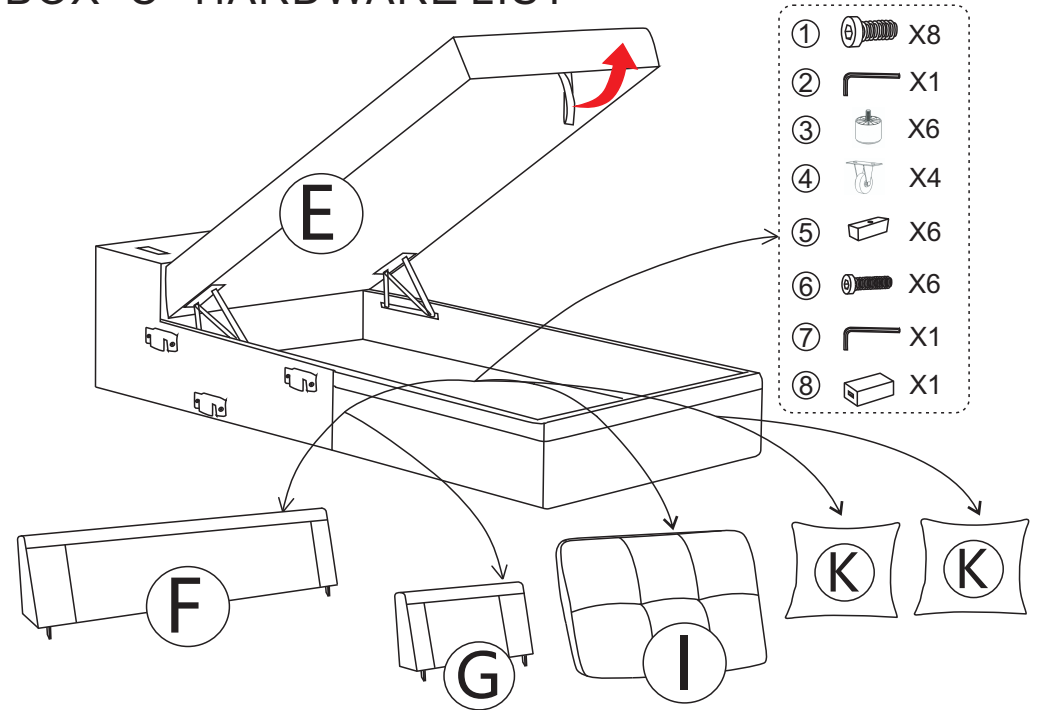
HARDWARE LIST

							
1	2	3	4	5	6	7	8
M6X25	M4				M8X60	M5	
X8	X1	X6	X4	X6	X6	X1	X1

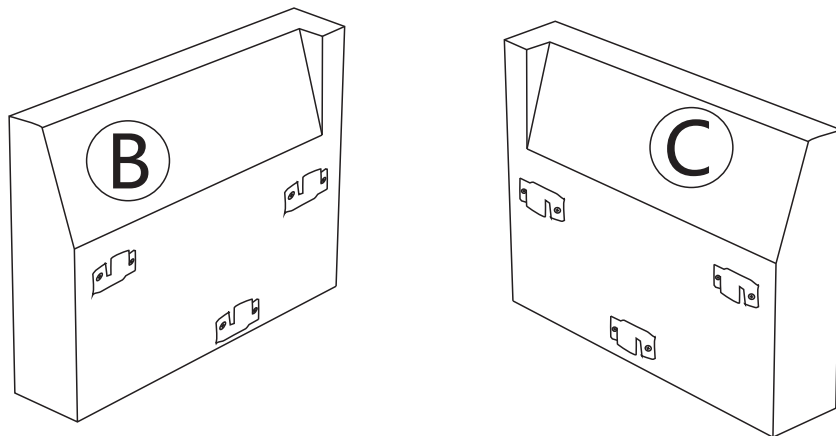
BOX -L HARDWARE LIST



BOX -C HARDWARE LIST



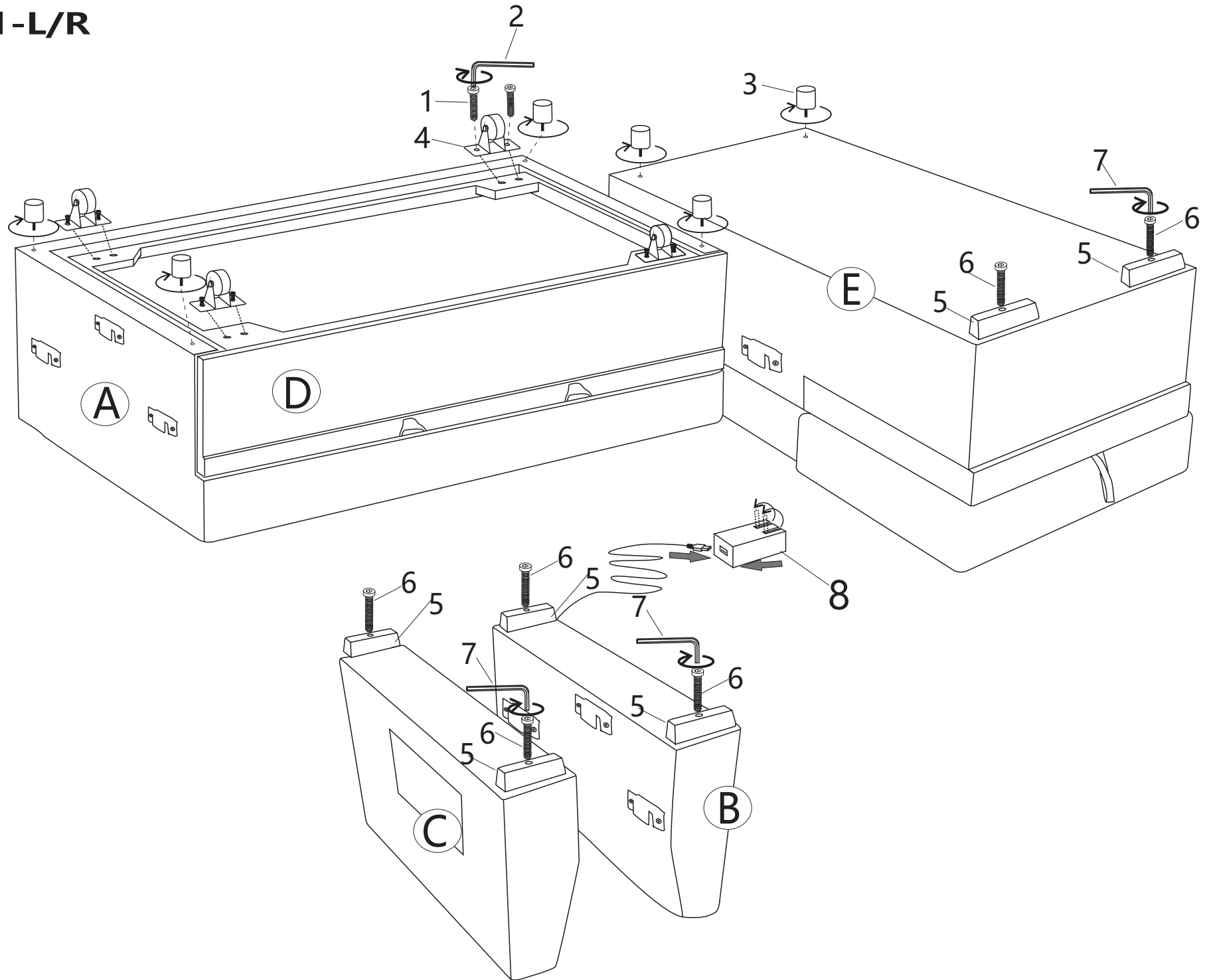
BOX -A HARDWARE LIST



Unpacking steps:

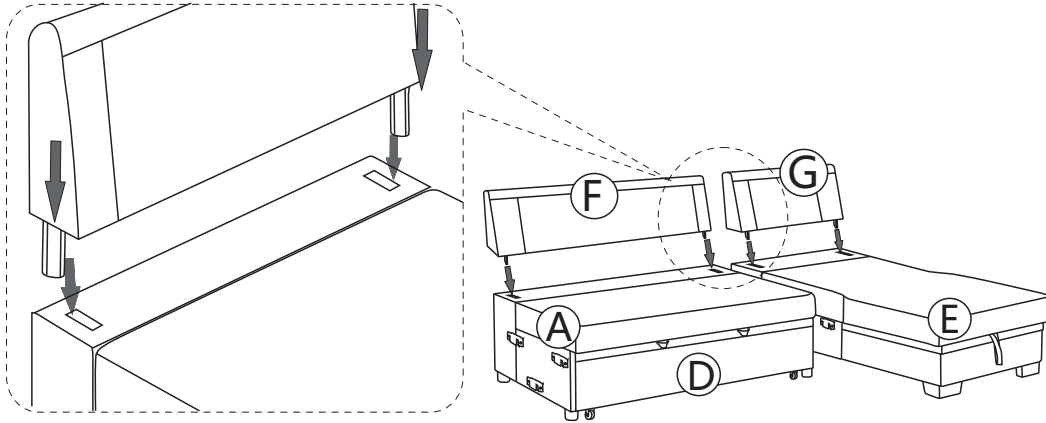
1. BOX-C
2. BOX-L
3. BOX-A

Step1-L/R

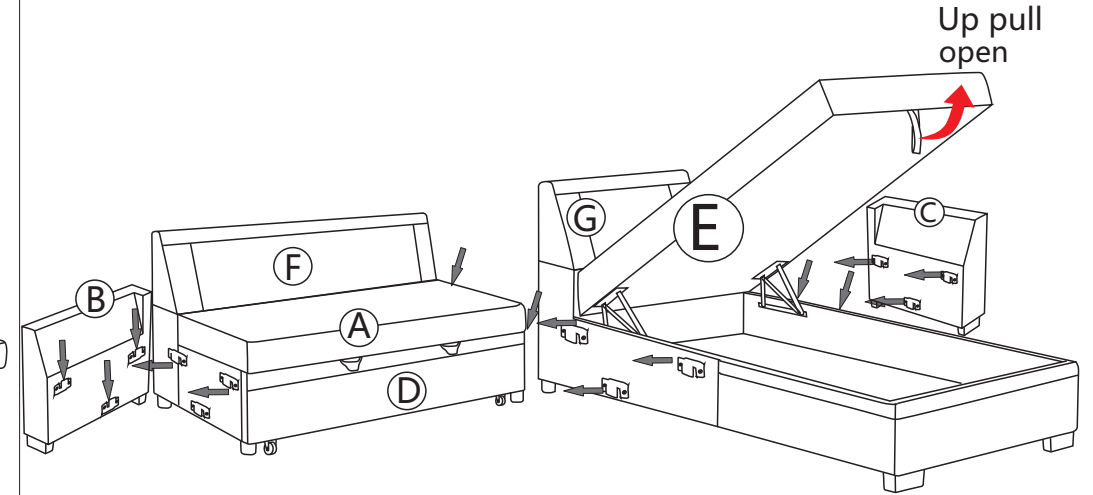


Step2-L/R

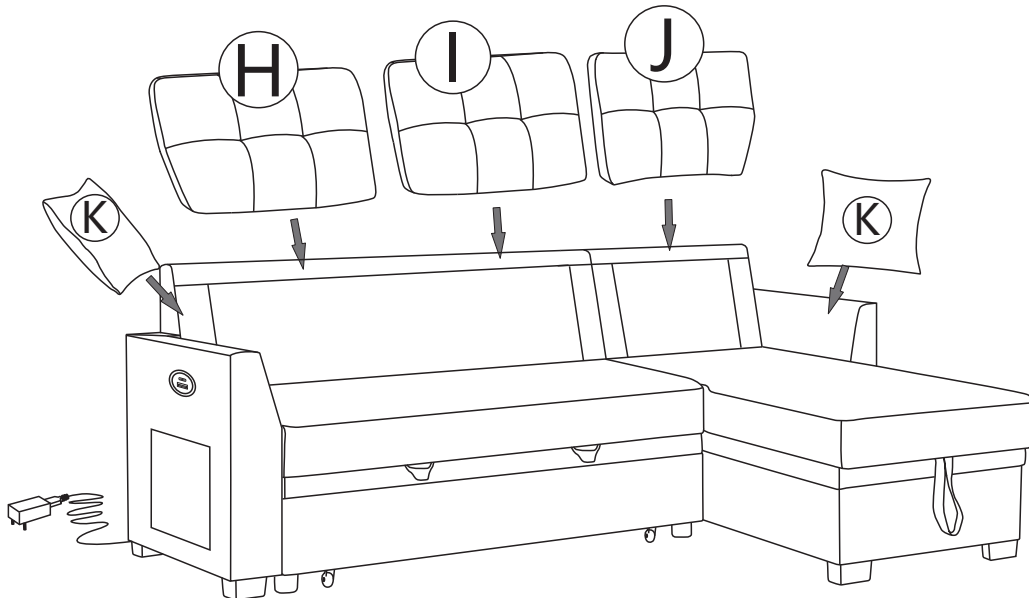
Please Make Sure Both Sides of the Backrest Make Alignment to the Slot Brackets And Inserted Down At The Same Time!



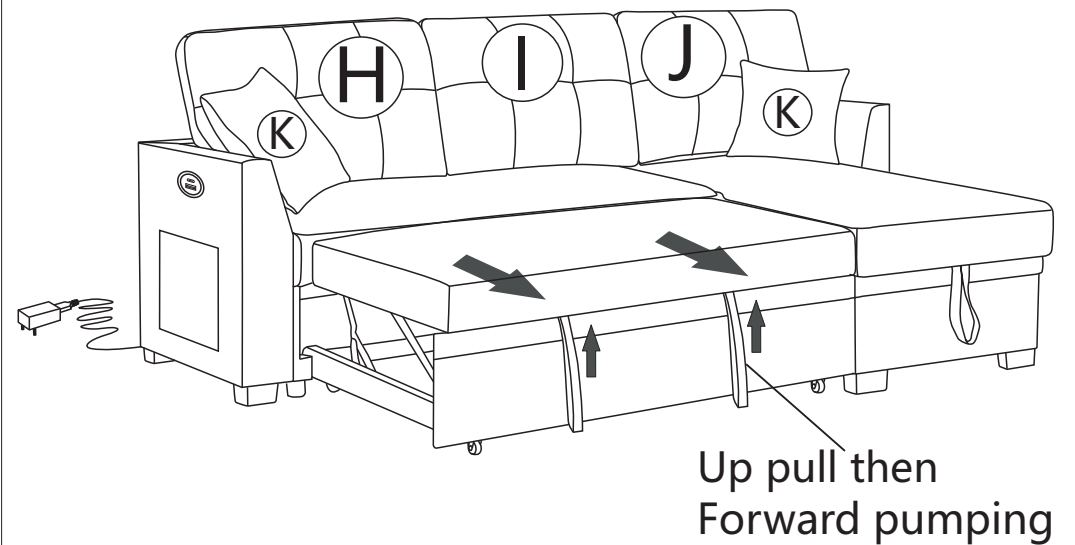
Step3-R



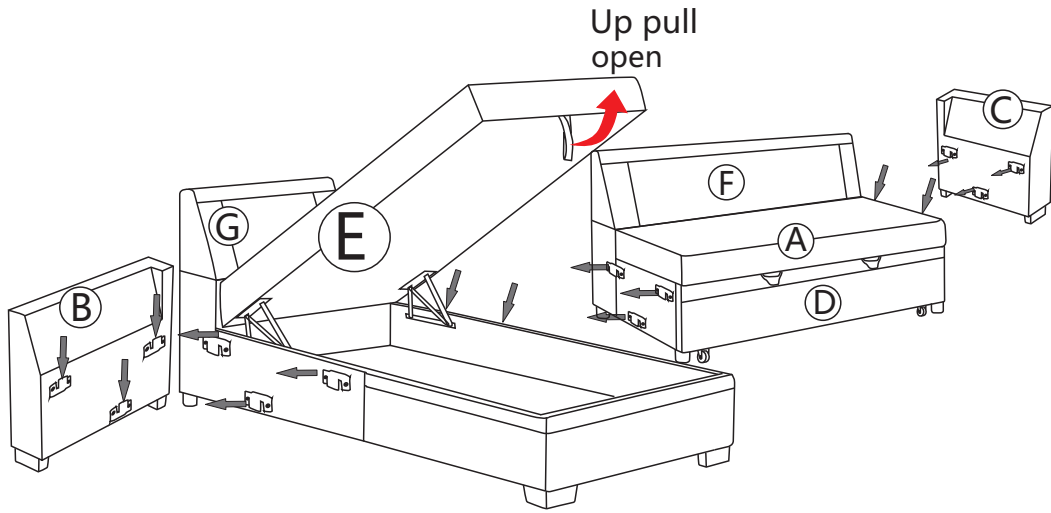
Step4-R



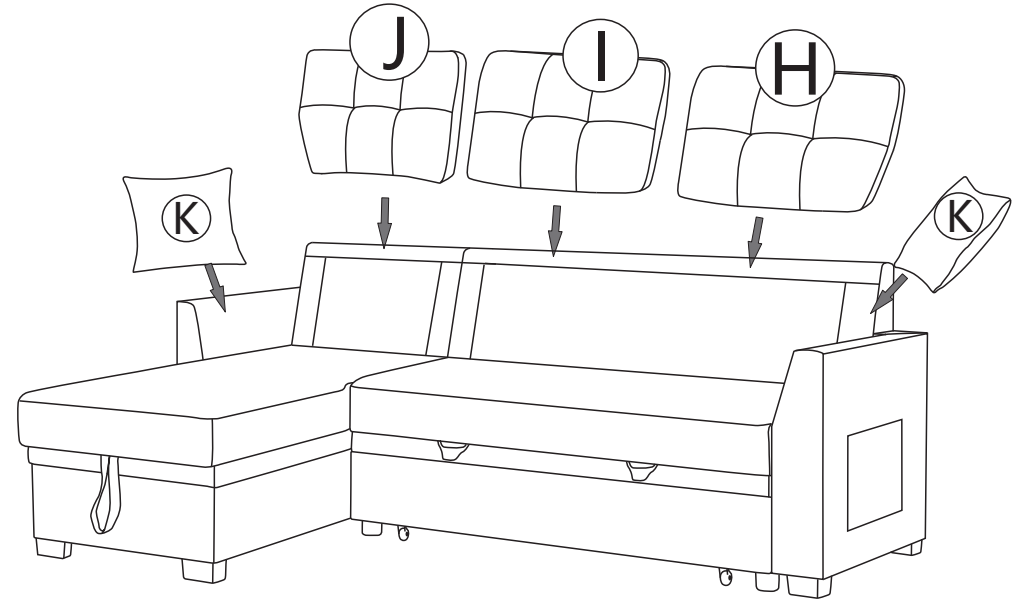
Step5-R



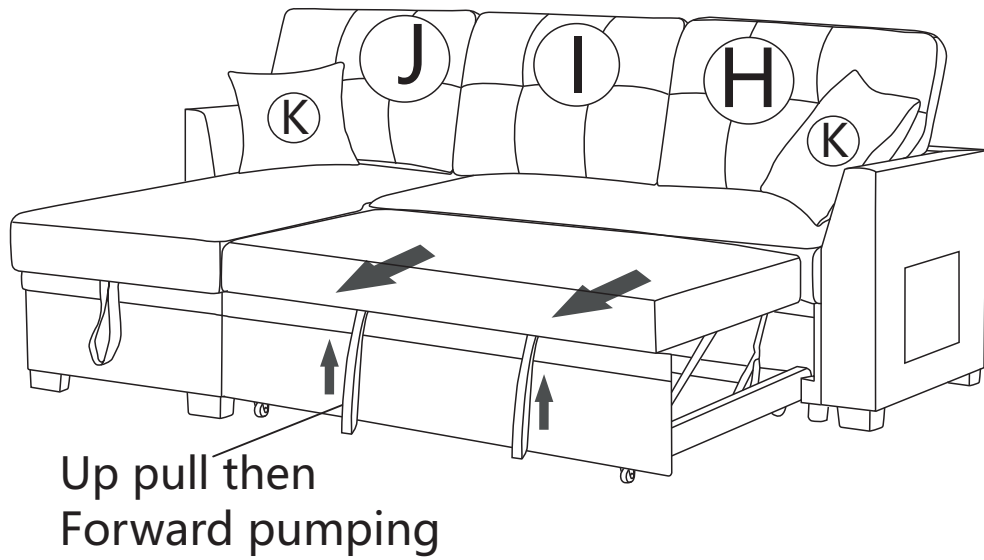
Step3-L



Step4-L



Step5-L



Step6-L

