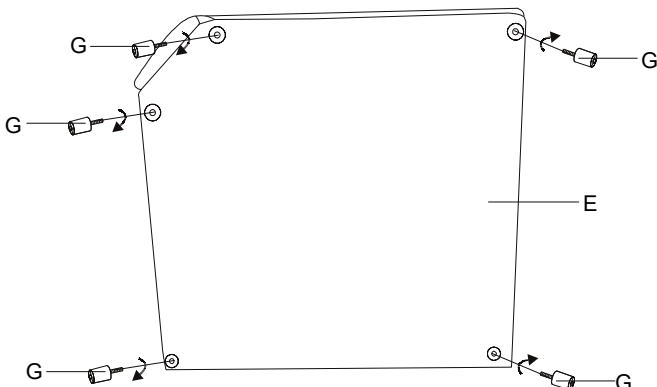
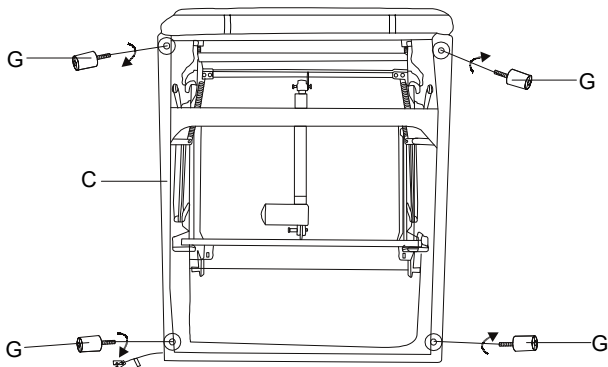
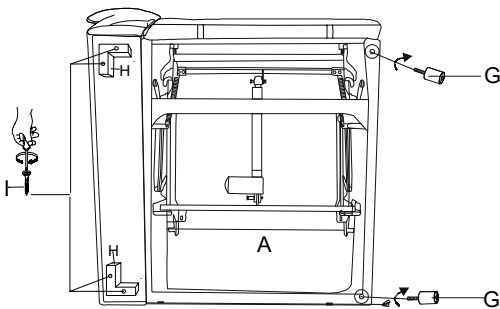


ASSEMBLY INSTRUCTIONS

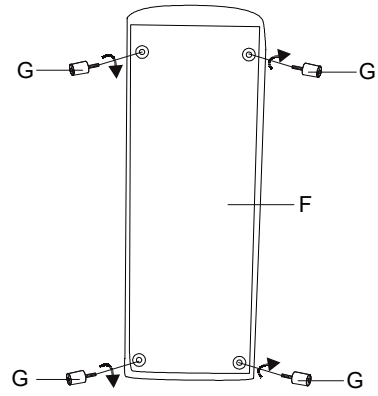
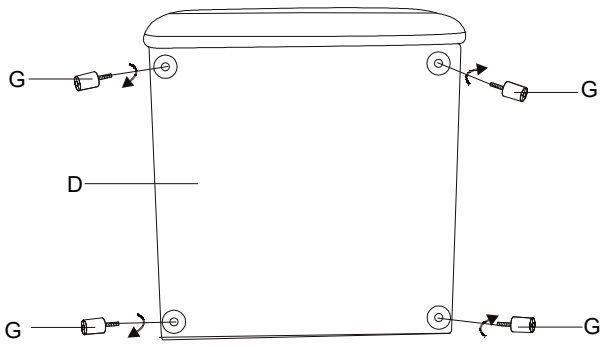
Thank you for purchasing this quality product. Be sure to check all packing material carefully for small parts that may have come loose inside the carton during shipment.

Attention: For the Recliner the wall plug transformer is packaged in a box , wood legs and plastic legs are packaged in a plastic bag , the bag attached the mechanism at the bottom of seat. For the Console the power cable , led light & plastic legs are packaged in a zipper compartment under the seat. For Armless chair & Wedge the plastic legs are packaged in a zipper com partment under the seat . For Dual Power Armless chair plastic legs are packaged in a plastic bag attached the mechanism at the bottom of seat. All can be located by following the red ribbon. Remove all from their packaging to be used in steps 1-4.

STEP 1: Attaching the legs: securely attach each leg seen below, be careful not to over tighten.

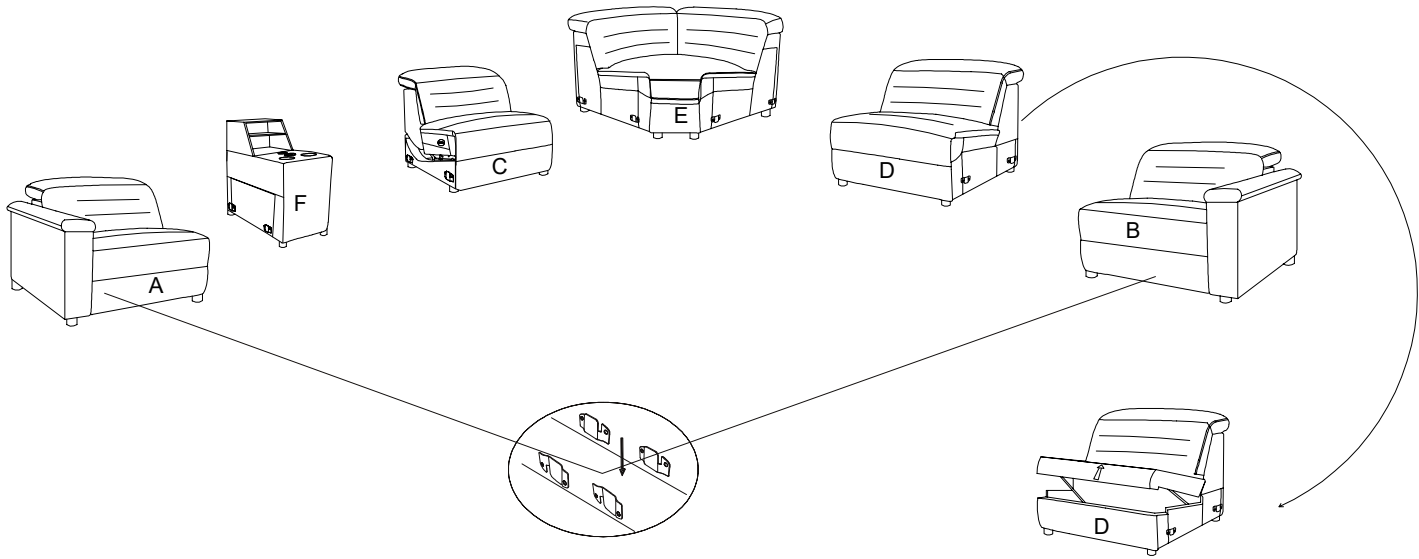


TOOLS REQUIRED: NO TOOLS REQUIRED			
PART LIST			QUANTITY
A	LAF RECLINER		1
B	RAF RECLINER		1
C	DUAL PWR ARMLESS RCLINER		1
D	ARMLESS CHAIR		1
E	WEDGE		1
F	CONSOLE BODY		1
G	ROUND PLASTIC LEG		2 each for the LAF/RAF DP Recliner 4 each for the Armlesschair/ DP ArmlessRecliner/console 5 for wedge
H	REC PLASTIC LEG		2 each for the LAF/RAF DP Recliner
I	WOOD SCREW		8 each for the LAF/RAF DP Recliner
J	WALL PLUG TRANSFORMER		LAF/RAF DP ArmlessRecliner/1 each
K	POWER CABLE 1 FOR WIRELESS CHARGE		1 for Console



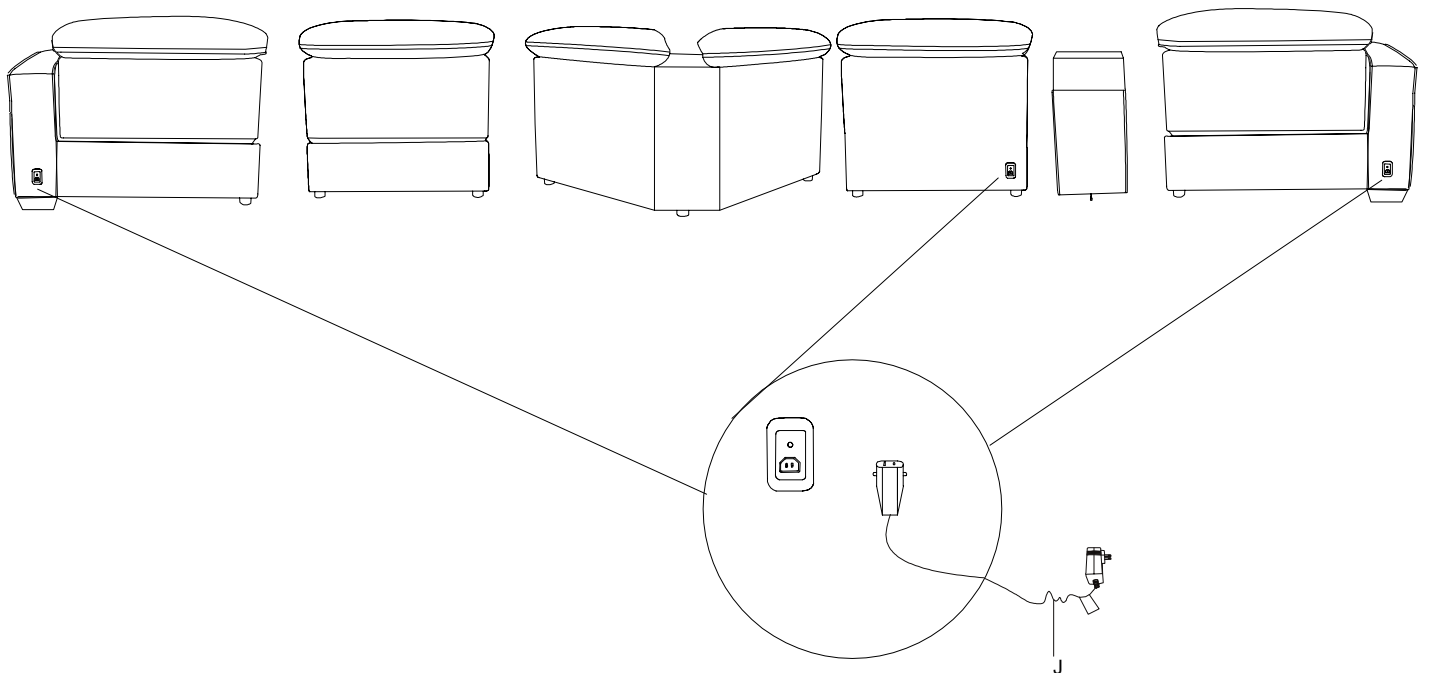
STEP 2: Sectional Connections

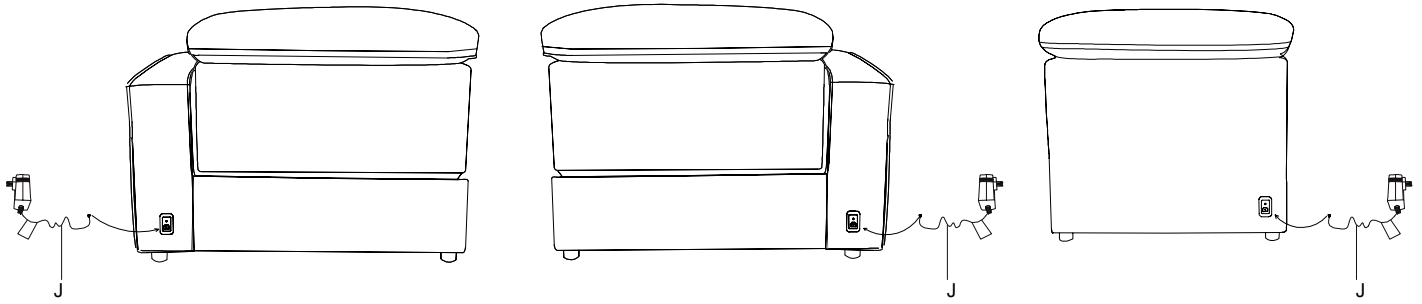
Place the pieces of your sectional in the location of their intended use. Using the pre attached sectional connectors begin connecting your sectional together working left to right as seen in the example below



Step 3 Connecting the Wall Plug Transformer

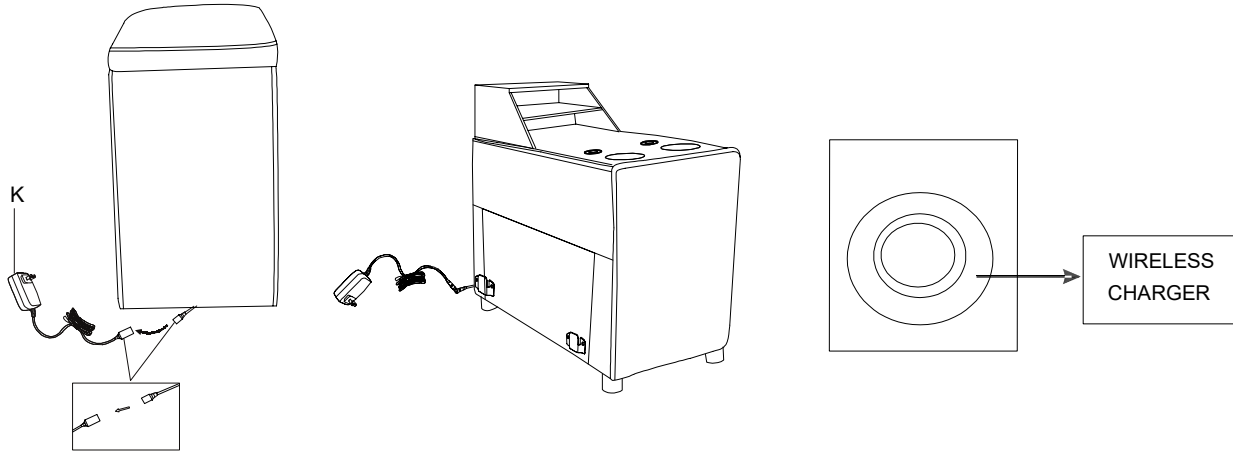
Attach the matching end of the wall plug transformer power cable to the power inlet located at the rear of each LAF/ RAF /Armless power recliner as seen below





Step 4: Connecting the power cable

Connect the power cable to the power outlet behind the console as below ,The USB Power Outlets is on the console, as seen below picture

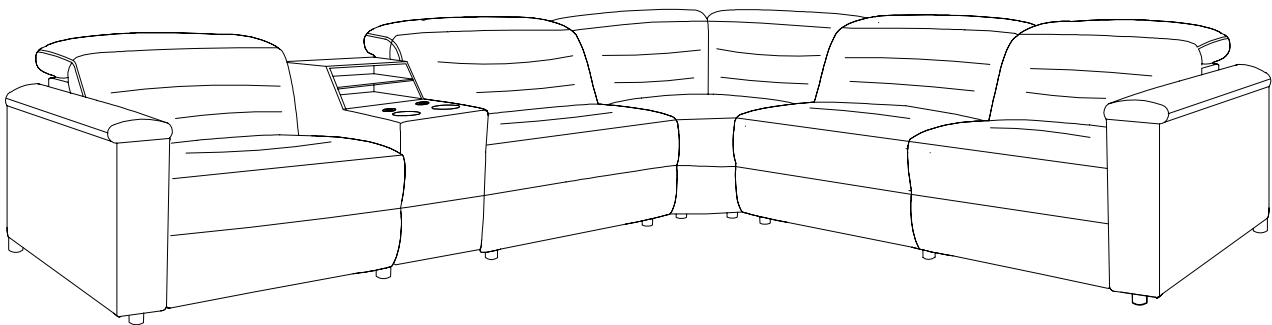


Do not plug the power source into a power outlet until your product is completely assembled and in position where you intend to use it

To help prevent shock and or damage to your product only plug the power transformers into a grounded outlet.

Read the operating instructions carefully before operating your power product!

After assembly is complete your product should look as seen below.



NOTES:

Weight Capacity 350 LBS.

Wall Clearance Required 3 Inches;

MADE IN VIETNAM

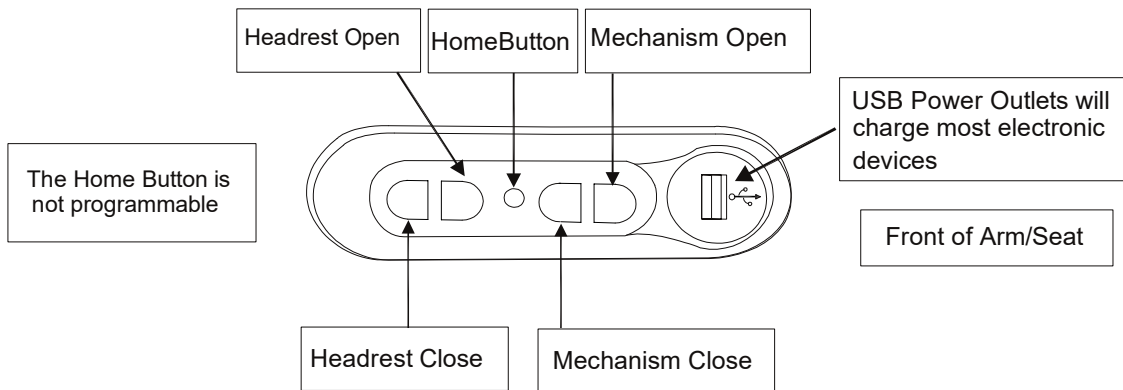
WARNING: Do Not allow children to play on or operate the mechanized equipment

WARNING: Care should be taken to assure there is nothing in the path of the mechanism before and during operation

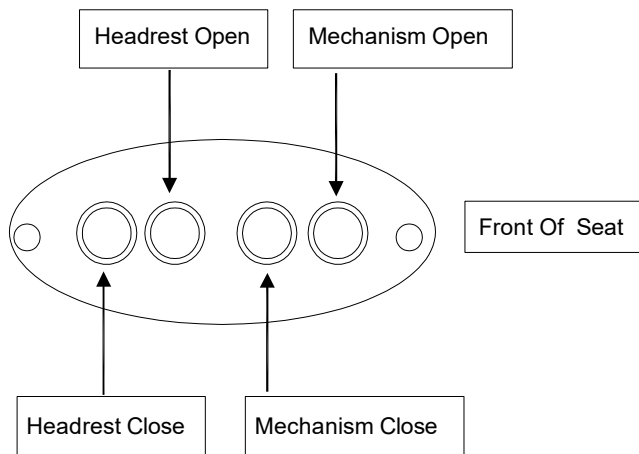
Operating Instructions for the Bridgeport Dual Power Recliner

Caution: Read the Important instructions below before operating your power mechanized equipment
Do not allow children to play on or operate this power mechanized equipment

53016(LAF DP RCLNR/RAF DP RCLNR)



53016 (DP ARMLS RCLNR)



Care should always be taken to assure there is nothing in the path of the mechanism before and during operation

Open and Close Buttons

The open and close buttons will operate the function noted above by simply touching the button. To stop the mechanism in your desired position simply remove your finger from the button

Home Button

The Home button will close/return both the headrest and reclining mechanism to the closed position at the same time simply by pressing on the button. To stop the functions simply remove your finger from the button