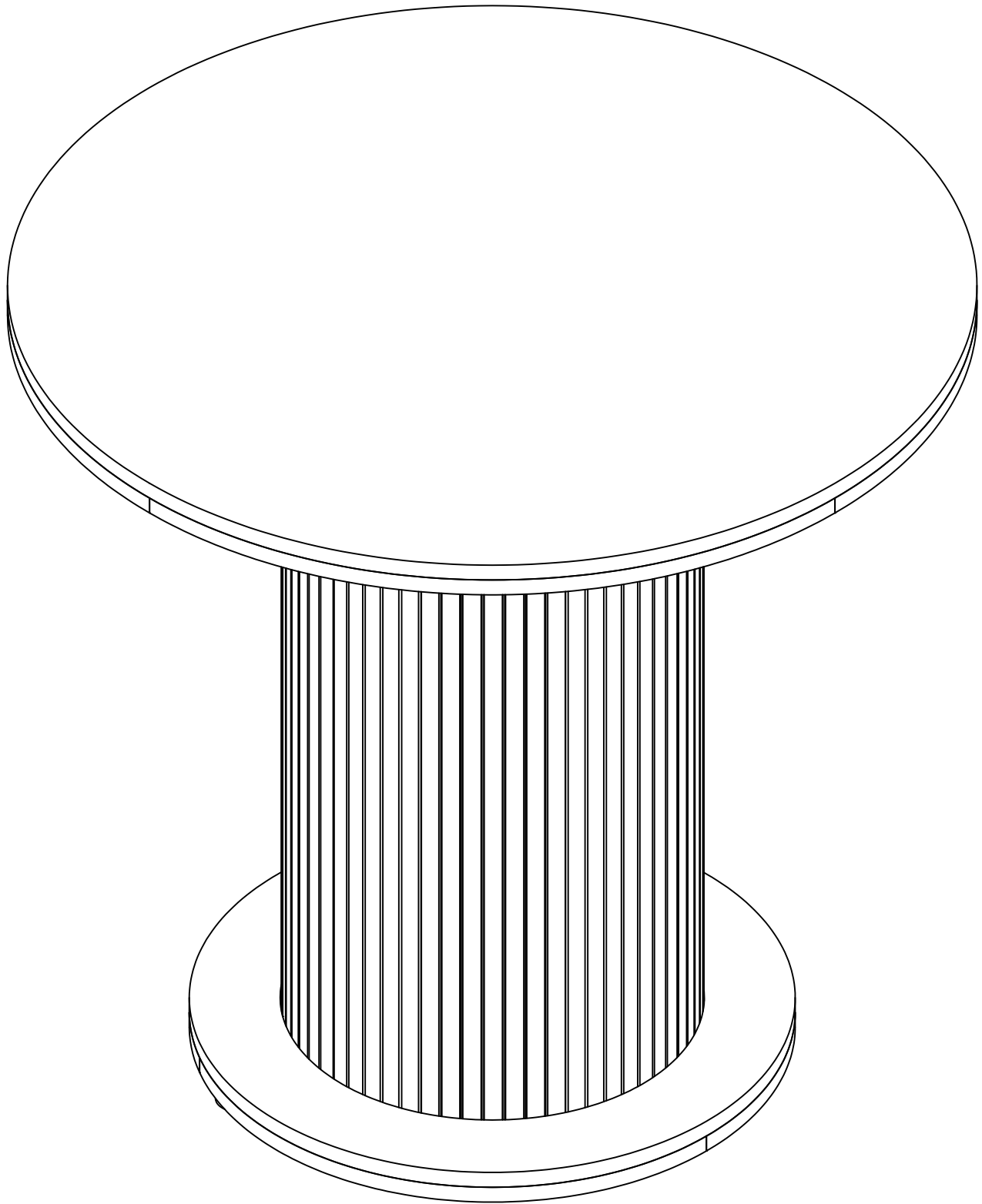
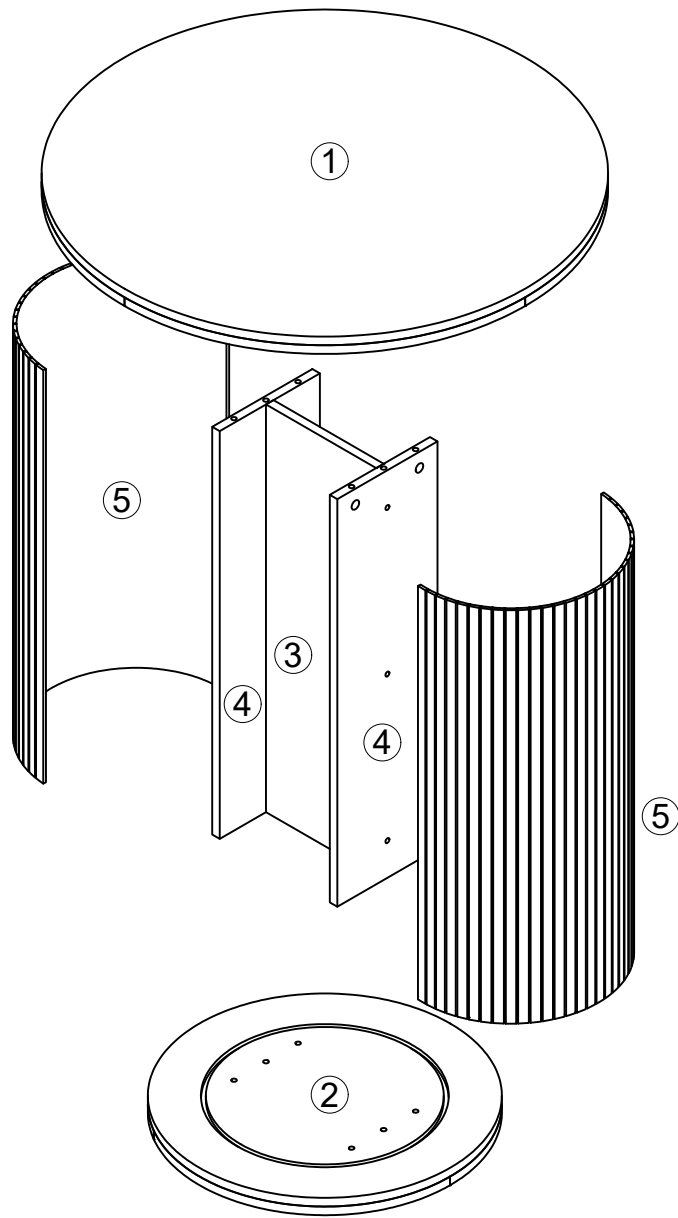


Installation & Assembly





A	x4
M6*35mm	

B	x4
φ15mm	

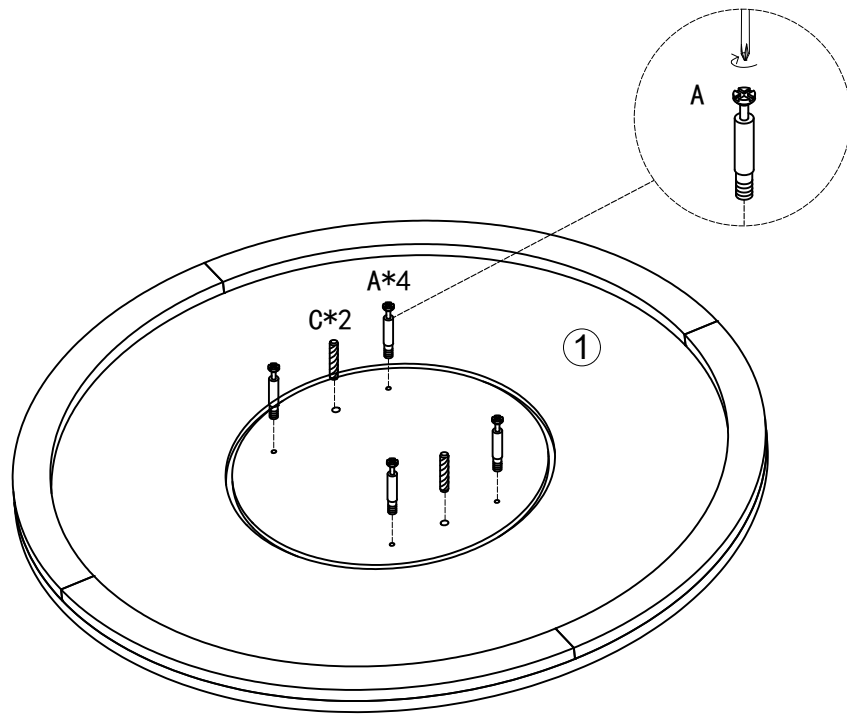
C	x8
φ8*30mm	

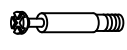

D	x10
M7*50mm	

E	x1
M4	

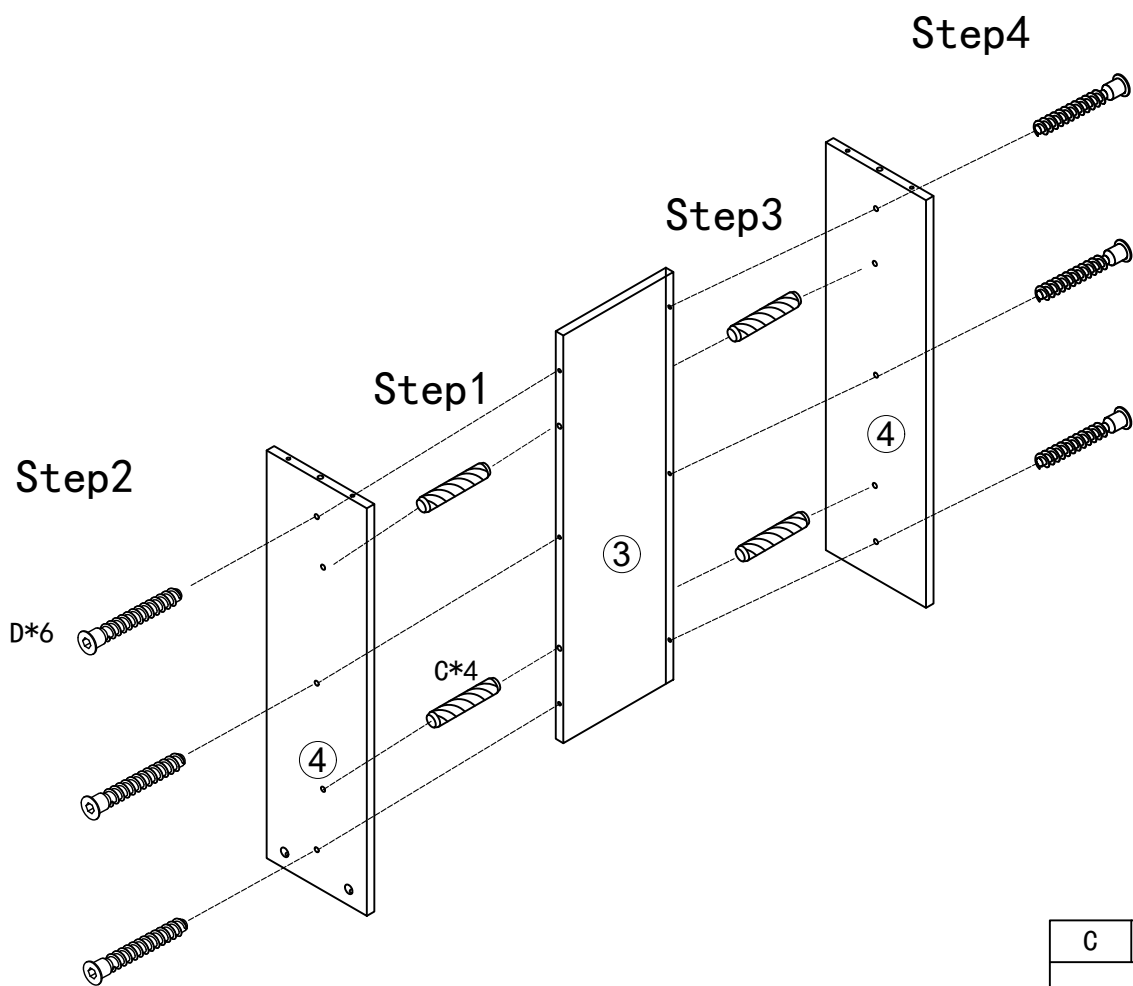
F	x4
φ40	



1



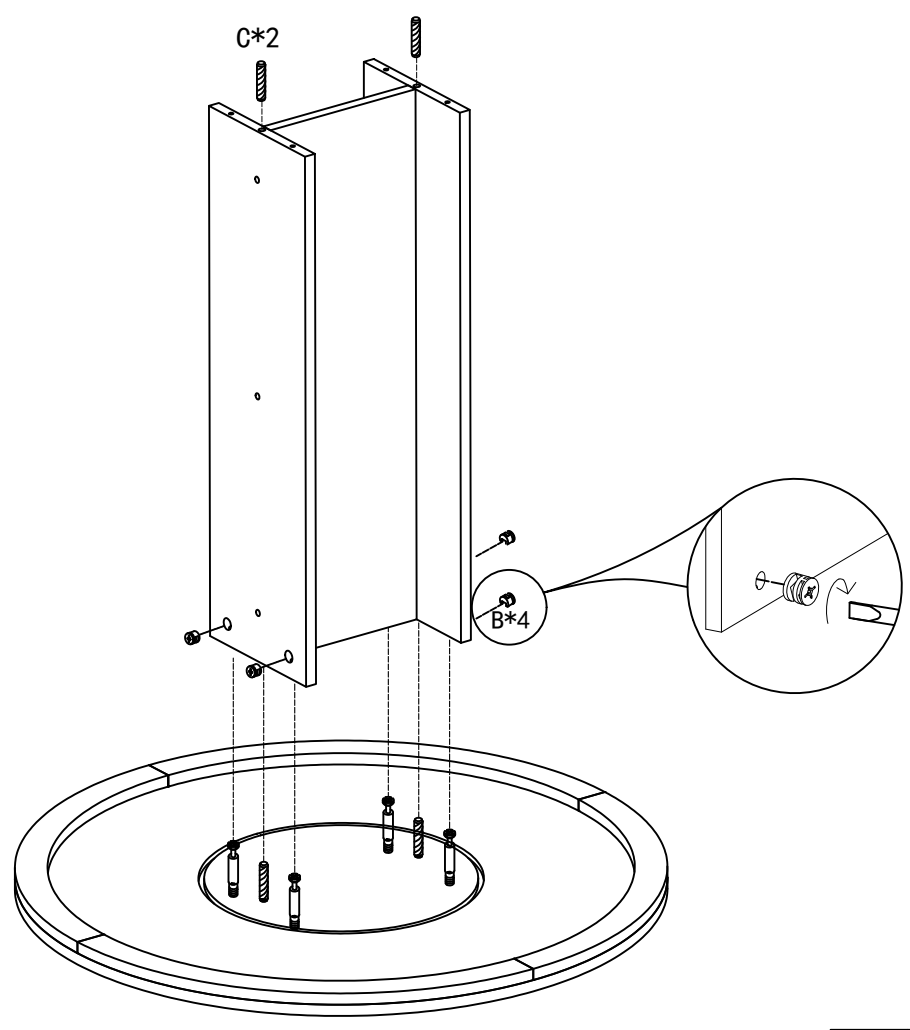
A	x4	C	x2
			
M6*35mm		ø8*30mm	

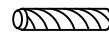

2



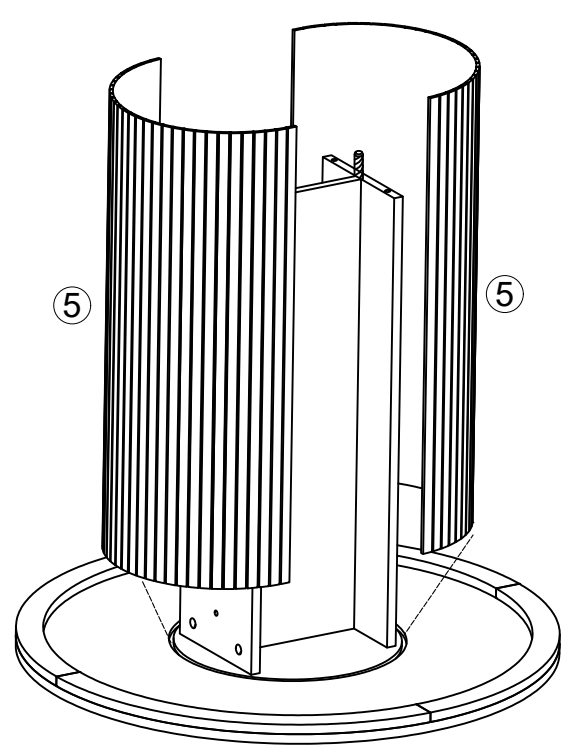
C	x4	D	x6
			
ø8*30mm		7*50mm	

3

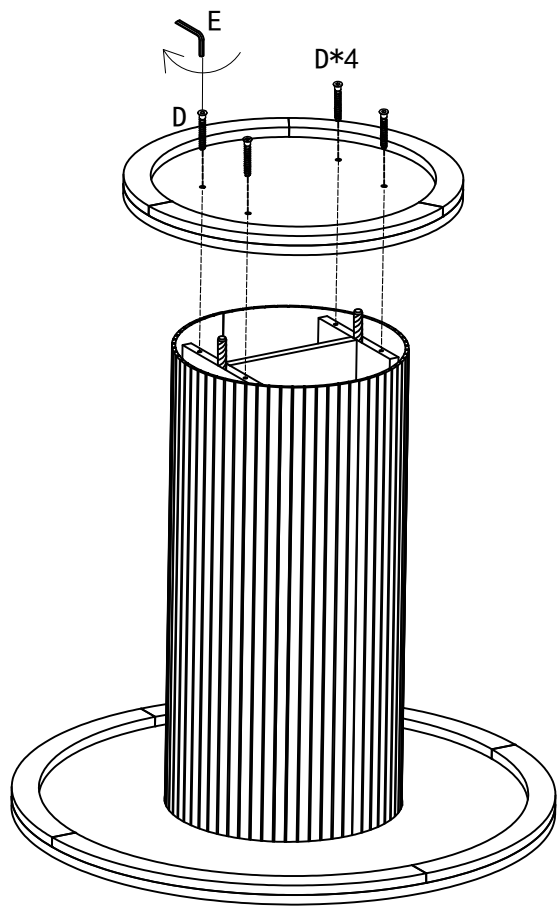




C	x2	B	x4
			
ø8*30mm		ø15mm	

4

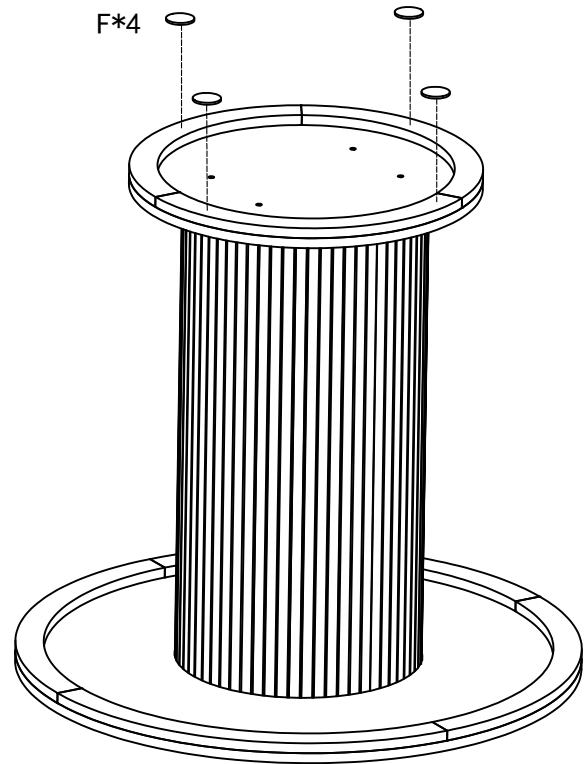



5



E	x1	D	x4
			
M4		M7*50mm	

6



F	x4
	
φ40	