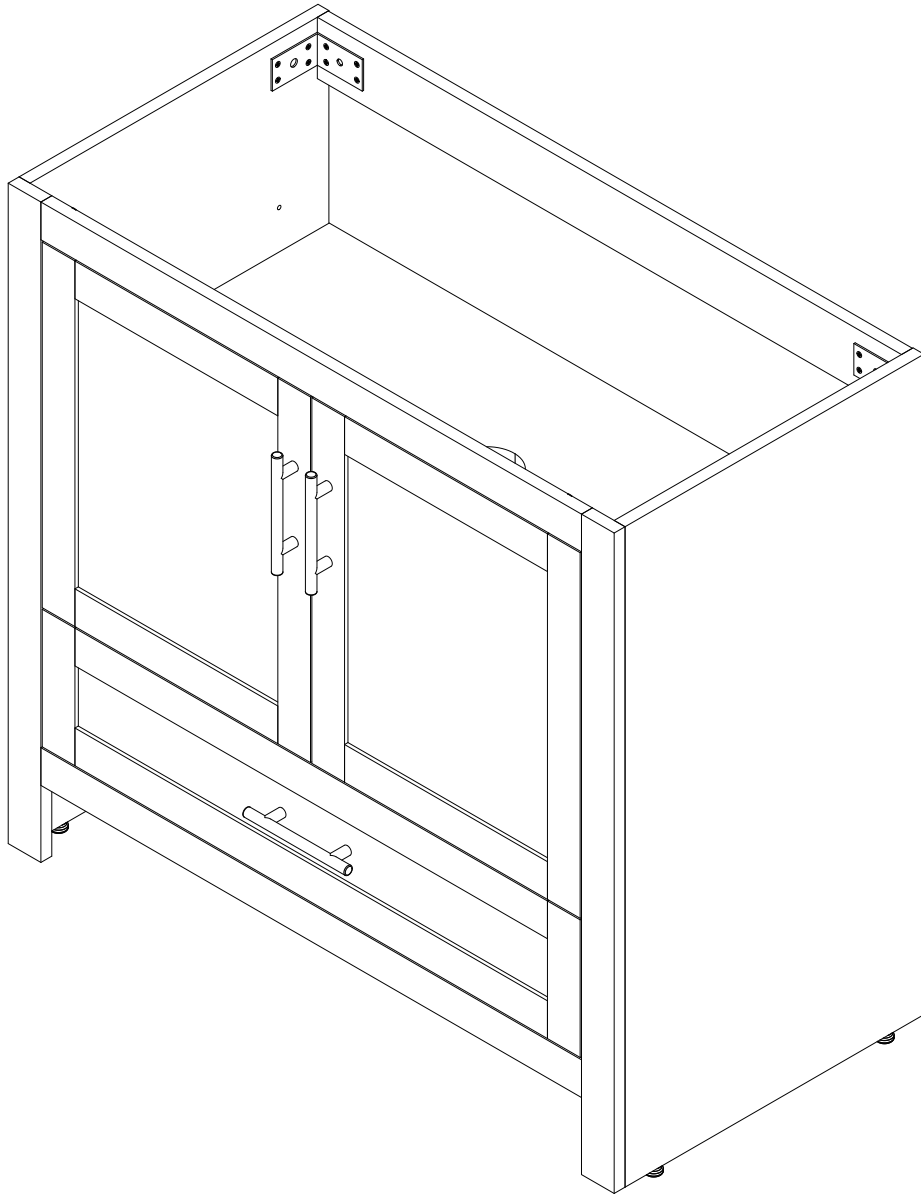



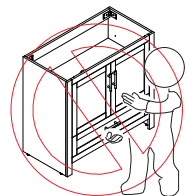
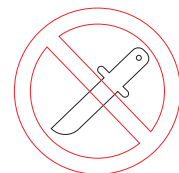
Owner Manual



 **WARNING:** Heavy object. Risk of injury if dropped.

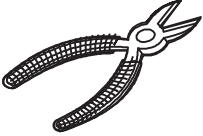
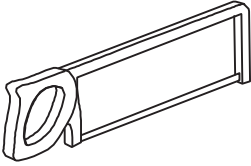
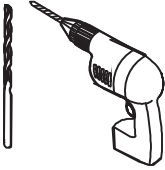
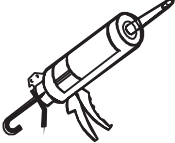
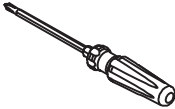
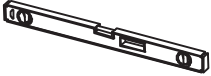
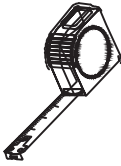

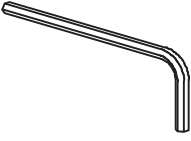

 **CAUTION:** Fragile material. Handle with care to avoid chipping or cracking.

 **NOTICE:** Do not over-tighten screws, as this may crack the cabinet material.



We recommend installation by two or more people.

Tools Required (Required but not included)

		 1/4 inch 5/16 inch 3/8 inch		
Cutting Plier	Hack Saw	Drill	Caulk Gun	Screwdriver
				
Level	Tape Measure	Pencil	Allen Key	Mallet

- Please ensure you have all the necessary tools before starting the installation. Using the wrong tools may damage the product or result in improper installation.

Safety & Pre-Installation

- **Wall Reinforcement:** "For wall-mounted units, ensure the wall is a load-bearing structure. If installing on drywall, internal timber or metal stud reinforcement is mandatory."
- **Check for Utilities:** "Before drilling, verify the location of electrical wires and water pipes behind the wall to avoid damage or injury."
- **Professional Installation:** "It is highly recommended that this product be installed by a licensed plumber or professional contractor."
- **Two-Person Lift:** "Due to the weight and fragility of the vanity/basin, always use two people to lift and move the unit."

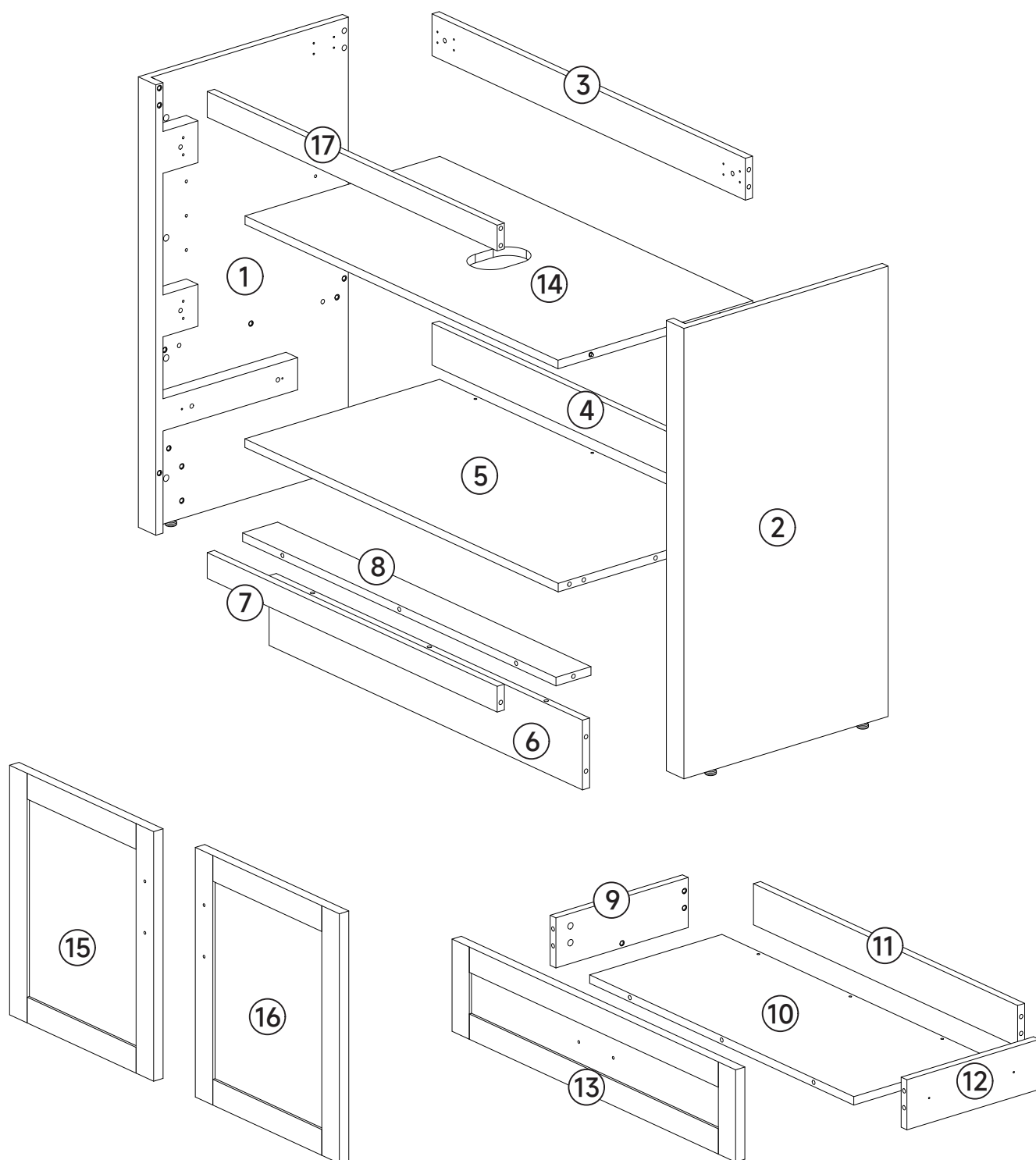
Essential Installation Notes

- **Leveling:** "Ensure the cabinet is perfectly level using a spirit level before securing it to the wall. Uneven installation may cause door misalignment or drainage issues."
- **Silicone Sealing:** "Apply high-quality anti-mold silicone sealant to all edges where the basin meets the cabinet and where the vanity meets the wall."
- **Curing Time:** "Do not use the vanity or allow water contact for at least 24 hours to allow the silicone to fully cure."
- **Hinge Adjustment:** "Cabinet doors and drawer fronts can be fine-tuned via the adjustable hinges to ensure perfect alignment."

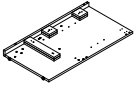
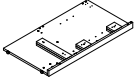


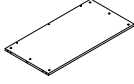




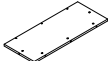


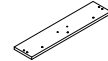
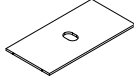

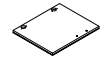

Maintenance & Care

- **Avoid Harsh Chemicals:** "Do not use abrasive cleaners, bleach, or scouring pads on the vanity surface or hardware, as they may damage the finish."
- **Water Exposure:** "While the vanity is moisture-resistant, it is not waterproof. Wipe away any standing water or spills immediately with a dry, soft cloth."
- **Ventilation:** "Maintain adequate ventilation in the bathroom to prevent excessive humidity buildup."


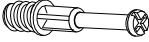

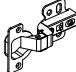

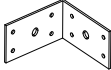




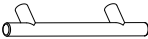
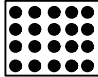


Detailed Diagram of Bathroom Vanity Components



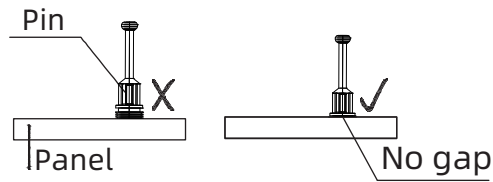
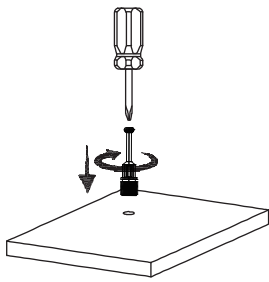
Parts And Hardware Listing

ITEM	NAME	QTY	PICTURE
①	Left side panel	1	
②	Right side panel	1	
③	Top pull bar	1	
④	Pull the bottom bar	1	
⑤	Base plate	1	
⑥	Front trim	1	
⑦	Lower horizontal beam	1	
⑧	Forward pull	1	
⑨	Left drawer	1	
⑩	Pull-out bottom plate	1	
⑪	Rear panel	1	
⑫	Right drawer	1	
⑬	Contains drawers	1	
⑭	Movable Shelves	1	
⑮	Left frame door panel	1	
⑯	Right frame door panel	1	
⑰	Upper horizontal	1	

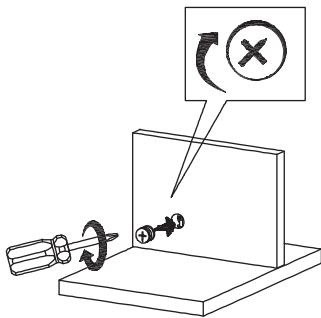
Parts And Hardware Listing

ITEM	NAME	QTY	PICTURE
A	Cam Lock	45	
B	Cam Bolt	45	
C	Wood Dowel	4	
F	Door Hinge	4	
G	Drawer Slide	2	
H	L-shaped Metal Plate	2	
I	Handle Screw $\varnothing 4 \times 14 \text{mm}$	48	
J	Handle Screw $\varnothing 4 \times 30 \text{mm}$	6	
K	Left Side Panel $\varnothing 4 \times 22 \text{mm}$	4	
L	Left Side Panel $\varnothing 4 \times 16 \text{mm}$	2	
M	Handle $150 \times 33 \text{mm}$	3	
R	Sticker	58	
S	Hollow Wall Plugs $\varnothing 10 \times 60 \text{mm}$	2	
T	Fixing Screws $\varnothing 6 \times 80 \text{mm}$	2	

CAM BOLT INSTALLATION AS BELOW:

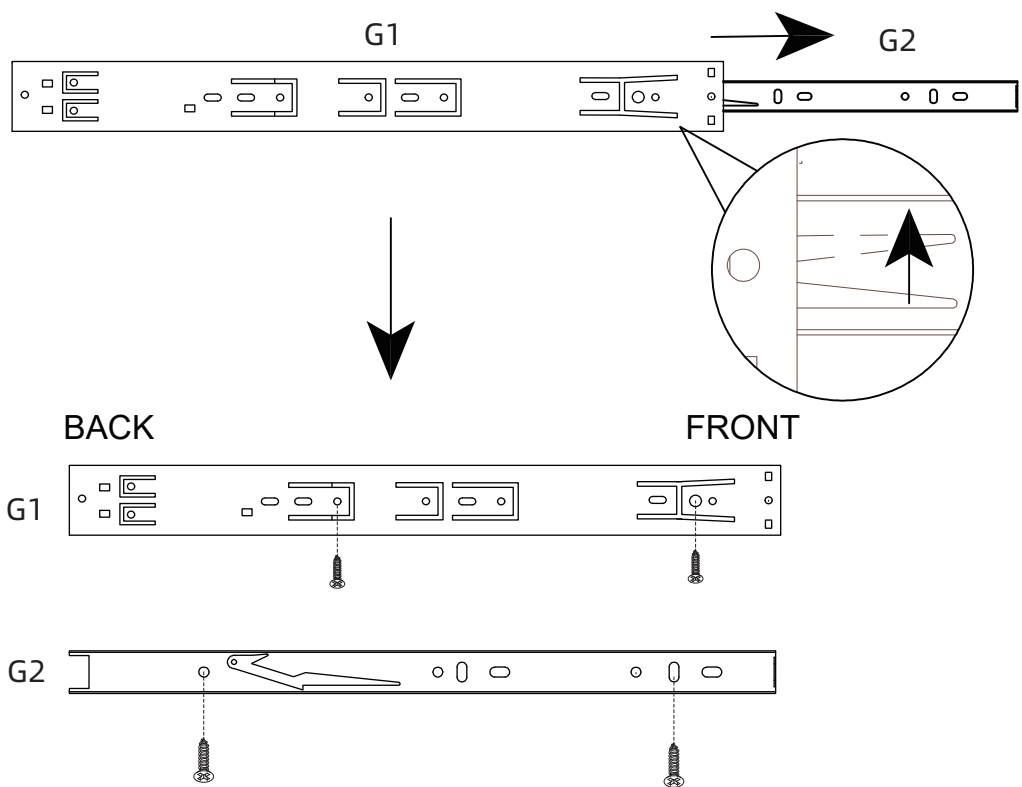


	Cam bolt
	Connecting piece

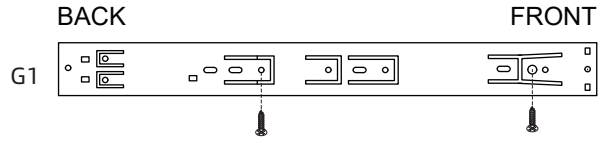


Rotate connecting piece if found in the position illustrated above.	Correct orientation to receive bolts.

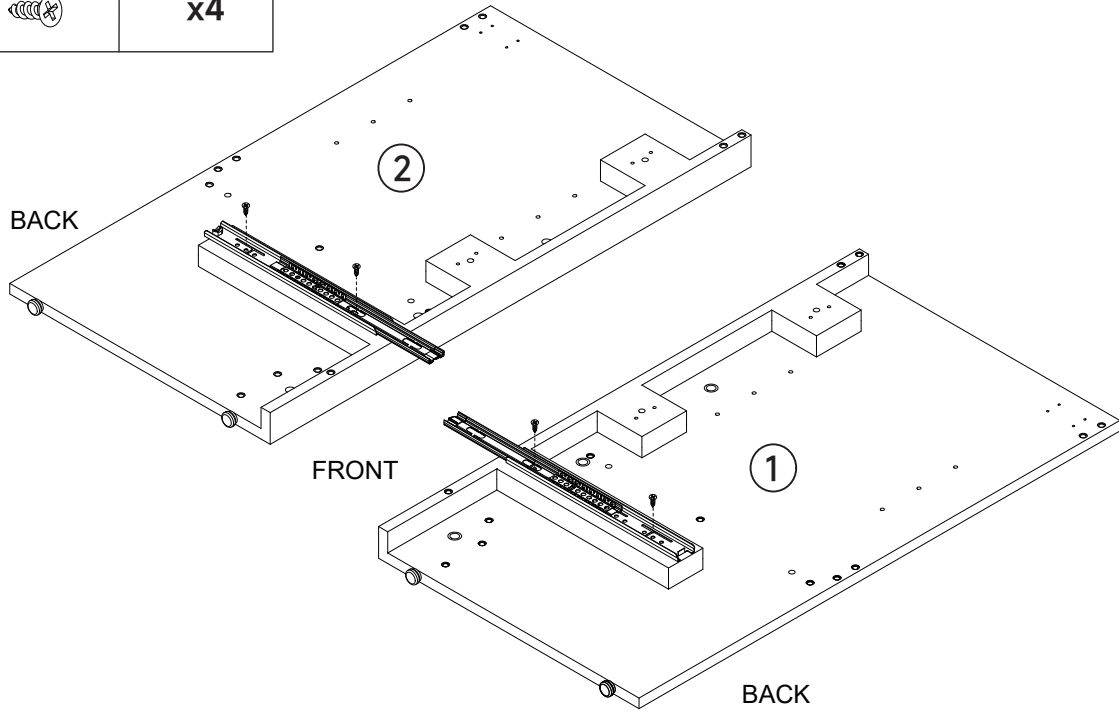
STEP 1.1



STEP 1.2

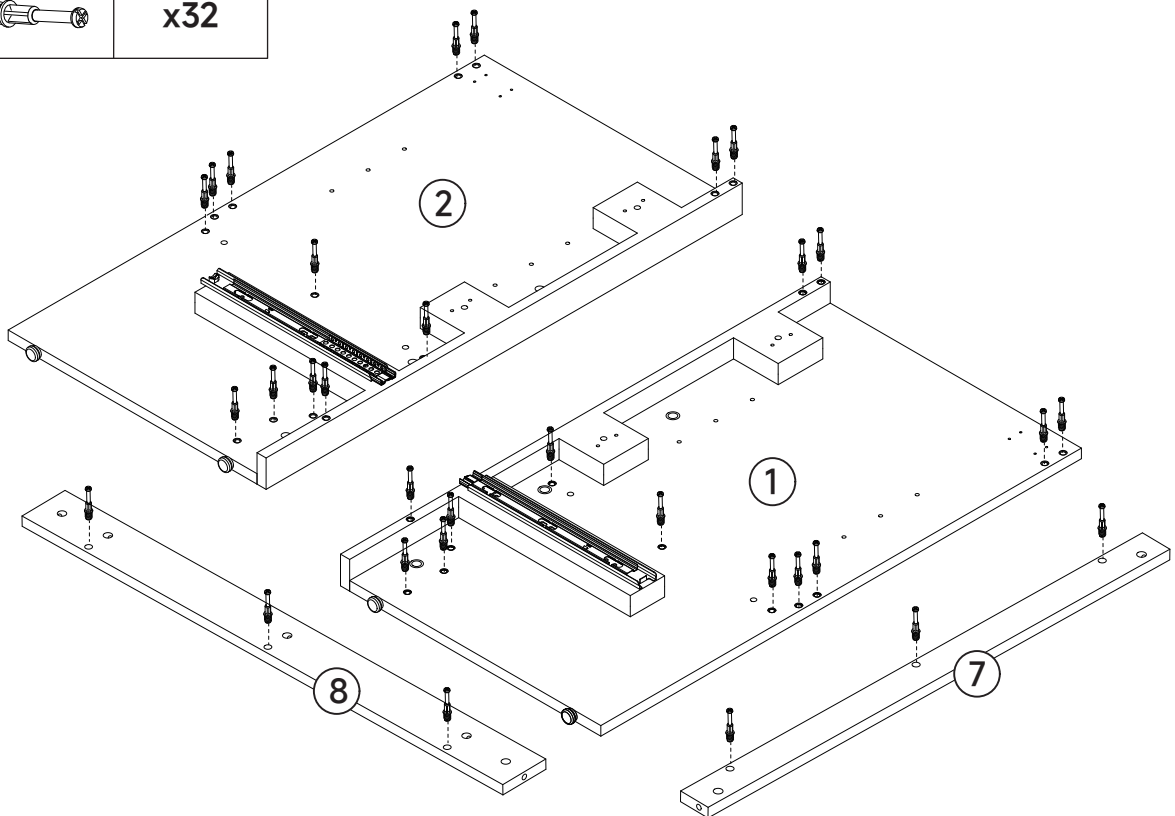


G1		x2
ⓐ		x4



STEP 2.

Ⓑ		x32
---	--	-----

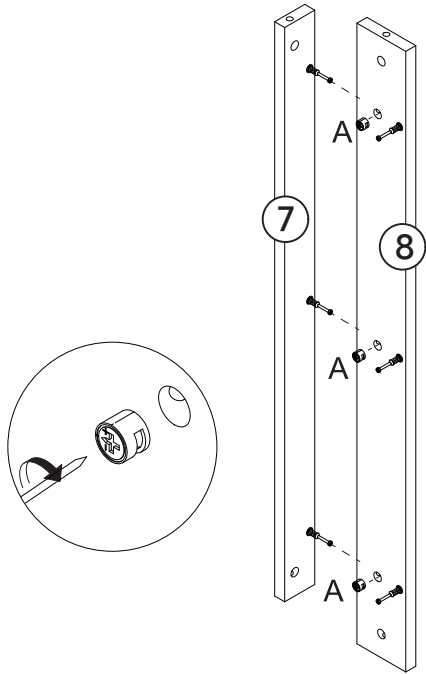


STEP 3.

(A)



x3

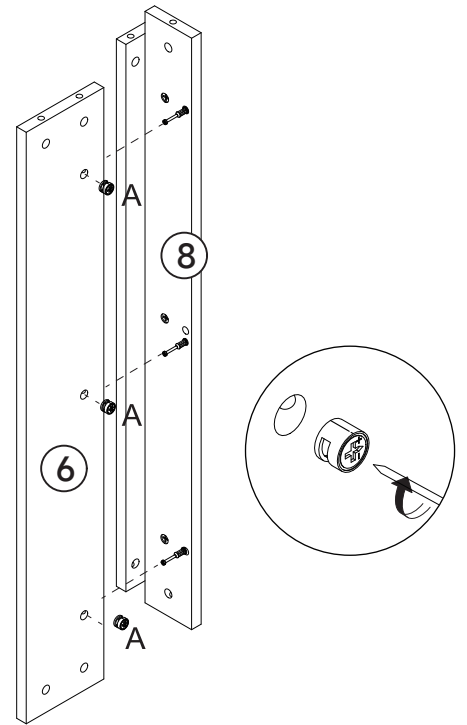


STEP 4.

(A)



x3

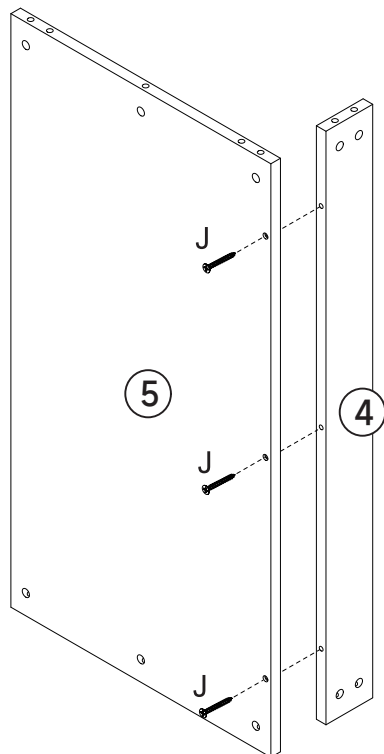


STEP 5.

(J)



x3

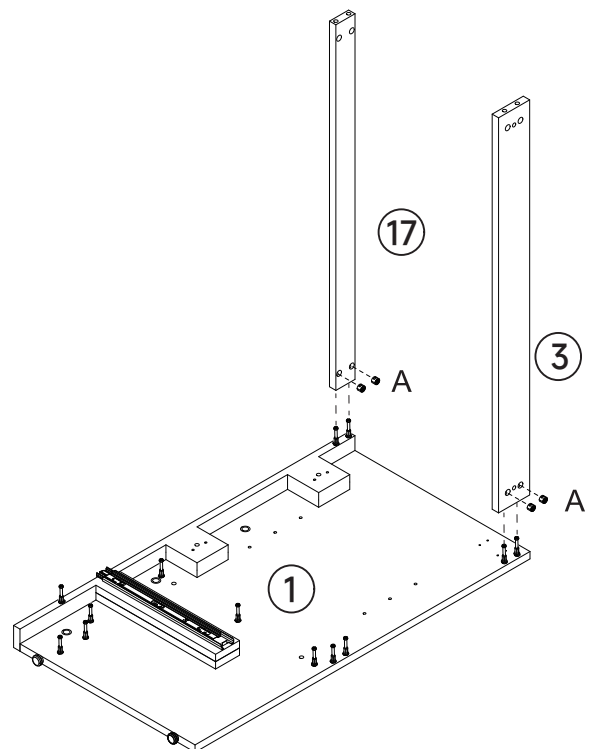


STEP 6.



(A)

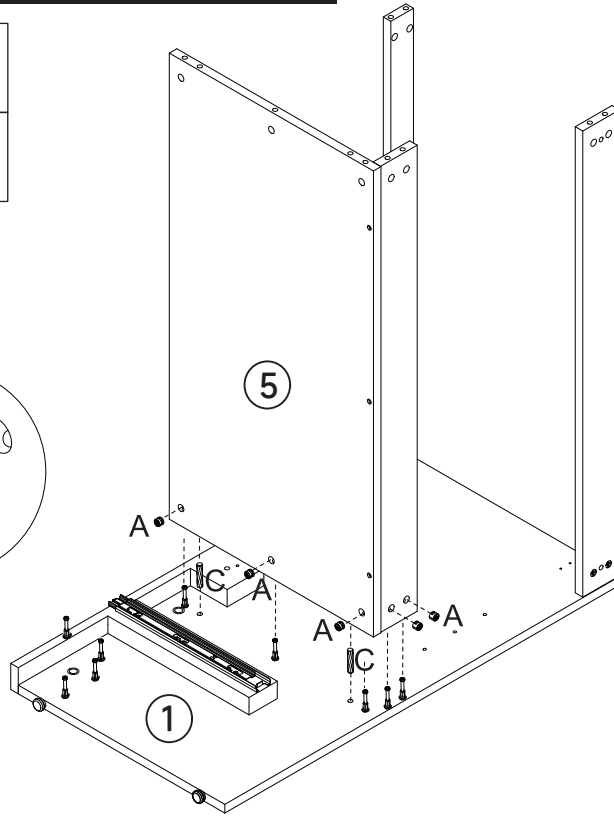
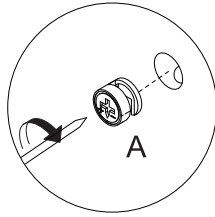


x4



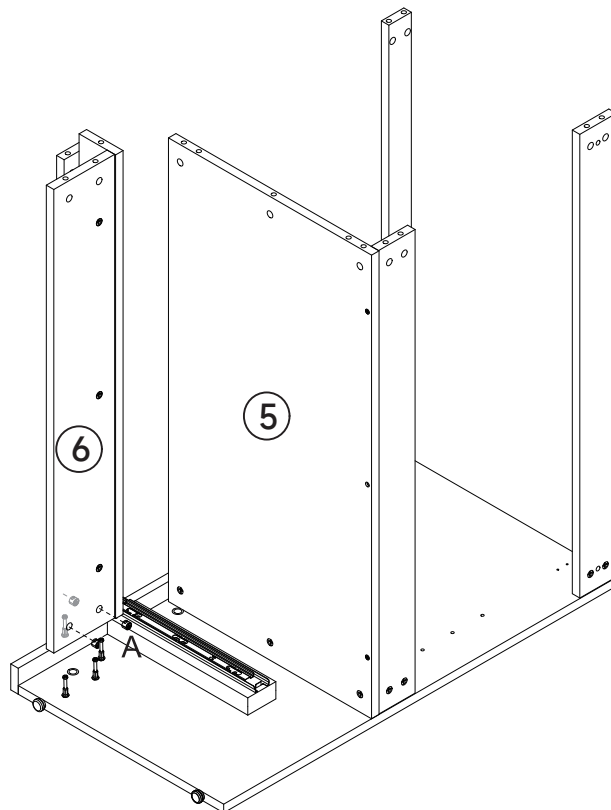
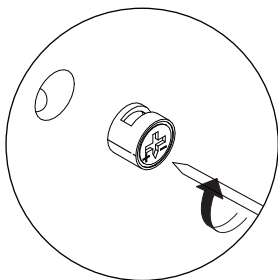
STEP 7.

A		x5
C		x2





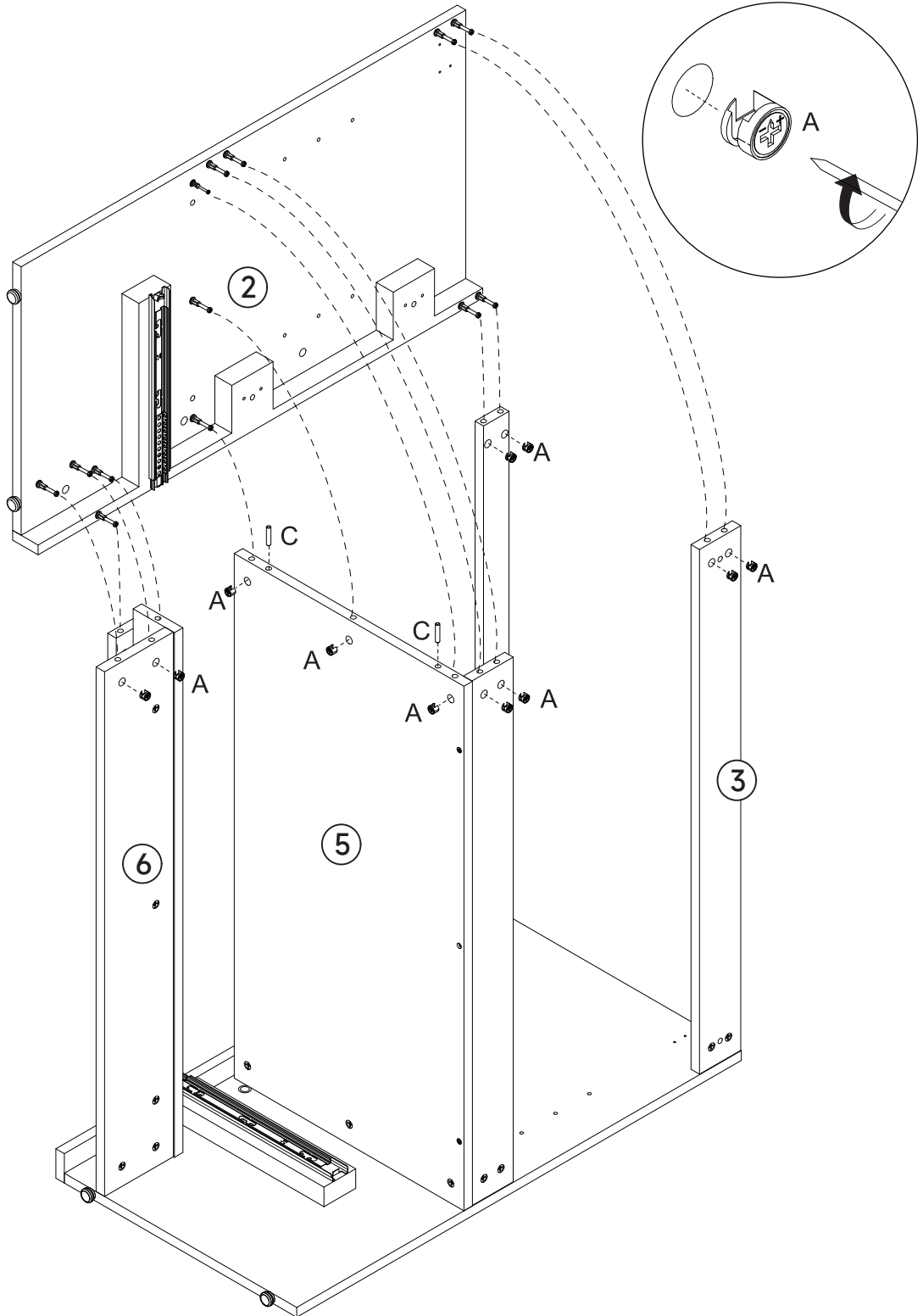
STEP 8.

A		x4
---	---	----


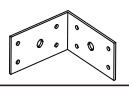

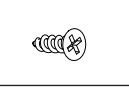


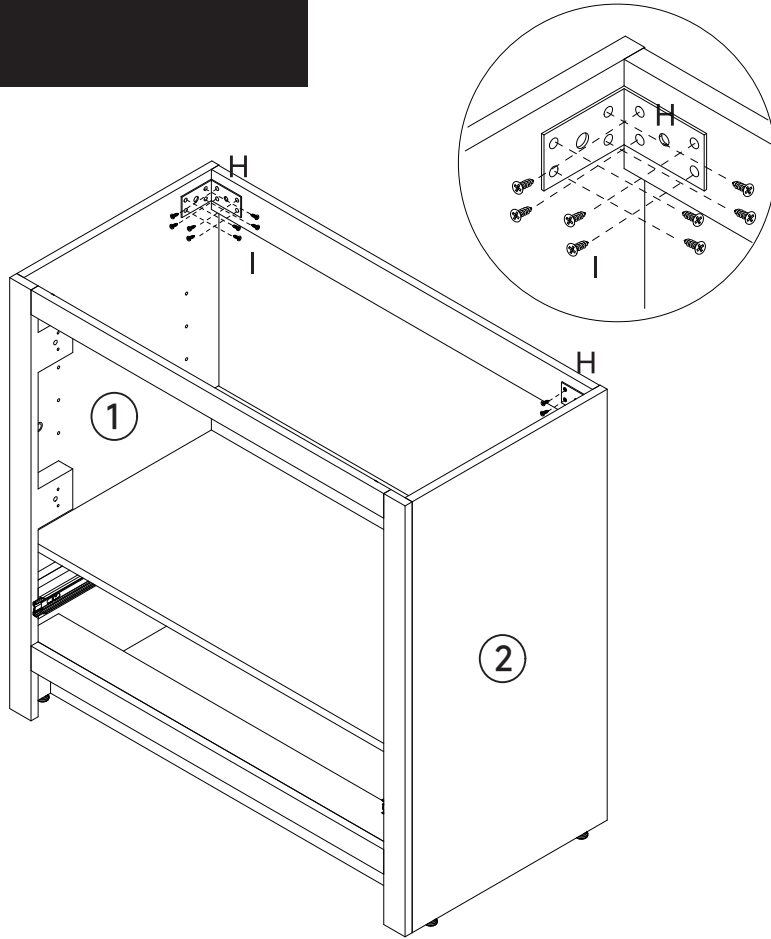
STEP 9.

A		x13
C		x2



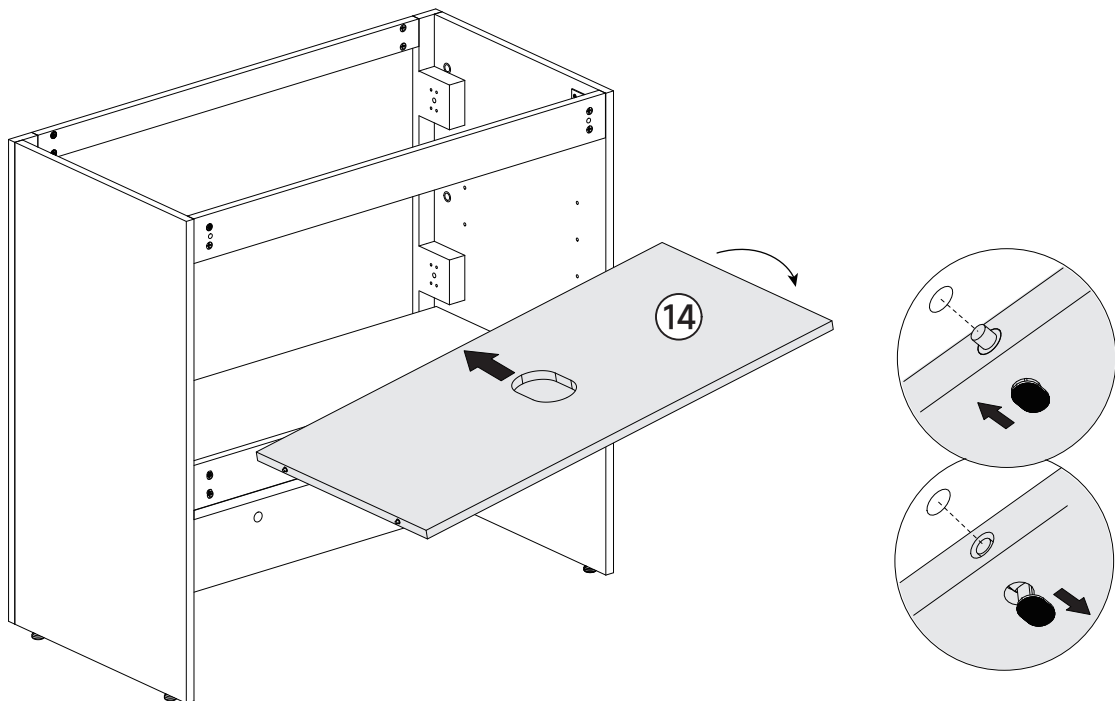
STEP 10.

		x2
		x8

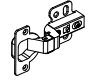



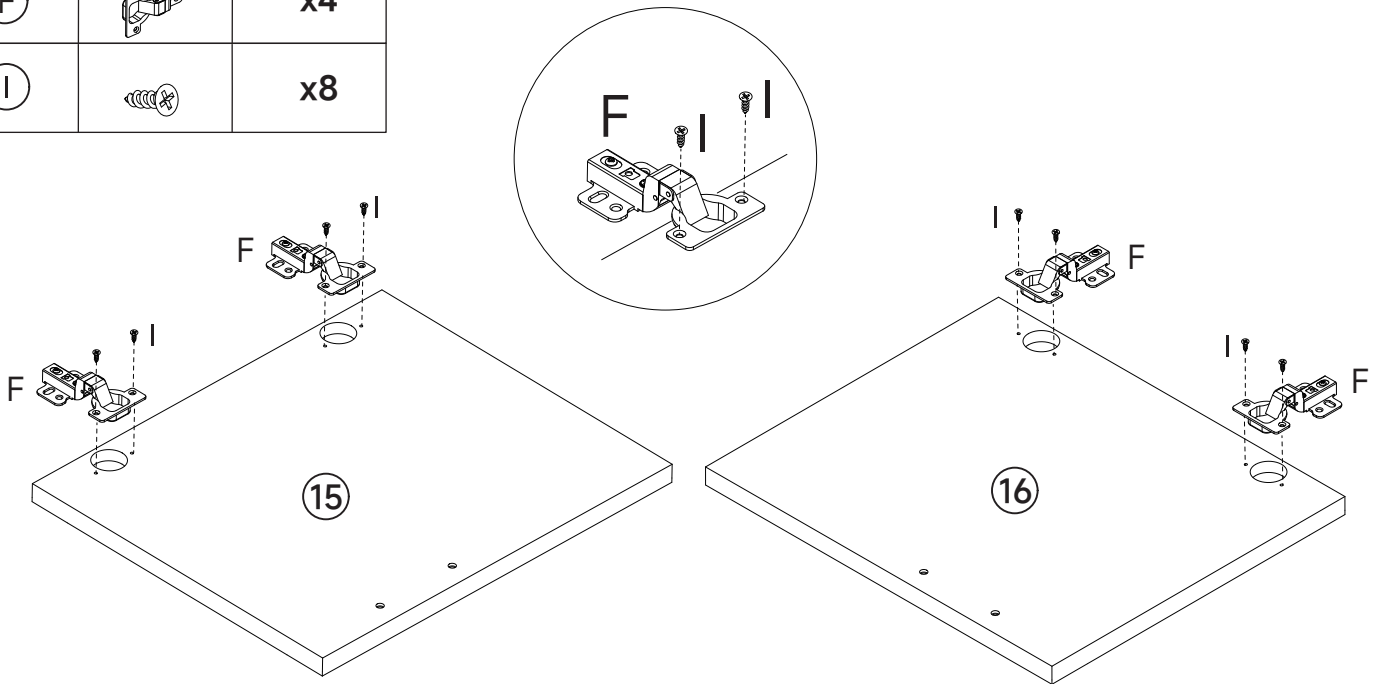
STEP 11.

Three adjustment methods


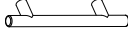


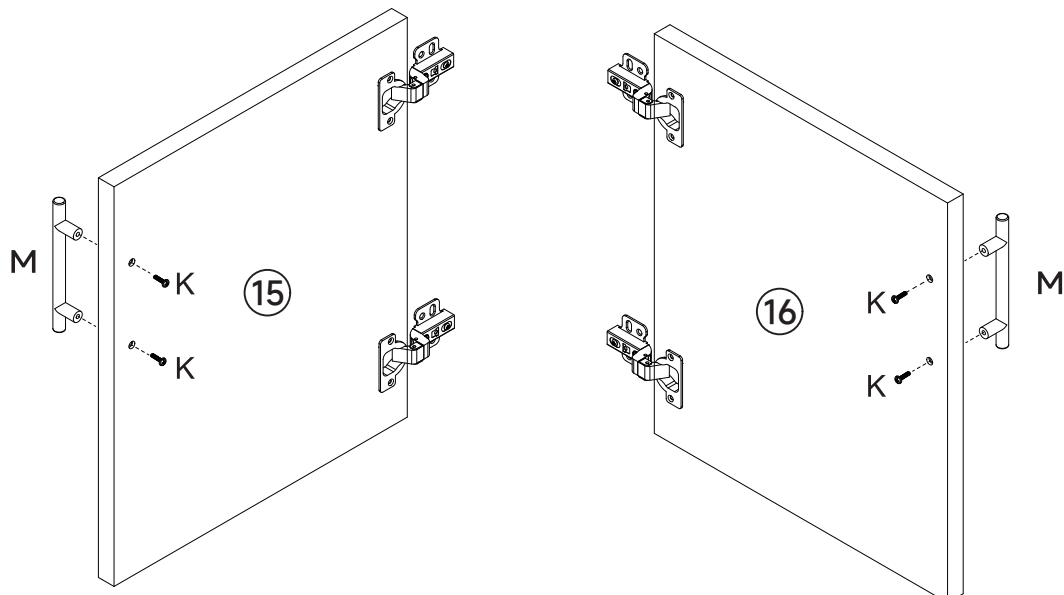
STEP 12.

(F)		x4
(I)		x8



STEP 13.

(K)		x4
(M)		x2

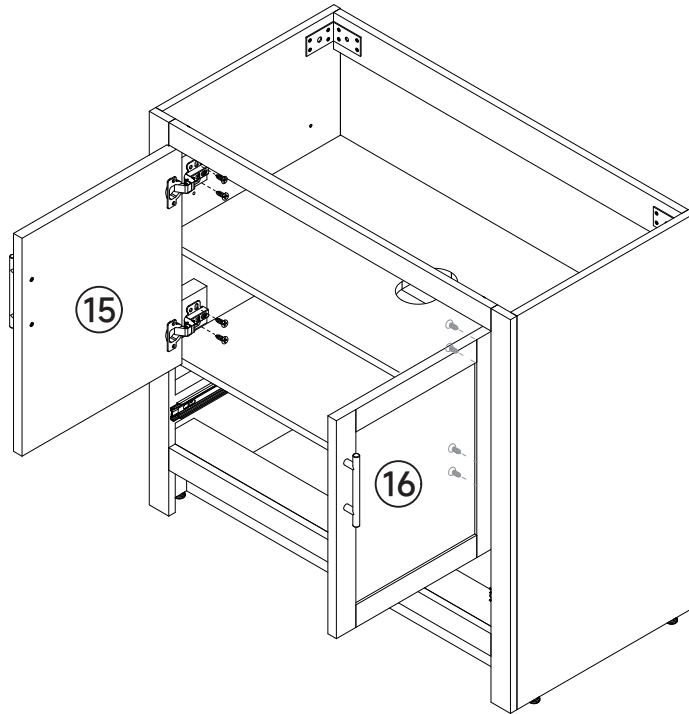
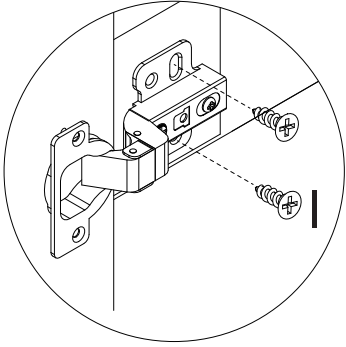


STEP 14.1

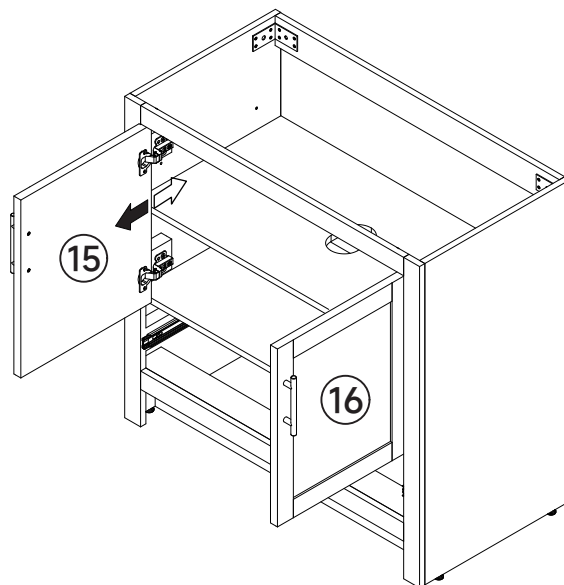
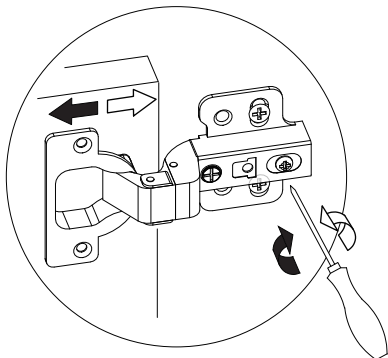
1



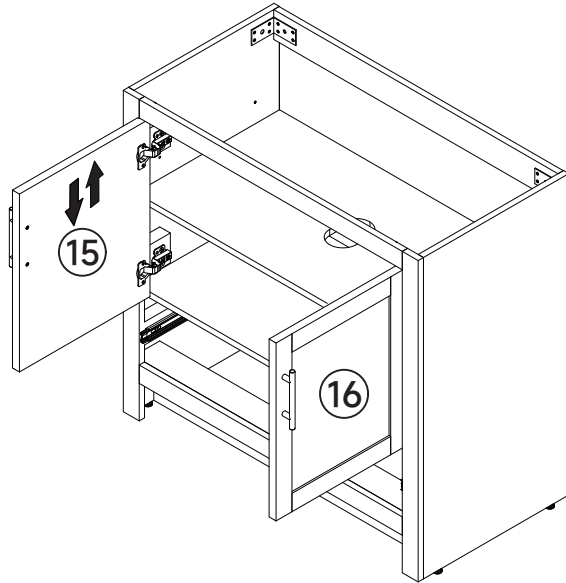
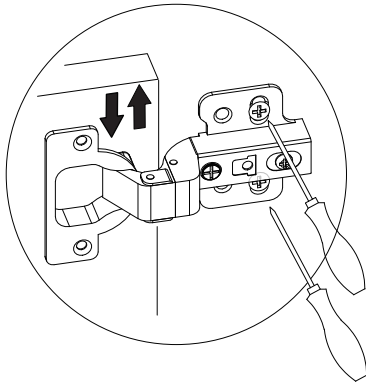
x8



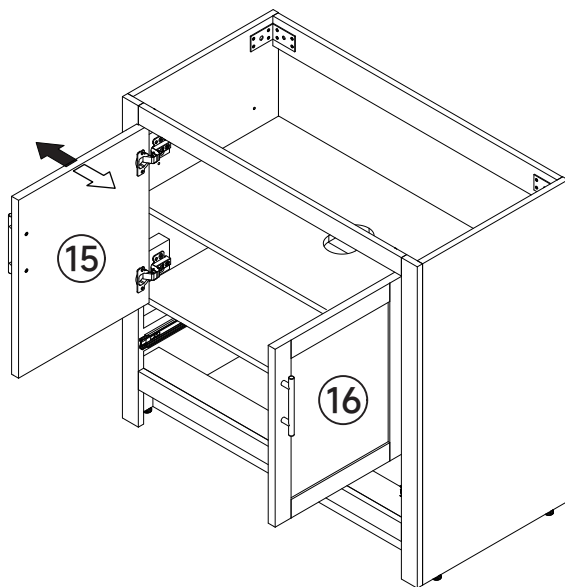
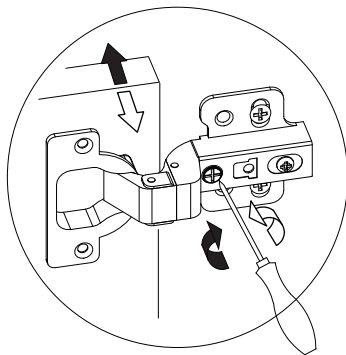
STEP 14.2



STEP 14.3



STEP 14.4

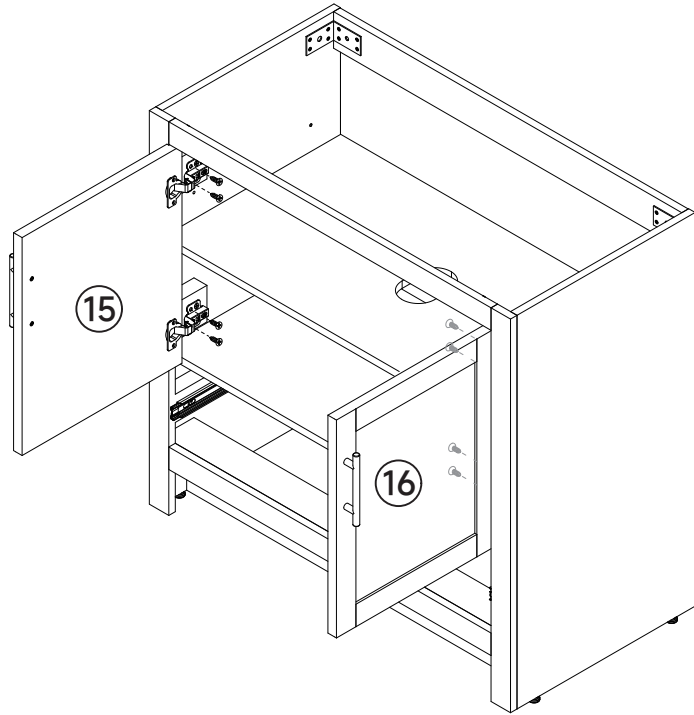
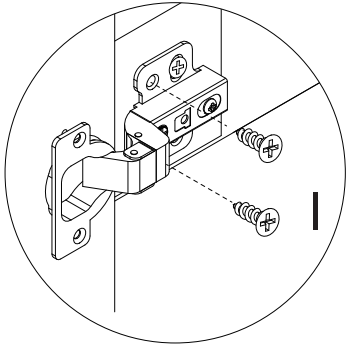


STEP 15.

I

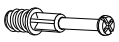


x8

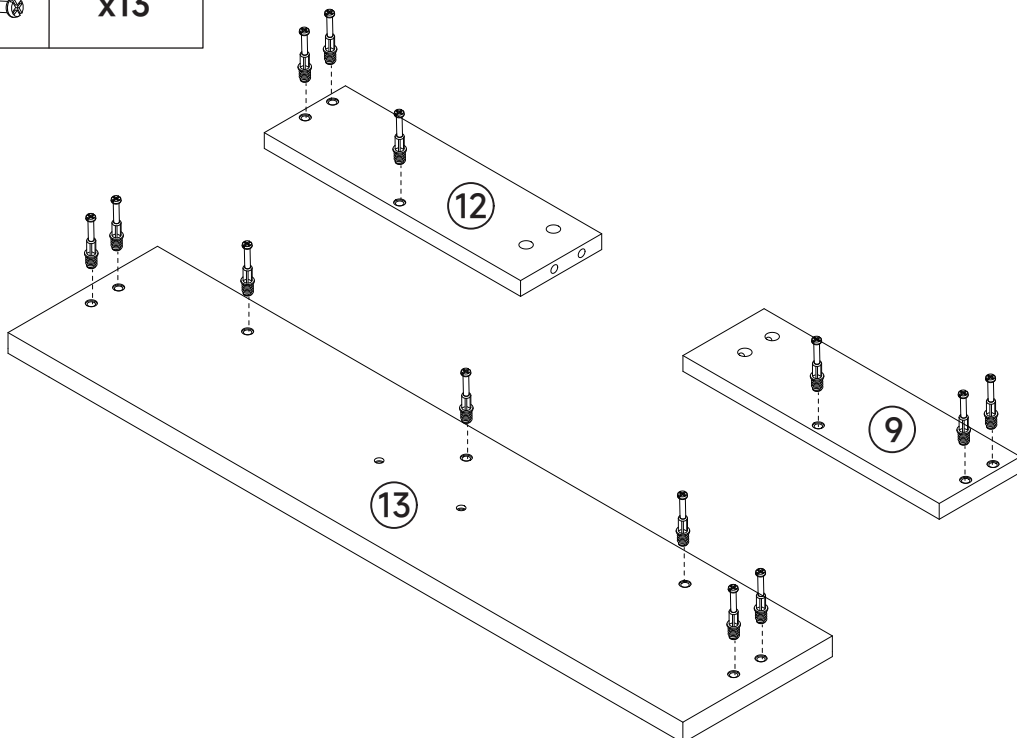


STEP 16.

B



x13

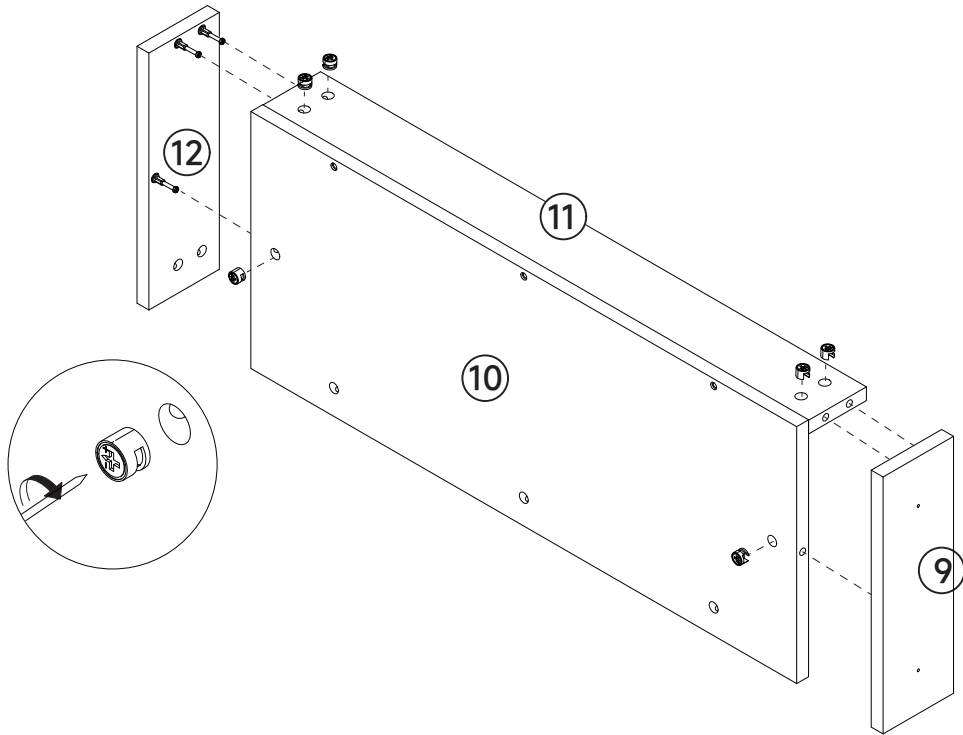


STEP 17.

A



x6

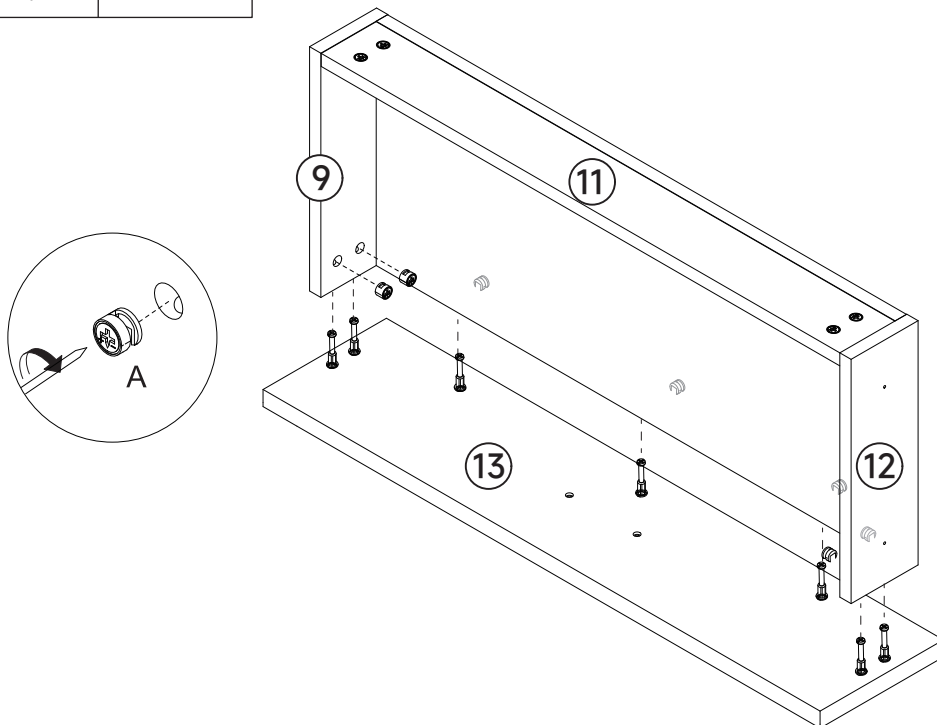


STEP 18.

A



x7

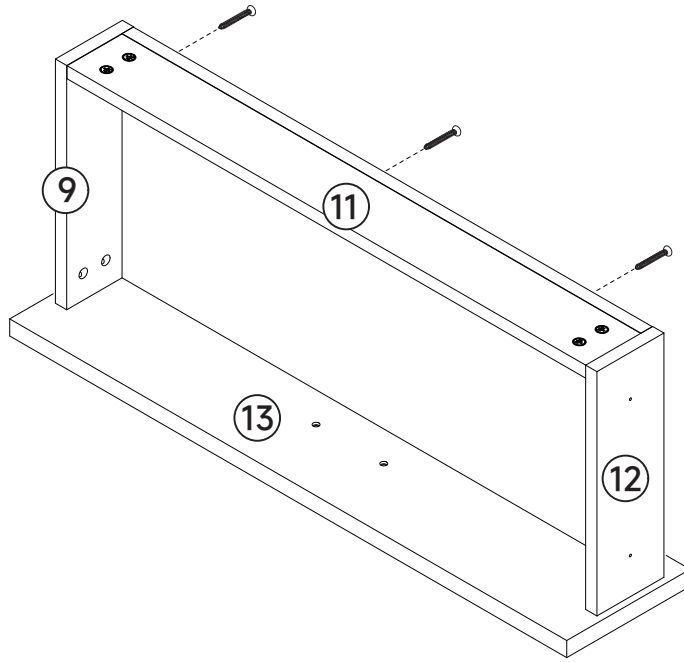


STEP 19.

J



x3



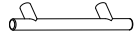
STEP 20.

L

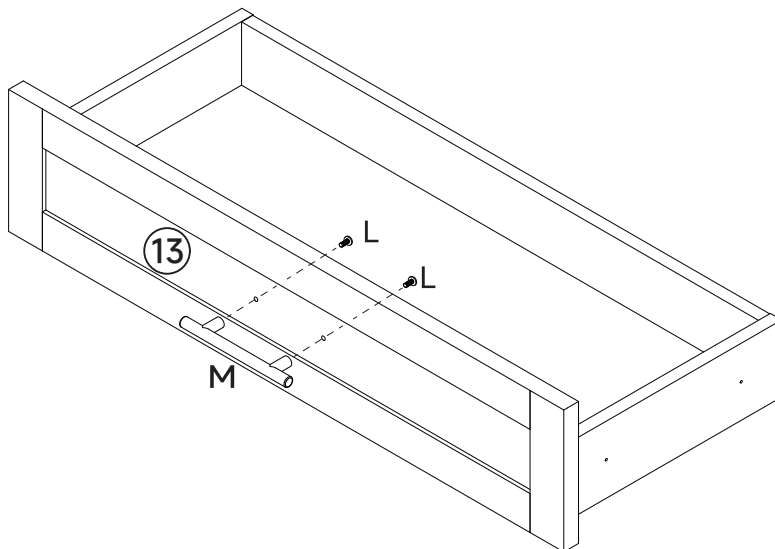


x2



M

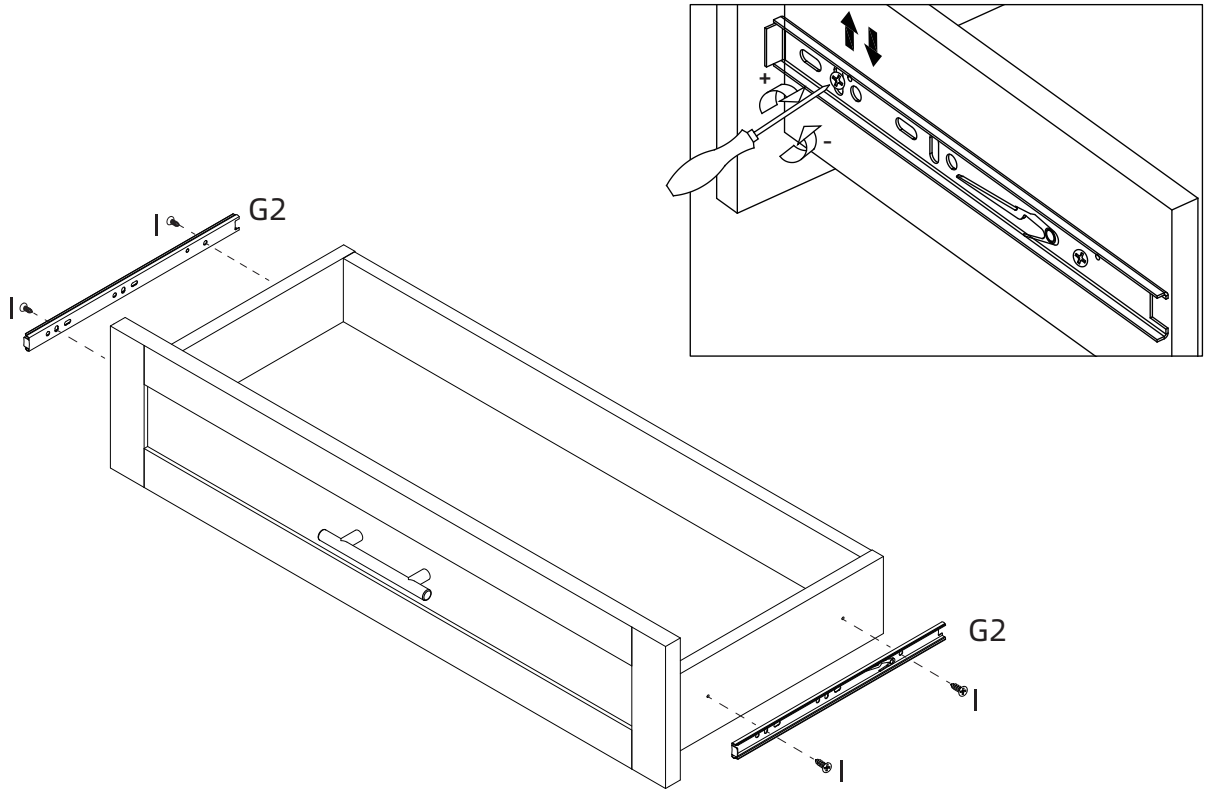


x1

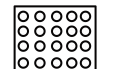


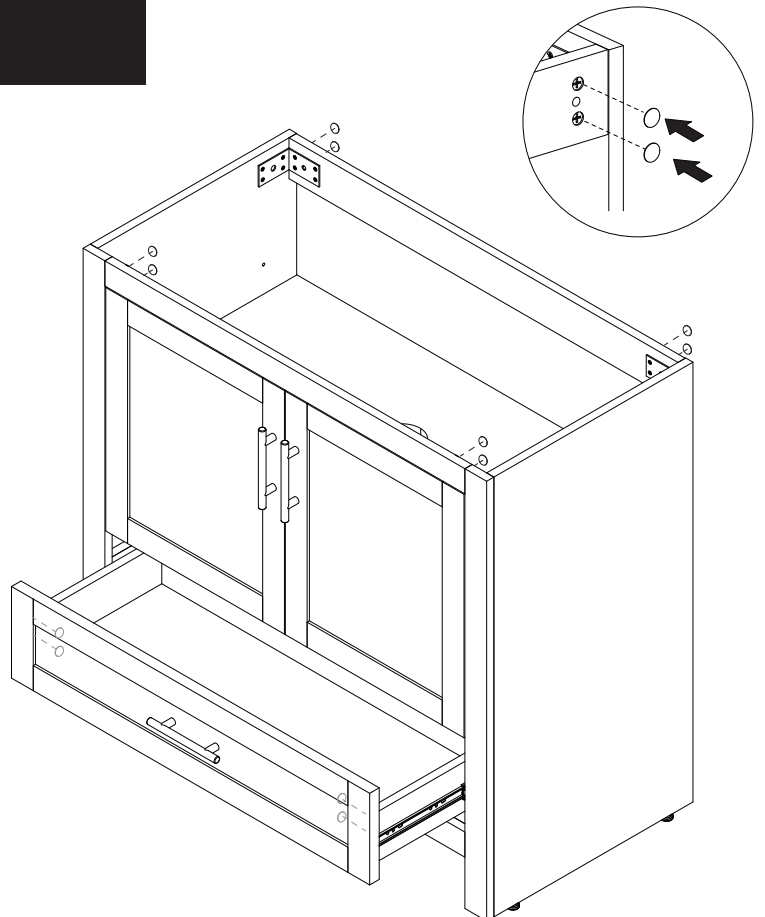
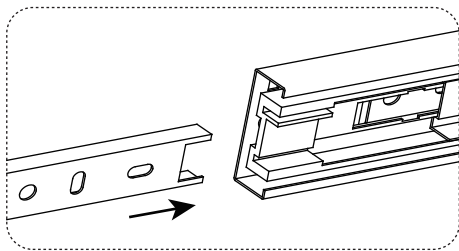
STEP 21.

G2		x2
Ⓛ		x4





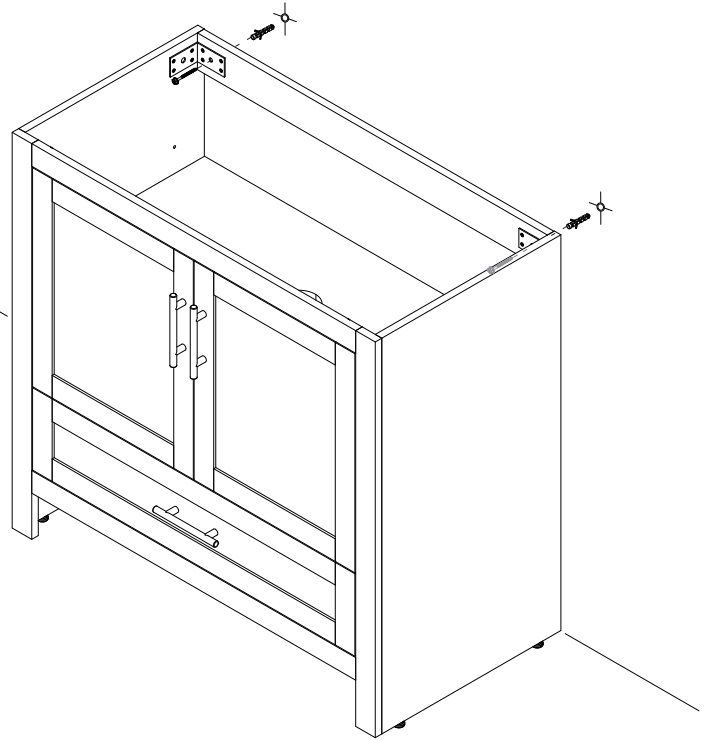
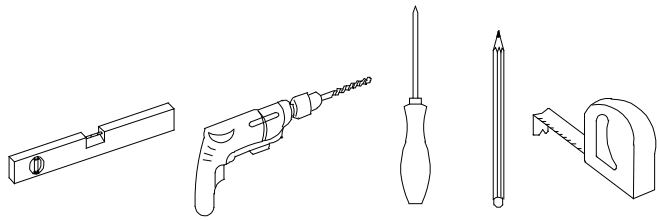
STEP 22.

Ⓡ		x58
---	---	-----

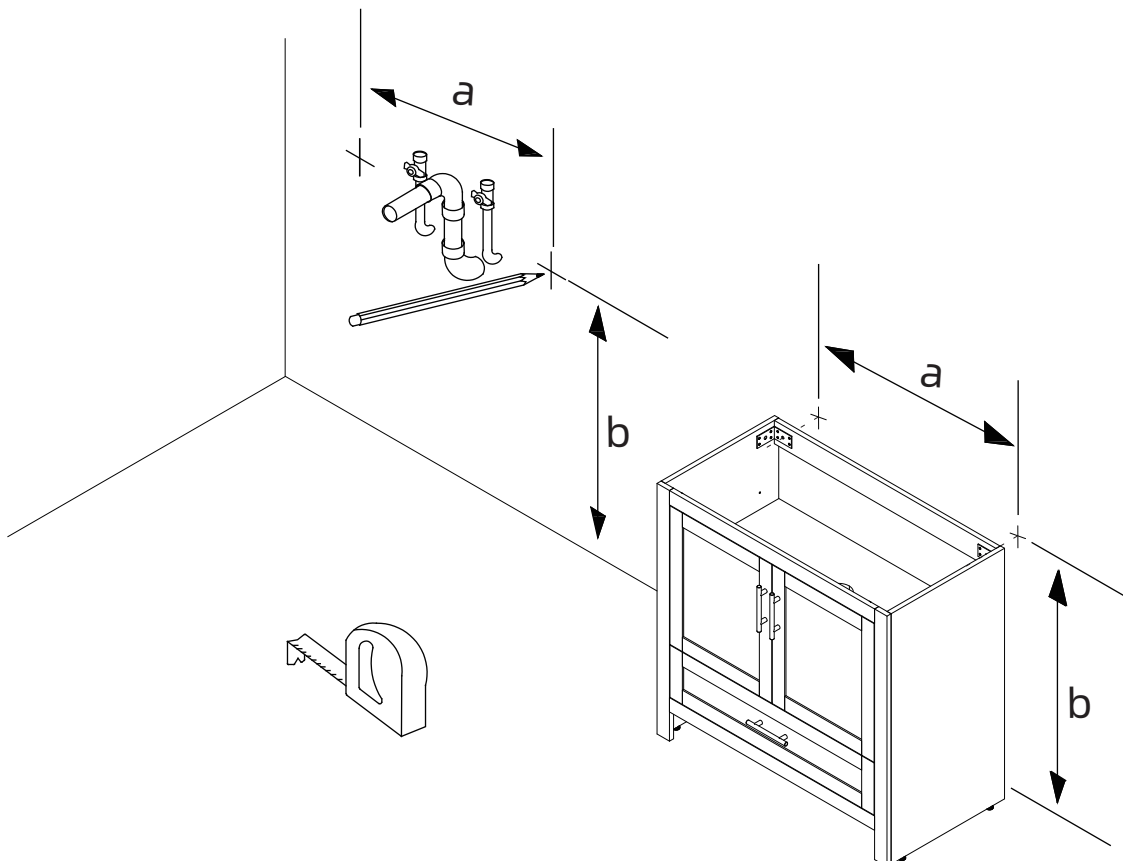


STEP 23.1

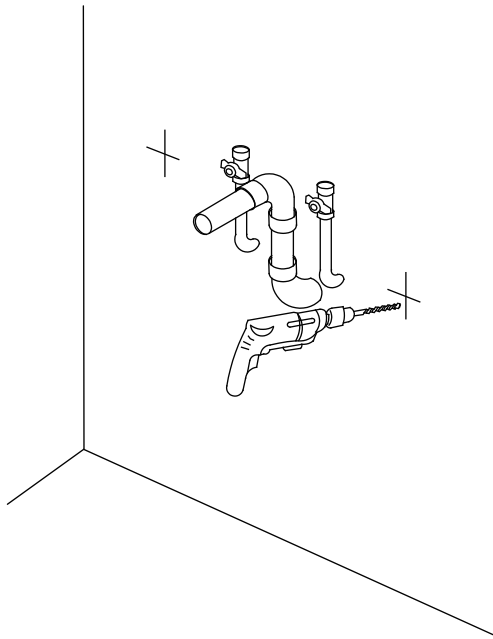
(S)		x2
(T)		x2



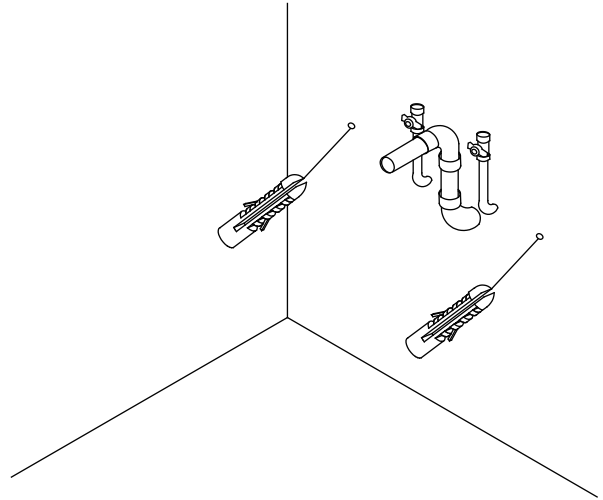
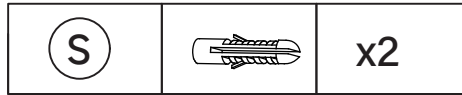
STEP 23.2



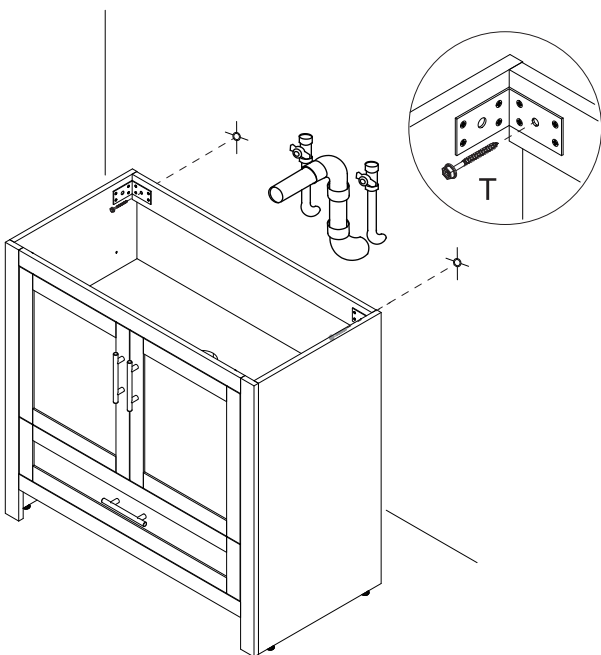
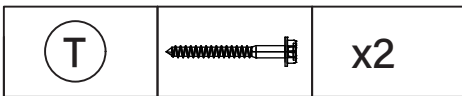
STEP 23.3



STEP 23.4



STEP 23.5



STEP 23.6

