










# Assembly Instructions

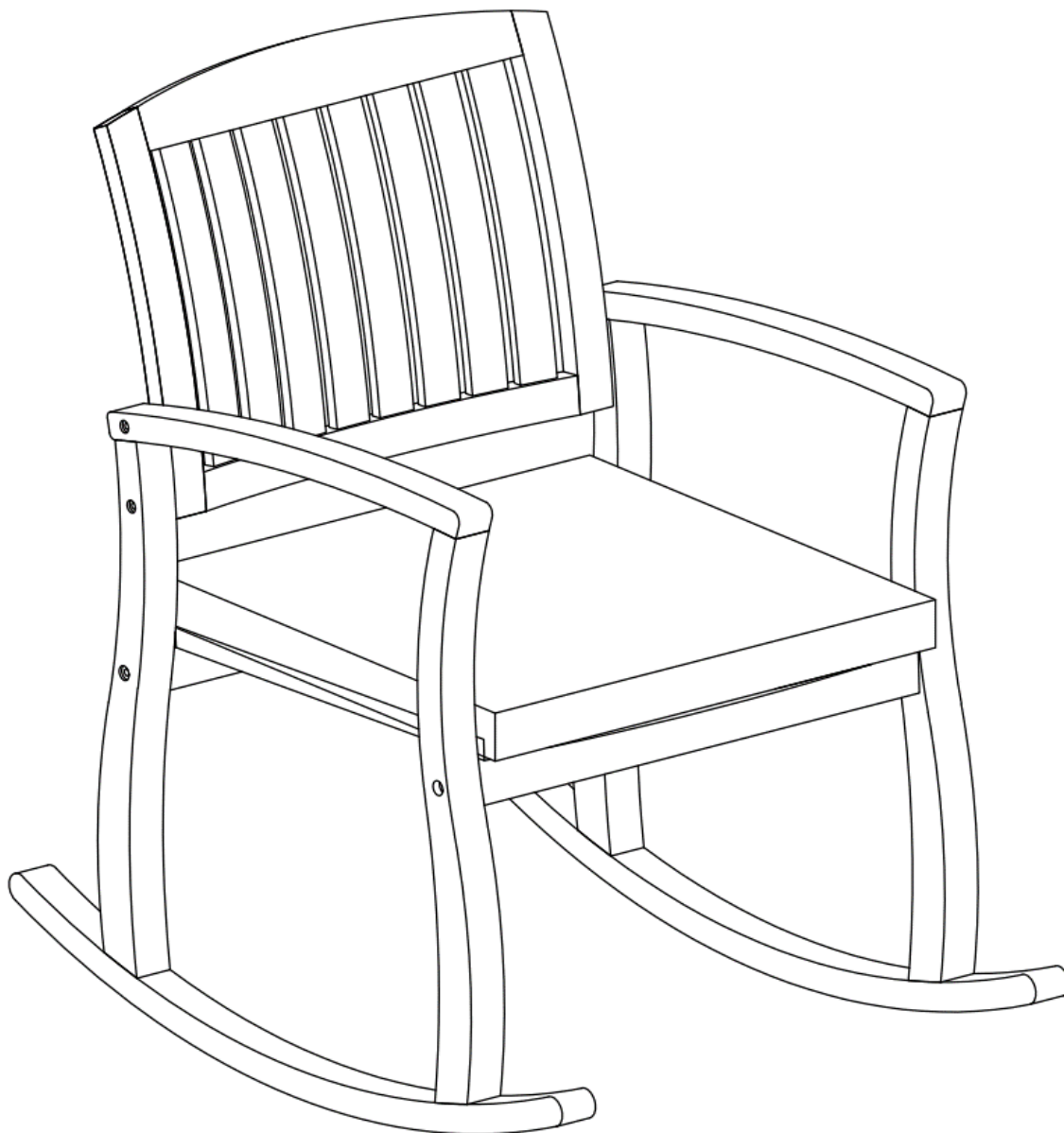
**CAUTION: You must read these Assembly Instructions before you proceed.**

## Care & Maintenance

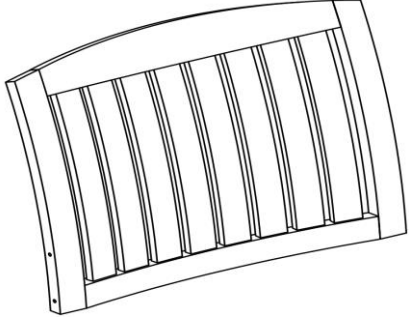
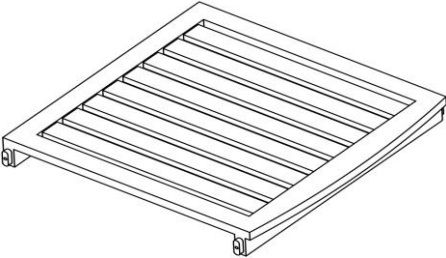
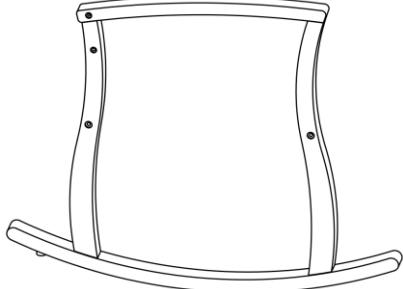
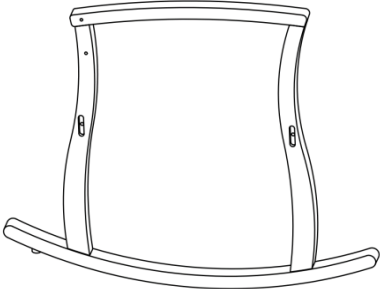
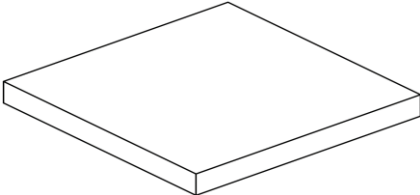
-  • Not for commercial use. For residential use only.
-  • Do not put hot items directly on furniture surface.
-  • Do not clean furniture with harsh cleansers or polish.
-  • To obtain the longest lifespan of your outdoor product minimizing exposure to direct sunlight is recommended.
-  • Children should not climb or jump on the furniture.
-  • Do not write on furniture without a padded barrier to protect the surface.
-  • To obtain the longest lifespan of your outdoor products, avoid extended and lengthy exposure to rain, snow, and direct sunshine. Whenever possible cover the product and /or place under patio or awnings.
-  • Stains may be removed with mild soap solution and damp cloth.
-  • Dust and pick-up spills using a clean, non-colored, lint- free cloth.

Please look in Arm Panel for hardware packs

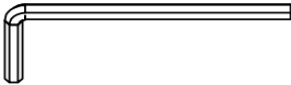
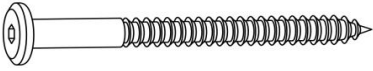
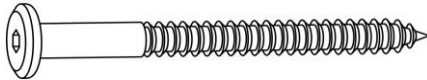
## ROCKING CHAIR



# Parts List:

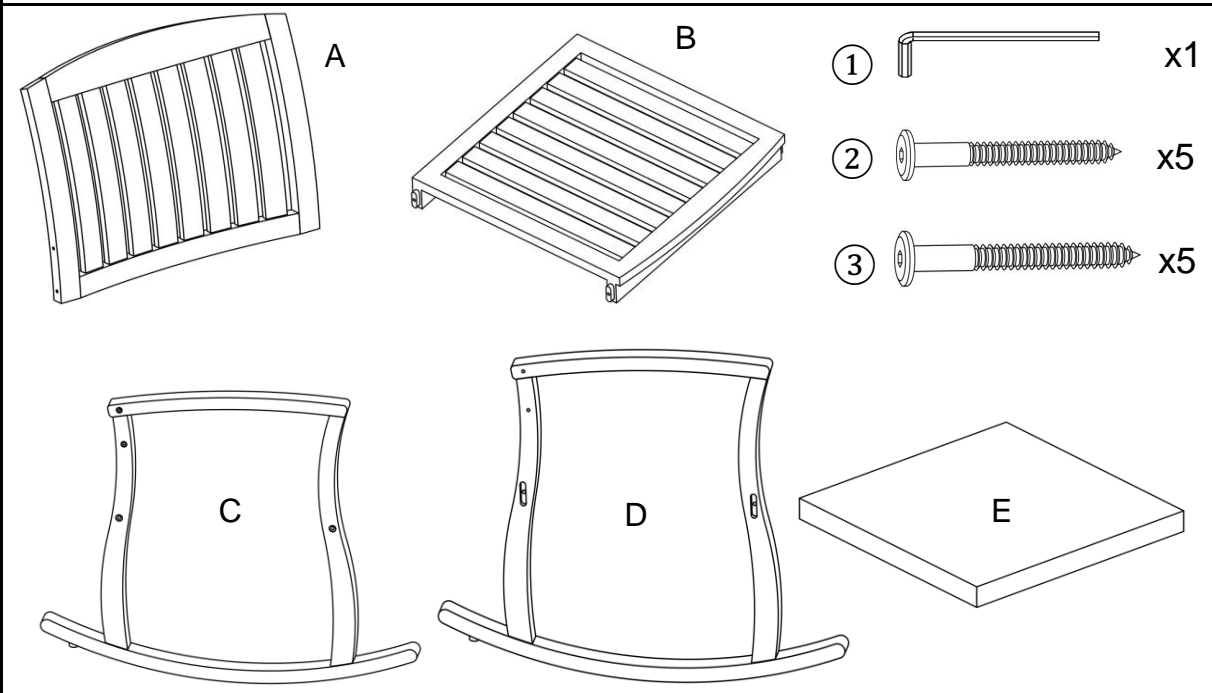
Label	Picture	Description	Qty
A	 A curved wooden backrest panel with vertical slats.	Backrest Panel	1
B	 A rectangular wooden seat panel with horizontal slats.	Seat Panel	1
C	 A curved wooden left arm panel with a curved base.	Left Arm Panel	1
D	 A curved wooden right arm panel with a curved base.	Right Arm Panel	1
E	 A rectangular wooden seat cushion.	Seat Cushion	1

## Hardware:

No	Picture	Description	Qty
①		Allen Wrench	1
②		Screw (M6x65mm)	5
③		Screw (M7x90mm)	5

## Assembly Preparation:

### Before Beginning Assembly:



- Read instructions, cover to cover-



- Have 2 adults on hand for assembly-



- Do not assemble on flooring or carpet-



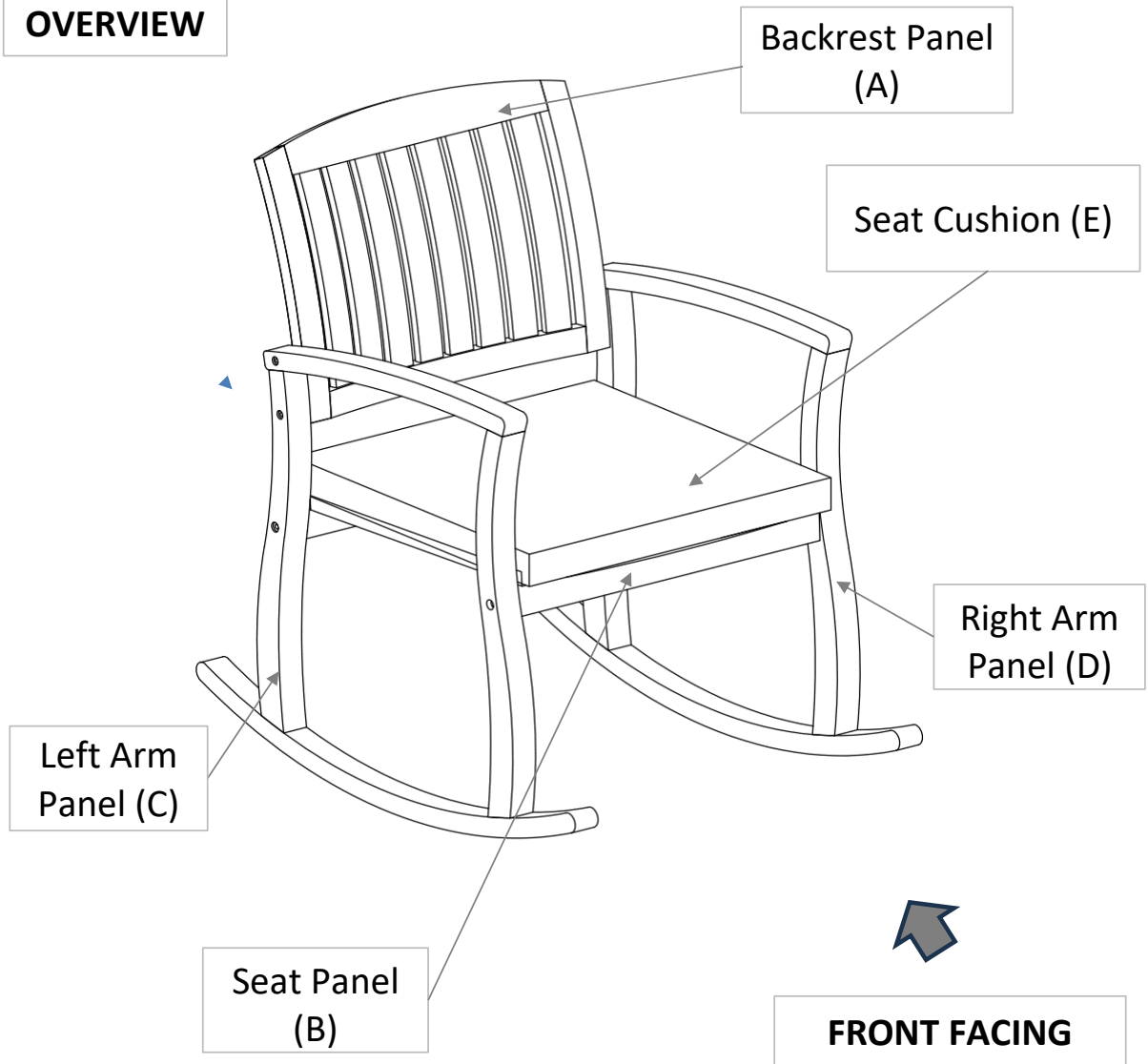
- Assemble on a clean non-marring surface (packing foam)-



- Save all packaging until finished-

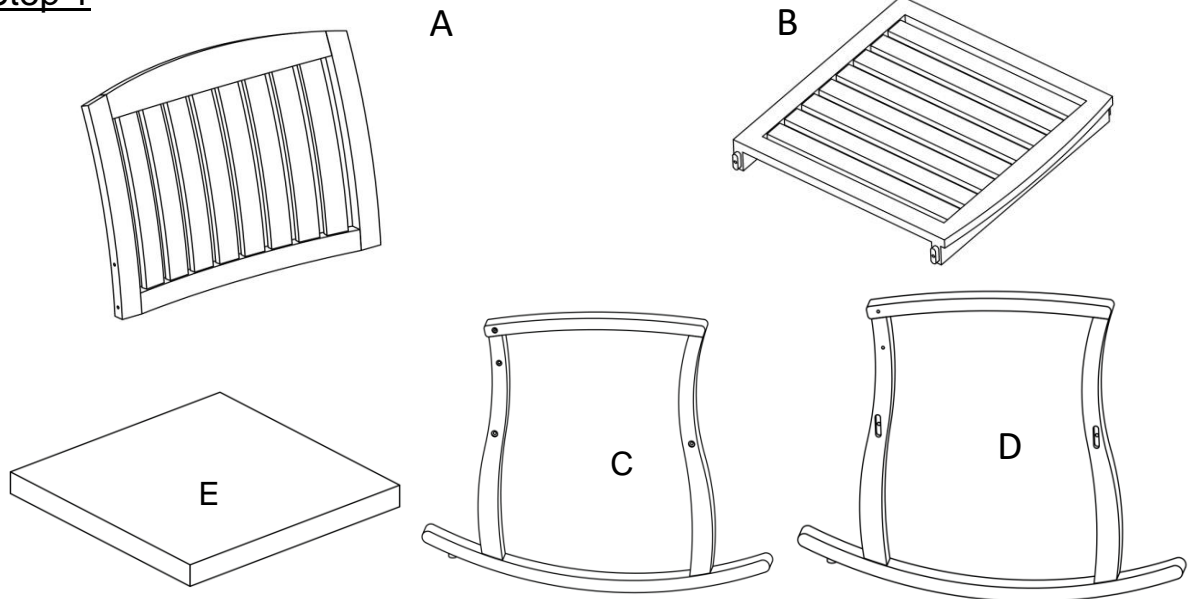
# Assembly Steps:

## OVERVIEW



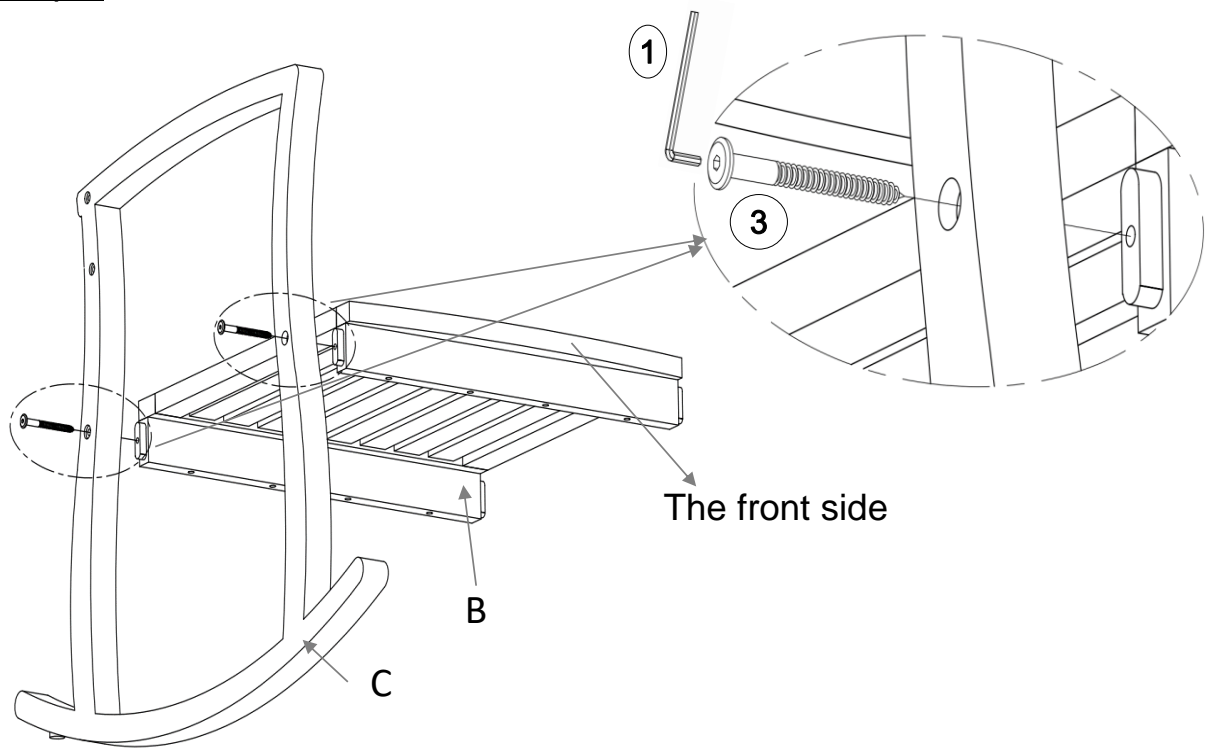
This Rocking Chair has multiple parts and may require up to 20 minutes to assemble. To give you an overview of the Rocking Chair, the above picture is to help you put the various parts into perspective. Please read through the instructions here below to familiarise yourself with the parts and steps before assembly.

**Step 1**



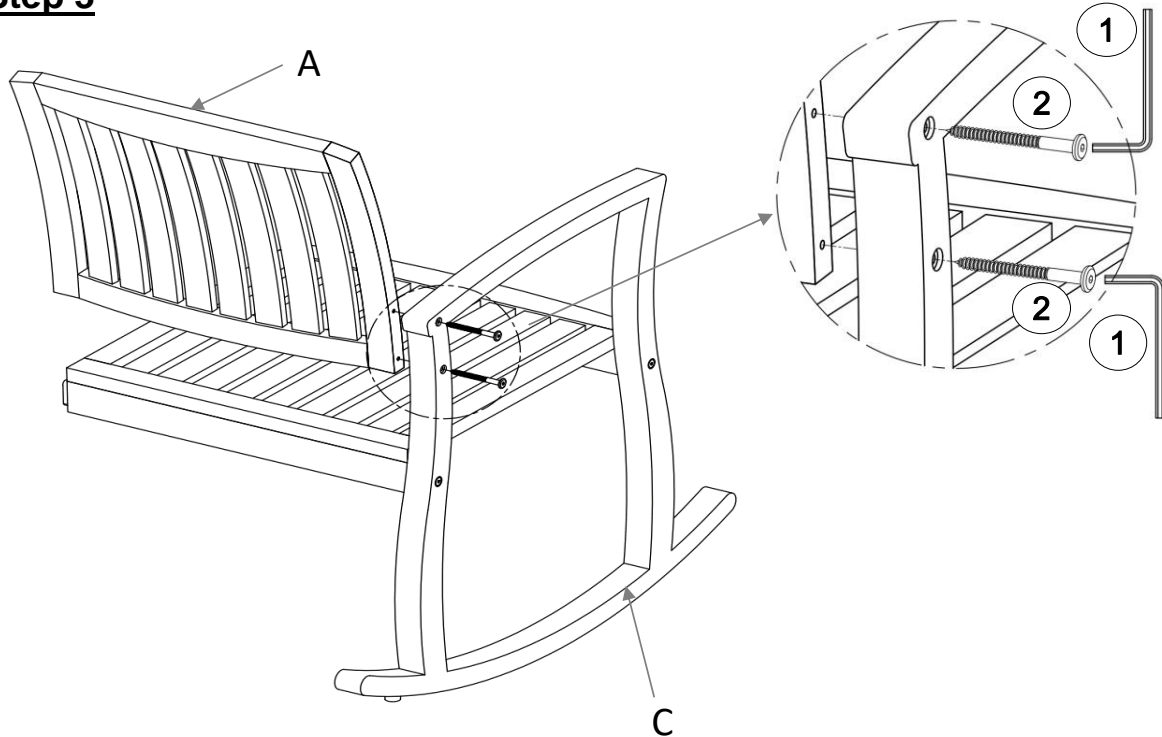
Unpack and place all parts on a clean, non-marring surface.

**Step 2**



With assistance from your adult partner, attach Left Arm Panel (C) to Seat Panel (B) by using Screws (③) with Allen Wrench (①) as shown above. Note: the curve side is the front side.  
**DO NOT fully tighten the Screws.**

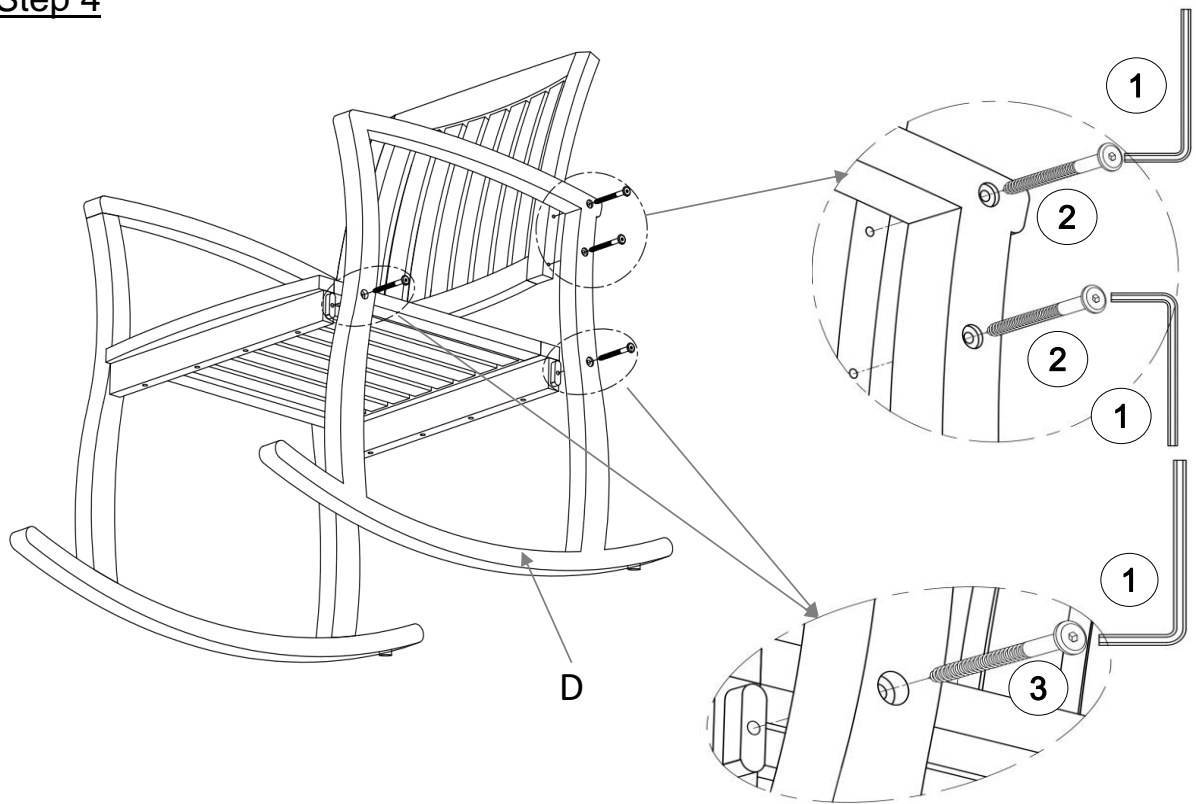
**Step 3**



With assistance from your adult partner, attach Backrest Panel (A) to Left Arm Panel (C) by using Screws (②) with Allen Wrench (①) as shown above.

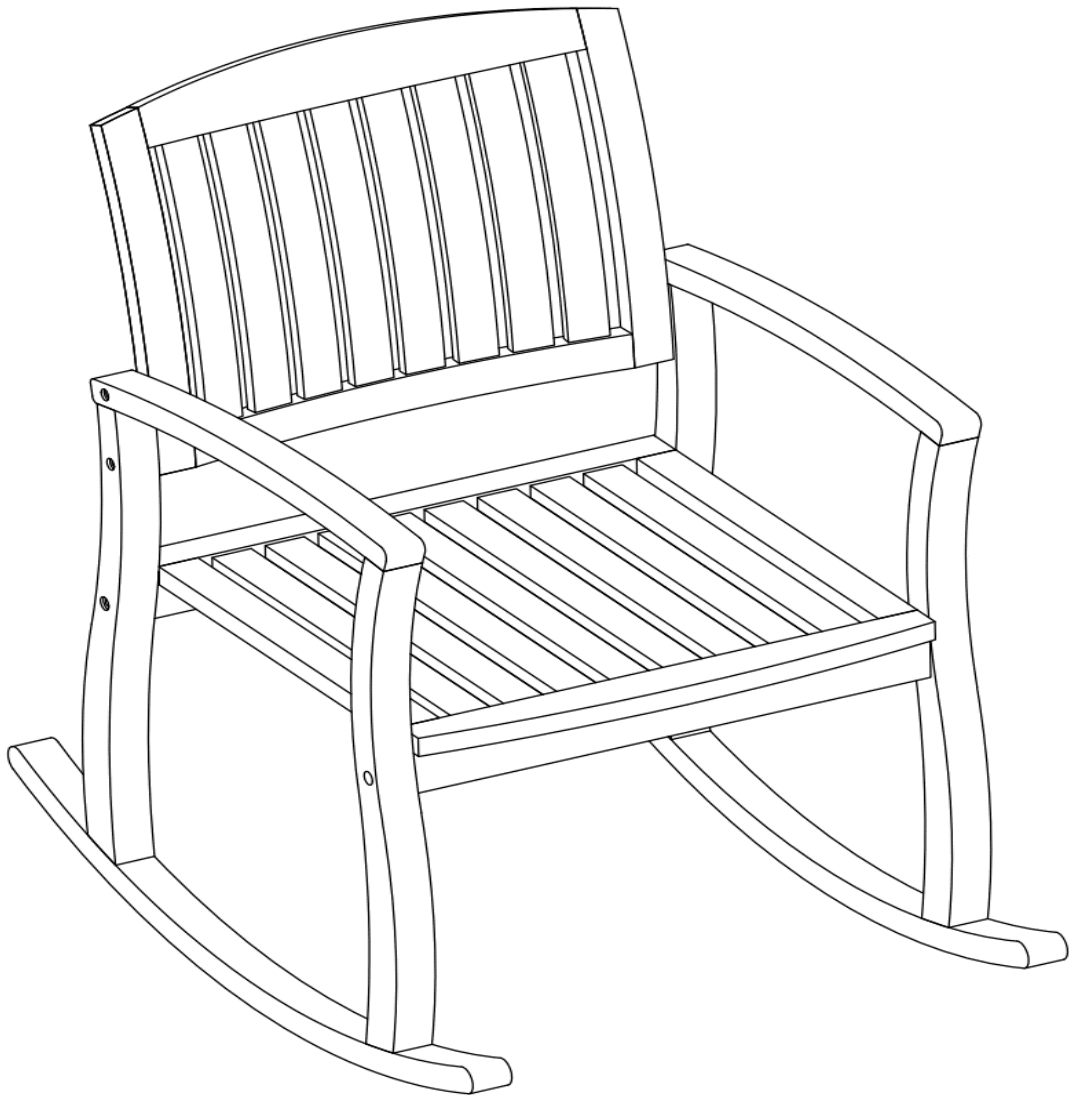
**DO NOT fully tighten the Screws.**

**Step 4**



With assistance from your adult partner, attach Right Arm Panel (D) to both Backrest Panel (A) and Seat Panel (B) by using Screws ((2)), Screws ((3)) with Allen Wrench ((1)) as shown above.  
**DO NOT fully tighten the Screws.**

## Step 5



Inspect it and make sure all parts are adequately connected.

Gently and gracefully, sit onto the Rocking Chair.

This will help to align all the parts at all joint areas.

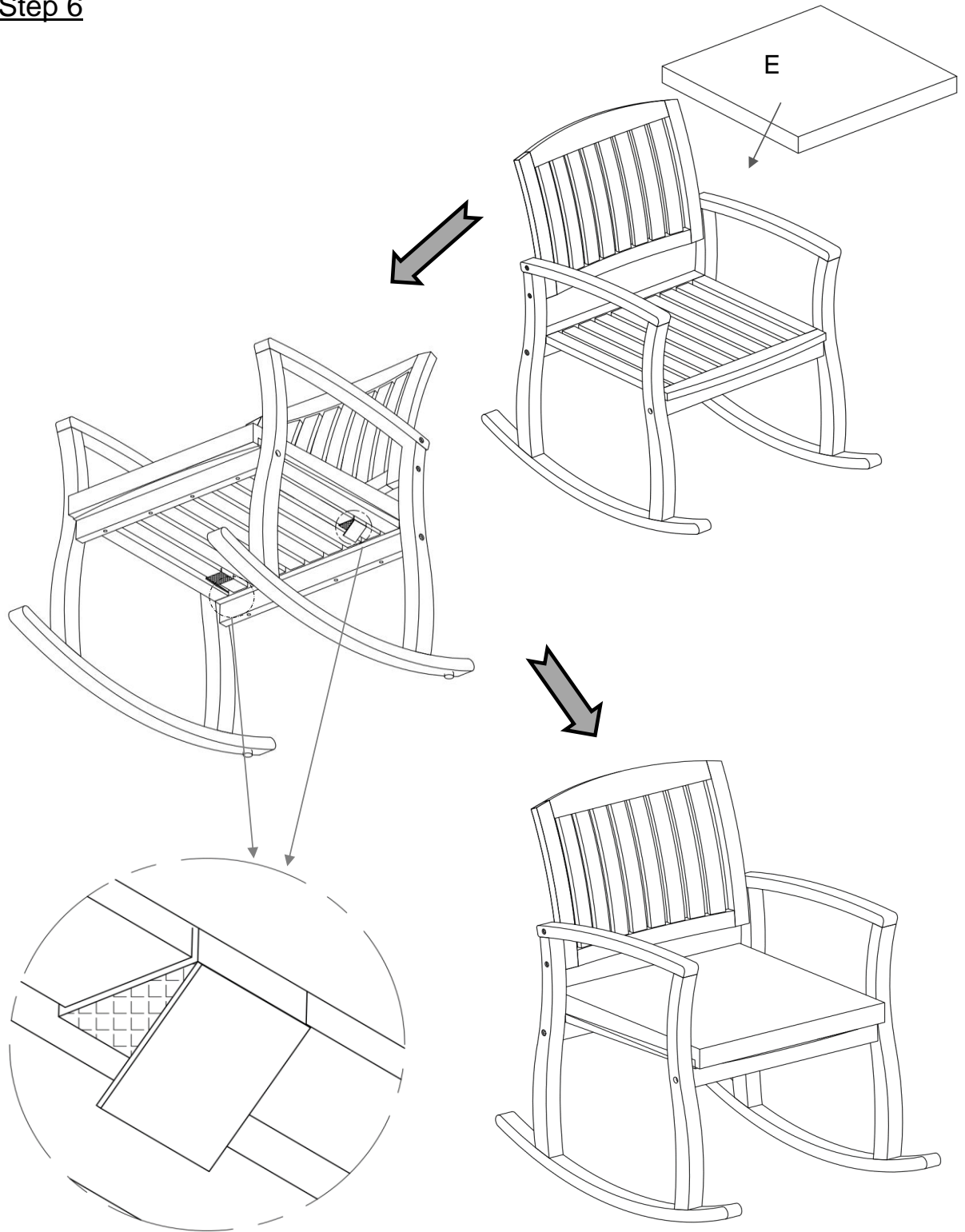
Then get off the Chair and proceed to tighten the Screws in a sequential manner.

When tightening the Screws tighten sequentially.

**DO NOT tighten any Screws fully and then move on towards the next one.**

**If there are still wobbles, loosen the Screws execute this same process.**

**Step 6**



Place Seat Cushion (E) onto the Chair by affix Magic tape straps to Seat Panel (B) as shown above.

Your Rocking Chair is ready to use.

**This Rocking Chair can only be used on a flat, level surface.**