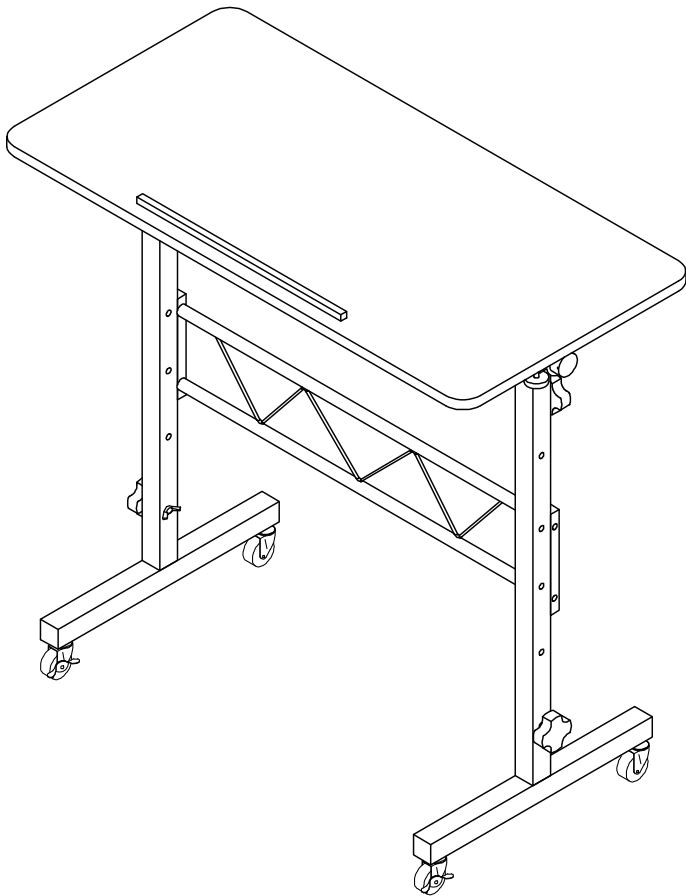


Assembly Instructions



◆ Please check all parts and accessories. If there are any problems such as defects or missing parts.
For assistance. We will strive to resolve your problem within 24 hours on business days.



CALL US FIRST! ! !

DO NOT RETURN TO STORE

For immediate help with assembly or product information,
please call us for assistance.

SAFETY INFORMATION

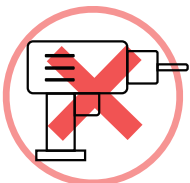
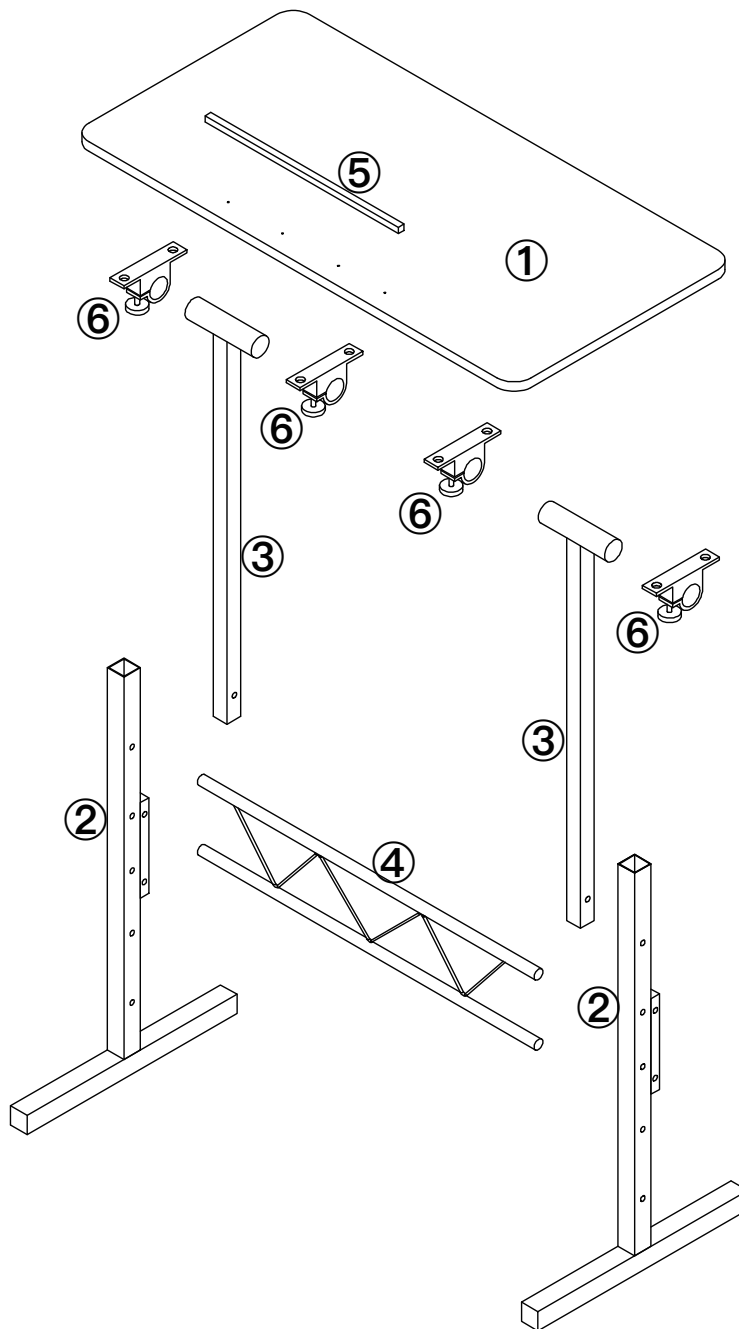
**CAUTION! Read all instructions and using this item.
– Save these instructions**

To ensure your and others' safety, please read and follow the instructions in this user manual carefully and thoroughly before and during use.

1. Close supervision is necessary when this furnishing is used by, or near children, invalids, or disabled persons.
2. Use this furnishing only for its intended use as described in these instructions. Do not use attachments not recommended by the manufacturer.
3. Installation and assembly must be performed by an adult.
4. Ensure that the floor is able to with stand the weight of the console when fully loaded.
5. To reduce risk of personal injury and product damage, always ensure a sufficient amount of personnel are present when unpacking, moving and assembling the desk system.
6. Do not leave children alone to climb or play in or around this product all the time.
7. Use this product for its intended purpose only. Do not use it as a step ladder.
8. To avoid damage, assemble the product on a sturdy, level and protective surface.
9. Two or more persons work together to install this product if needed.
10. Make sure all screws are tightly fastened before the product is used.
11. Check screws periodically and tighten them if necessary.

Failure to adhere to these warnings may result in serious injury or property damage.

Main accessories installation position



**DON'T USE
ELECTRIC DRILL.**



**PLEASE MAKE SURE
TO USE A WRENCH.**

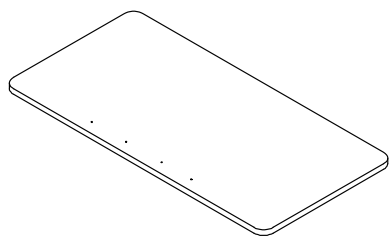
⚠ CAUTION

When installing the desktop or boards, different manufacturers' electric drills have varying speeds, which may pose a risk of injury. Therefore, we recommend using a wrench for attachment.

01 Check Various Accessories

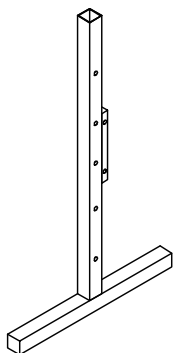
Details of accessories

Please check and ensure all the things are in the package.
Please contact us for help if something is not included.



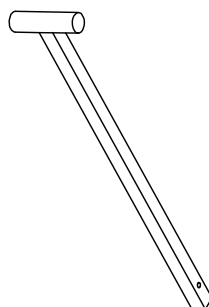
①x1

Desk Board



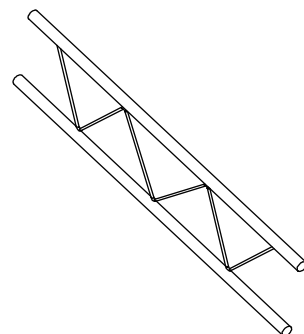
②x2

Side Bracket



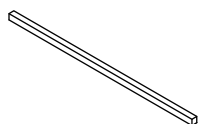
③x2

Connecting Rod



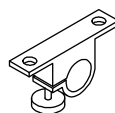
④x1

Connecting Bracket




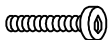
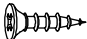


⑤x1





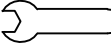
Edge Stopper



⑥x4

Angle adjuster

Other Parts	Name	QTY
	A Screw M6×15mm	8PCS
	B Screw M6×45mm	4PCS
	C Screw M4×25mm	4PCS
	D M6 Nut	2PCS
	E Brake Caster	2PCS

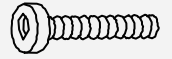
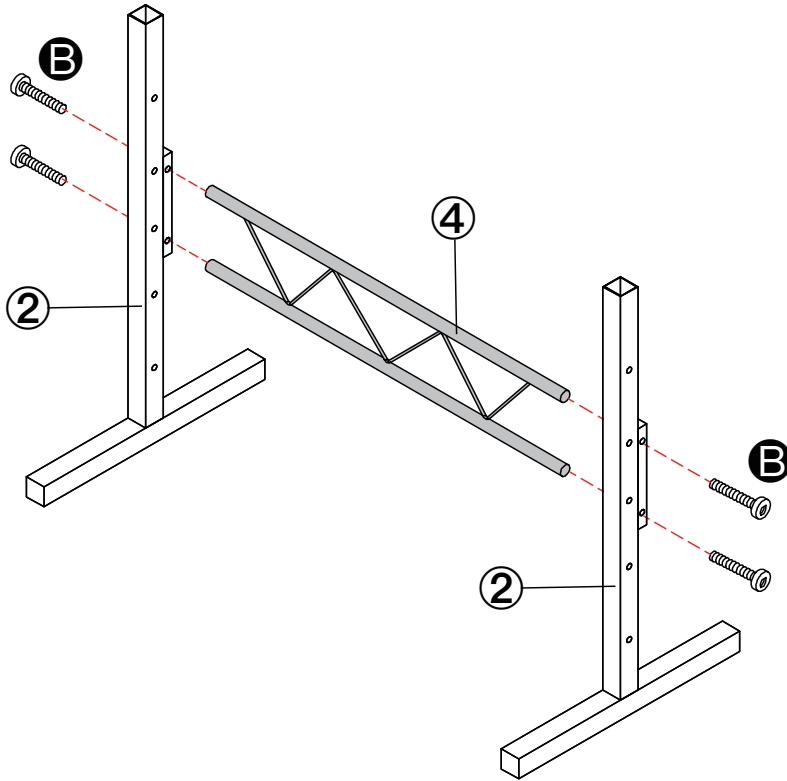
Other Parts	Name	QTY
	F Castor	2PCS
	G Star Head Screw M6×40mm	2PCS
	H Star Head Screw M6×15mm	2PCS
	I Wrench	1PC
	J M8 Spanner	1PC

02 Installation

Please keep the original box in case you might need to return or replace the product.

01

*Install Connecting Bracket ④ as shown.

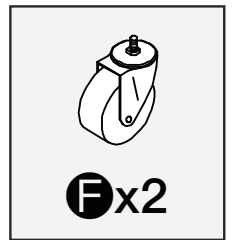
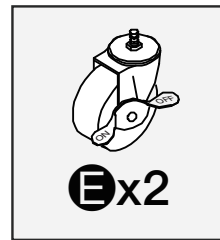
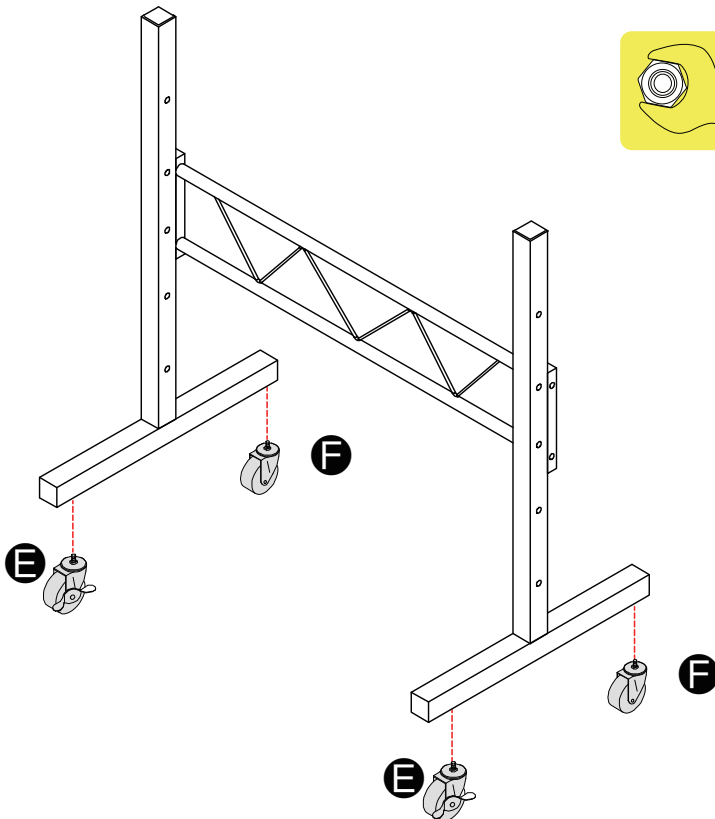


x4

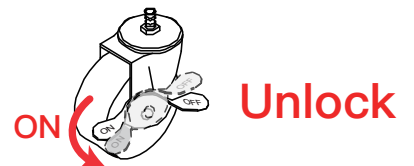
B M6x45

02

*Install brake casters (E) and castors (F) as shown.

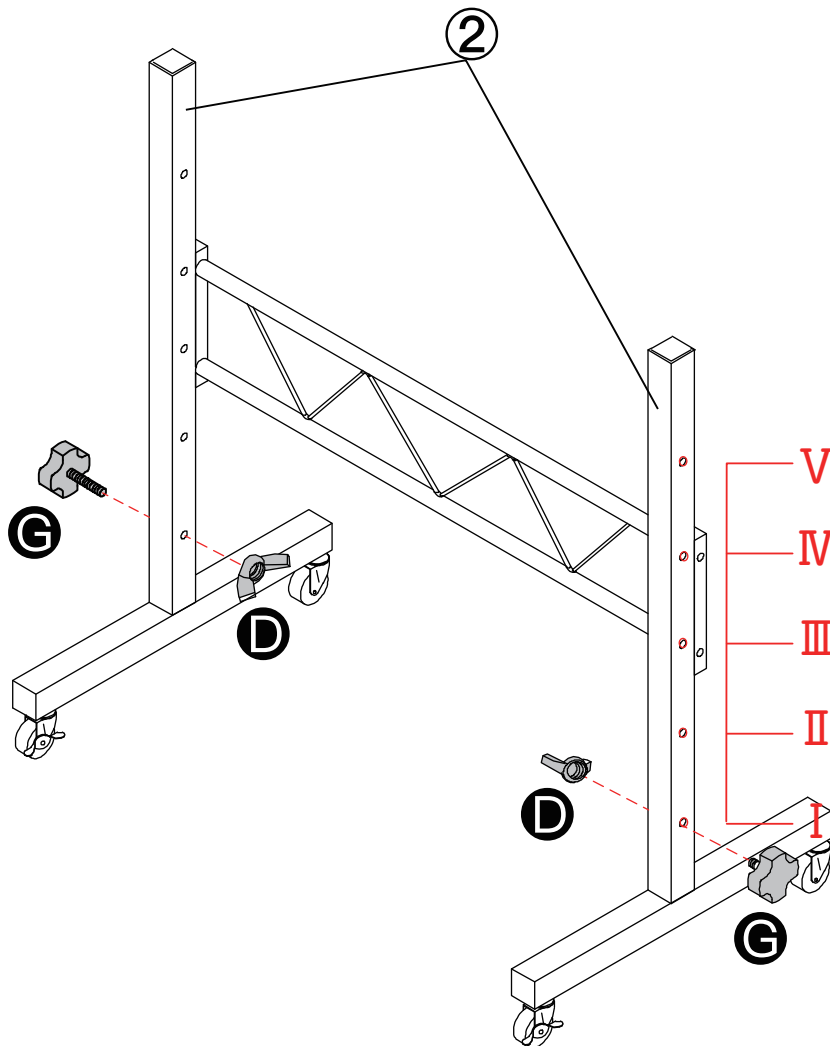
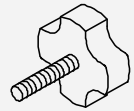


Usage of E



03

*Install the star head screw **G** to side bracket **2** .

**x2****D** M6 Nut**x2****G** M6x40

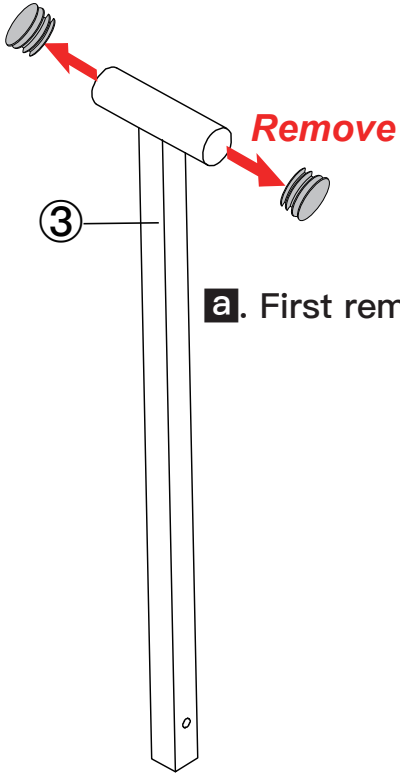
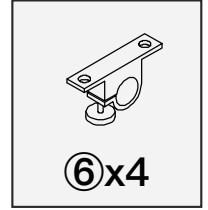
The table of desk heights

G star head screw location	I	II	III	IV	V
Total height of the desk (cm)	77	87	97	107	117

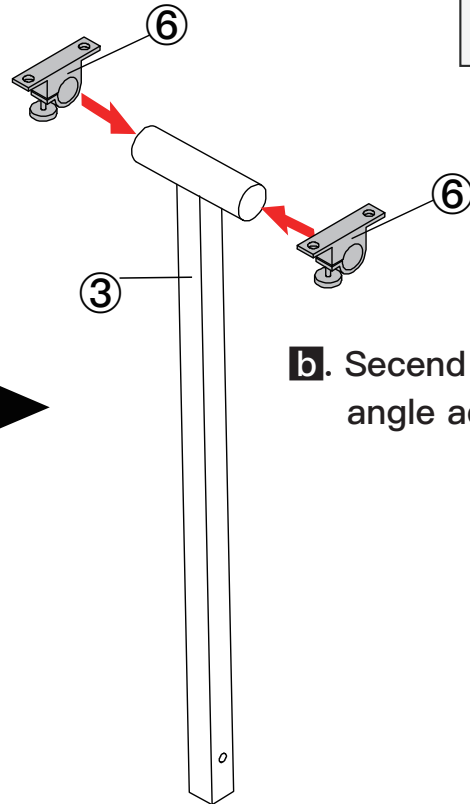
* See **Page 10-12** for Height Adjustment skills.

04

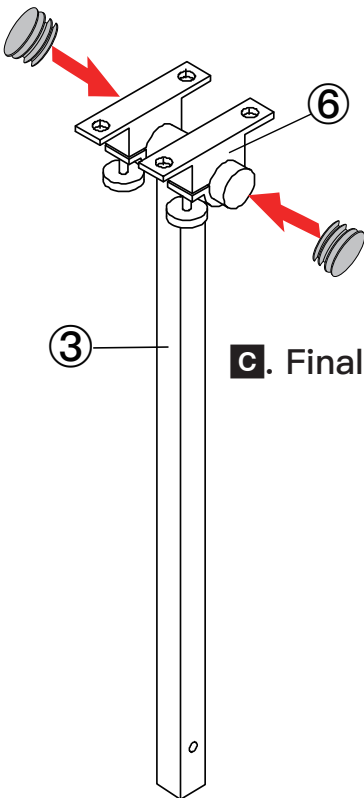
x2



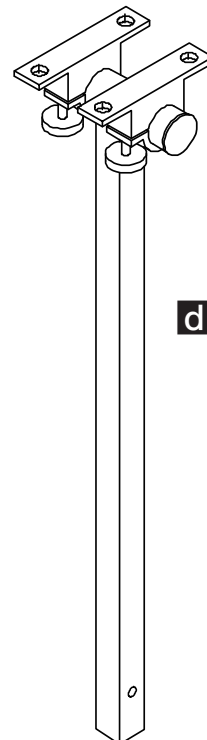
a. First remove the caps.



b. Second Install the angle adjusters ⑥.



c. Finally install the caps.



d. Complete.

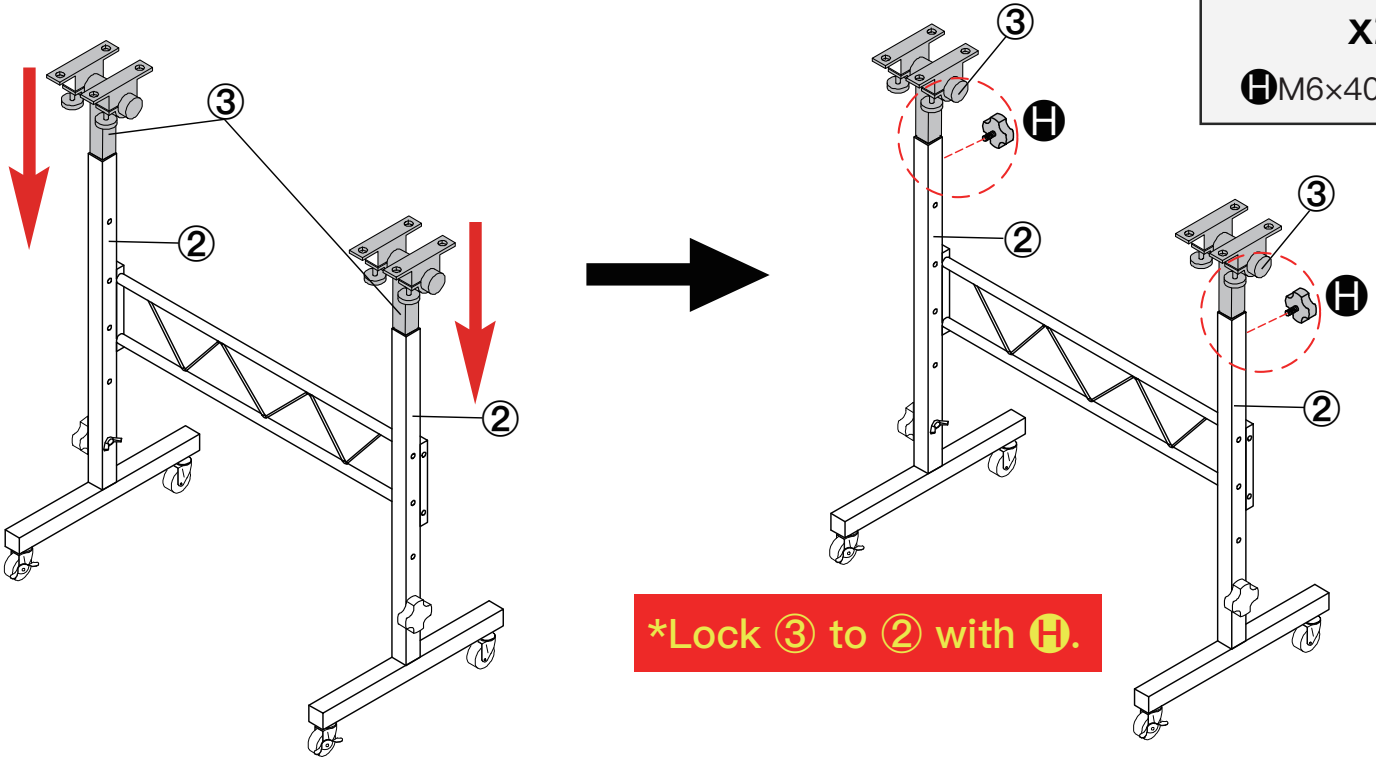
05

*Install the connecting rods ③ and star head screws ④.

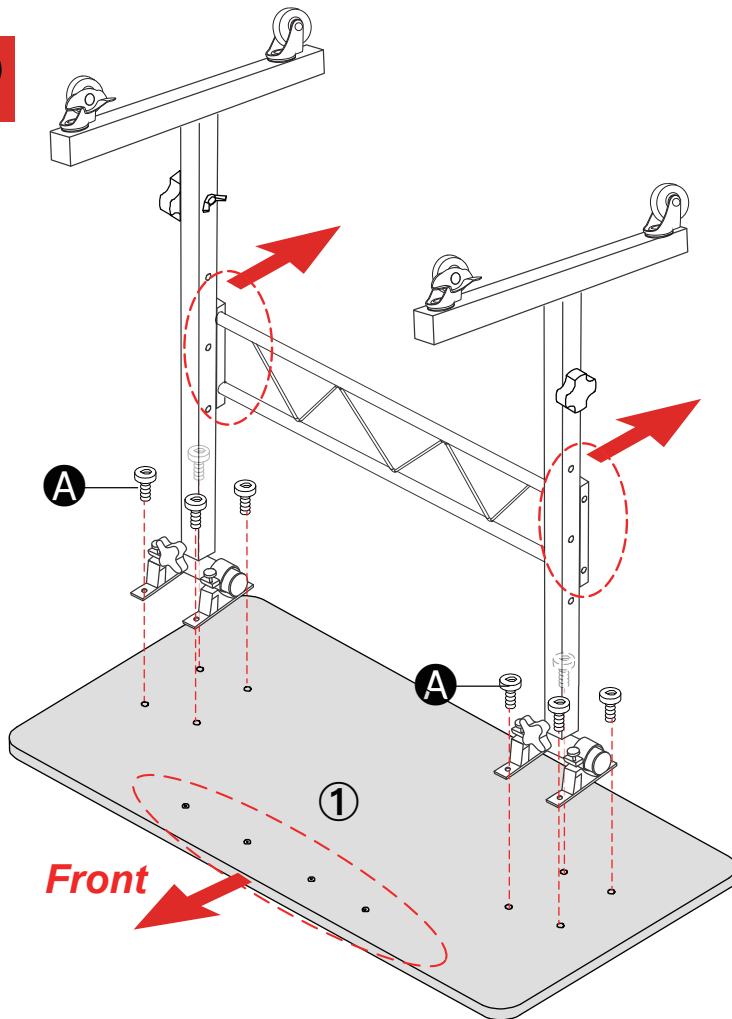


x2

④ M6x40



06

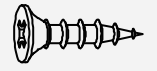
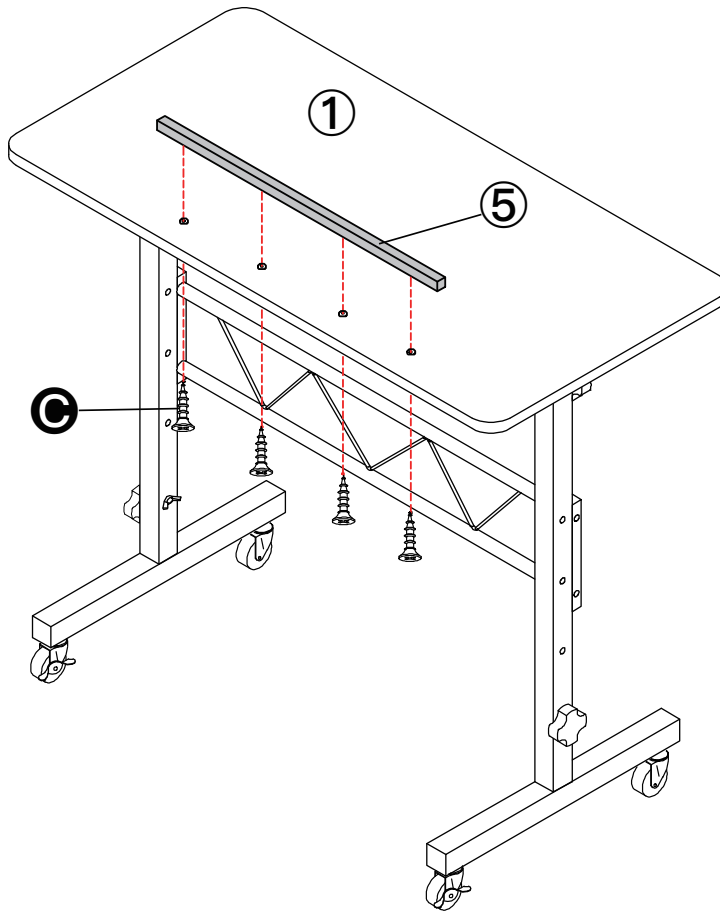


x8

① A M6x15

*Check to ensure that the installation direction of ① is correct as shown.

07

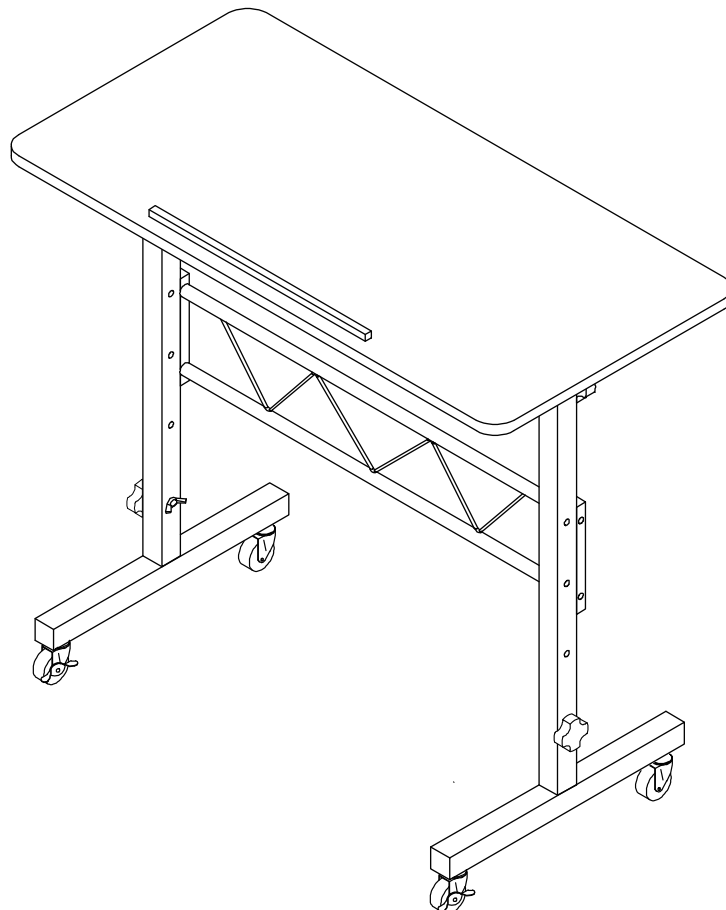


x4

M4x25

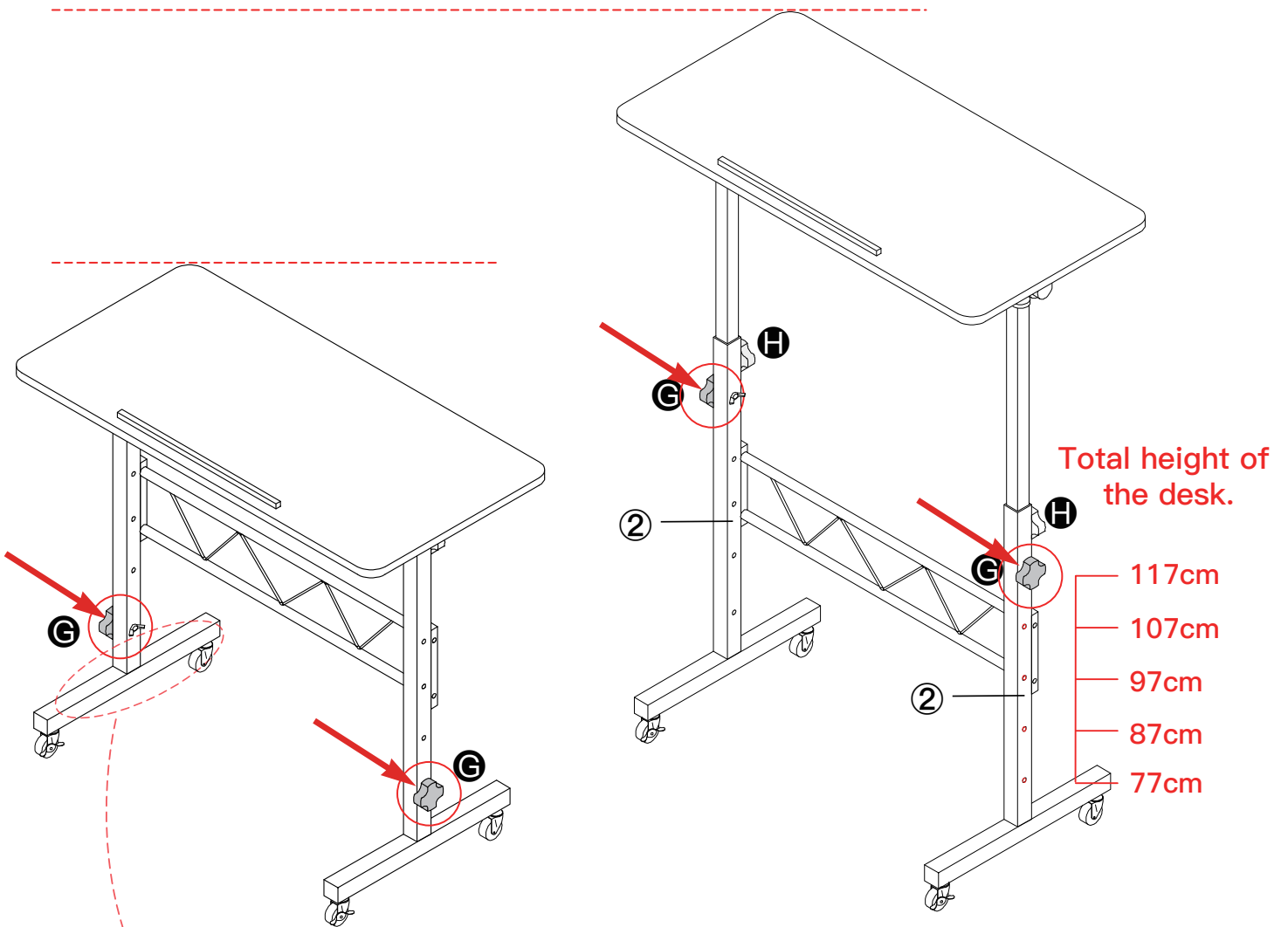
08

Complete.

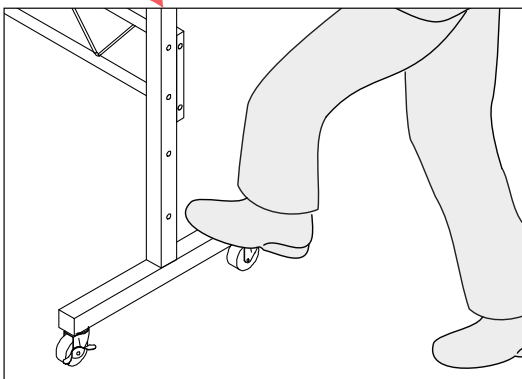


HEIGHT ADJUSTMENT

* Rotate the **G** and **H** star head screws to adjust the height of the desk.



* The Desk Bracket **2** has 5 adjustable heights.



TIPS

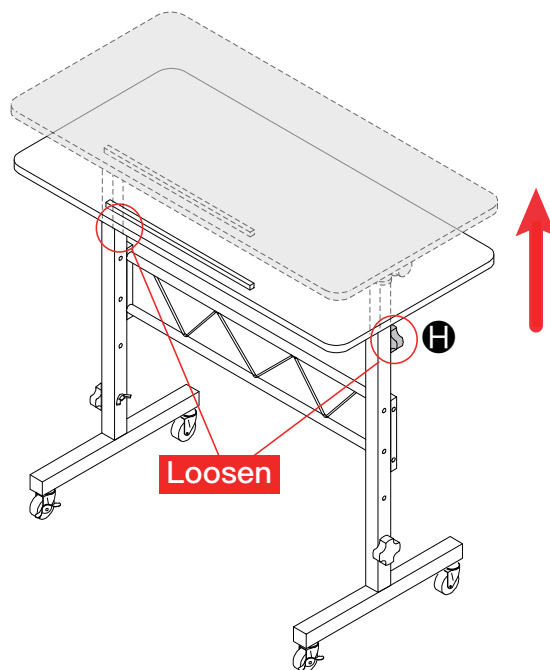
Step on one side with your foot to adjust the height and prevent the casters from moving.



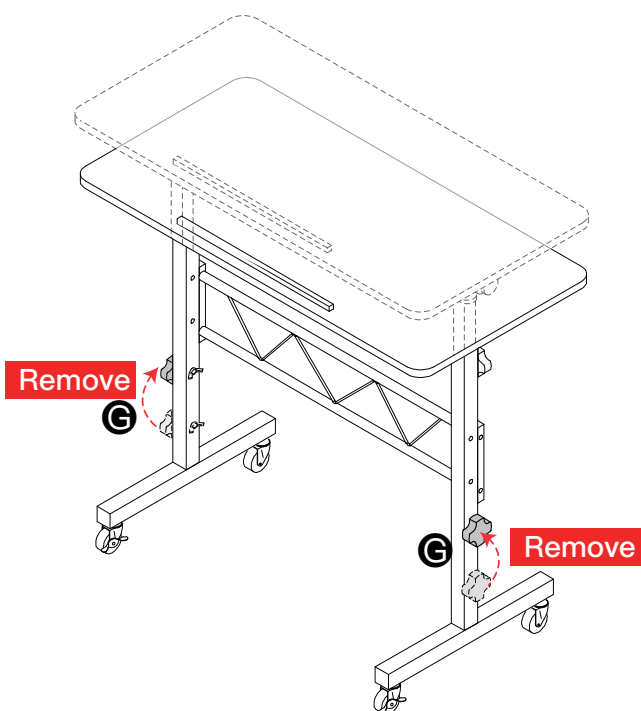
DO NOT adjust the position of the **G** star head screws when the **H** star head screws are **NOT** tightened while lowering the desk.

a. Lift the desk.

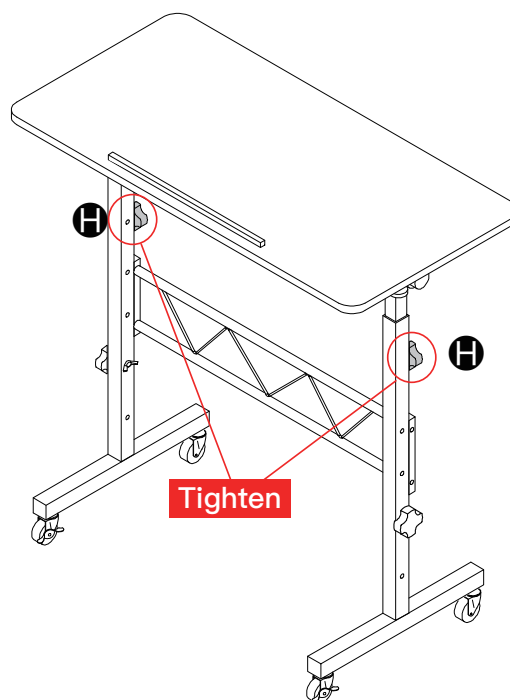
(1) Loosen the **H** star head screws, lift the desk to the desired height.



(2) Remove the **G** star head screws to the desired position and secure them.

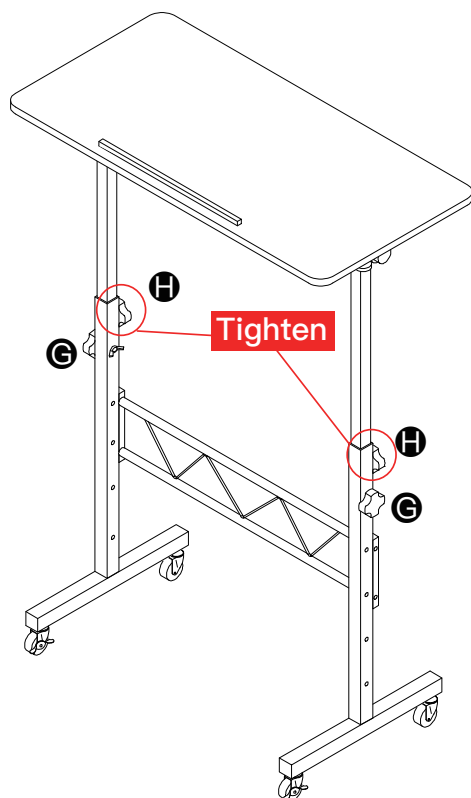


(3) Tighten the **H** star head screws. Complete.

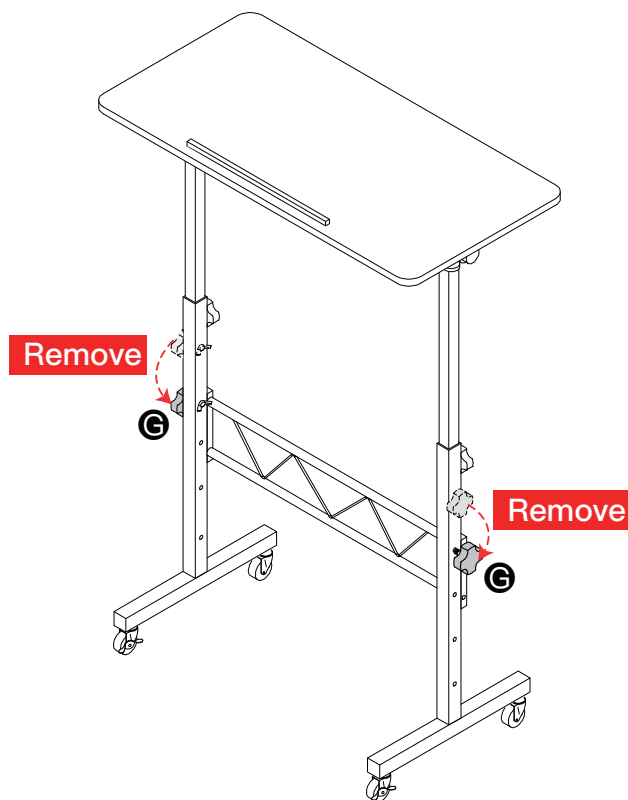


b. Lower the desk.

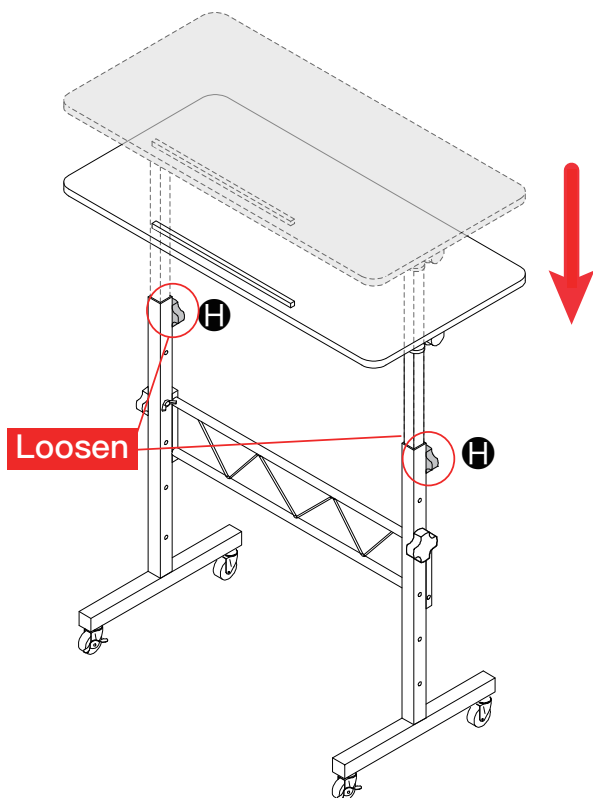
(1) Ensure that the **H** star head screws are tightened.



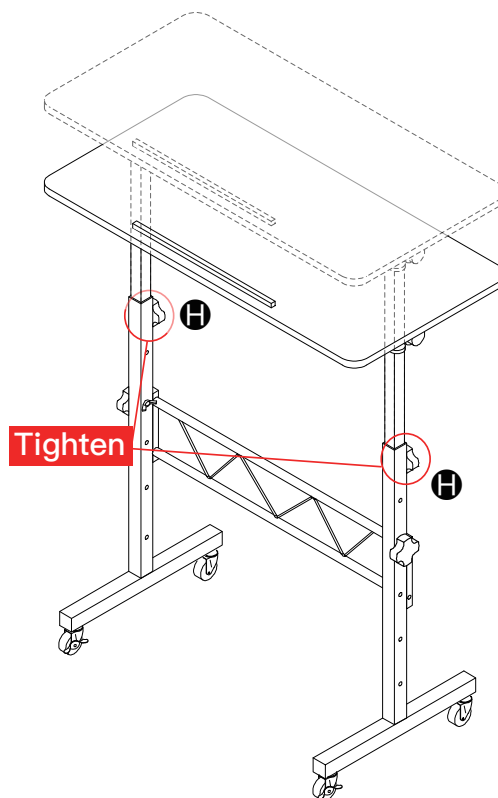
(2) Remove the **G** star head screws to the desired position and secure them.



(3) Loosen the **H** star head screws, wait for the desk to lower.



(4) Tighten the **H** star head screws. Complete.

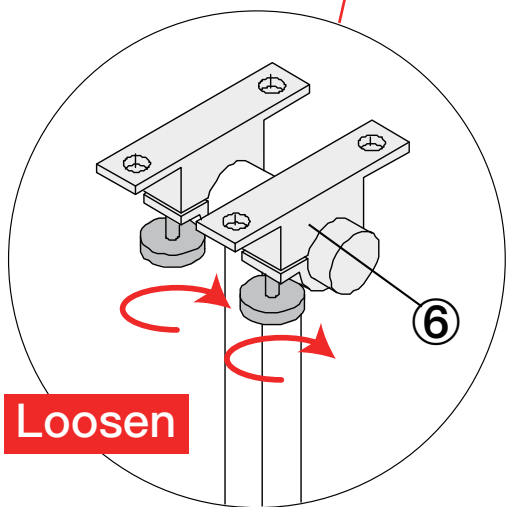
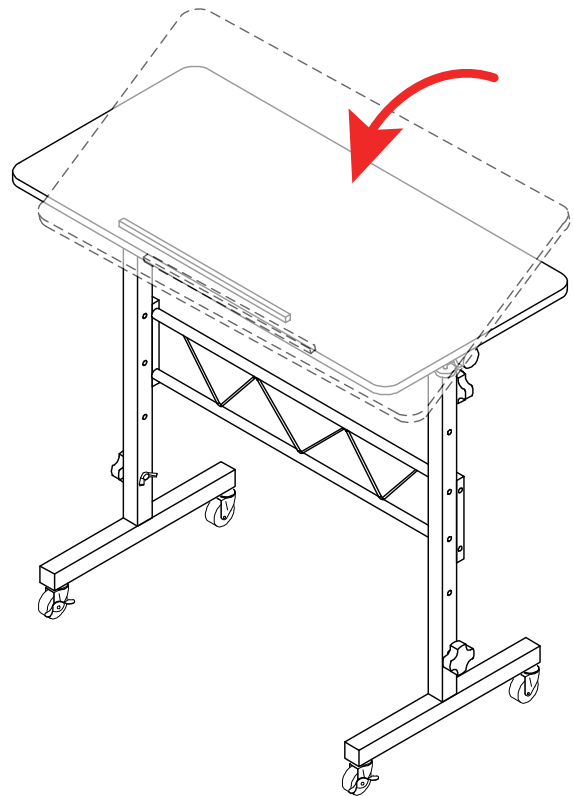
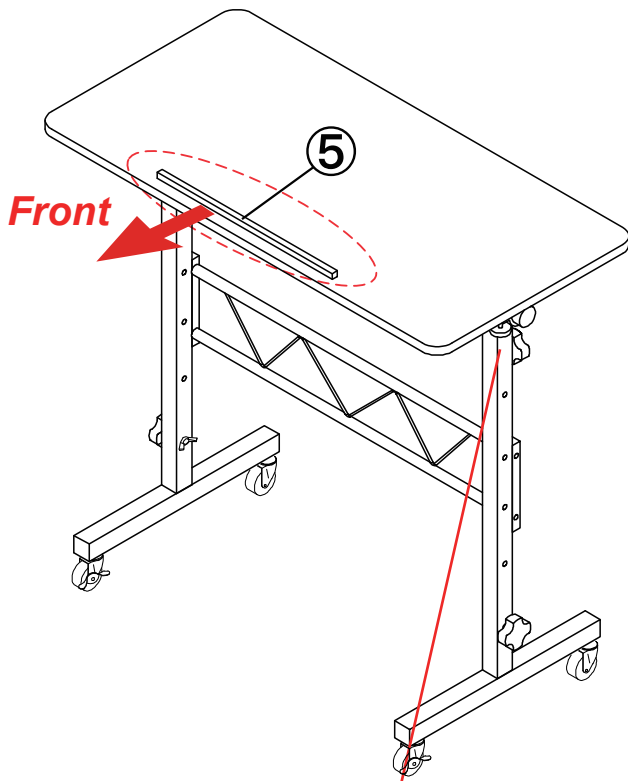


DEAKTOP ANGLE ADJUSTMENT

⚠️ WARNING ⚠️



When rotating, SECURE all items on the desktop to prevent them from falling off.



Desktop rotation angle range: 180°~270°

*Loosen angle adjuster ⑥ to adjust the desktop to the desired angle, then tighten them.