

ASSEMBLY INSTRUCTION

Thank you for purchasing this quality product. Be sure to check all packing material carefully for small parts which may have come loose inside the carton during shipment. Separate, identify and count all parts and hardware. Compare with the parts list to be sure all parts are present.

IMPORTANT : PLEASE READ INSTRUCTION BEFORE STARTING THE ASSEMBLY.

"DO NOT TIGHTEN SCREWS UNTIL COMPLETELY ASSEMBLED"

"DO NOT OVERTIGHT ANY HARDWARE"

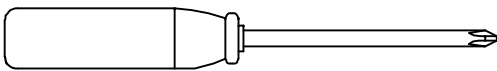
WARNING : SMALL PARTS AND HARDWARE NOT FOR CHILDREN UNDER 3 YEARS. ADULT ASSEMBLY REQUIRED.

TABLE OF CONTENTS

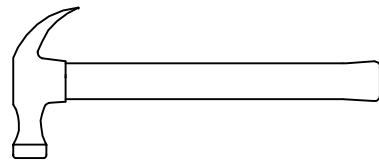
HARDWARES LIST	PAGE 2
PARTS LIST	PAGE 3
PARTS' LOCATION	PAGE 4
ASSEMBLY STEPS	PAGE 5 - 6
ASSEMBLY COMPLETED	PAGE 7

ASSEMBLY TOOLS REQUIRED

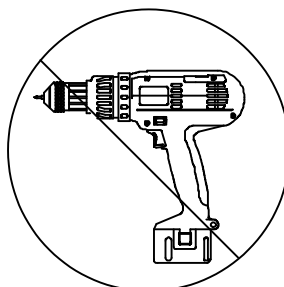
1. Screwdriver (not provide)



2. Hammer (not provide)

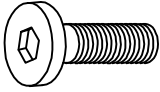
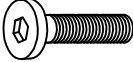
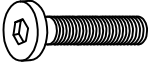
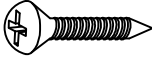








Skip the power trip this time.



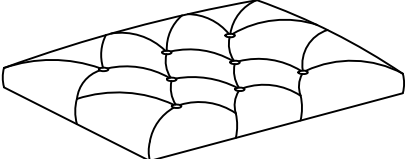
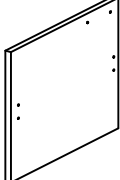
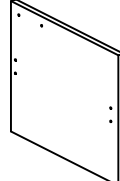
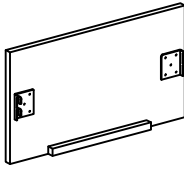
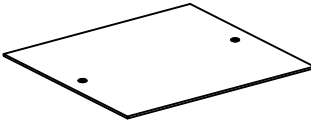
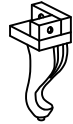
ASSEMBLY INSTRUCTION

HARDWARES LIST

ITEM	DESCRIPTION	DRAWING	QTY
A	JCBC SCREW M8 x 16MM		8 PCS
B	JCBC SCREW M6 x 15MM		8 PCS
C	JCBC SCREW M6 x 35MM		8 PCS
D	PANHEARD SCREW (M4 x 16MM)		4 PCS
E	HINGER (LEFT)		1 PC
F	HINGER (RIGHT)		1 PC
G	SPRING WASHER M6 x 12MM		8 PCS
H	FALT WASHER M6 x 19MM		8 PCS
I	M4 ALLEN KEY (65MM)		1 PC
J	M5 ALLEN KEY (65MM)		1 PC

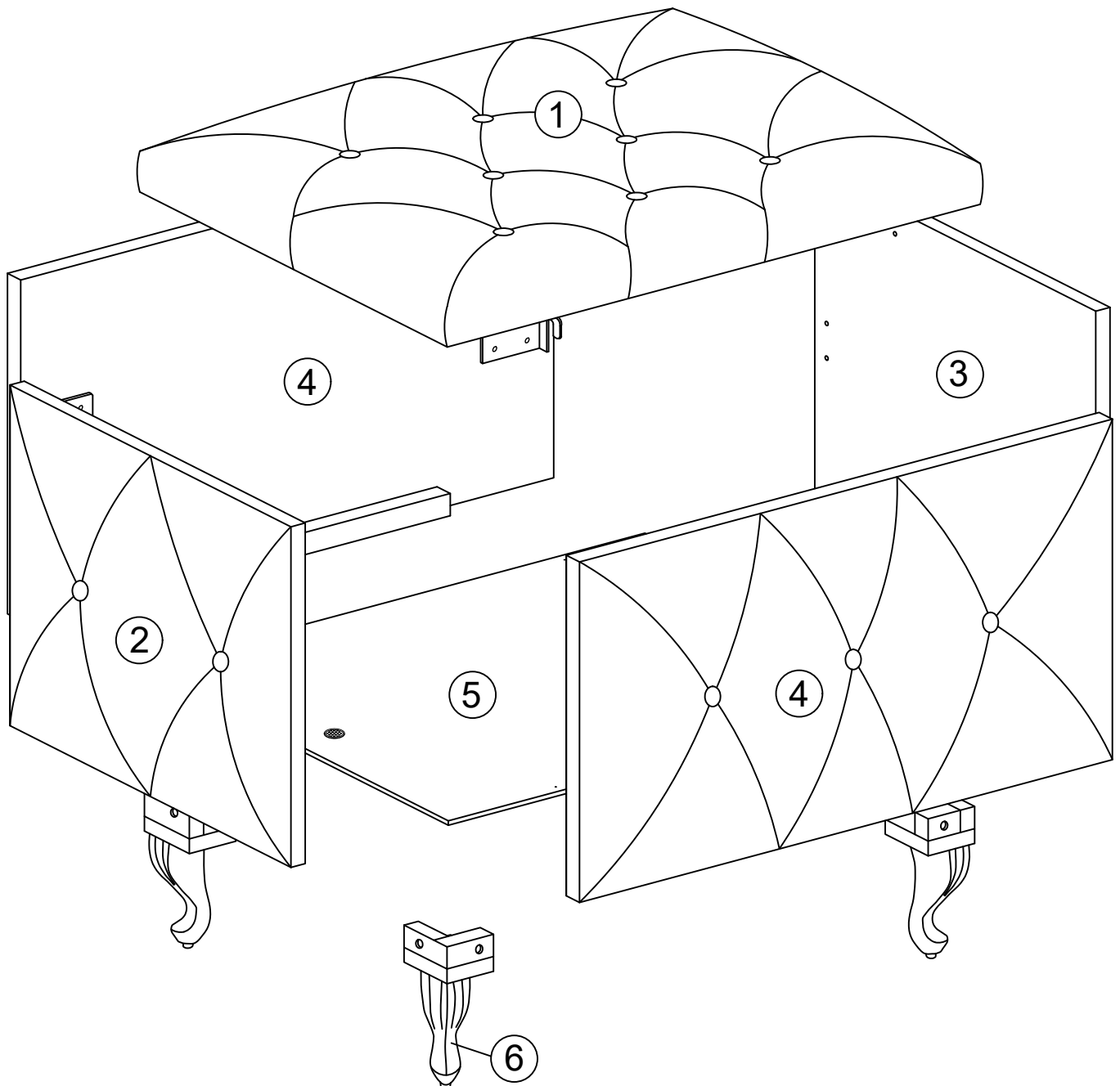
ASSEMBLY INSTRUCTION

PARTS LIST

ITEM	DESCRIPTION	DRAWING	QTY
1	TOP PAENEL		1 PC
2	SIDE PANEL (L)		1 PC
3	SIDE PANEL (R)		1 PC
4	FRONT / BACK PANEL		2 PCS
5	BOTTOM PANEL		1 PC
6	LEG		4 PCS

ASSEMBLY INSTRUCTION

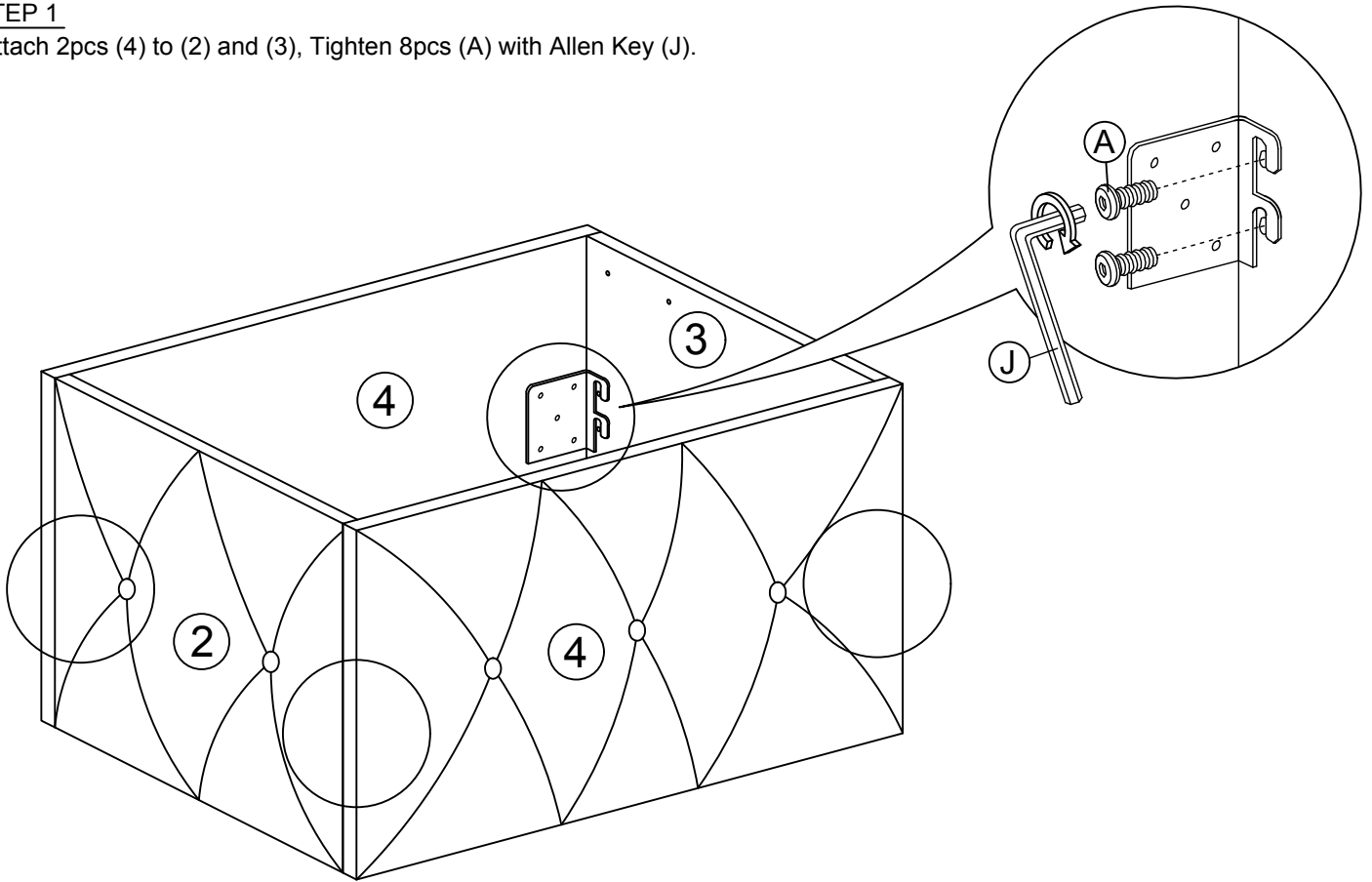
PARTS ' LOCATION



ASSEMBLY INSTRUCTION

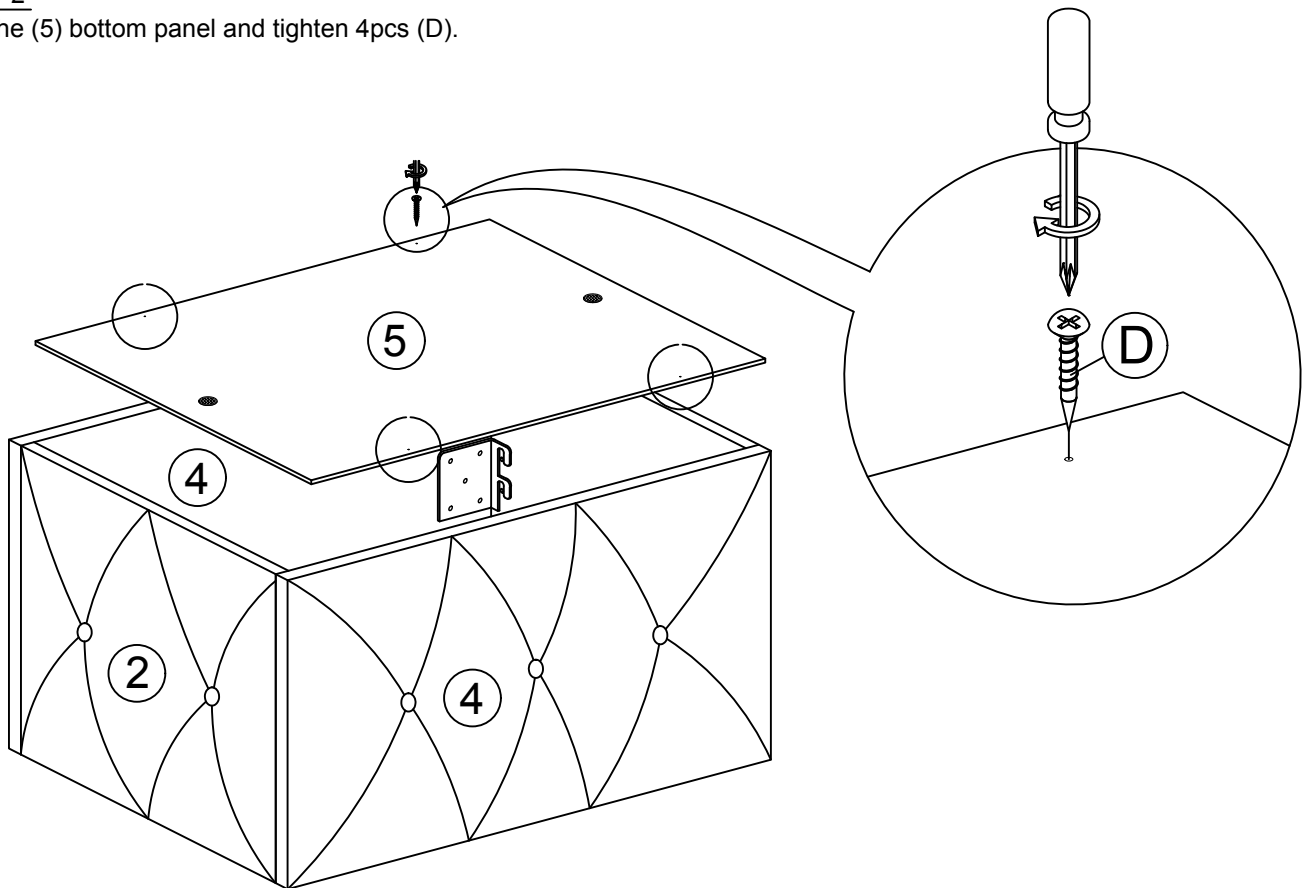
STEP 1

Attach 2pcs (4) to (2) and (3), Tighten 8pcs (A) with Allen Key (J).



STEP 2

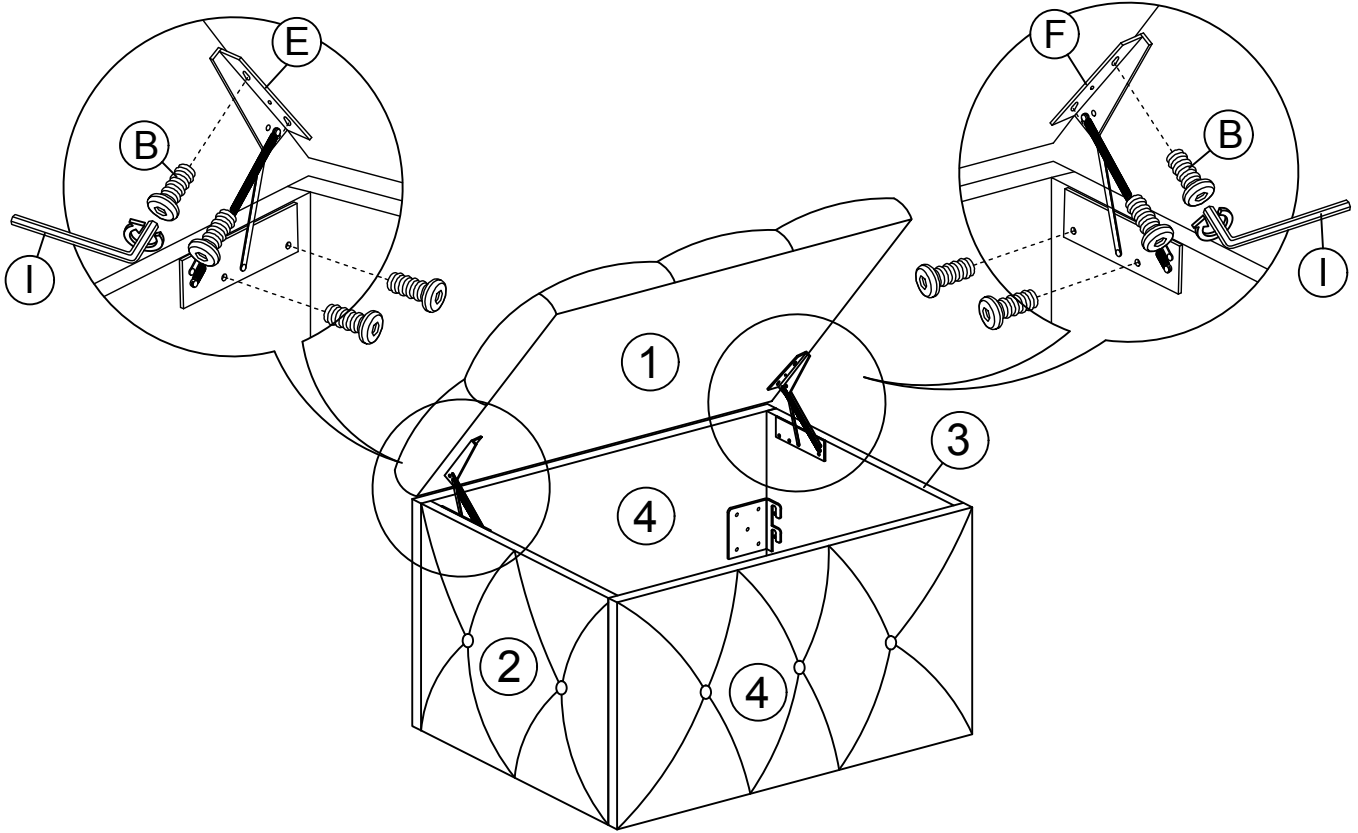
Put the (5) bottom panel and tighten 4pcs (D).



ASSEMBLY INSTRUCTION

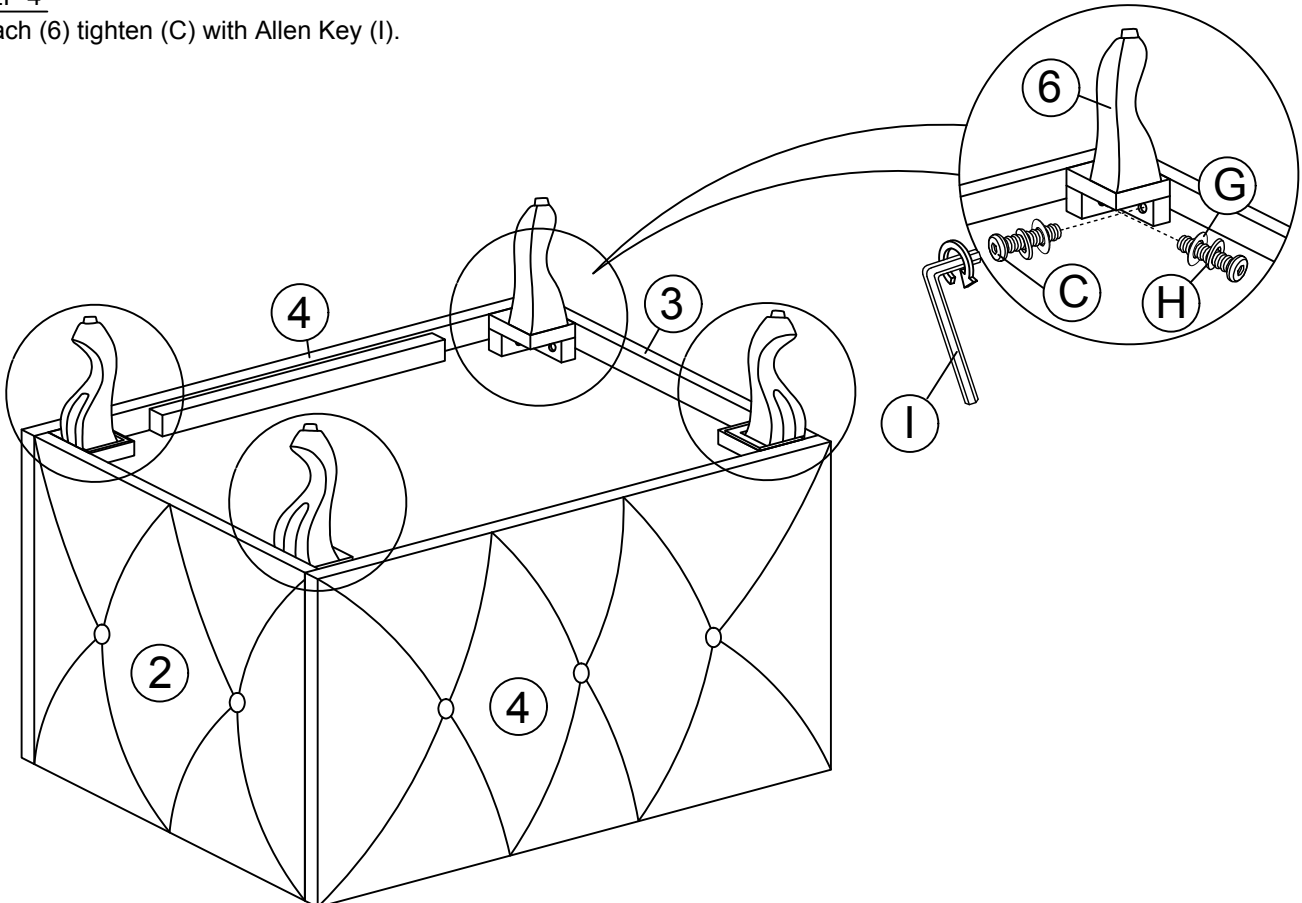
STEP 3

Attach (E) and (F) to (1), (2) and (3), Tighten (B) with Allen Key (I).



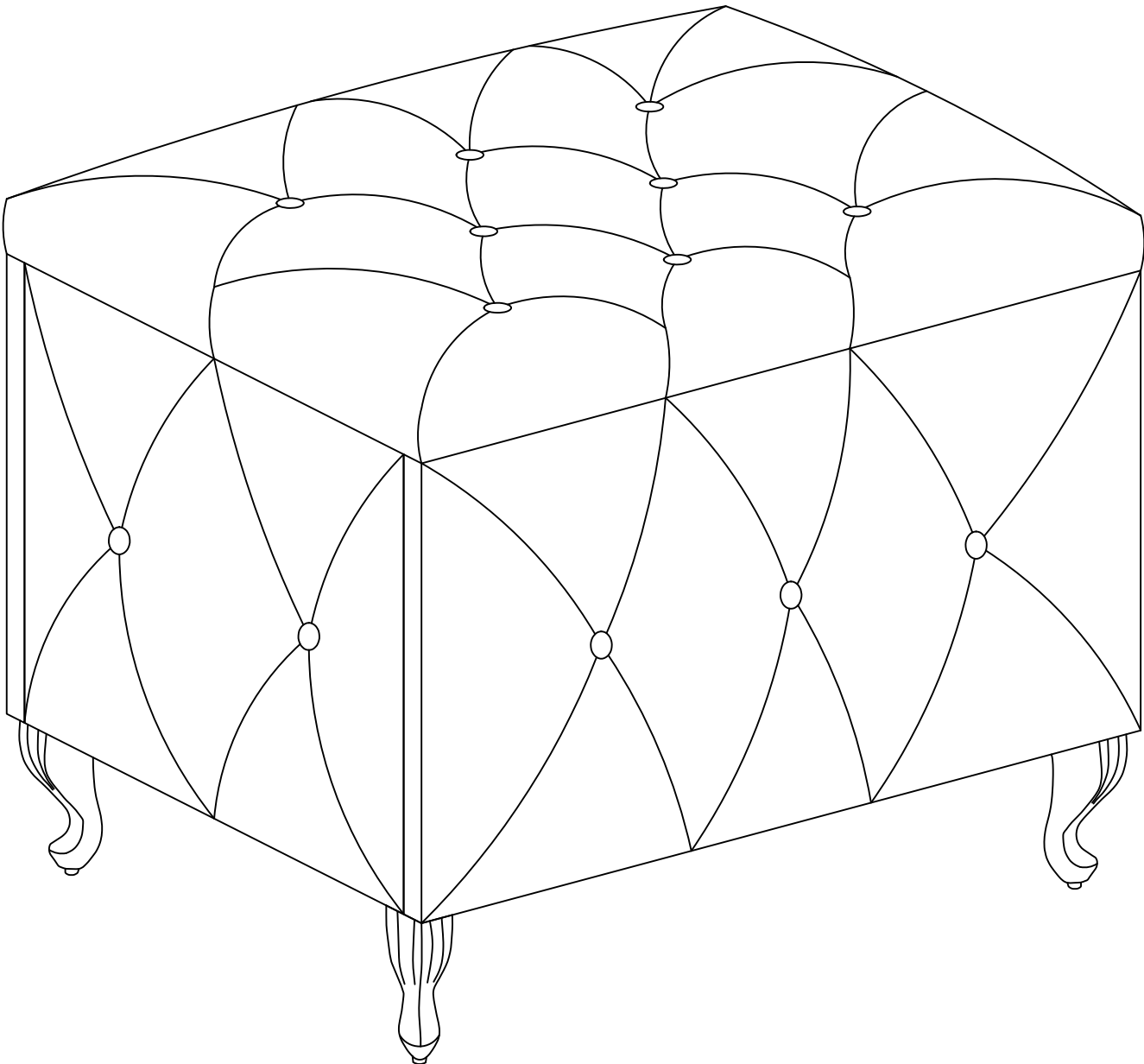
STEP 4

Attach (6) tighten (C) with Allen Key (I).



ASSEMBLY INSTRUCTION

STEP 5



ASSEMBLY COMPLETED