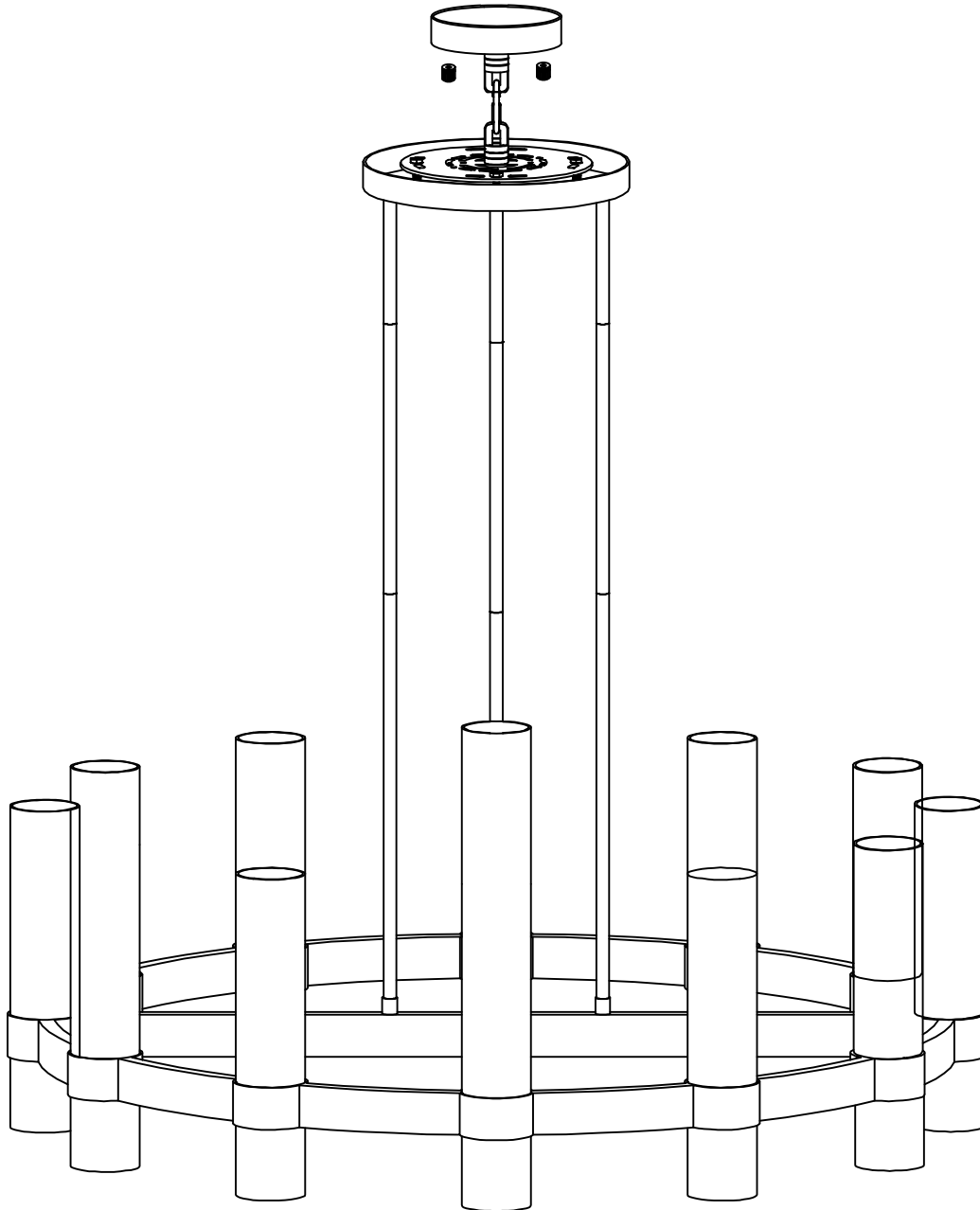
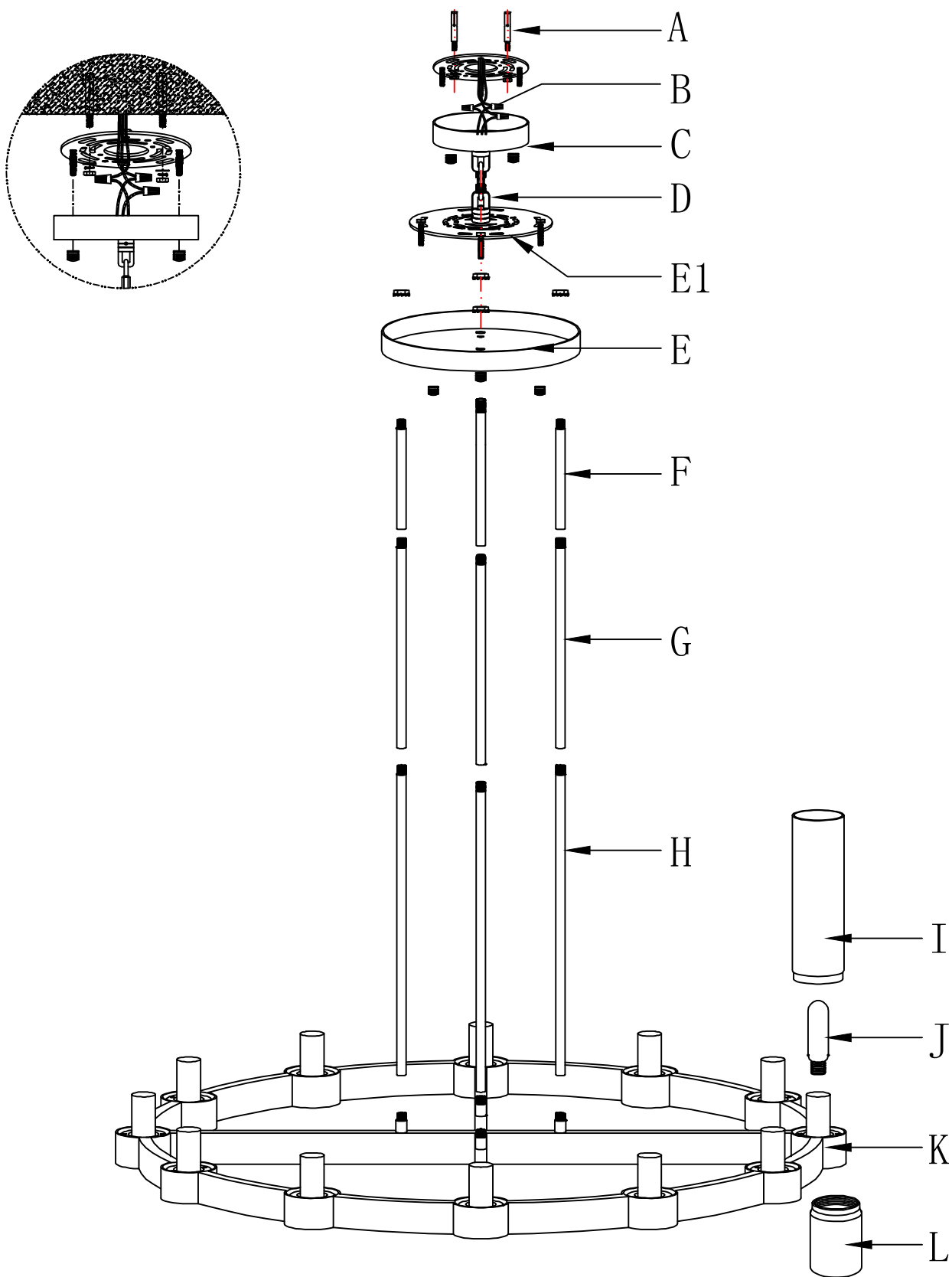


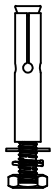
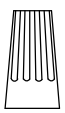
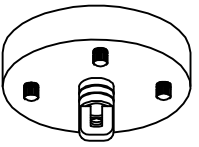
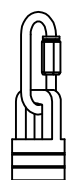
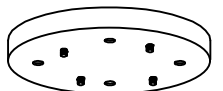




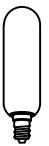
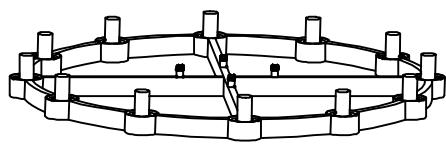

INSTALLATION MANUAL



Open the box, and take out all the accessories
you will get the following items.

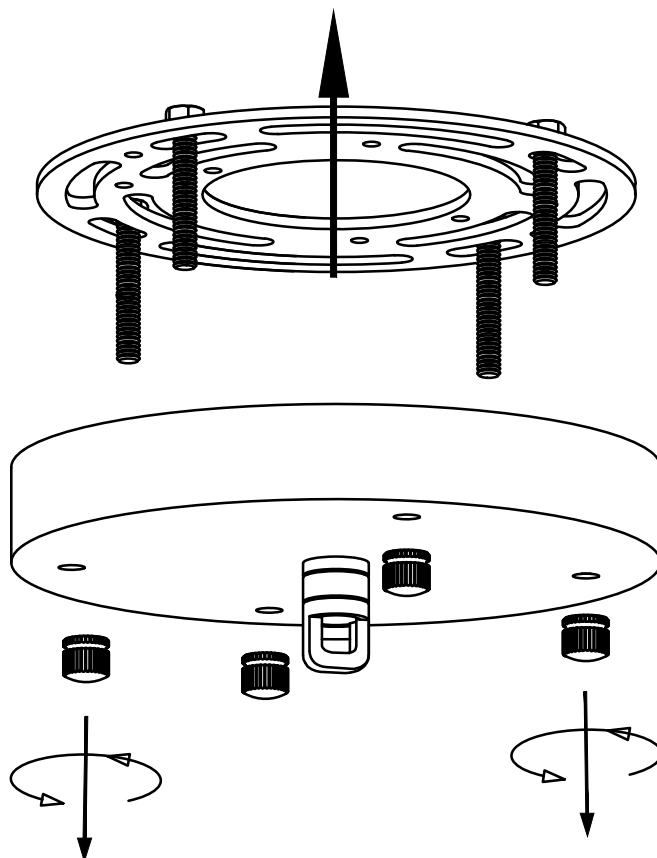


accessories list

A*4 	B*1 	C*1 	D*1 	E*1 
F*8 	G*8 	H*8 	I*12 	J*12 
K*1 		L*12 		

NO.	Specification Name	QT	NO.	Specification Name	QT
A	Expansion bolt	4	H	Circular Tube L450mm	8
B	Wire Connector	3	I	Glass tube ϕ 65*210	12
C	Ceiling Plate ϕ 120	1	J	E12 Bulb	12
D	Sling Shackl+Lifting Ring	1	K	Lamp body	1
E	Ceiling Plate ϕ 250	1	L	Glass tube ϕ 65*80	12
F	Circular Tube L150mm	8			
G	Circular Tube L300mm	8			

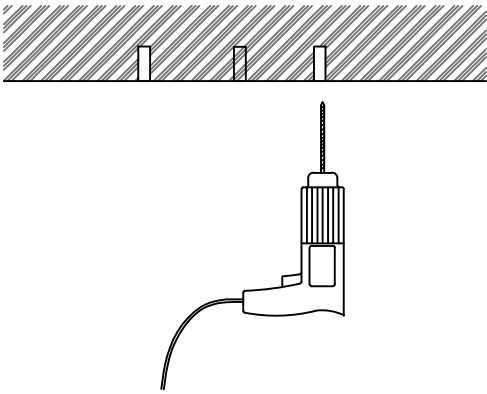
Step 1



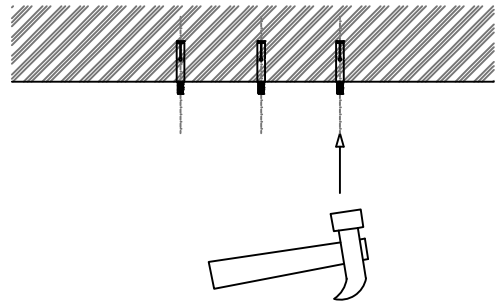
Loosen the screws cap of the hanging plate to take out the hanging plate

Step 2

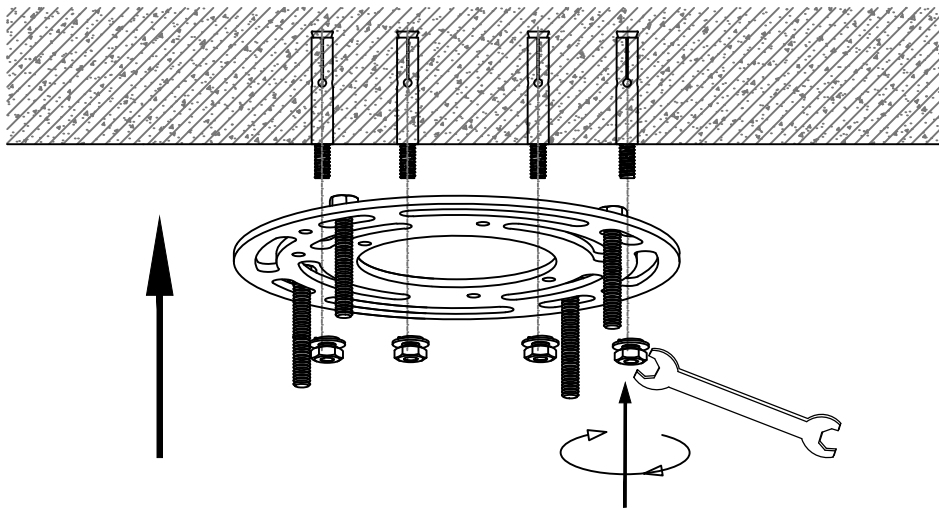
①



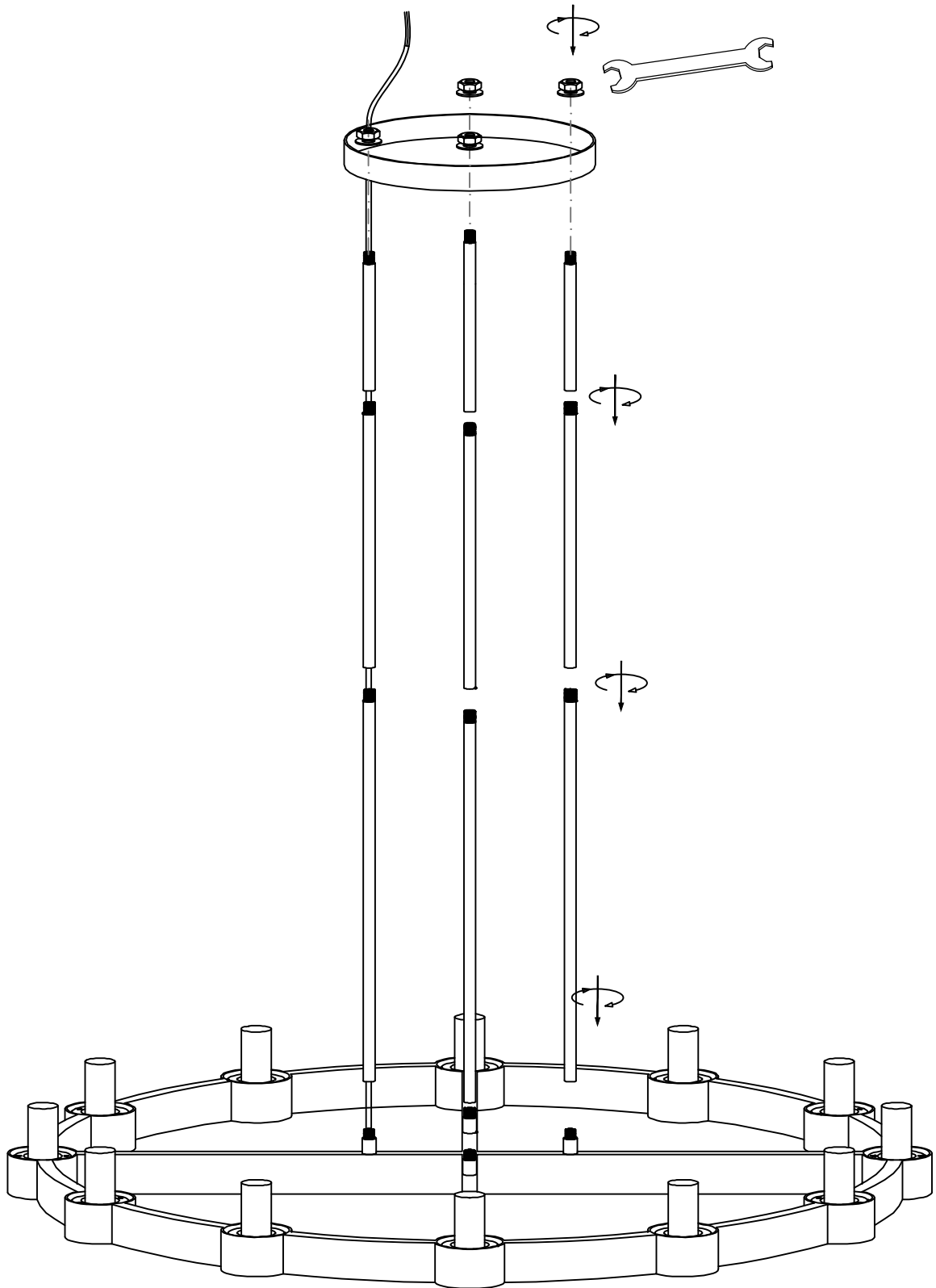
②



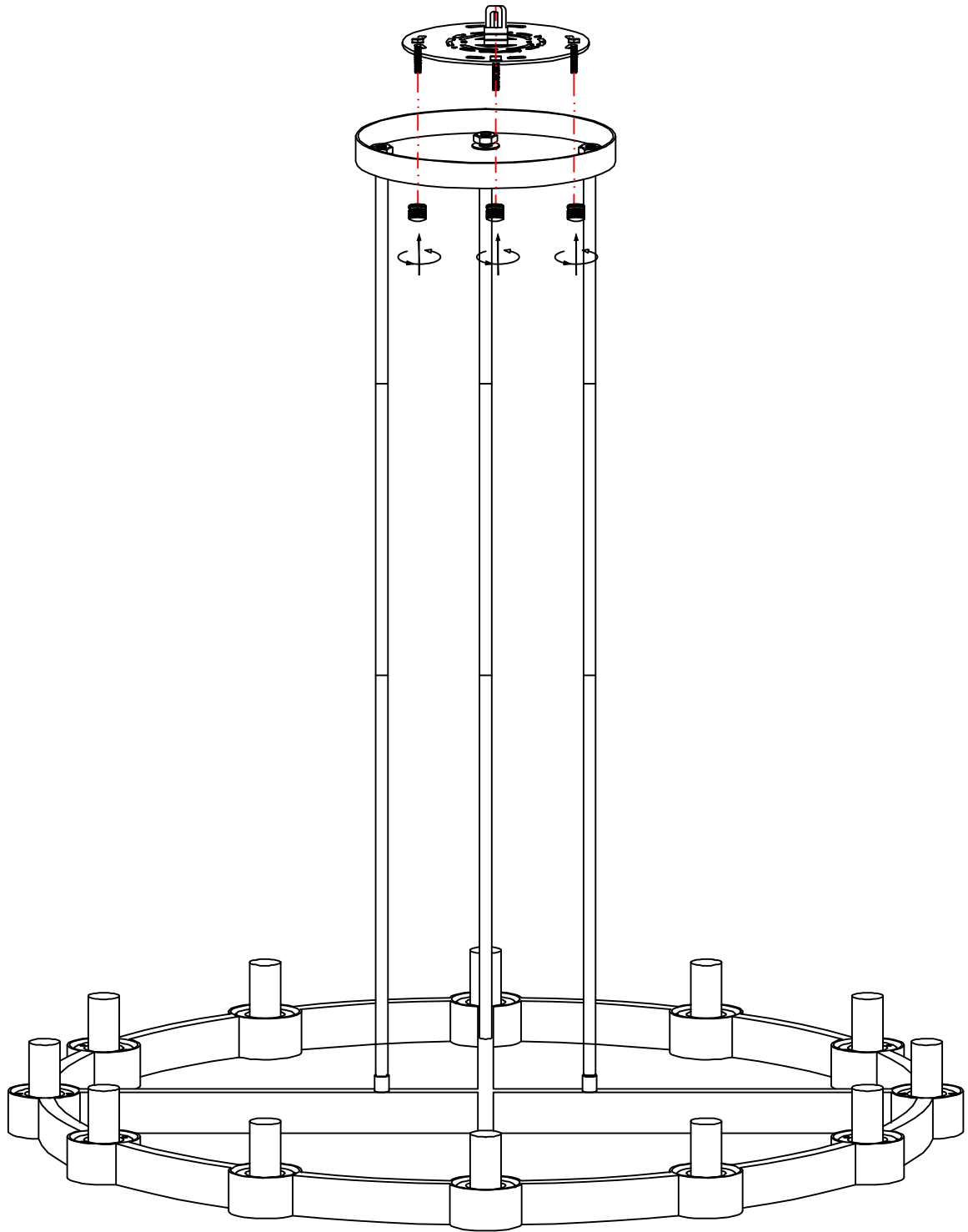
Step 3



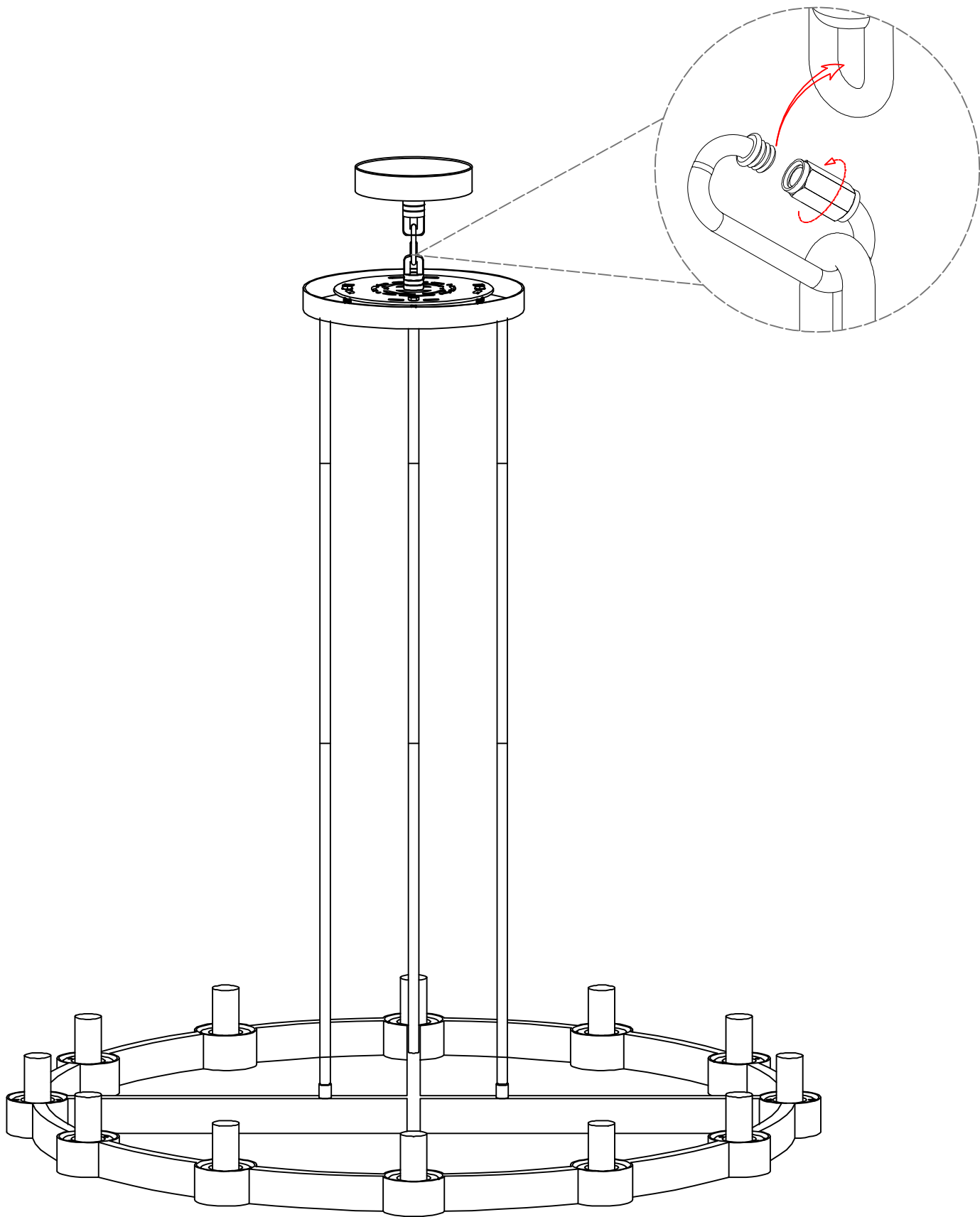
Step 4



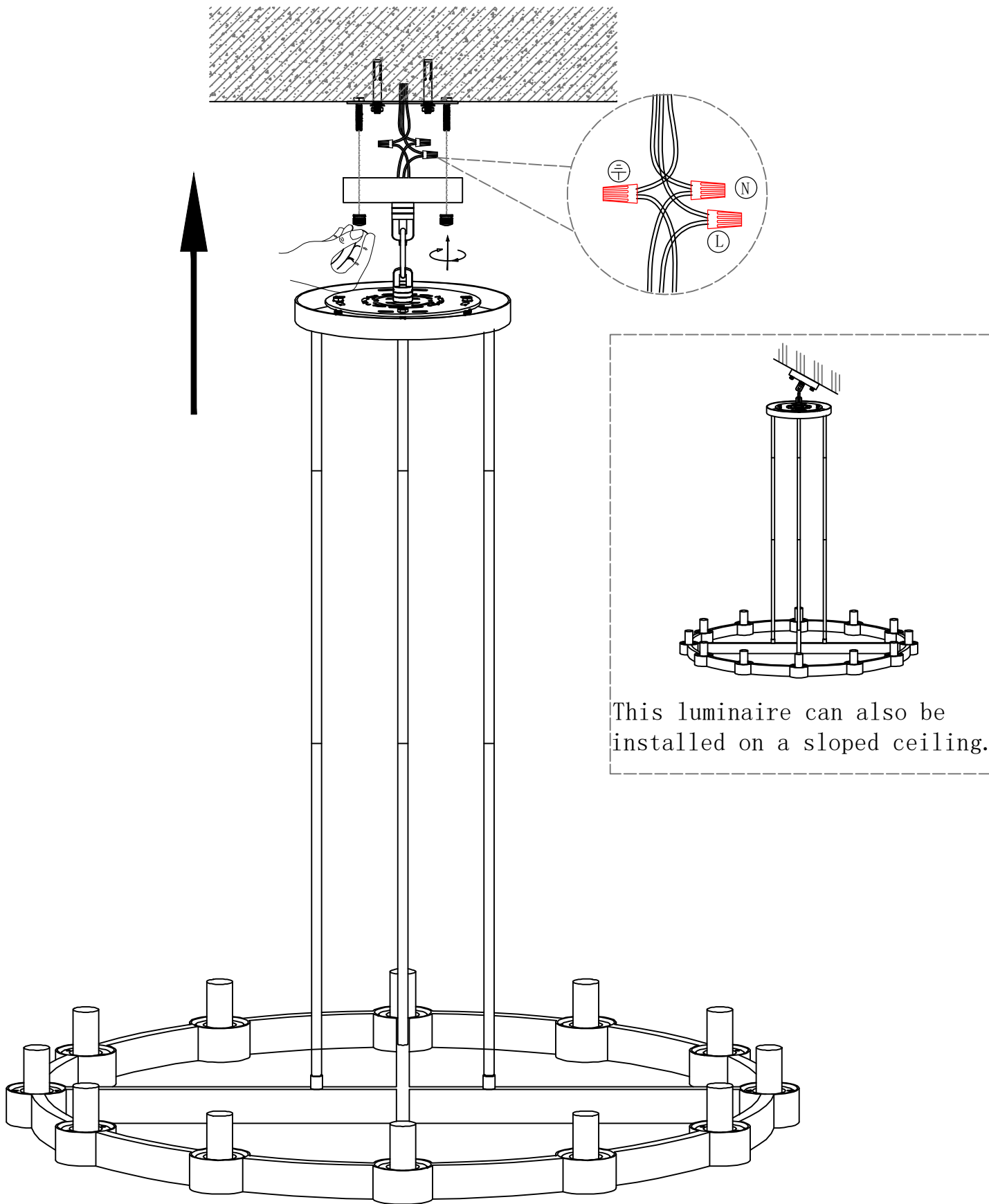
Step 5



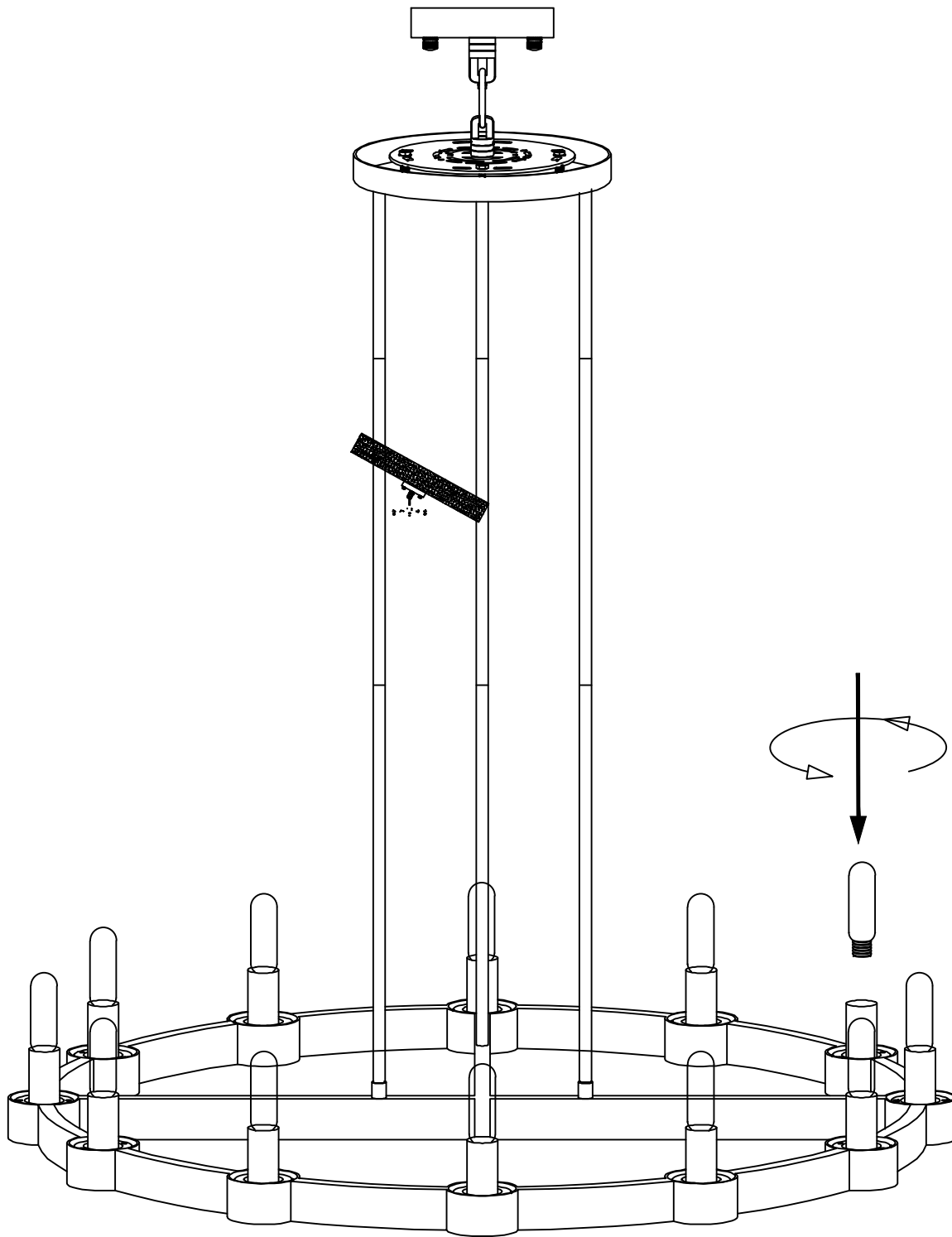
Step 6



Step 7



Step 8



FAQ

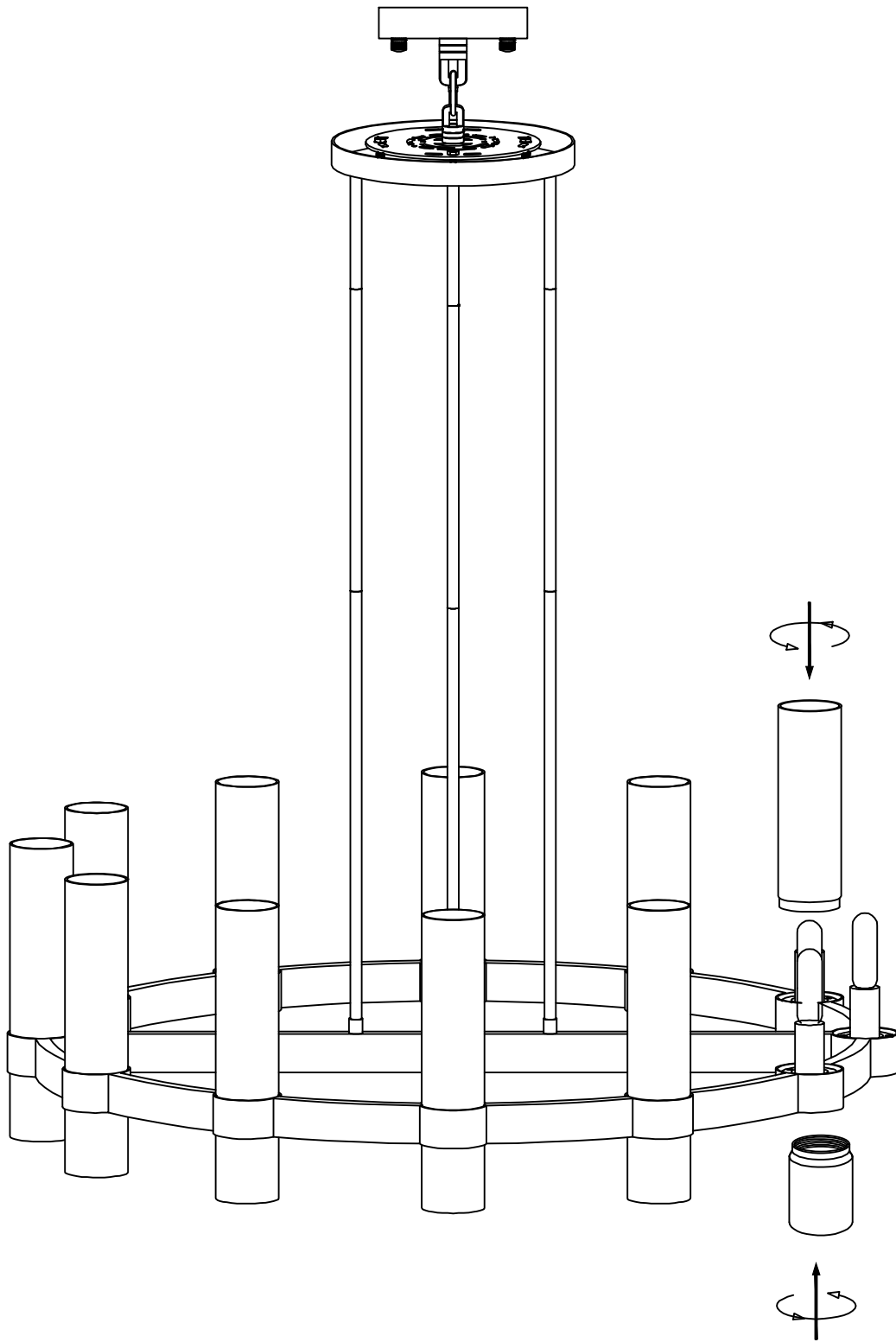
Q: When installing a light bulb, I noticed it's crooked (not level). What should I do?

A: You can slightly loosen the bulb, then gently adjust it by hand until it's straight and properly aligned with the socket.

After this adjustment, the bulb won't touch the lampshade anymore.

(Due to the long length of this bulb, similar problems may occur when installing it, it is not a product defect, you just need to make adjustments manually)

Step 9



No matter what problems or questions you encounter during the installation or use of the chandelier, please feel free to contact us, we will reply to you within 24 hours and quickly solve or answer for you!

When you leave a message to us online, please leave your order ID and case details. The more detailed and accurate descriptions you provide, the faster and more accurate solutions we will offer!

SAFETY INSTRUCTIONS

These instructions are provided for your safety. It is very important that you read the instructions completely before starting the installation of your fixture.

1. We recommend installation by a licensed electrician .
2. This fixture require E12 bulbs(INCLUDED) and bulb rated wattage: Max 10W. Low wattage LED bulbs are recommended. To avoid risk of fire, do not exceed the recommended wattage.
3. If any special control devices are used with this fixture, follow the instructions carefully to assure full compliance with N.E.C. requirements. If there are any problems, contact a qualified electrical contractor.
4. Please ensure that you shut off the main electrical supply before installation, changing bulbs or cleaning light fixture.

WARNINGS

This is not a toy and the product has no play value.
Keep at least 3 feet away from cribs, bassinets and toddler beds.
Keep out of reach of children under 3 years of age.



PREPARATION

1. Please prepare the E12 bulbs in the package in advance.
2. Please keep the installation position clean and tidy so as not to miss the small accessories.