

# ASSEMBLY INSTRUCTIONS:

2311-2312-521T: ROUND PEDESTAL TABLE TOP  
 2311-2312-521B : ROUND PEDESTAL TABLE BASE

# LEGACY

CLASSIC | MODERN

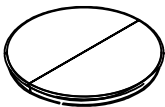
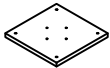



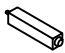
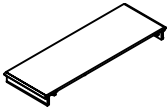
Thank you for purchasing this quality product. Before beginning, please check the packing material carefully for small parts which may have come loose inside the carton during shipping. Please do not discard any packing material until all parts have been located. If any parts are missing, please contact your dealer for prompt replacement.







**Caution:** (1) These parts are cumbersome and heavy. This product can best be assembled with the assistance of one or more persons in order to prevent personal injury and to insure parts are not damaged during the assembly process. If dirty, clean finished parts with mild dishwashing liquid and water solution applied on damp cloth. Cloth should not be excessively wet. Polish finish with soft cloth and an industry recognized furniture polish.

(2) To prevent damage to your floor or carpet, please check the bottom of each piece of furniture for stain residue and rough surfaces and also check for staples or nails left after removing the packaging material. The manufacturer will not be held responsible if preventative steps are not taken prior to installation.

(3) During normal use everyday, screws, bolts, nuts and wooden plugs may loosen up. They should be periodically inspected and re-tightened to prevent damage to the furniture and (or) personal property or cause injury. Always check to be sure all hardware on this list and the below mentioned components are attached to the furniture properly and kept tightened.

## Parts & Hardware List:

NO	PARTS LIST		Q'ty
A	TOP FRAME		1pc
B	TOP PANEL		1pc
C	POST		1pc
D	LEGS		4pcs
E	FOOT		1pc
F	SUPPORT LEG		1pc
G	LEAF TOP		1pc

NO	HARDWARE LIST		Q'ty
1	ALLEN WENCH		4 mm 1pc
2	WRENCH		#12 x 3-1/2" 1pc
3	BOLT		5/16" x 1-1/2" 8pcs
4	NUT		5/16" x 12mm 4pcs
5	LOCK WASHER		5/16" 12pcs
6	FLAT WASHER		5/16" 12pcs

### Assembly Procedures:

Step 1: Lay all parts and hardware out on a clean protective surface to protect them during assembly.

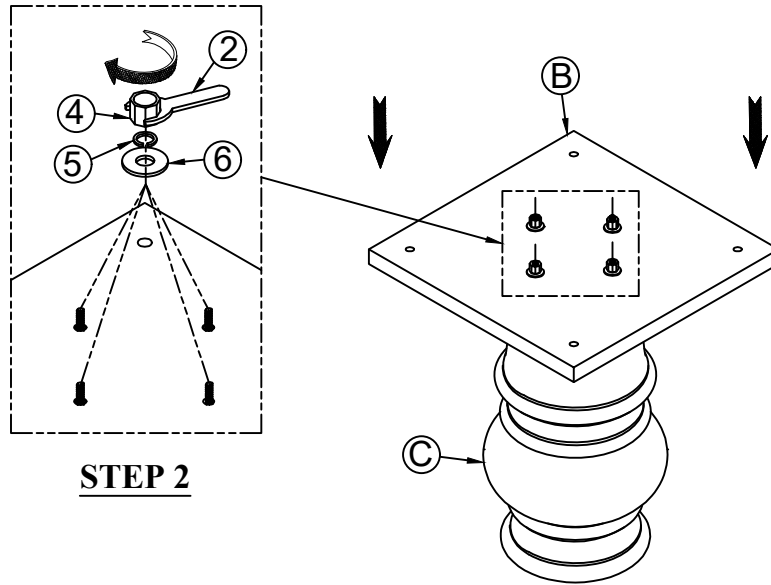
Make sure the quantity of each is correct and let the feet are free of stain, staples, screws and nails

# ASSEMBLY INSTRUCTIONS:

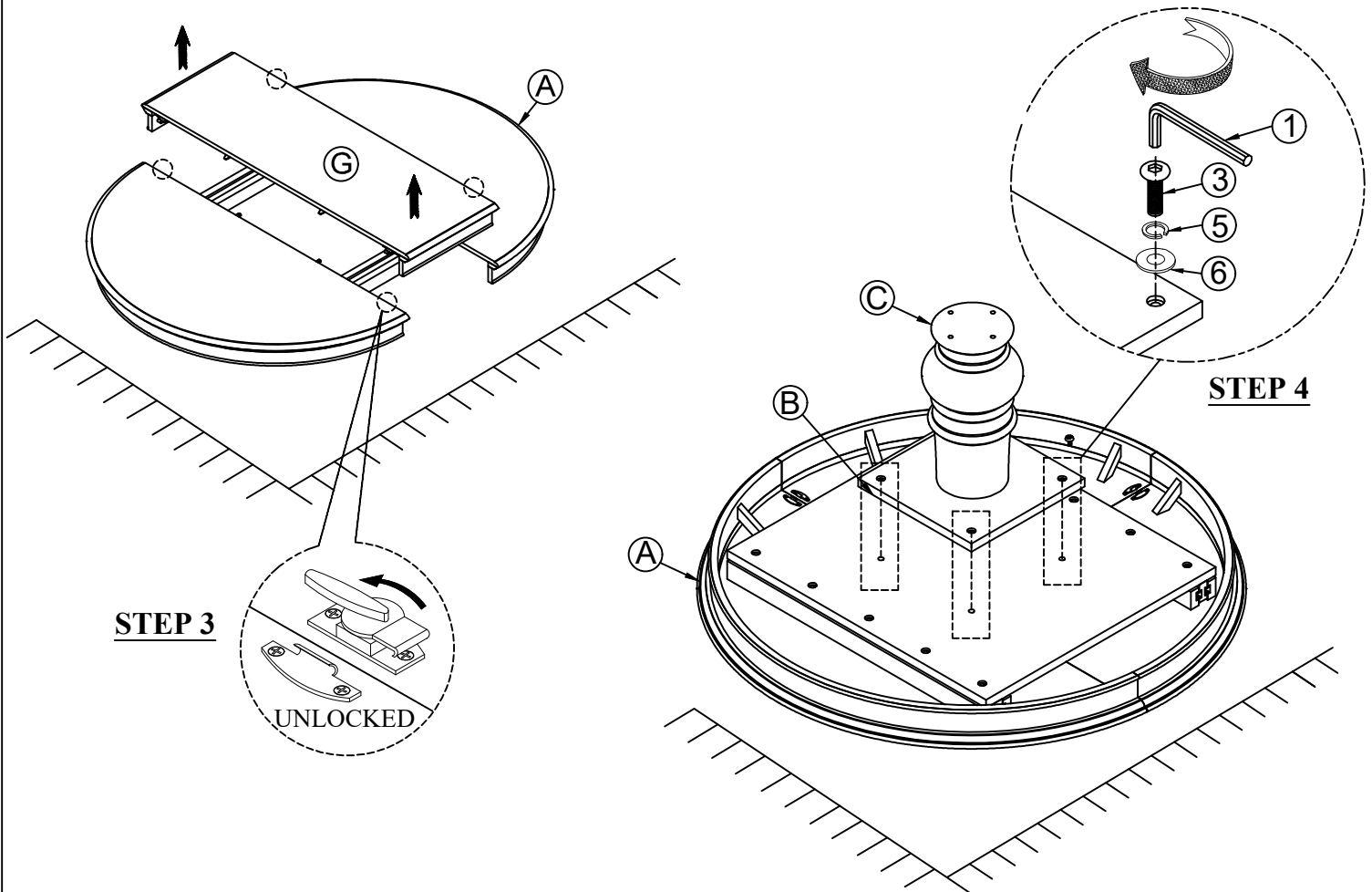
2311-2312-521T: ROUND PEDESTAL TABLE TOP  
2311-2312-521B : ROUND PEDESTAL TABLE BASE

# LEGACY

CLASSIC | MODERN



**STEP 2**



**STEP 3**

**STEP 4**

## **Assembly Procedures:**

Step 2: Attach Top panel (B) to the post (C) by using hardware (2,4,5,6) as shown.

Step 3: Remove the Leaf (G) from the Top frame (A) as shown.

Step 4: Attach Top panel (B) to the Top frame (A) by using hardware (1,3,5,6) as shown.

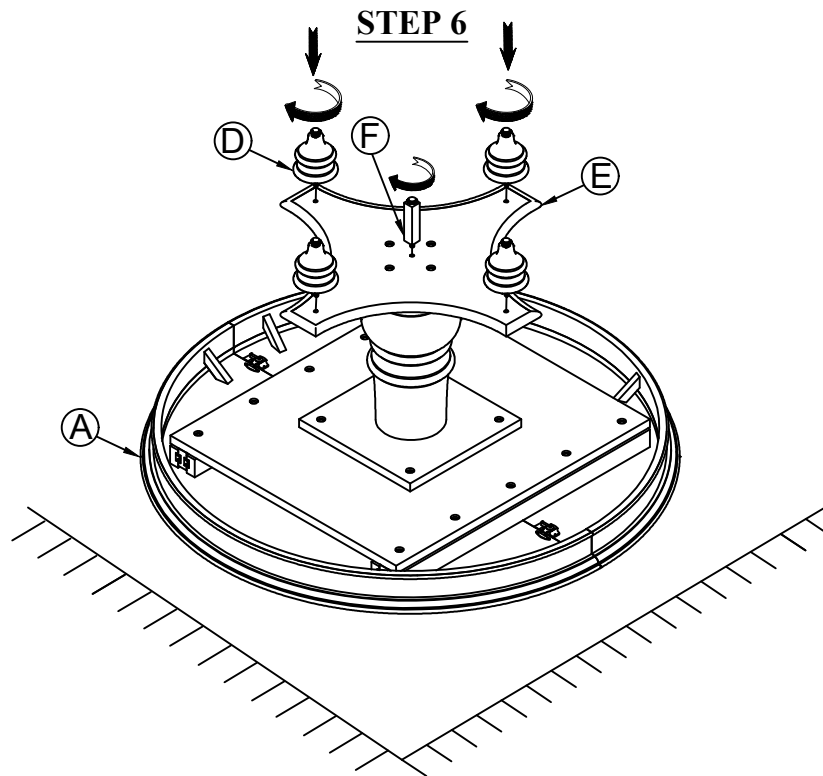
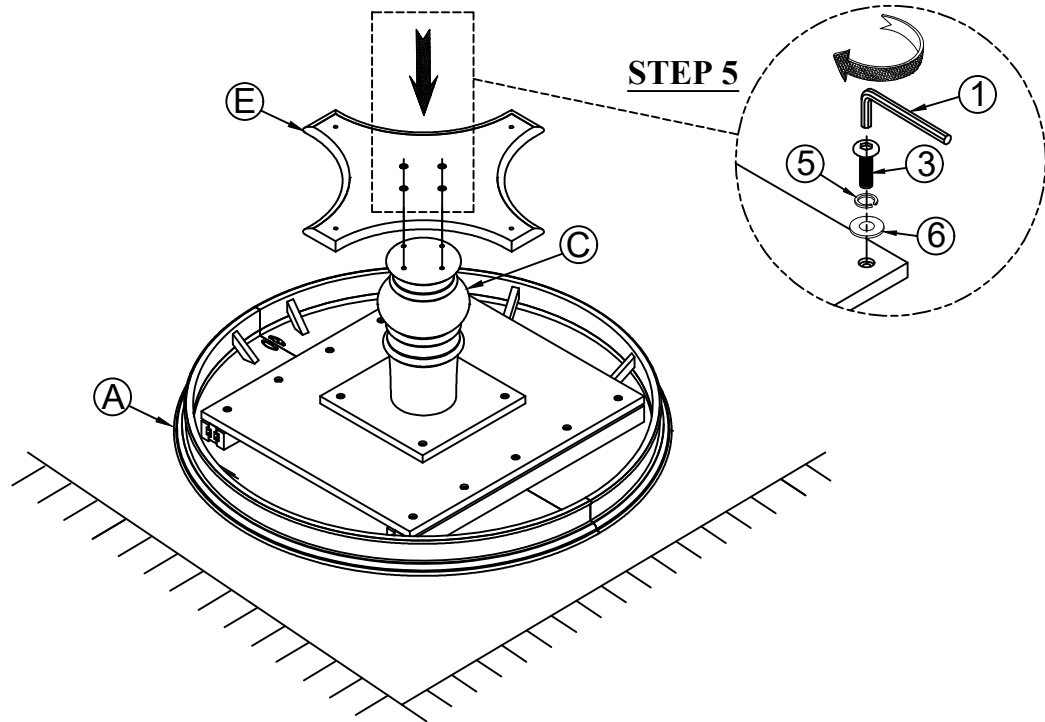
Loosely attach the bolts individually, then fully tighten after all bolts are attached.

# ASSEMBLY INSTRUCTIONS:

2311-2312-521T: ROUND PEDESTAL TABLE TOP  
2311-2312-521B : ROUND PEDESTAL TABLE BASE

# LEGACY

CLASSIC | MODERN



## Assembly Procedures:

Step 5: Attach Foot (E) to the Post (C) by using hardware (1,3,5,6) as shown.

Step 6: Attach Legs (D), Support leg (F) to the Foot (E) as shown.

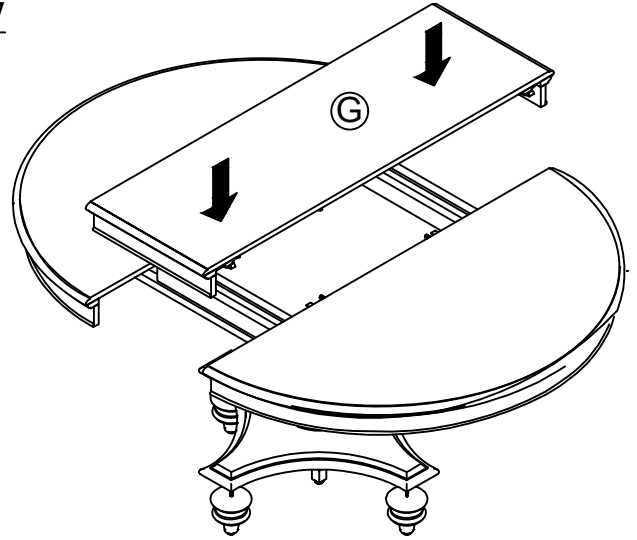
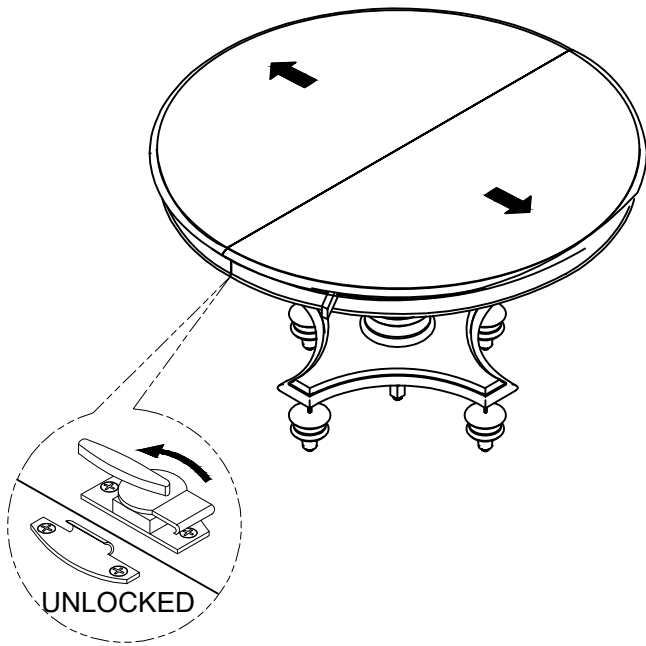
# ASSEMBLY INSTRUCTIONS:

2311-2312-521T: ROUND PEDESTAL TABLE TOP  
2311-2312-521B : ROUND PEDESTAL TABLE BASE

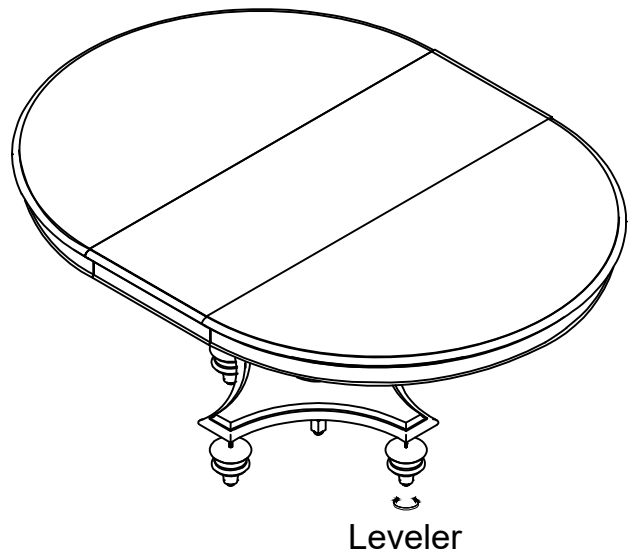
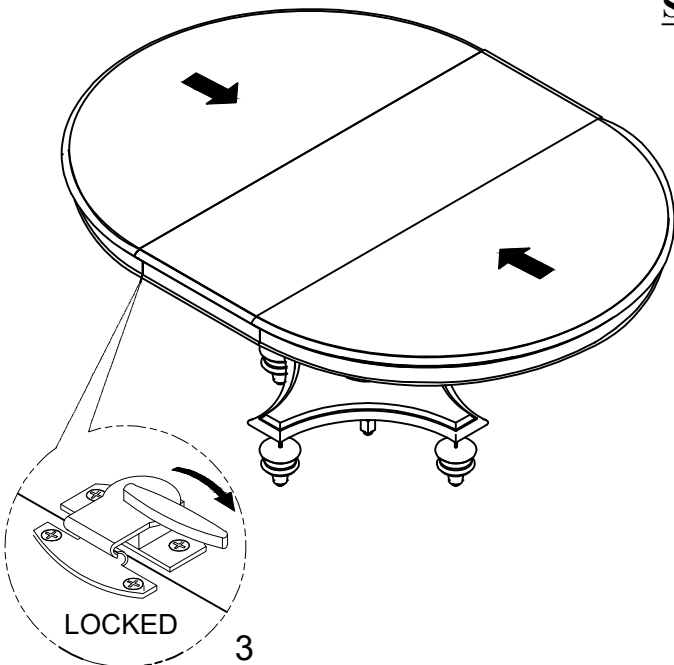
# LEGACY

CLASSIC | MODERN

## STEP 7



## STEP 8



### Assembly Procedures:

Step 7: Extend main Table top as arrows direction, put sub table top as shown.

Step 8: Push main top Table to table's center and lock as shown.