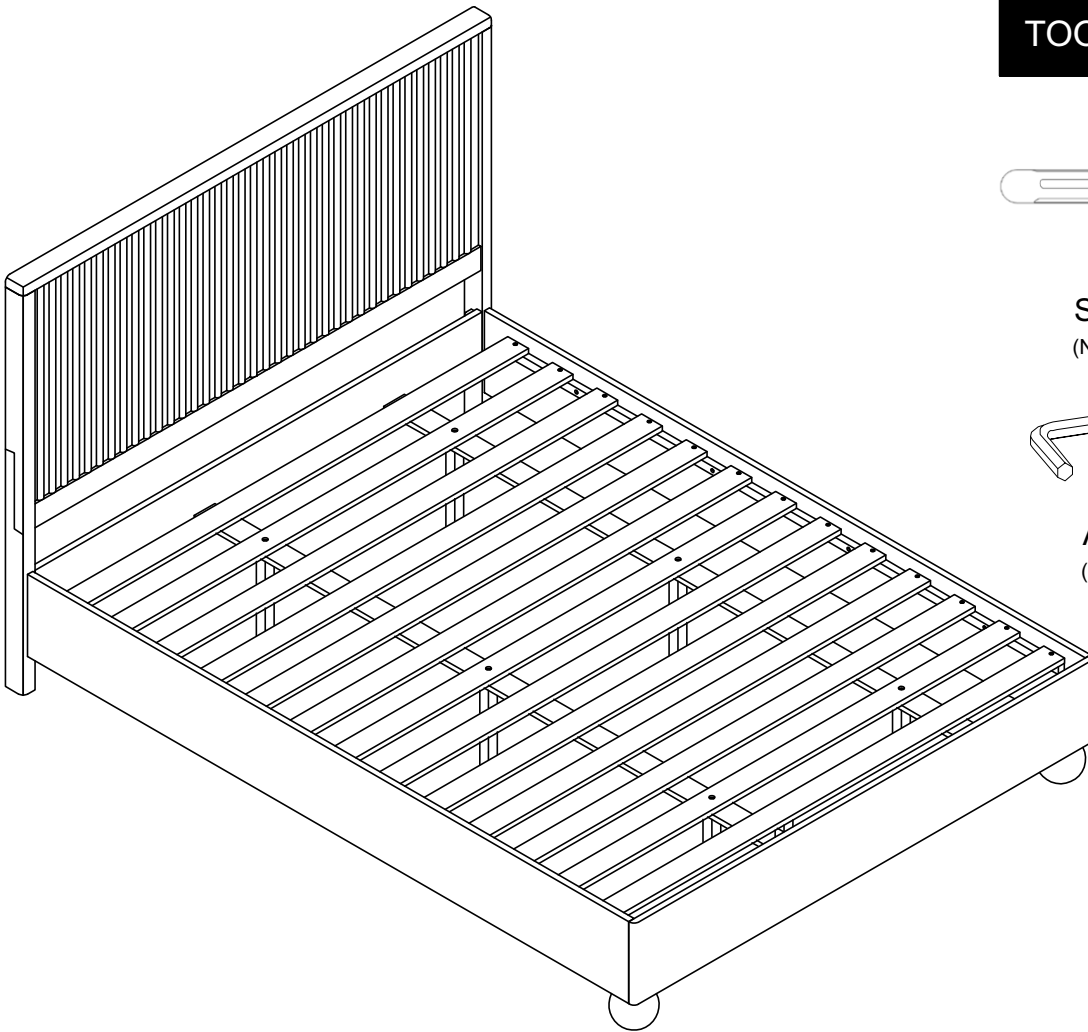


ASSEMBLY INSTRUCTIONS

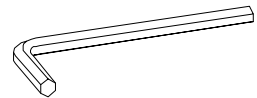
**KING BED
CALI KING BED**



TOOLS REQUIRED



Screwdriver
(Not included)

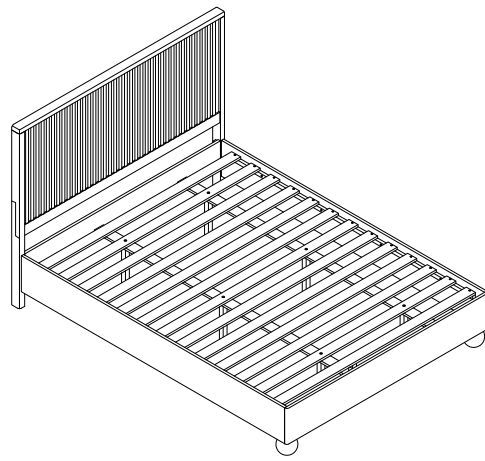



Allen key
(Included)



2 - People

Enjoying this product? We'd love your 5-star review!
If you have any issues, our support team is happy to help.



 **CHECK BEFORE STARTING**

Are you missing anything?

Please double check all hardware and parts match the assembly guide before putting the product together. If damaged, we suggest you put the item back in the box and start your claim or return

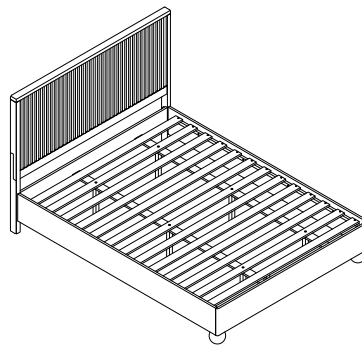
Should we send any replacements?

If there are any manufacturer defects or missing pieces please contact us for replacements. If purchased online, please contact the website of where you purchased.

IMPORTANT INFO before assembly:

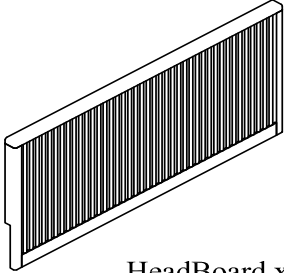


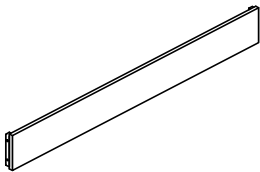
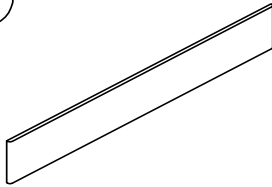
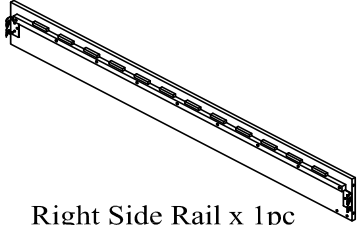
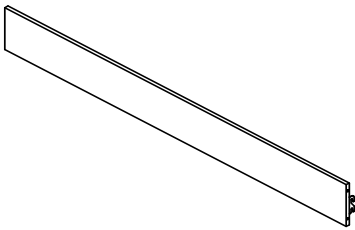
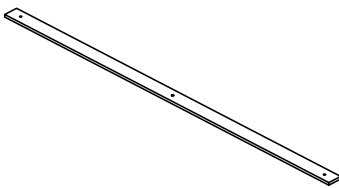

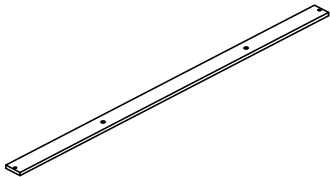
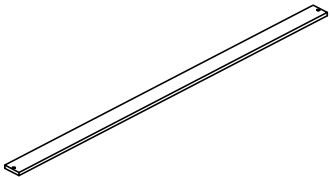
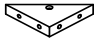
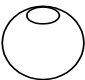
If there's a problem with the parts do not attempt to assemble the product

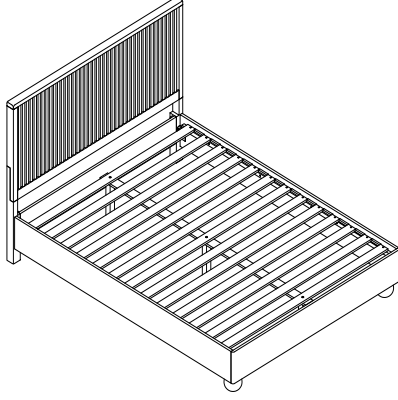
- Place all parts on a clean and smooth surface such as a rug/carpet to avoid parts from being scratched
- When tightening screws to product do not overtighten until product is fully setup
- If product is too heavy for a single person to carry do not attempt and ask for assistance
- DO NOT DRAG or PUSH item to desired location. Must be carried when moving
- If item is not working as intended please review the assembly guide to see if any steps were missed or incorrectly built. If there's a problem with part please contact seller for additional assistance
- Please keep all hardware and small parts away from pets/infants
- Please wear gloves or protective gear to protect from getting cuts
- It is normal for new furniture to have an off gassing smell. Please air out furniture near a window for a few hours or a day before placing it in its desired location
- All products may have a slight color and texture variation due to different shipments, natural materials, screen- resolutions, or lighting in home. Images are rendered by different devices or websites



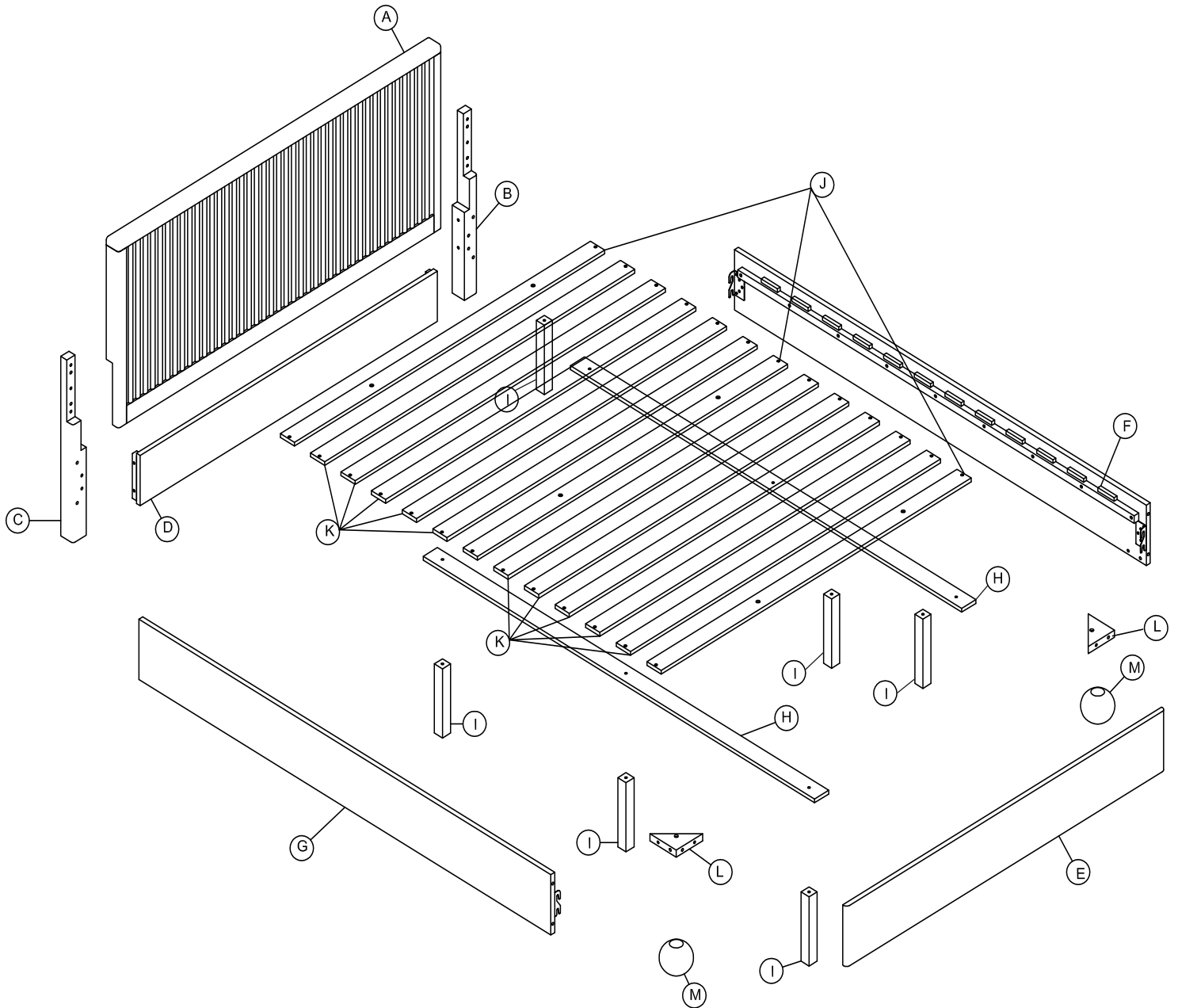
**KING BED
CALI KING BED**

PARTS

<p>(A)</p>  <p>HeadBoard x 1 pc</p>	<p>(B)</p>  <p>Right Leg x 1pc</p>	<p>(C)</p>  <p>Left Leg x 1pc</p>
<p>(D)</p>  <p>Upper Panel of HeadBoard x 1pc</p>	<p>(E)</p>  <p>FootBoard x 1pc</p>	<p>(F)</p>  <p>Right Side Rail x 1pc</p>
<p>(G)</p>  <p>Left Side Rail x 1pc</p>	<p>(H)</p>  <p>Support Bar x 2pc</p>	<p>(I)</p>  <p>Middle Legs x 6pcs</p>
<p>(J)</p>  <p>Support Slats x 3pcs</p>	<p>(K)</p>  <p>Slats x 10pcs</p>	<p>(L)</p>  <p>Support Legs x 2pcs</p>
<p>(M)</p>  <p>Round Legs x 2pcs</p>		

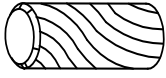


**KING BED
CALI KING BED**



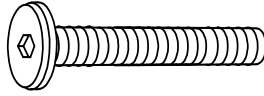
HARDWARE

1



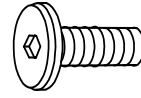
Wooden Dowel 10 x 30mm = 16 pcs

2



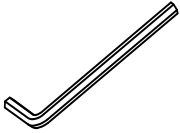
Long Bolt $\frac{1}{4}$ x 38mm = 20 pcs

3



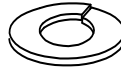
Short Bolt $\frac{1}{4}$ " x 15 = 8pcs

4



Allen Key K4=1 pc

5



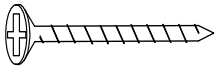
Spring Washer = 10pcs

6



Flat Washer = 10pcs

7



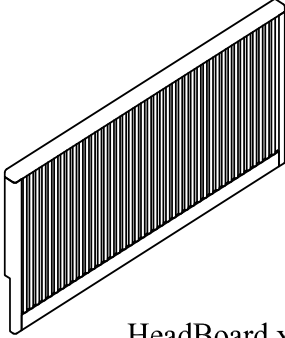
Flat Screw M4 x 25 = 26pcs

PARTS

check that you've received all parts listed below

BOX : 1

A



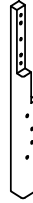
HeadBoard x 1 pc

B



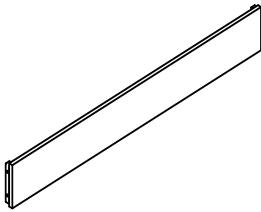
Right Leg x 1 pc

C



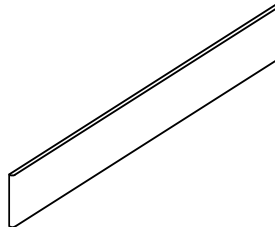
Left Leg x 1 pc

D



Upper Panel of HeadBoard x 1 pc

E



FootBoard x 1 pc

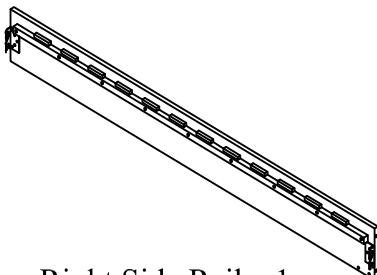
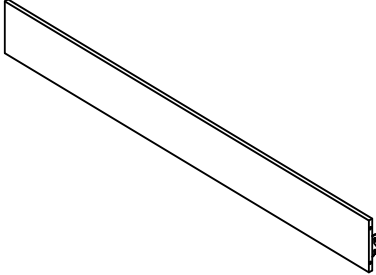
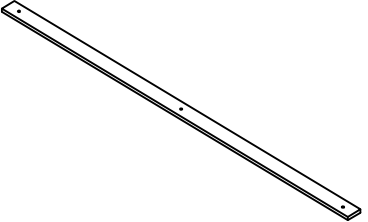

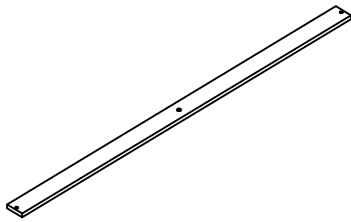
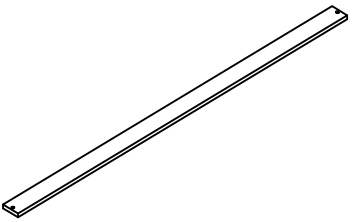
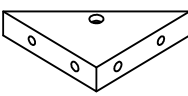
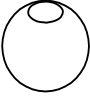
HARDWARE



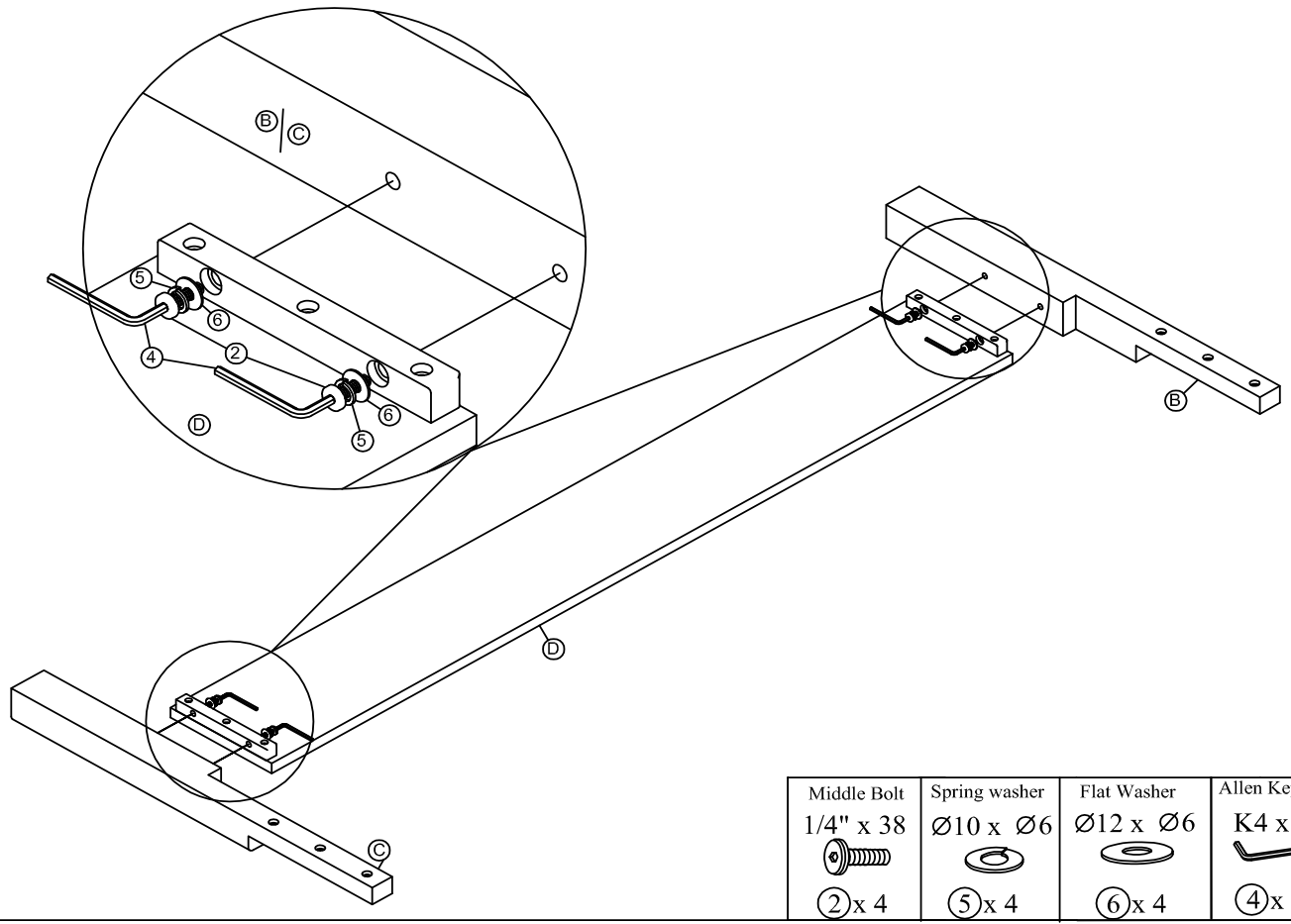
PARTS





check that you've received all parts listed below

BOX : 2

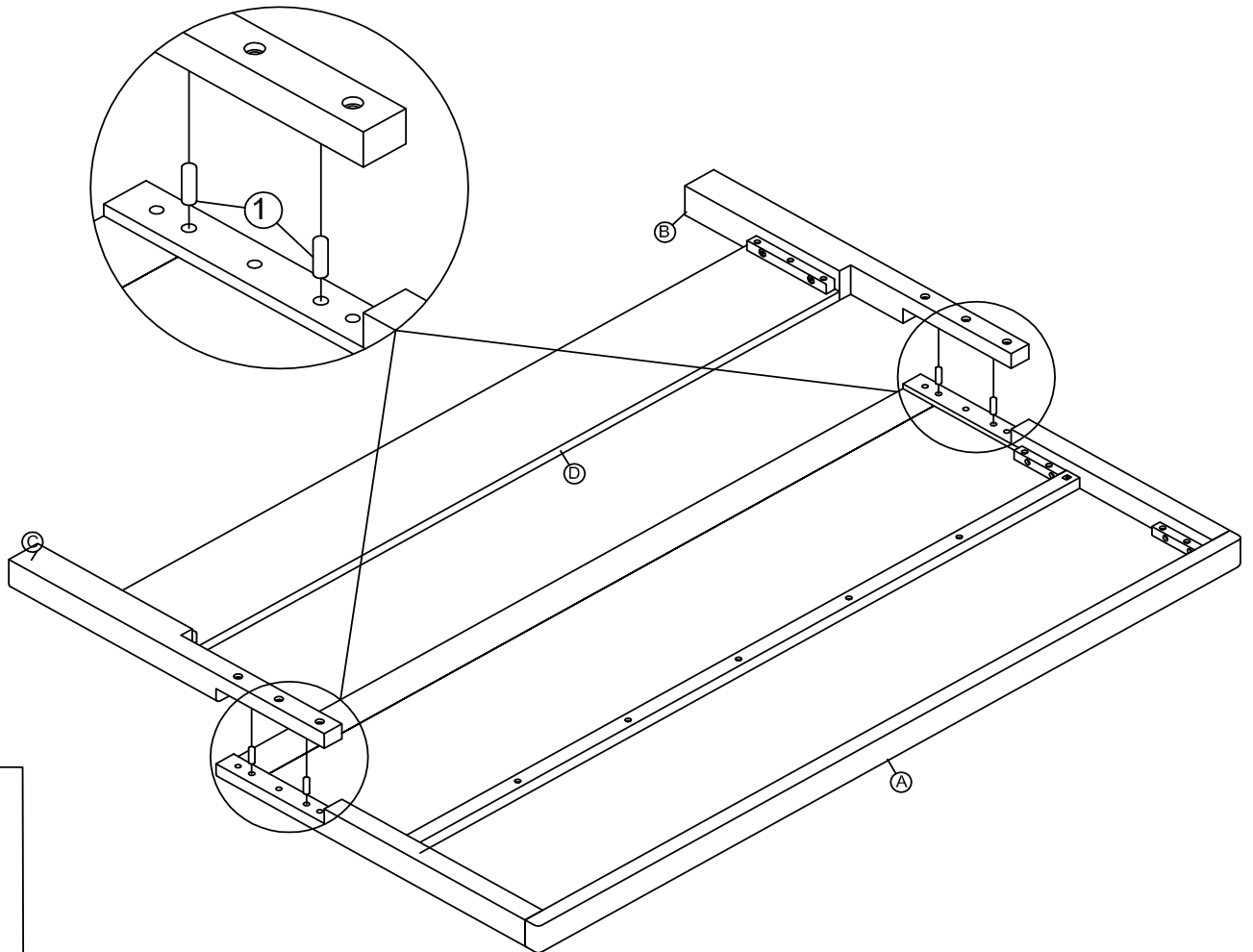
<p>F</p>  <p>Right Side Rail x 1pc</p>	<p>G</p>  <p>Left Side Rail x 1pc</p>	<p>H</p>  <p>Support Bar x 2pcs</p>
<p>I</p>  <p>Middle Legs x 6pcs</p>	<p>J</p>  <p>Support Slats x 3pcs</p>	<p>K</p>  <p>Slats x 10pcs</p>
<p>L</p>  <p>Support Legs x 2pcs</p>	<p>M</p>  <p>Round Legs x 2pcs</p>	

Step1



Middle Bolt	Spring washer	Flat Washer	Allen Key
1/4" x 38	Ø10 x Ø6	Ø12 x Ø6	K4 x 80
			
② x 4	⑤ x 4	⑥ x 4	④ x 1

Step2



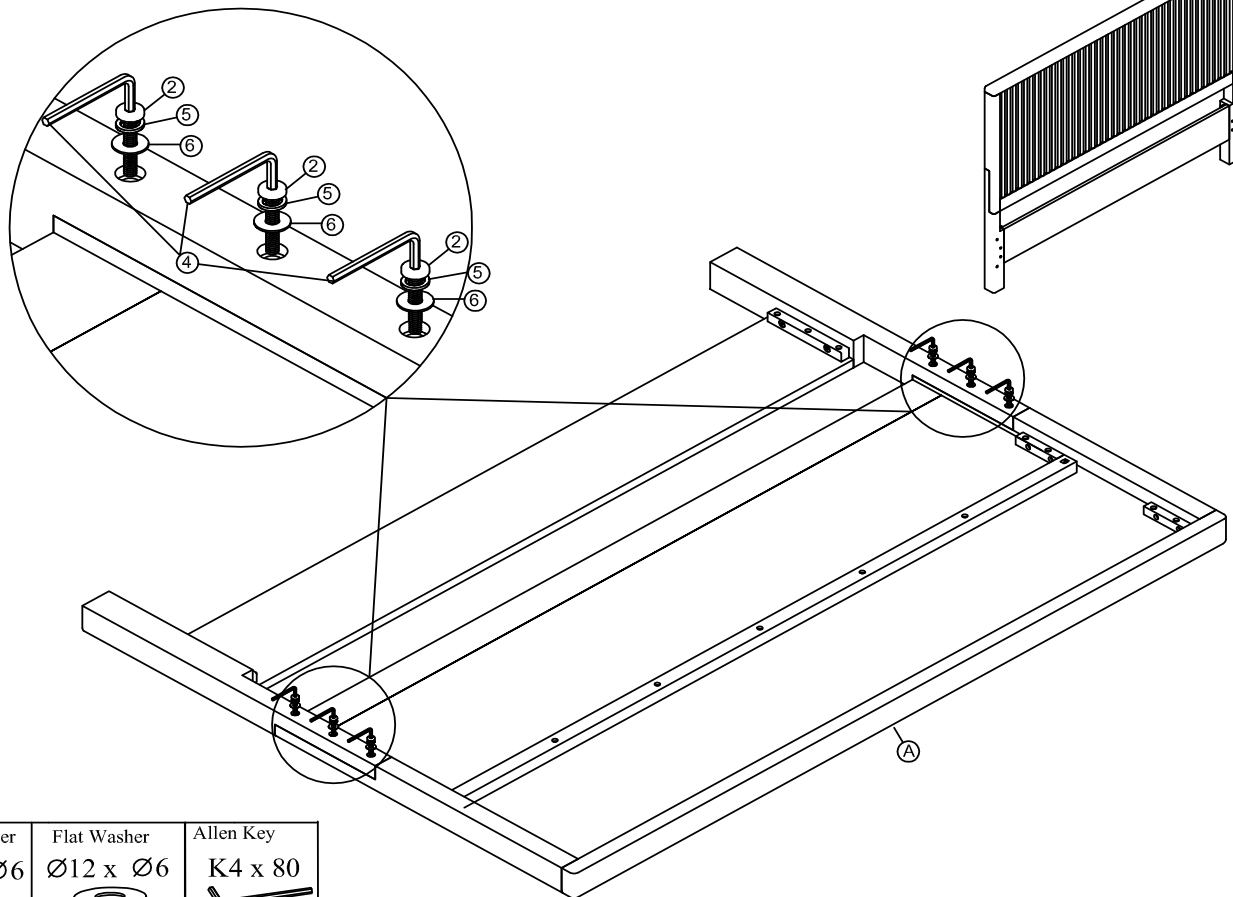
Wooden Dowel





Ø10 x 30



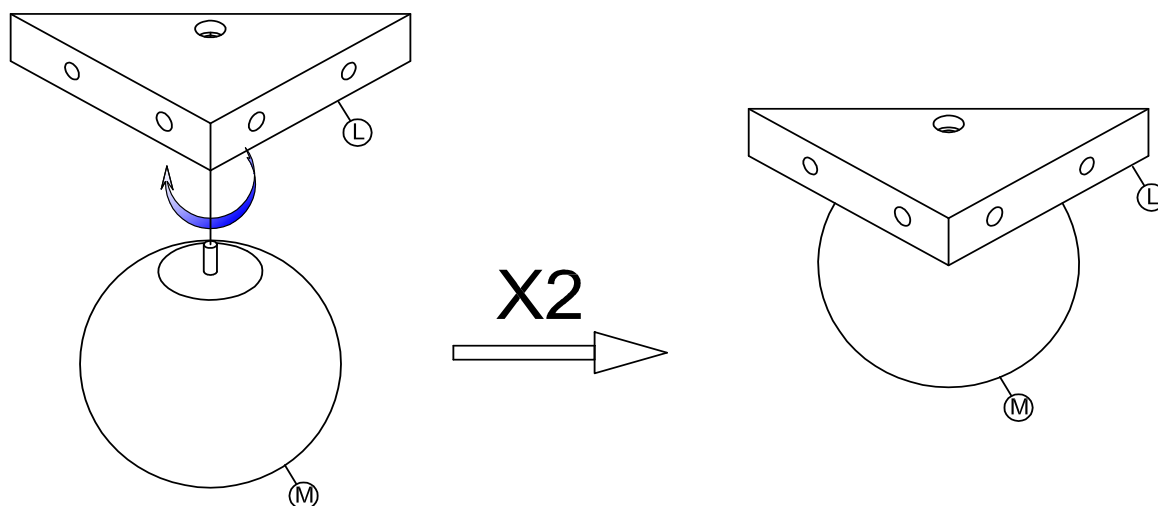
① x 4

Step3

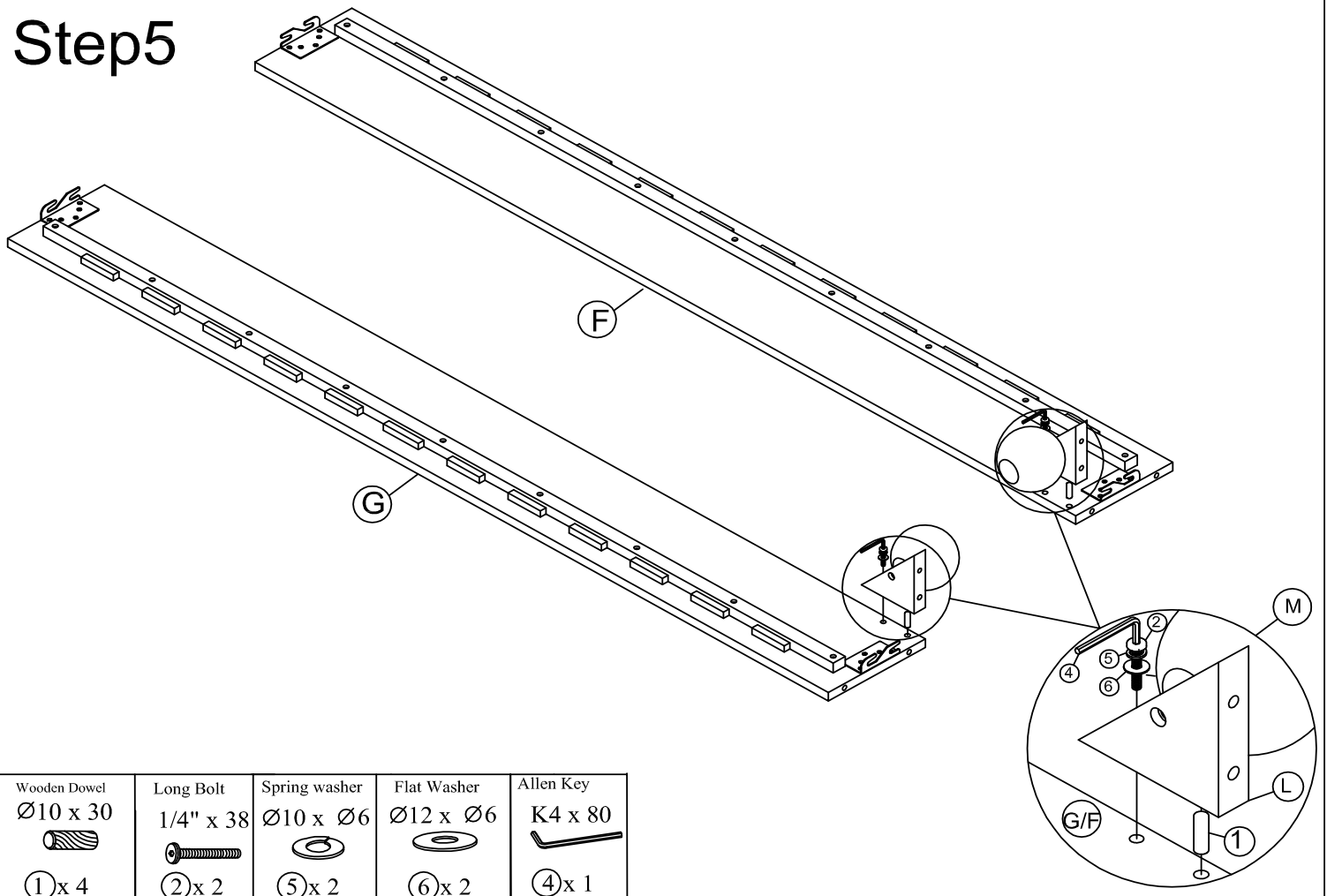







Long Bolt	Spring washer	Flat Washer	Allen Key
1/4" x 38	Ø10 x Ø6	Ø12 x Ø6	K4 x 80
			
②x 6	⑤x 6	⑥x 6	④x 1

Step4

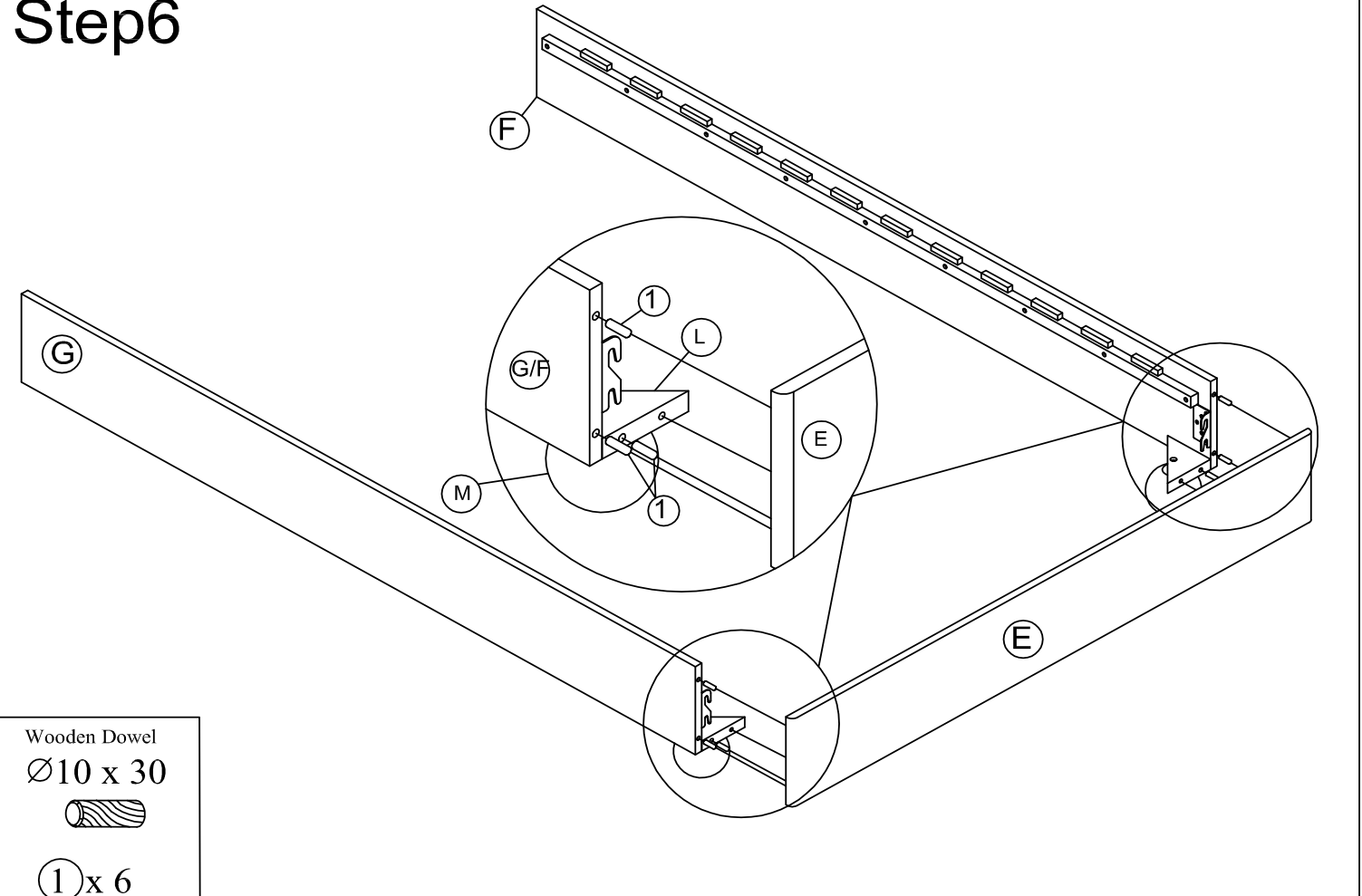



Step5



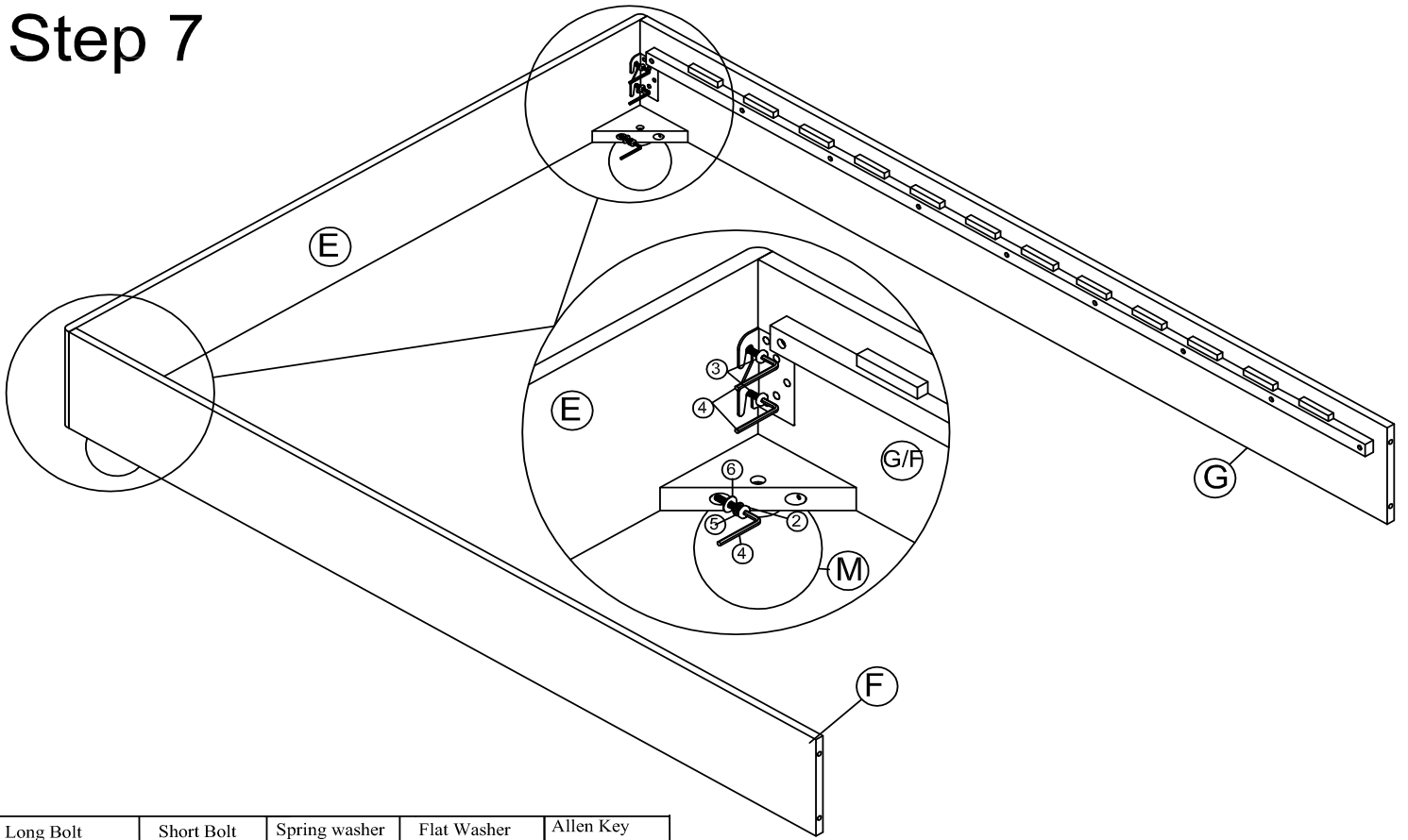
Wooden Dowel Ø10 x 30  ① x 4	Long Bolt 1/4" x 38  ② x 2	Spring washer Ø10 x Ø6  ⑤ x 2	Flat Washer Ø12 x Ø6  ⑥ x 2	Allen Key K4 x 80  ④ x 1
--	---	--	--	---





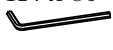
Step6



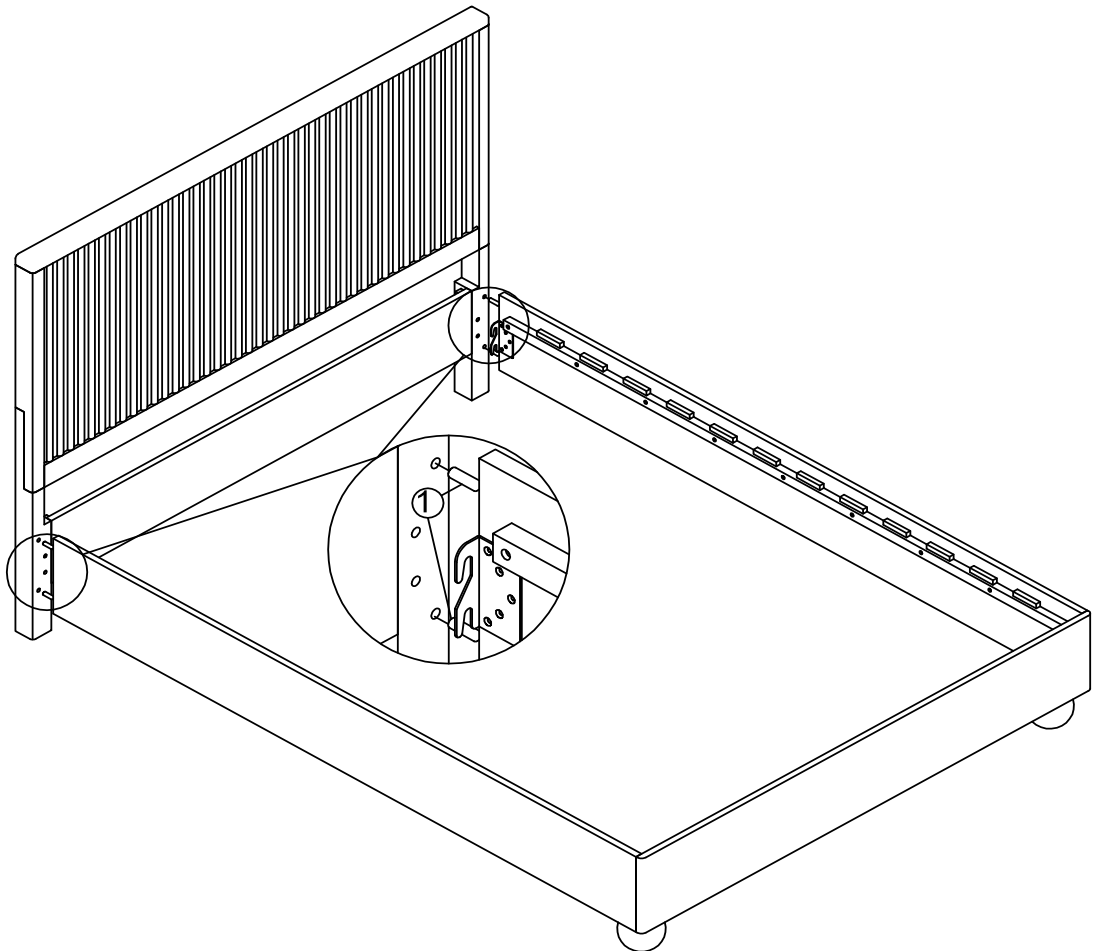
Wooden Dowel Ø10 x 30  ① x 6
--


Step 7



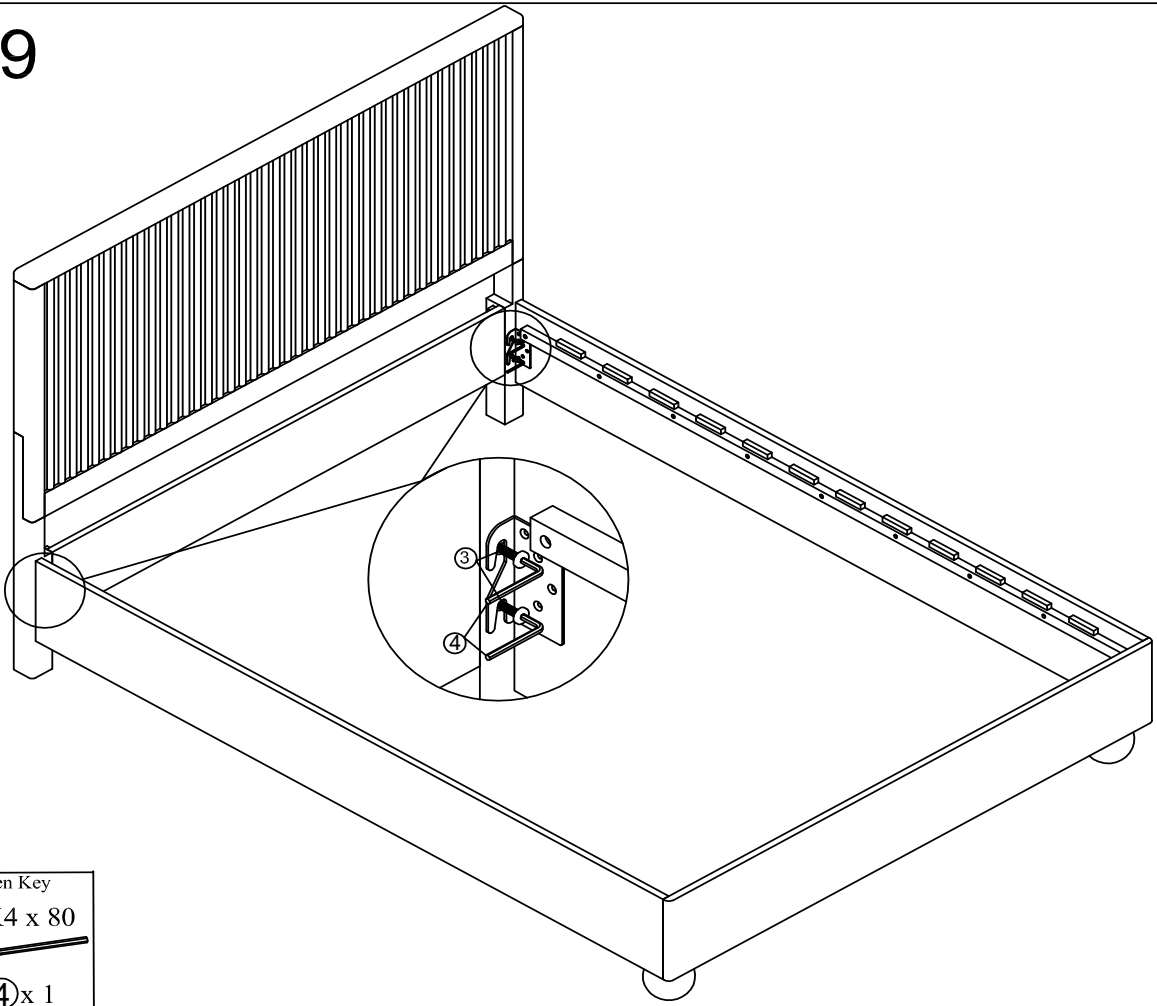
Long Bolt	Short Bolt	Spring washer	Flat Washer	Allen Key
1/4" x 38	1/4" x 15	Ø10 x Ø6	Ø12 x Ø6	K4 x 80
				
② x 2	③ x 4	⑤ x 2	⑥ x 2	④ x 1



Step 8



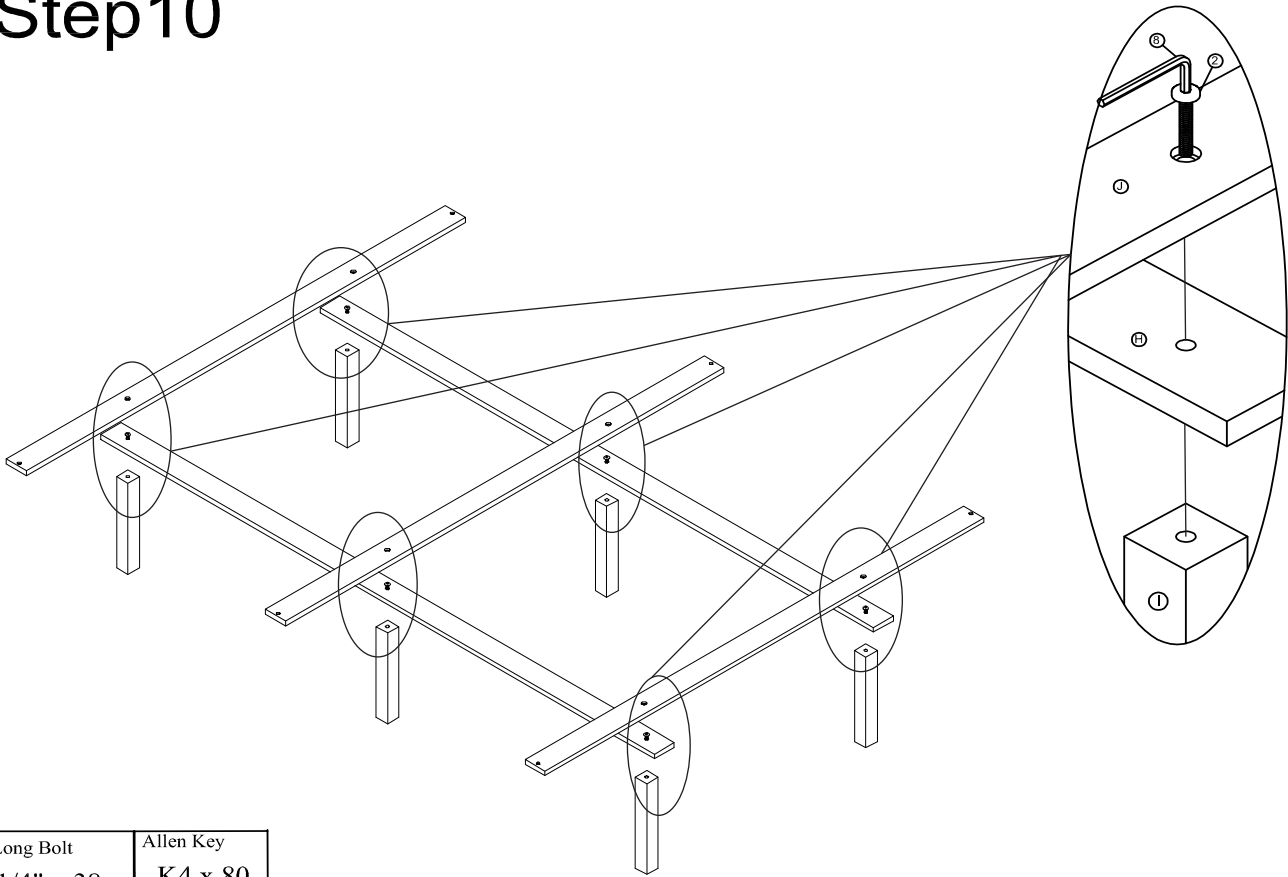
Wooden Dowel
Ø10 x 30

① x 4



Step 9



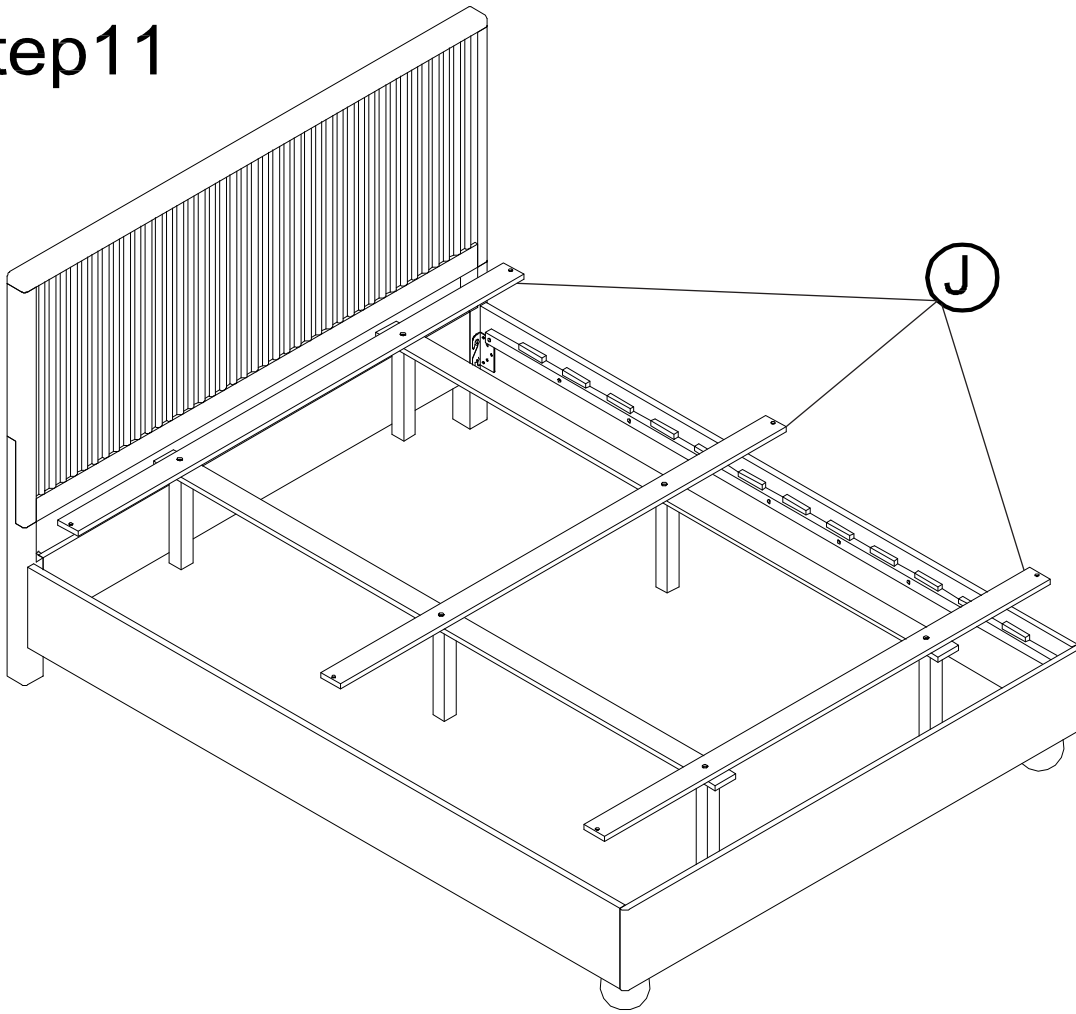
Short Bolt 1/4" x 15	Allen Key K4 x 80
	
③ x 4	④ x 1

Step 10

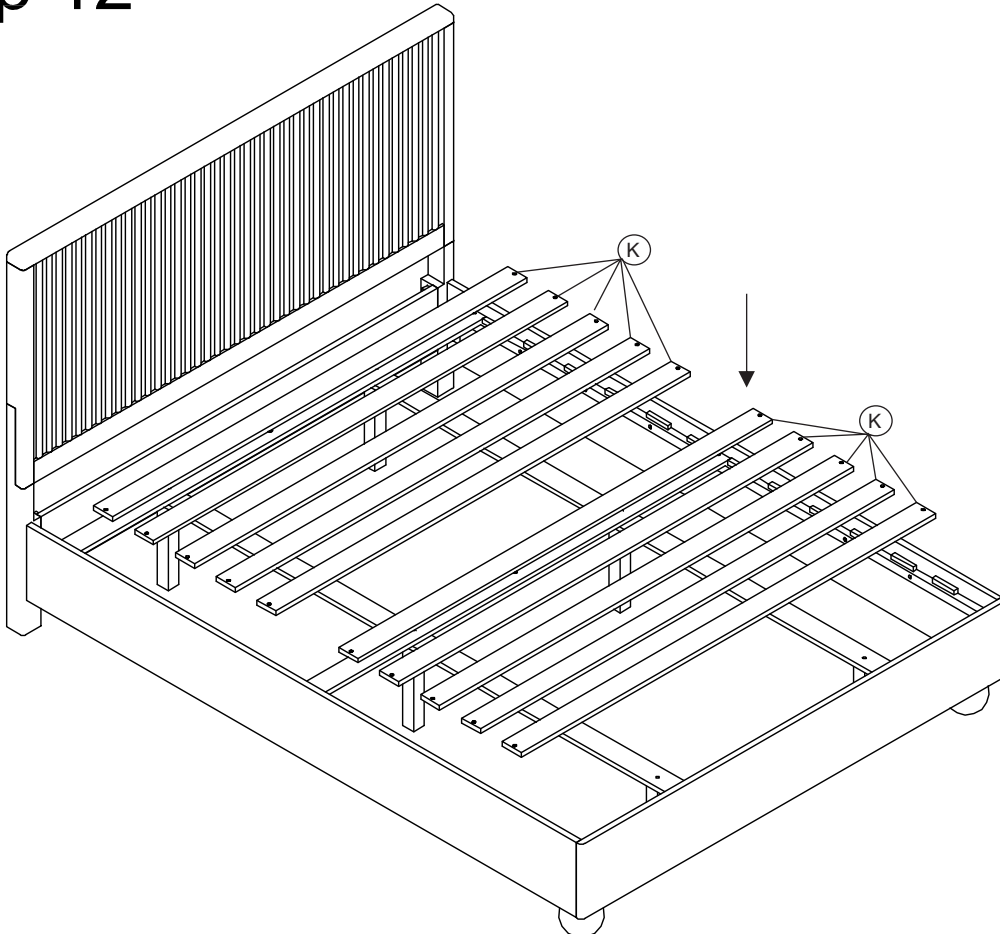


Long Bolt 1/4" x 38	Allen Key K4 x 80
	
② x 6	④ x 1

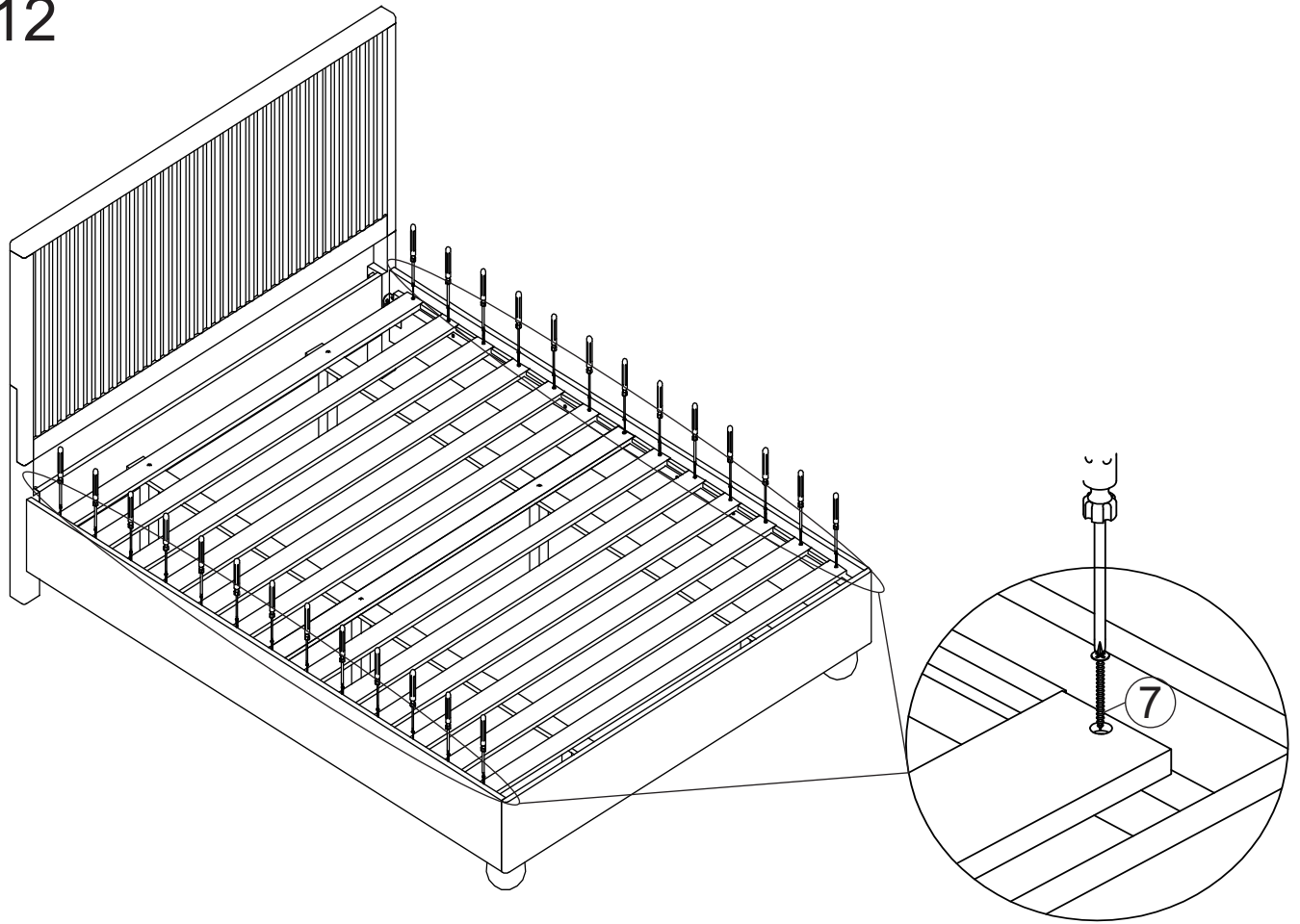
Step 11



Step 12



Step 12



Flat Screw
Ø4 x 25



7 x 26

Done !

