

# ASSEMBLY INSTRUCTIONS

## CONGRATULATIONS

You've purchased a fine product. All of our easy-to-assemble products are designed and carefully tested to meet the highest quality standards - Yours. We're included simple step-by-step instructions to help you quickly assemble your unit. Before you begin we recommend that you follow the steps below:

1. Please read the instructions thoroughly
2. Identify all parts and hardware, and
3. Gather the tool(s) necessary

NOTE: Do not tighten screws until unit is fully assembled. Only then tighten all screws.

## PARTS INFORMATION

To protect your parts during assembly.

## CARE INSTRUCTIONS

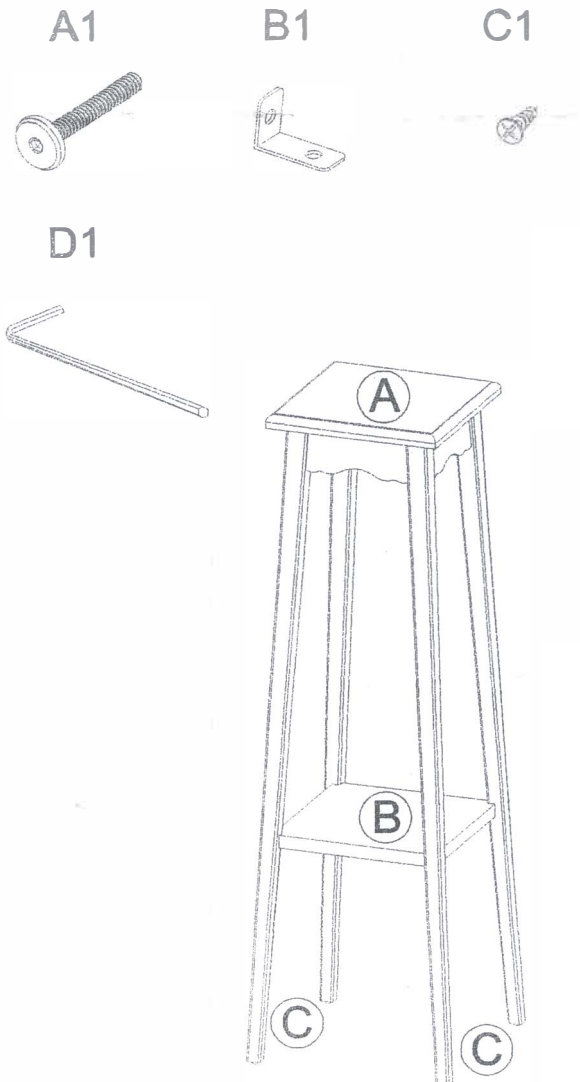
To clean surface use only water on a damp cloth. Do not use window cleaners or cleaning abrasives as it will scratch the surface and could damage the protective coating.

## PARTS LIST

REF.	PART NAME	QUANTITY
A	Tabletop	1
B	Layer	1
C	Leg	4

A1	Barrel Bolts D6×45	4
B1	Iron triangle	4
C1	Wood Screws D3.5×16	8
D1	Hex Key	1

## HARDWARE AND TOOLS DIAGRAM



# ASSEMBLY INSTRUCTIONS

