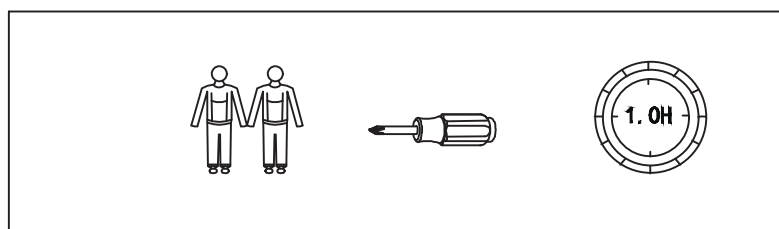
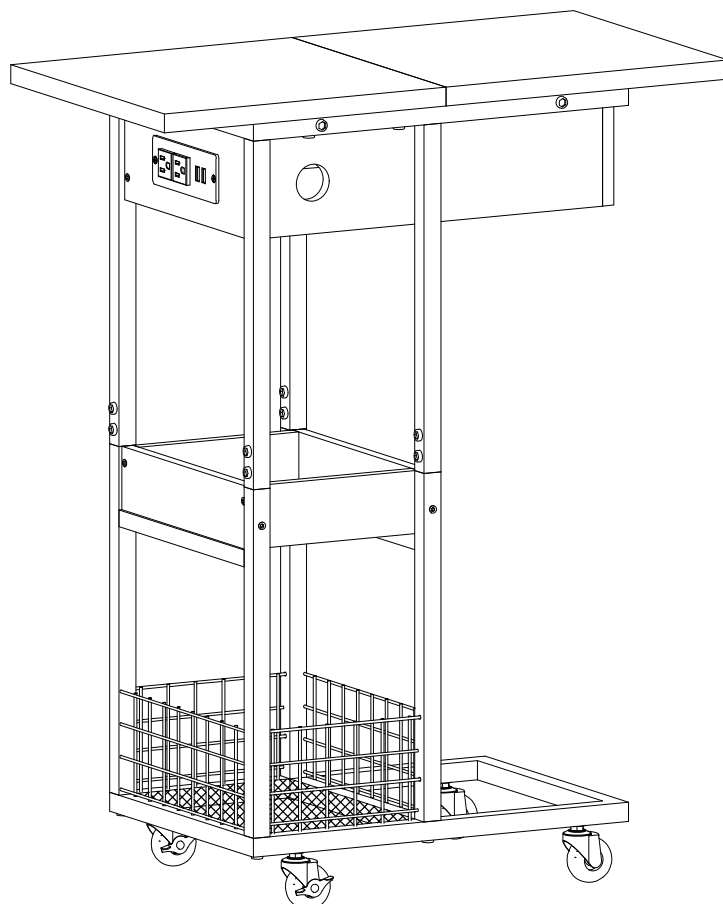
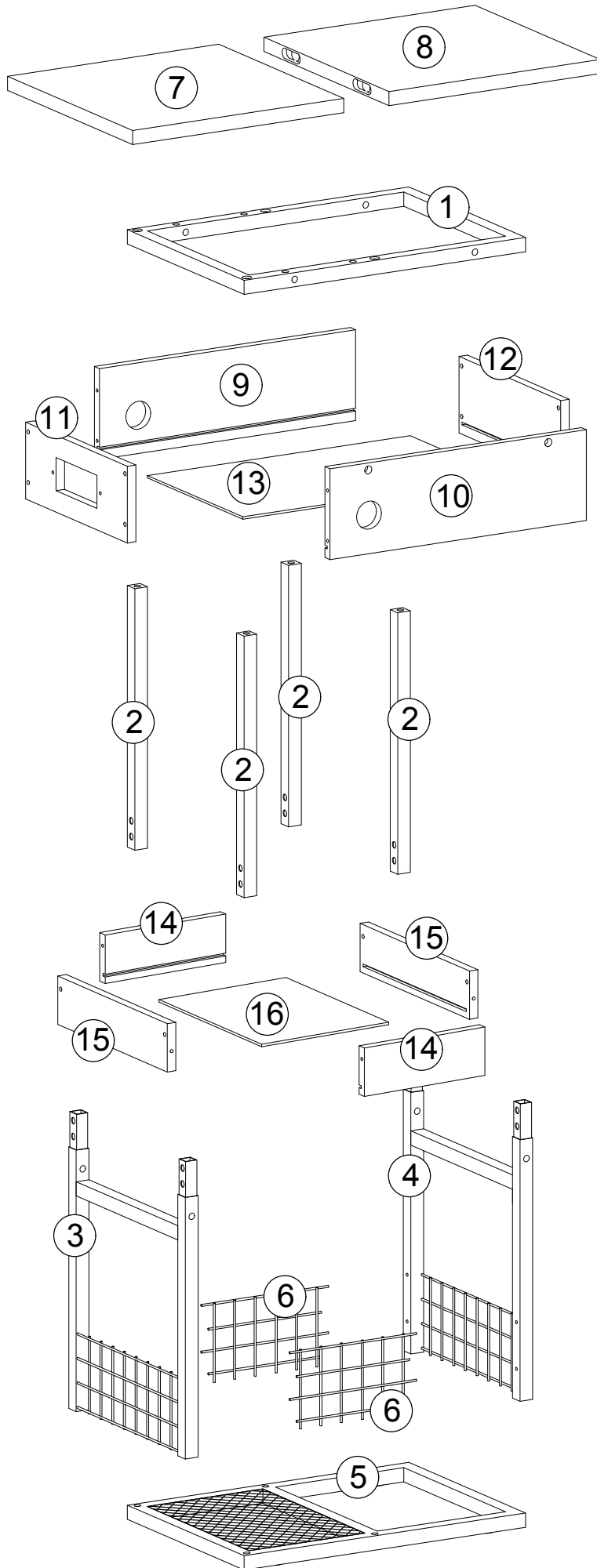


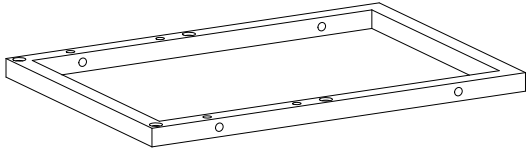
## ASSEMBLY INSTRUCTION FOR LT-K91



**GAUTION:**When tightening the screws,tighten sequentially.  
Do not tighten any screws fully and then towards the next one.  
When every part is OK,then tighten all the screws.



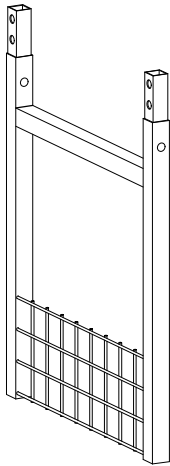
1 x1



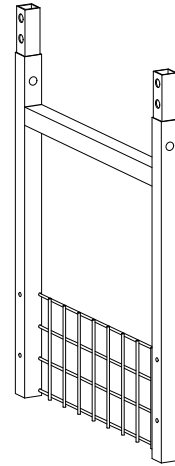
2 x4



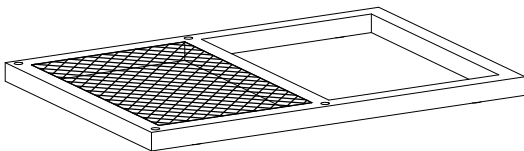
3 x1



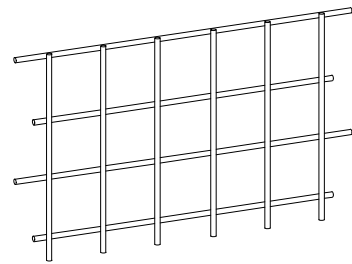
4 x1



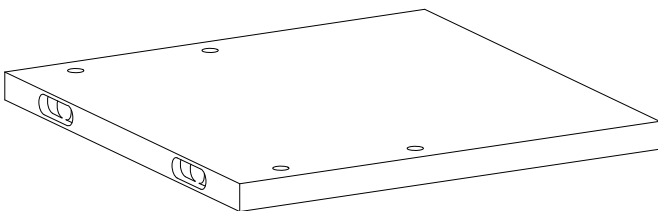
5 x1



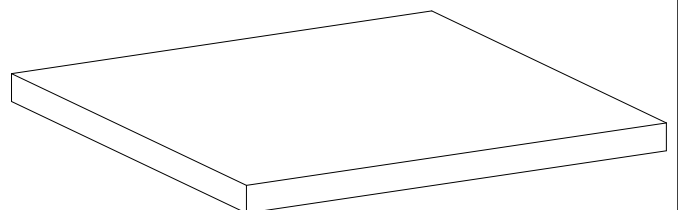
6 x2



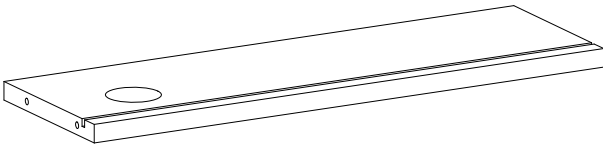
7 x1



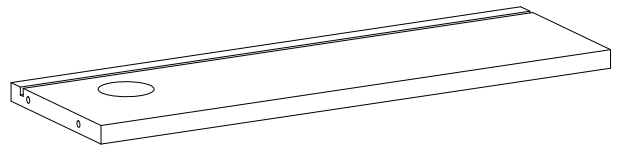
8 x1



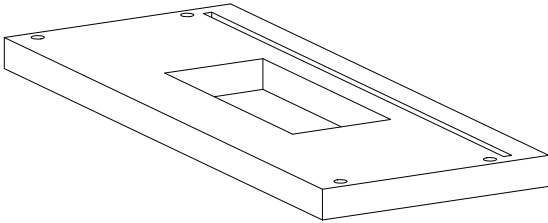
9 x1



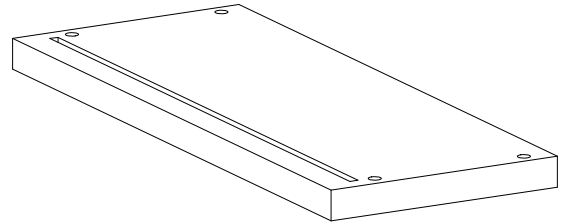
10 x1



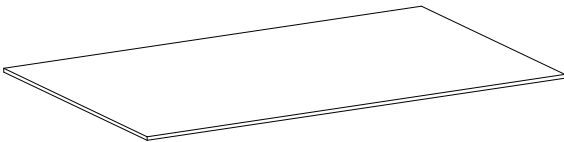
11 x1



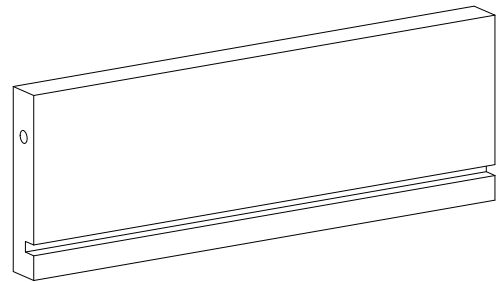
12 x1



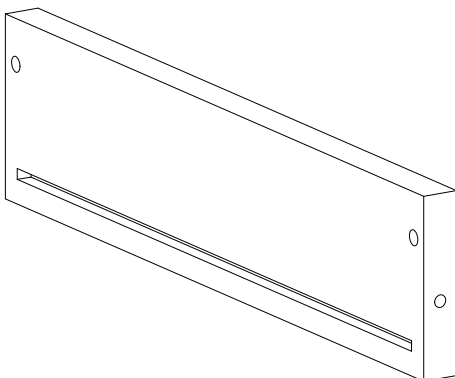
13 x1



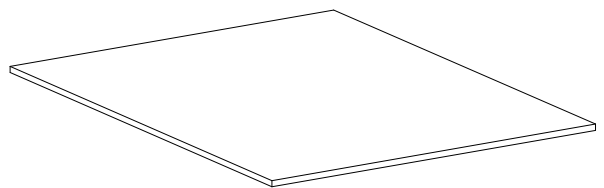
14 x2



15 x2



16 x1



**A x4+1**



**M6x35**

**B x8+1**



**M6x28**

**C x8+1**



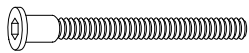
**M6x12**

**D x4+1**



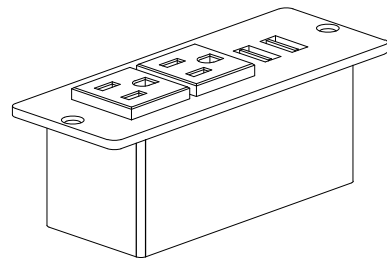
**M6x35**

**E x16+1**

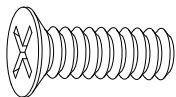


**φ5x40**

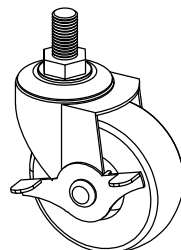
**F x1**



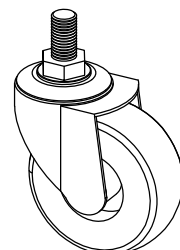
**G x2**



**H x1**



**x2**

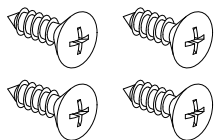
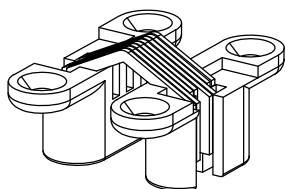


**x2**

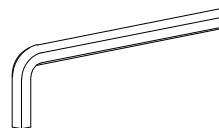


**x1**

I x 2

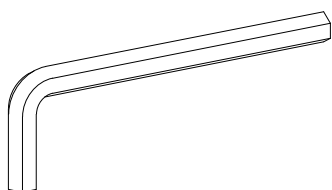


J x 1



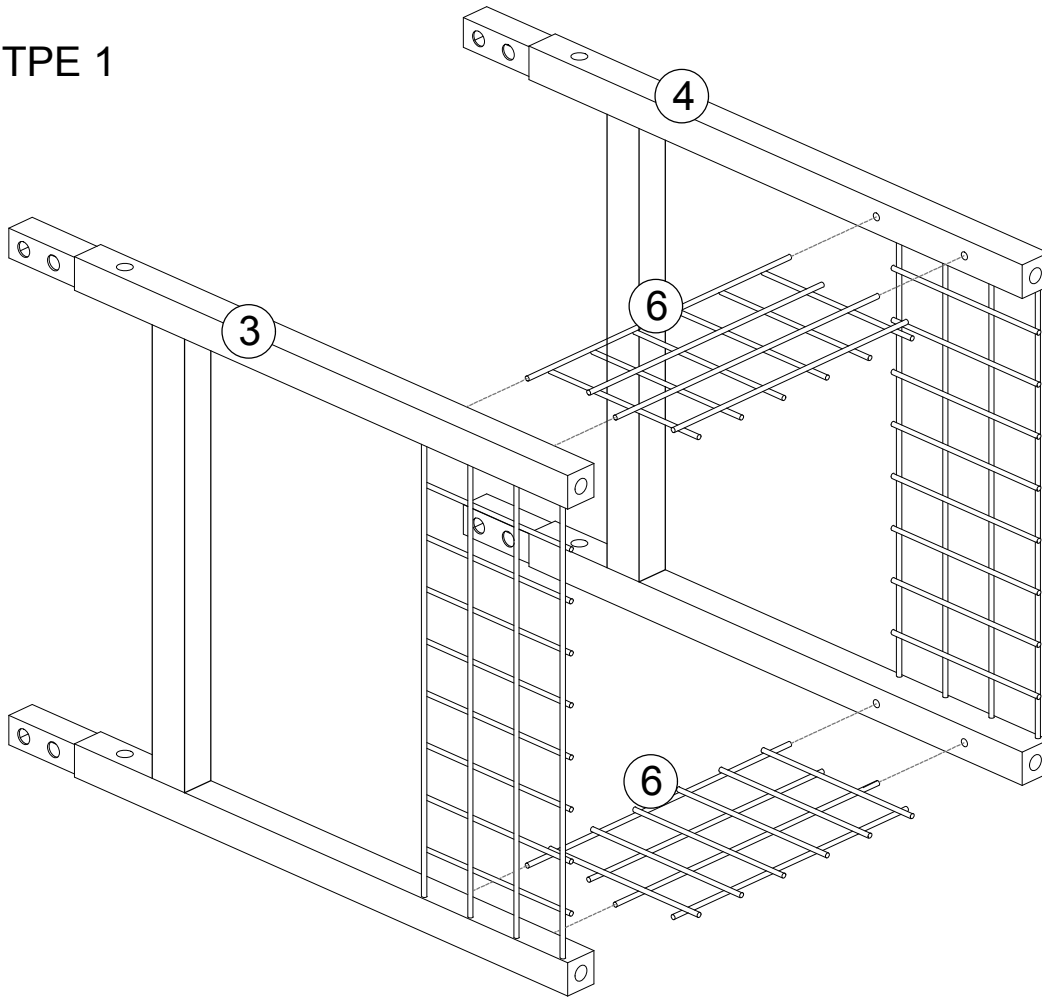
M3x57

K x 1

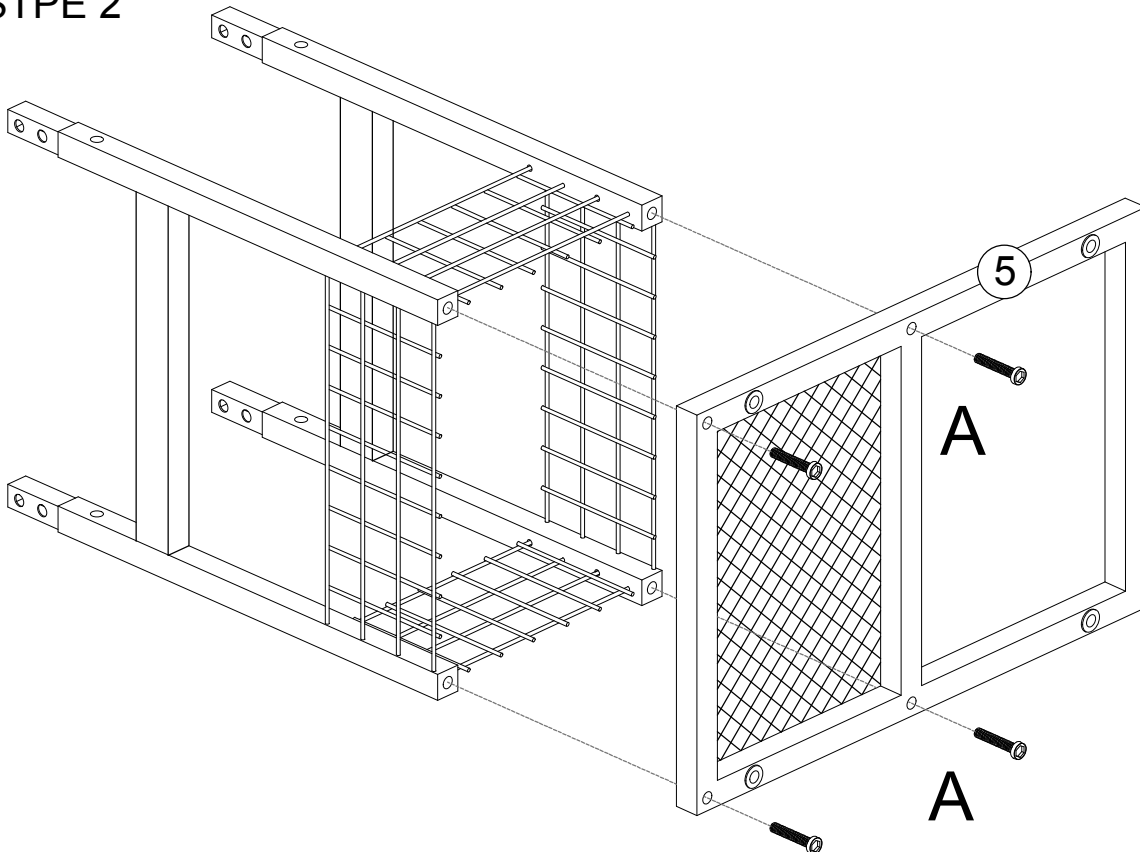


M4x57

# STPE 1



# STPE 2



K

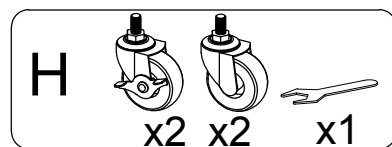
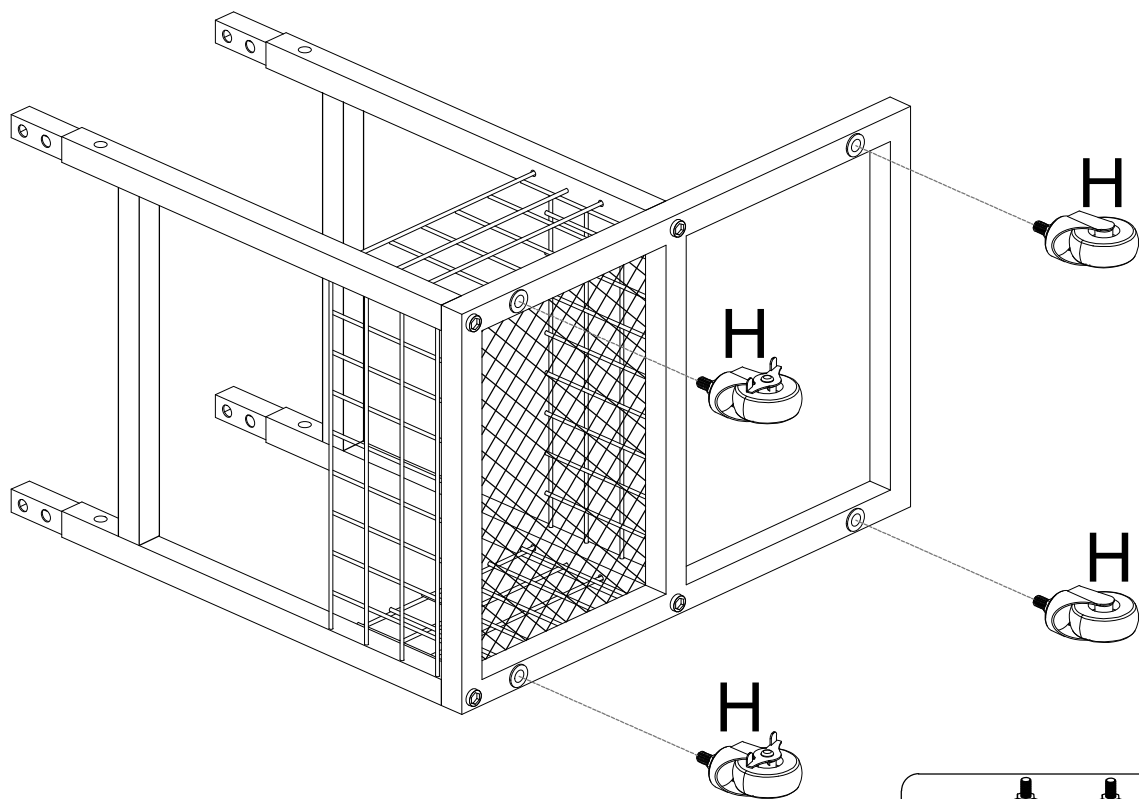


A

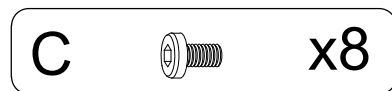
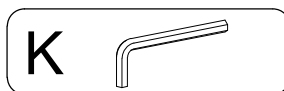
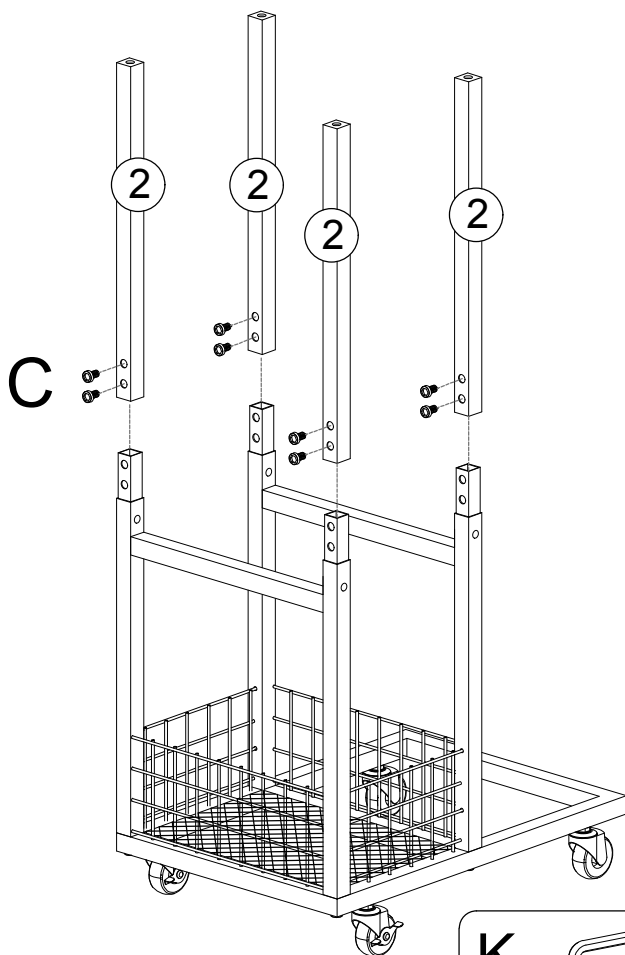


x4

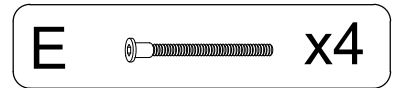
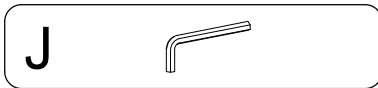
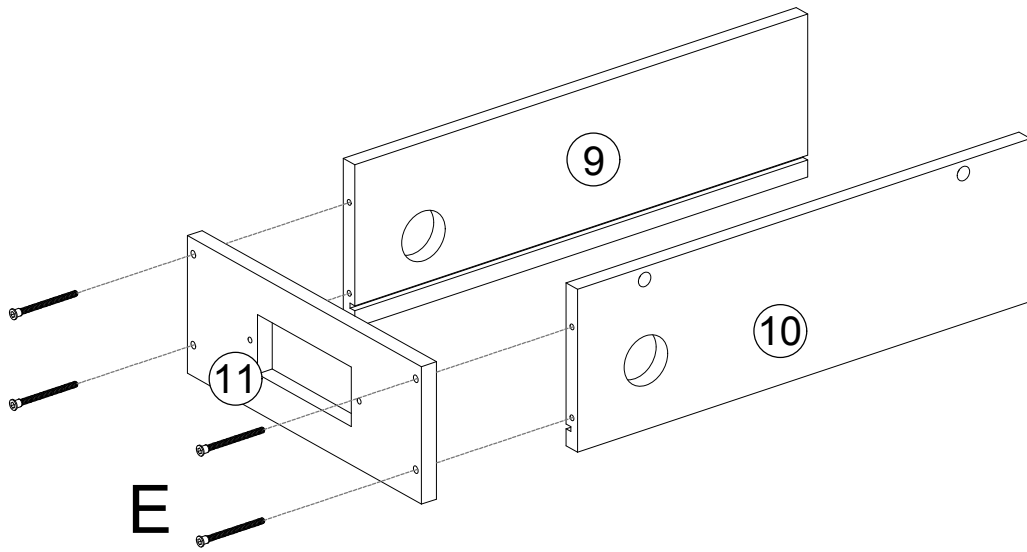
### STPE 3



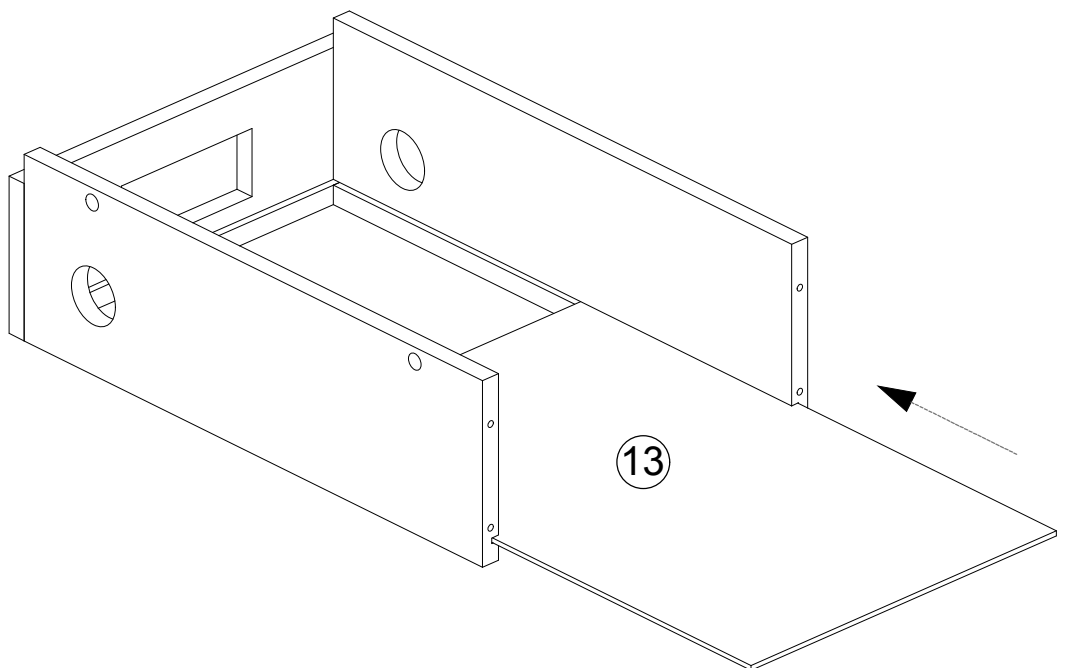
### STPE 4



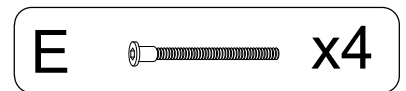
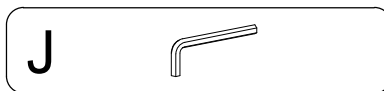
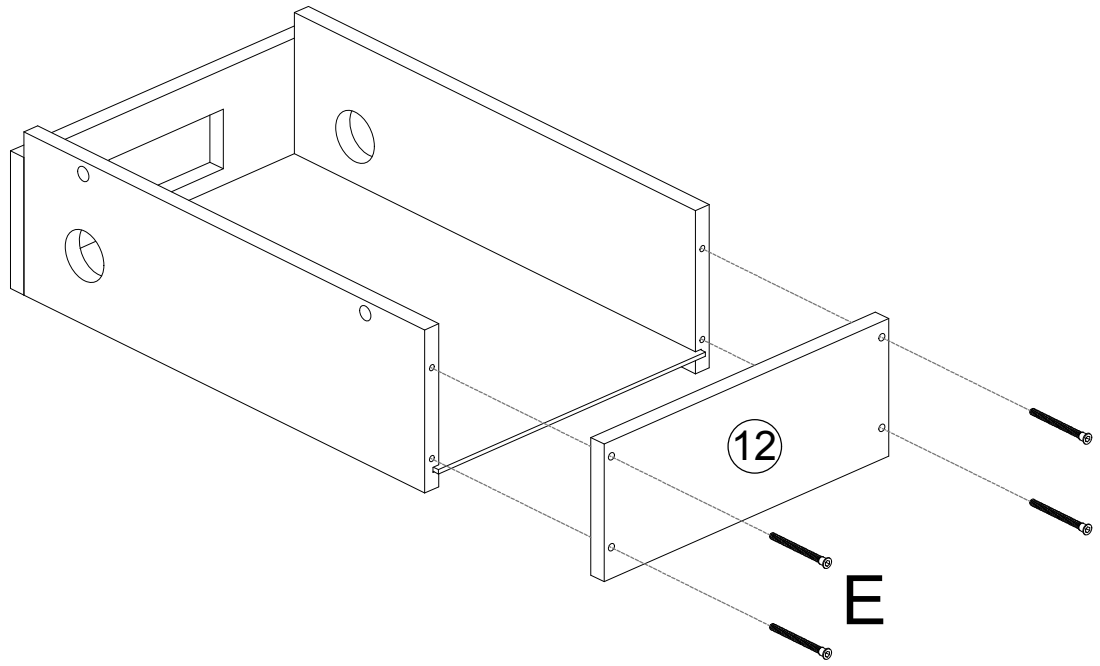
# STPE 5



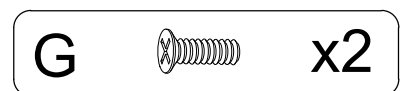
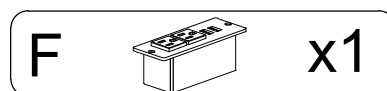
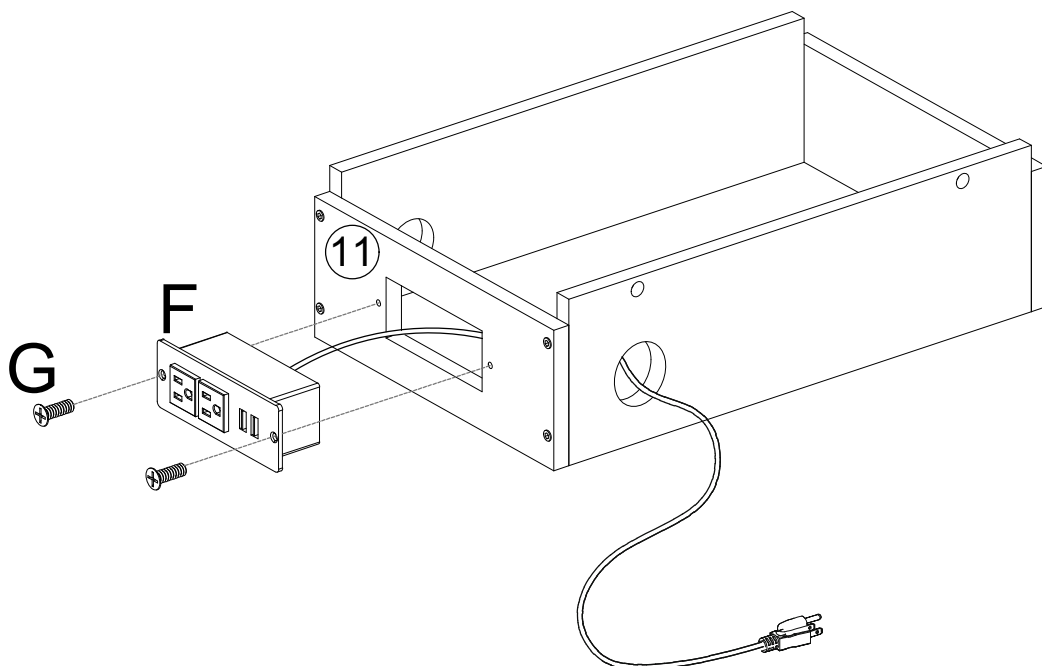
# STPE 6



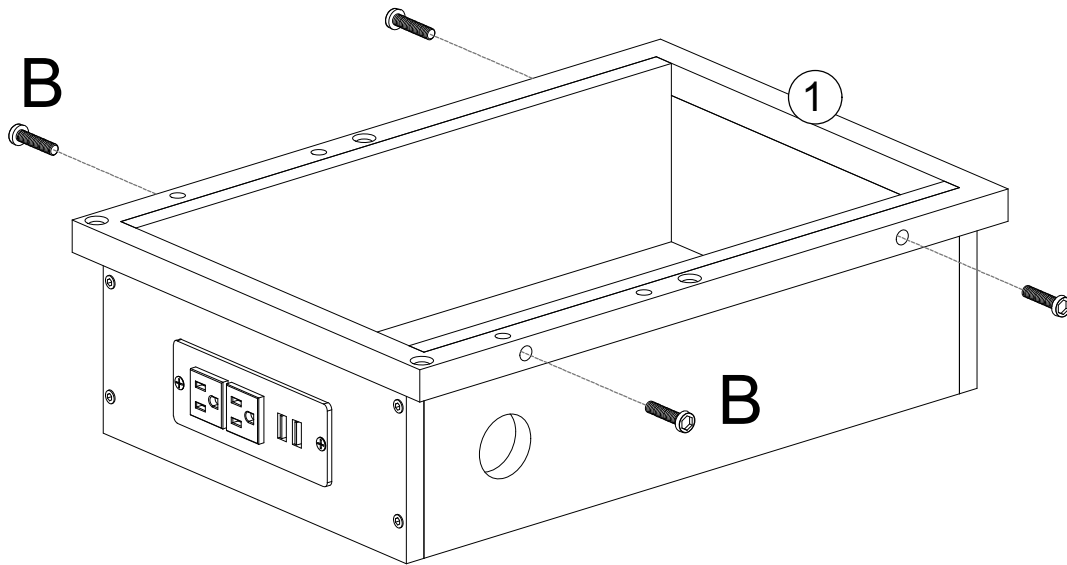
# STPE 7



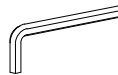
# STPE 8



# STPE 9



K

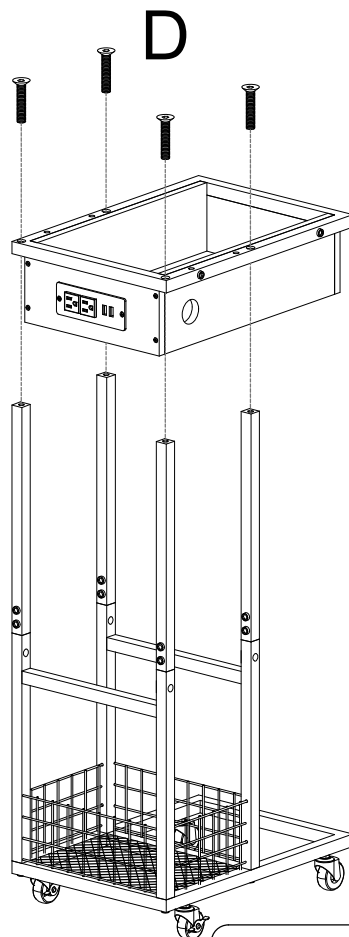


B

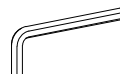


x4

# STPE 10



K

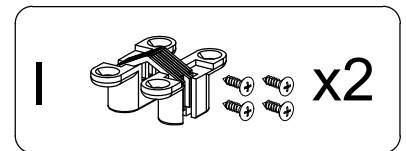
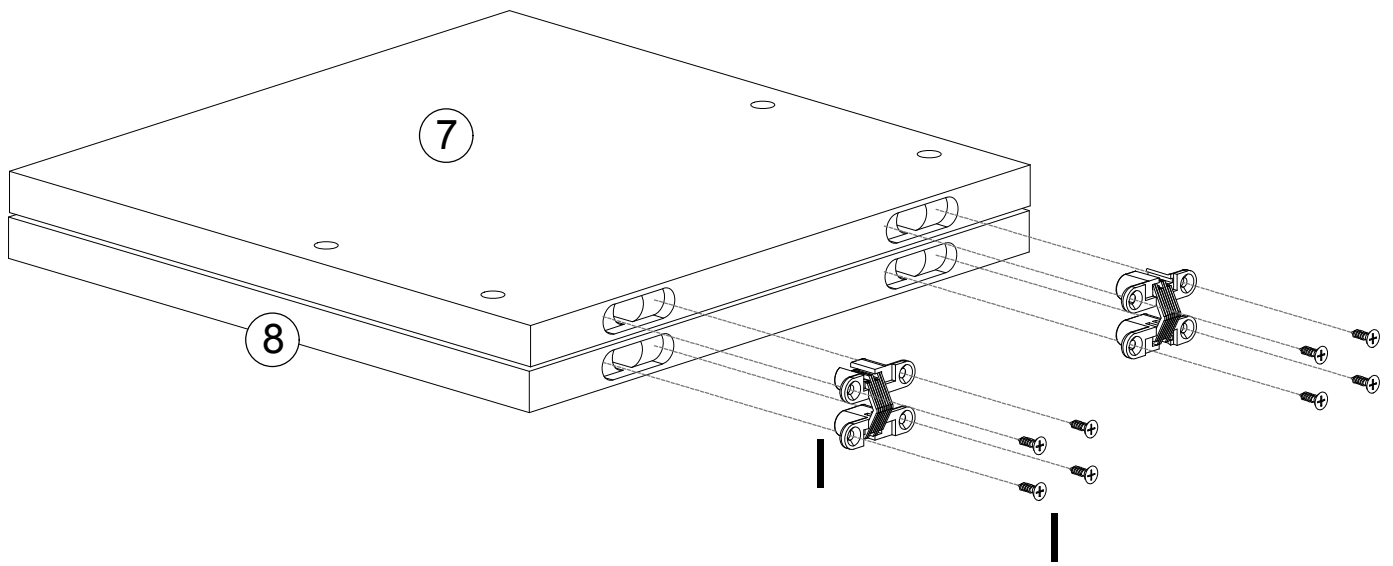


D

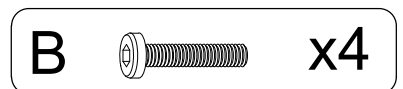
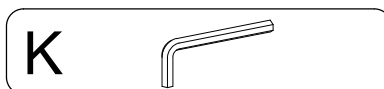
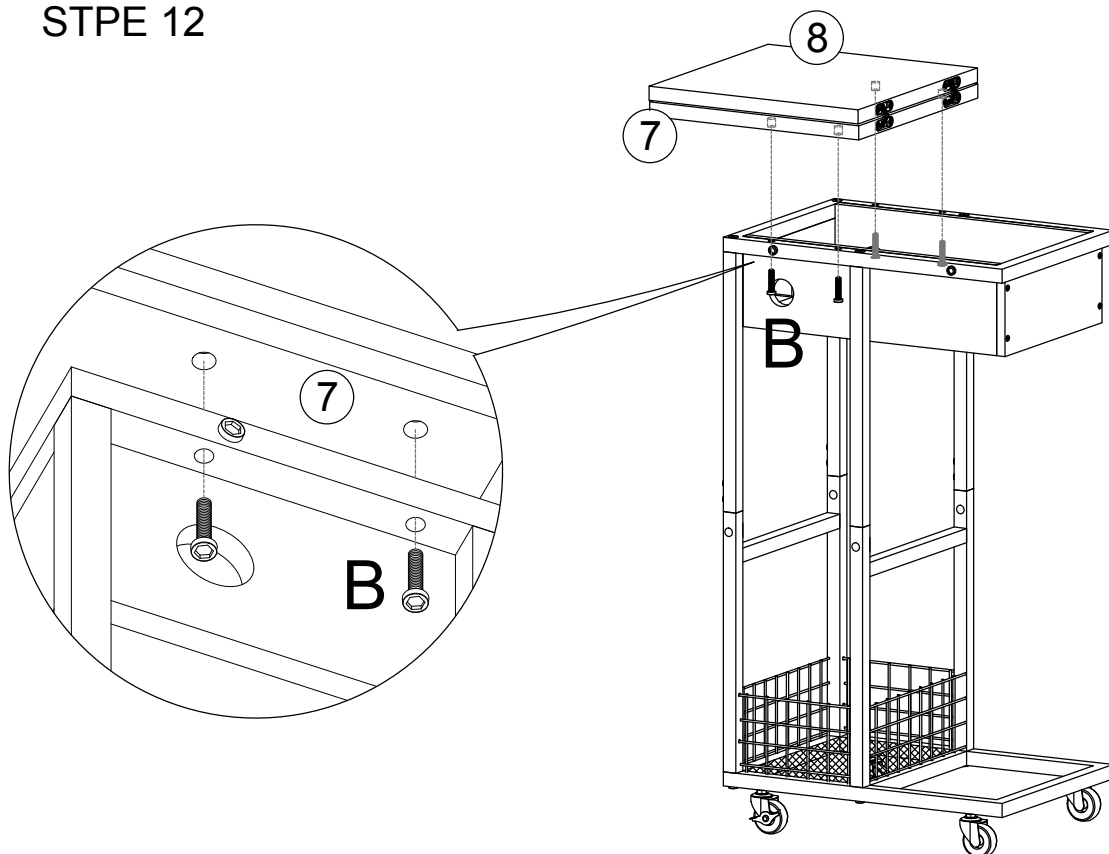


x4

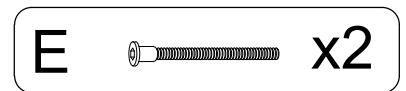
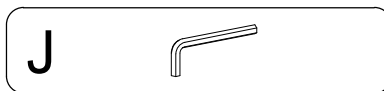
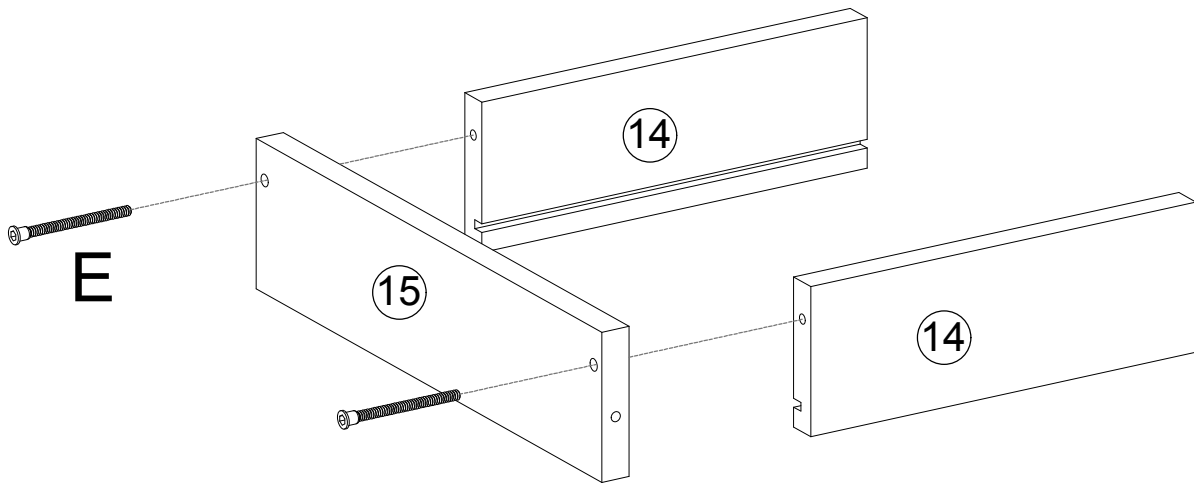
# STPE 11



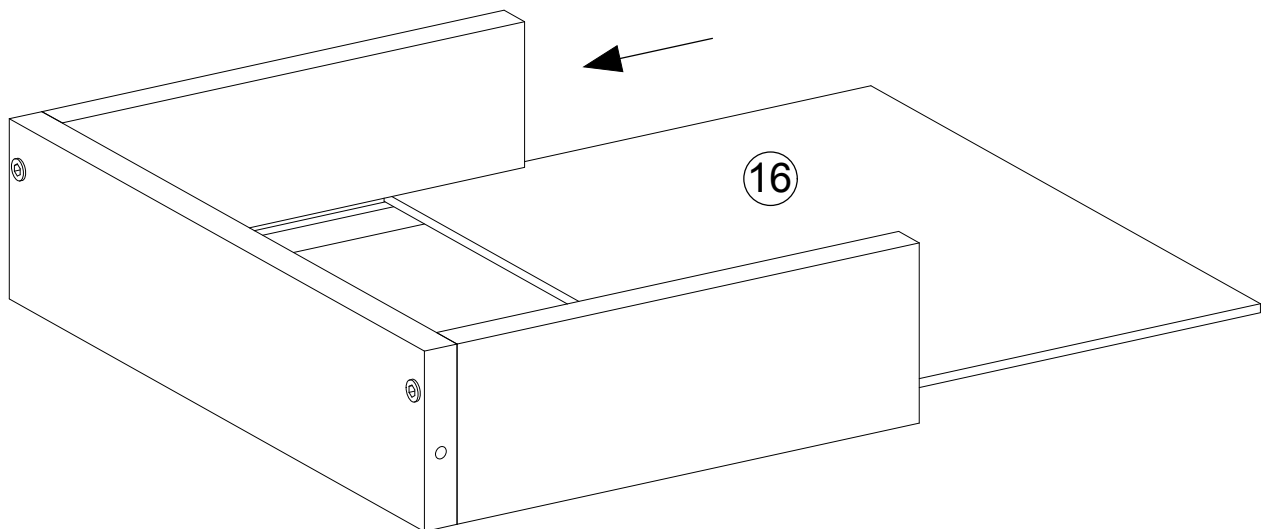
# STPE 12



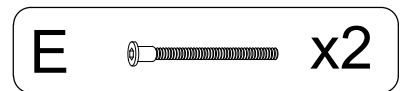
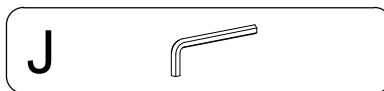
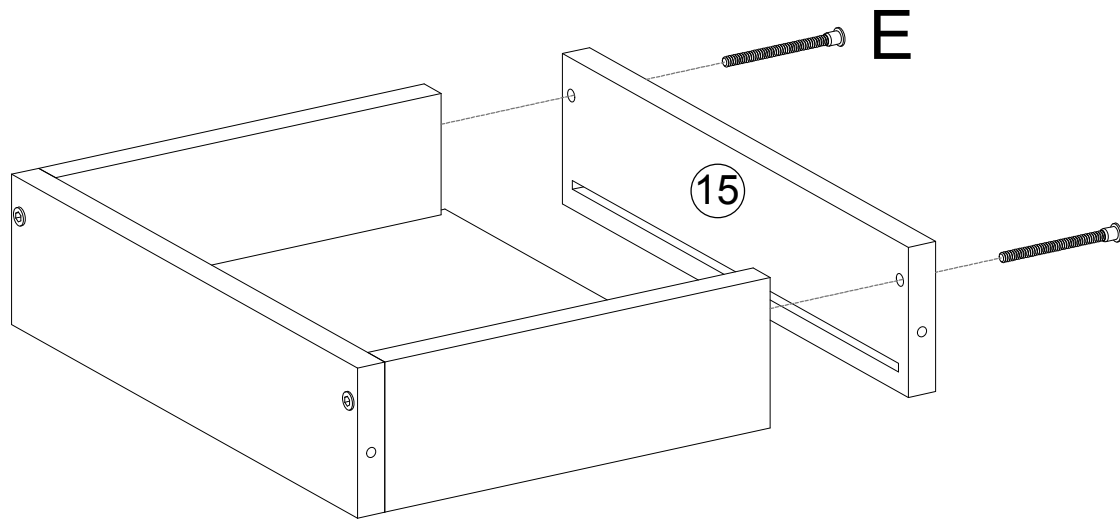
# STPE 13



# STPE 14



# STPE 15



# STPE 16

