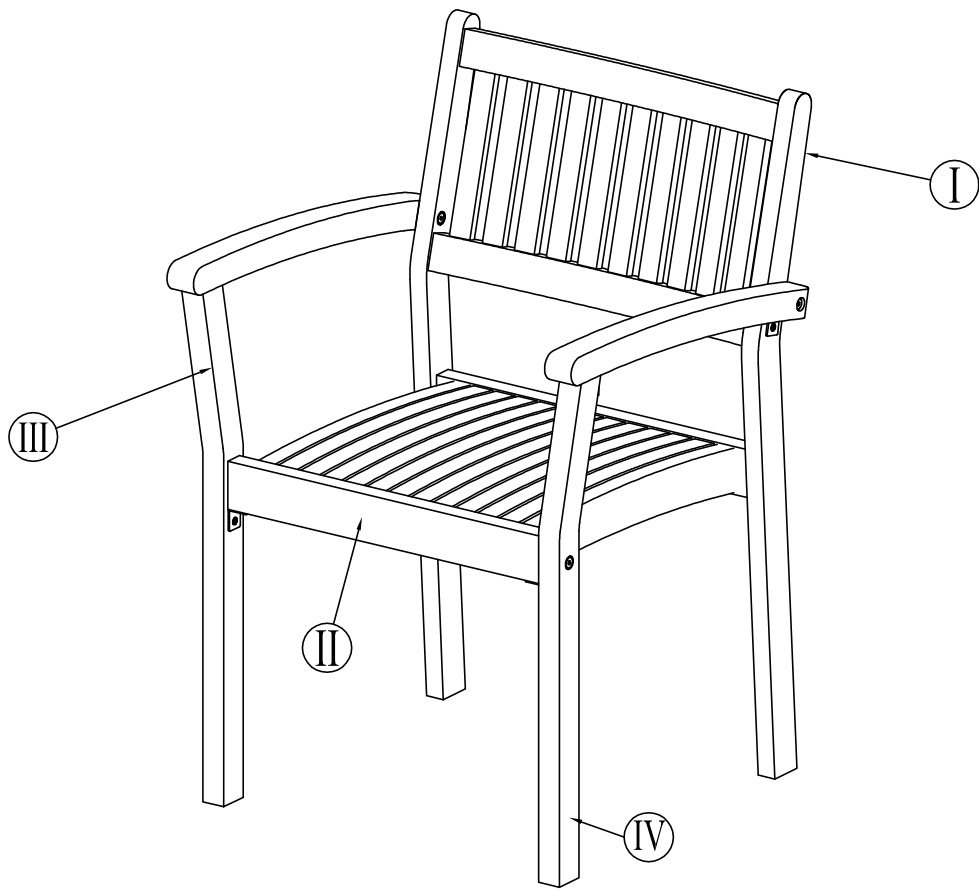


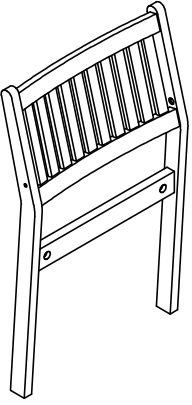
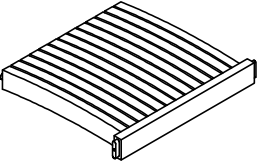
Maximum capacity : 110 kgs/242 Lbs










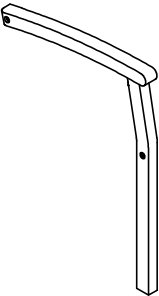
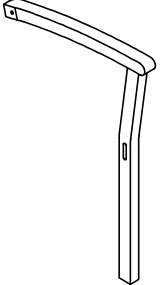


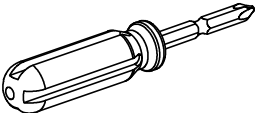
COMPONENTS LIST

HARDWARE LIST

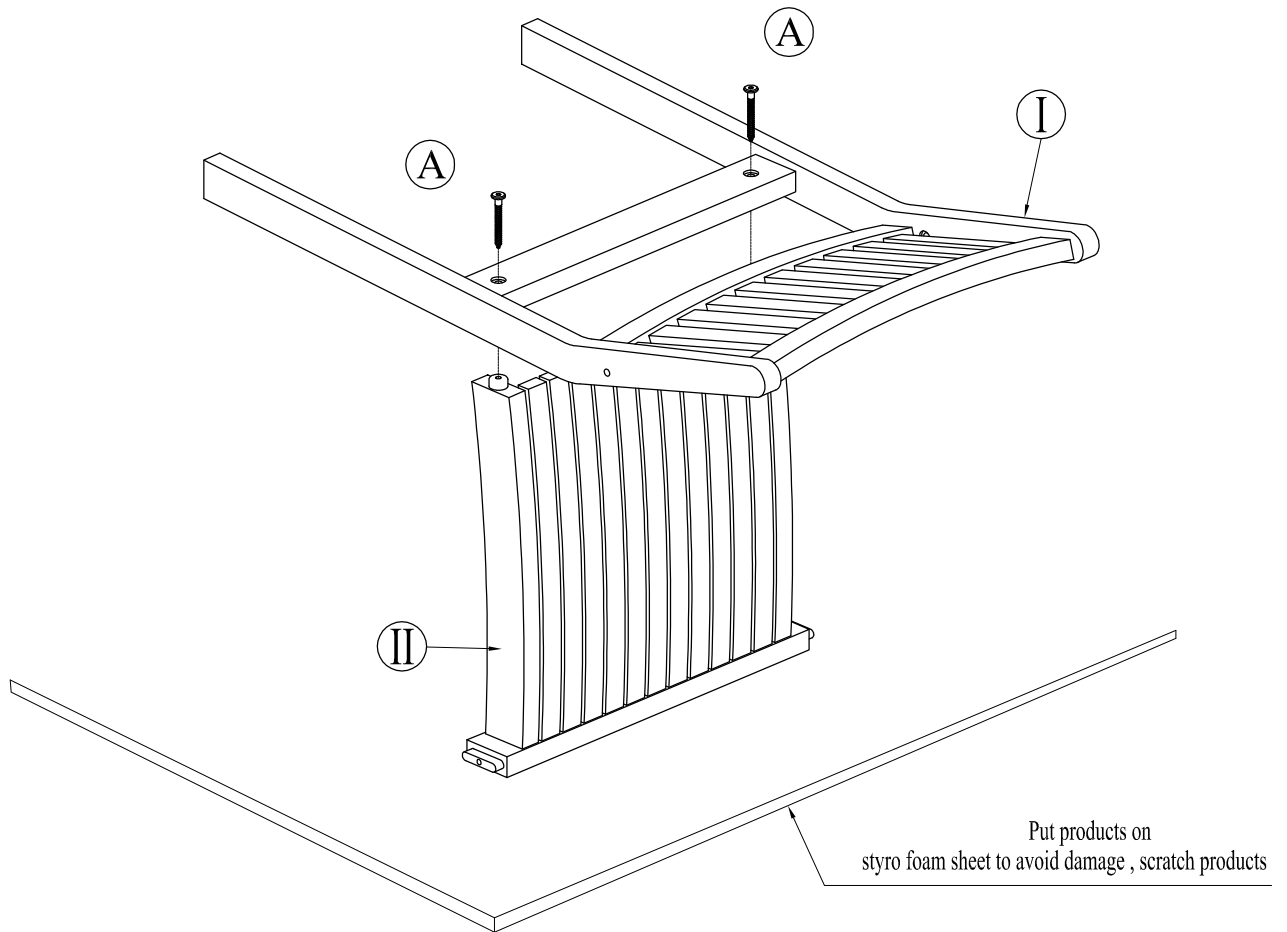
<p>Ⓘ</p>  <p>Q'TY 2</p>	<p>Ⓜ</p>  <p>Q'TY 2</p>
--	--

A		2	F - Screw 7x70
B		2	F - Screw 7x90
C		2	F - Bolt 8x50
D		2	Sleeve nut 8 x15
E		4	Metal Bracket
F		8	C - Screw 4x20
G		2	Allen Key

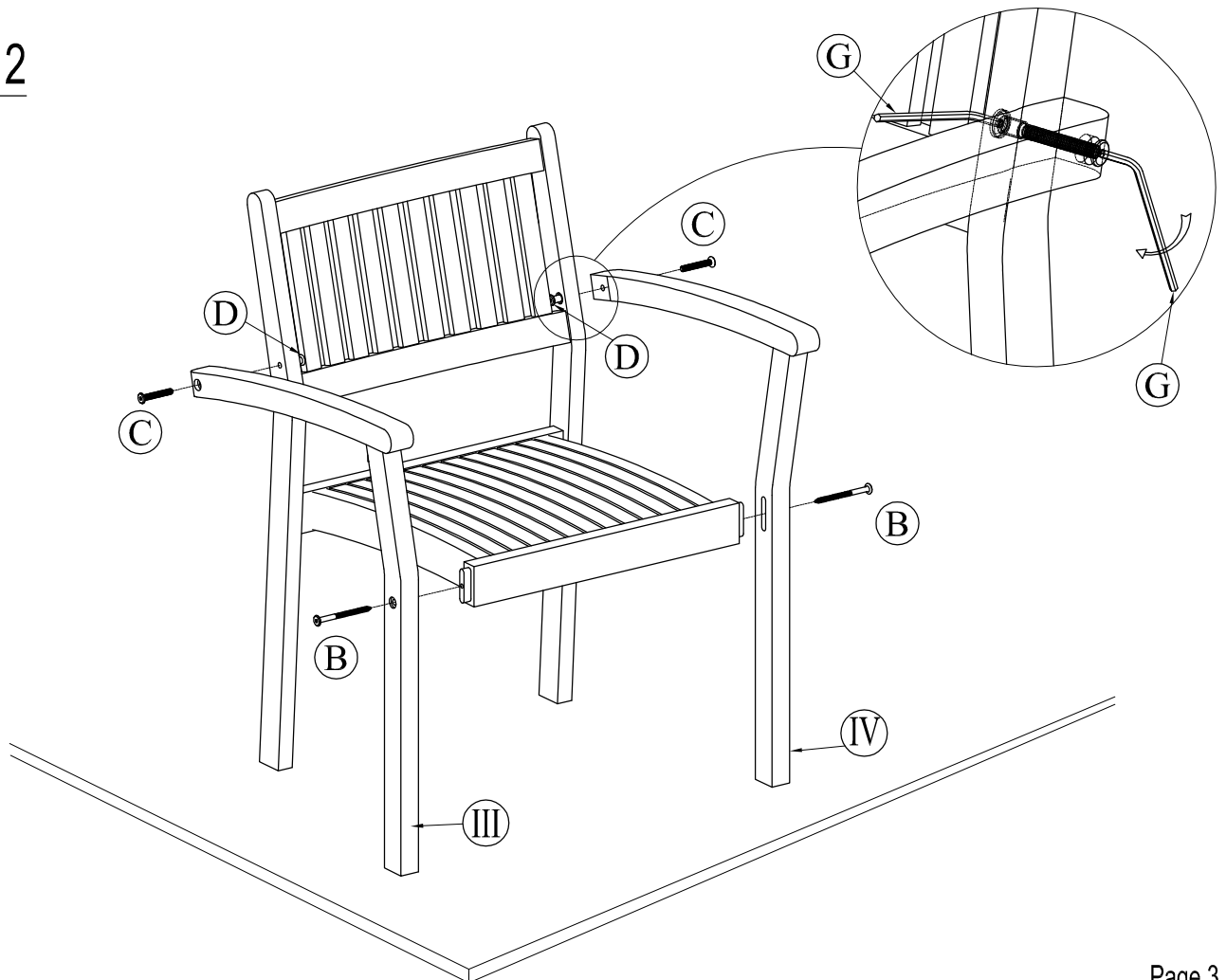
<p>Ⓜ</p>  <p>Q'TY 2</p>	<p>Ⓨ</p>  <p>Q'TY 2</p>
--	--

<p>SUPPORTING TOOLS</p>	
	<p>Screw driver</p>

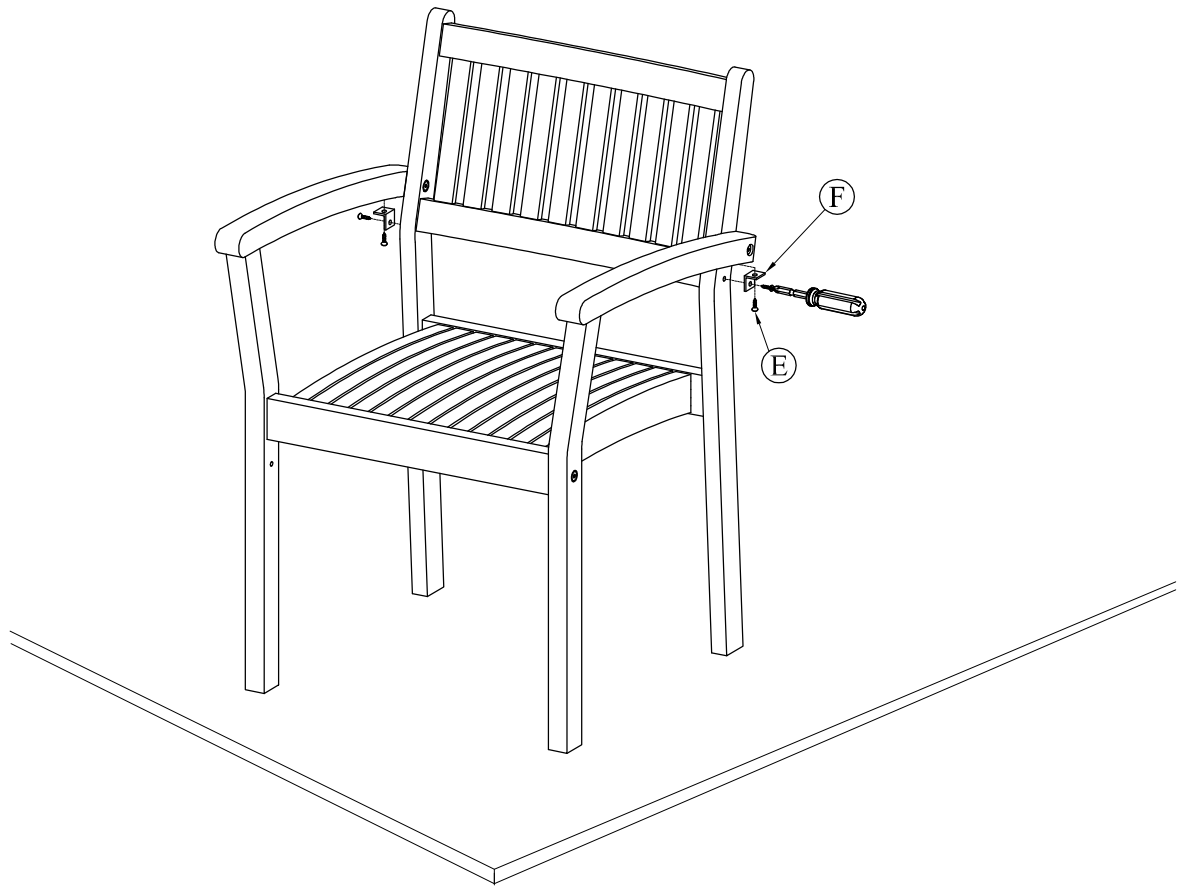
# Step 1



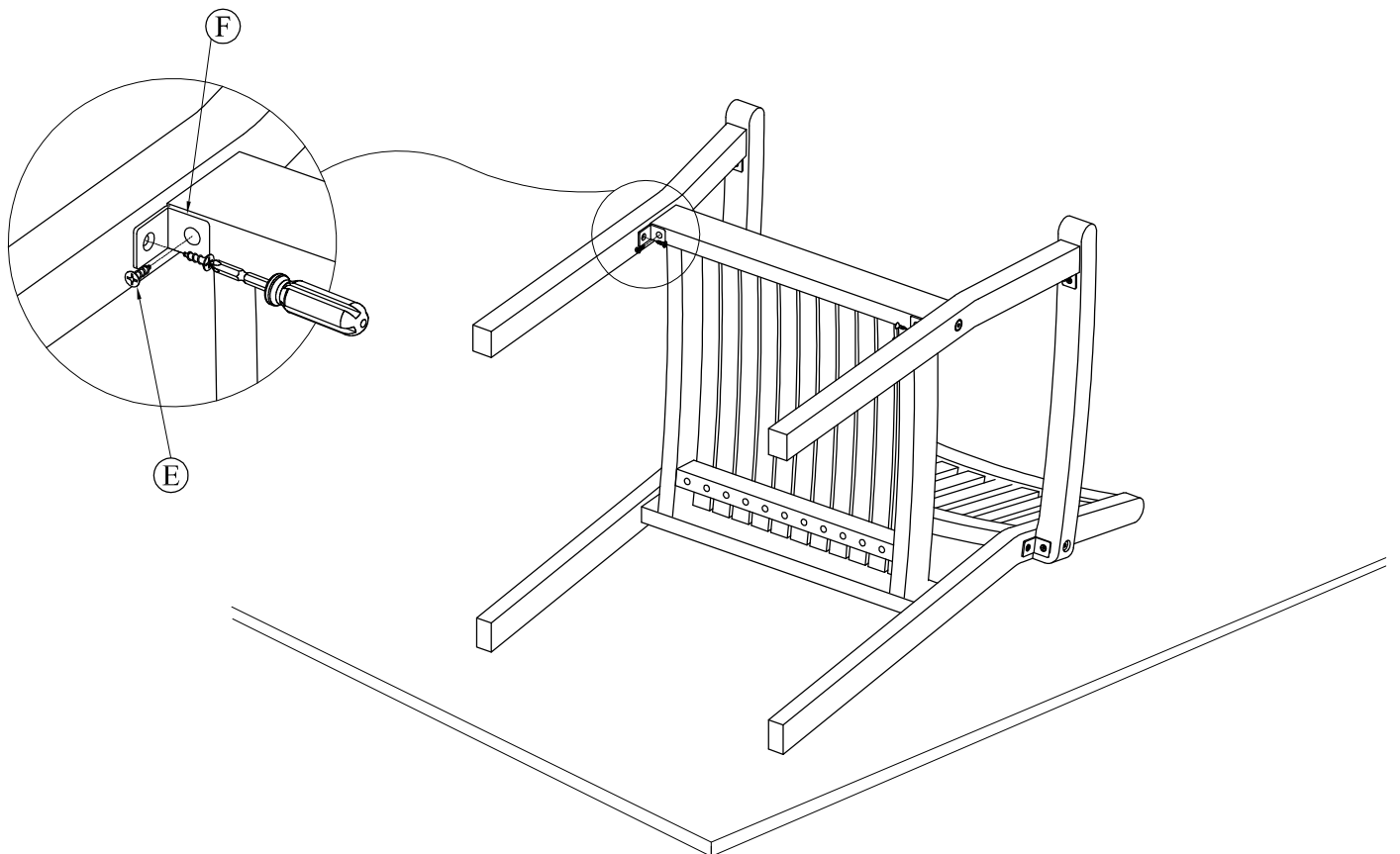
# Step 2

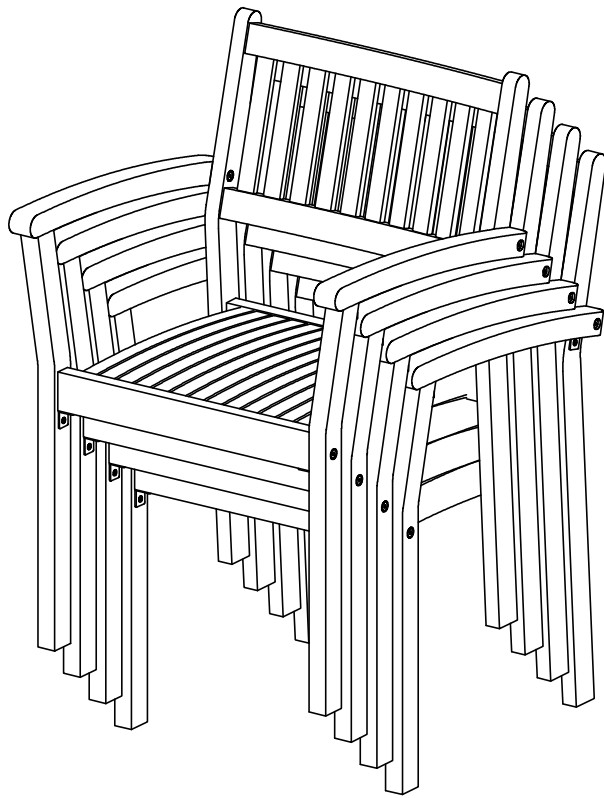
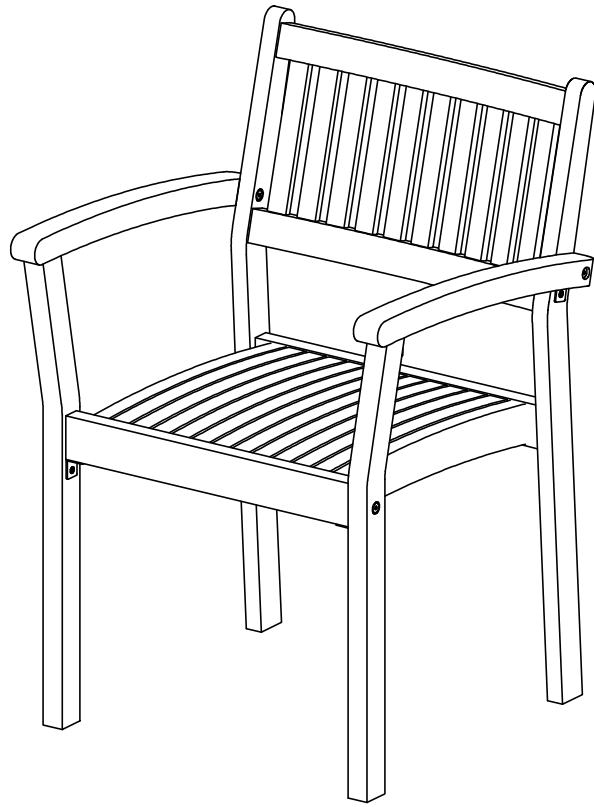


### Step 3



### Step 4





Warning: To ensure safety in using during please should not stack more than 4 chairs