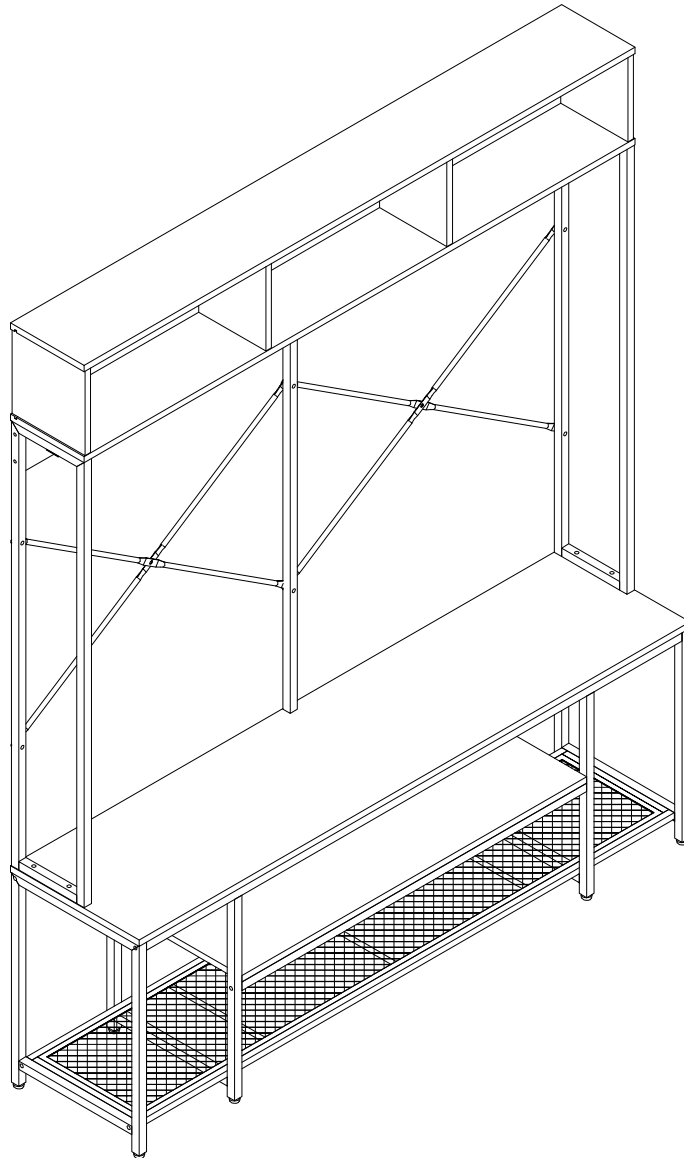


# ASSEMBLY INSTRUCTIONS

FTLFCR-6005

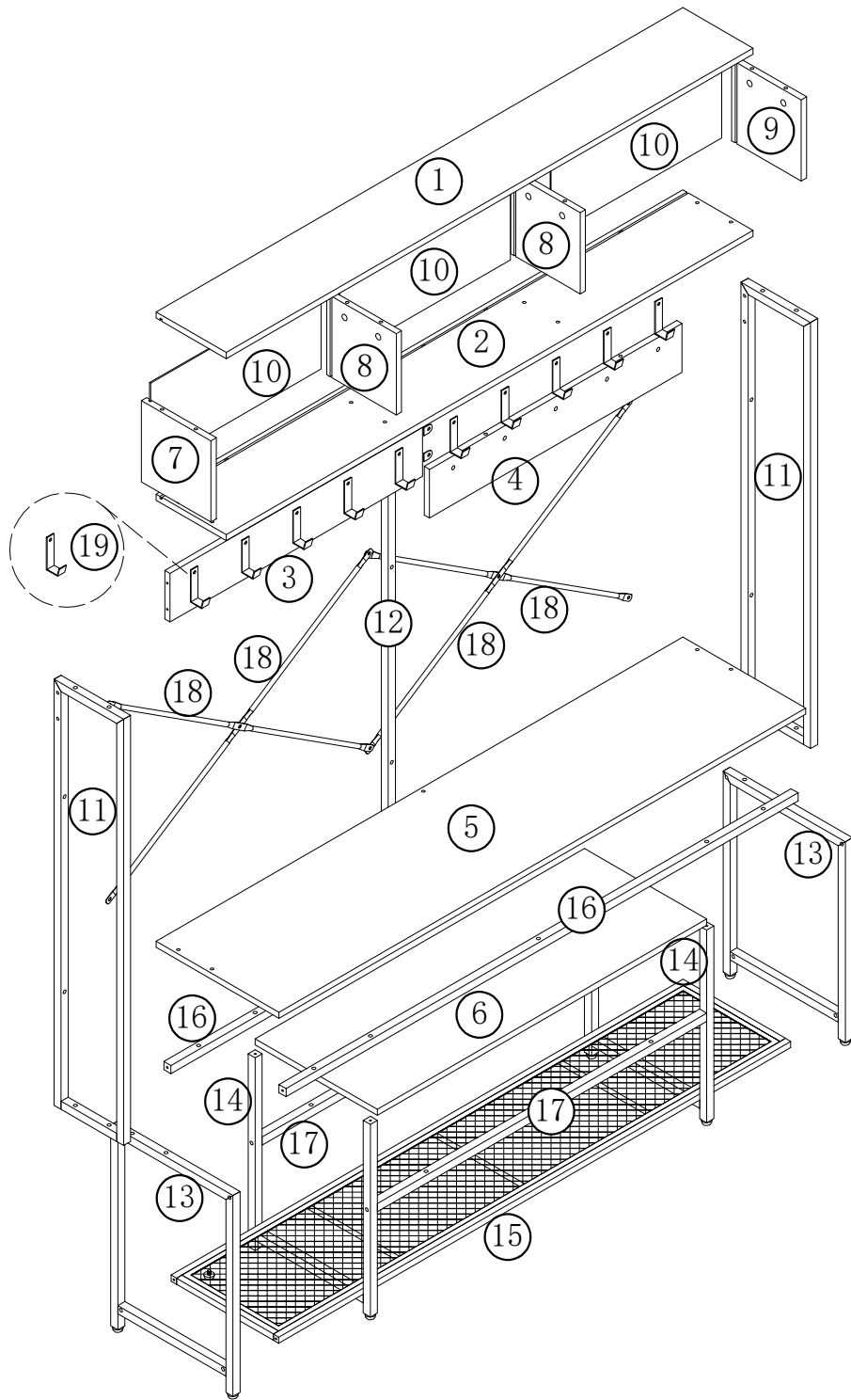


## Coat rack

### Notice:

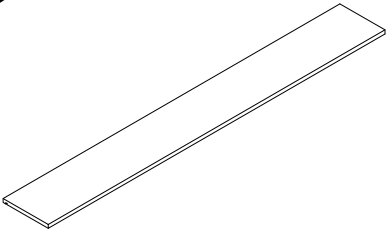
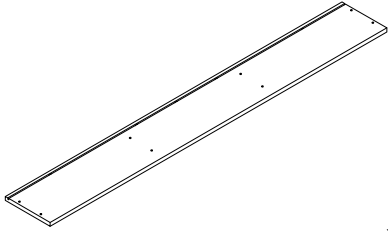
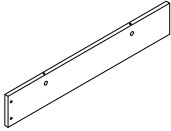
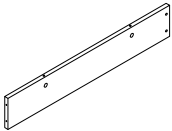
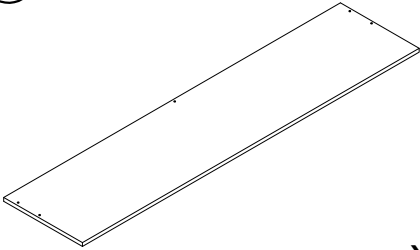
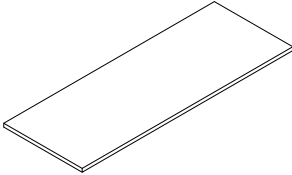
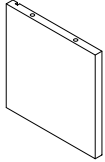
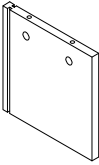
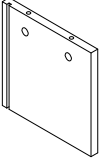
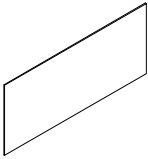
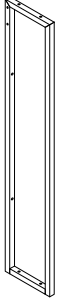

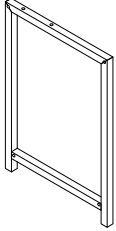
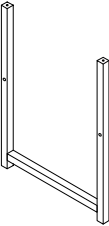
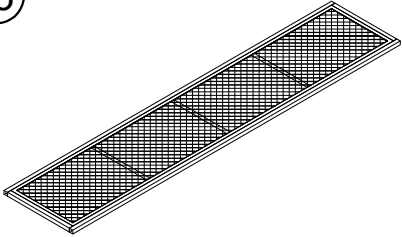
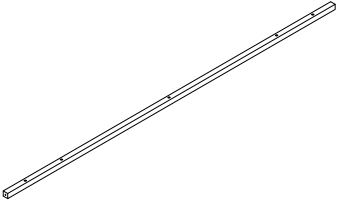
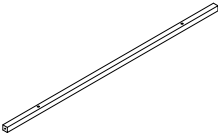

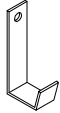
1. Follow the installation instructions. Please confirm all accessories are preset before installation.
2. Do not fully tighten the screws during initial assembly. Fully tighten screws only once all pieces which are correctly assembled.
3. If you encounter any problems during installation, please contact our customer service.

# ASSEMBLY INSTRUCTION



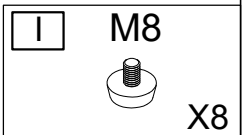
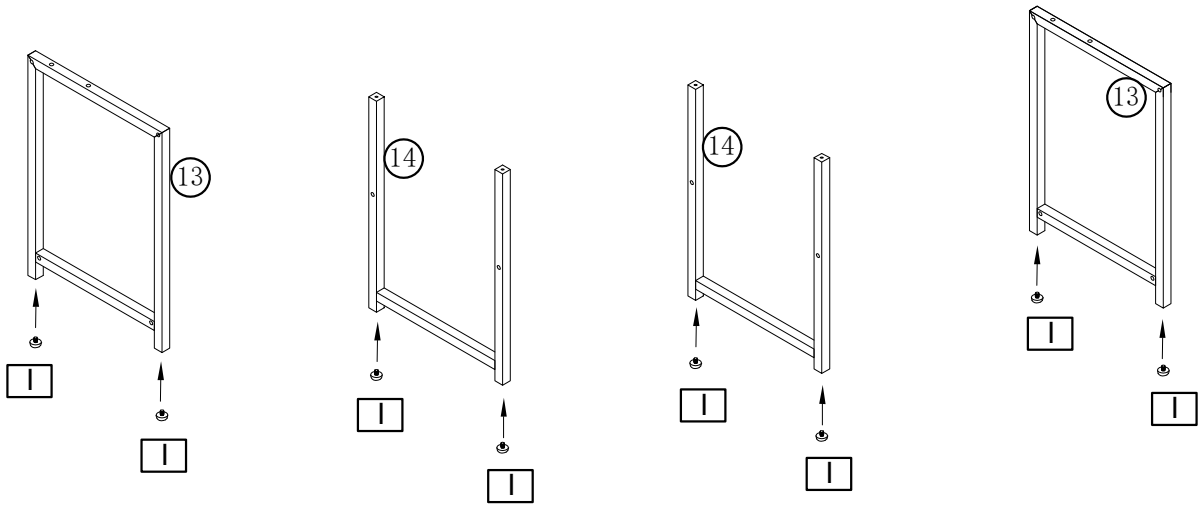
No.	PICTURE	SIZE	QTY	No.	PICTURE	SIZE	QTY
A		M6*10	16	H		M6	12
B		M6*30	16	I		M8	8
C		M6*40	16	J		M6*30	1
D		M6*60	5	K	X1    X1	ST3.5*14	8
E		ST7*40	8	L	X2    X2    X2		1
F		ST7*60	4		→ 12		1
G	∇11	M6*40	12				1

# ASSEMBLY INSTRUCTION

<p>①</p>  <p>X1</p>	<p>②</p>  <p>X1</p>	<p>③</p>  <p>X1</p>	
<p>④</p>  <p>X1</p>	<p>⑤</p>  <p>X1</p>	<p>⑥</p>  <p>X1</p>	
<p>⑦</p>  <p>X1</p>	<p>⑧</p>  <p>X2</p>	<p>⑨</p>  <p>X1</p>	
<p>⑩</p>  <p>X3</p>	<p>⑪</p>  <p>X2</p>	<p>⑫</p>  <p>X1</p>	
<p>⑬</p>  <p>X2</p>	<p>⑭</p>  <p>X2</p>	<p>⑮</p>  <p>X1</p>	
<p>⑯</p>  <p>X2</p>	<p>⑰</p>  <p>X2</p>	<p>⑱</p>  <p>X4</p>	<p>⑲</p>  <p>X10</p>

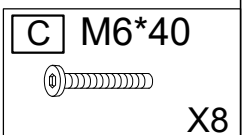
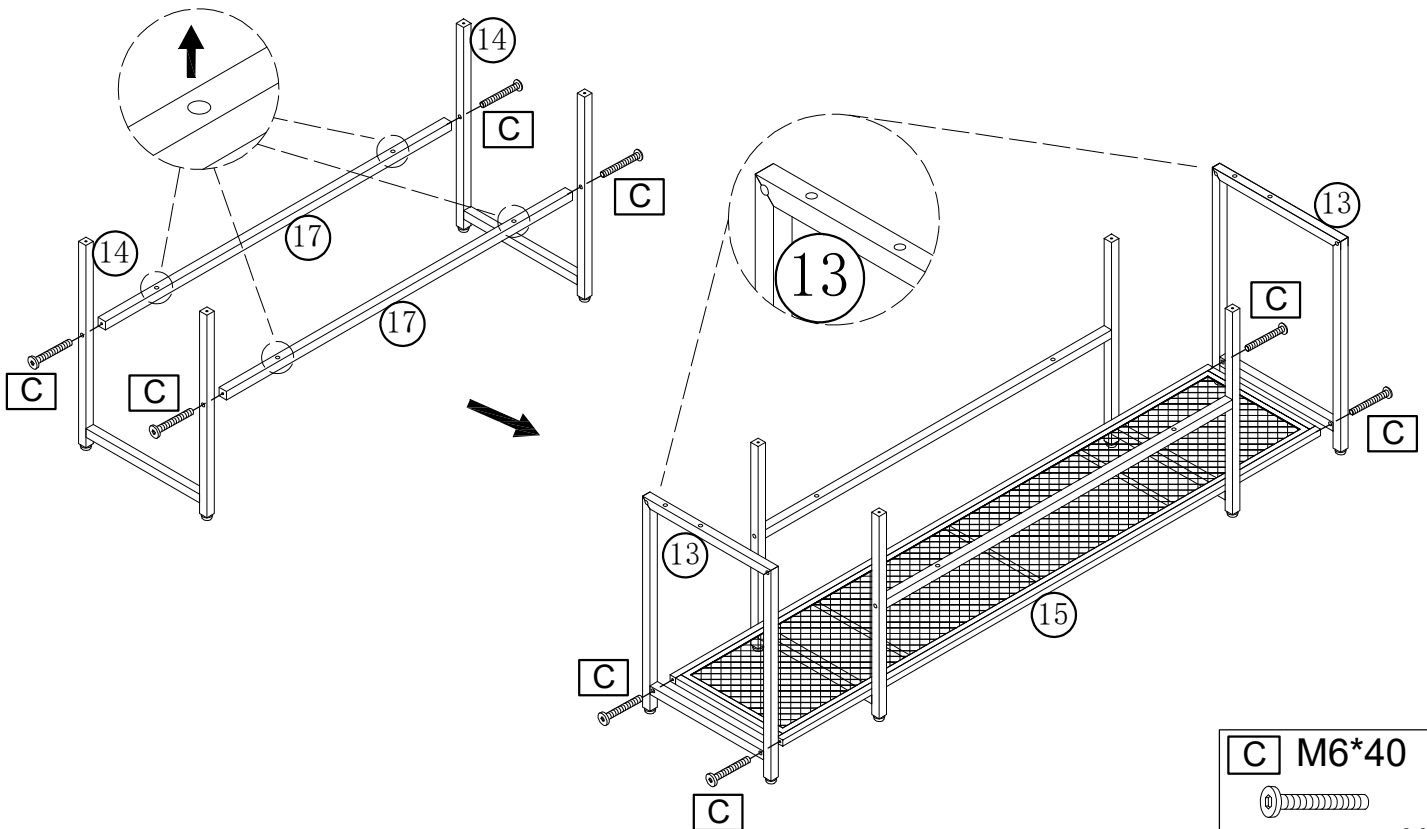
# ASSEMBLY INSTRUCTION

## STEP 1



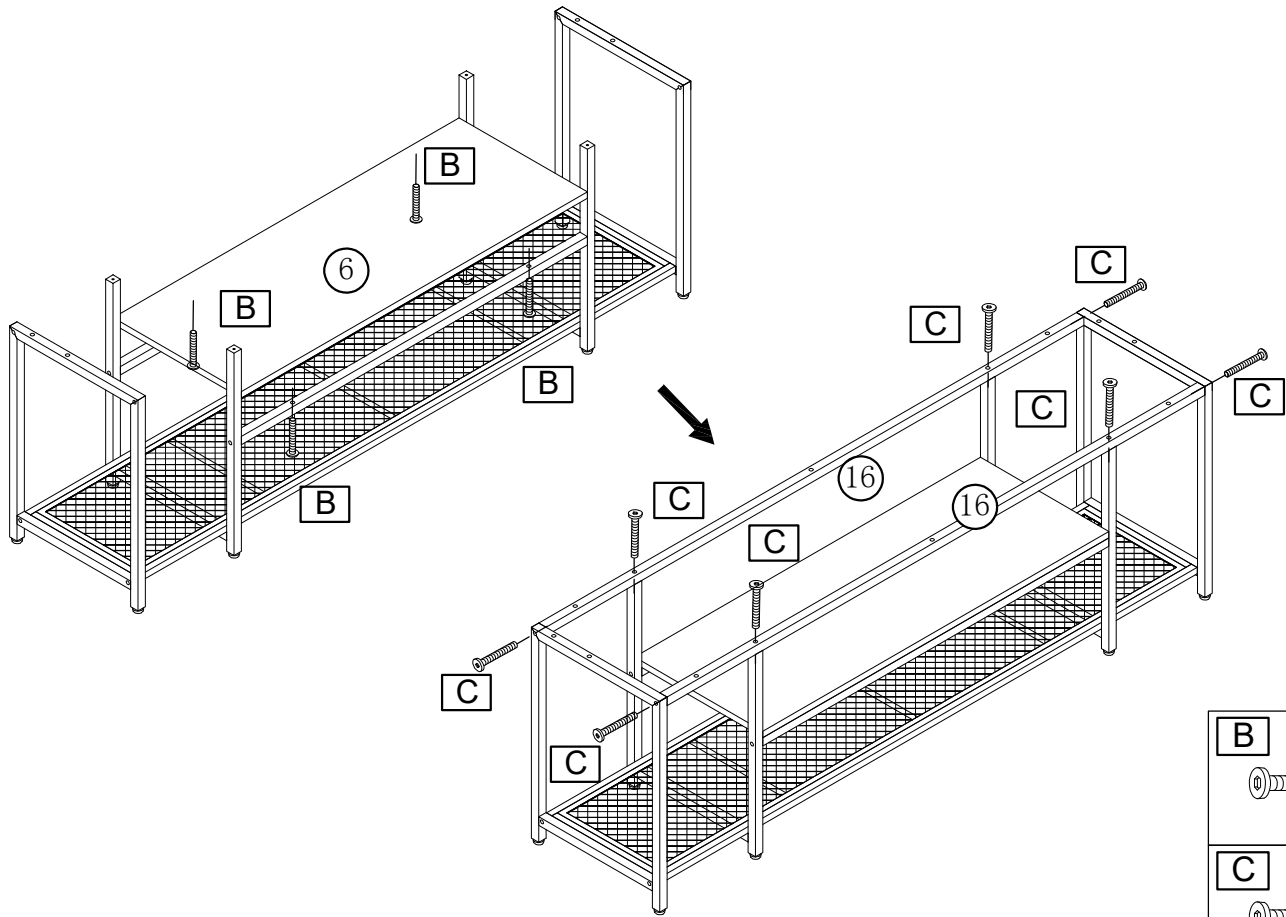
## STEP 2

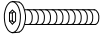
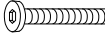
The side holes face upwards



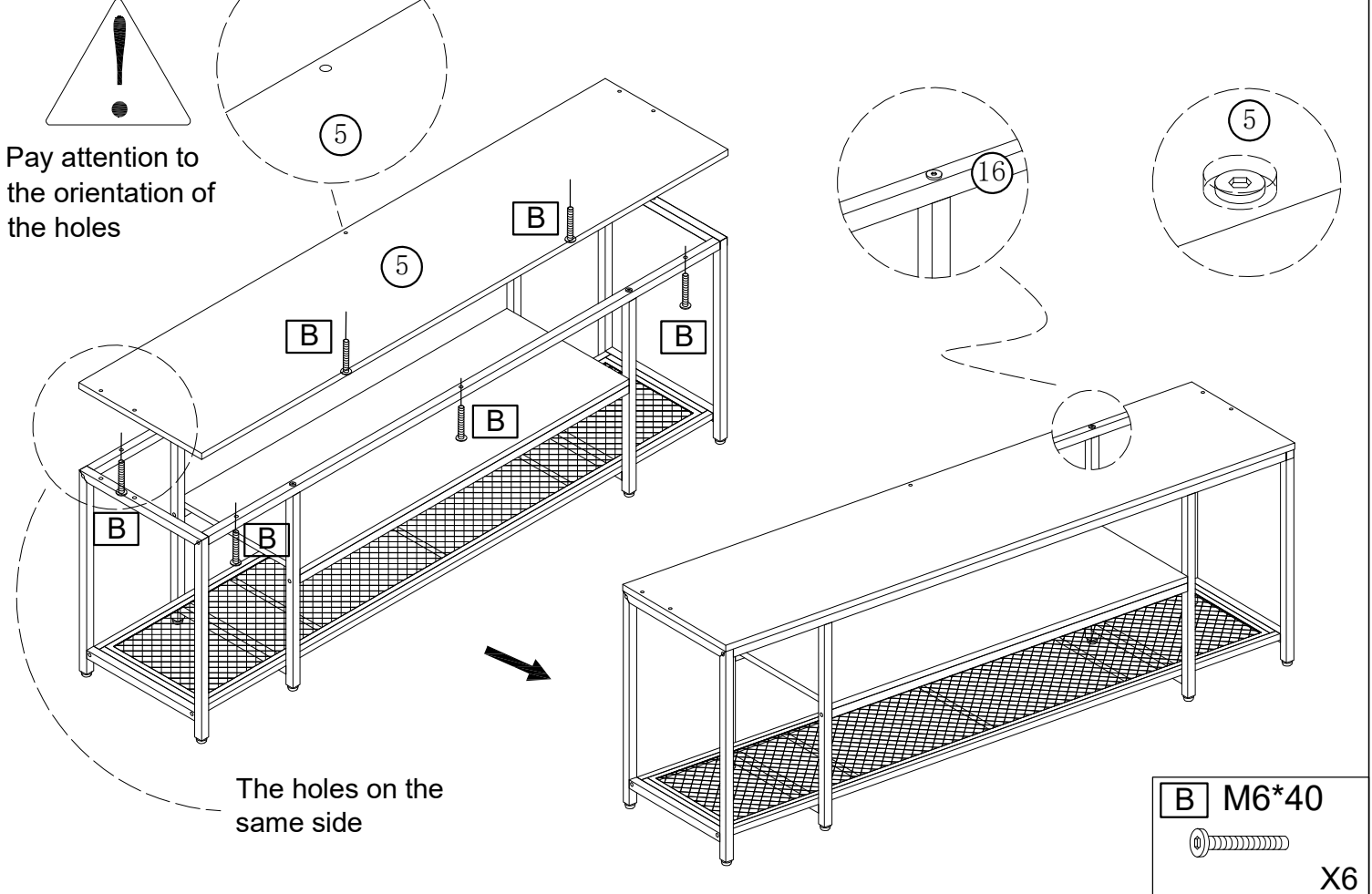
# ASSEMBLY INSTRUCTION


## STEP 3



<b>B</b>	M6*30
	X4
<b>C</b>	M6*40
	X8

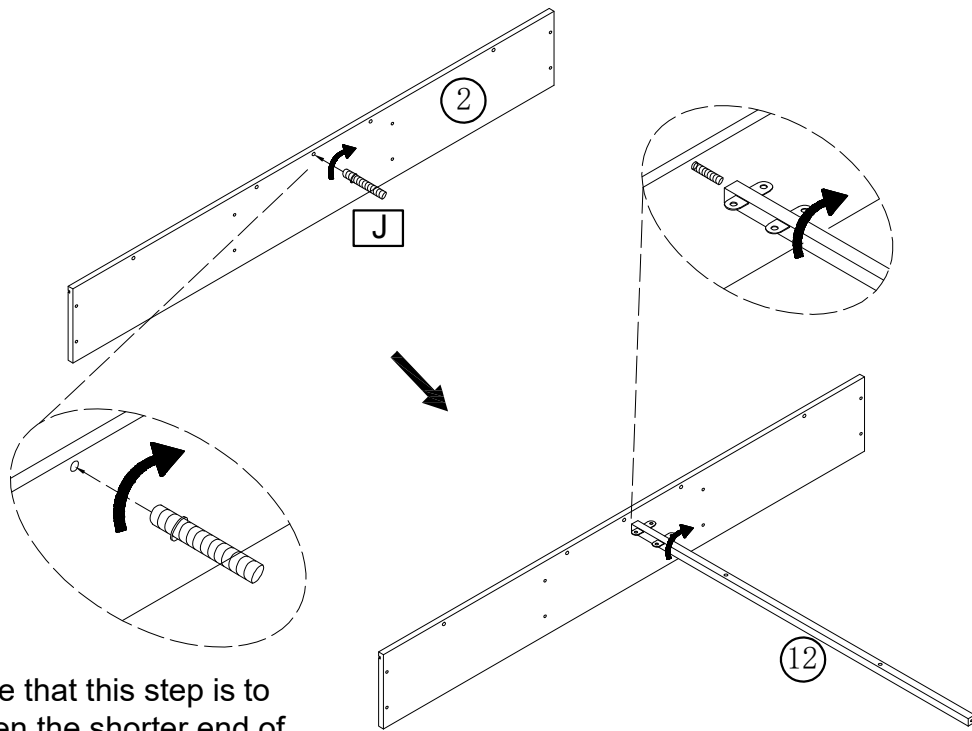
## STEP 4



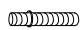
<b>B</b>	M6*40
	X6

# ASSEMBLY INSTRUCTION

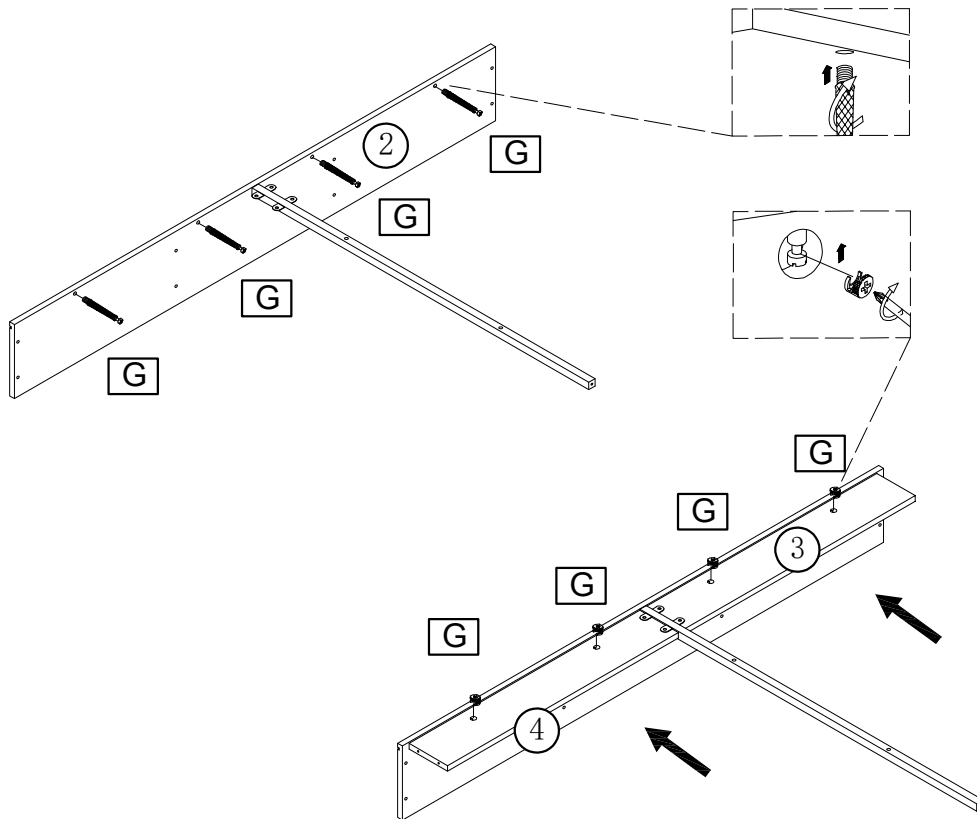
## STEP 5




Note that this step is to tighten the shorter end of the M6\*30 screw first

J	M6*30
	
X1	

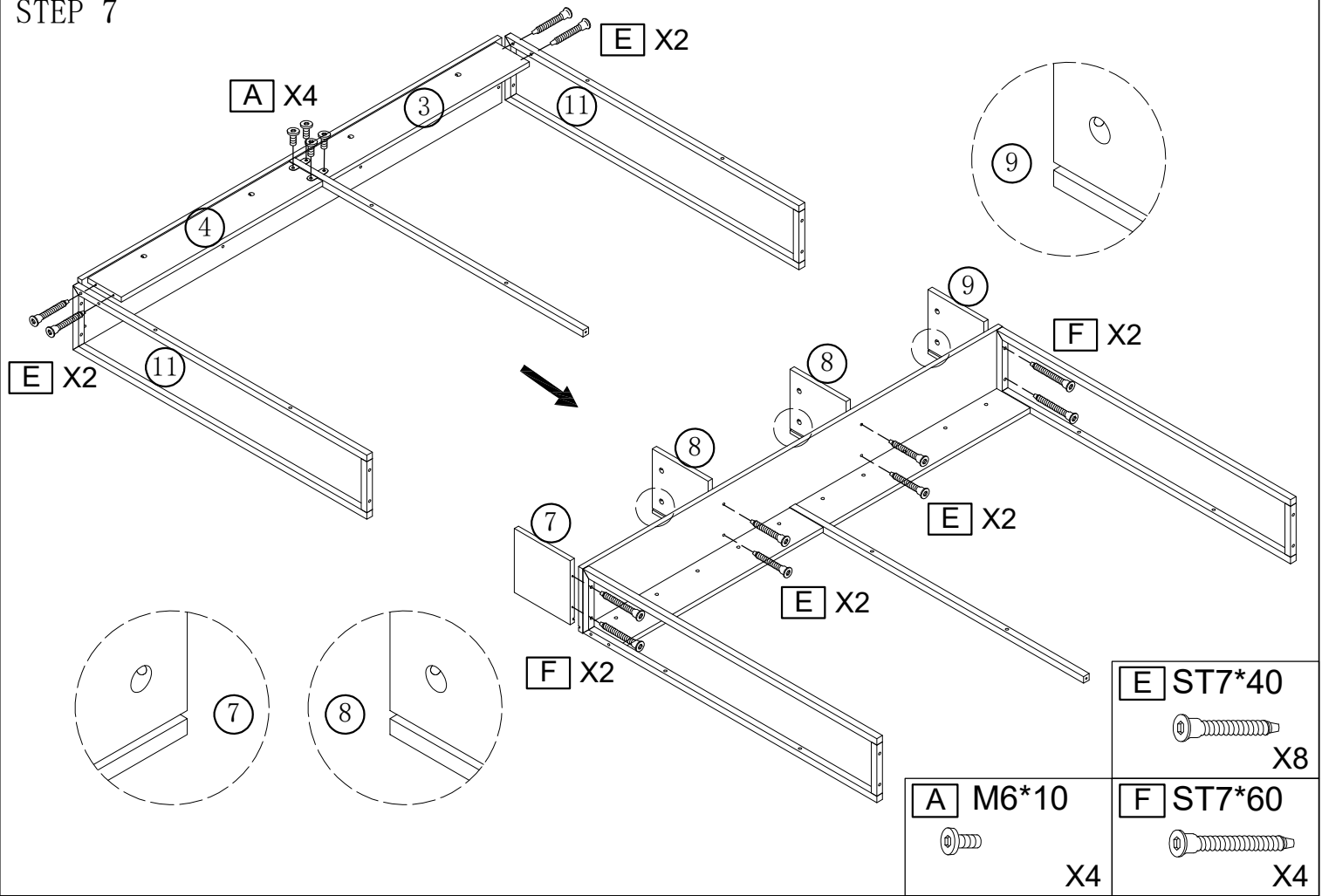
## STEP 6



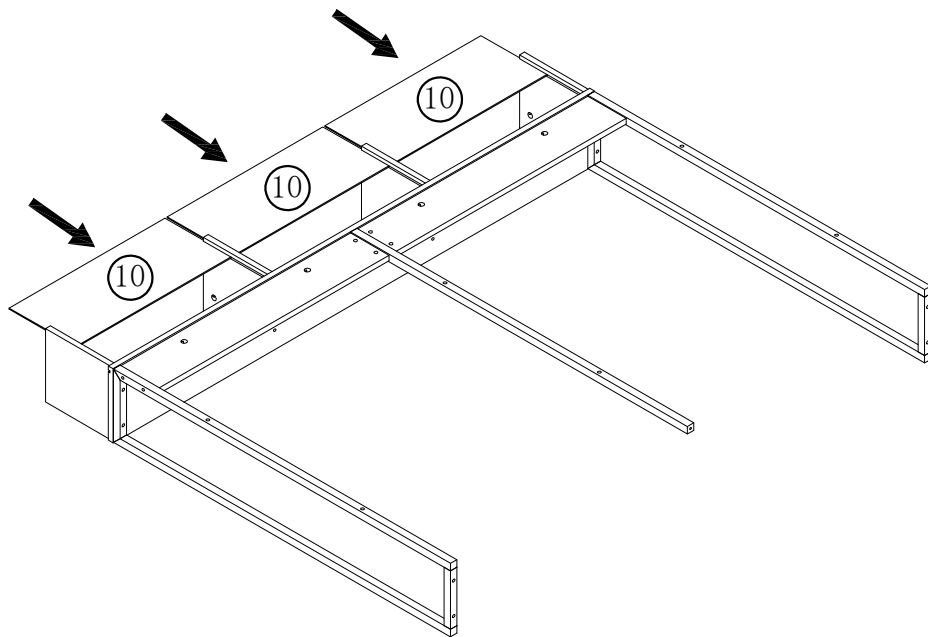
G	M6*40
	
X4	

# ASSEMBLY INSTRUCTION

STEP 7

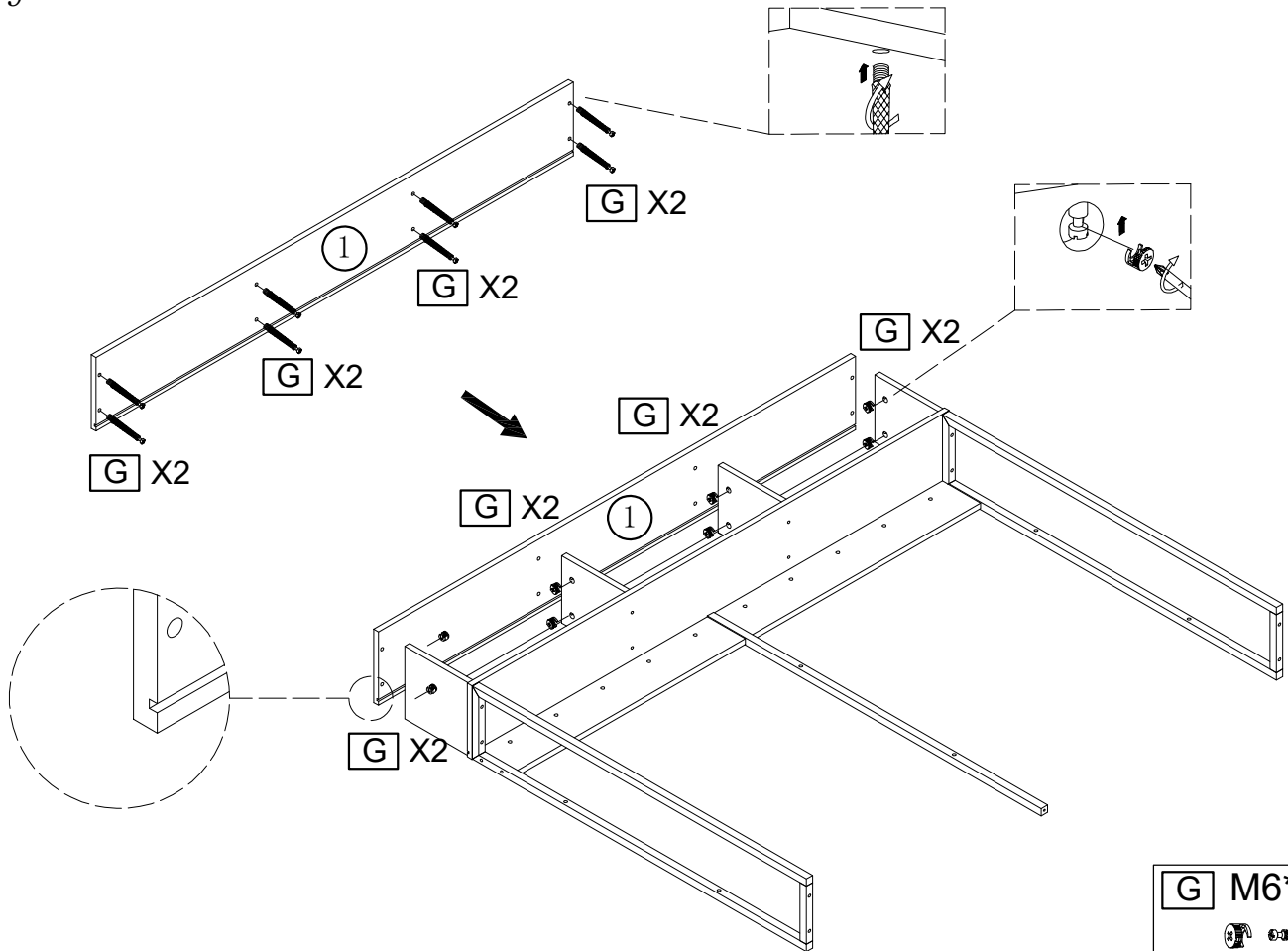



STEP 8



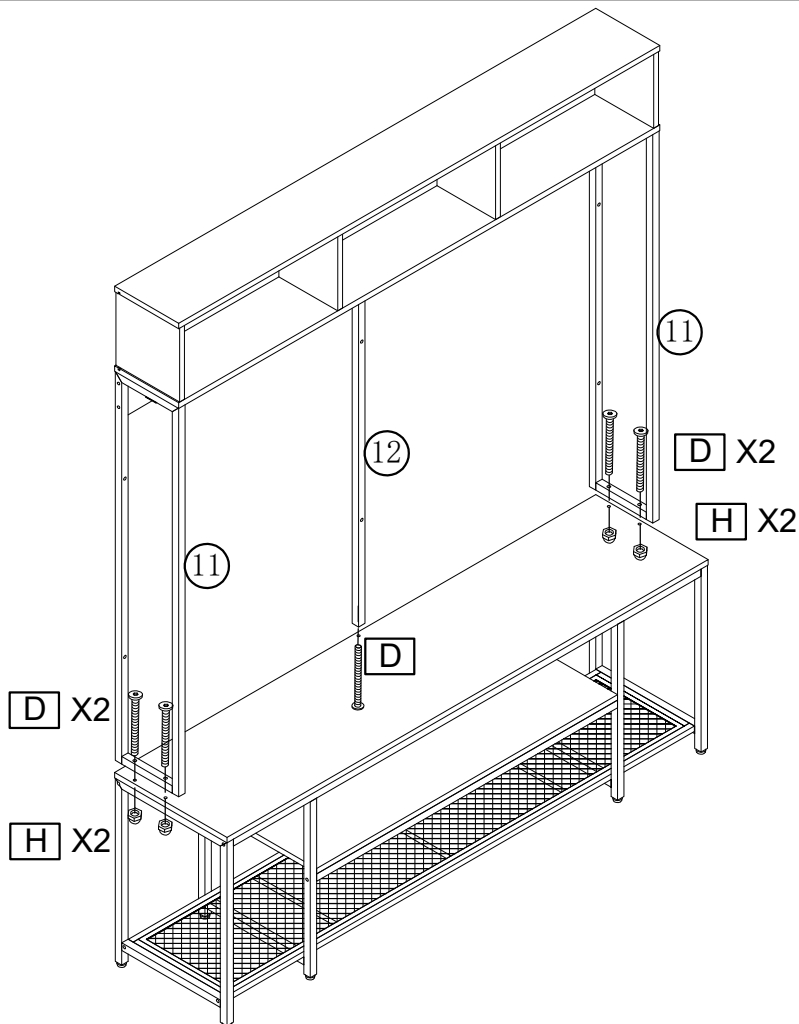
# ASSEMBLY INSTRUCTION

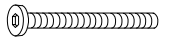

STEP 9



**G** M6\*40  
  
 X8

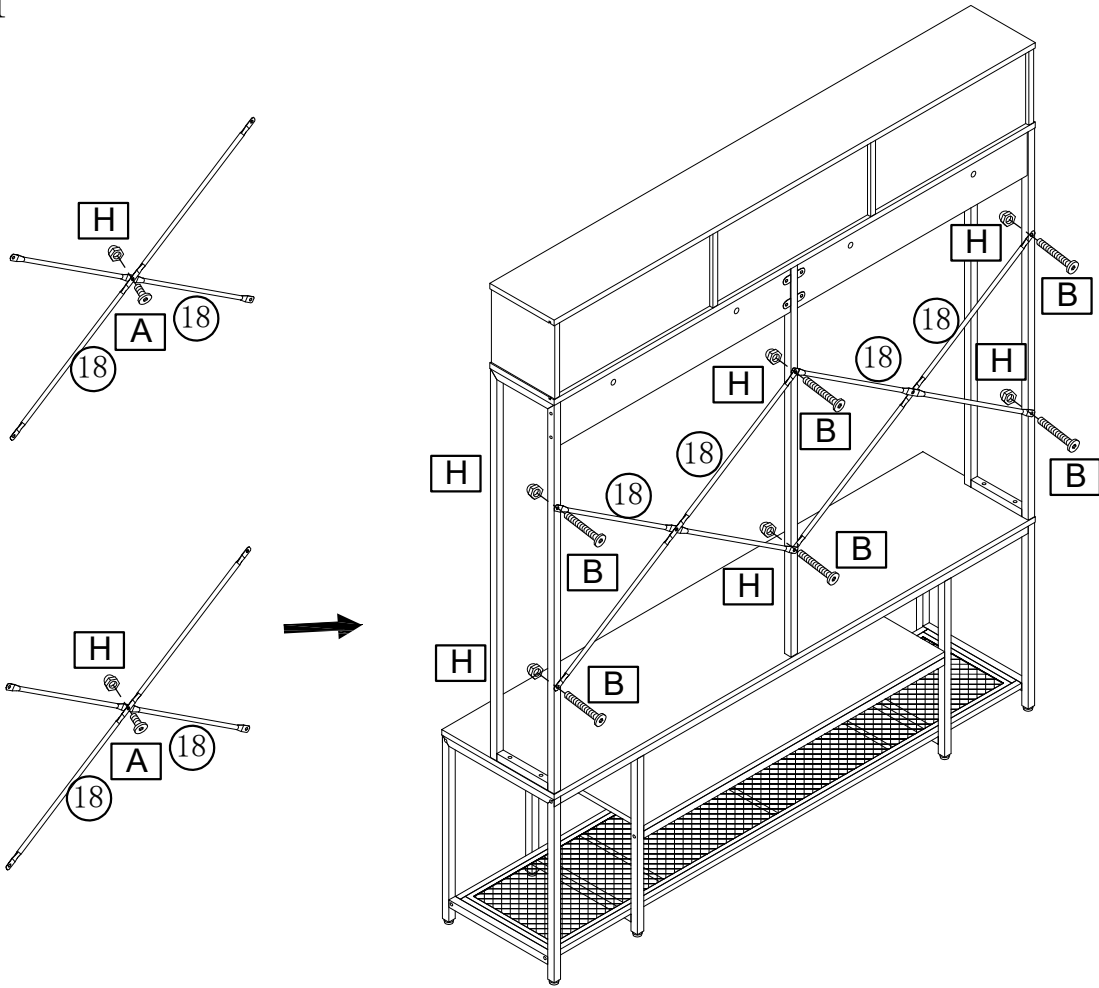
STEP 10



**D** M6\*60  
  
 X5  
**H** M6  
  
 X4

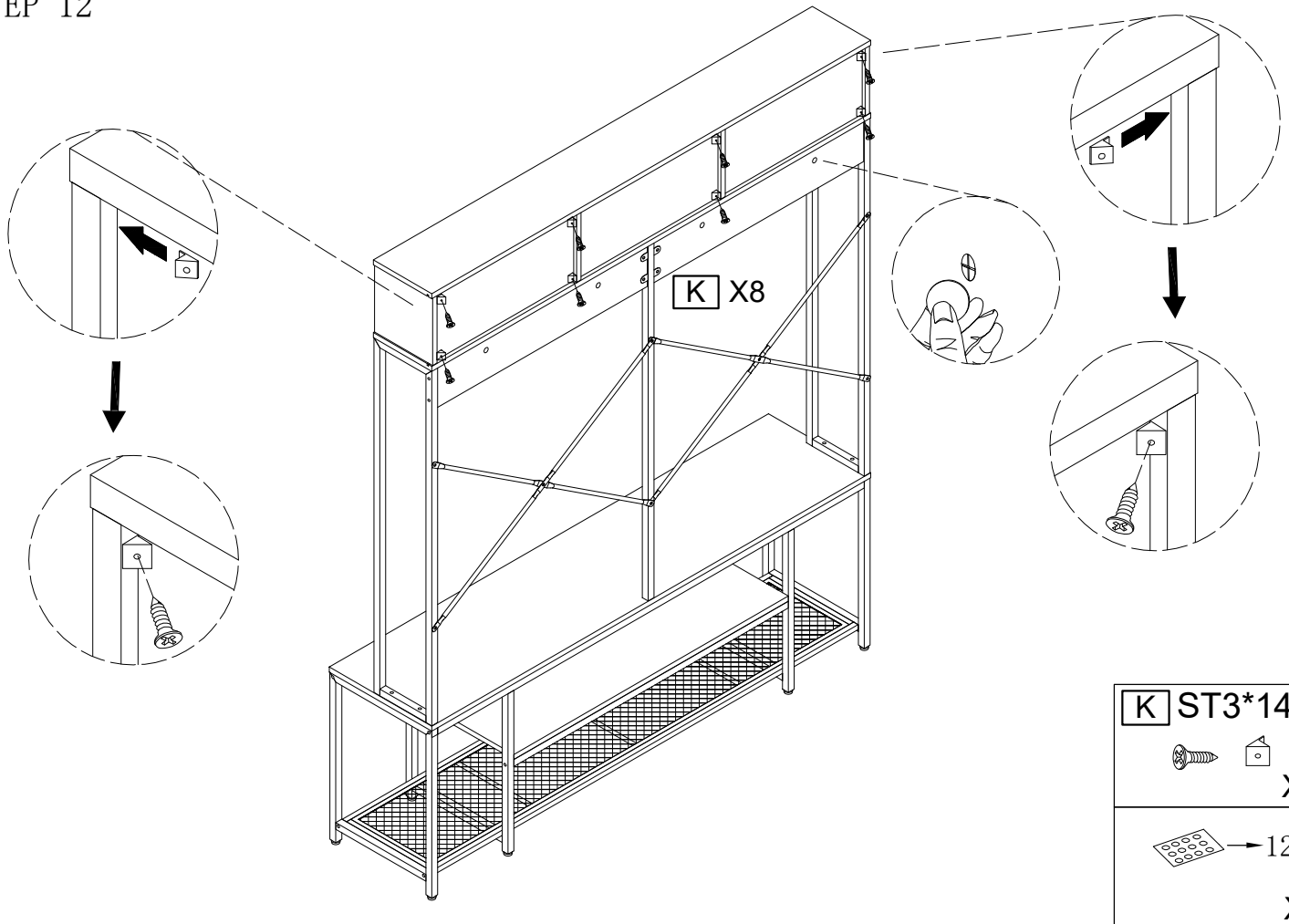
# ASSEMBLY INSTRUCTION

## STEP 11



<b>A</b>	M6*10		X2
<b>B</b>	M6*30		X6
<b>H</b>	M6		X8

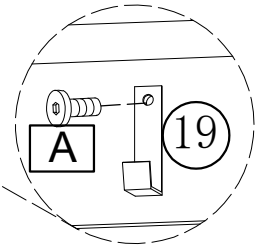
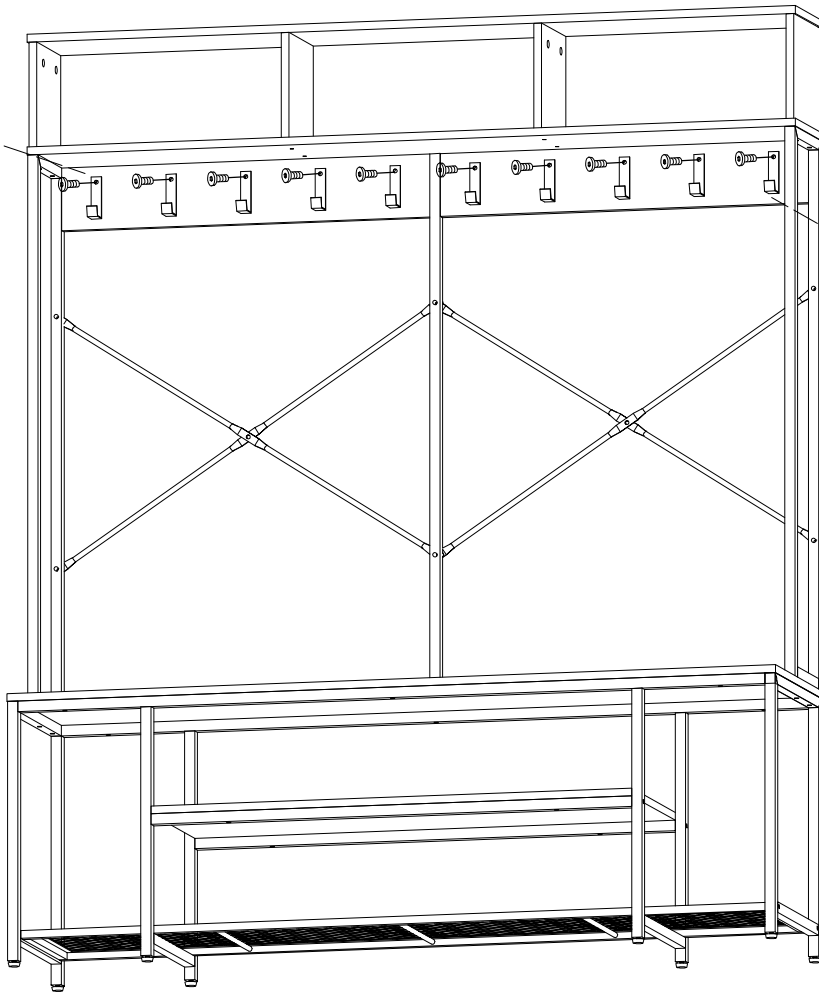
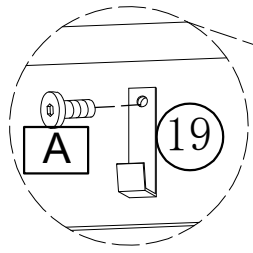
## STEP 12



<b>K</b>	ST3*14			X8
			→ 12	X1

# ASSEMBLY INSTRUCTION

STEP 13

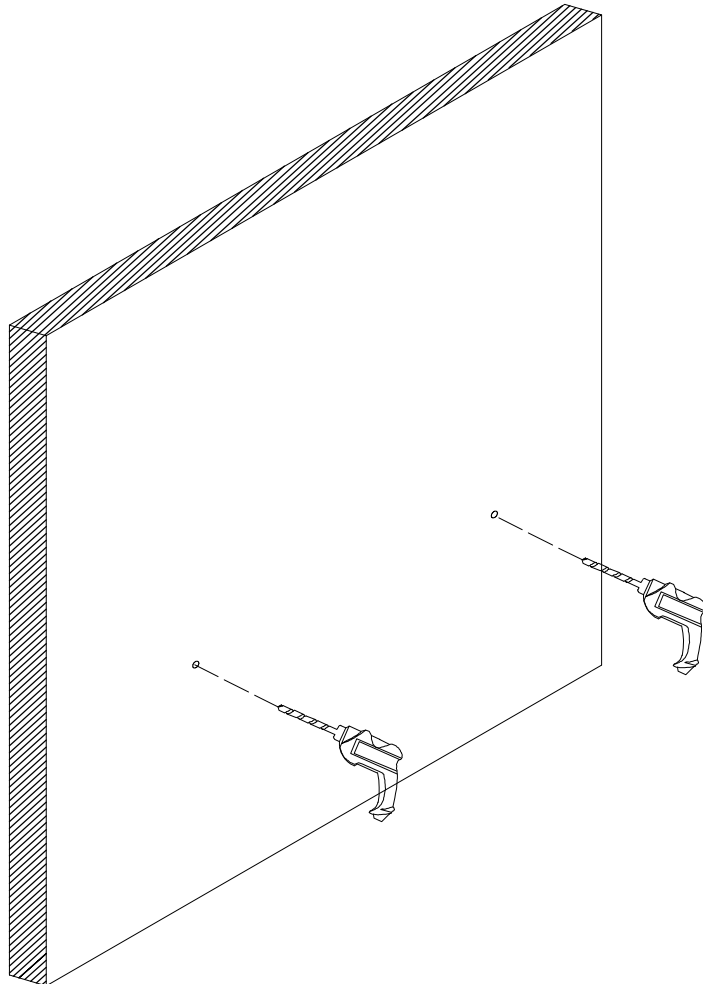


A M6\*10



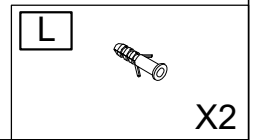
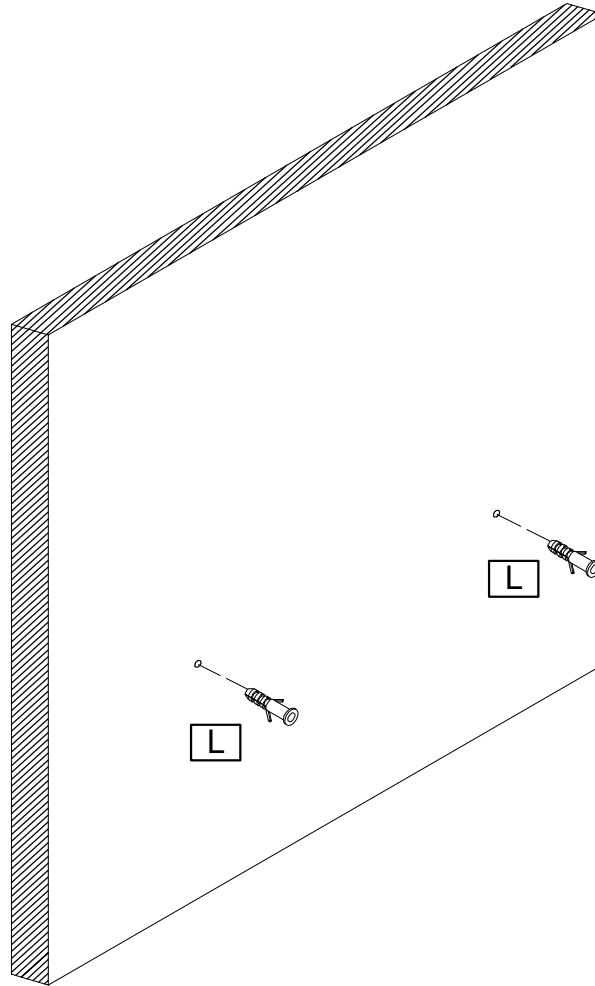
X10

STEP 14

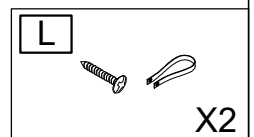
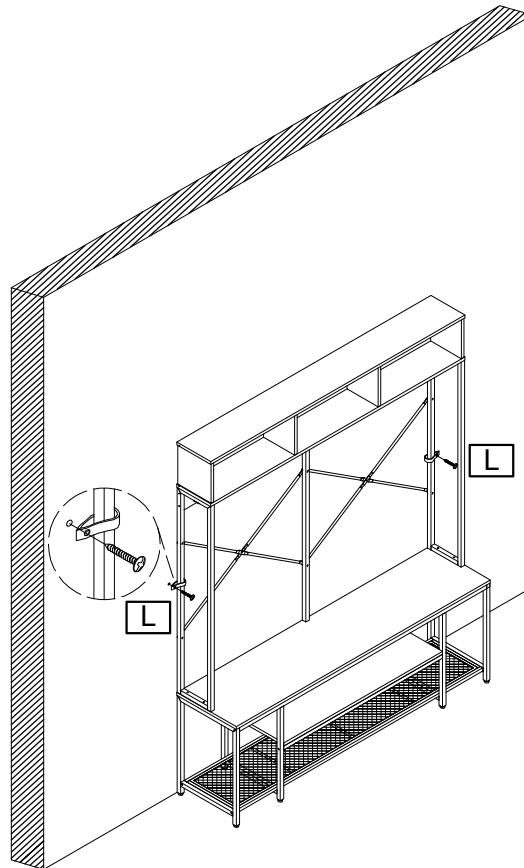


# ASSEMBLY INSTRUCTION

STEP 15



STEP 16



Installation completed