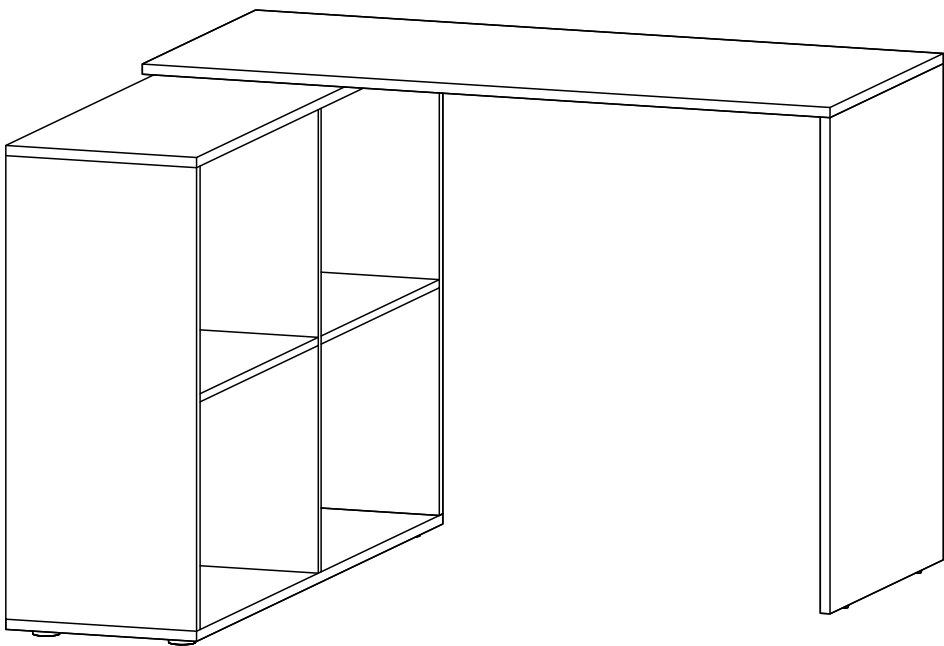


# INSTRUCTION MANUAL



---

Before assembling, read all the instructions.  
If you have any question, Please contact us.

**DESK**

Please make sure that you have all the following parts listed before installation.  
If you find that something is missing, please stop assembling and contact us.






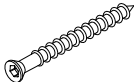


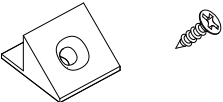
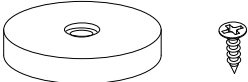



1 PERSON  
ASSEMBLY



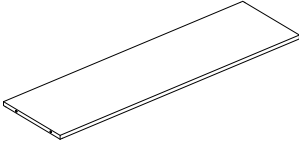
APPROXIMATELY  
40 MINUTES ASSEMBLY

## HARDWARE

<p><b>1</b> M6*40</p>  <p>11PCS+2</p>	<p><b>2</b> 15*11</p>  <p>11PCS+2</p>	<p><b>3</b> M6*25</p>  <p>6PCS+1</p>
<p><b>4</b> 12*10</p>  <p>6PCS+1</p>	<p><b>5</b> 8*40</p>  <p>2PCS+1</p>	<p><b>6</b> 5*40</p>  <p>12PCS+2</p>
<p><b>7</b> 5 X <math>\Phi</math>12</p>  <p>2PCS+1</p>	<p><b>8</b></p>  <p>23PCS</p>	<p><b>9</b> M3*14</p>  <p>16PCS+2</p>
<p><b>10</b> 10*40/3.5*14</p>  <p>8PCS</p>		<p><b>11</b> 3#</p>  <p>1PCS</p>

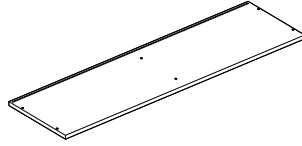
# PARTS LIST

A



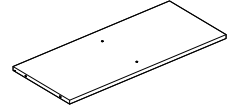
1PCS

B



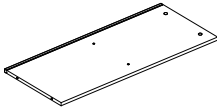
1PCS

C



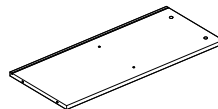
1PCS

D



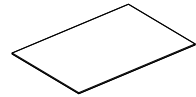
1PCS

E



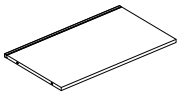
1PCS

F



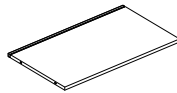
4PCS

G



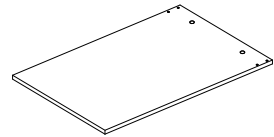
1PCS

H



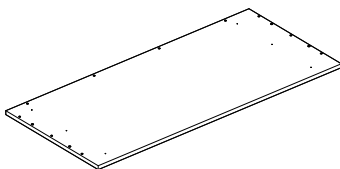
1PCS

J



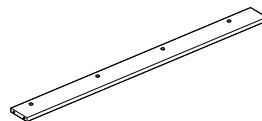
1PCS

K



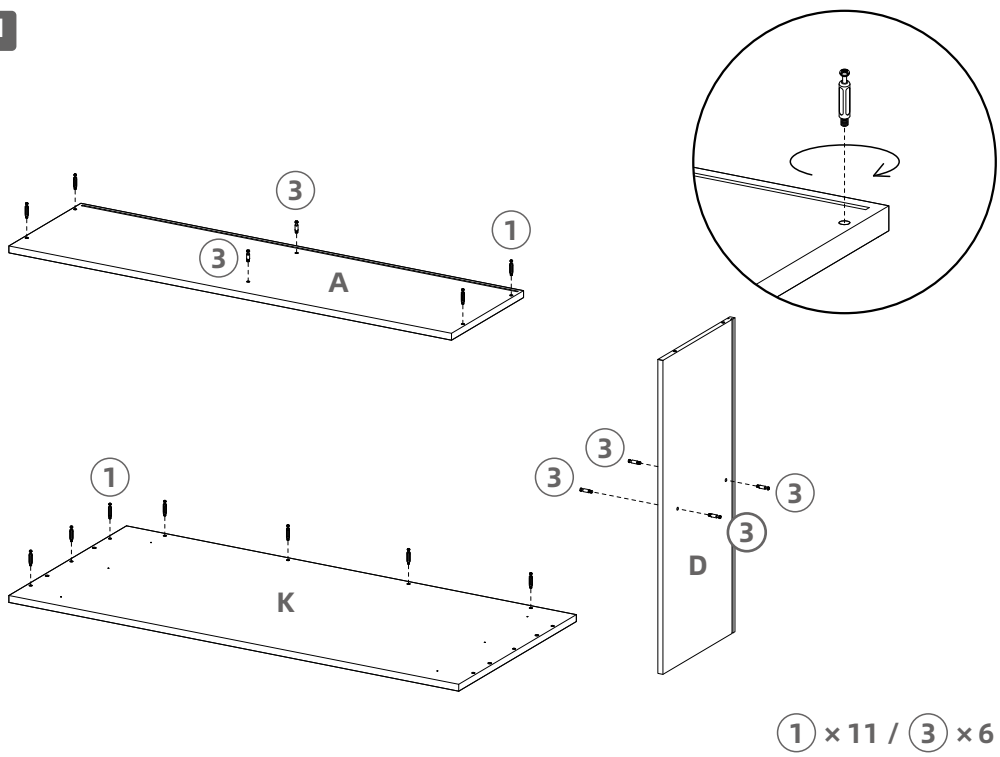
1PCS

L

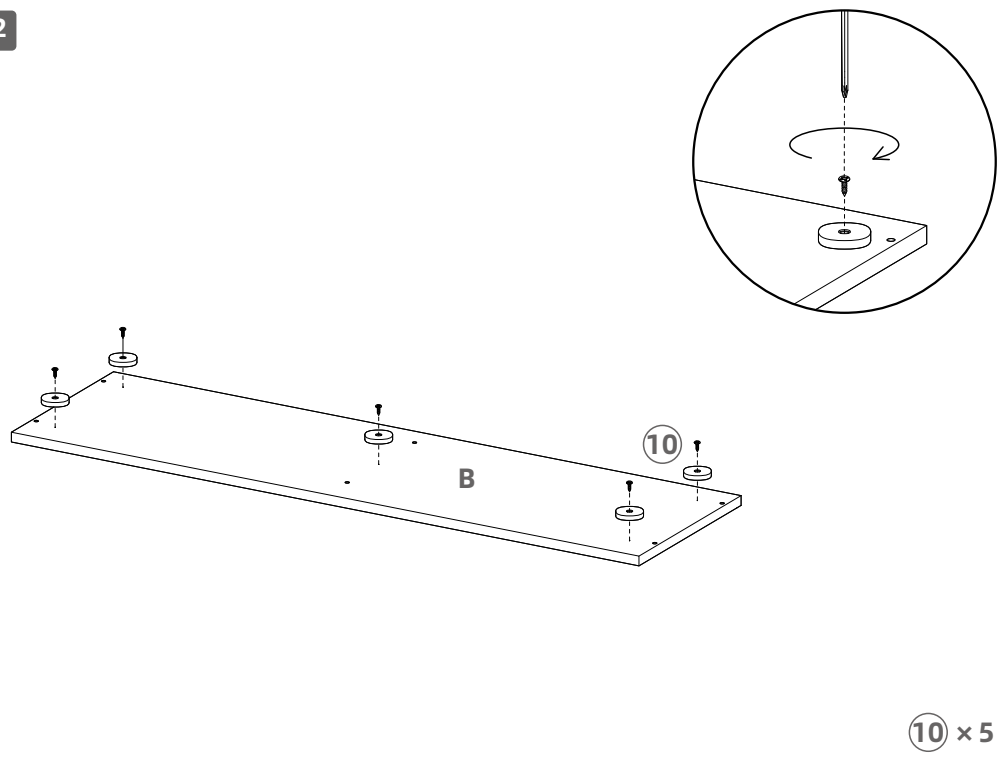


1PCS

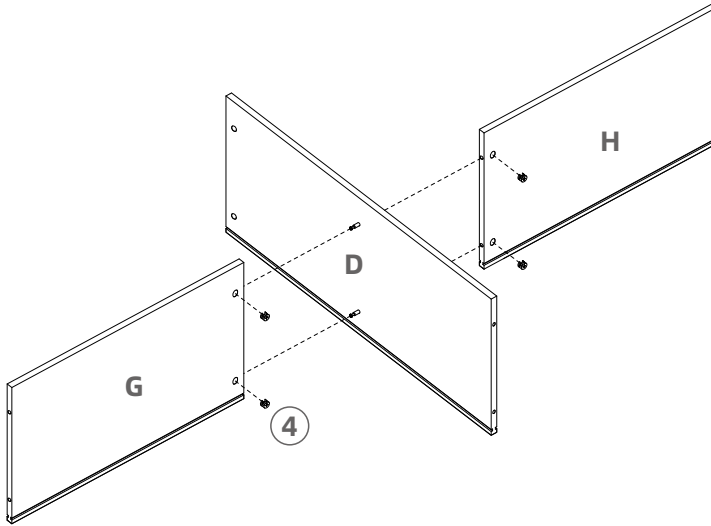
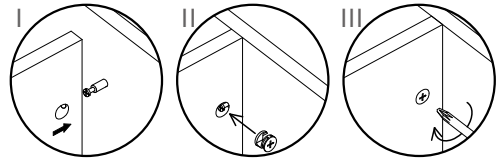
**Step 1**



**Step 2**

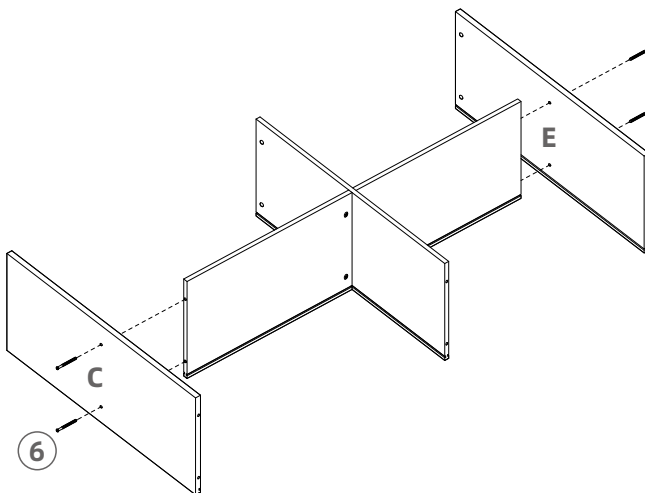
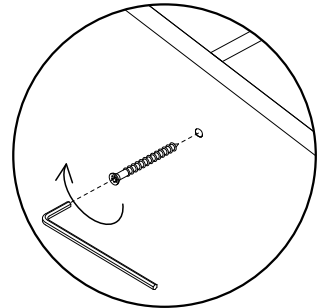


Step 3



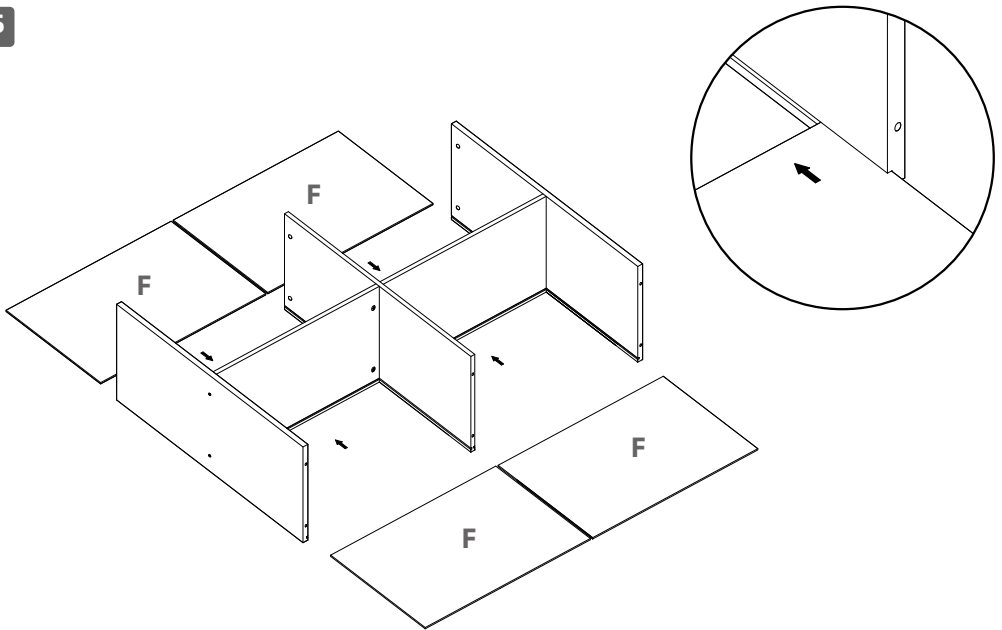
4 × 4

Step 4

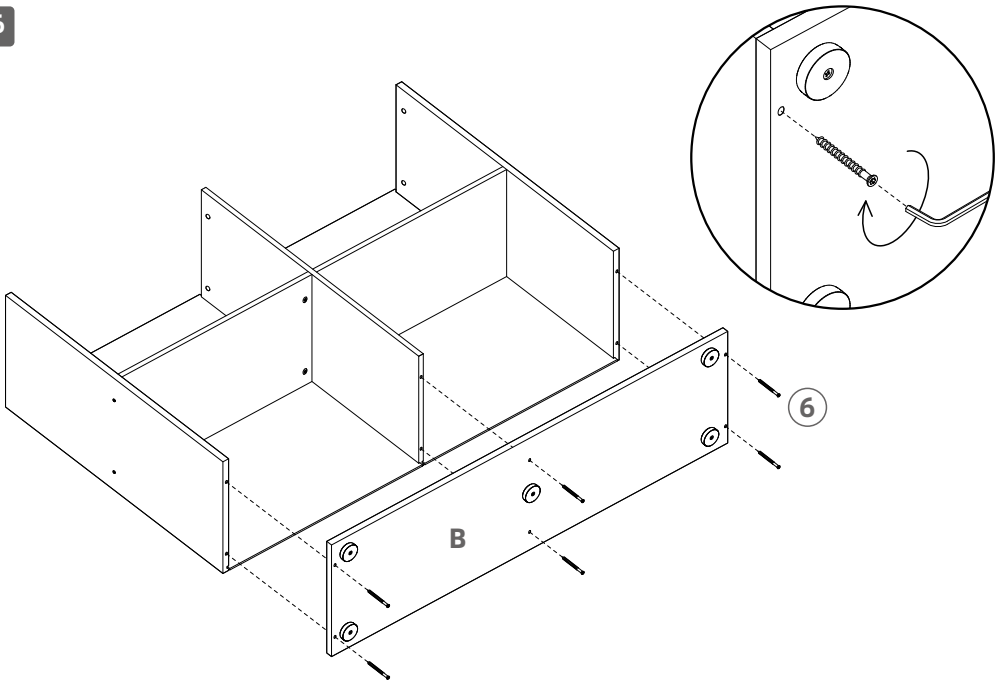


6 × 4

Step 5

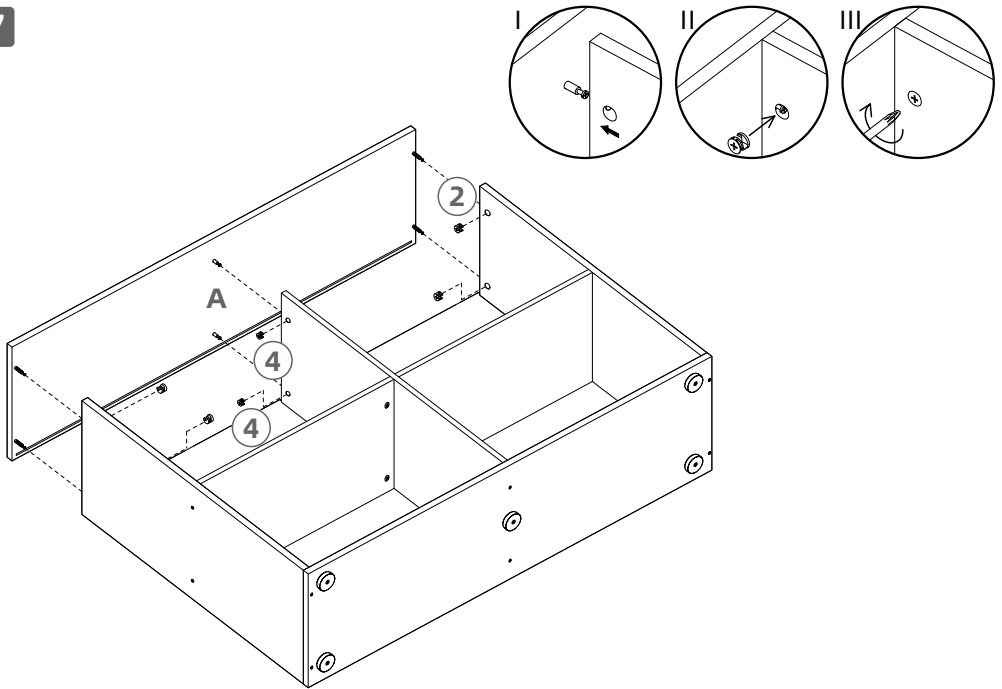


Step 6



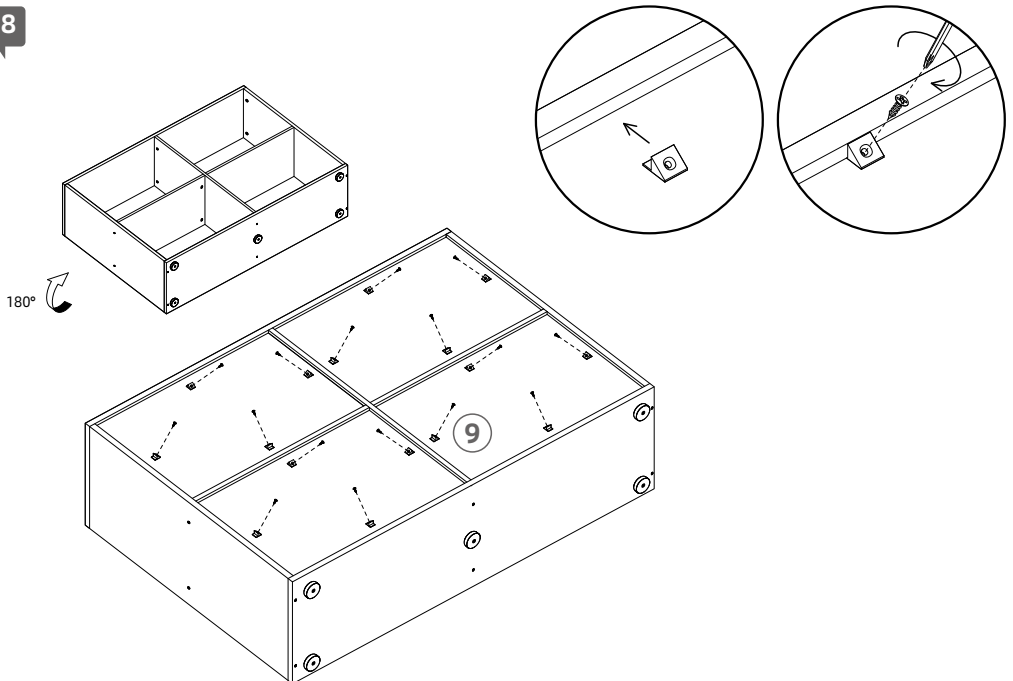
6 × 6

Step 7

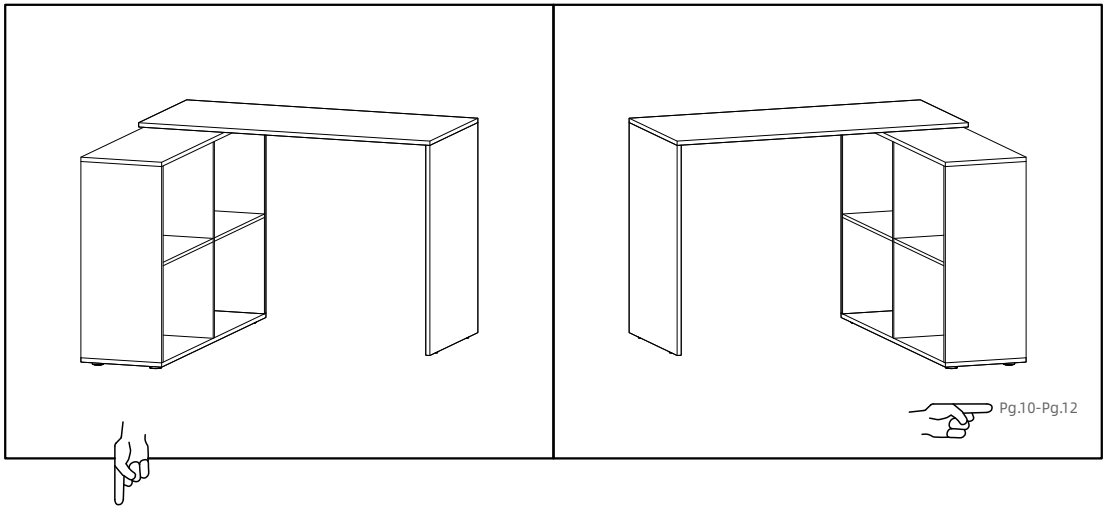


② × 4 / ④ × 2

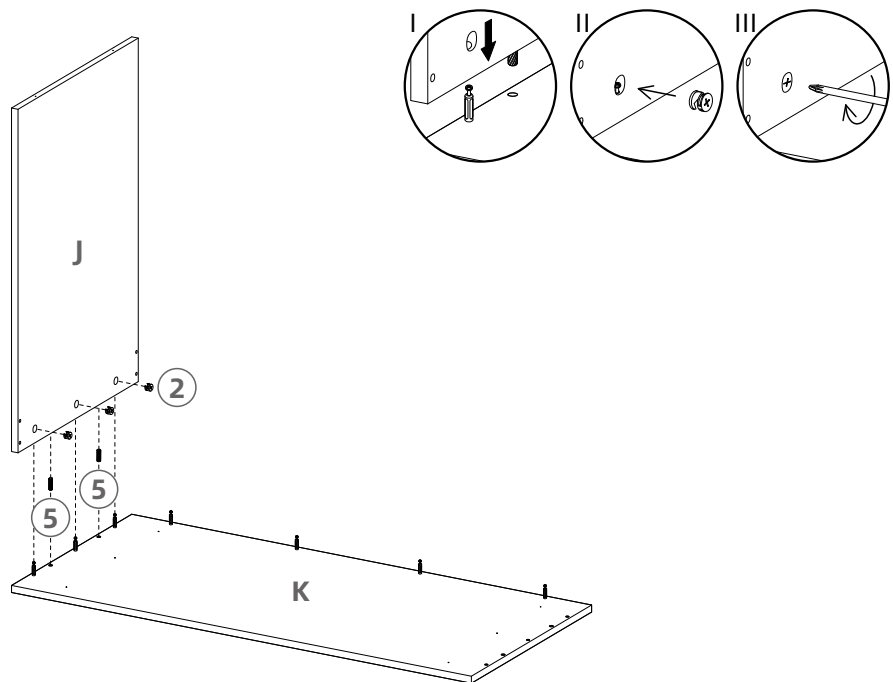
Step 8



⑨ × 16

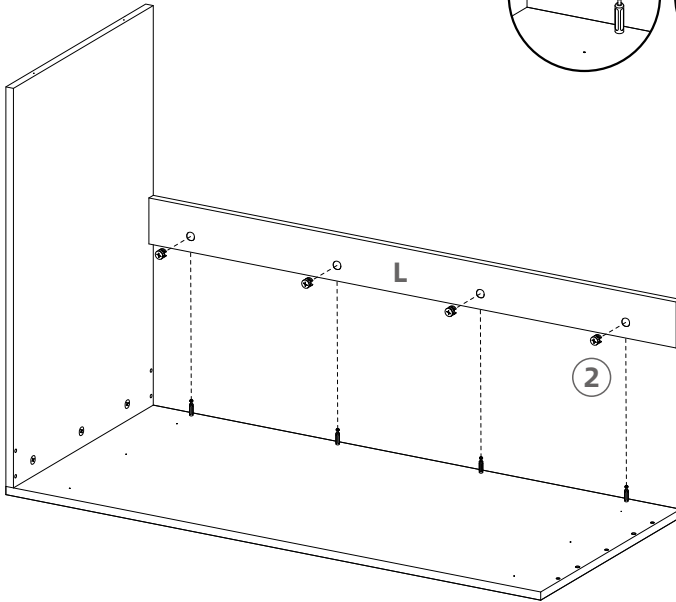
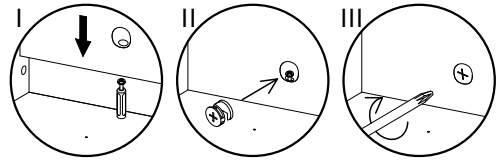


**Step 9**



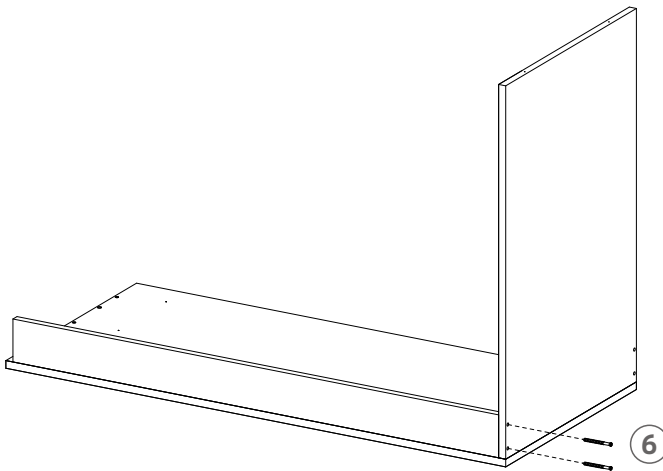
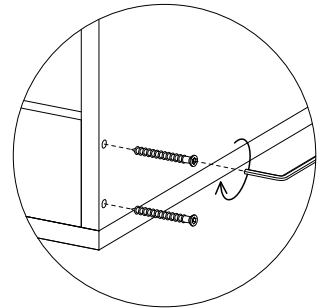
**5** × 2 / **2** × 3

Step 10



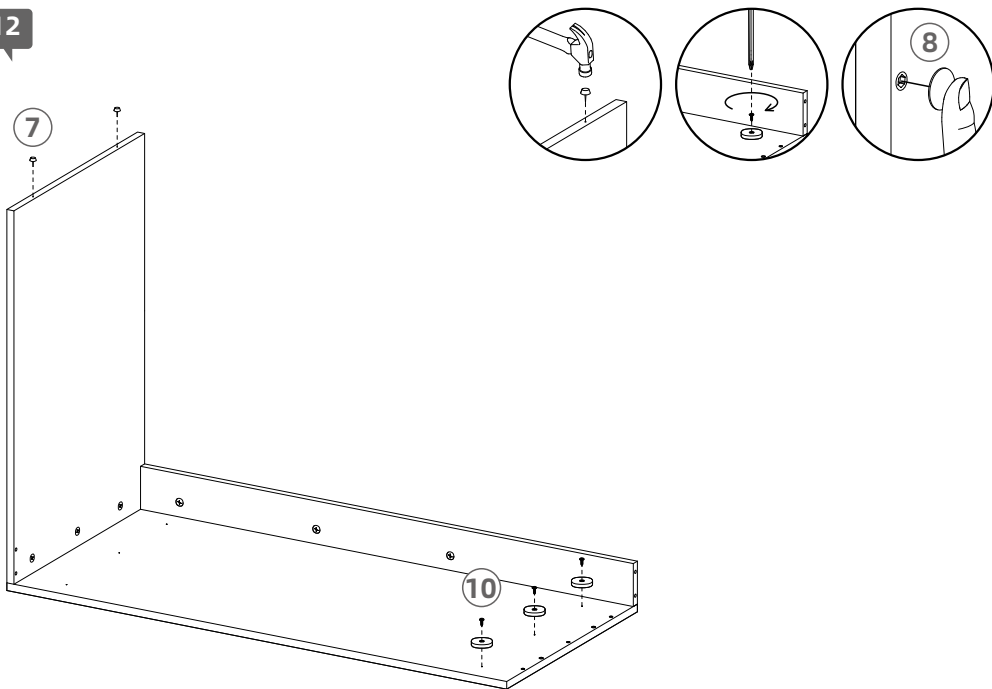
② × 4

Step 11



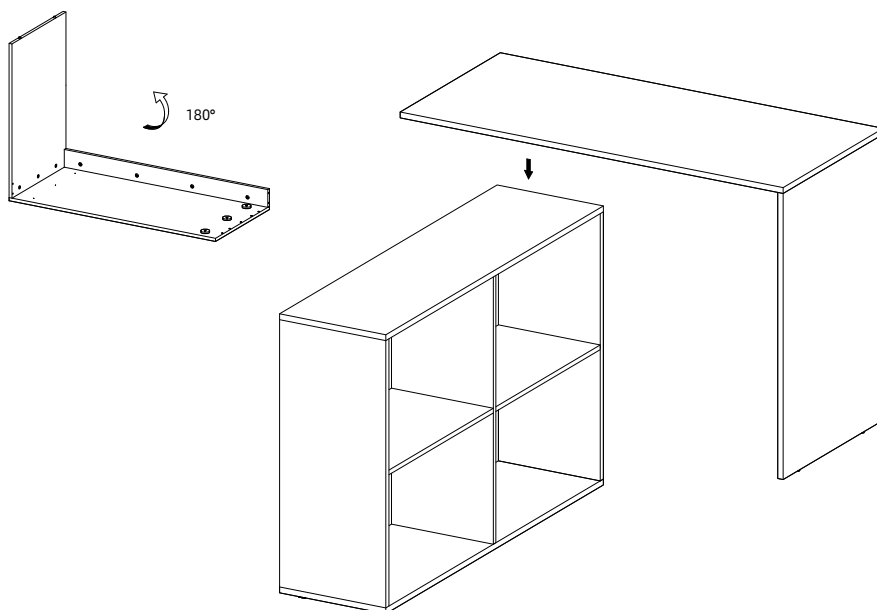
⑥ × 2

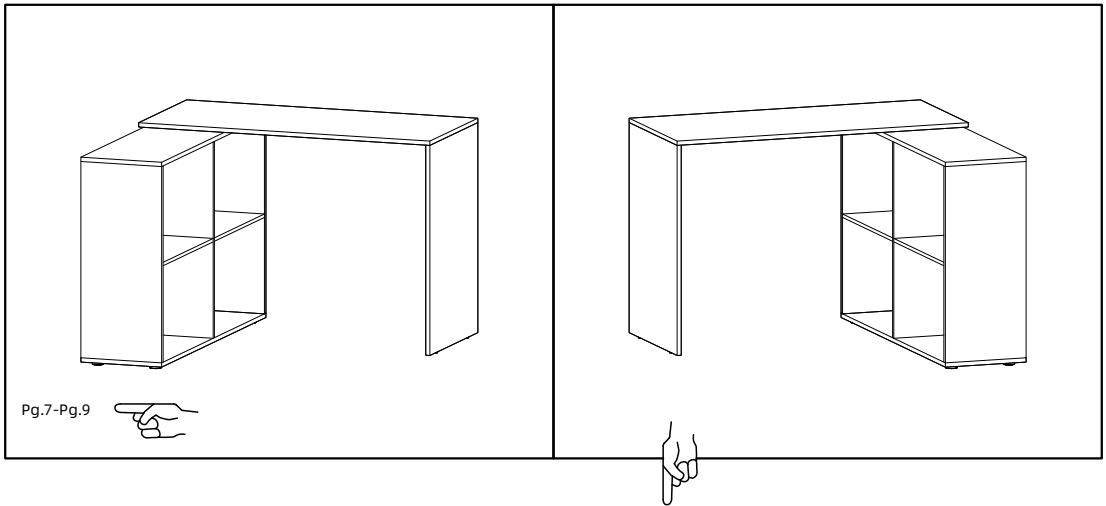
**Step 12**



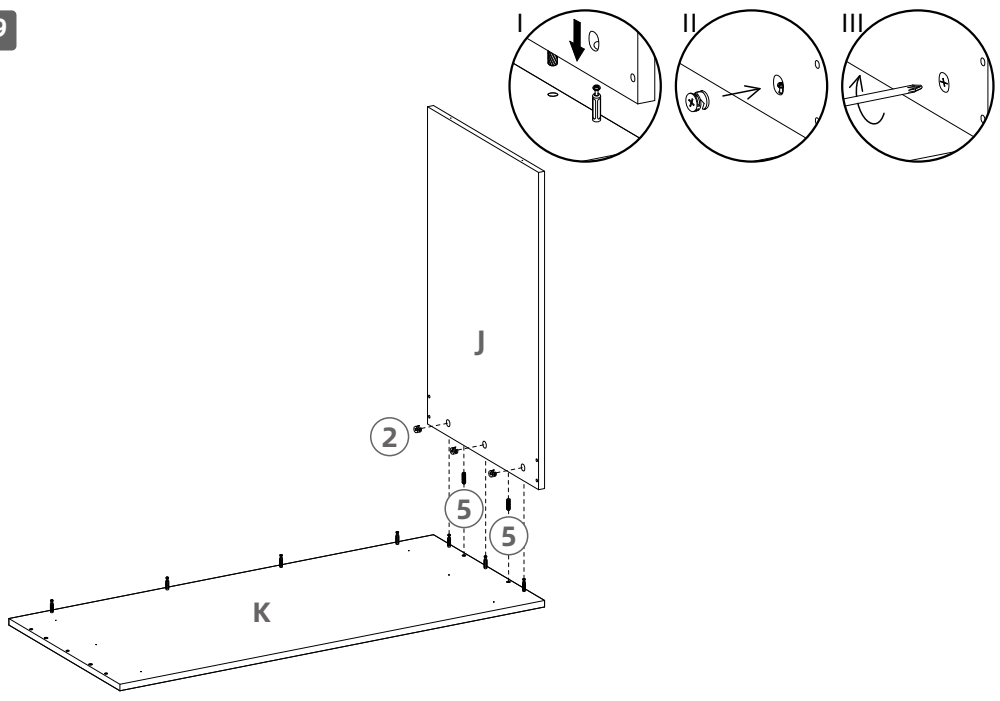
⑦ × 2 / ⑩ × 3 / ⑧ × 23

**Step 13**



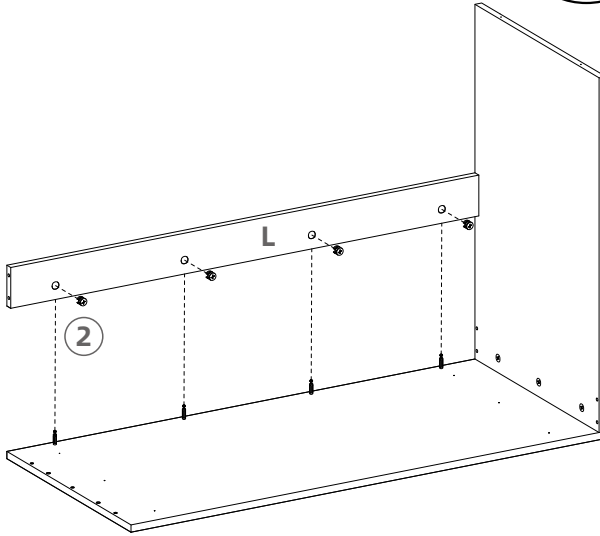
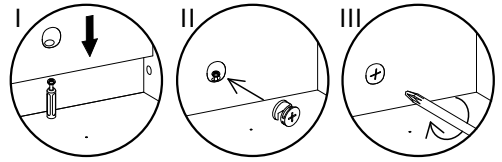


**Step 9**



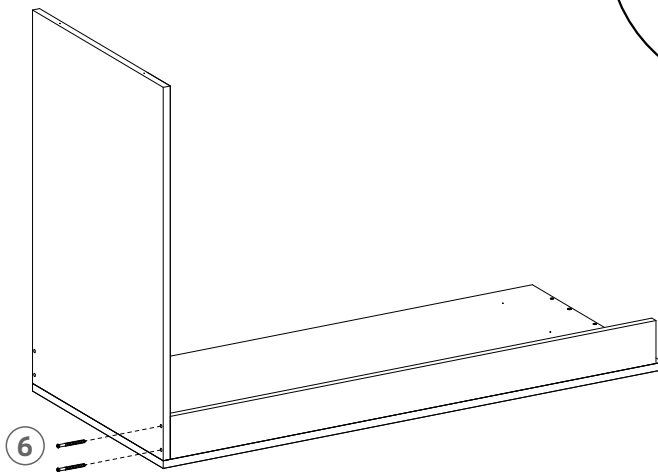
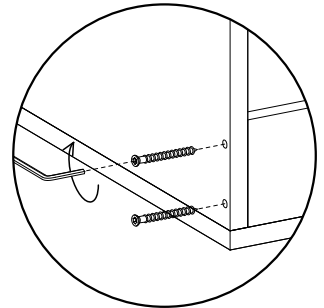
(5) × 2 / (2) × 3

Step 10



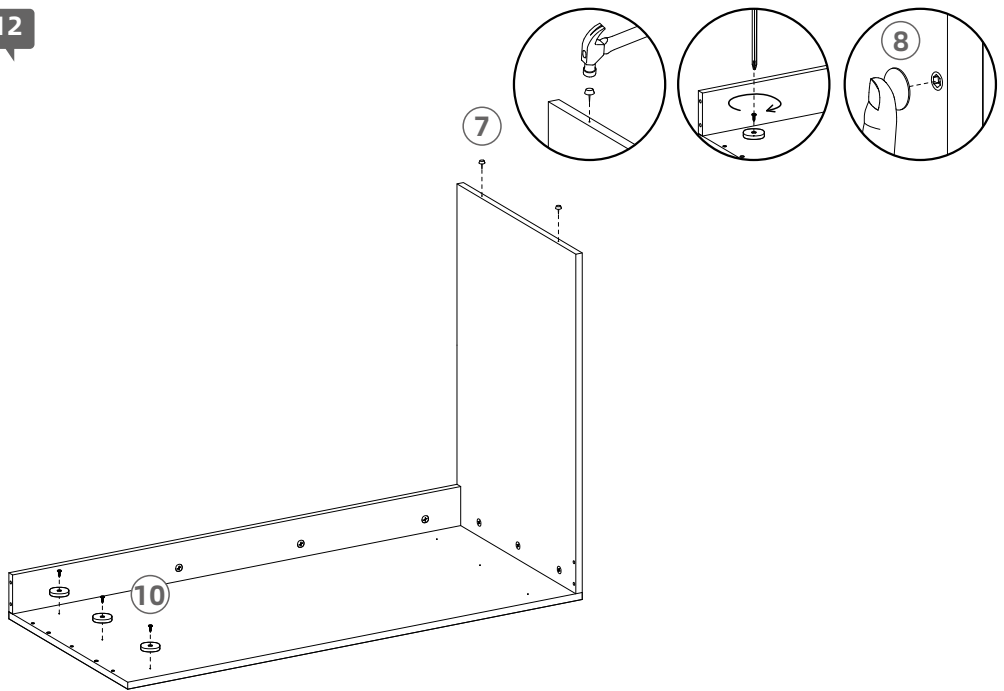
2 x 4

Step 11



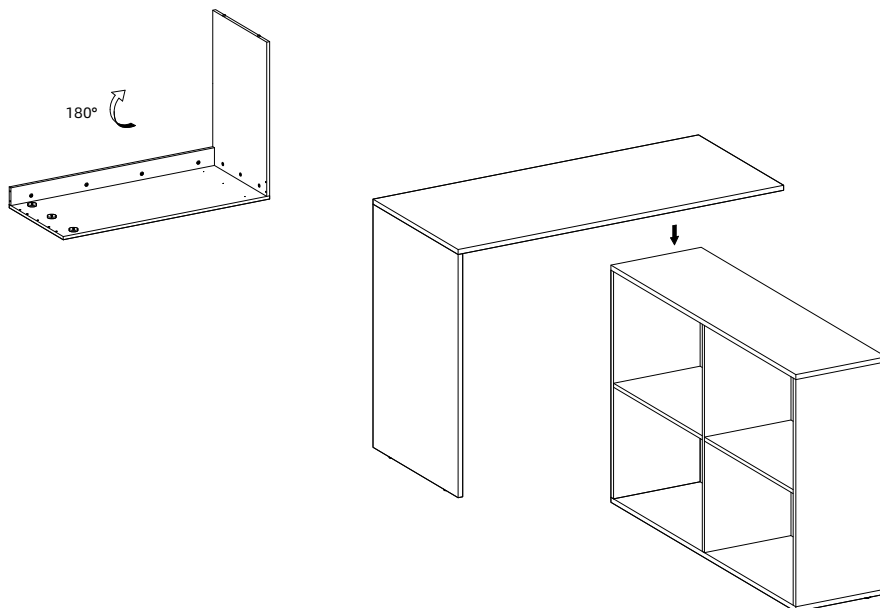
6 x 2

Step 12

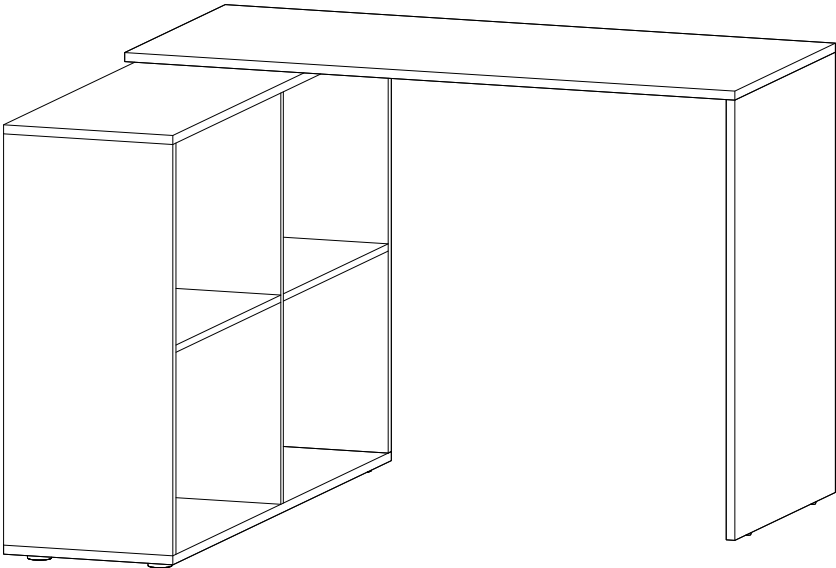


7 × 2 / 10 × 3 / 8 × 23

Step 13

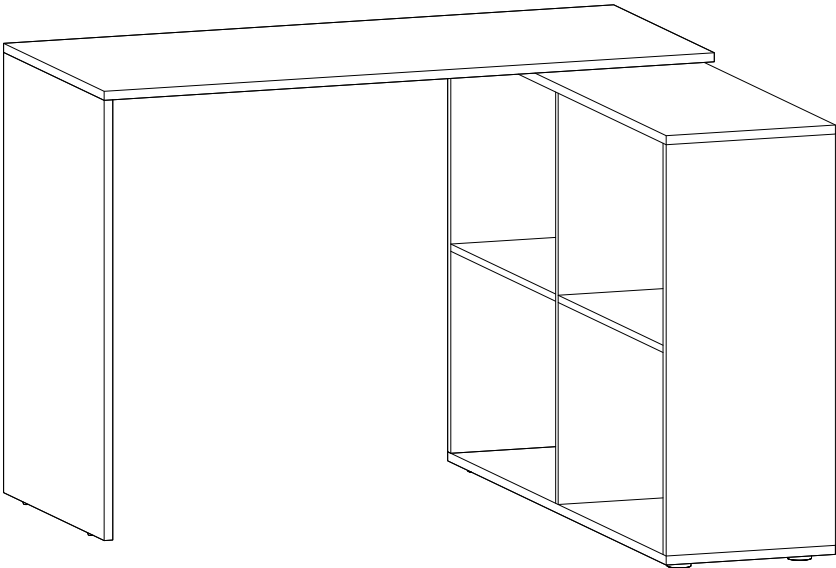


**ASSEMBLY COMPLETE!**



---

**OR**



# NOTICE

---

Don't stand on or use any part of this product as a step ladder.

Firmly secure all bolts, screws and knobs before use.

Reconfirm that all bolts, screws, and knobs are secure every 90 days.

If the outer wood shell covers a screw hole, use a screwdriver to carefully poke through the wood shell to reveal the screw hole.

This product is intended for indoor use only.

No matter which part is missing, broken, damaged, or worn, stop using until it was repaired or replacement part was installed.

Don't use this item in a way inconsistent with the manufacturer's instructions as this could void the product warranty.

# WARNING

---

The manufacturer and the seller disclaim any and all liability for personal injury, property damage or property loss, directly or indirectly resulting from incorrect installation, improper use or inadequate maintenance of this product.

Der Hersteller und der Verkäufer lehnen jegliche Haftung für Personen-, Sach- oder Vermögensschäden ab, die direkt oder indirekt auf eine falsche Installation, einen unsachgemäßen Gebrauch oder eine unzureichende Wartung dieses Produkts zurückzuführen sind.

Le fabricant et le vendeur déclinent toute responsabilité en cas de blessure corporelle, de dommage matériel ou de perte de propriété, résultant directement ou indirectement d'une installation incorrecte, d'une utilisation incorrecte ou d'un entretien inappropriée de ce produit.

