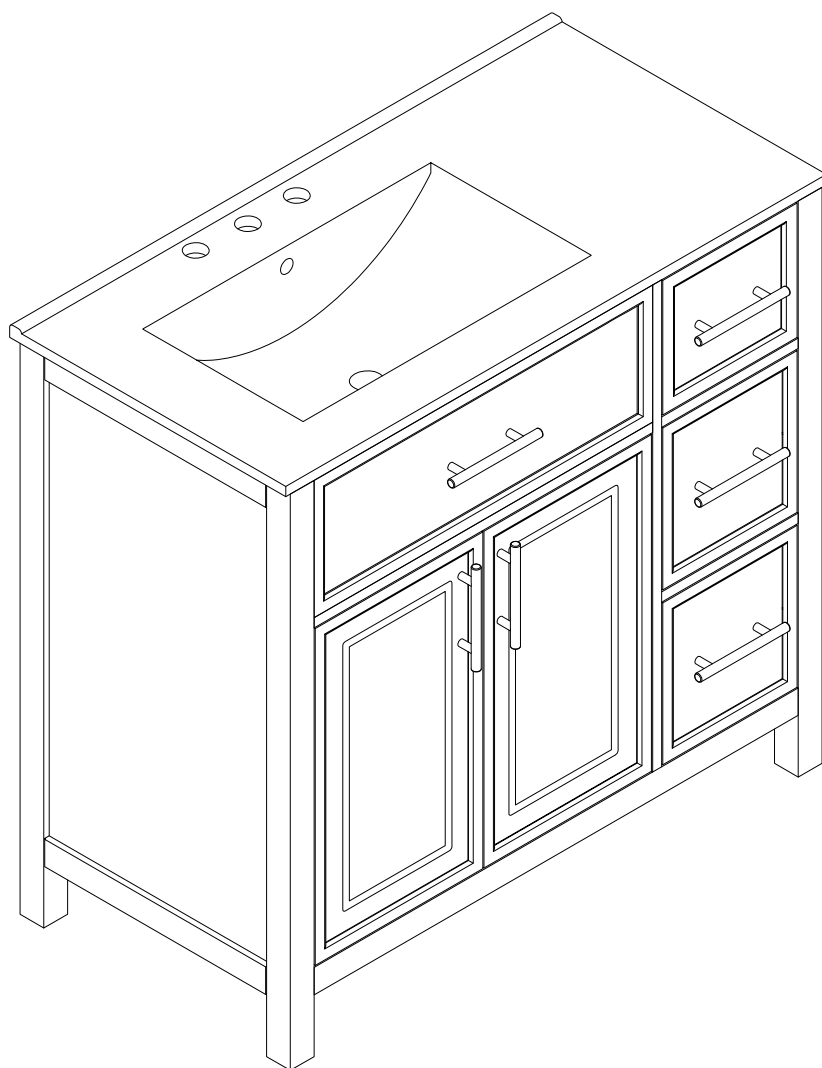
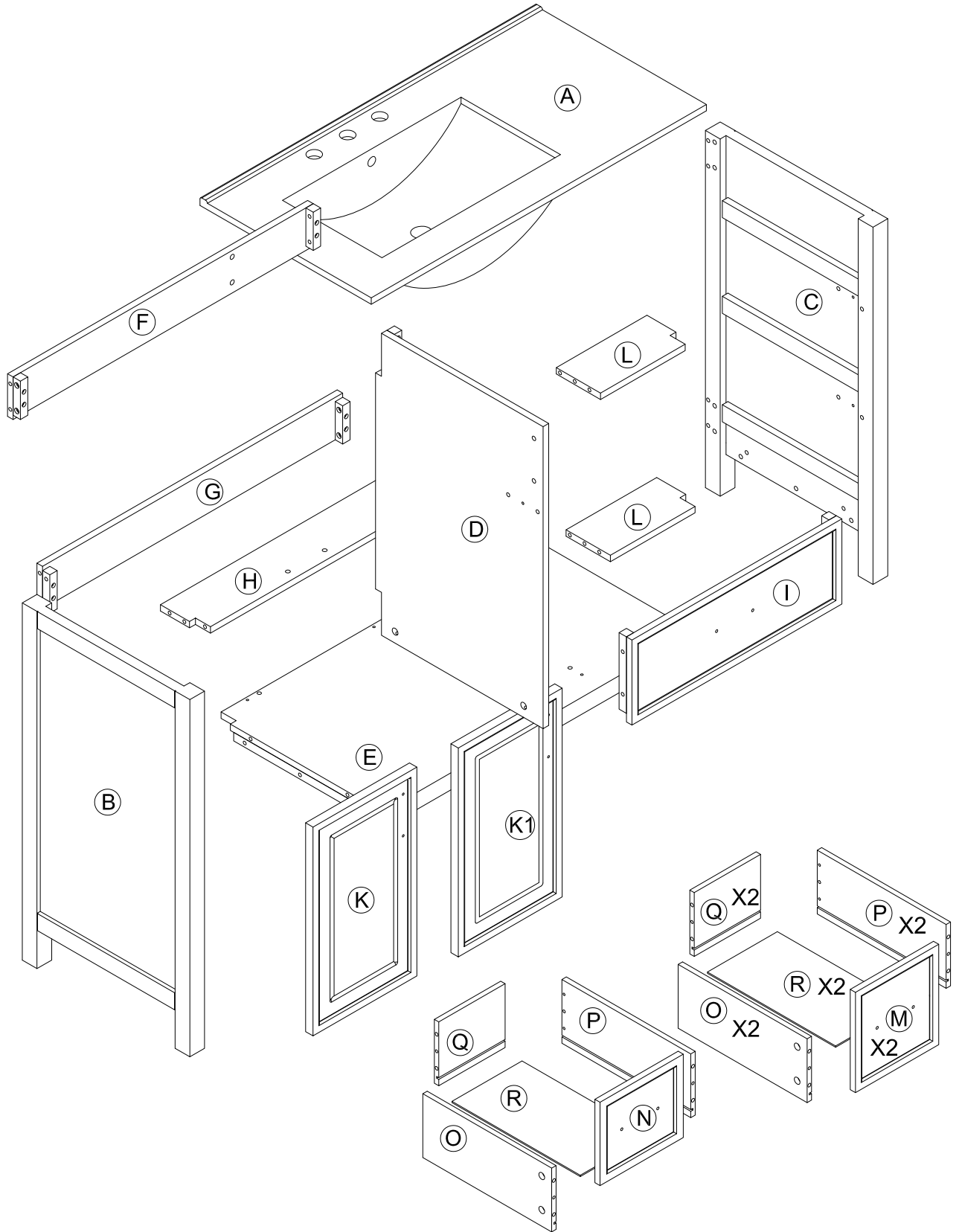


Installation & Assembly

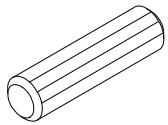
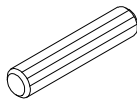
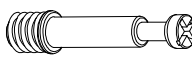
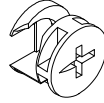
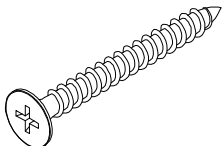
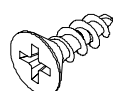
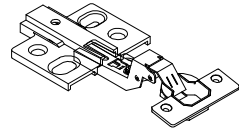
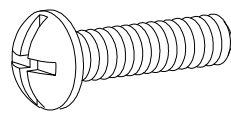
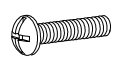
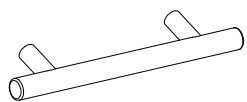
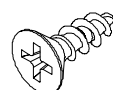
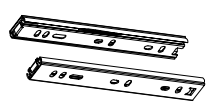




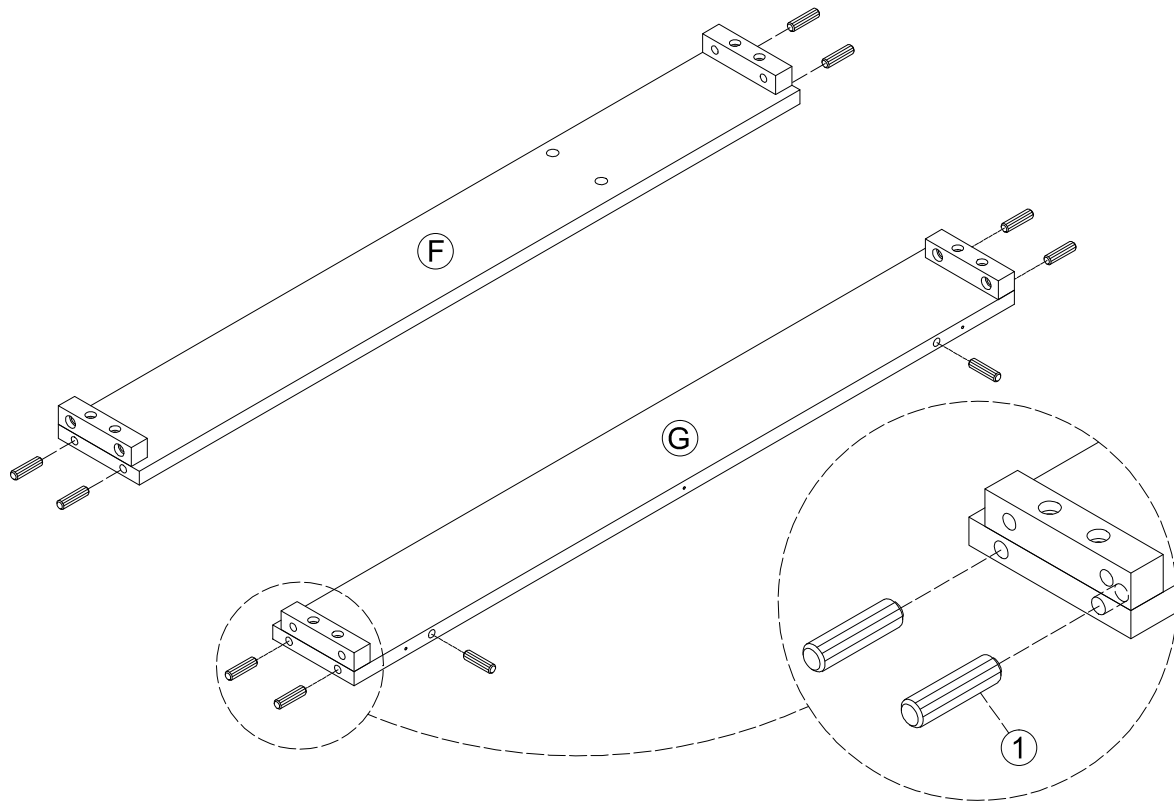
PACKAGE CONTENTS


PART	DESCRIPTION	QTY	PART	DESCRIPTION	QTY
A	Sink	X1	K	Left Door	X1
B	Left Side Board	X1	K1	Right Door	X1
C	Right Side Board	X1	L	Front Right Panel	X2
D	Middle Panel	X1	M	Drawer Front Lower Panel	X2
E	Bottom Board	X1	N	Drawer Front Upper Panel	X1
F	Back Upper Rail	X1	O	Drawer Left Panel	X3
G	Back lower Rail	X1	P	Drawer Right Panel	X3
H	Front Left Panel	X1	Q	Drawer Back Panel	X3
I	Front Board		R	Drawer Bottom Panel	X3

HARDWARE CONTENTS

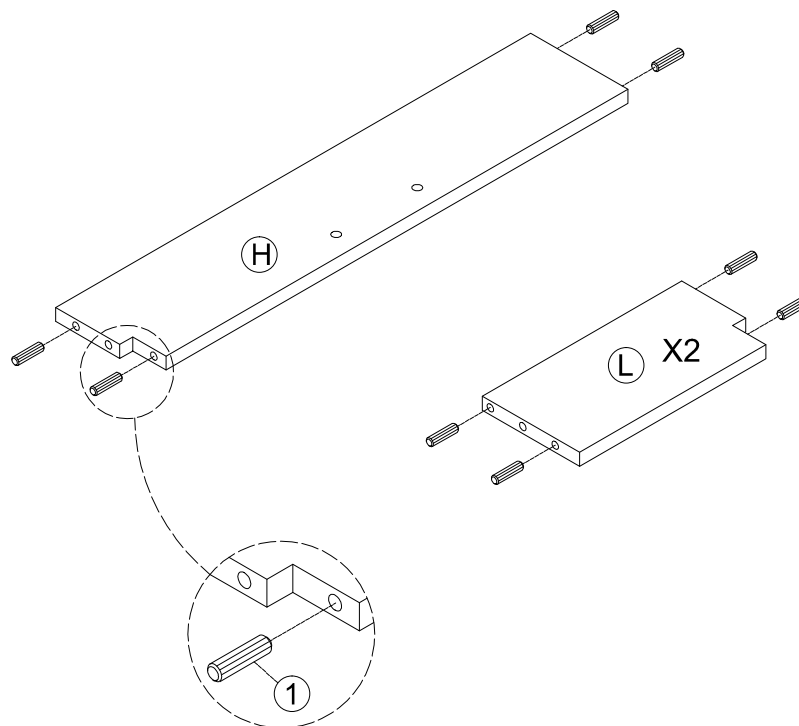
1	2	3	4
			
Ø8*30mm 28+2PCS	Ø6*30mm 12+1PCS	Ø6*33mm 30+2PCS	Ø15*9mm 30+2PCS
5	6	7	8
			
Ø4*25mm 6PCS	D7*Ø3.5*12mm 24+2PCS	4PCS	1/4"*25mm 22+2PCS
9	10	11	12
			
5/32"*18mm 12+1PCS	6PCS	Ø3*10mm 36+2PCS	14"x35mm 3Set


STEP 1



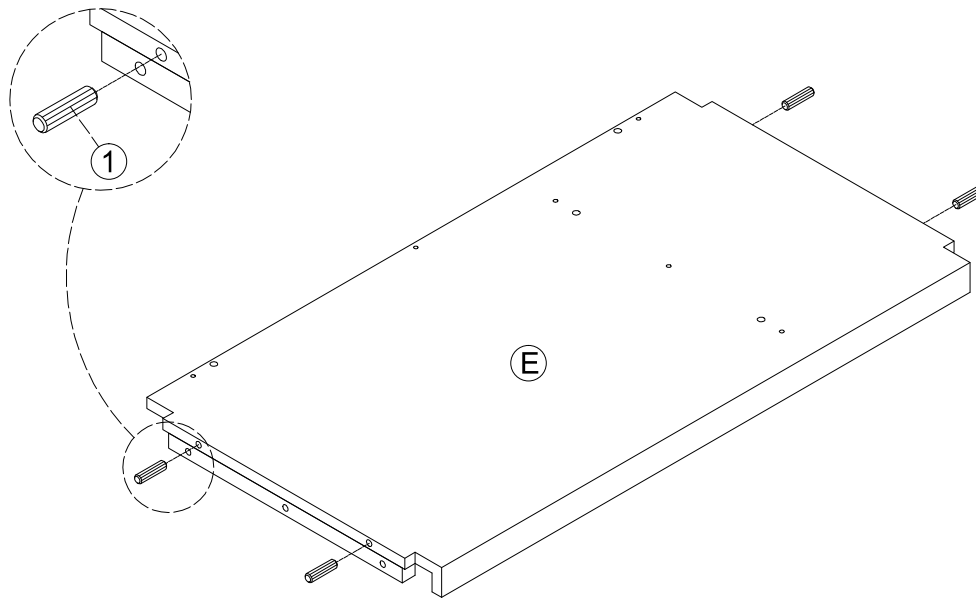
	1 x 10pcs
---	-----------

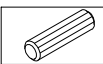
STEP 2



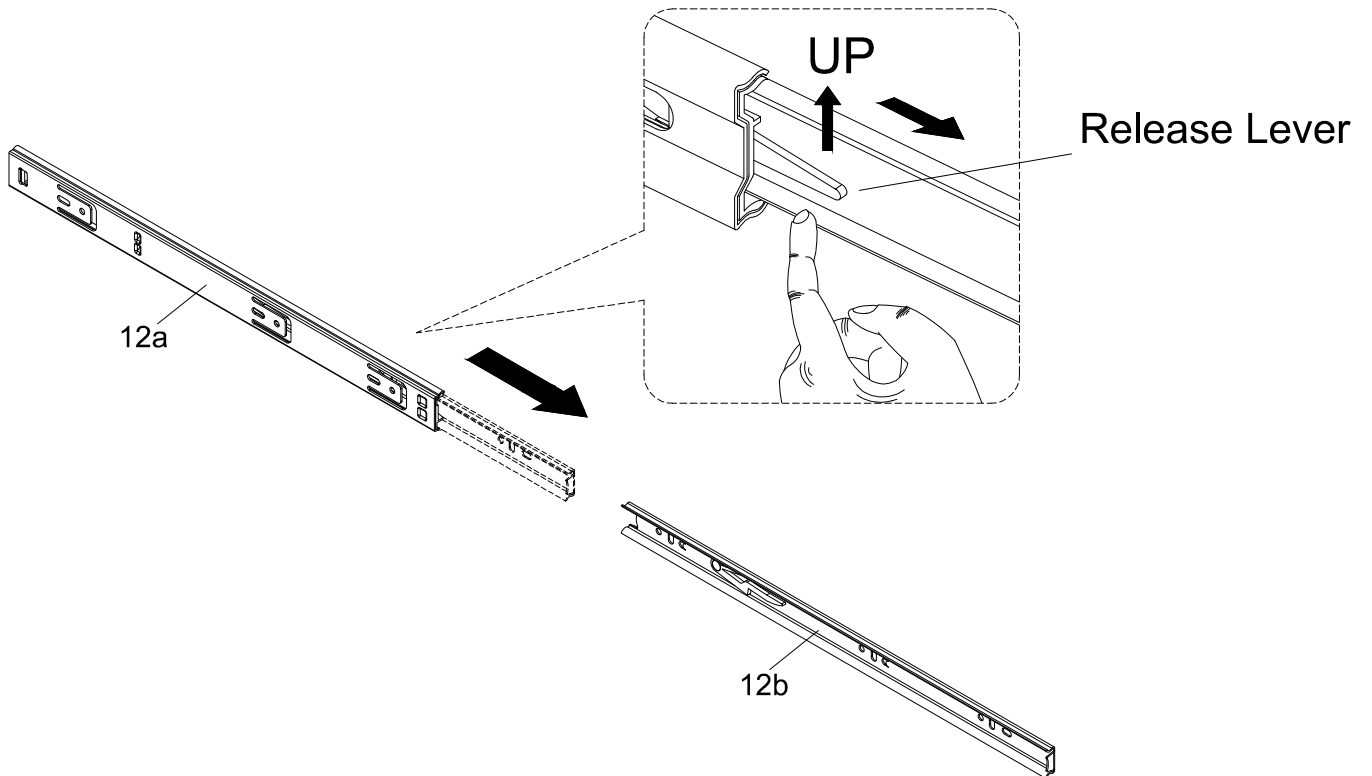
	1 x 12pcs
---	-----------


STEP 3



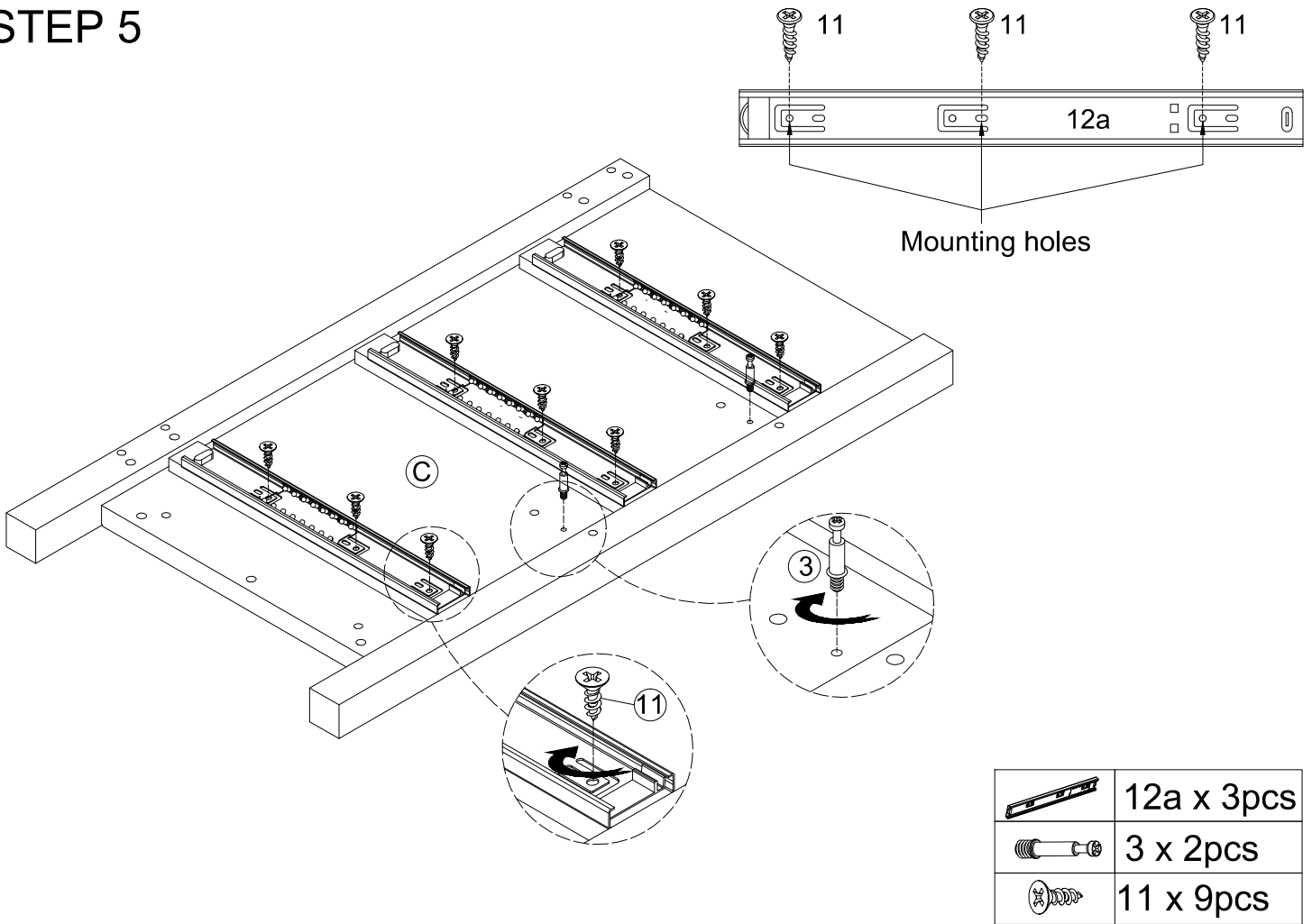
 1 x 4pcs

STEP 4

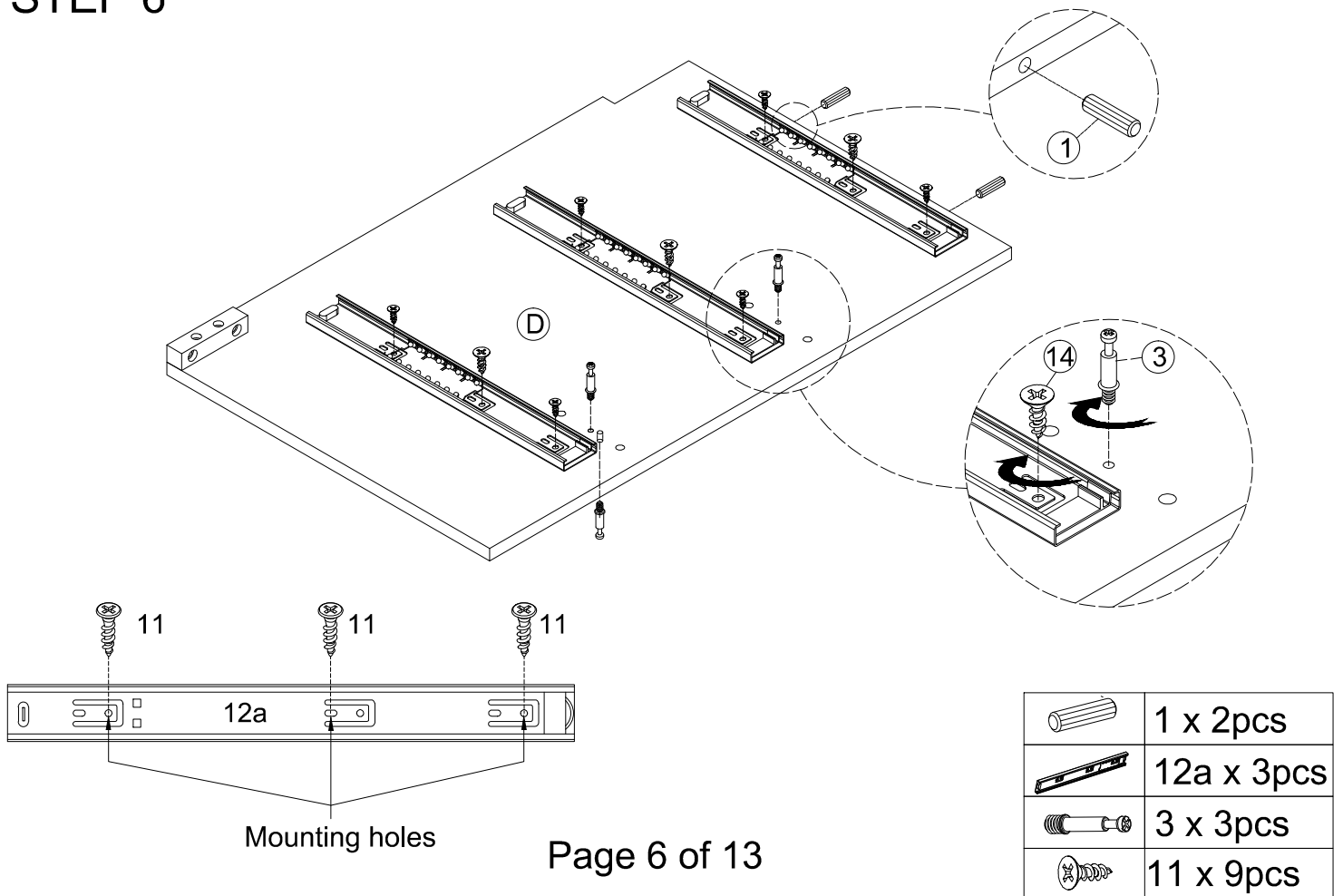


 12 x 3Set

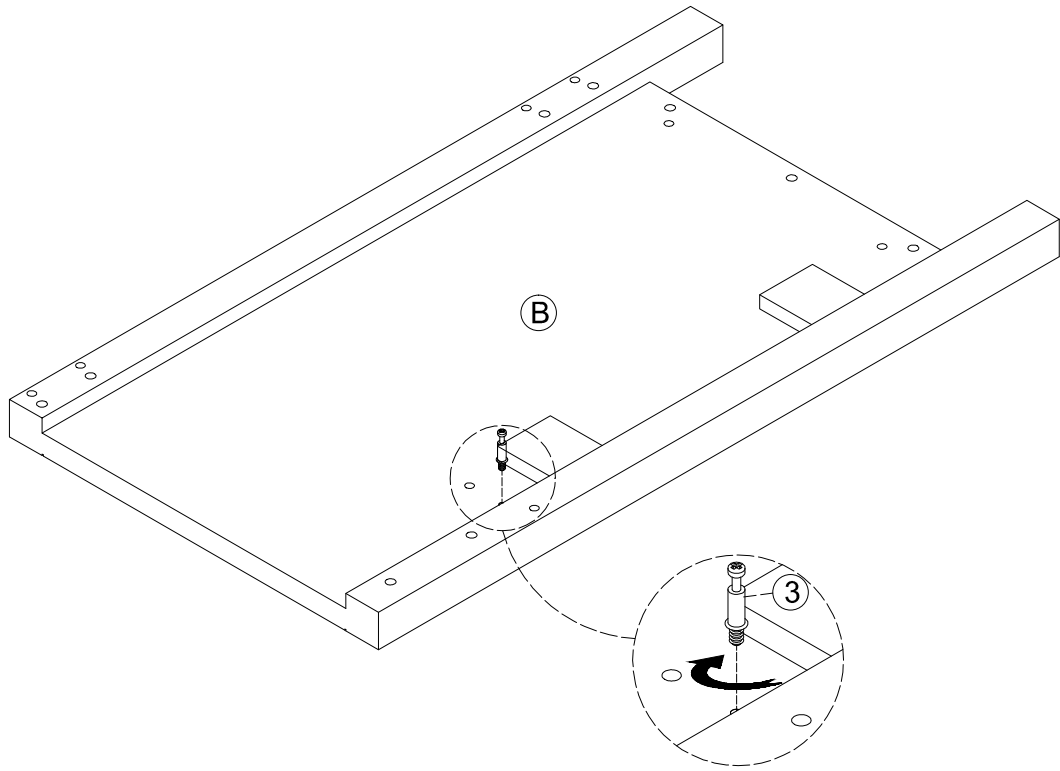
STEP 5




STEP 6

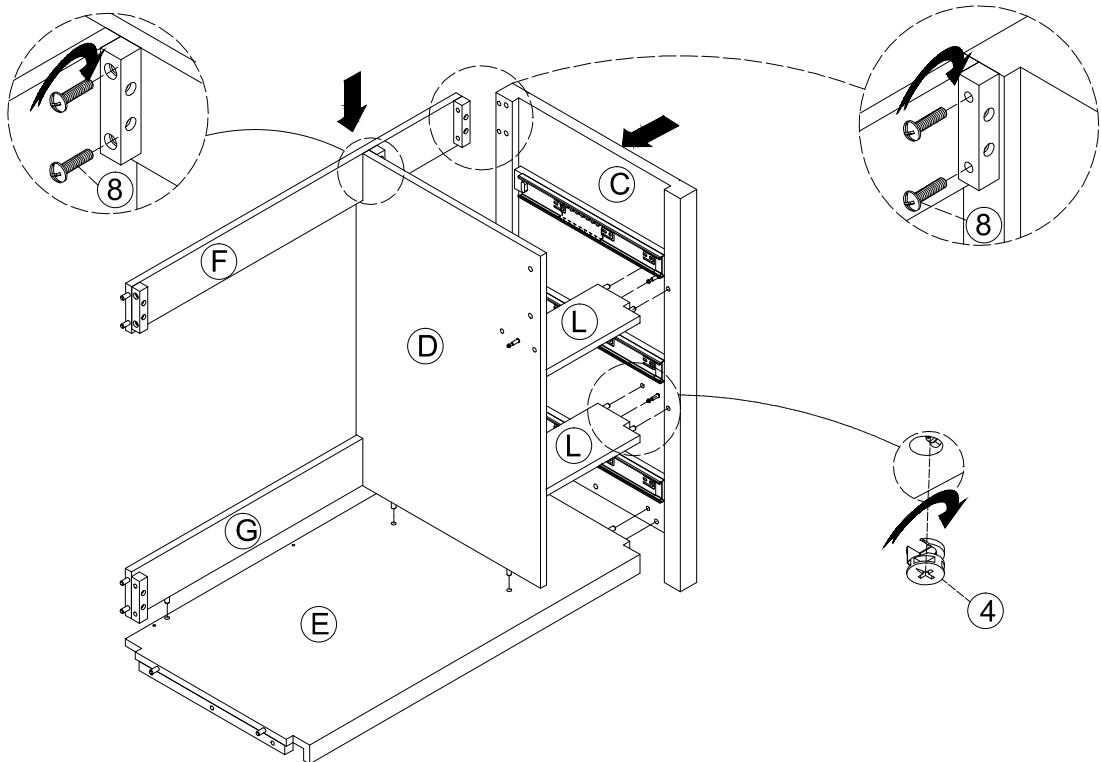




STEP 7



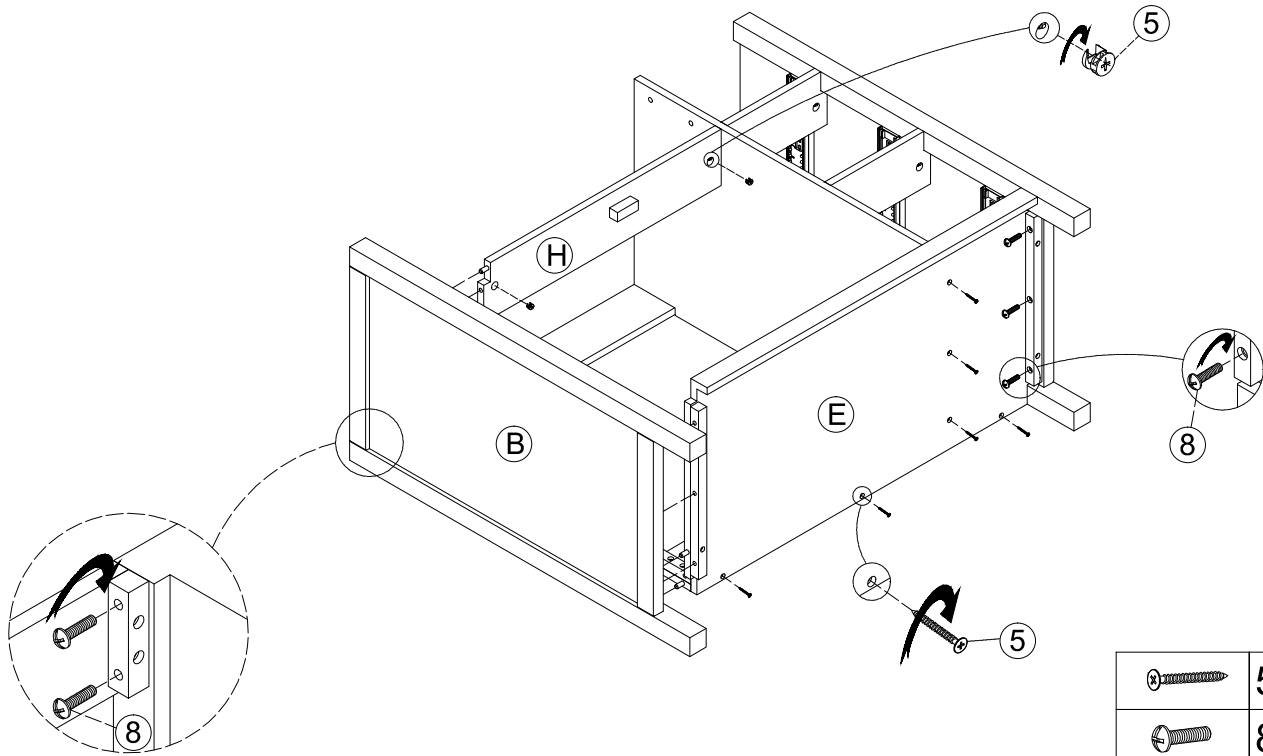
	3 x 1pc
---	---------




STEP 8



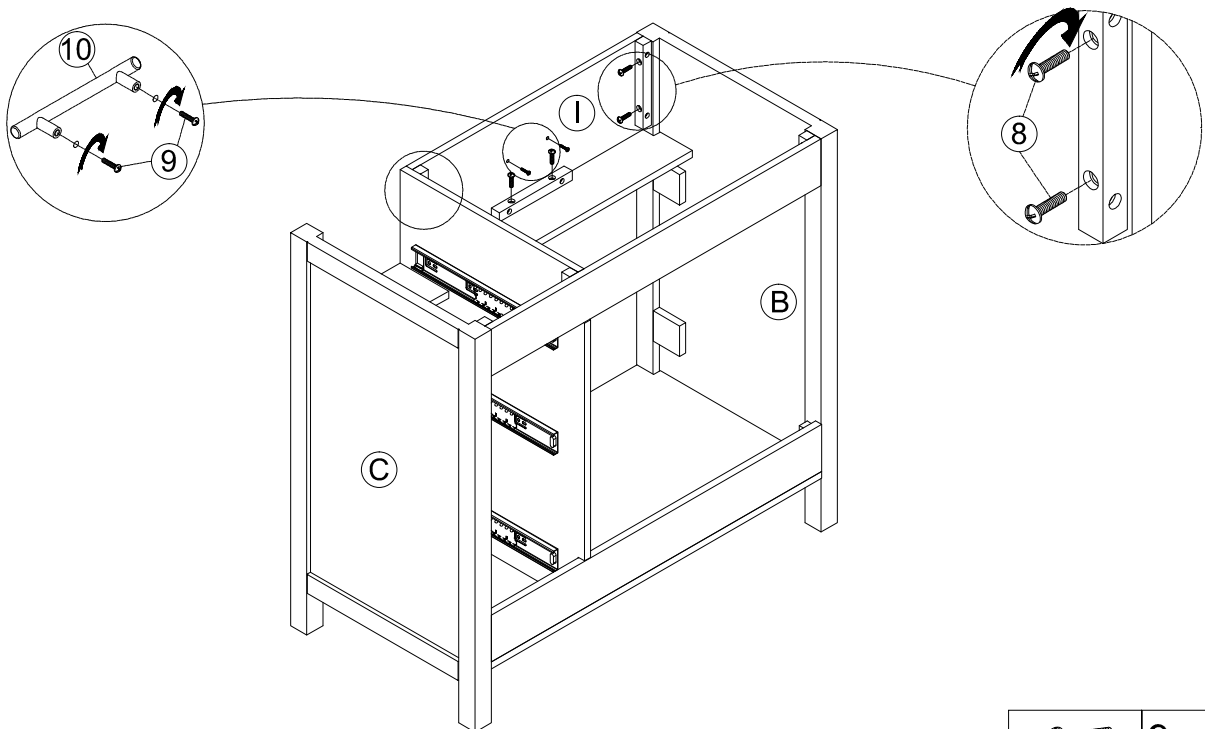
	8 x 6pcs
	4 x 4pcs




STEP 9



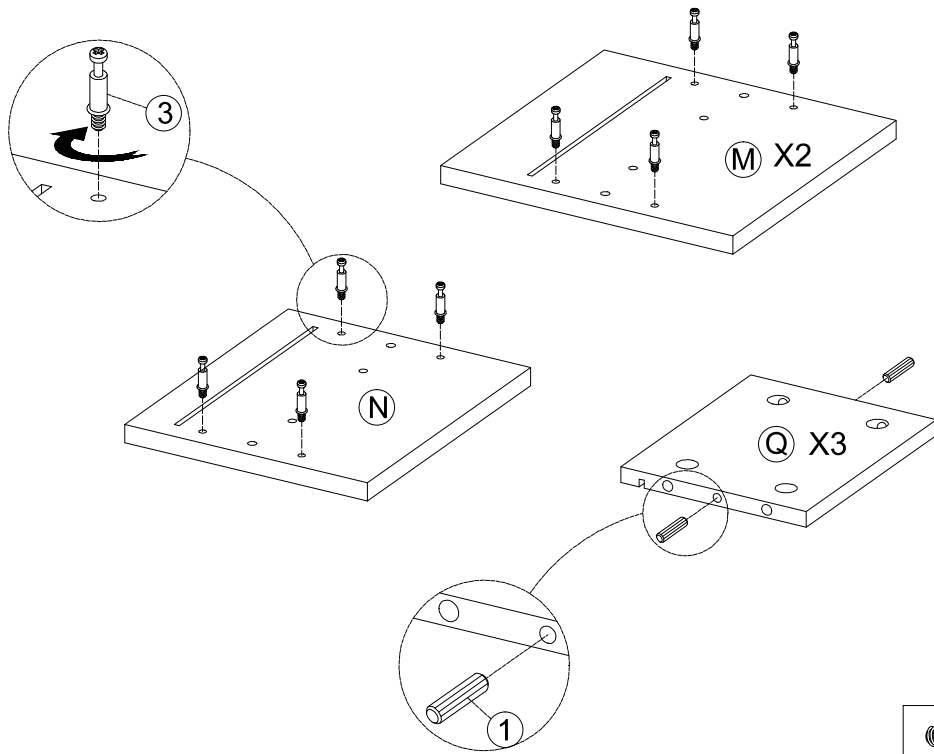
	5 x 6pcs
	8 x 10pcs
	4 x 2pcs

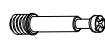
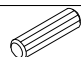
STEP 10



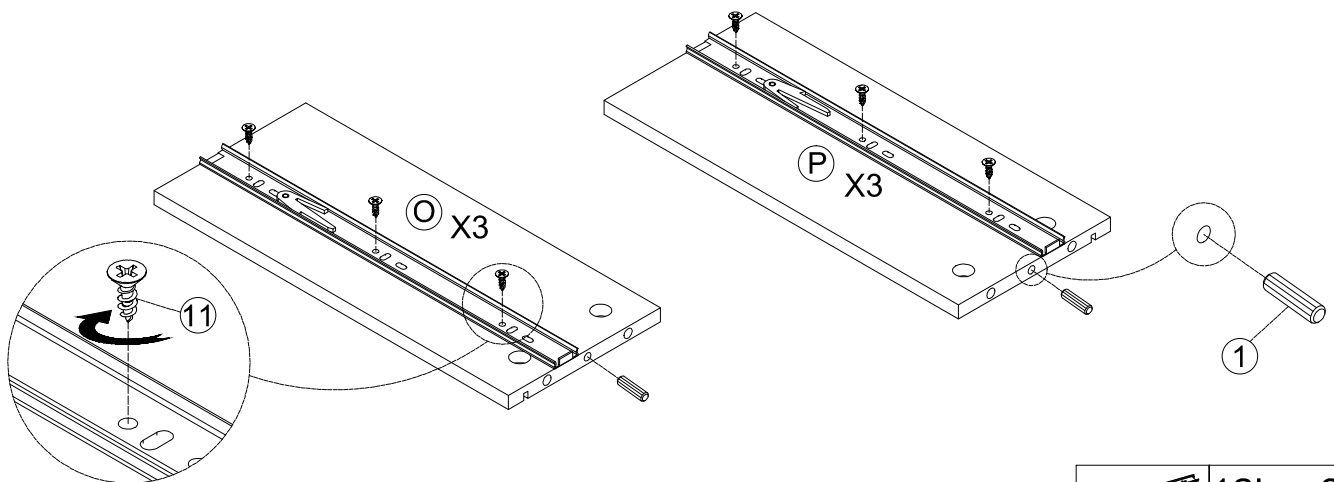
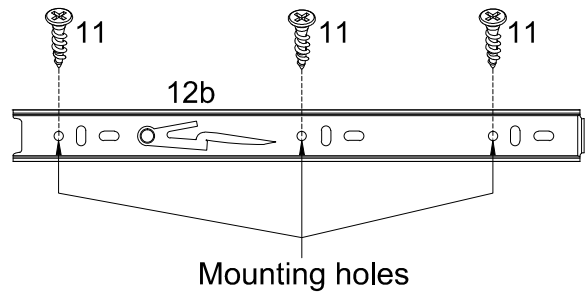
	9 x 2pcs
	10 x 1pc
	8 x 6pcs




STEP 11



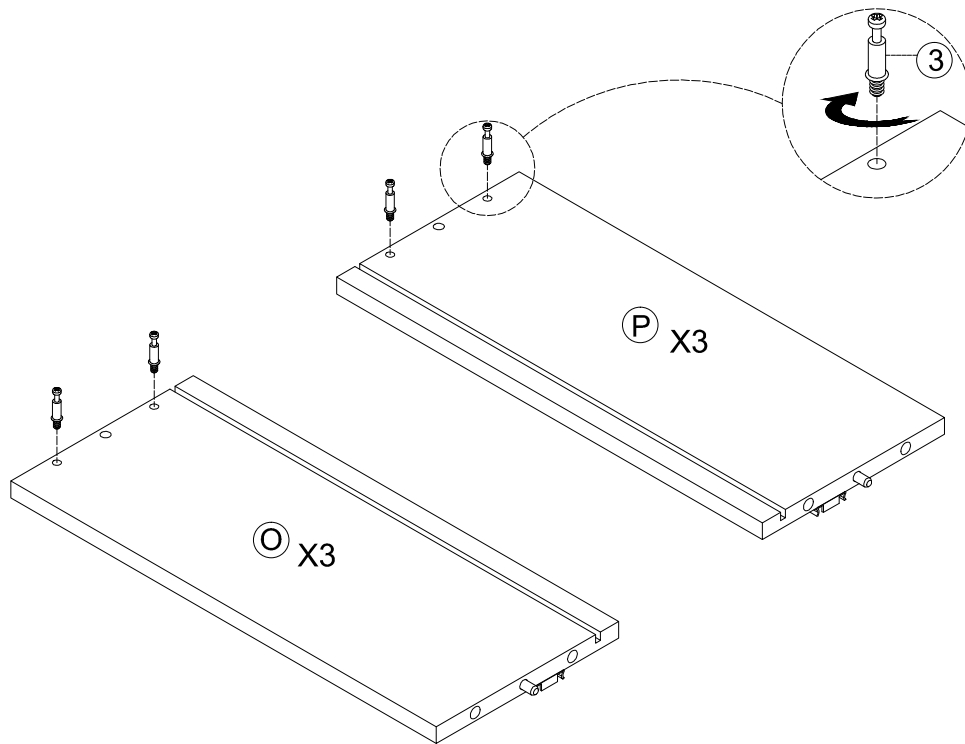
	3 x 12pcs
	2 x 6pcs

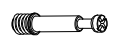
STEP 12



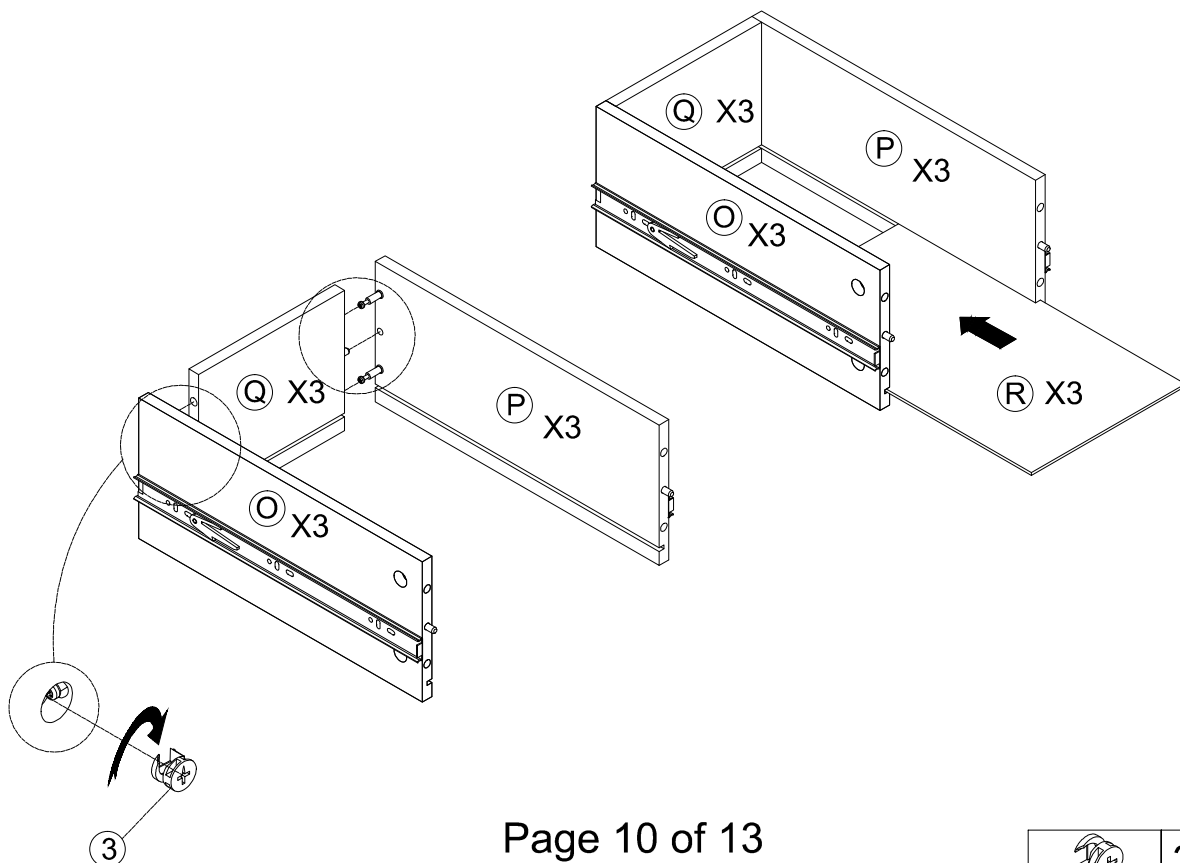
	12b x 6pcs
	11 x 18pcs
	2 x 6pcs


STEP 13



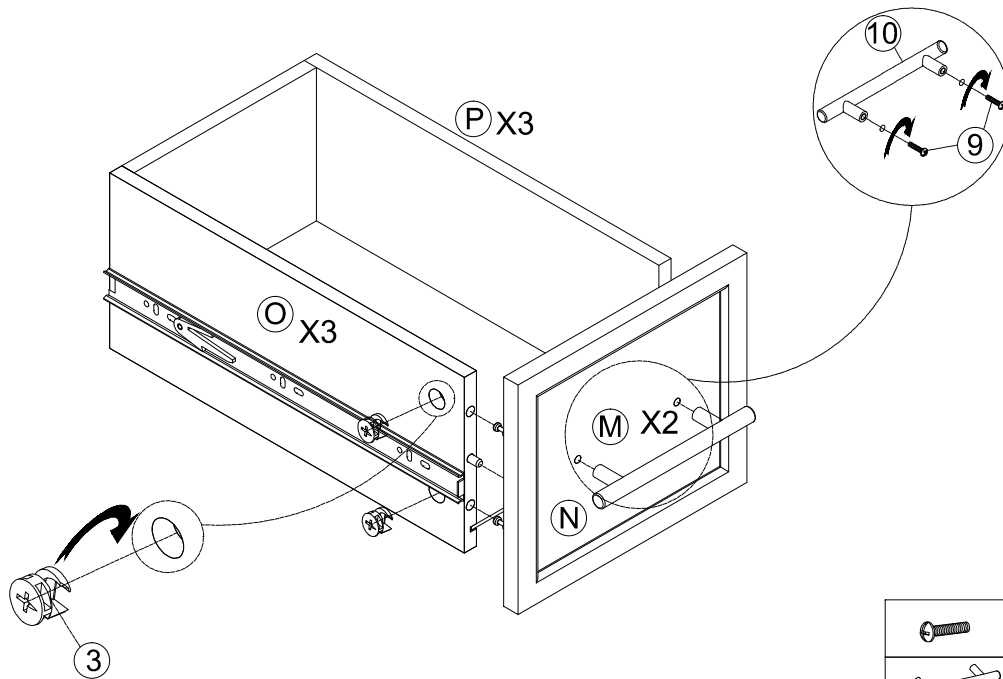
 3 x 12pcs


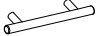

STEP 14



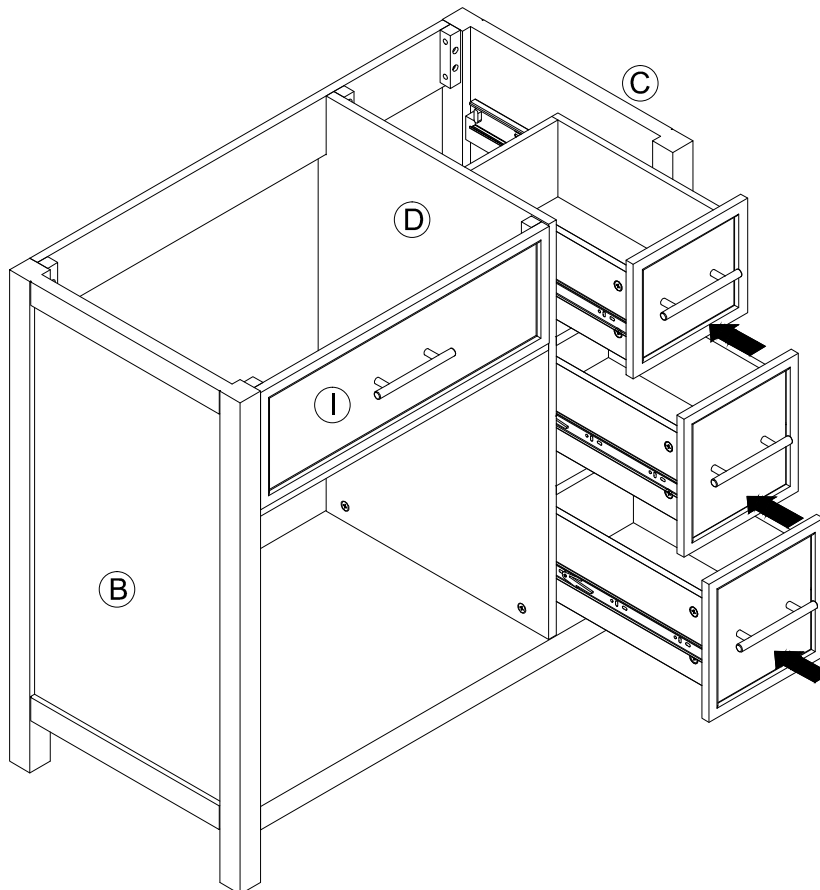
 3 x 12pcs

STEP 15

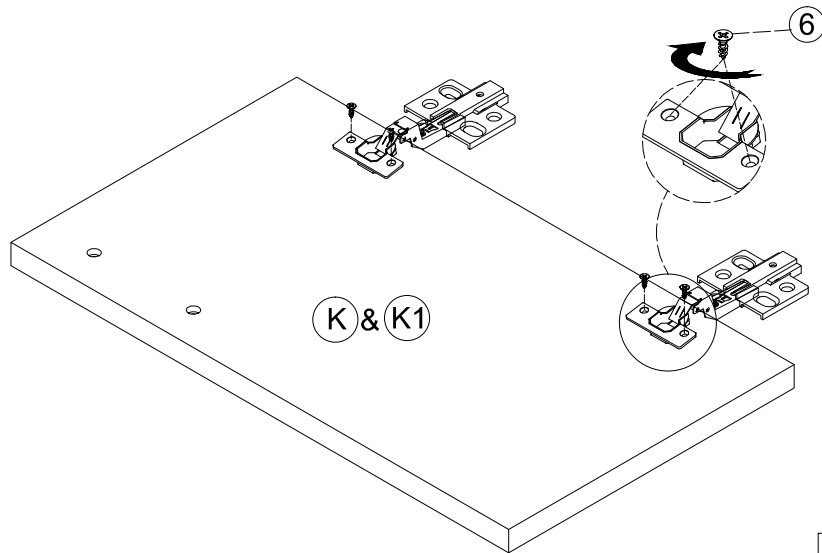




	9 x 6pcs
	10 x 3pc
	3 x 12pcs

STEP 16



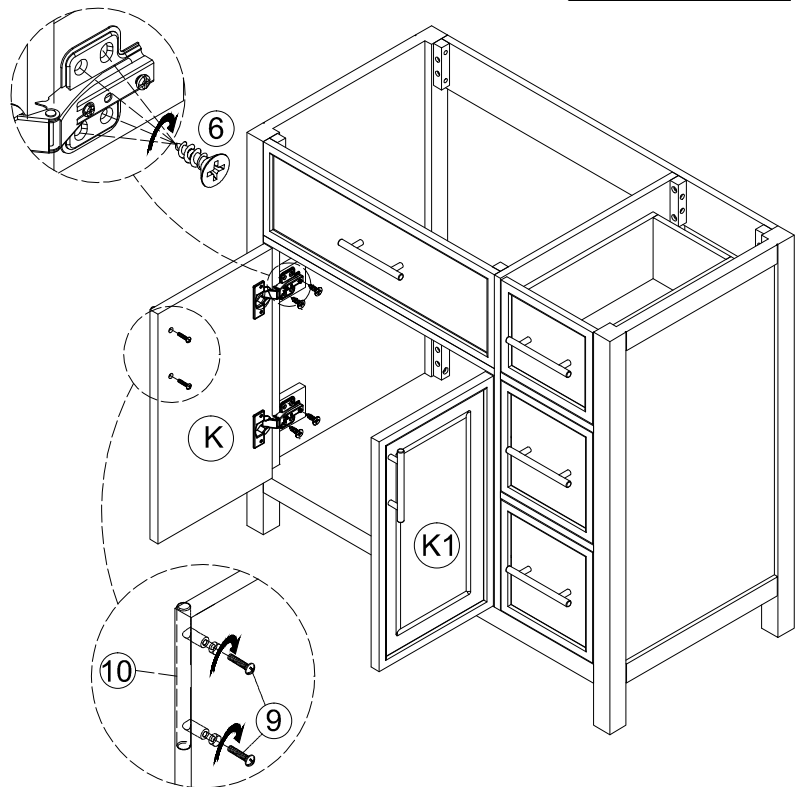
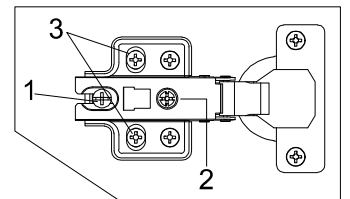
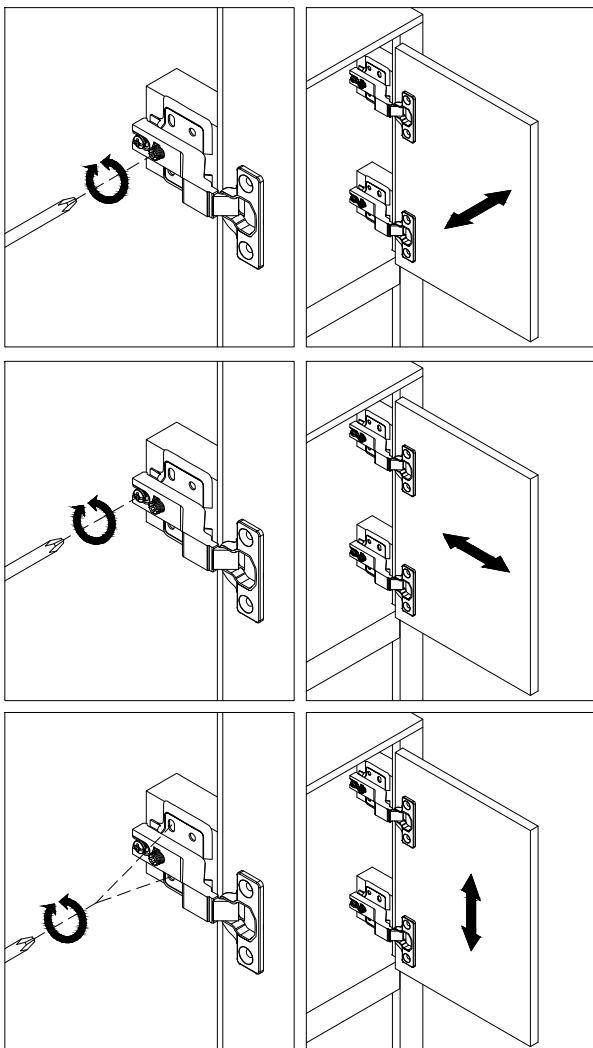
STEP 17


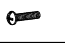
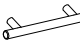


	7 x 4pcs
	6 x 8pcs

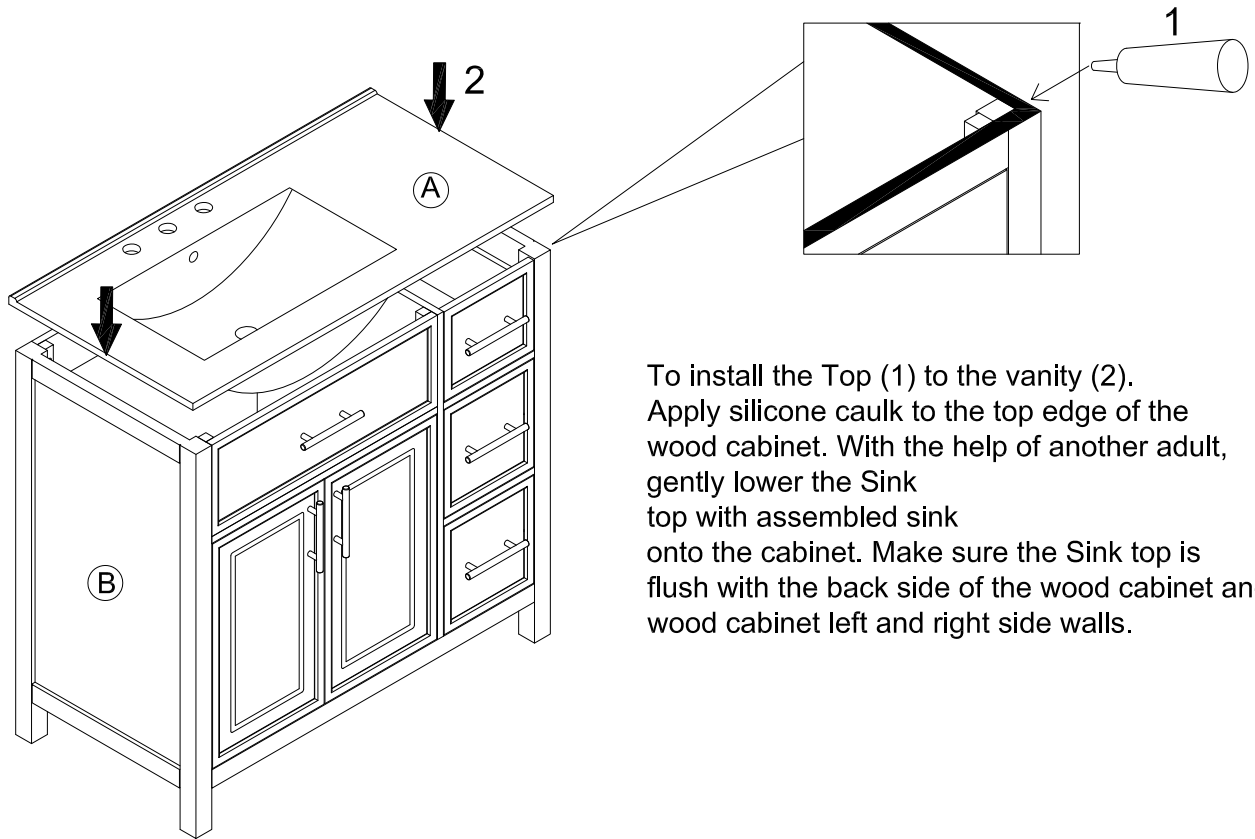
STEP 18

Three-way adjustable hinge for perfectly aligned doors
 1. TO ADJUST DOOR FORWARD OR BACKWARD.
 2. TO ADJUST DOOR TO RIGHT OR TO LEFT.
 3. TO ADJUST DOOR UP OR DOWN.



	6 x 16pcs
	9 x 4pcs
	10 x 2pcs

STEP 19



To install the Top (1) to the vanity (2). Apply silicone caulk to the top edge of the wood cabinet. With the help of another adult, gently lower the Sink top with assembled sink onto the cabinet. Make sure the Sink top is flush with the back side of the wood cabinet and the wood cabinet left and right side walls.

STEP 20

