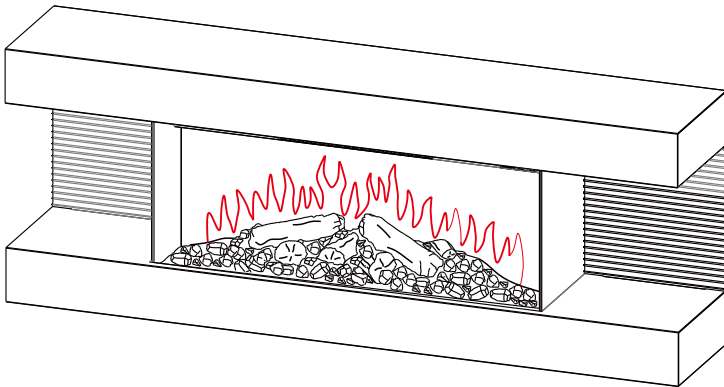






WALL MOUNT ELECTRIC FIREPLACE

MODEL: EF463B/EF464B

OWNER'S MANUAL



 WARNING	Read and understand this entire owner's manual, including all safety information, before plugging in or using this product. Failure to do so could result in fire, electric shock, or serious personal injury.
 CAUTION	Keep this owner's manual for future reference. If you sell or give this product away, make sure this manual accompanies this product.

DO NOT RETURN!

Contact our customer service team for help first.

Email: service2@fireandfireplaceservice.com

Call: 909-206-6608

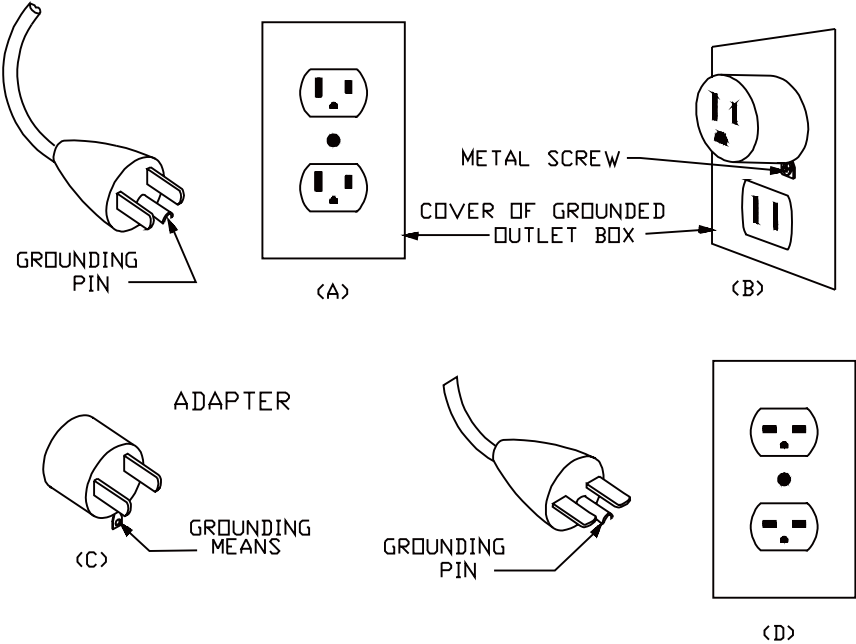
1. IMPORTANT SAFETY INFORMATION

When using electrical appliances, basic precautions should always be followed to reduce the risk of fire, electric shock, injury to persons, and hyperthermia, including the following:

1. Read all instructions before installing or using this heater.
2. This heater is hot when in use. To avoid burns, do not let bare skin touch hot surfaces. Keep combustible materials, such as furniture, pillows, bedding, papers, clothes, etc. and curtains at least 0.9m from the front of the heater and keep them away from the sides and rear.
3. Extreme caution is necessary when any heater is used by or near children or invalids and whenever the heater is left operating and unattended.
4. Do not operate any heater after it malfunctions. Disconnect power at service panel and have heater inspected by a reputable electrician before reusing.(for Stationary Type Only)
5. Do not use outdoors.
6. To disconnect heater, turn controls to off, and turn off power to heater circuit at main disconnect panel.(for Stationary Type Only)
7. Do not insert or allow foreign objects to enter any ventilation or exhaust opening as this may cause an electric shock or fire, or damage the heater.
8. To prevent a possible fire, do not block air intakes or exhaust in any manner.(for Stationary Type Only)
9. A heater has hot and arcing or sparking parts inside. Do not use it in areas where gasoline, paint, or flammable liquids are used or stored.
10. Use this heater only as described in this manual. Any other use not recommended by the manufacturer may cause fire, electric shock, or injury to persons.
11. This heater may include an audible (a visual) alarm to warn that

parts of the heater are getting excessively hot. If the alarm sounds (flashes), immediately turn the heater off and inspect for any objects on or adjacent to the heater that may cause high temperatures. **DO NOT OPERATE THE HEATER WITH THE ALARM SOUNDING (FLASHING).**

This heater is for use on 120 volts. The cord has a plug as shown at A in Figure below. An adapter as shown at C is available for connecting three-blade grounding-type plugs to two-slot receptacles. The green grounding lug extending from the adapter must be connected to a permanent ground such as a properly grounded outlet box. The adapter should not be used if a three-slot grounded receptacle is available.



AA210

NOTE: Adaptors are NOT for use in Canada.

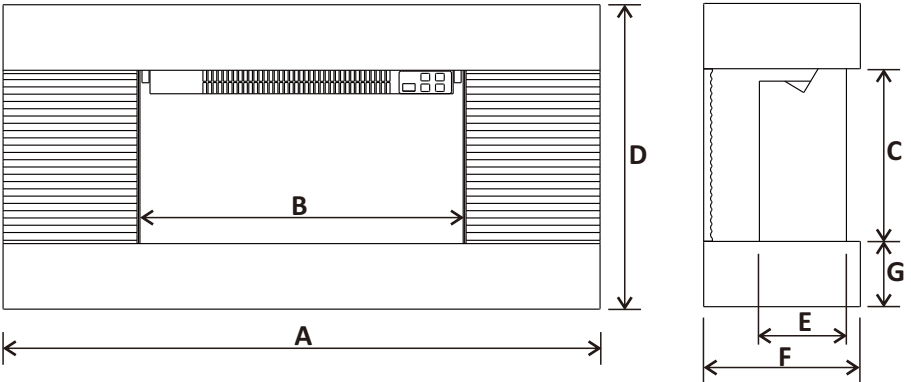
SAVE THESE INSTRUCTIONS!

2. TECHNICAL SPECIFICATIONS

Electric Specifications

Model	Volt	Watt	Hz	BTU(max)	Amp	Heating Area(max)
EF463B EF464B	120	1500	60	5100	12.5	400sq.ft.

Product Dimensions



SKU	Unit	A	B	C	D	E	F	G
EF463B	inch	32.3	17.7	9.4	16.5	4.8	8.5	3.54
	mm	820	450	238	418	121	216	90
EF464B	inch	44.1	25.6	9.4	16.5	4.8	8.5	3.54
	mm	1120	650	238	418	121	216	90

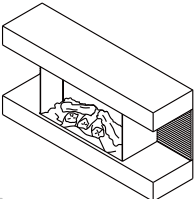
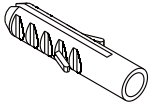
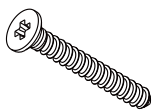
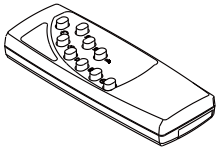
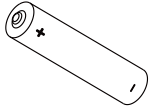
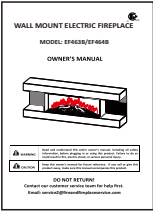
3. BEFORE INSTALLATION

Note:

- Keep the packaging (carton, rapping bag, etc.) for future transportation and/or storage.
- If there is any problem or question, please contact the service team.
- If the unit needs to be returned, please make sure all the spare parts are packed inside, and packing as the same as the original packing.

Check Spare Parts

- Open the packaging carefully and remove the polystyrene.
- Check all the spare parts are fully received.
- Carefully check if any damages that may have for the spare parts.

 <p>1x</p>	 <p>6x</p>	 <p>6x</p>
Fireplace	Wall Plug	ST5x40 Screw
 <p>1x</p>	 <p>2x</p>	 <p>1x</p>
Remote	Battery	Instruction

Function Testing

Please refer to section **OPERATION INSTRUCTION** part to test the appliance first before installation. Should any defects found, please contact service team for help.

Email: service2@fireandfireplaceservice.com

4. INSTALLATION INSTRUCTIONS

Tools Required

A screw driver, an impact drill and a hammer will be needed.

1. Locate the appliance

Your new electric fireplace may be installed virtually anywhere in your home. However, when choosing a location ensure that the general instructions are followed.

- For best results, install out of direct sunlight.
- The appliance should be connected to an earthed electrical outlet and it must be easily accessible to allow disconnection.

MINIMUM CLEARANCE TO COMBUSTIBLE

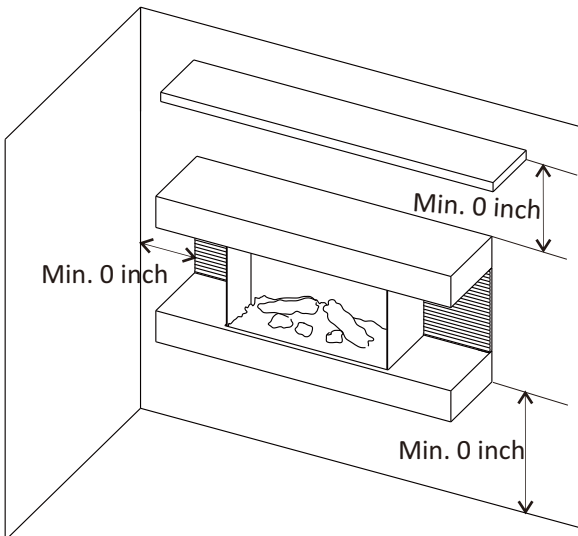
Sides.....0

Floor.....0

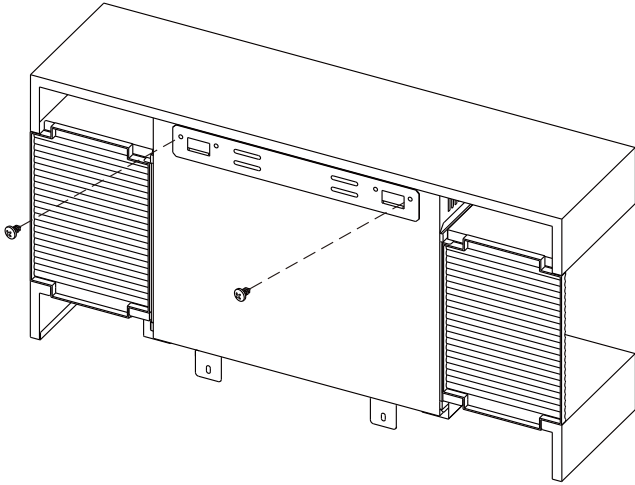
Back.....0

Top (Mantel or TV)0" Minimum

Front.....36" Minimum

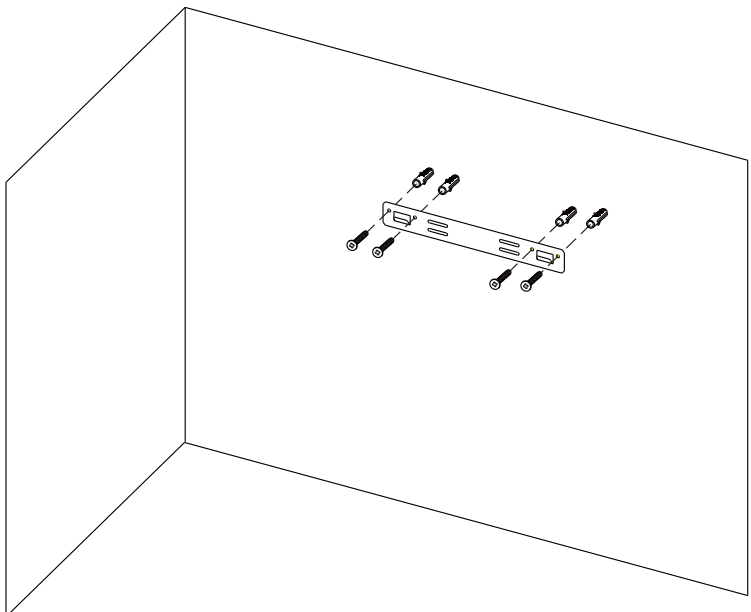


2. Remove the wall mounting bracket



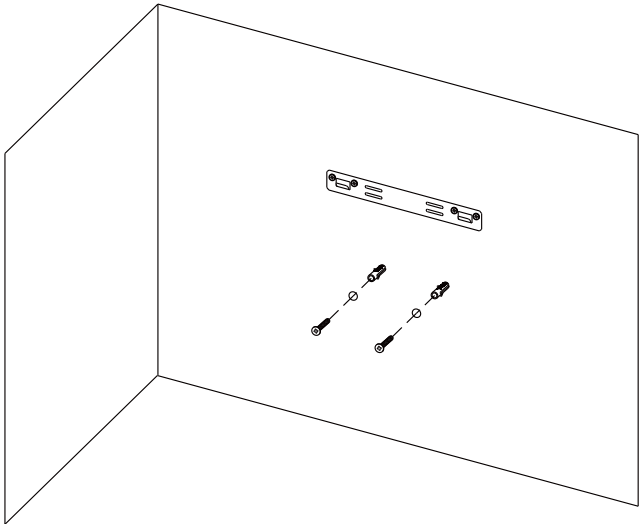
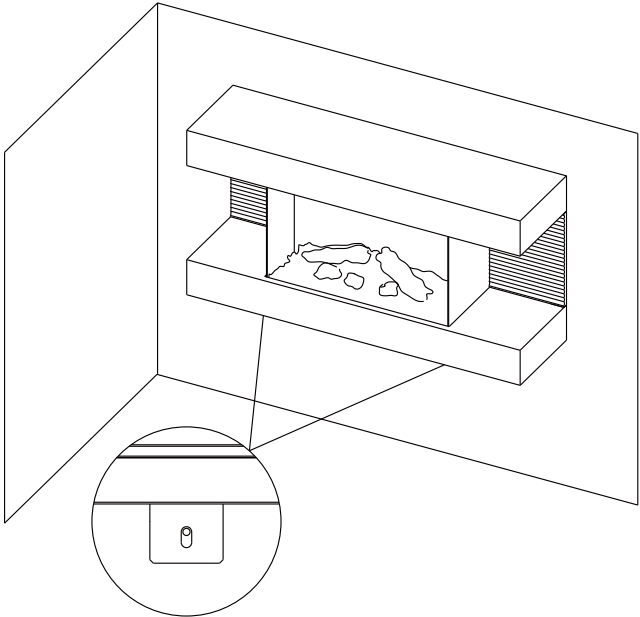
3. Locate and secure the mounting bracket to the wall.

Place the wall mounting bracket on the desired position, ensure the bracket is level. Mark and drill holes for wall plugs, tap wall plugs into the holes and secure the bracket to the wall with 4pcs ST5x40 Screws.

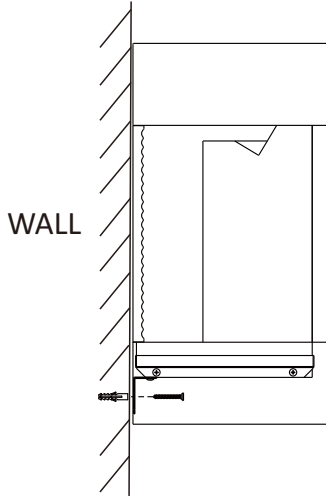


4. Mark the position for bottom fixing brackets.

Lift the appliance up and attach to the wall bracket, mark the hole position of the two boom fixing brackets, take the appliance down, drill holes on the marks and then insert wall plugs into it .



5. Attach the appliance to the bracket and secure at the bottom.



5. OPERATING INSTRUCTIONS

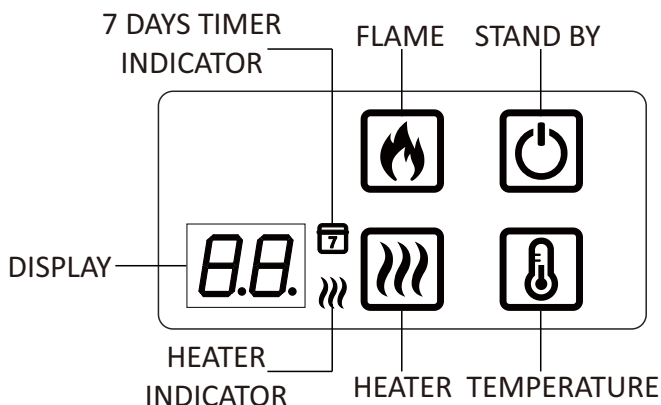


Read and understand this entire owner's manual, including all safety information, before plugging in or using this product. Failure to do so could result in electric shock, fire, serious injury, or death.



WARNING! Do not operate the unit if it is damaged or has malfunctioned. If you suspect the unit is damaged, call a qualified service technician to inspect and replace any part of the electrical system if necessary.

5a. Manual Control Panel



Note: The manual buttons control only basic functions, not a full range of controls. Use in conjunction with the remote handset or the APP to carry out.

STAND BY: Press to turn on or turn off the flame effects and heater.

FLAME: Repeatedly press to cycle through 3 flame effects.

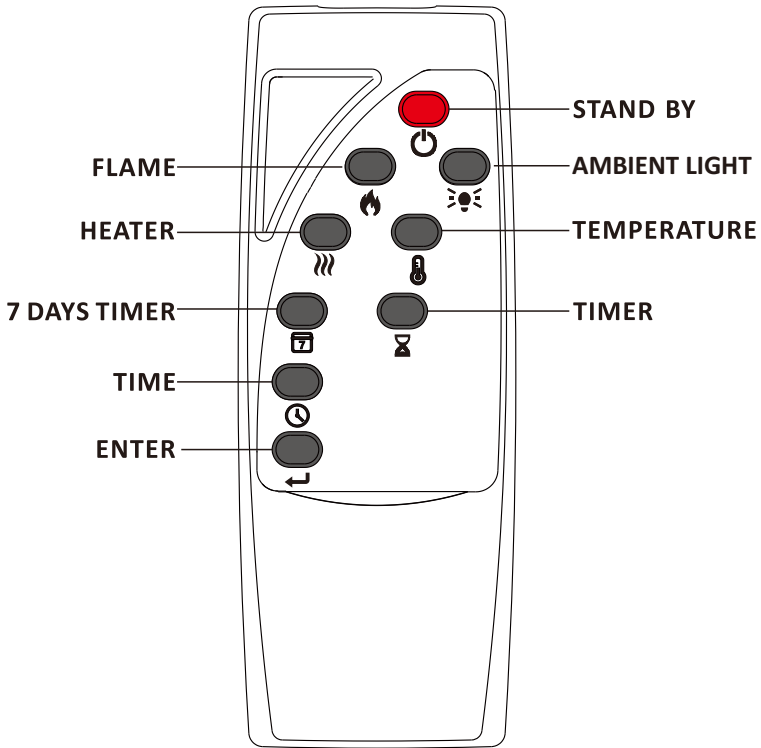
HEATER: Press to turn on/off the heater.




TEMPERATURE: Repeatedly press to select the temperature you want the room to reach from the range of 16-28°C (60-82°F) and then 58°C (99°F) which will keep the heater on. Hold the button to switch between °C / °F.






5b. REMOTE CONTROL

NOTE:



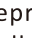

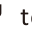


- Ensure that the handset batteries are new and inserted correctly.
- Aim the remote control at the remote receiver which is behind the right side of the flame screen.




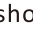






Icon	Title	Function	Fireplace Response
	STANDY BY	Press to turn on or turn off the flame effects and heater.	The flame runs. The current flame setting shows on the display.
	FLAME	Repeatedly press to cycle through 3 flame effects.	The flame runs. L1, L2, L3 shows on the display.
	HEATER	Press to turn on/off the heater. The heater can be run independently.	The temperature shows on the display and the heater indicator will turn off after 10 seconds if the flame effect is on.

Icon	Title	Function	Fireplace Response
	AMBIENT LIGHT	Repeatedly press to cycle through 14 ambient light colors and off setting.	The number 00-14 will show on the display.
	TIMER	Repeatedly press to cycle through timer options. Select an amount of time for the appliance to operate, and then automatically turn off. Choose between 0.5, 1, 2, 3, 4, 5, 6, 7, 8, 9 hours.	The number 30, 1H, 2H, 3H, 4H, 5H, 6H, 7H, 8H, 9H, 0H shows on the display.
	TEMPERATURE	Press to select the temperature you want the room to reach from the range of 16-28°C(60-82°F) and then 58°C(99°F), which will keep the heater on. Hold the button to switch the unit between °C/°F.	The display of the appliance shows the temperature. 16-28 in Celsius degree corresponds to 60-82 in Fahrenheit degree. There will be changes in number while switching between °C/°F.
	TIME	Press to set the heating start and end time.	The number shows on the display.
	7 DAYS TIMER	Press to turn on or off the 7 days timer for heater.	7 days timer and heater indicators are both on.

Set Up Current Day and Time

Hold time button  on the remote to enter date and time setting mode; Repeatedly press time button  to select date, D1-D7 will show on the display which represents Monday-Sunday. Press button  to confirm, and then automatically enter hour setting. Press button  to set the hour, and press button  to save and then automatically enter minute setting. Press button  again to set minute and then press  to save.

Set Up the 7 Days Timer

- Hold the button  on the remote until the 7 days timer indicator on the firebox flashes to enter 7 days timer setting mode.
- D1 (Monday) will show on the display and then press  to confirm; then 00 will show on the display. Press button  to set the time for turning on the heater and then press  to confirm; The 00 will show on the display, press  to set the time for turning off the heater and then press  to confirm. **PLEASE NOTE: There is only one period each day for heating on and off.**
- Repeat the steps above to set the timer for D2 to D7 (Tuesday to Sunday). The display on fire will show the time for turning on and off the heater as same as the time of last day. If you want to change the time, press the button .
- If you don't want to set for a certain day, just set both start and end time as 00.
- Hold 7 days timer button  to save all settings after you finish the setting for Sunday. The indicator will stop to flash.
- The weekly timer will be set only when you finish the setting from Monday to Sunday completely. During the setting process, the pause of more than 20 seconds will terminate the entire weekly timer setting.

OPEN WINDOW DETECTION

Open Window Detection is an innovative eco feature that detects a rapid drop in room temperature caused by an open window. The warning word "oP" will be displayed on the appliance and the heater will be turned off. If the room temperature rises or the remote control is operated manually, the heater will return to its normal working state.

Adaptive Start Control

Learning from the previous heating cycle enables the appliance to judge the appropriate advance time to turn on the heater to ensure that the set temperature is reached at the set time. For example, if your timer is set to start at 18:00 and temperature is set to 23°C, the fire may for example come on at 17:30 to ensure the room is 23°C at 18:00.

IMPORTANT SAFETY INFORMATION FOR REMOTE CONTROL

1. Two AAA alkaline batteries are required for the remote control;
2. Use the thumb press and push the bar figure on the back cover down simultaneously, then take out the cover and remove the battery or insert the battery, after this put the cover back to its body back;
3. This AAA alkaline battery (non-recharged) is not to be recharged;
4. Different types of batteries or new and used batteries are not to be mixed;
5. Batteries are to be inserted with the correct polarity;
6. Exhausted batteries are to be removed from the appliance and safely disposed of;
7. If the remote control is to be stored unused for a long period, the batteries should be removed;
8. The supply terminals are not to be short-circuited

RESETTING THE THERMAL CUT OUT

The appliance is fitted with an Electronic Safety Control (E.S.). This is a safety device which switches off the fire if, for any reason, the appliance overheats, e.g. when covered. If the heater stops operating while the flame effect continues working normally, this indicates that the E.S. Control is in operation. The E.S. control can only be re-set after the appliance has cooled down, and the appliance has been reset. Resetting of the E.S. Control procedures are as follows :

1. Press button **STAND BY** on fire to turn off the appliance and leave it off for approximately 10-15 minutes.
2. Remove any obstruction to the fan heater outlet or fan blades etc. Make sure that the power supply is disconnected with the plug socket outlet while doing this.
3. Turn on the appliance and the E.S. Control will be reset.
4. Ensure that the appliance is functioning correctly. If the E.S. Control operates again. The appliance should be checked by a competent electrician.

CLEANING

WARNING! ALWAYS turn the heater OFF and unplug the power cord from the outlet before cleaning, performing maintenance, or moving this fireplace. Fail to do so could result in electric shock, fire, or personal injury.

WARNING! NEVER immerse in water or spray with water. Doing so could result in electric shock, fire, or personal injury.

METAL:

- Buff using a soft cloth, slightly dampened with a citrus oil-based product.
- DO NOT use brass polish or household cleaners as these products will damage the metal trim.

GLASS:

- Use a good quality glass cleaner and dry thoroughly with a paper towel or lint-free cloth.
- NEVER use abrasive cleansers, liquid sprays, or any cleaner that could scratch the surface.

PLASTIC:

- Wipe gently with a slightly damp cloth and a mild solution of dish soap and warm water.
- NEVER use abrasive cleansers, liquid sprays, or any cleaner that could scratch the surface.

Vents:

- Use a vacuum or duster to remove dust and dirt from the heater and vent areas.
- Clean the exterior of the fireplace with a slightly damp cloth or duster.

MAINTENANCE

WARNING! Risk of electric shock! DO NOT OPEN! No user-serviceable parts inside!

Electrical and Moving Parts:

- The fan motors are lubricated at the factory and will not require lubrication.
- Electrical components are integrated in the fireplace and are not serviceable by the consumer.

Replacement parts:

- Use only replacement parts supplied by the manufacturer. Use of any other parts, or modifying the fireplace in any way, will void all warranties.

LIMITED WARRANTY

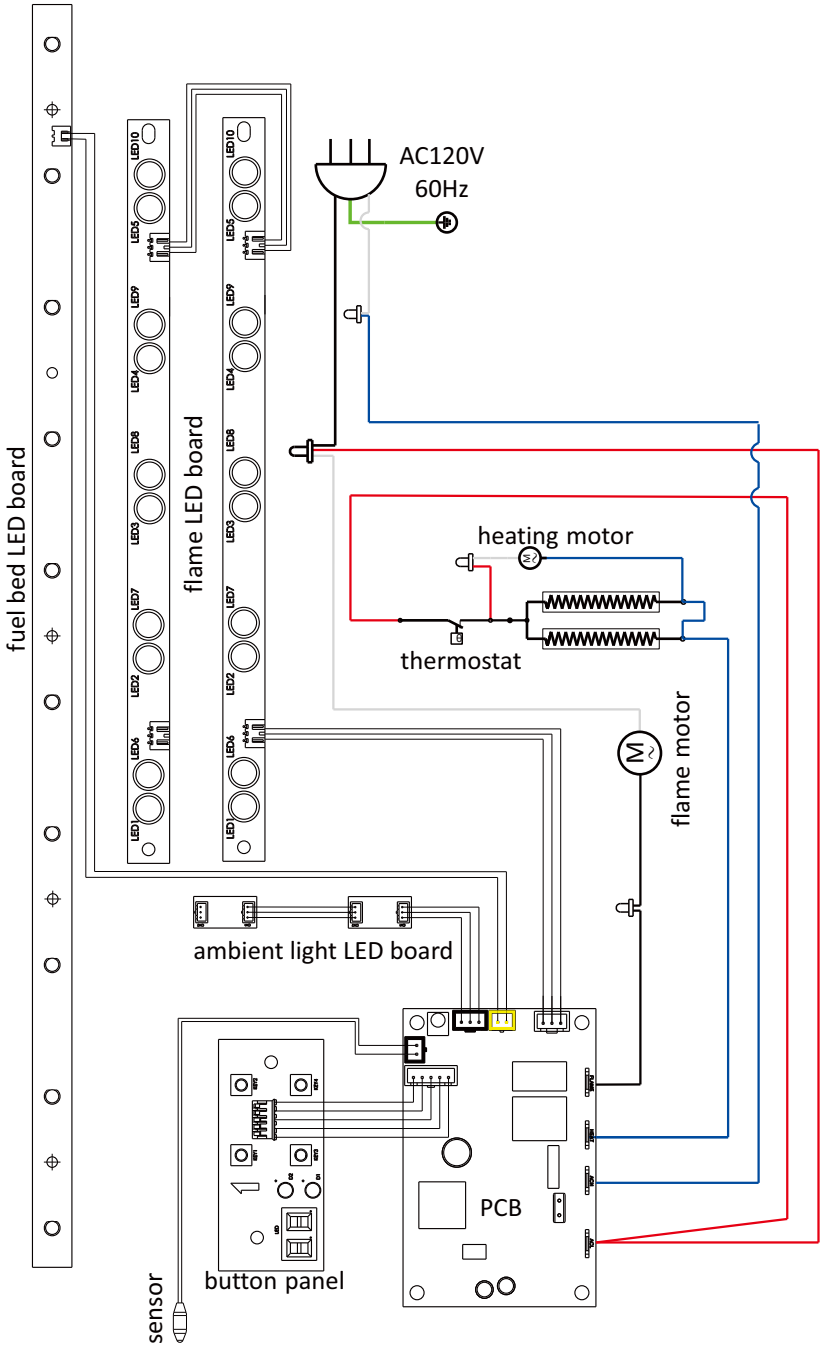
This warrants to the original purchaser that this product is free from defects in material and workmanship as of the date of purchase and that it will, under normal use and proper care, remain so for one year from the date of purchase. Missing or initially defective parts will be replaced free of charge during the period of this limited warranty. If parts are unavailable, comparable replacement or refund will be given. **The original dated sales receipt is required for all warranty claims.** This warranty does not cover damage which has occurred during transport from the point of purchase to the consumer's home. This warranty does not cover glass, light bulbs, batteries, transportation, labor, or other issues not associated with the manufacture of the product.

This product is for residential use only. Any and all commercial use of this product voids all warranties, and frees the manufacturer from all liability.

Read and understand all assembly and operating instructions, and all safety information and warnings, before use. The following will void this warranty: Damage caused from tampering with, modifying, or altering the fireplace insert in any manner; Damage due to incorrect assembly, improper care, misuse, or abuse; Damage from being used with the wrong power source; Water damage; Damage caused from this insert being used outdoors; Damage caused from this insert being used for excessive periods of time; Damage caused by the insert being used in a commercial application; Damage from use as a primary heat source; Other misuse or abuse not specifically listed herein.

This product is not intended to be used as a primary heat source. It is for supplemental heating purposes only.

Schematic Diagram



Ningbo Richen Electrical Appliance Co., Ltd.
Address: No. 19, Yongdinghe Road, Xiapu, Beilun, Ningbo, Zhejiang, P.R.China