

ASSEMBLY INSTRUCTIONS

TOOLS REQUIRED:

Allen Wrench (Provided, Part E)

BEFORE YOU START:

1. Check the parts against the parts list to make sure all items are present.
2. Assemble your furniture on a soft, flat surface to avoid scratching the finish.
3. **CAUTION:** Do not over tighten screws, nuts or bolts during assembly.
4. Your furniture may require occasional tightening.

INSTRUCTIONS:

1. Turn the table top frame upside down on to a clean soft surface. And attach four legs to the top frame As Shown in Figure 1
2. Attach the bottom frame to the legs using Bolt (B), lock washer (C), flat washer (D) and the Allen Wrench (E). As Shown in Figure 2.
3. Turn the table upright. Attach glass top to the top frame using Clear bumper (A). As Shown in Figure 3.

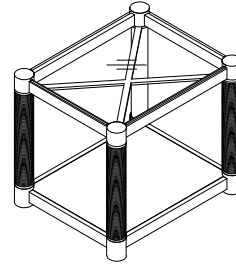


Figure 1

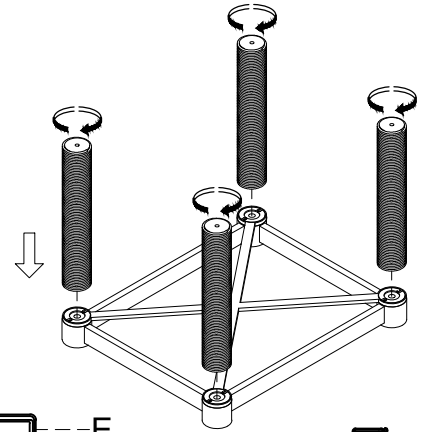


Figure 2

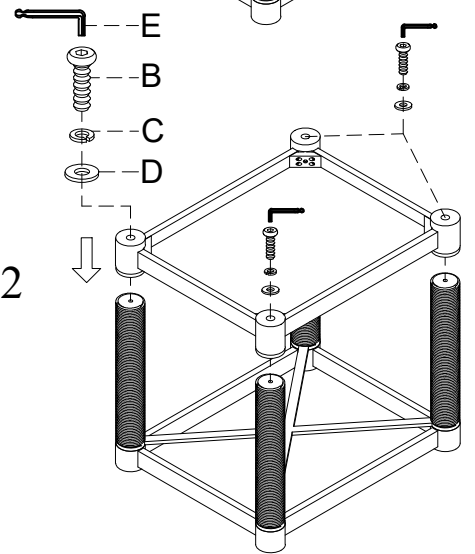
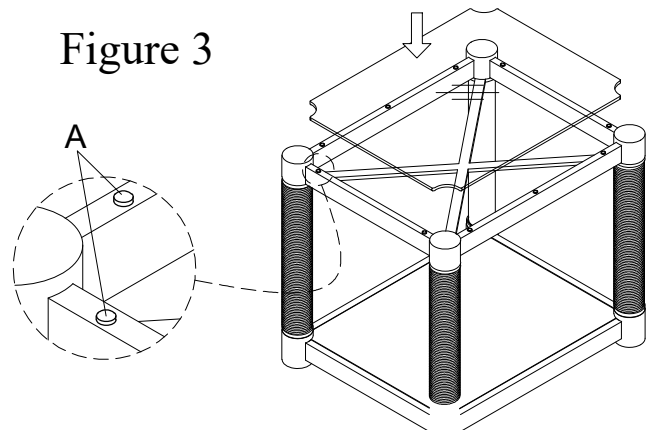


Figure 3



HARDWARE LIST

NO.	Drawing	Description	Q'TY
A		Clear bumper (Ø12*3mm)	10 pcs
B		Bolt (Ø5/16 x 4-1/8")	4 pcs
C		Lock Washer Ø5/16"	4 pcs
D		Flat Washer Ø5/16"*19mm	4 pcs
E		Allen Wrench 4MM	1 pc