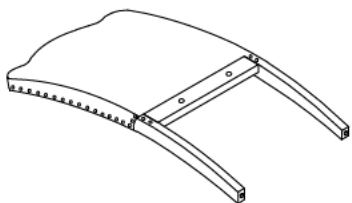


BEST QUALITY FURNITURE ASSEMBLY INSTRUCTIONS

Description: SIDE CHAIR

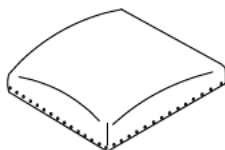
LIST OF PARTS

(A) Back Frame



1 pc

(B) Seat Frame



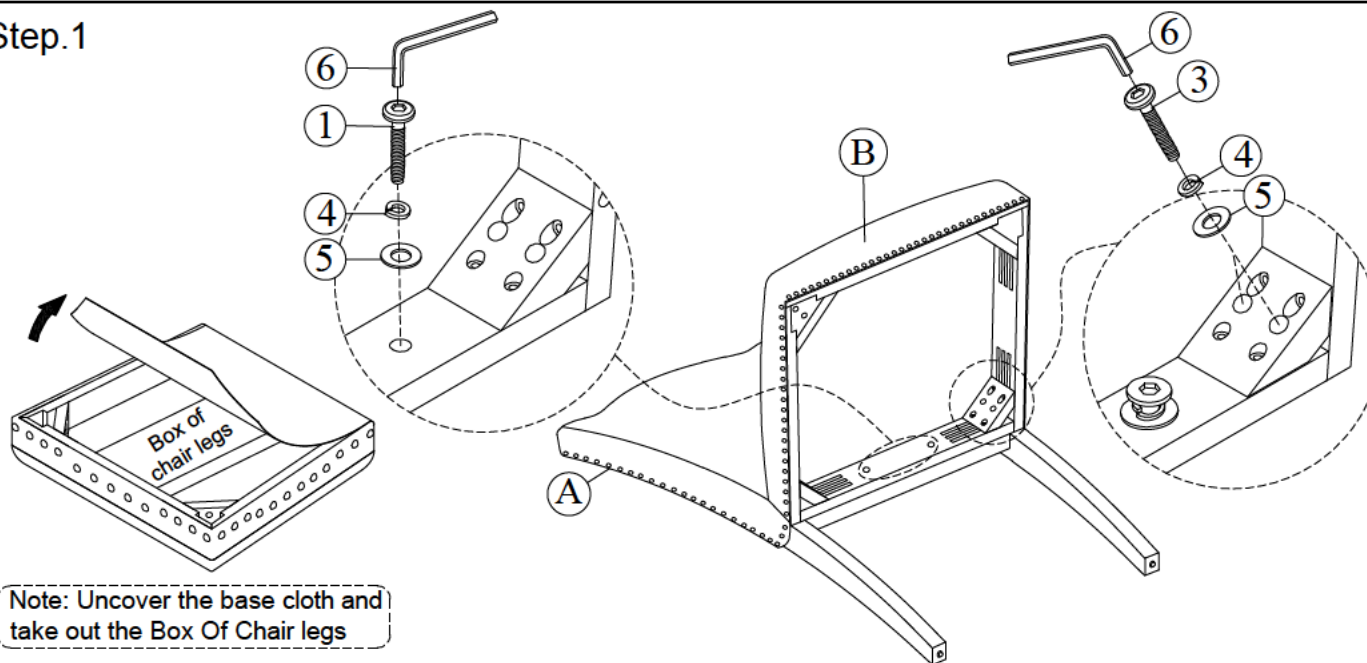
1 pc

(C) Front Leg



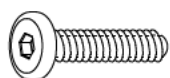
2 pcs

Step.1



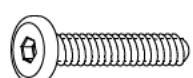
LIST OF HARDWARE

1. Short bolt



1/4" x 40mm (2pcs)

2. Medium bolt



1/4" x 60mm (4pcs)

3. Long bolt



1/4" x 75mm (4pcs)

4. Spring Washer



1/4" (10pcs)

5. Flat Washer



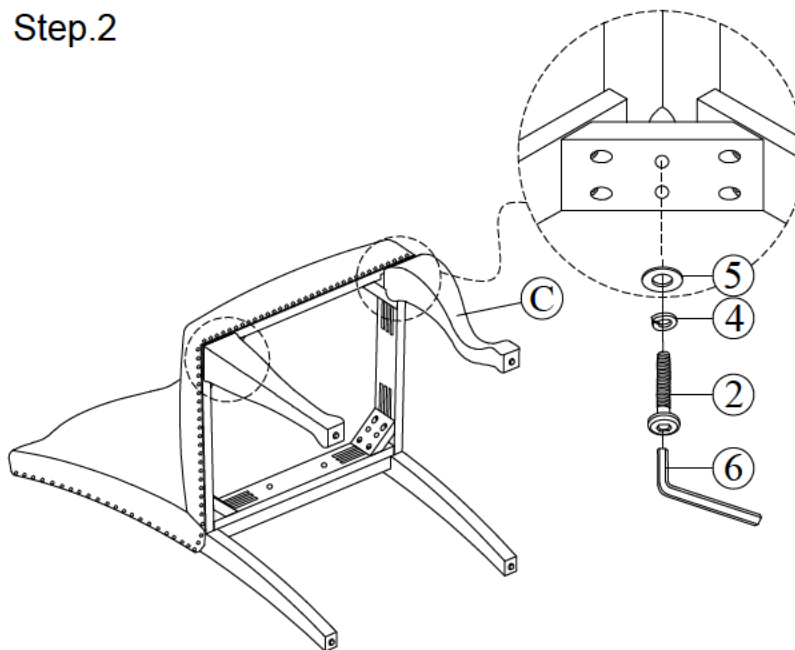
1/4" (10pcs)

6. Allen key



1pc

Step.2



Completed

