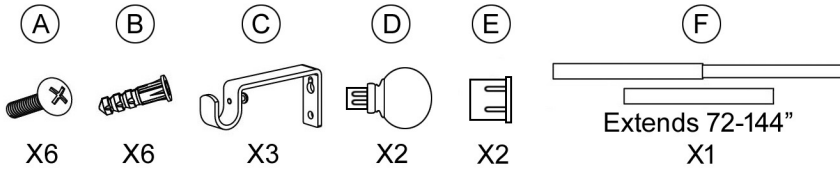


1" DRAPERY ROD INSTALLATION INSTRUCTIONS - 72-144" ROD SET

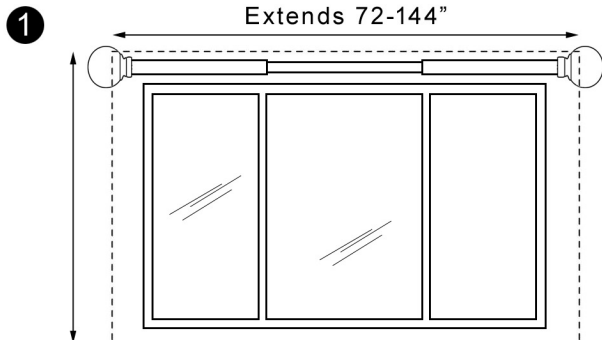
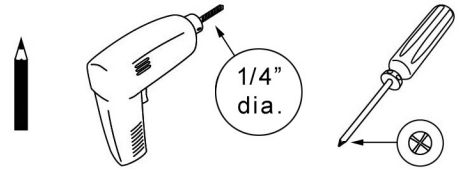
Care Instructions: Clean with a soft cloth. Do not use abrasive cleaning agents, solvents or polishes.

SET INCLUDES:

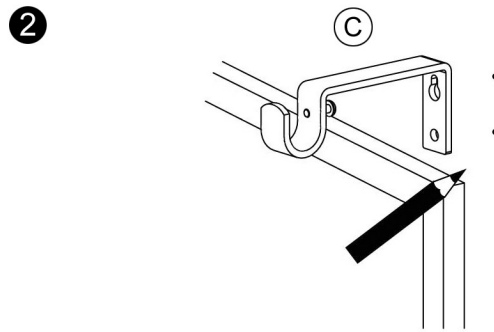


Note: The adaptors (E) are pre-attached to the finials (D) to fit to the larger diameter rods.

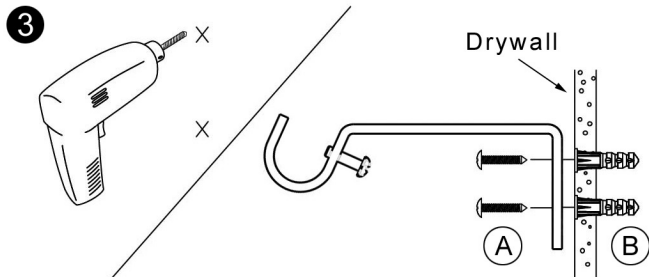
YOU WILL NEED:



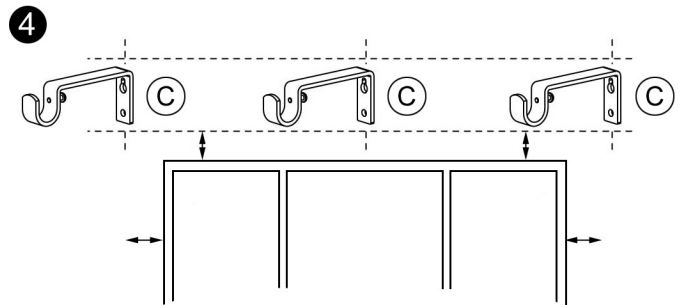
Before installation, measure windows to determine appropriate drapery rod length.



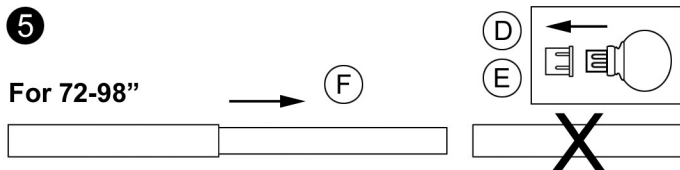
Use bracket (C) as a guide to mark location for mounting screws (A).



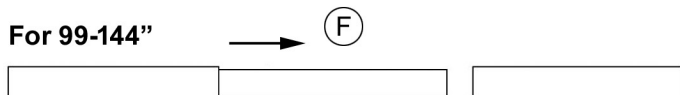
Drill pilot holes into wall with 1/4" drill bit (not included). Insert wall anchors (B) and attach bracket (C) using mounting screws (A). Wall anchors may not be necessary if drilling into studs.



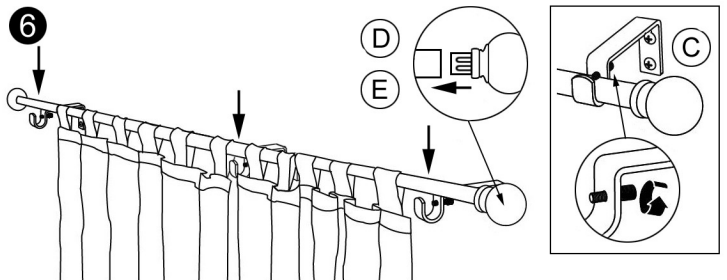
Repeat steps 2-3 for additional bracket. Use level if necessary.



For 72-98" Use 2 telescopic rod sections (1 larger diam. and 1 smaller diam.). Remove adaptor (E) from 1 of the finials (D), this will be inserted into the smaller diam. rod.



For 99-144" Use 3 telescopic rod sections. Extend the smaller diam. rod that is nestled in the larger diam. rod. Then insert the smaller diam. center rod into the second larger diam. rod section.



Place drapery panels (not included) onto drapery rod and extend to desired length. Hang rod on brackets. Insert finials (D) into ends of rod and tighten set screws on brackets (C).