
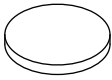

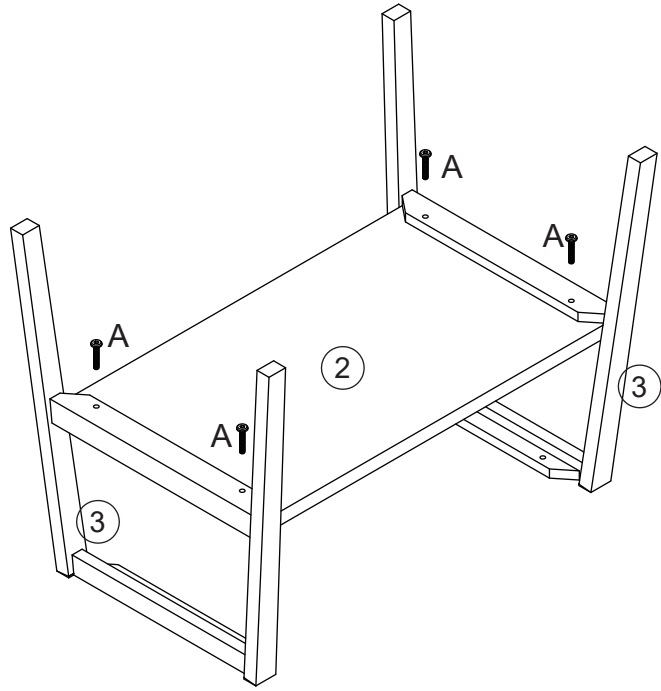
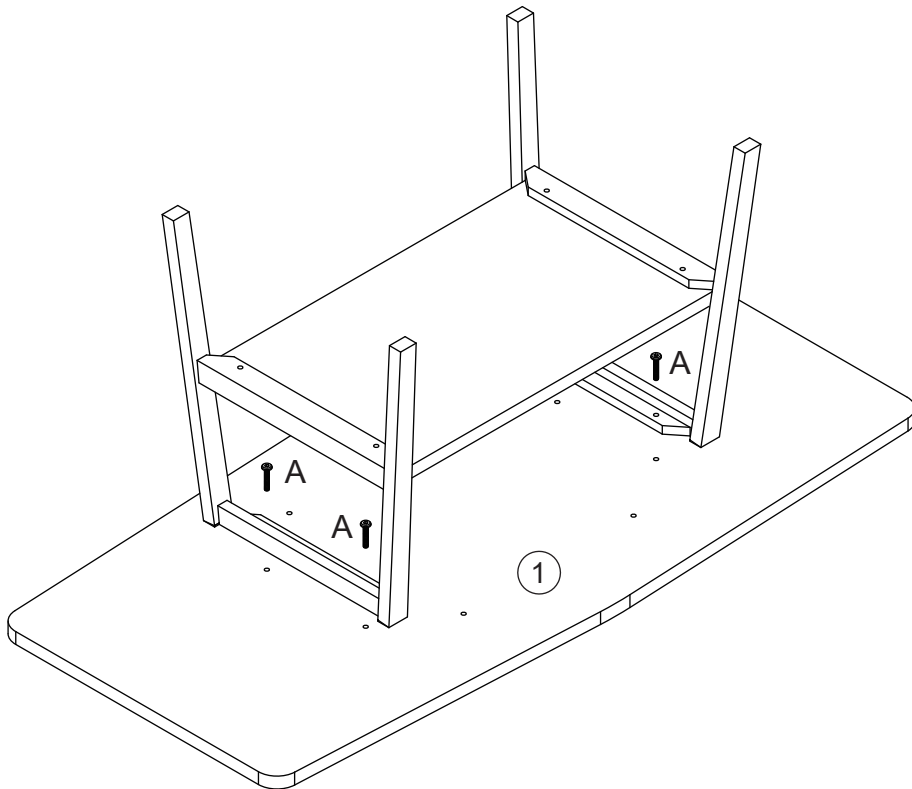


A x 12	B x 4	C x 1
		

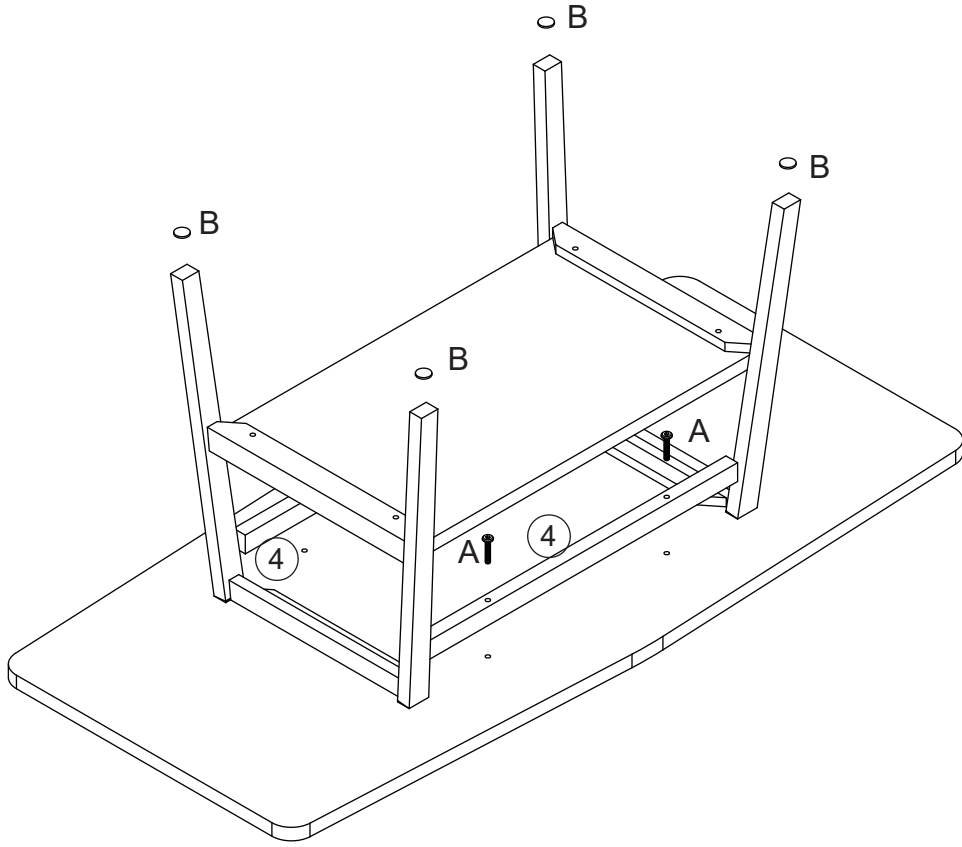
1



2



3



4

