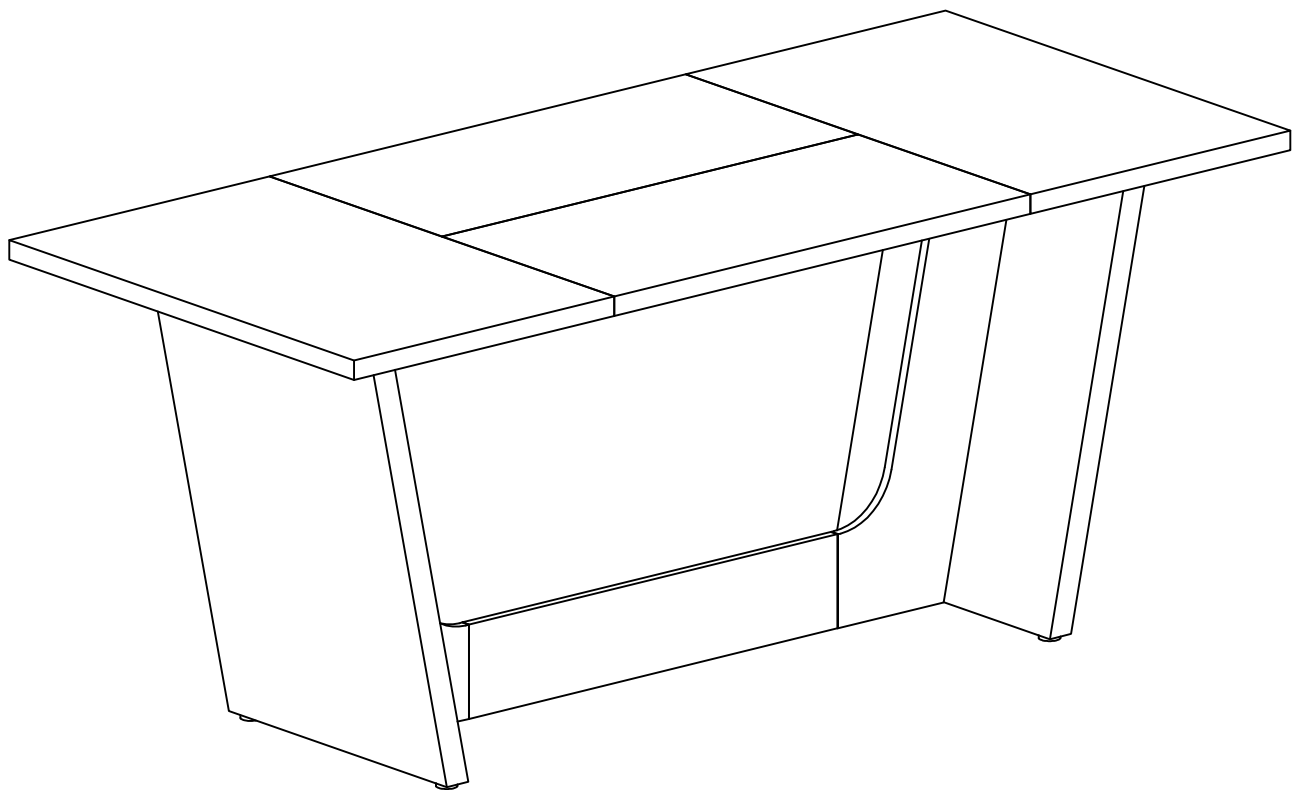

LITTLE TREE
Assembly Instructions

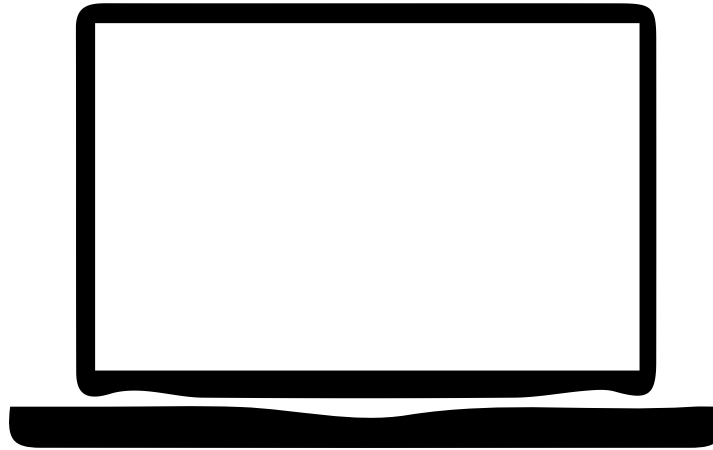


Conference Table

Call us!

We're here to help!

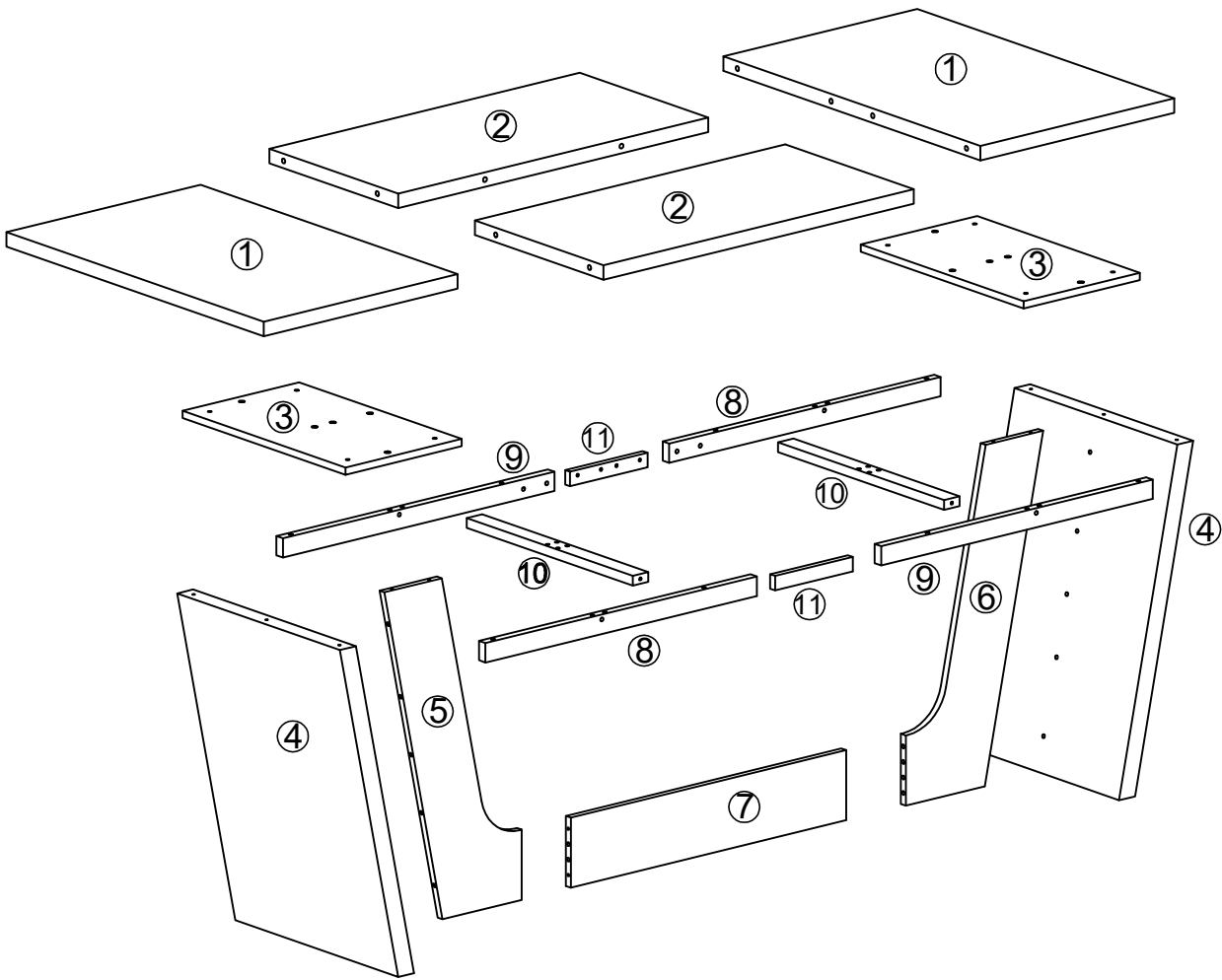
If you have any issues with this product, please contact our customer service team **before returning** it.

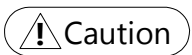


We want you to be completely satisfied with your purchase! If anything is missing, damaged, incorrect, or not what you expected, don't worry. Please keep the outer packaging and take photos of both the packaging and products. We'll take care of everything and send you a free replacement, so you can enjoy your purchase as soon as possible without any hassle.

Assembly Instructions:

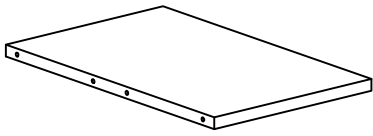
1. Carefully read these instructions and keep them for future reference.
2. Refer to the parts list for guidance and ensure that you have all the pieces before starting the assembly process, if anything is missing, damaged, incorrect, contact us **BEFORE** assembling.
3. When assembling, place all parts on a soft, clean, and flat surface, such as a carpet, to prevent any scratches.
4. To avoid misalignment of the holes, Please don't full tighten the screws until you ensure all parts in place.



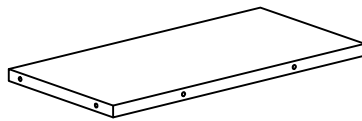
 Caution

Make sure all parts are included. Most board parts are labeled or stamped on the raw edge. Contact us for free replacement if having damaged or missing parts.

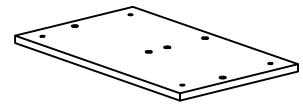
Parts & Hardware List



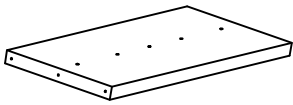
① 2pcs



② 2pcs



③ 2pcs



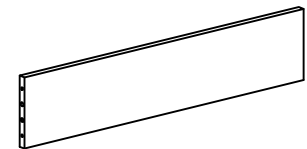
④ 2pcs



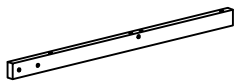
⑤ 1pc



⑥ 1pc



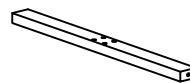
⑦ 1pc



⑧ 2pcs



⑨ 2pcs

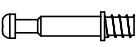



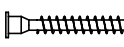

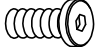

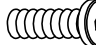
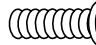
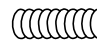




⑩ 2pcs



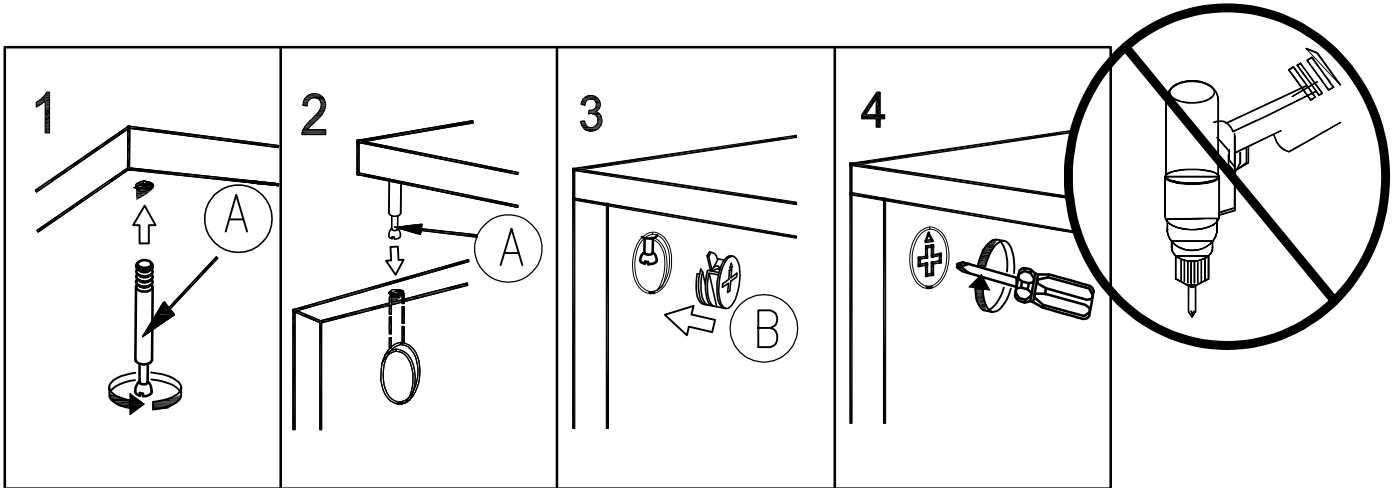
⑪ 2pcs

Hardware List

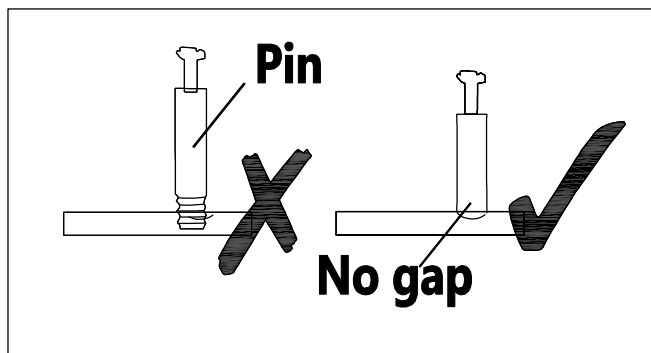
A	X10+1	B	X10+1	C	X8+1	D	X10+1	E	X10+1	F	X1	G	X16+1
													
φ6X35mm		φ15X12mm		φ8X30mm		Ø10X50mm		φ7X47mm		M4X55mm		M6X12mm	
H	X8+1	I	X8+1	J	X4+1	K	X16+1	L	X4	M	X2		
													
M6X30mm		M6X35mm		M6X40mm		M6X55mm		M6XØ30mm		φ20mm			

Installation of Cams and Pins

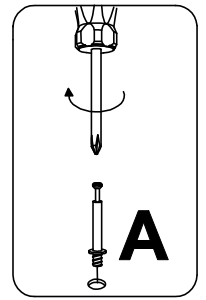
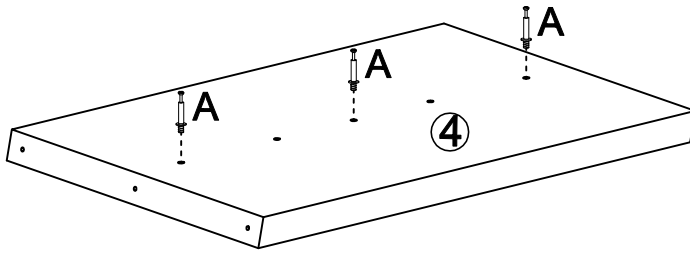
Screw the pin into the hole. To set the cams correctly, ensure that the arrow on the cam is opening to the hole of the pin it is locking. Lock the cam by turning the cam head with a screwdriver until it is tightened. Please do not use an electric screwdriver to assemble the unit.



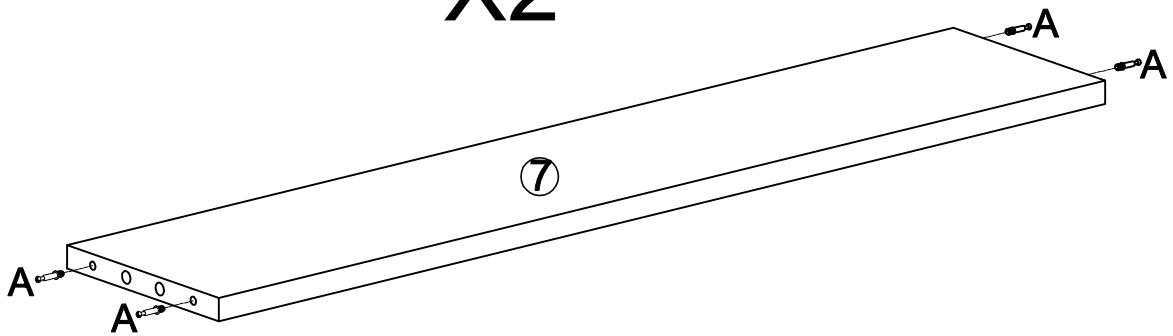
Read each step carefully before starting. It is very important that each step of instruction is performed in the correct order. If these steps are not followed in sequence, assembly difficulties will occur.



1

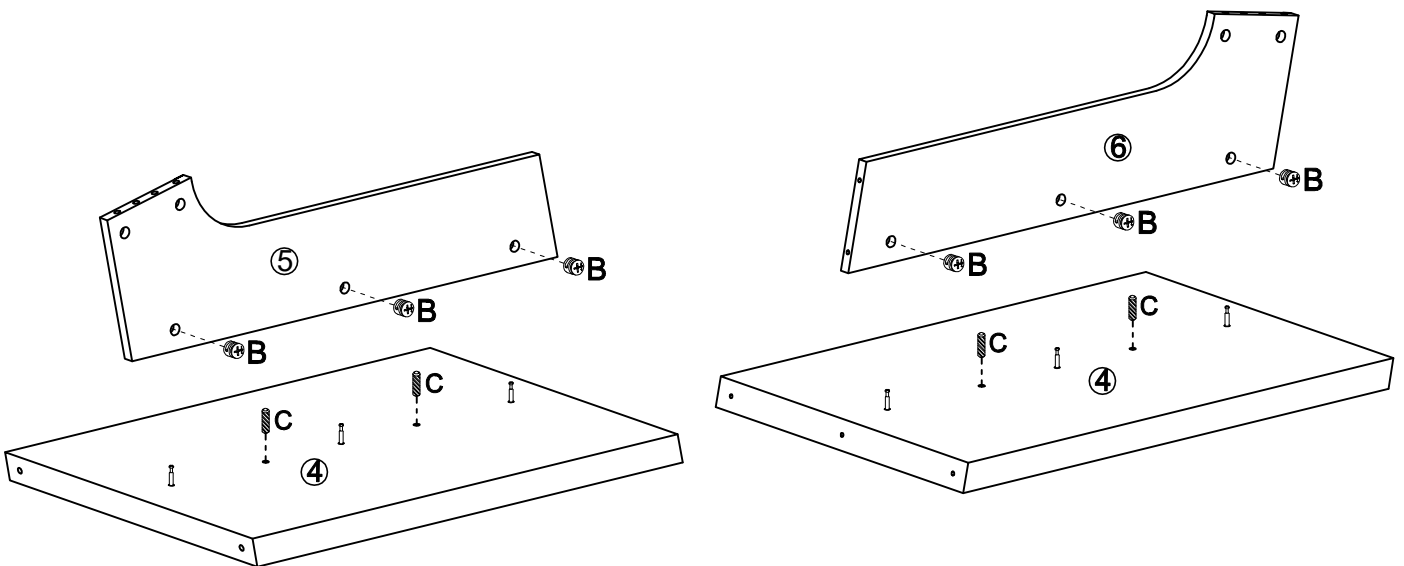


X2



A	X10
φ6X35mm	

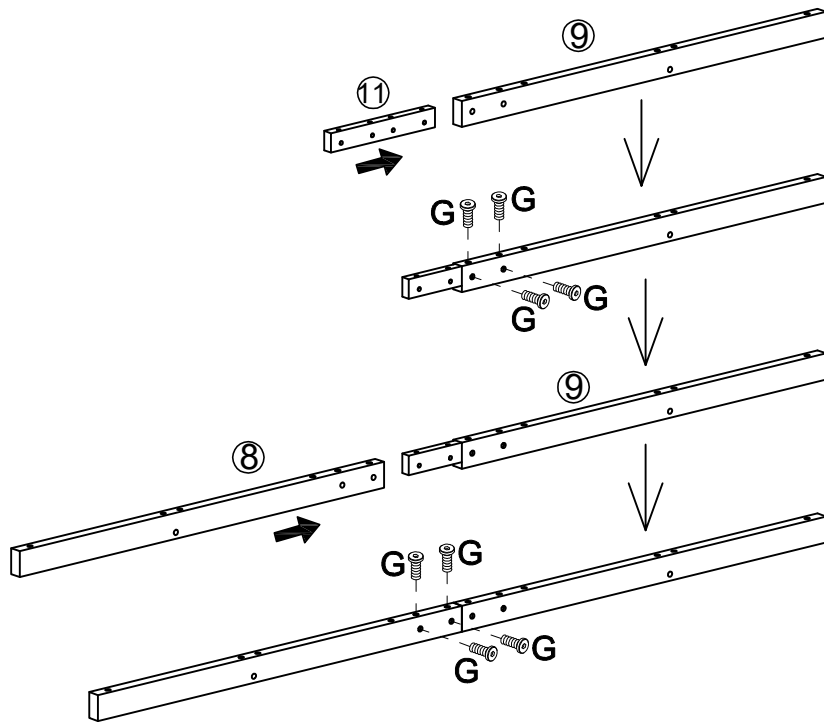
2




B	X6	C	X4
φ15X12mm		φ8X30mm	

3


screw down 

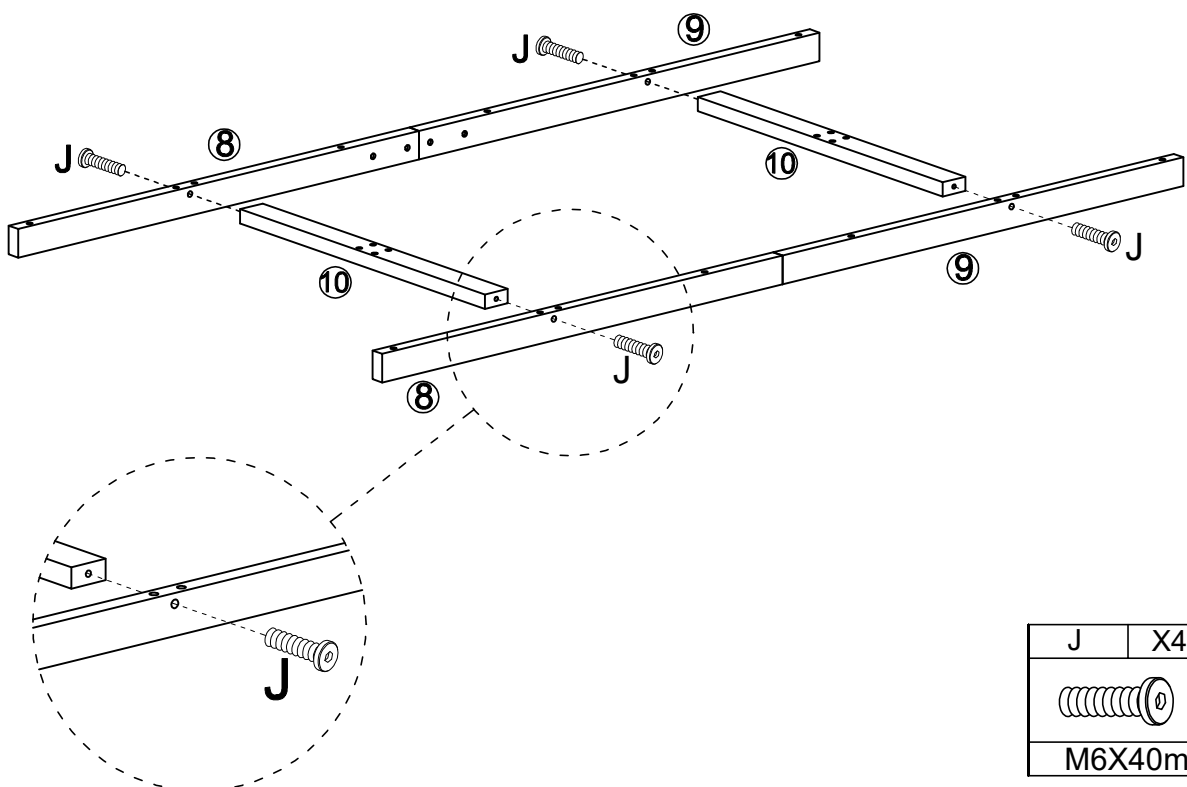


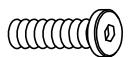
X2

G	X16
	
M6X12mm	

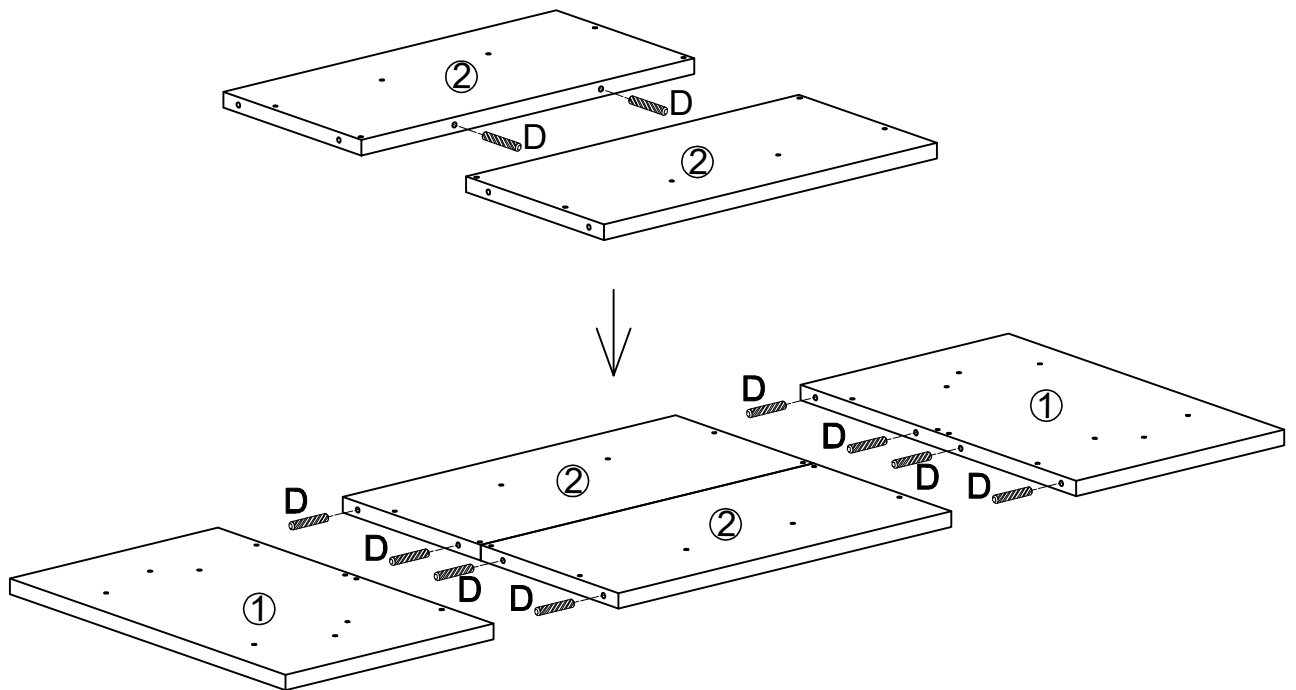
4


pre-drill 70% 



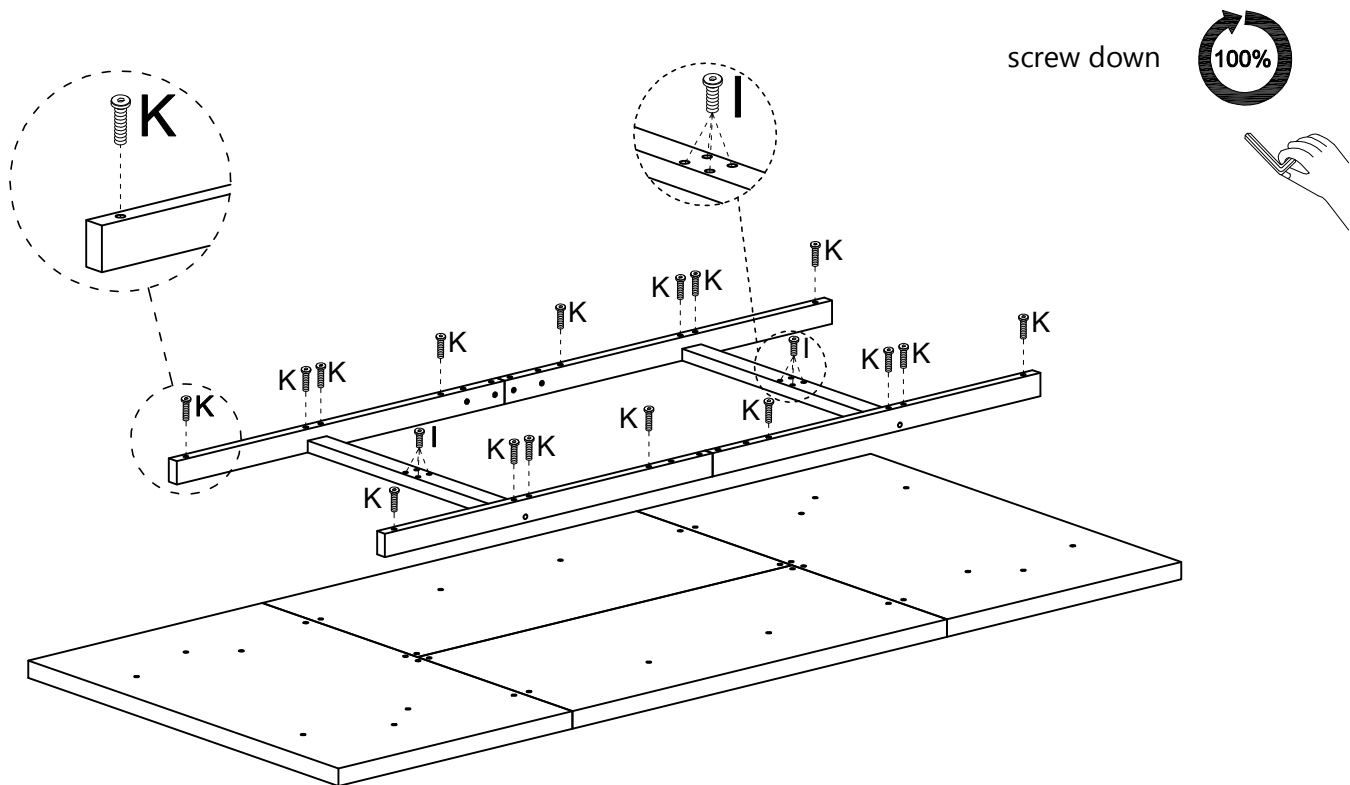
J	X4
	
M6X40mm	



5



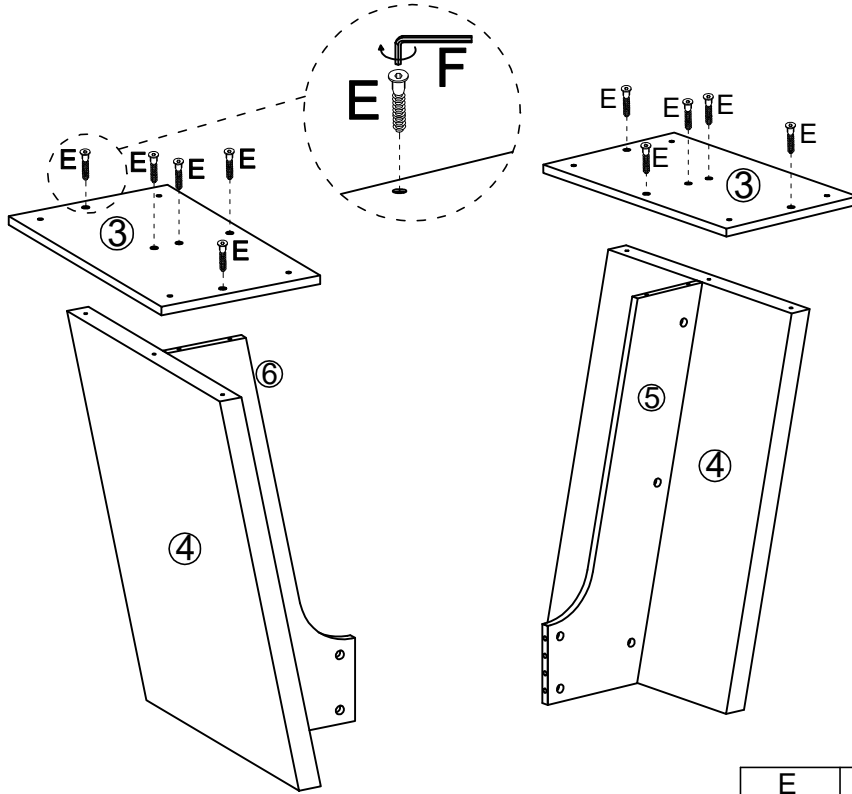
D	X10
	
Ø10X50mm	



6



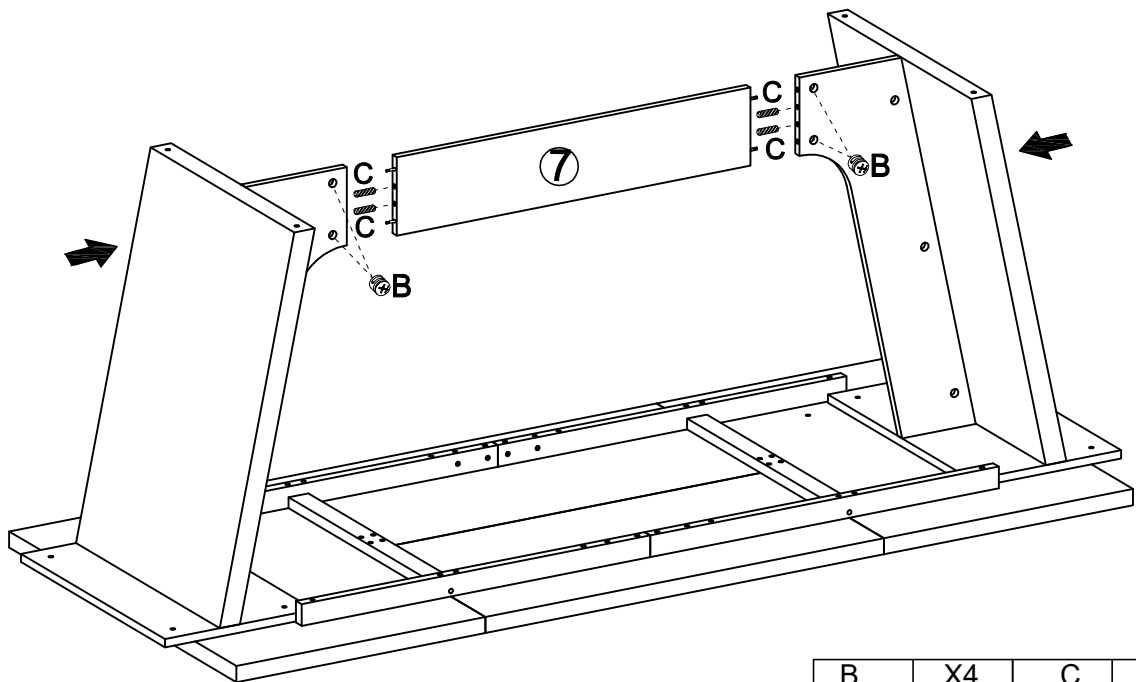
I	X8	K	X16
			
M6X35mm		M6X55mm	



7



E	X10	F	X1
			
φ7X47mm		M4X55mm	

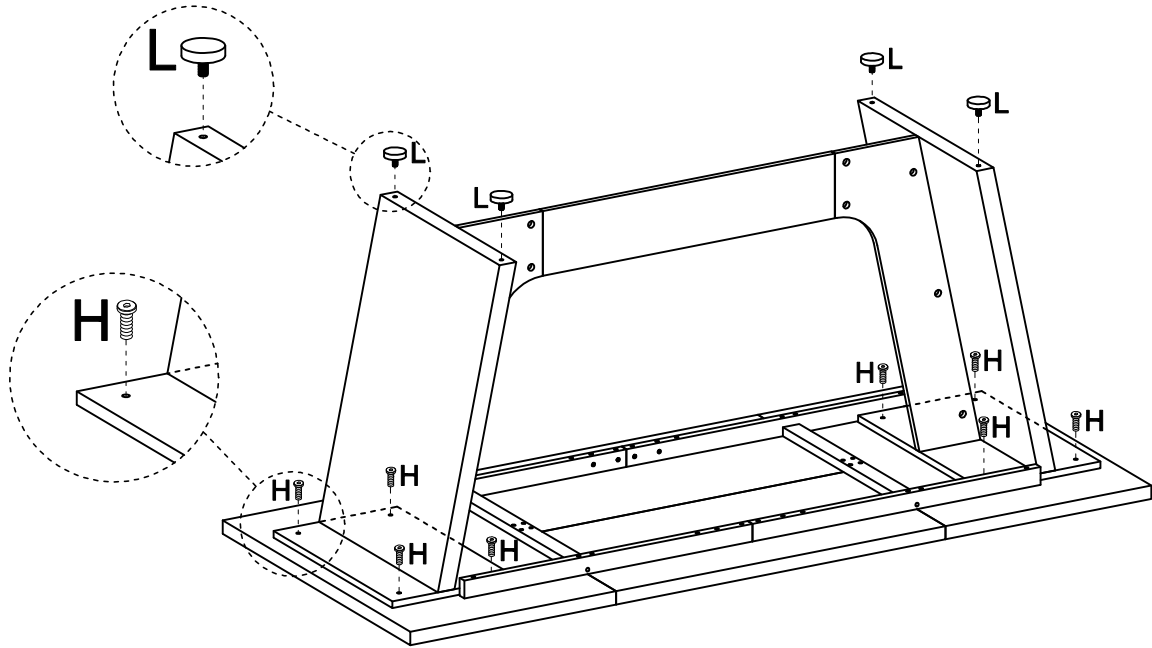
8

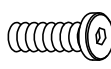



B	X4	C	X4
			
φ15X12mm		φ8X30mm	

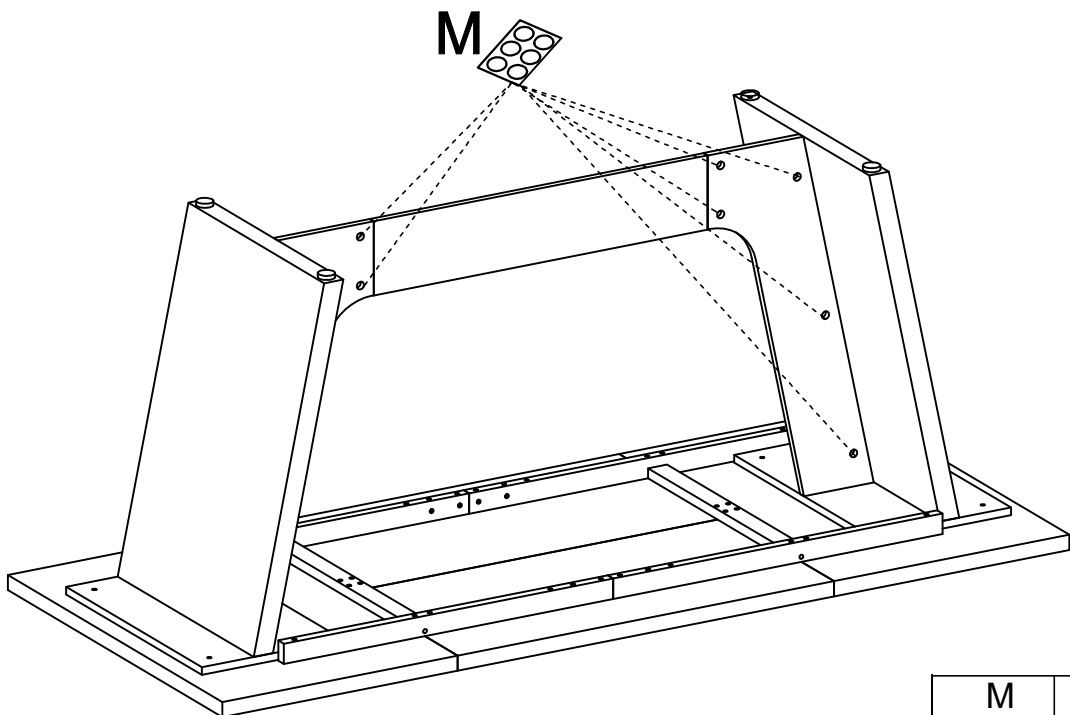
9


screw down 

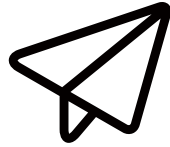


H	X8	L	X4
			
M6X30mm		M6XØ30mm	

10



M	X2
	
φ20mm	



No heartburn,
when we handle
the return

Our way



Replacement/Refund



You

Their way



Re-package item



Schedule pick-up



Track package



Replacement



You
