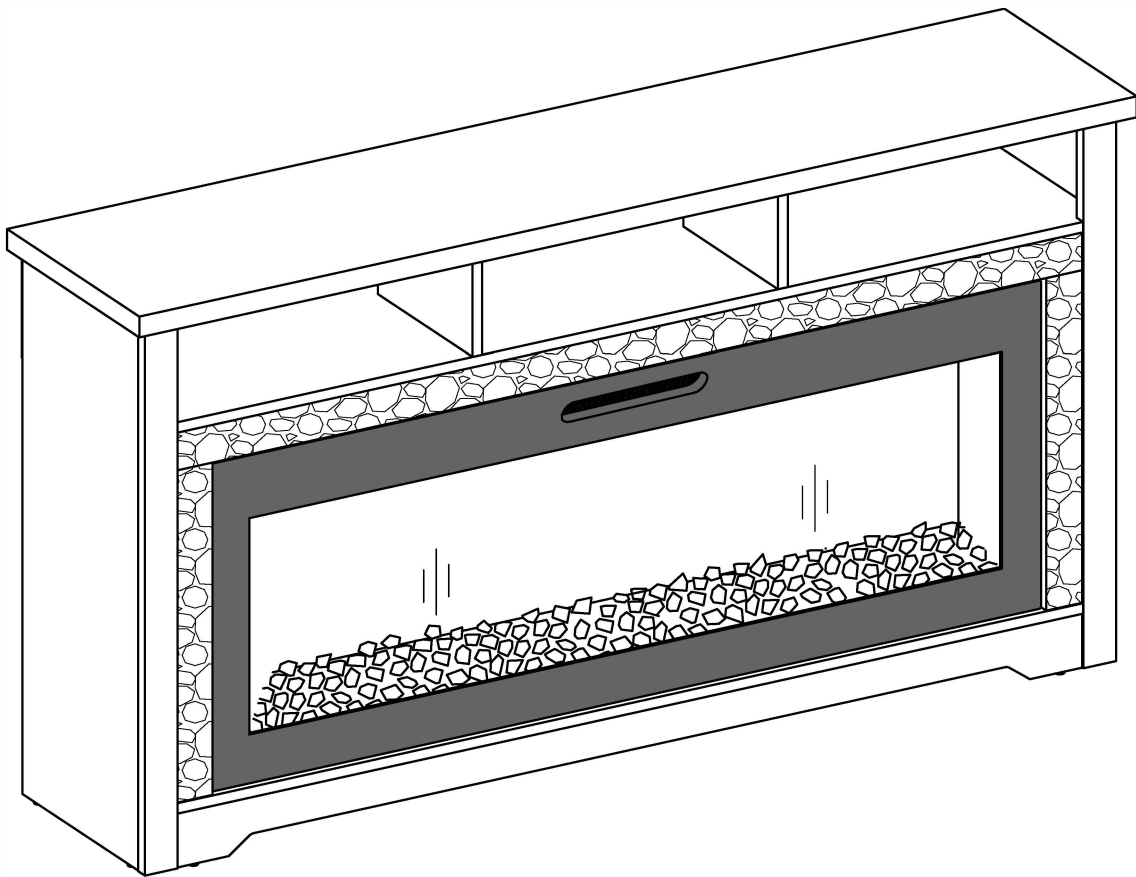


**TV STAND ENTERTAINMENT CENTER  
WITH ELECTRIC FIREPLACE  
ASSEMBLY, CARE & USE INSTRUCTIONS**



---

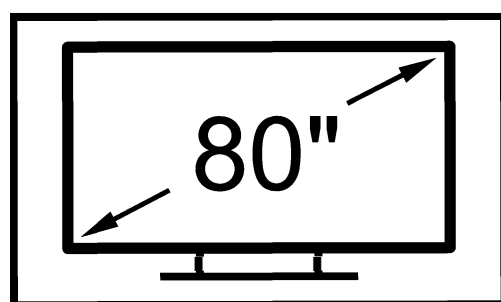
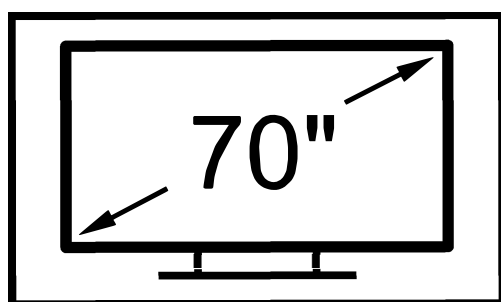
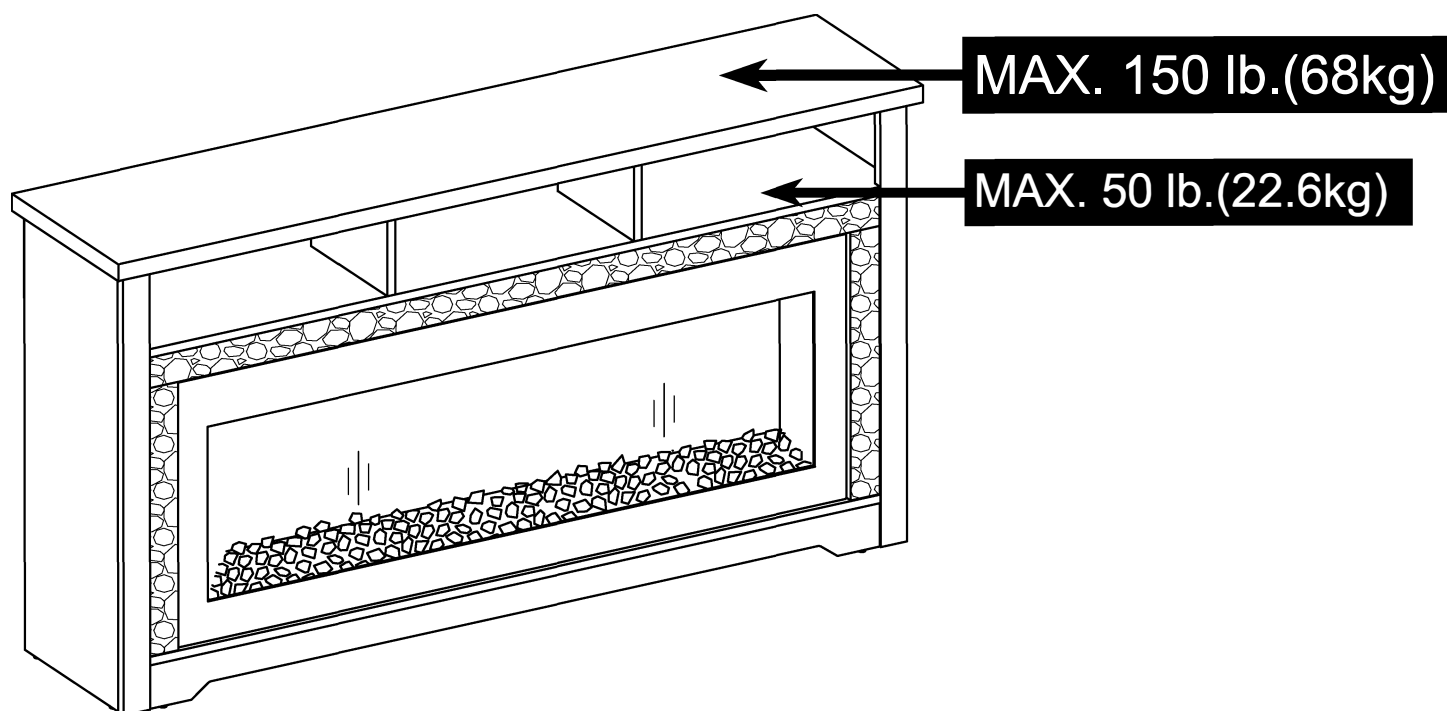
Thank you for your trust in purchasing our electric fireplace media mantel. We are committed to continuously developing quality products designed to enhance your home. For more information and to view our full range of products available for your home improvement needs.

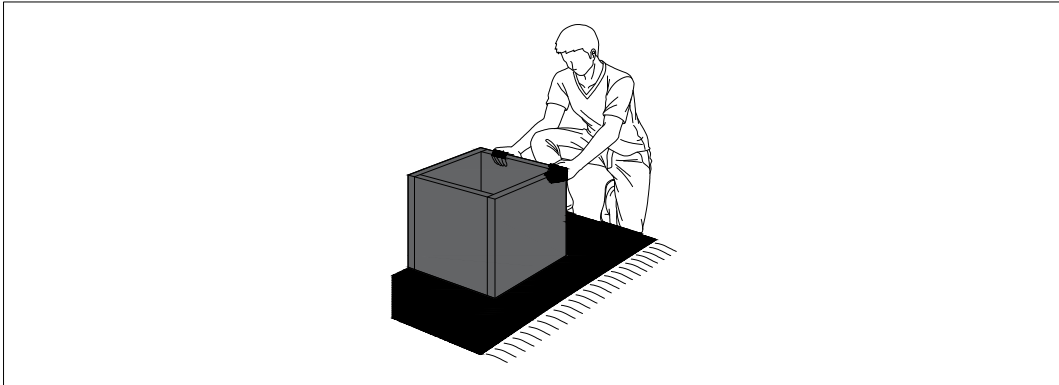
**CAUTION:** This unit is intended for use only with the products and maximum weights indicated. Use with other products or products heavier than the maximum weights indicated may result in instability causing possible injury.

Note: Flat Panel TVs with base support should be placed squarely in the center of the stand with no overhang on any side.



Weight limitations are as follows:

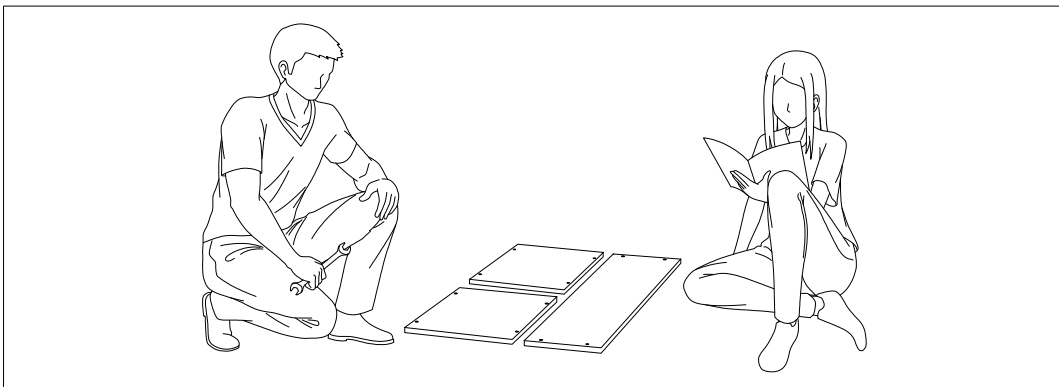




Assemble the furniture on an empty carton, carpet, or rug to prevent scratches or damage.

For safety, please keep pets and children away from the assembly area.

Ensure the product is fully assembled before use. If you are missing any hardware or products, do not use it until you have restored the missing parts.



This furniture requires 2 people for assembly.

Read this instruction manual prior to assembly to familiarize yourself with the various steps.

Lay out all components and hardware separately on a flat surface and make sure that no parts are missing or damaged before assembly. Do not destroy or discard any packaging until you are certain that you have all the necessary parts for assembly.

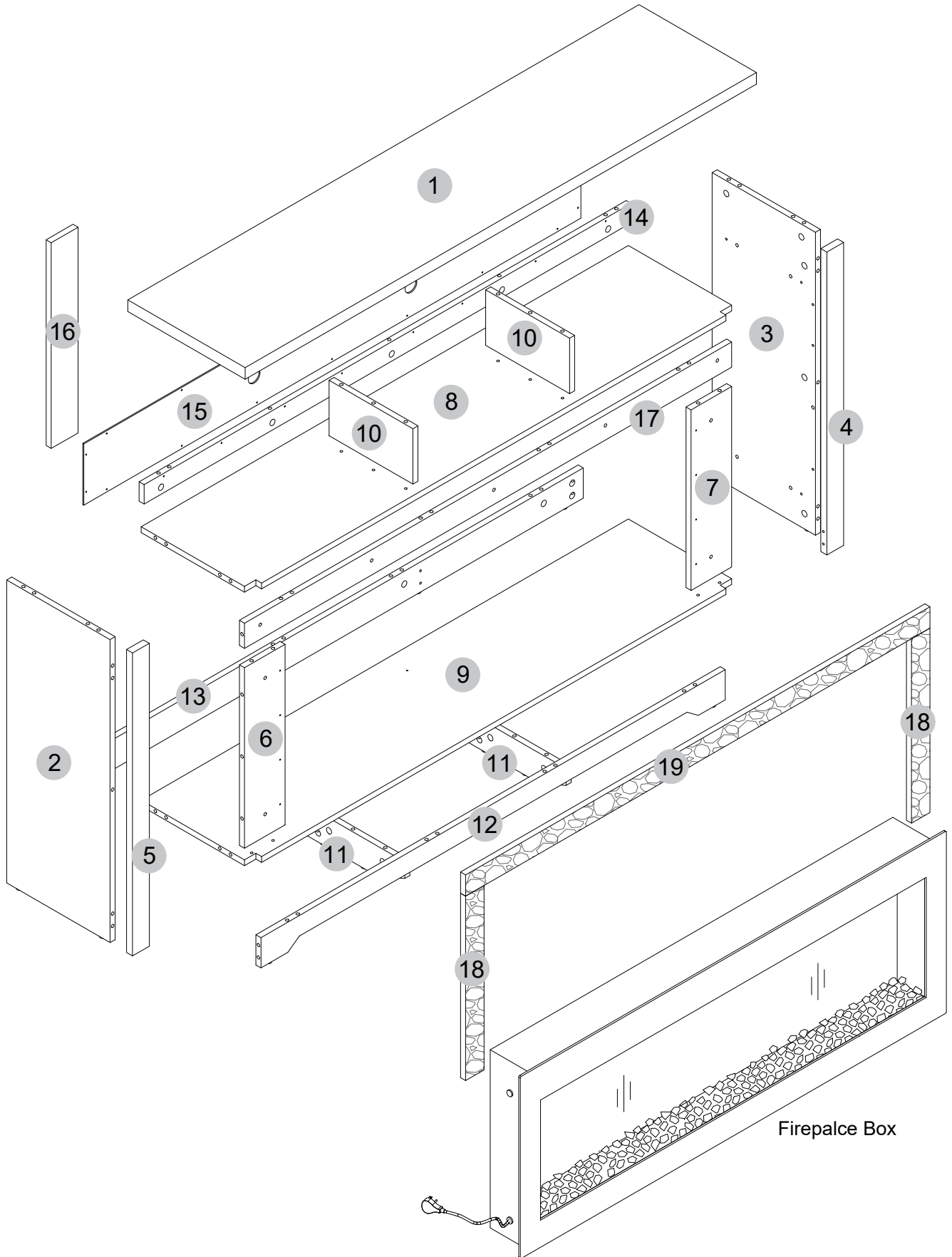
Hand tight all hardware and careful not to over tighten to avoid damaging the product.

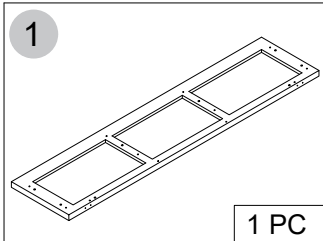
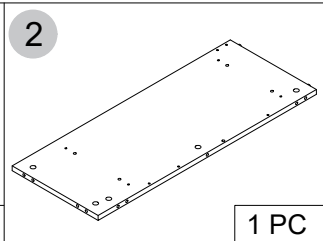
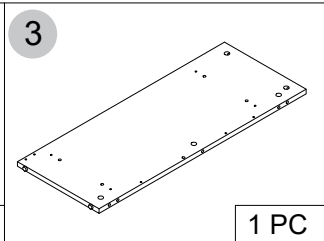
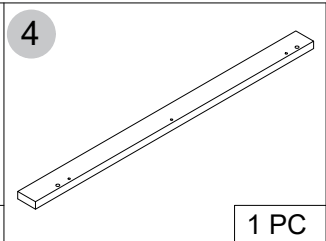
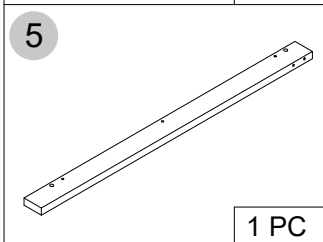
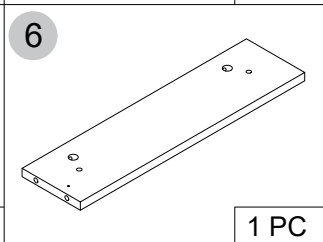
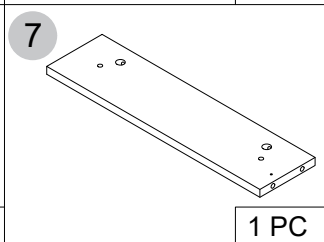
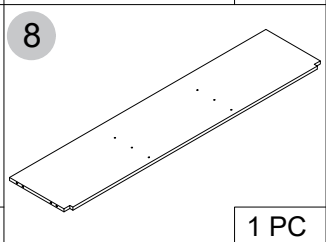
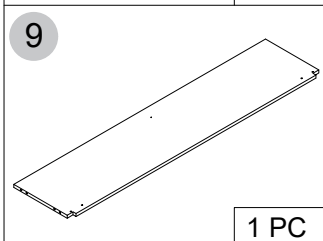
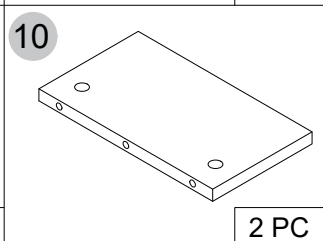
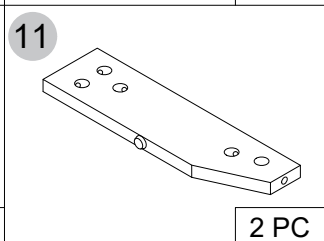
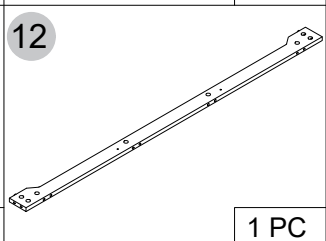
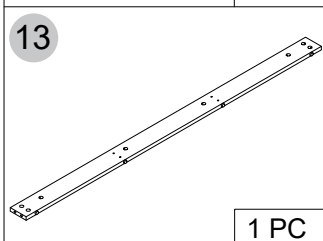
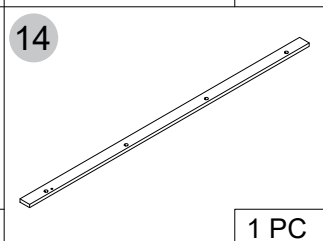
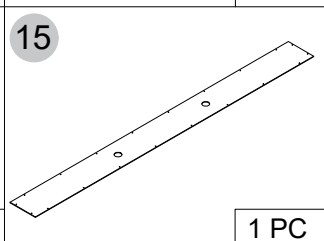
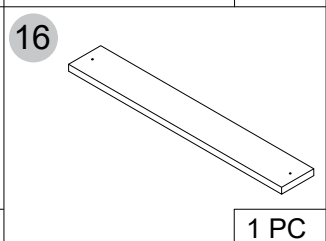
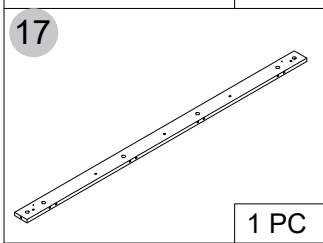
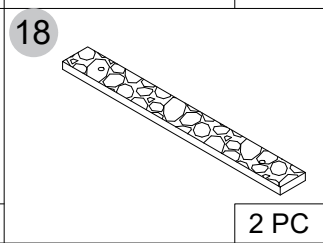
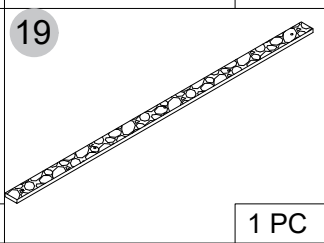
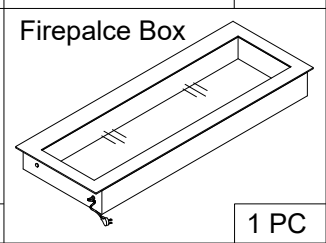
**⚠ CAUTION**

There are small components used in the construction of this product. Loose items should be kept away from pets and children to avoid a choking hazard.


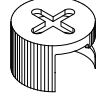

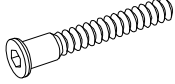
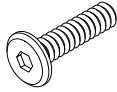
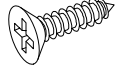
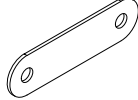
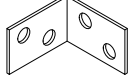
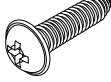



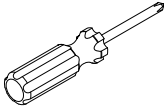
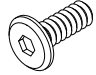
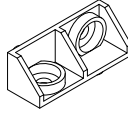
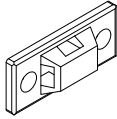
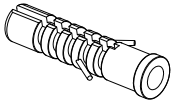
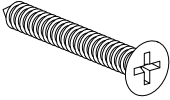

Keep all plastic bags and packaging film away from pets and children to avoid suffocation

# Parts List

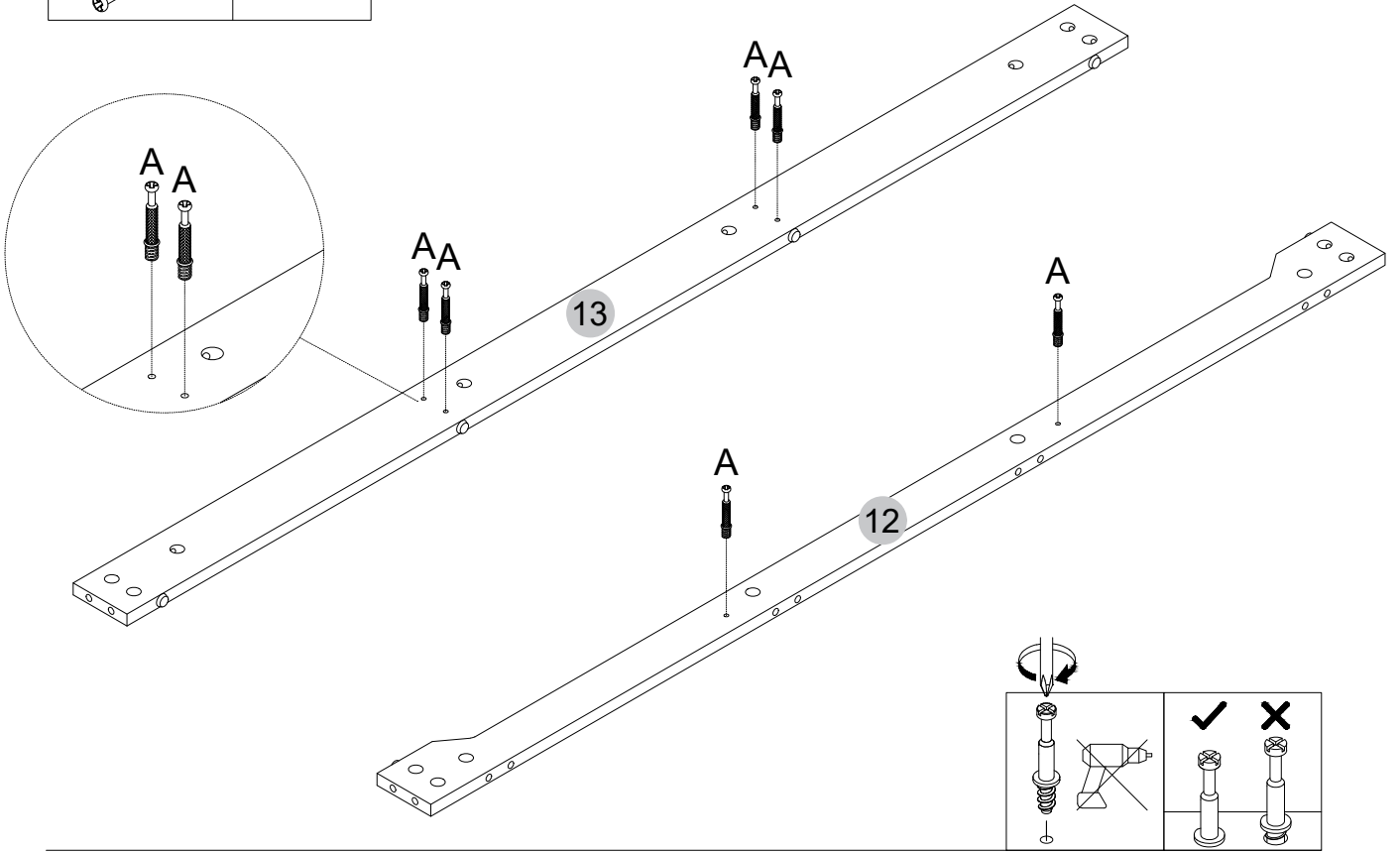
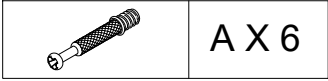


|   |   |  |  |
|---|---|--|--|
|  <p>1</p> <p>1 PC</p>    |  <p>2</p> <p>1 PC</p>    |  <p>3</p> <p>1 PC</p>    |  <p>4</p> <p>1 PC</p>               |
|  <p>5</p> <p>1 PC</p>    |  <p>6</p> <p>1 PC</p>    |  <p>7</p> <p>1 PC</p>    |  <p>8</p> <p>1 PC</p>               |
|  <p>9</p> <p>1 PC</p>   |  <p>10</p> <p>2 PC</p>  |  <p>11</p> <p>2 PC</p>  |  <p>12</p> <p>1 PC</p>             |
|  <p>13</p> <p>1 PC</p> |  <p>14</p> <p>1 PC</p> |  <p>15</p> <p>1 PC</p> |  <p>16</p> <p>1 PC</p>            |
|  <p>17</p> <p>1 PC</p> |  <p>18</p> <p>2 PC</p> |  <p>19</p> <p>1 PC</p> |  <p>Firepalce Box</p> <p>1 PC</p> |

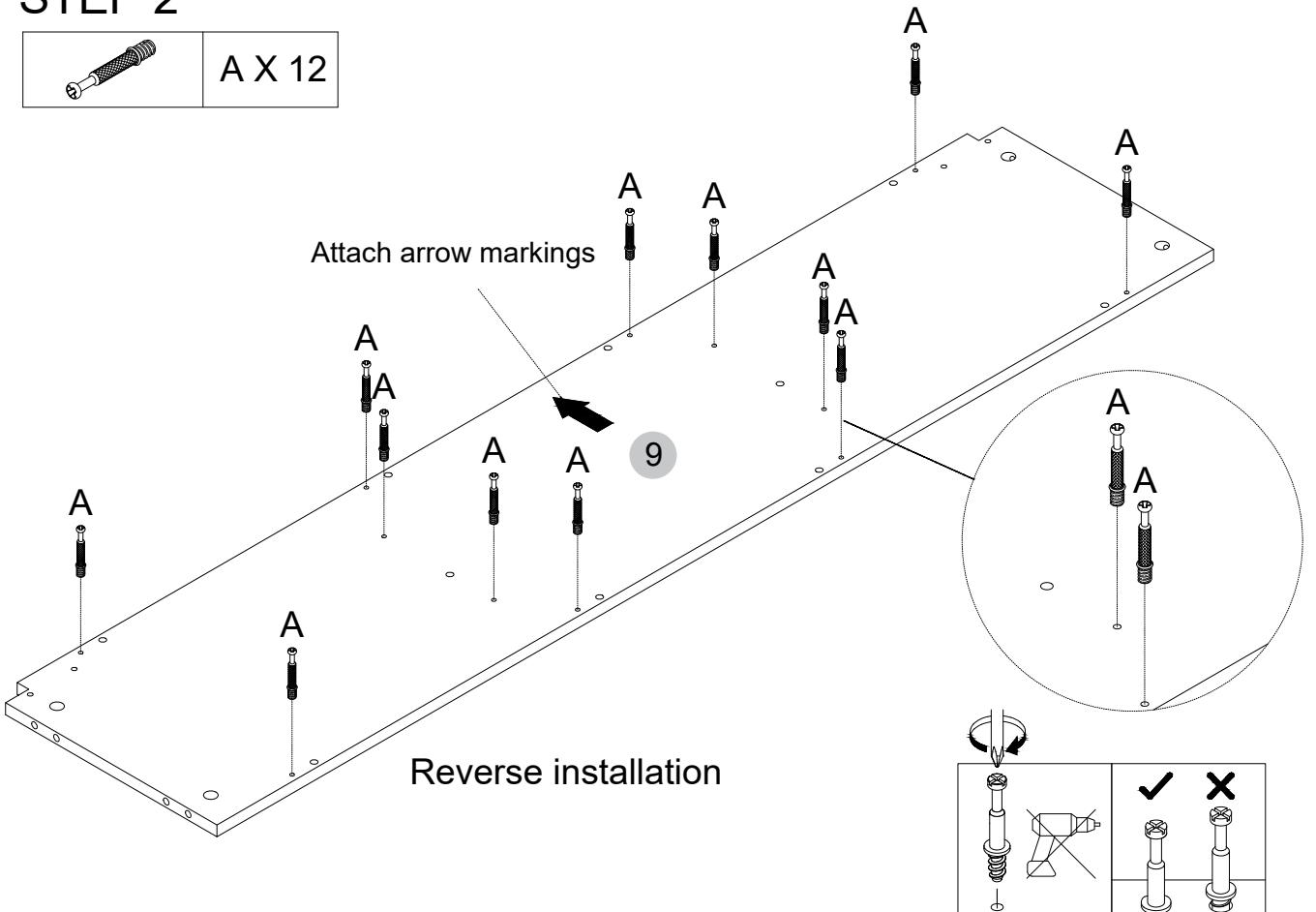
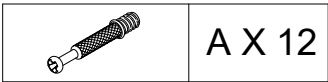
## Hardware List

|  |  |  |  |
|--|--|--|--|
| <br><b>A</b> 62+6 PCS                               | $\text{Ø}15*10\text{MM}$<br><br><b>B</b> 62+6 PCS | $\text{Ø}8*30\text{MM}$<br><br><b>C</b> 44+4 PCS | $\text{Ø}5*48\text{MM}$<br><br><b>D</b> 8 PCS |
| $\text{Ø}6*25\text{MM}$<br><br><b>E</b> 9 PCS       | $\text{Ø}3.0*14\text{MM}$<br><br><b>F</b> 18+1PCS | $45*12*1.5\text{MM}$<br><br><b>G</b> 2 PCS       | $25*25*16*1\text{MM}$<br><br><b>H</b> 2 PCS   |
| $\text{Ø}3.5*14\text{MM}$<br><br><b>I</b> 18+1 PCS | Rubber cover<br><br><b>J</b> 10 PCS              | M3<br><br><b>K</b> 1 PCS                        | M4<br><br><b>L</b> 1PCS                      |
| <br><b>M</b> 1 PCS                                | $\text{Ø}6*10\text{MM}$<br><br><b>N</b> 8 PCS   | $57*20*20\text{mm}$<br><br><b>O</b> 4 PCS      |  |
| <b>P</b><br><br>4 PCS                             | <br>4 PCS                                       | $\text{Ø}4*35\text{mm}$<br><br>4 PCS            | <br>2 PCS                                   |



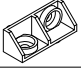
# STEP 1

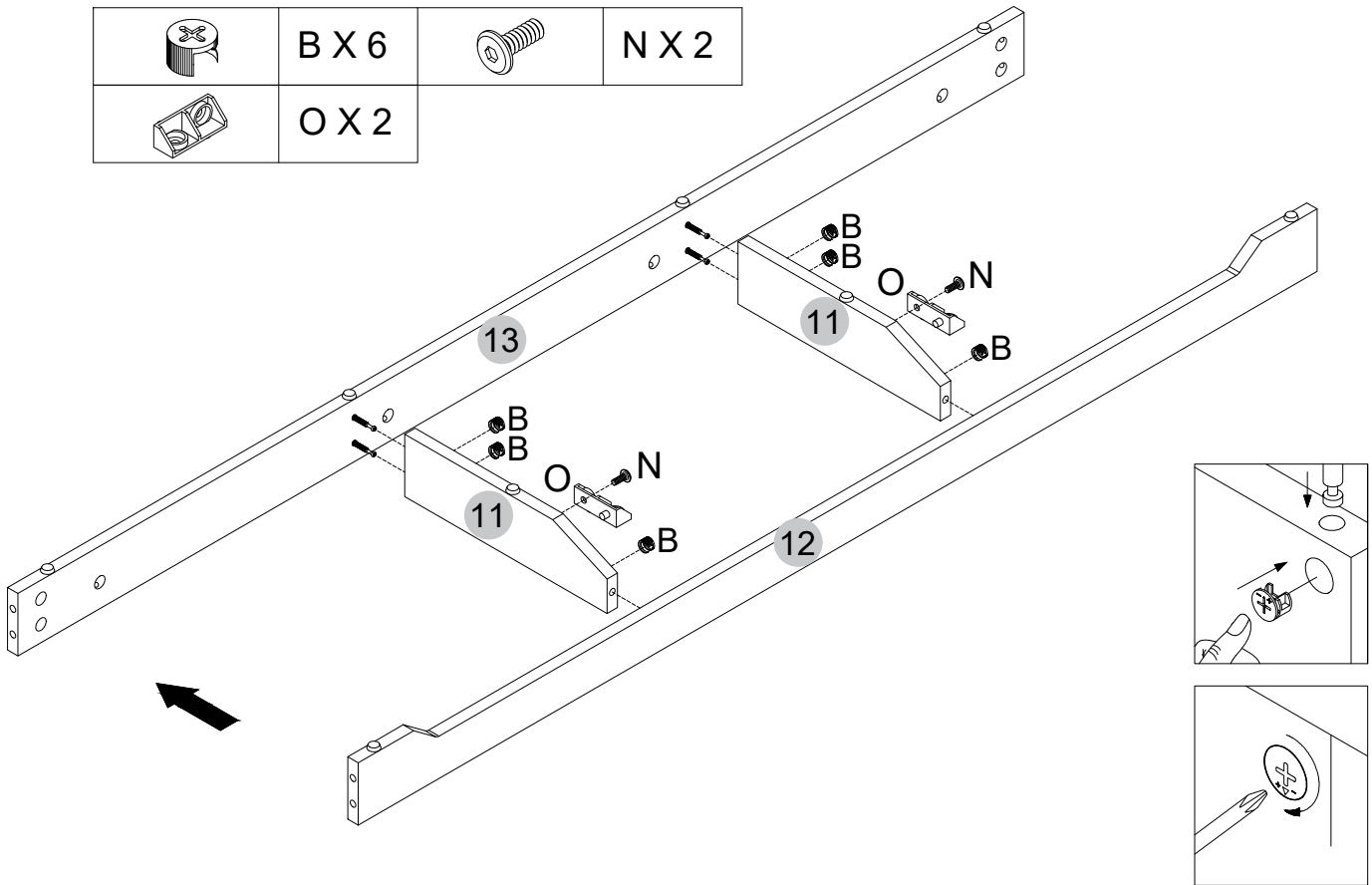


# STEP 2


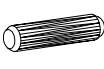


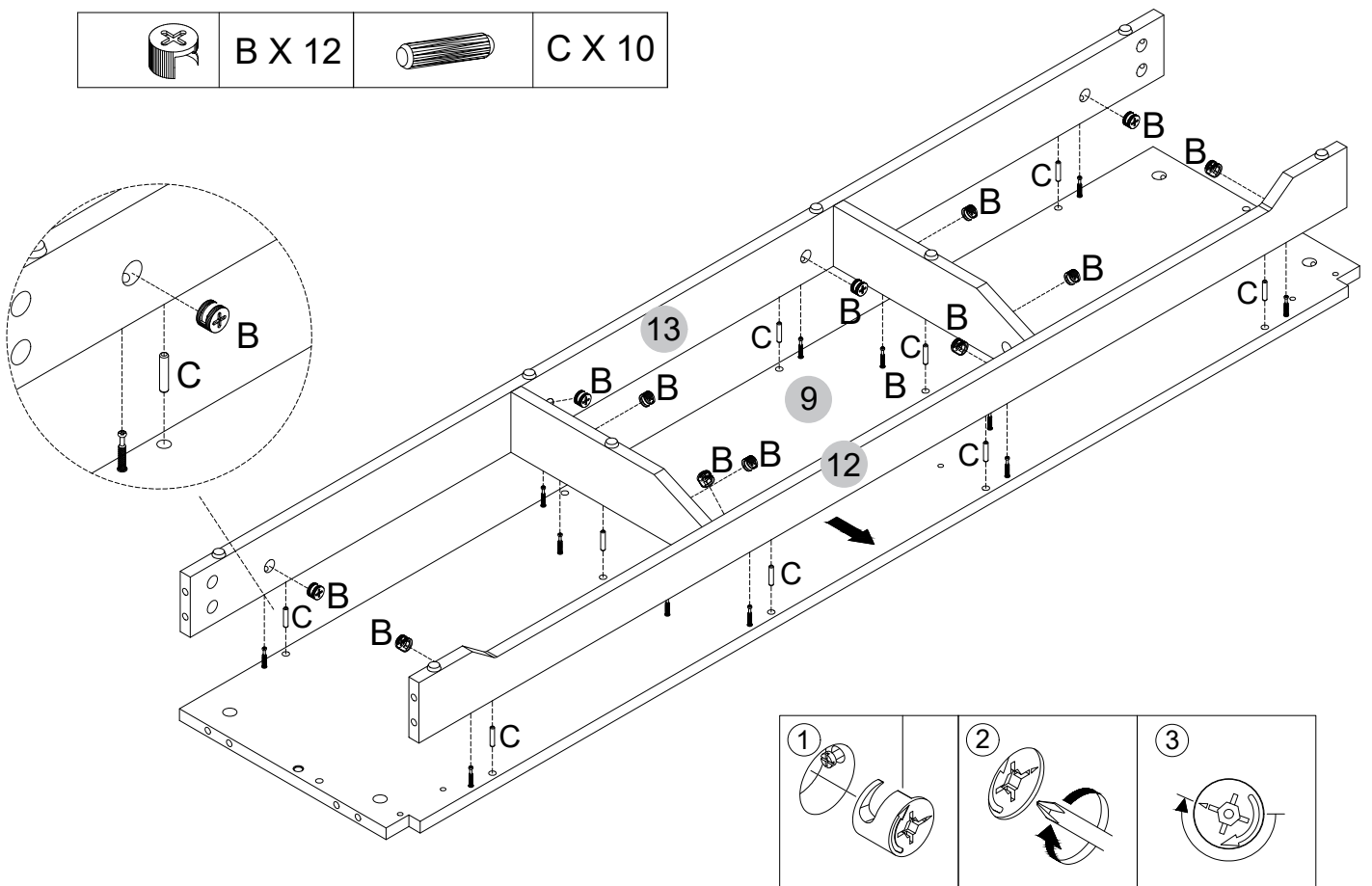
## STEP 3

|   |       |   |       |
|---|-------|---|-------|
|  | B X 6 |  | N X 2 |
|  | O X 2 |   |       |



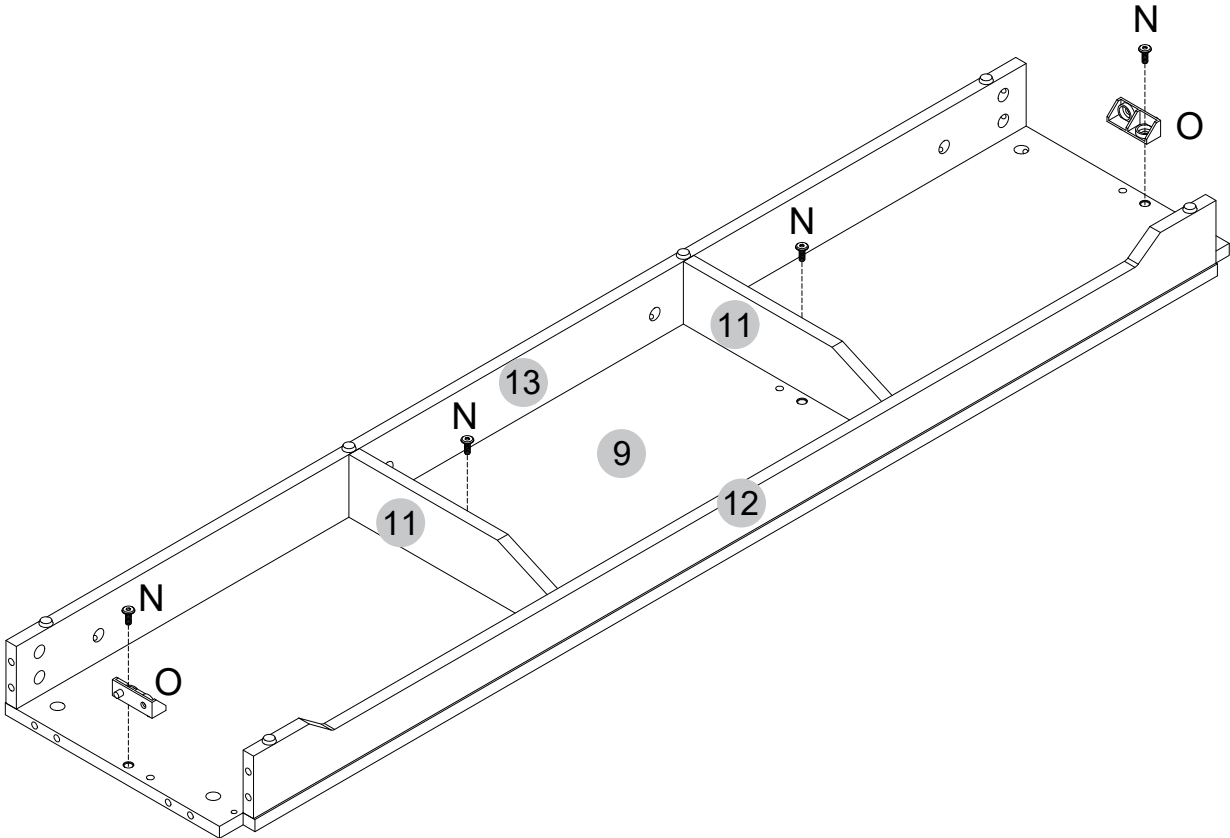
## STEP 4

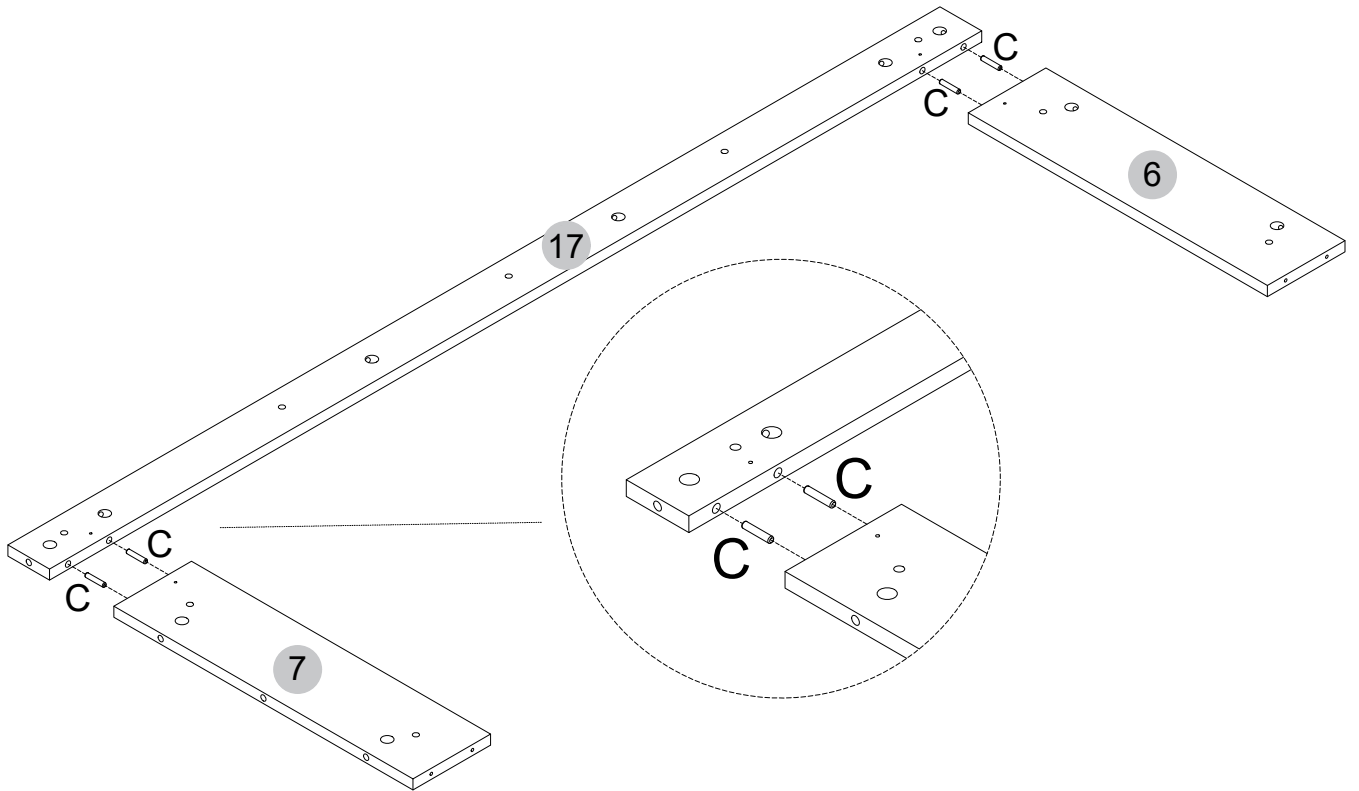
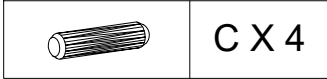
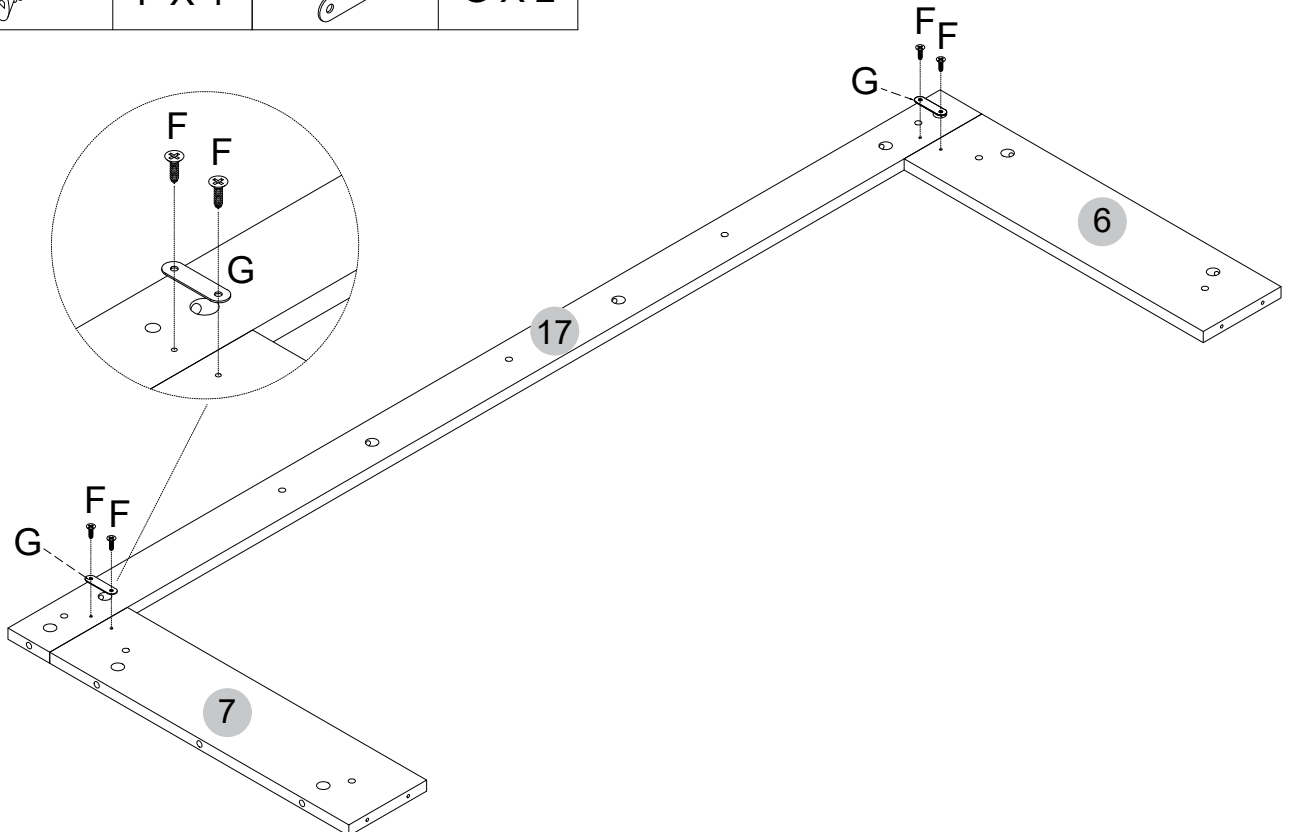
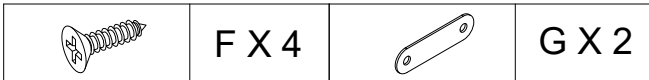
|   |        |   |        |
|---|--------|---|--------|
|  | B X 12 |  | C X 10 |
|---|--------|---|--------|



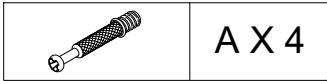
# STEP 5

|   |       |   |       |
|---|-------|---|-------|
|  | N X 4 |  | O X 2 |
|---|-------|---|-------|



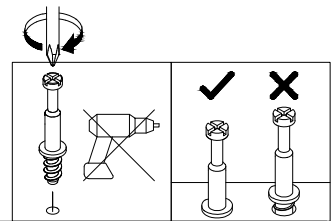
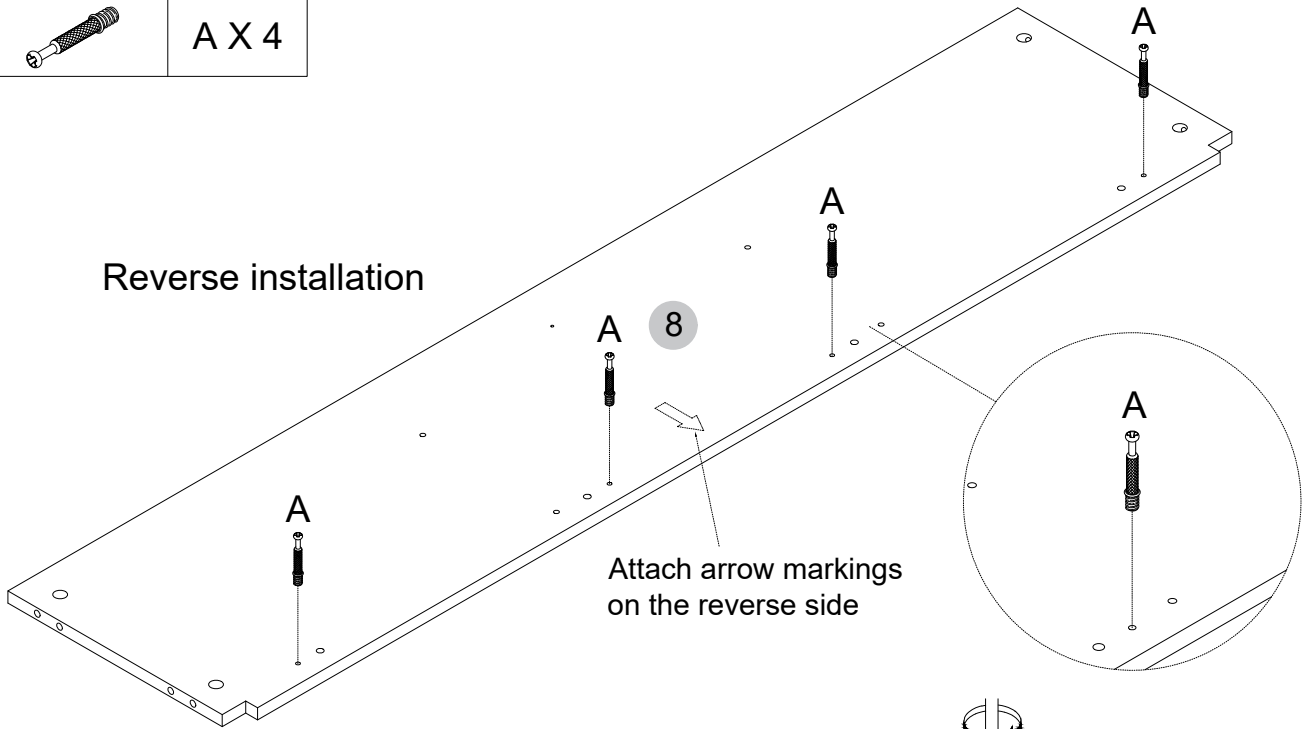
**STEP 6****STEP 7**

# STEP 8



A X 4

Reverse installation



# STEP 9



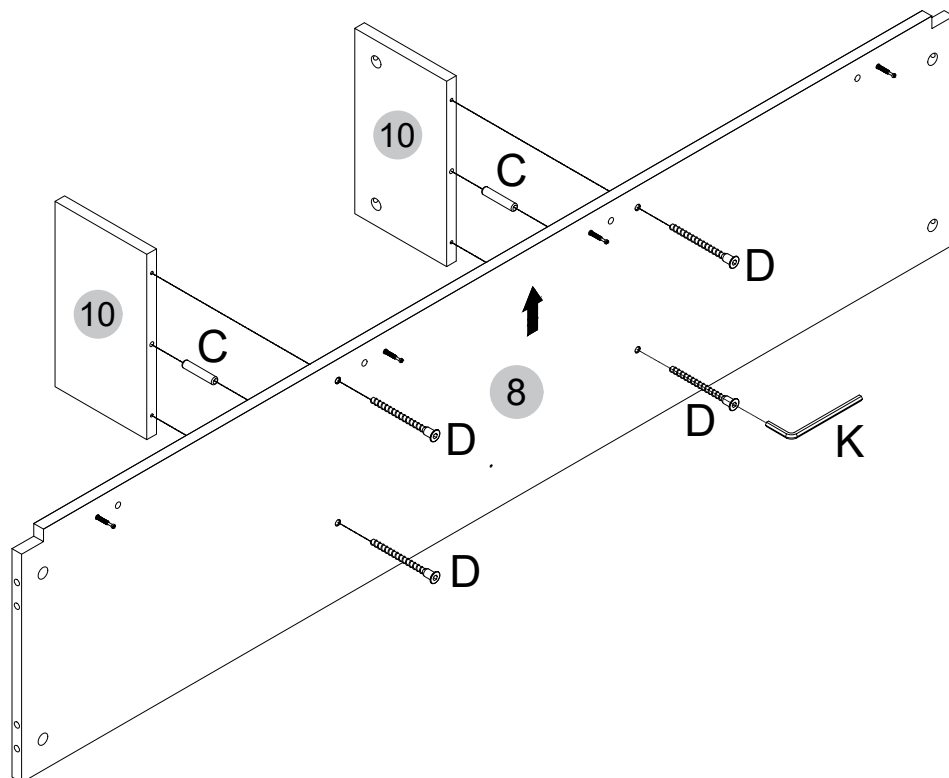
D X 4





C X 2

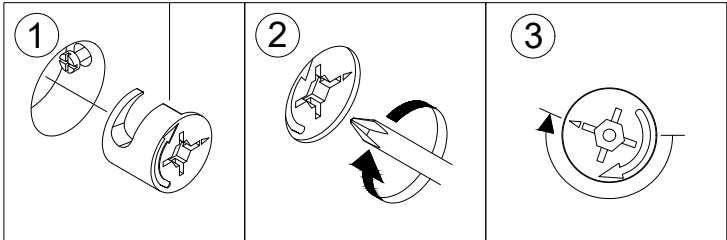
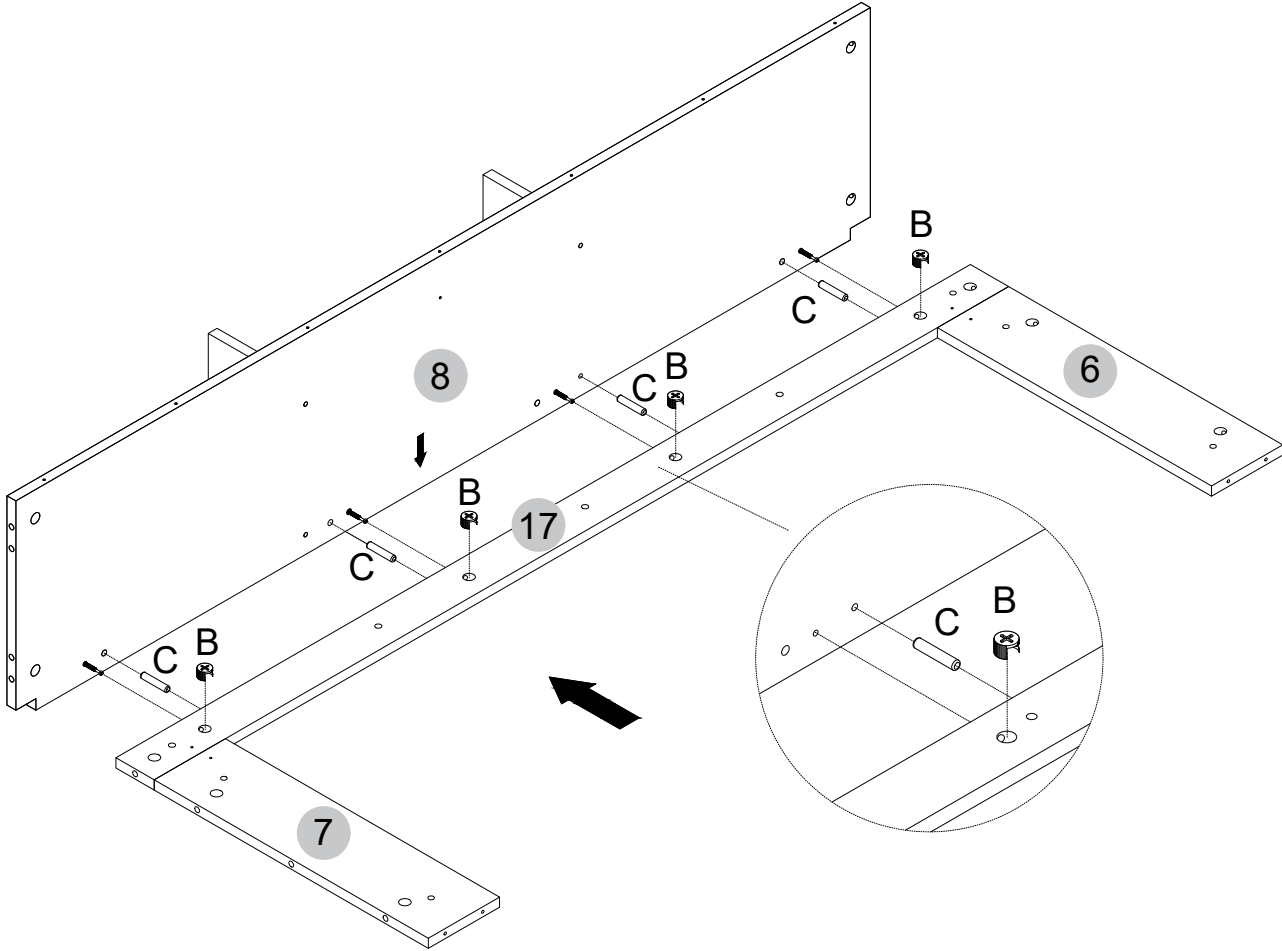


K

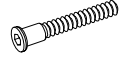



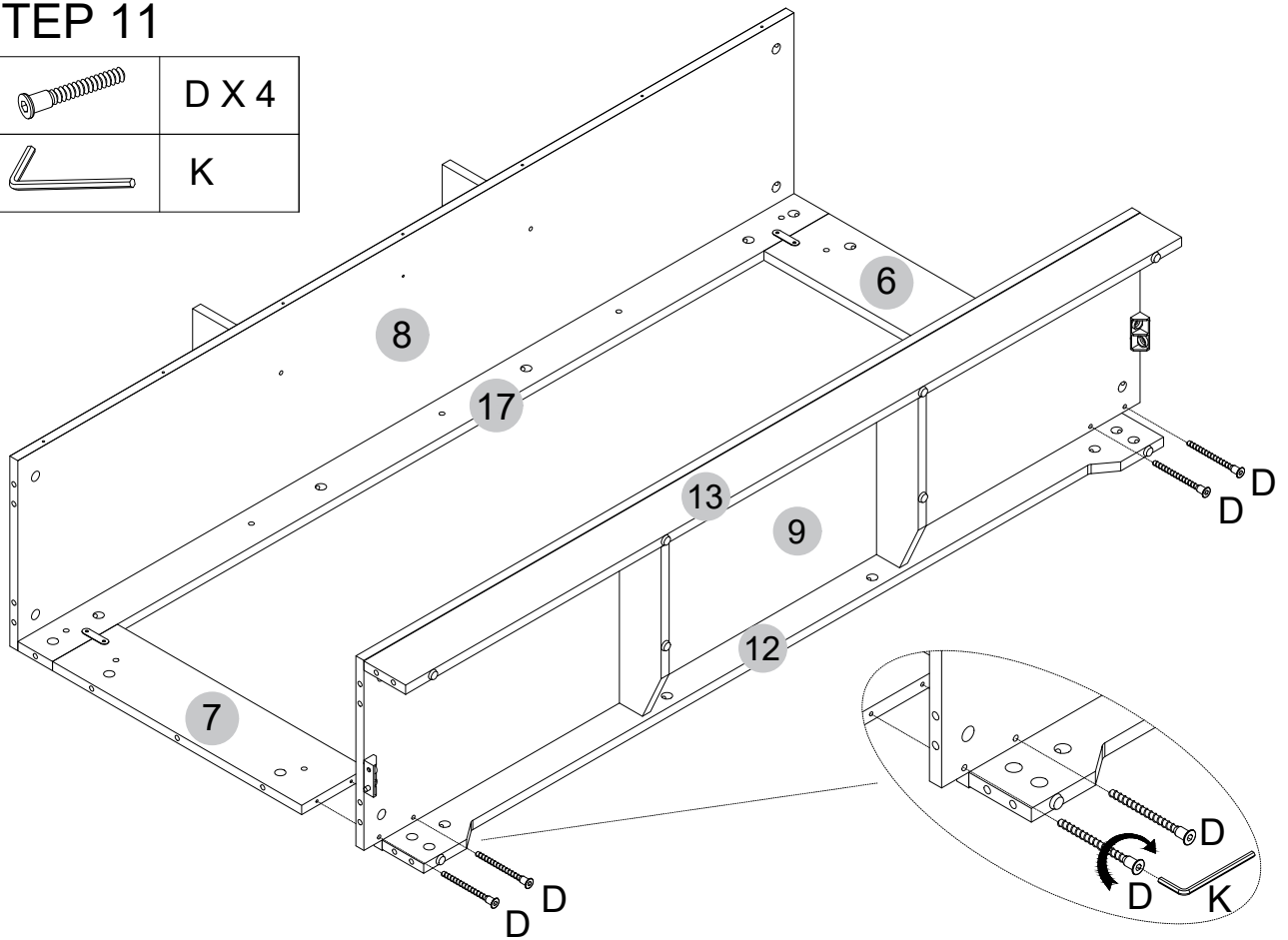
# STEP 10

|   |       |   |       |
|---|-------|---|-------|
|  | B X 4 |  | C X 4 |
|---|-------|---|-------|




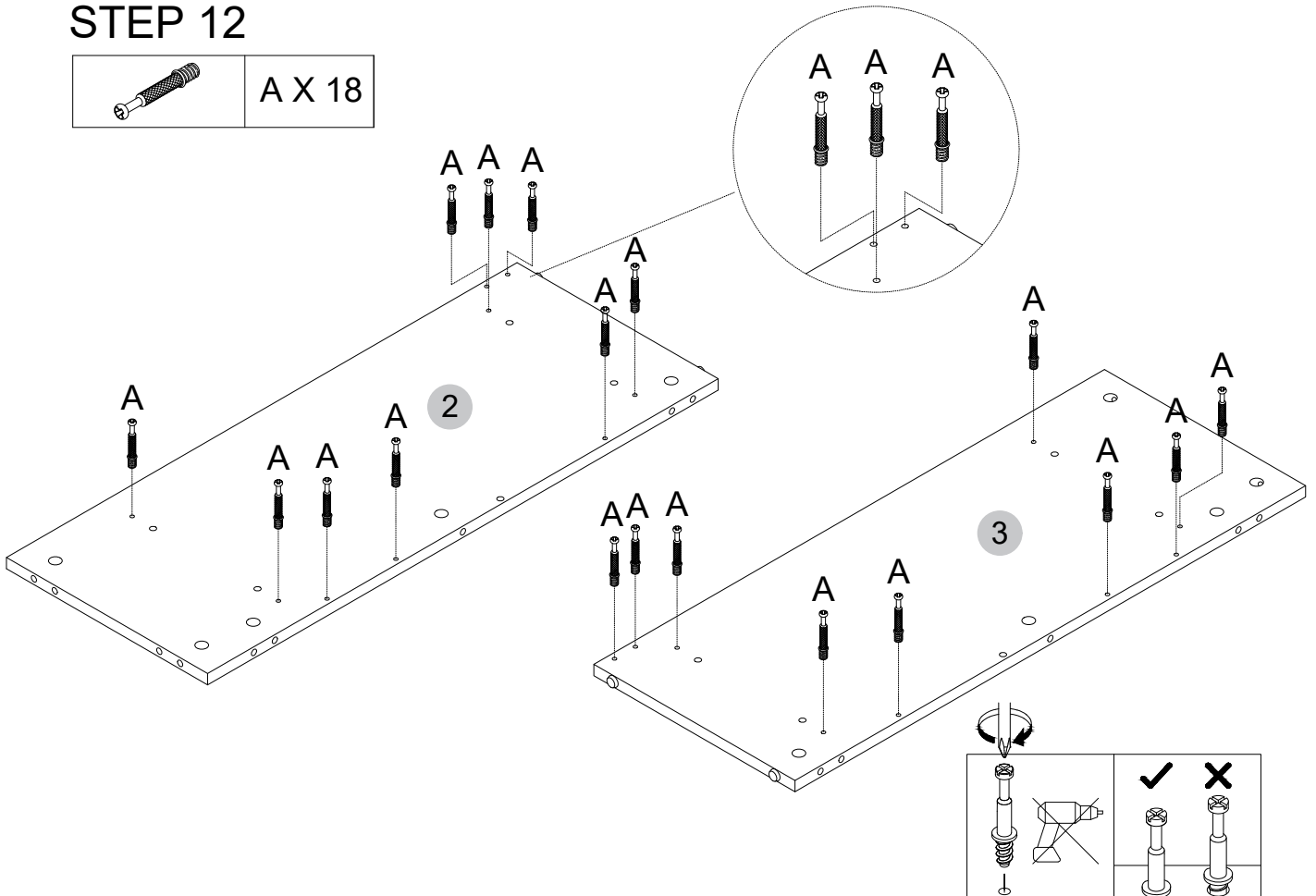
### STEP 11

|   |     |
|---|-----|
|  | DX4 |
|  | K   |

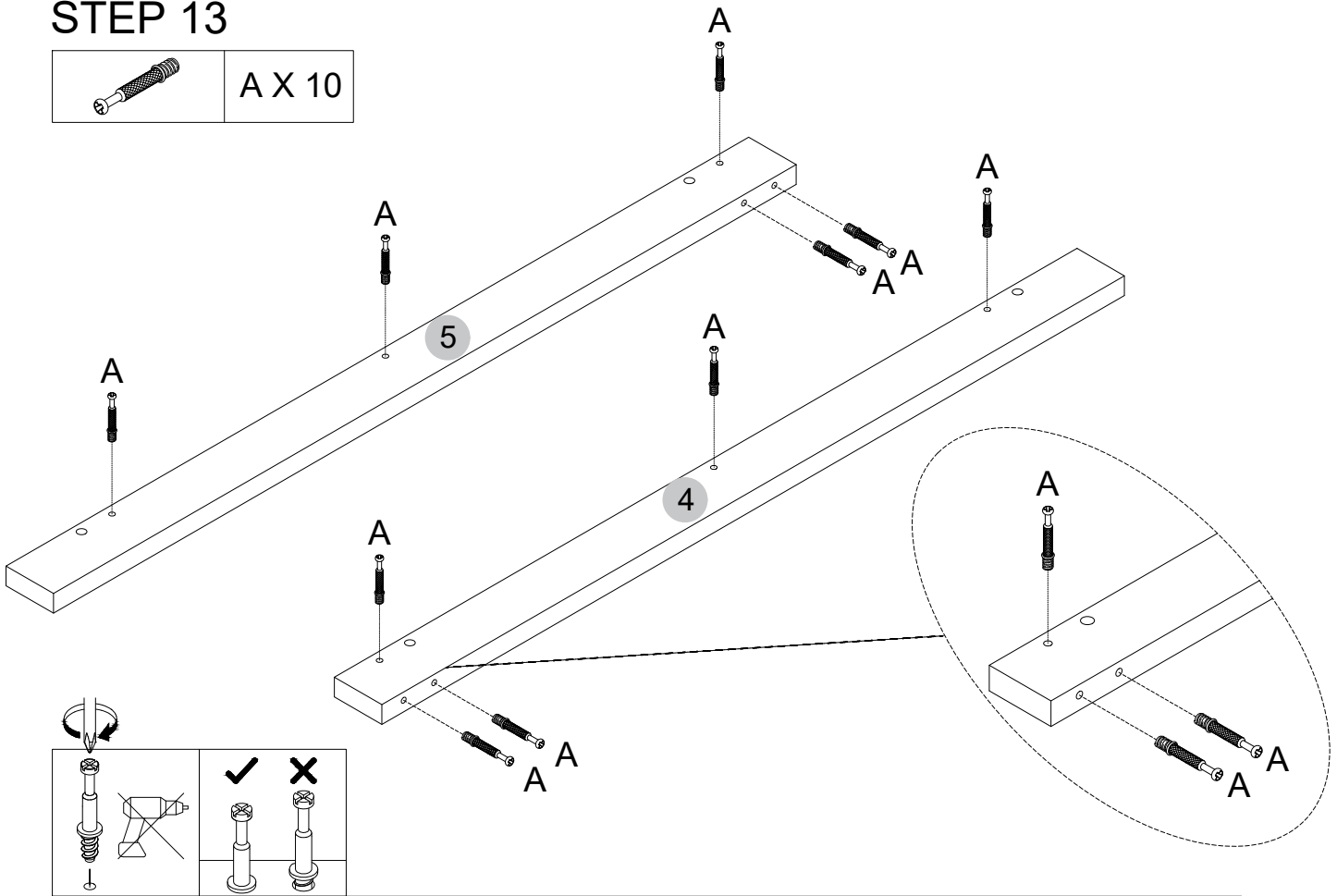
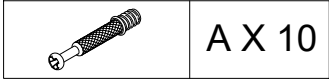


### STEP 12

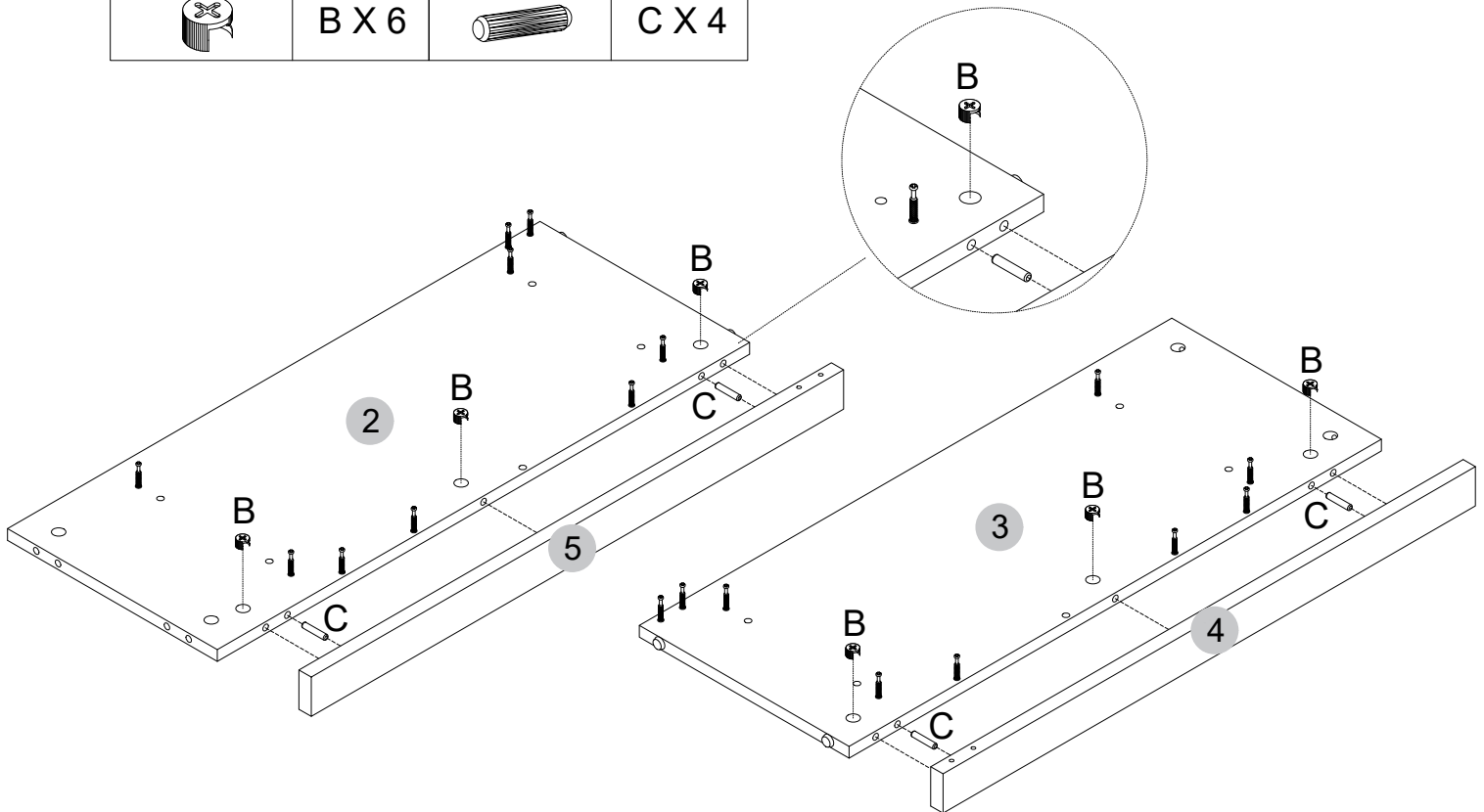
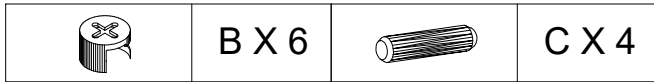
|   |        |
|---|--------|
|  | A X 18 |
|---|--------|






### STEP 13

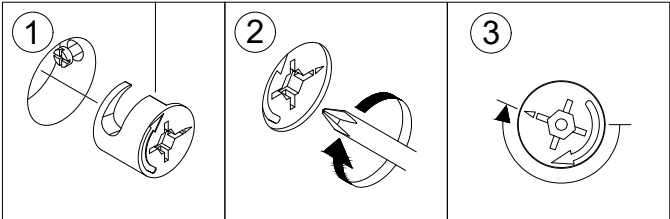
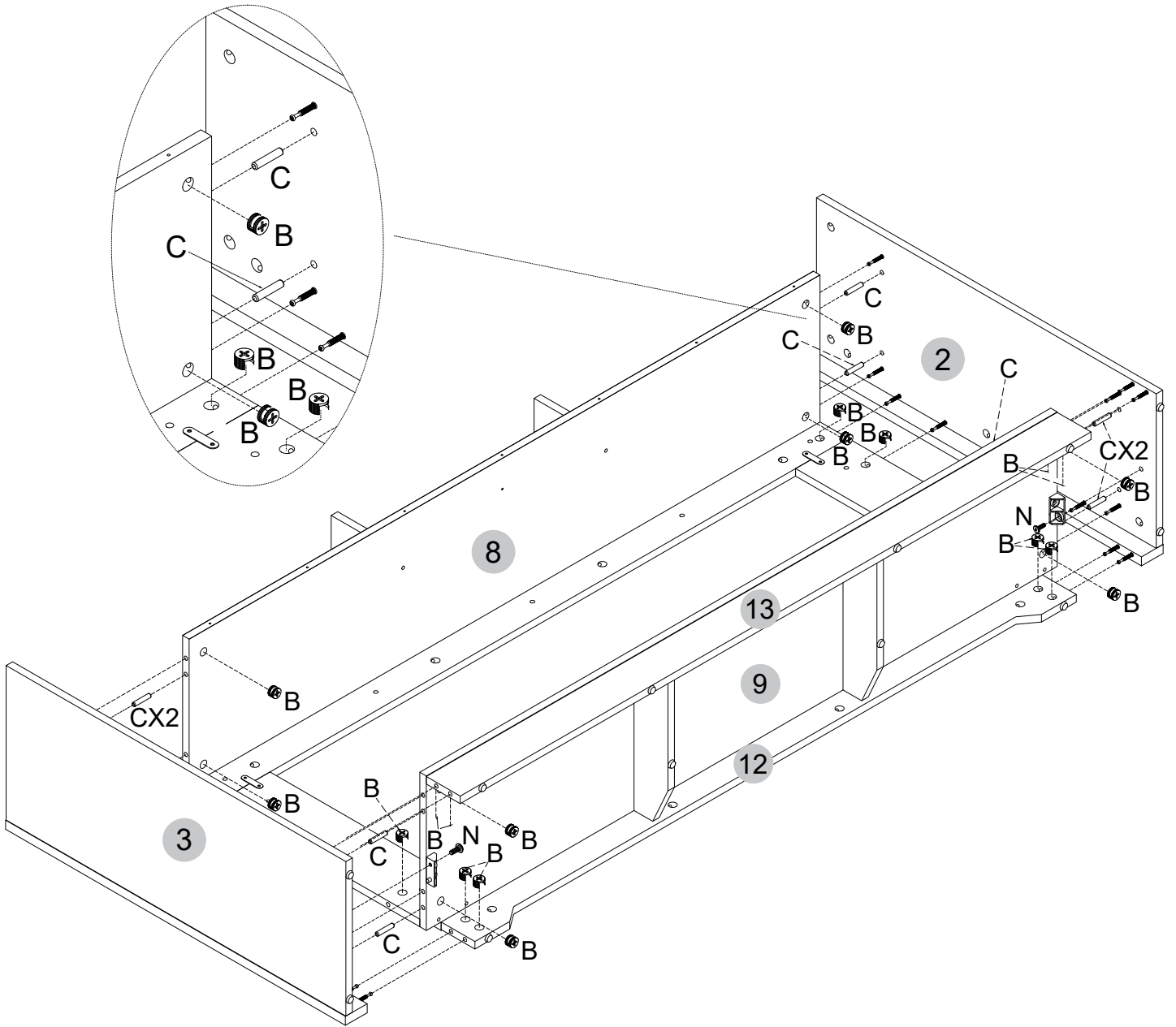


### STEP 14

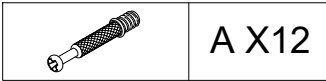


# STEP 15

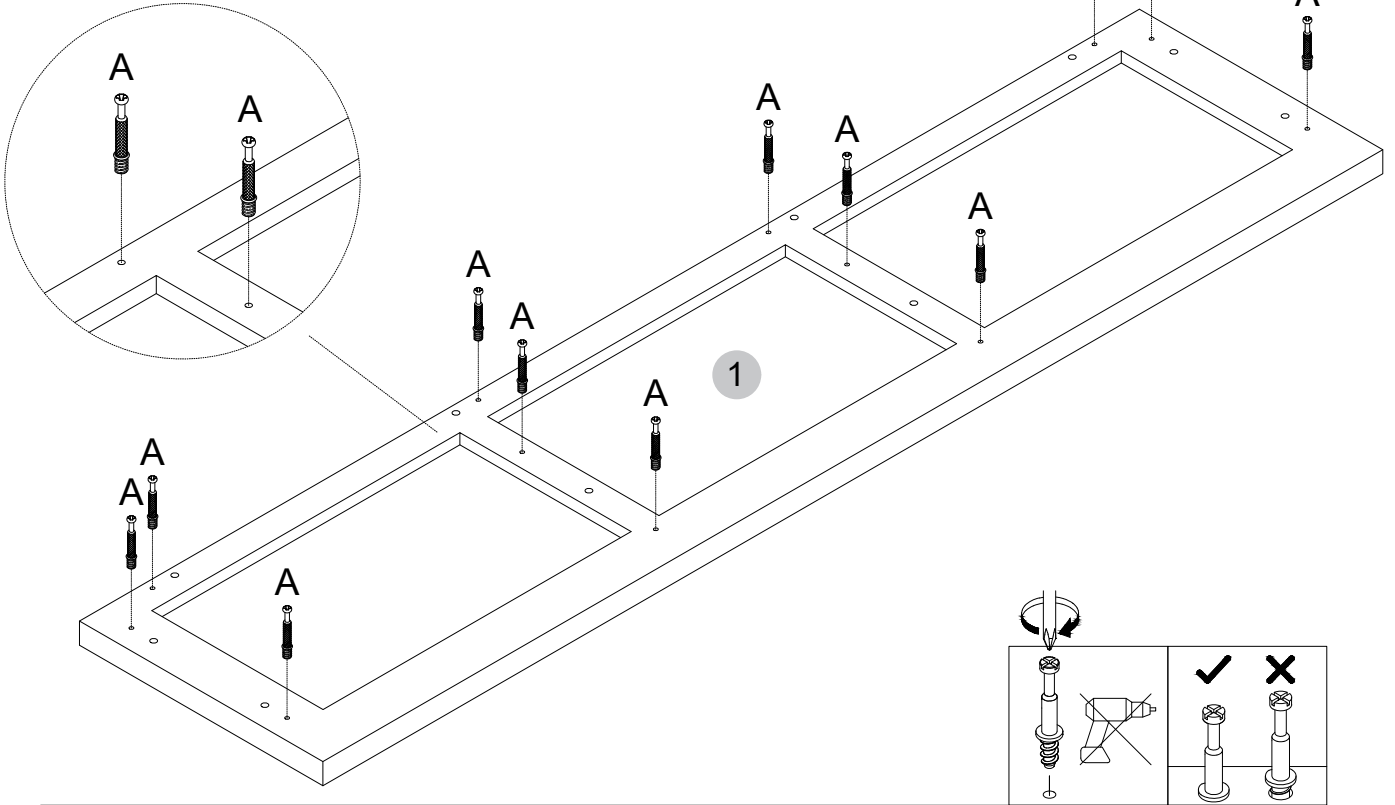
|   |        |   |        |   |       |
|---|--------|---|--------|---|-------|
|  | B X 22 |  | C X 10 |  | N X 2 |
|---|--------|---|--------|---|-------|



# STEP 16



A X12

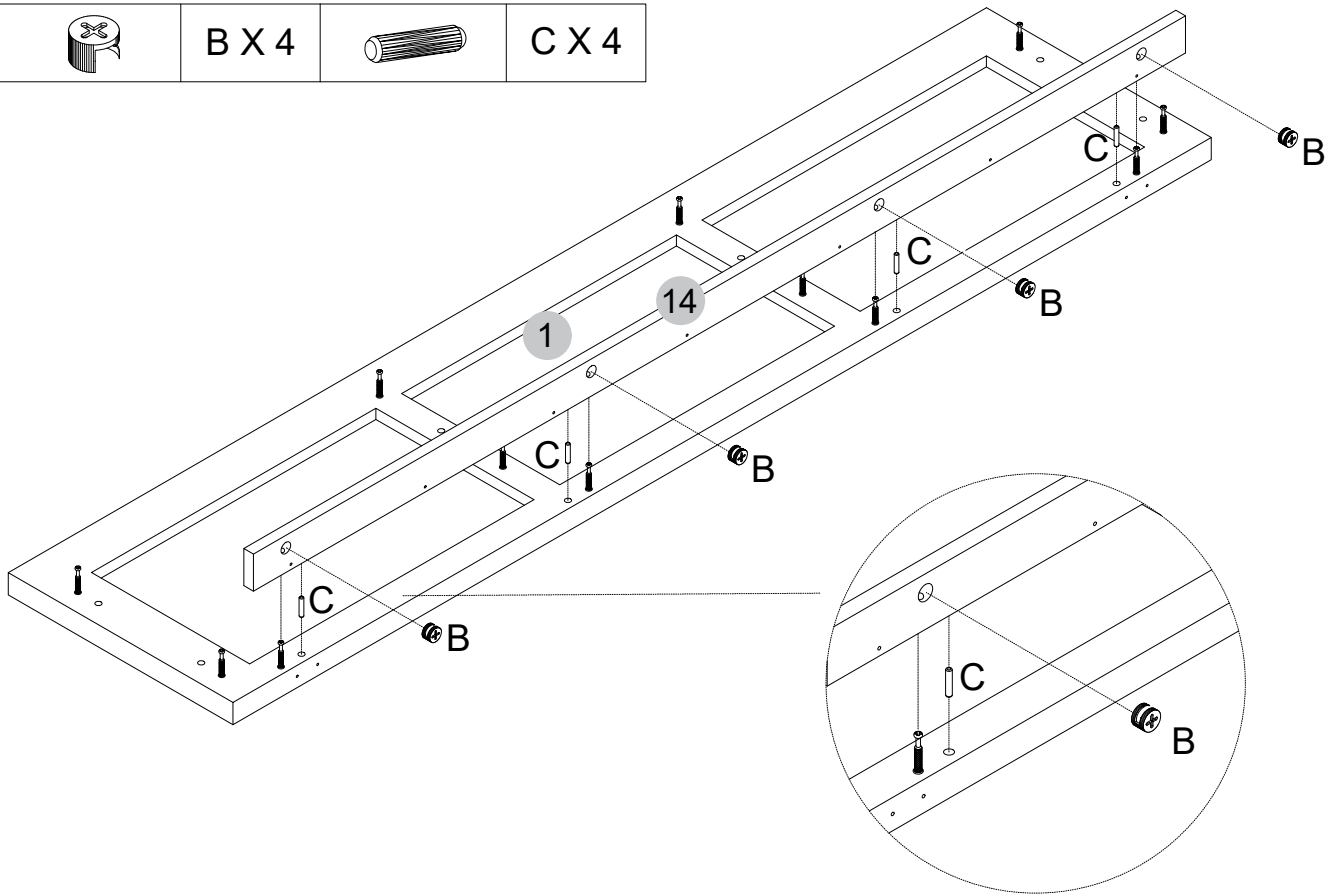


# STEP 17





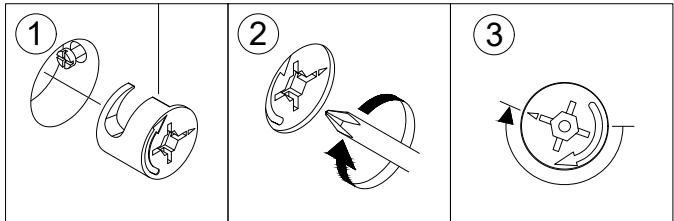
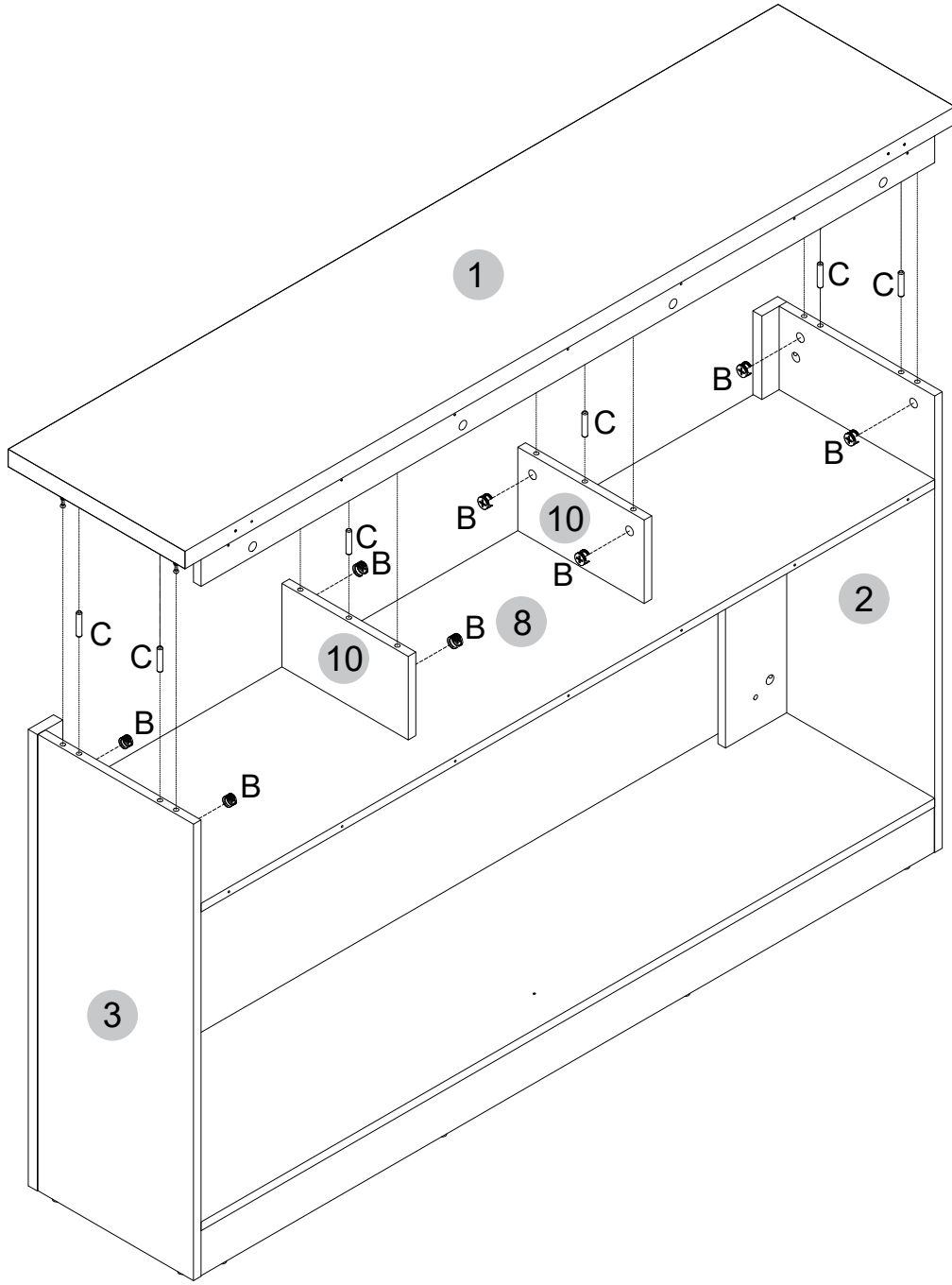
B X4

C X4

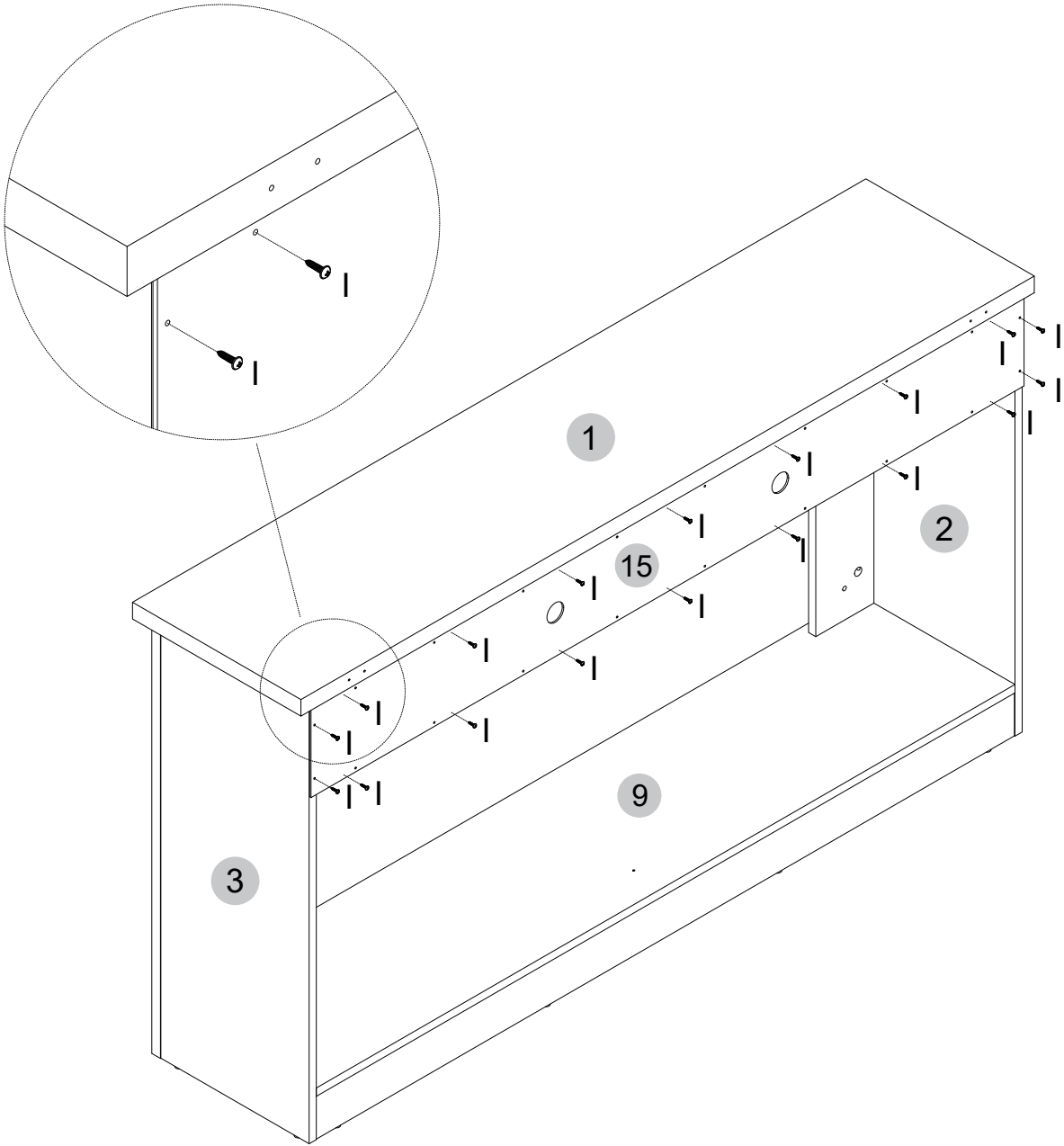


# STEP 18

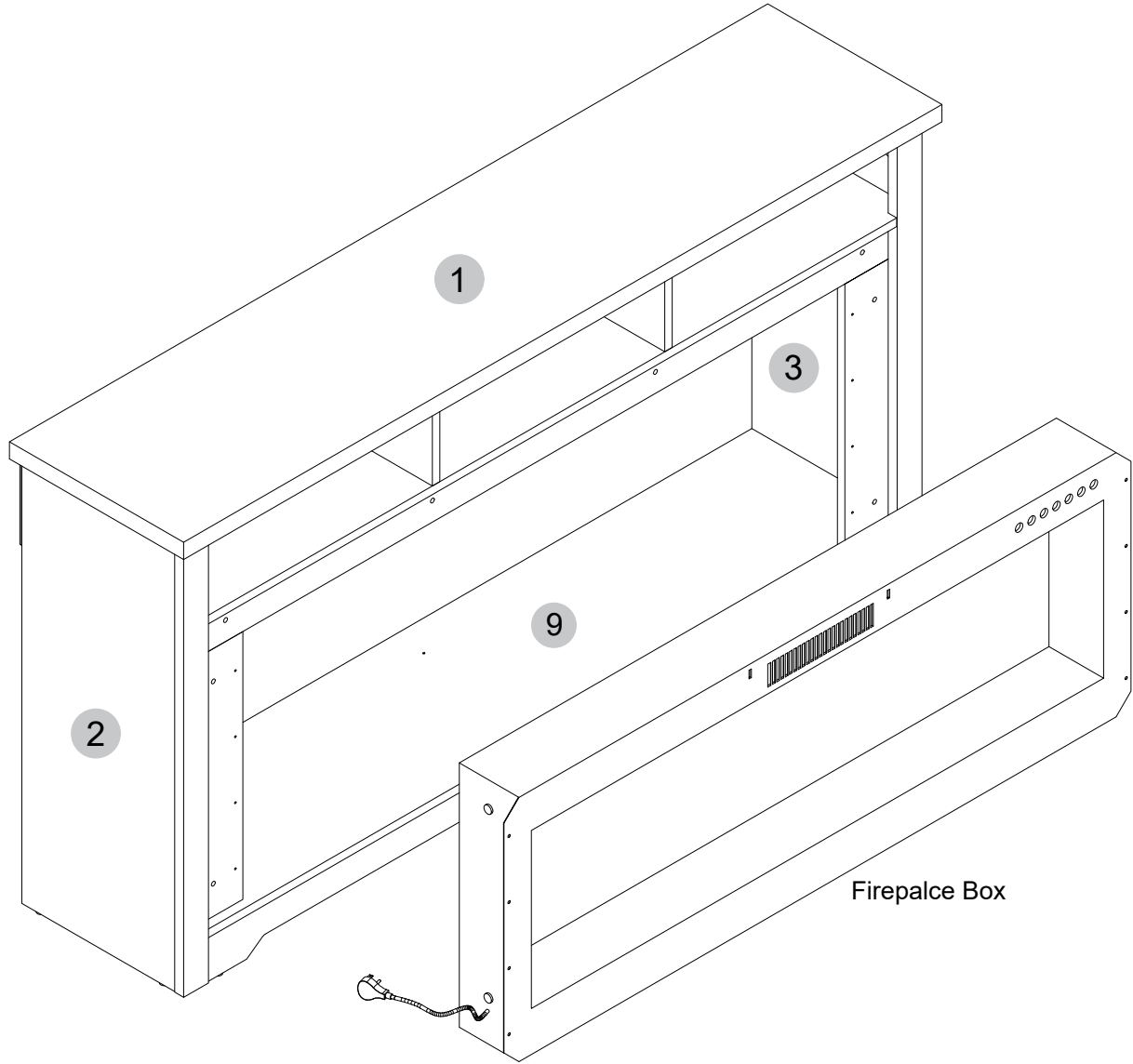
|   |       |   |       |
|---|-------|---|-------|
|  | B X 8 |  | C X 6 |
|---|-------|---|-------|



# STEP 19

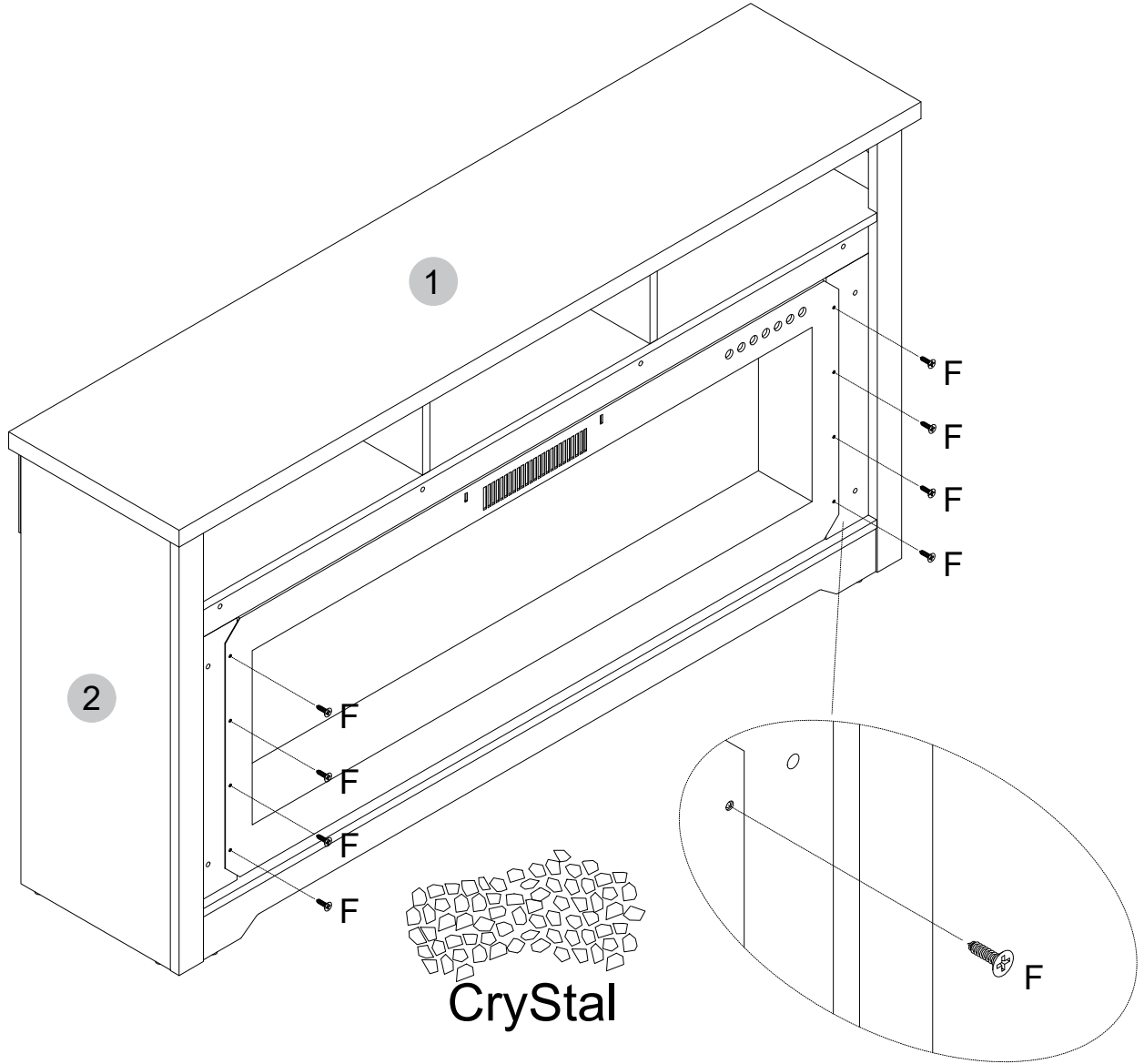


STEP 20



**Kindly Reminder:**  
The installation of Fireplace,  
Please refer to the instruction  
of Firepalce, thanks!

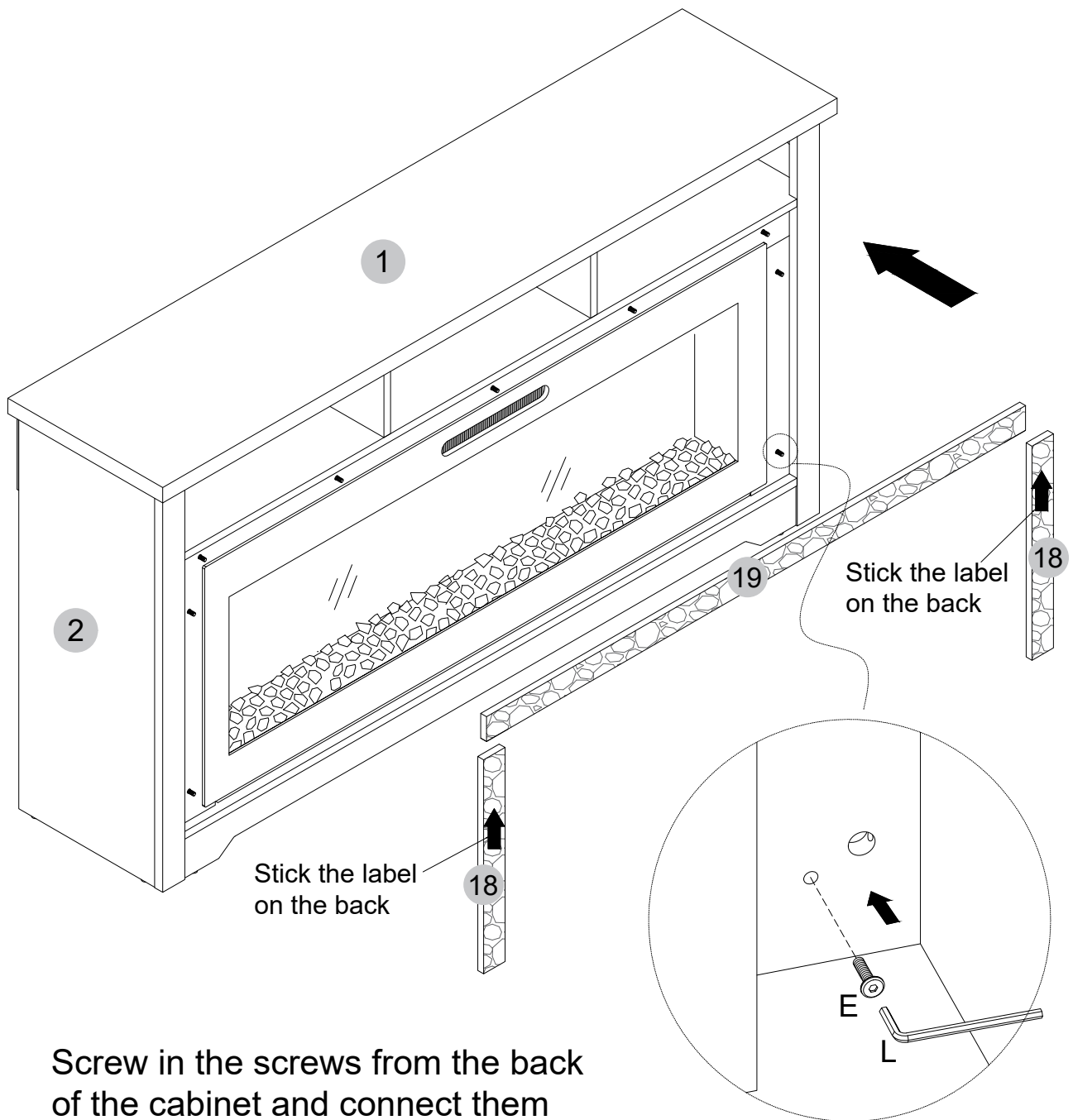
# STEP 21



Kindly Reminder:  
The installation of Fireplace,  
Please refer to the instruction  
of Firepalce, thanks!

## STEP 22

|   |     |   |   |
|---|-----|---|---|
|  | EX9 |  | L |
|---|-----|---|---|



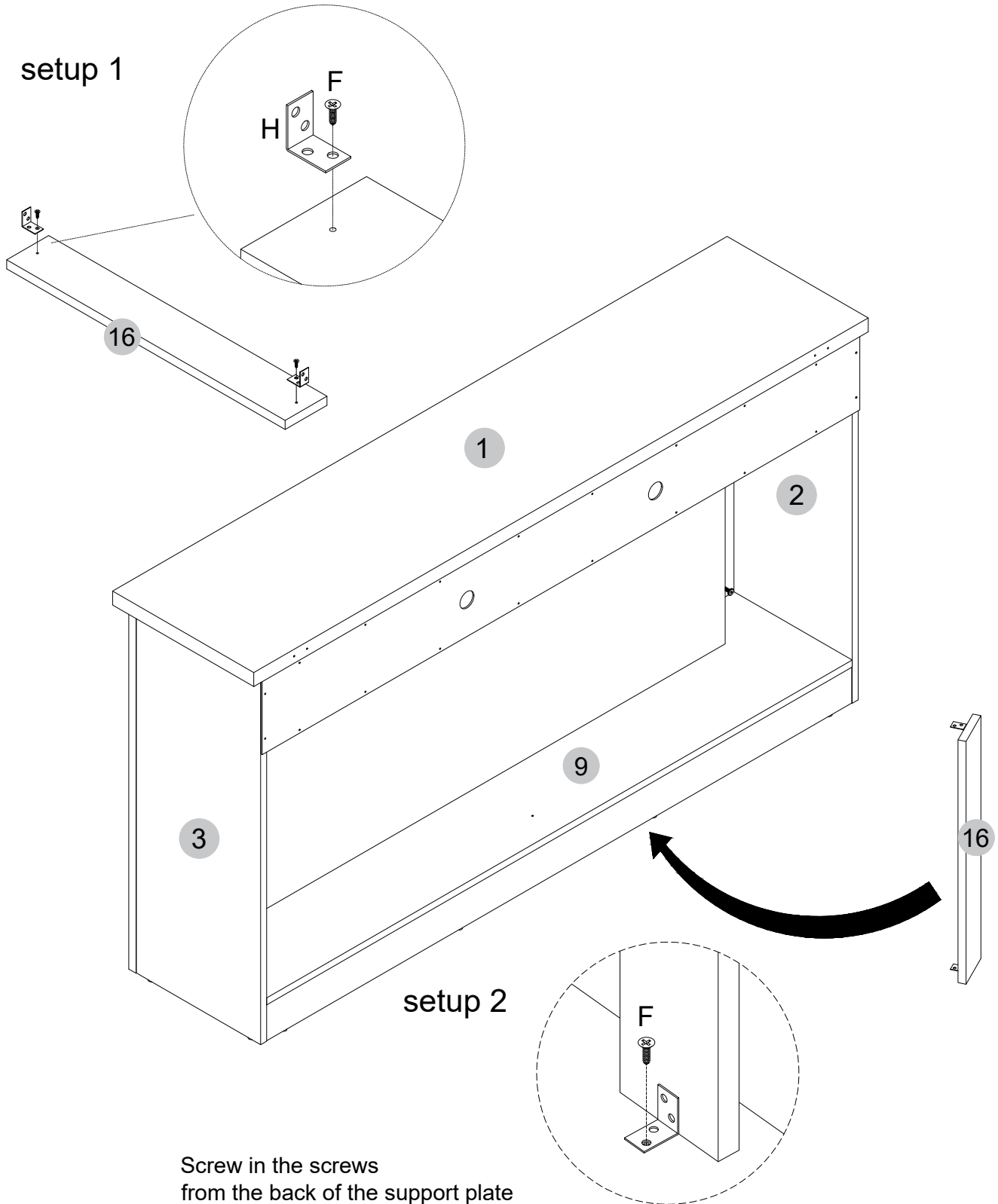
Screw in the screws from the back of the cabinet and connect them to the marble decorative strip

Back install

# STEP 23

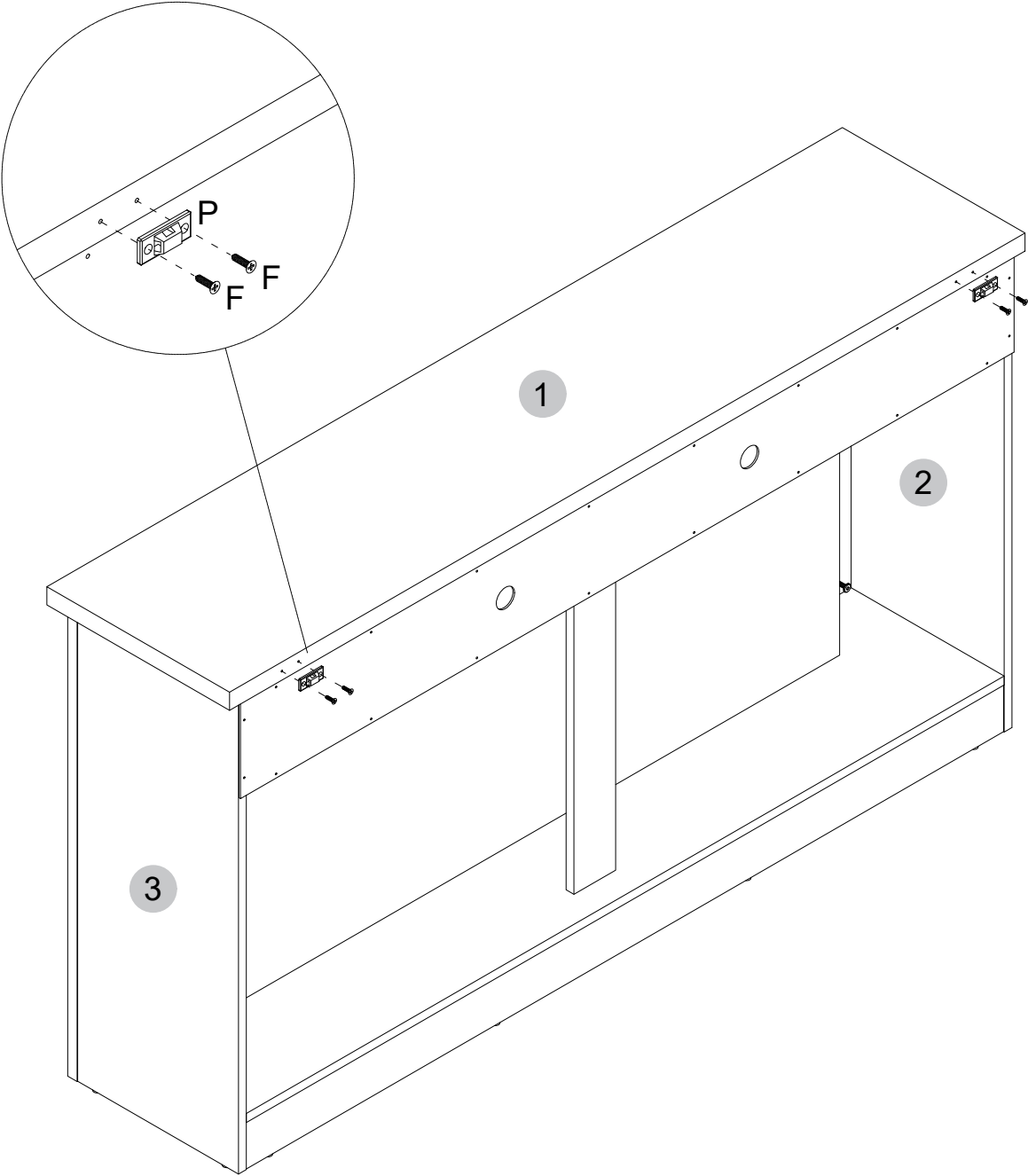


setup 1

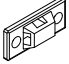
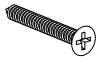

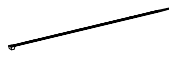


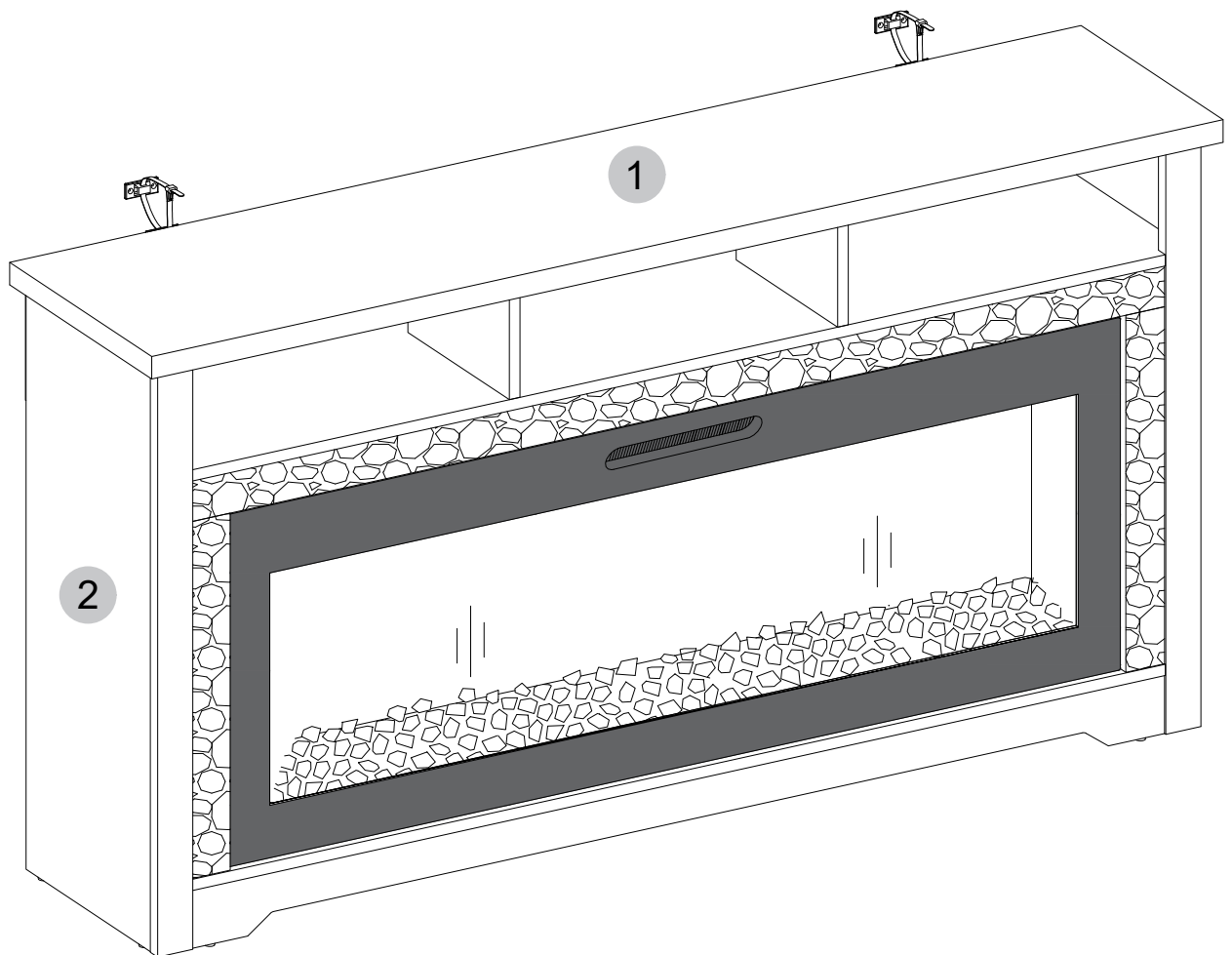
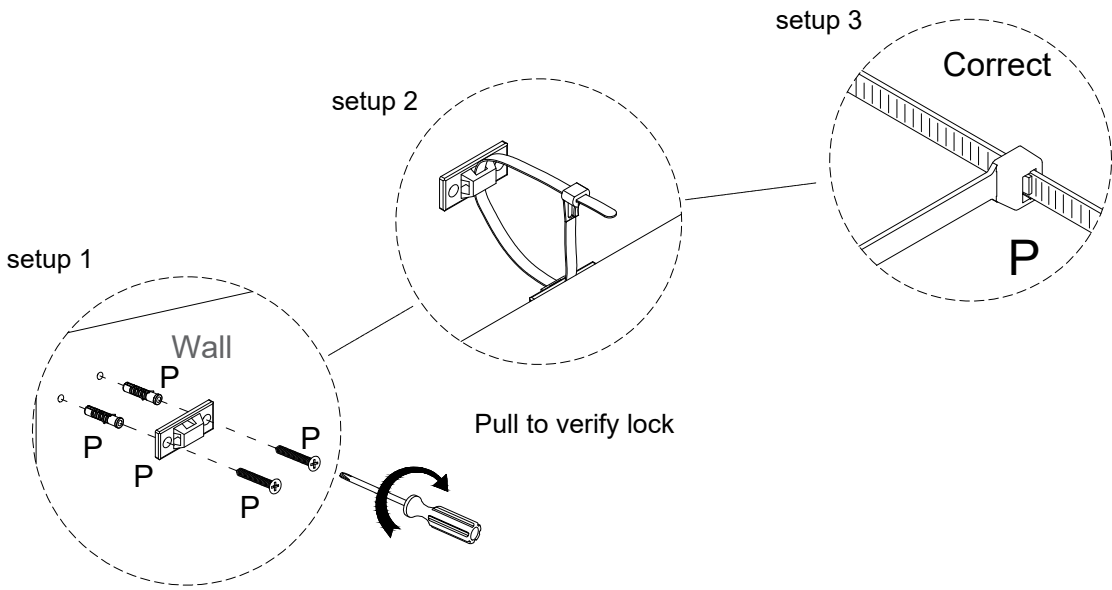
# STEP 24

|   |       |   |       |
|---|-------|---|-------|
|  | P X 2 |  | F X 4 |
|---|-------|---|-------|

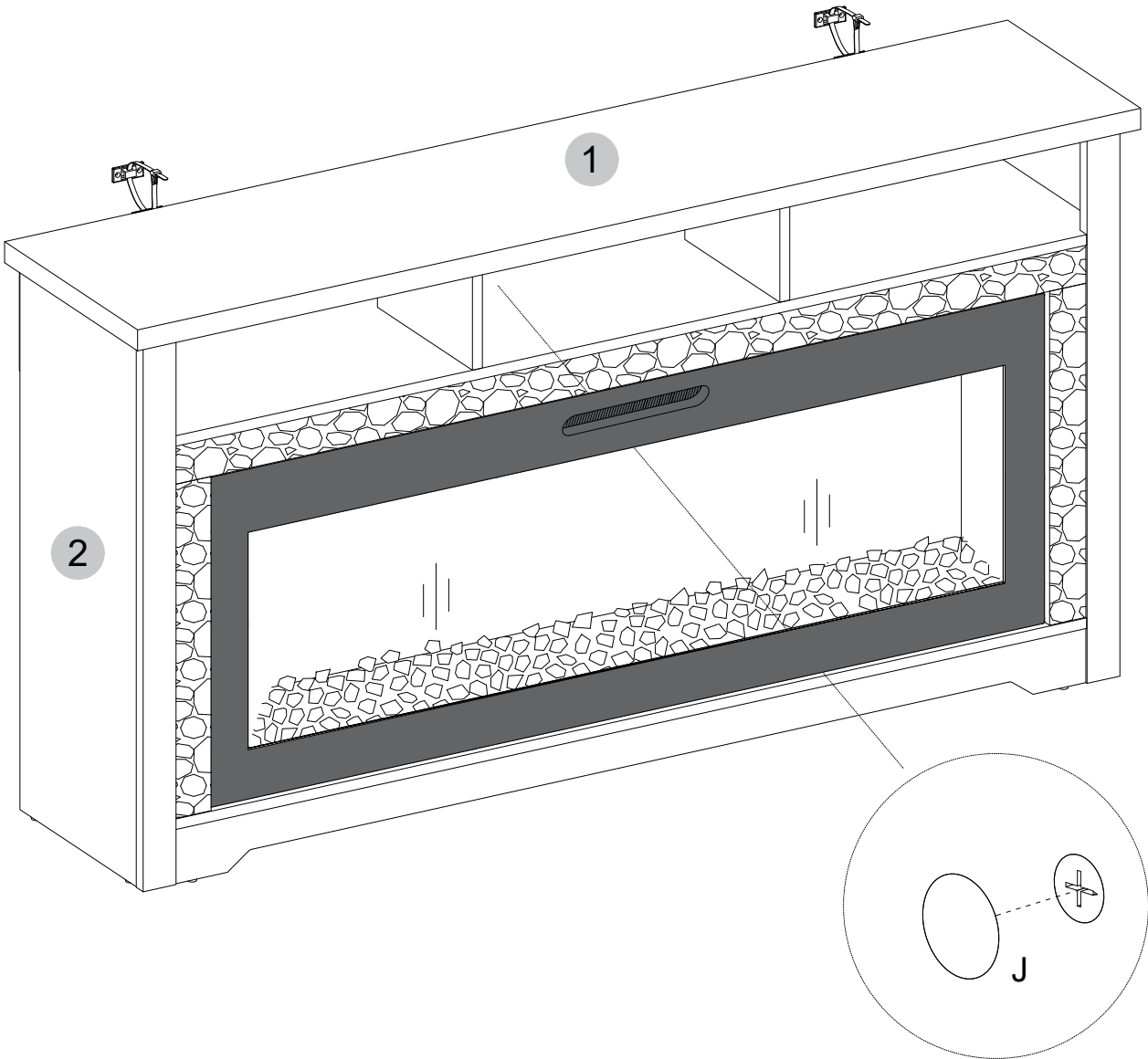
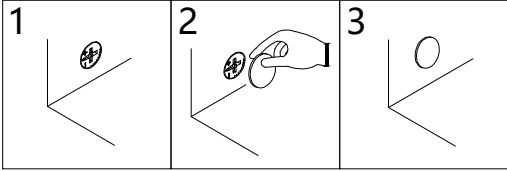
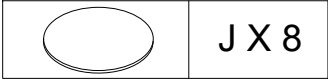


# STEP 25

|   |       |   |       |   |       |   |       |
|---|-------|---|-------|---|-------|---|-------|
|  | P X 2 |  | P X 4 |  | P X 4 |  | P X 2 |
|---|-------|---|-------|---|-------|---|-------|



# STEP 26



Congratulations! You have completed the assembly.